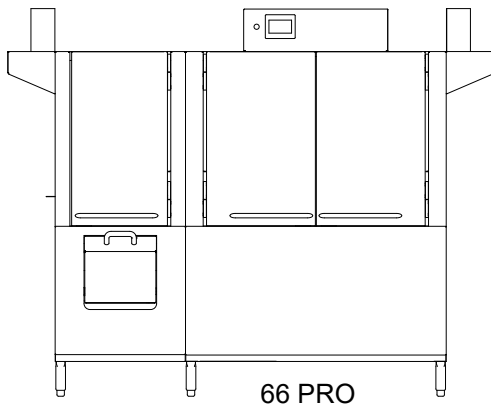
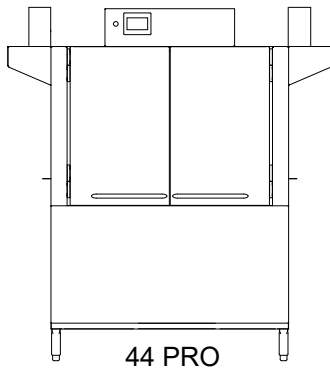


Champion®

Service Replacement Parts



PRO Series Standard and Ventless Heat Recovery Rack Conveyor Dishwashers

Standard Models

44 PRO	54 PRO	66 PRO
66FF PRO	76 PRO	
76FF PRO	80HD PRO	

VHR Models

44 PRO-VHR	54 PRO-VHR	66 PRO-VHR
76 PRO-VHR	66FF PRO-VHR	76FF PRO-VHR
80HD PRO-VHR		



www.championindustries.com

Issue Date: 6.24.24

Manual P/N 117596 rev. -

For machines beginning with S/N RP231114570 and above

3765 Champion Boulevard
Winston-Salem, NC 27105
PH: (336) 661-1556
Fax: (336) 661-1660
Toll-free: 1(800) 858-4477

2674 N. Service Road, Jordan Station
Ontario, Canada L0R 1S0
Ph: (905) 562-4195
Fax: (905) 562-4618
Toll-free: 1(800) 263-5798

National Service Department

In Canada:

Toll-free: 1 (800) 263-5798

Tel: (905) 562-4195

Fax: (905) 562-4618

email: service@moyerdiebellimited.com

In the USA:

Toll-free: 1 (800) 858-4477

Tel: (336) 661-1556

Fax: (336) 661-1660

email: service@championindustries.com

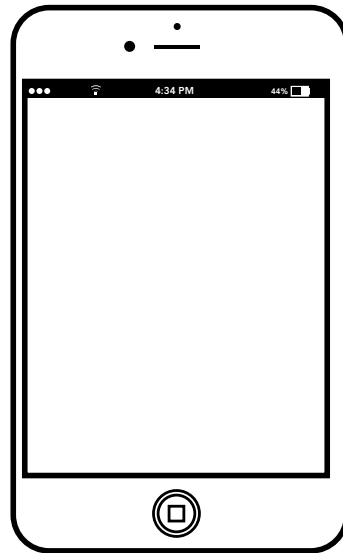
ATTENTION:

The dishwasher model number, serial number, voltage, hertz and phase are needed to identify your machine.

Please have this information on-hand if you call for service assistance.



REGISTER YOUR PRODUCT and ACTIVATE YOUR WARRANTY.



- Use your mobile phone or computer and go to the website at www.championindustries.com and register your product.
- or
- Scan the QR code <http://champdw.us/PRO> located near the data plate.

PRODUCT REGISTRATION BY FAX

COMPLETE THIS FORM AND FAX TO:

(336) 661-1660 in the USA

1-(800) 204-0109 in Canada

PRODUCT REGISTRATION CARD

Model

Serial #

Date of Installation: ___/___/___

Company Name: _____

Address: _____
(Street) State/Province Zip/Postal Code

Telephone #: () _____ --- _____

Contact: _____

Installation Company: _____

Address: _____

Telephone #: _____

Contact: _____

FAILURE TO REGISTER YOUR PRODUCT MAY VOID YOUR WARRANTY

IMPORTANT IMPORTANT

Revision History

Specifications are subject to change based on continual product improvement. Equipment owners may request a revised manual, at no charge, by calling 1 (800) 858-4477 in the USA or 1(800) 263-5798 in Canada.

Revision Date	Revised Pages	Serial Number Effectivity	Description
6.24.24	All	RP23114570	Released Second Edition

LIMITED WARRANTY

Champion Industries, Bi-Line Systems (herein referred to as ("The Companies"), 3765 Champion Blvd., Winston-Salem, North Carolina, 27105) warrants machines and parts, as set out below:

WARRANTY OF MACHINES: The Companies warrant all new machines of its manufacture bearing the name Champion or Bi-Line and installed within the United States to be free from defects in material and workmanship for a period of one (1) year from the date of installation or fifteen (15) months from the date of shipment by The Companies, whichever occurs first. This Limited Warranty does not cover products shipped outside of the United States. The warranty registration card must be returned to The Companies within ten (10) days after installation or registered online at www.championindustries.com/warranty-registration for the United States; or by fax using the form provided at the front of this manual. If the warranty card, fax, or email are not sent to The Companies within fifteen (15) days, then the warranty will expire after fifteen (15) months from the date of shipment. The Companies will not assume any responsibility for additional installation costs in any area with jurisdictional problems with local trades or unions. The Companies reserves the right to repair or replace a defective part or the entire machine, if a defect in workmanship or material is identified within the warranty period. Alternatively, The Companies may elect to accept the return of the machine for a full credit. In the event If The Companies elect to repair then the labor and work performed in connection with the warranty shall be done by The Companies' authorized service agent during regular working hours and at regular labor rates. Overtime charges are the responsibility of the equipment purchaser. Warranty travel is covered up to fifty (50) miles from the authorized service technician's servicing office. If travel exceeds fifty (50) miles, the end user will be responsible for any additional travel expense. Service calls initiated under warranty and found not to contain any defects in materials or workmanship, will not be covered by The Companies warranty. Defective parts become the property of The Companies. Use of non-OEM replacement parts, not authorized by The Companies, will relieve The Companies of all further liability in connection with its warranty. In no event, will The Companies' warranty obligation exceed the charge for the machine. Machines that come with a factory-paid start-up will be limited to one (1) authorized service call for start-up. Installation problems or delays, of any kind, will not be covered by The Companies' warranty and will be the sole responsibility of the equipment purchaser.

THE WARRANTY DOES NOT COVER:

- a. Chemical tubing, chemical squeeze tubes, O-rings, or curtains.
- b. Vacuum breakers.
- c. Adjustments to structural or mechanical components covered by recommended maintenance procedures.
- d. Replacement of fuses, resetting of overload breakers, or high-limit thermostats.
- e. Adjustments of thermostats or other temperature controlling devices.
- f. Adjustments of clutches.
- g. Adjustments of water pressure(s).
- h. Adjustments of factory chemical pumps and settings.
- i. Opening or closing of utility supply valves or switching of electrical supply current.
- j. Cleaning of valves, strainers, screens, nozzles, or spray pipes.
- k. Regular maintenance and cleaning as outlined in the operator's guide.

- l. Damages resulting from water conditions, accidents, alterations, improper use, abuse, tampering, improper installation, under or over voltage conditions, power surges, inadequate wiring, outdoor use, or failure to follow maintenance and operation procedures.
- m. Pulper cutter blocks, pulse vanes, and auger brush due to wear and tear.
- n. Damages due to improper storage.
- o. Special installations or applications, including remote locations, are limited in coverage by this warranty.
- p. Any installation that requires additional work and/or travel to gain access to a machine for service is the sole responsibility of the equipment purchaser.

THE FOLLOWING DEFECTS ARE NOT COVERED BY THE WARRANTY:

1. Damage to the exterior or interior finish.
2. Damage caused by improper connection to utility service other than that designated on the rating plate.
3. Inadequate or excessive water pressure.
4. Corrosion due to foreign materials, improper water supplies, improper chemicals, or chemicals dispensed in excess of recommended concentrations.
5. Failure of components due to the connection of third-party chemical dispensing equipment installed by others.
6. Leaks and damage due to the use of non-specified water quality.
7. Leaks and damage caused by the installer, including machine table connections.
8. Leaks or damage caused by chemical dispensing equipment connections installed by others.
9. Failure to comply with all local building codes.
10. Damage caused by labor dispute.

WARRANTY OF PARTS: The Companies warrant all new machine parts produced or authorized by The Companies to be free from defects in material and workmanship for a period of ninety (90) days from the date of invoice. If any parts defect in material and workmanship is found to exist within the warranty period, then The Companies will refund the cost of the defective part.

DISCLAIMER OF WARRANTIES AND LIMITATIONS OF LIABILITY. THE COMPANIES' WARRANTY IS ONLY TO THE EXTENT REFLECTED ABOVE. THE COMPANIES MAKE NO OTHER WARRANTIES, EXPRESS OR IMPLIED, INCLUDING, BUT NOT LIMITED TO ANY WARRANTY OF MERCHANTABILITY OR FITNESS OF PURPOSE. THE COMPANIES SHALL NOT BE LIABLE FOR INCIDENTAL OR CONSEQUENTIAL DAMAGES. THE REMEDIES SET OUT ABOVE ARE THE EXCLUSIVE REMEDIES FOR ANY DEFECTS FOUND TO EXIST IN MACHINES AND PARTS OF THE COMPANIES. ALL OTHER REMEDIES ARE EXCLUDED, INCLUDING ANY LIABILITY FOR INCIDENTALS OR CONSEQUENTIAL DAMAGES.

Champion Industries or Bi-Line Systems does not authorize any other person, including persons who deal in Champion Industries or Bi-Line Systems machines, to change this warranty or create any other obligation in connection with Champion Industries or Bi-Line Systems machines.

Table of Contents - Service Replacement Parts

Product Registration	i
Revision History.....	iii
Limited Warranty	iv

Illustration	Pg.
Curtain Placement.....	2
Control Cabinet.....	4
Single Tank Standard Control Cabinet	6
Single Tank VHR Control Cabinet	8
Lower Junction Box	10
Panels Curtains and Screens - 22PW, 22PW-VHR, 36PW, 36PW-VHR	12
Panels Curtains,and Screens - 22PW Front Feed	14
Single Tank Panels and Curtains.....	16
Tank Scrap Screens	18
Float Switches, Thermostats	20
Wash Arms	22
Final Rinse Arms	24
Fill/Final Rinse Piping (no booster).....	26
Non -VHR Fill Piping.....	28
Non -VHR Final Rinse Piping (with booster)	30
Non -VHR Fill Piping (with booster).....	32
VHR - Final Rinse Piping with Remote Vacuum Breaker	34
VHR - Cold Water Sub-assembly	36
VHR - Auto Modulating Discharge Valve	38
VHR - Fill Piping Assembly (One Tank).....	40
VHR - Booster Piping, Main Connection Sub-assembly.....	42
Wash Tank Heaters	44
Electric Booster	46
Pawl Bars and Tracks.....	48
Drive Arm Install Continual Drive Assembly	50
Clutch Style - Continual Drive Assembly	52
Wash/Prewash Pump and Motor.....	54
Pump Installations	56

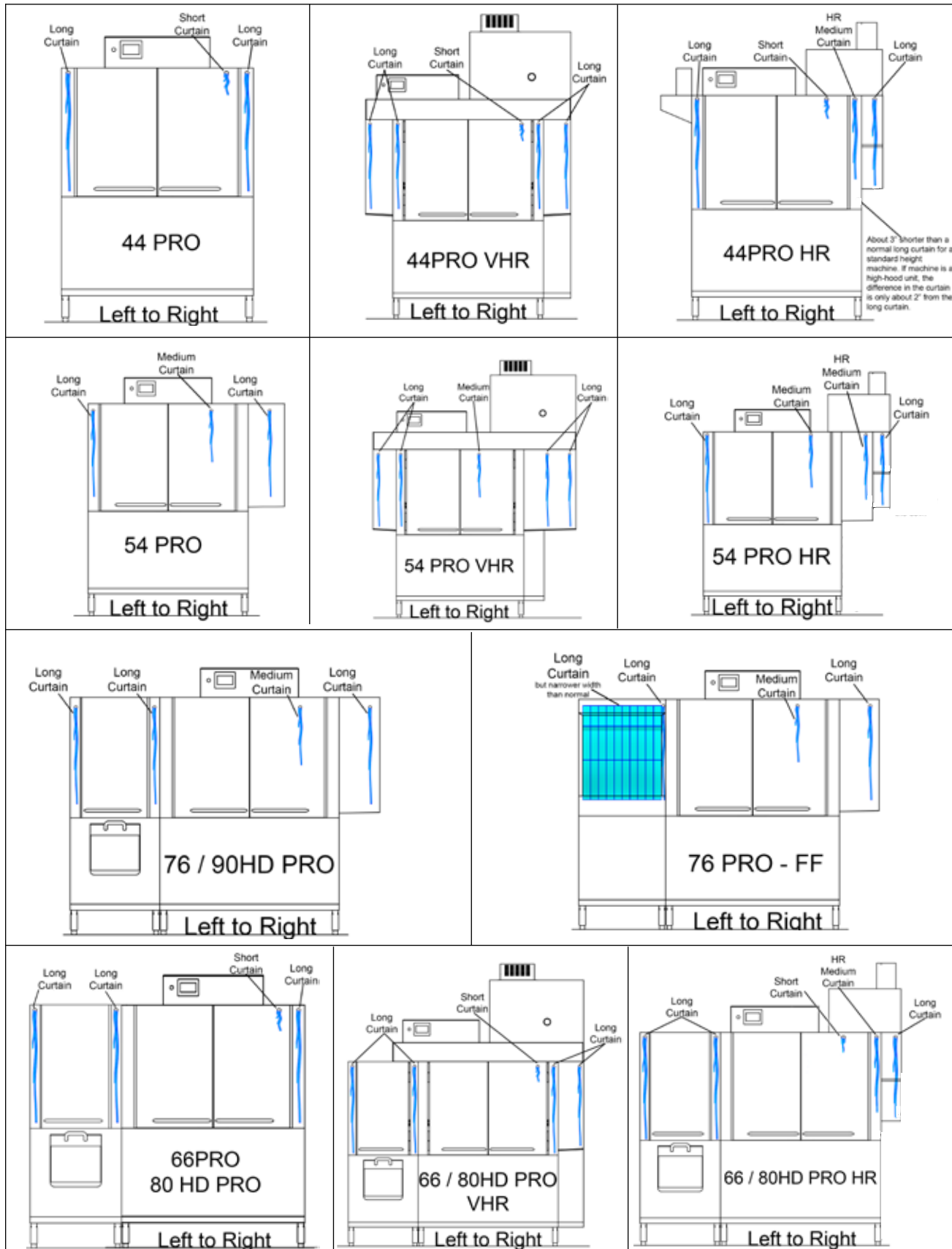
Continued on next page.

Service Replacement Parts

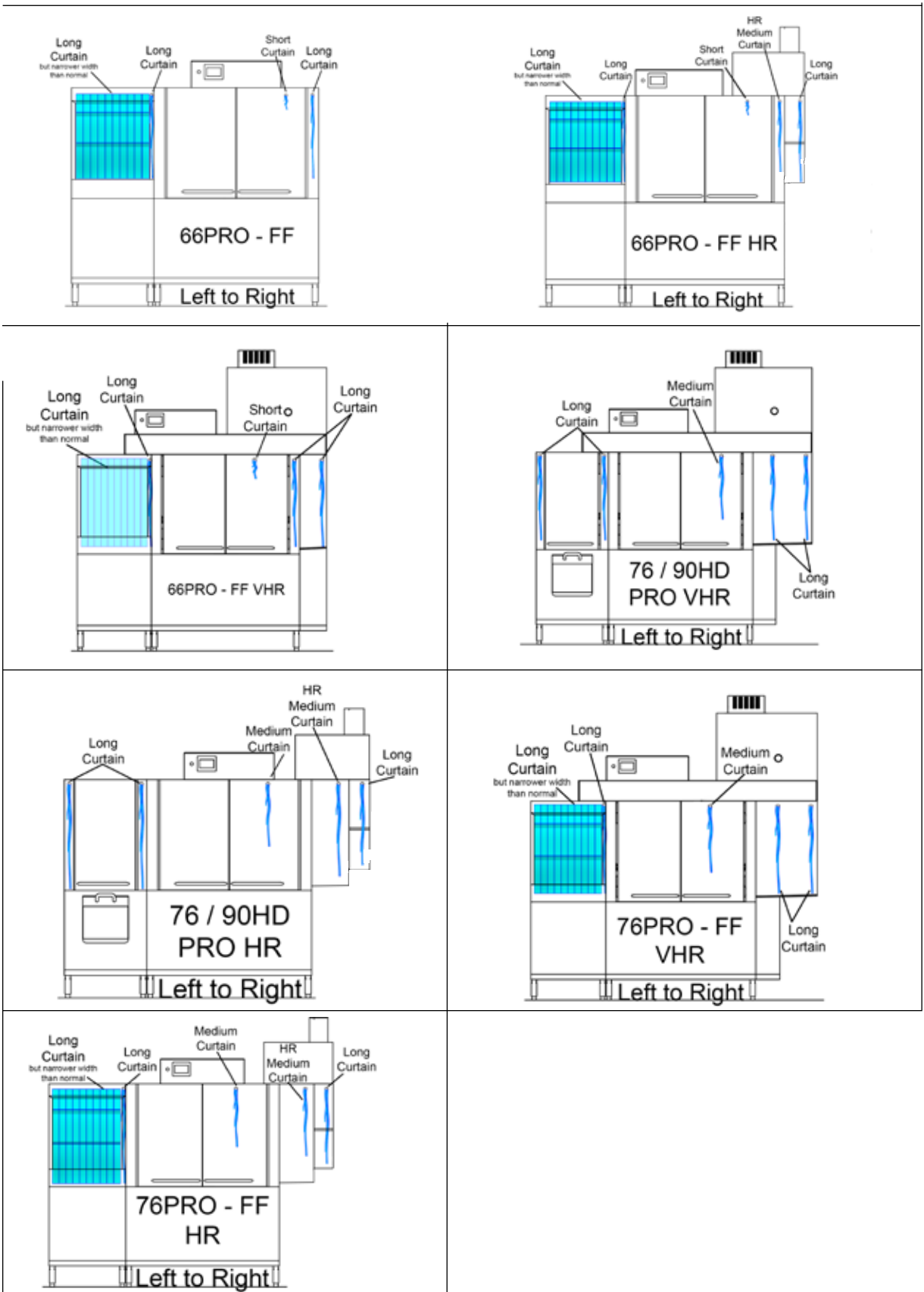
Illustration	Pg.
VHR - Recirculation Pump Install	58
44/54PRO without Prewash Drain Assembly	60
44/54PRO with Prewash Drain Assembly	62
Prewash Drain Assembly - (All Models)	64
Wash Steam Coil - (no booster piping).....	66
Steam Booster - Thrush Model 1200	68
VHR - Heat Pump Assembly	72
Wash Door with Bolt-on Center Strip.....	74
22" and 26" Prewash Doors	76
Heat Recover Unit (HRU) Assembly.....	78
Heat Recovery Unit (HRU) Fill Piping.....	80
Full Height and Long Vent Cowls (EXCEPT FOR VHR)	82
Heat Recovery Unit (HRU) Vent Cowls (EXCEPT FOR VHR)	84
Standard Vent Cowls/Splash Shields	86
Dish Racks	88
Ion Water Conditioner and Drain Water Tempering Kit.....	90
44PRO - VHR Hose Plumbing Diagram.....	93
44PRO - Hose Plumbing Diagram with Booster, Standard or High Hood	94
44PRO - Hose Plumbing Diagram, No Booster.....	95
54PRO - VHR Hose Plumbing Diagram.....	96
54PRO - Hose Plumbing Diagram with Booster, Standard or High Hood	97
54PRO - Hose Plumbing Diagram, No Booster.....	98

**This page
intentionally
left blank.**

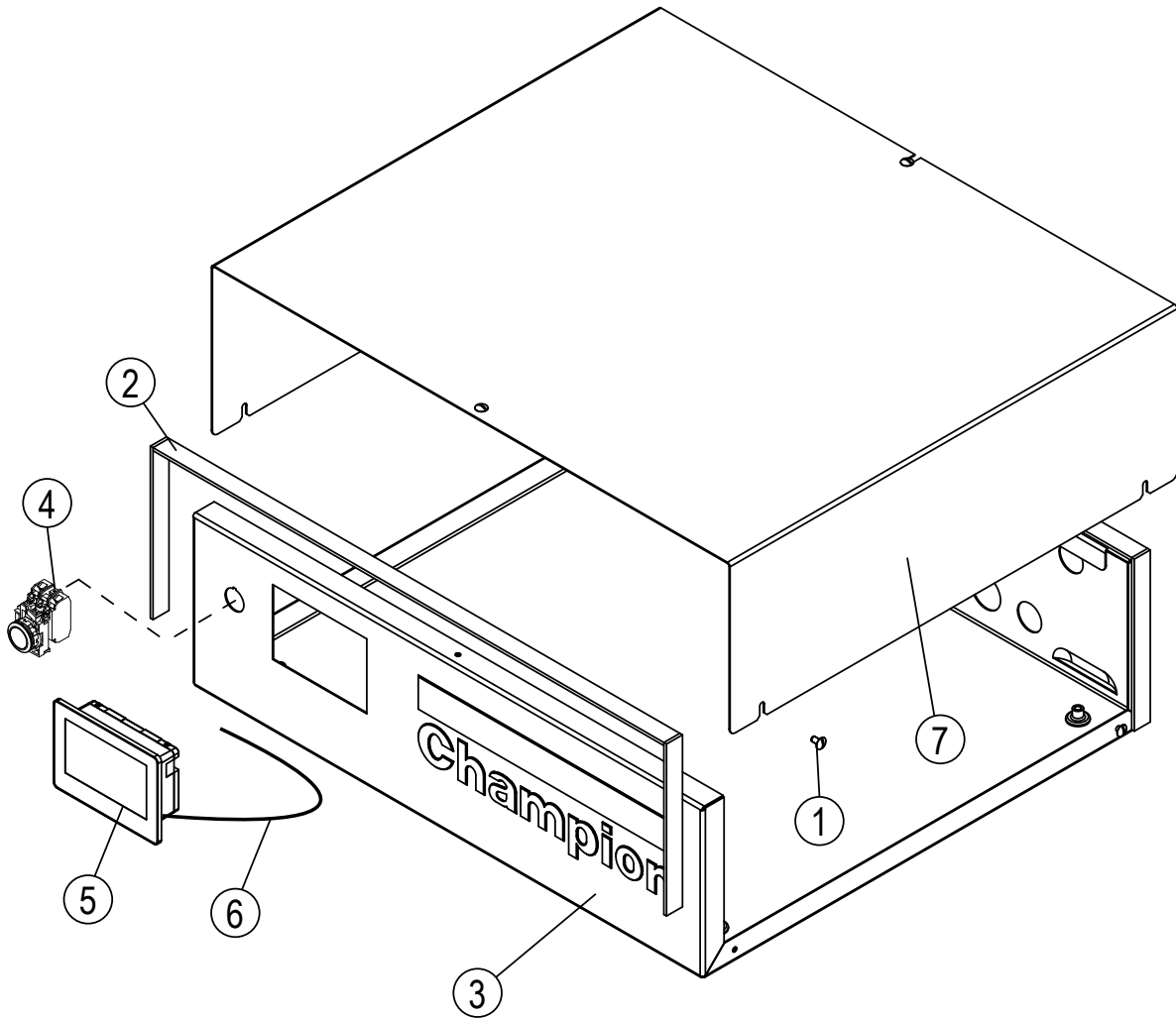
CURTAIN PLACEMENT



CURTAIN Placement - (continued)



Control Cabinet



Item No.	Part No.	Description	Qty.
1	112318	SCREW, 1/4 X 1/2", HEX WASHER, HEAD	6
2	107431	GASKET, SEAM, 1/8" X 3/4" PORON	1
3	116677	LABEL, CHAMPION LOGO,	1
4	116852	COMPLETE ASSEMBLY, GREEN PUSH BUTTON	1
5	116889	HM1, SCHNEIDER, PROFACE, PFXXGP4114T2D	1
6	116919	NETWORK CABLE, PLC TO HM1	1
7	339542	COVER, 24" CONTROL CABINET COVER	1

Single Tank Standard Control Cabinet

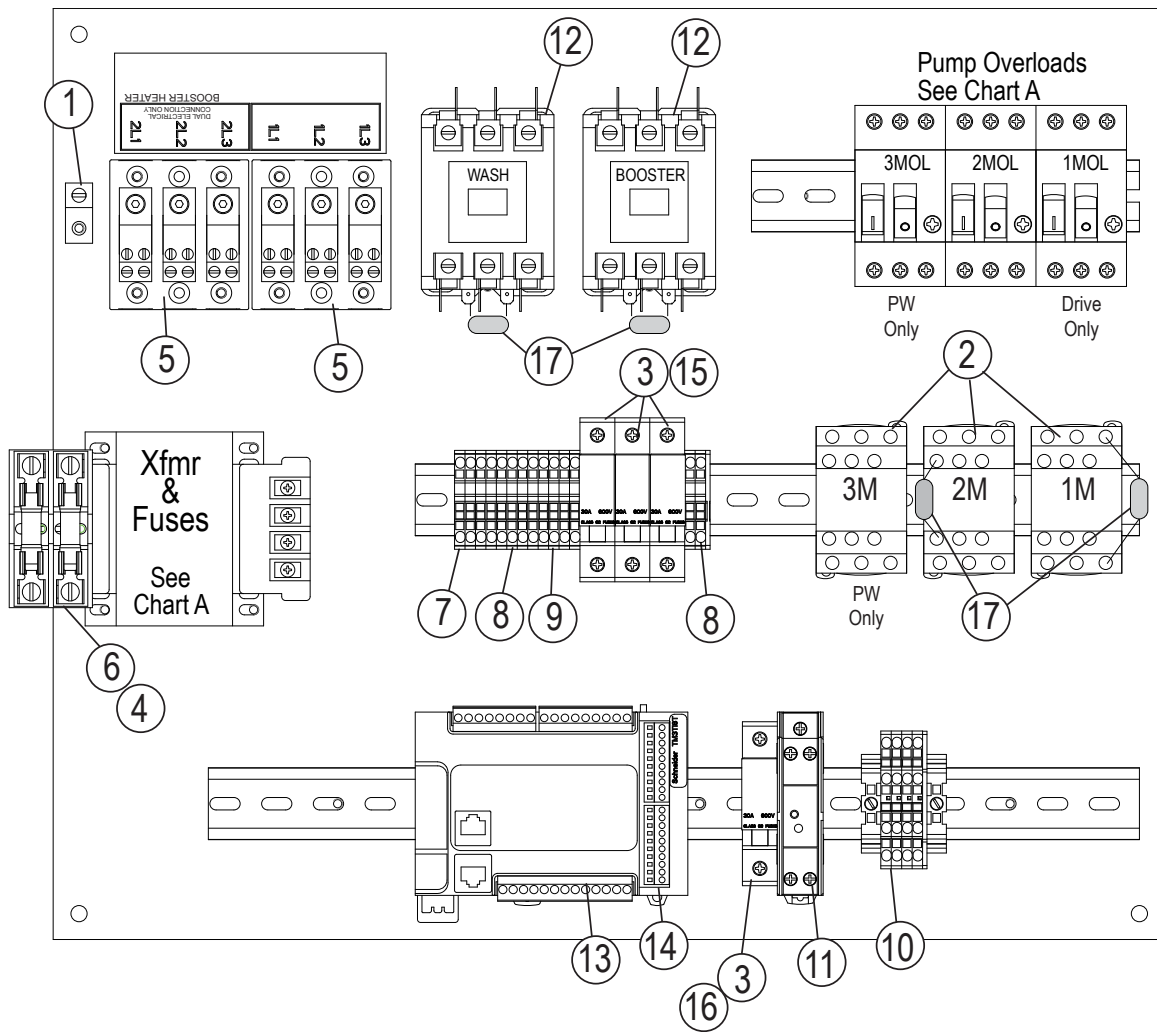


Chart A

Transformer - Fuses - Pump Overloads				
Supplied Power	Xfmr	Xfmr Fuses	Wash Pump Overloads	Drive Overloads
208/60/1	109064	112482 (3.5A)	113161	111625
240/60/1	109064	112482 (3.5A)	113161	111625
208/60/3	109064	112482 (3.5A)	111629	111624
240/60/3	109064	112482 (3.5A)	111629	111624
480/60/3	109064	112484 (1.5A)	111627	111623
575/60/3	111521	112901 (1.0A)	111627	111622

Item No.	Part No.	Description	Qty.
1	103310	LUG, GROUND	1
2	108122	CONTACTOR, 3-POLE	3
3	111153	FUSE HOLDER ASSEMBLY	4
4	112424	FUSE BLOCK KIT	1
5	111833	INPUT TERMINAL BLOCK	2
6	112424	FUSE BLOCK, 2-POLE	2
7	114512	TERMINAL BLOCK, GREY	5
8	114514	TERMINAL BLOCK, WHITE	6
9	114515	TERMINAL BLOCK, GREEN	3
10	114517	TERMINAL BLOCK, TWO TIER	4
11	115607	SLIM, 24V 30W, POWER SUPPLY, PS5R-SC24	1
12	116166	CONTACTOR, 60FLA 3-POLE, 120V COIL	2
13	116888	PLC, SCHNEIDER, TM221CE24R	1
14	116891	THERMISTOR MODULE, SCHNEIDER TM3T18	1
15	116213	FUSE, LPCC 0.5A	3
16	112901	FUSE, LPCC 1.0A	1
17	113271	SUPPRESSOR, ARC, 0.1UF & 47Ω	4

Single Tank VHR Control Cabinet

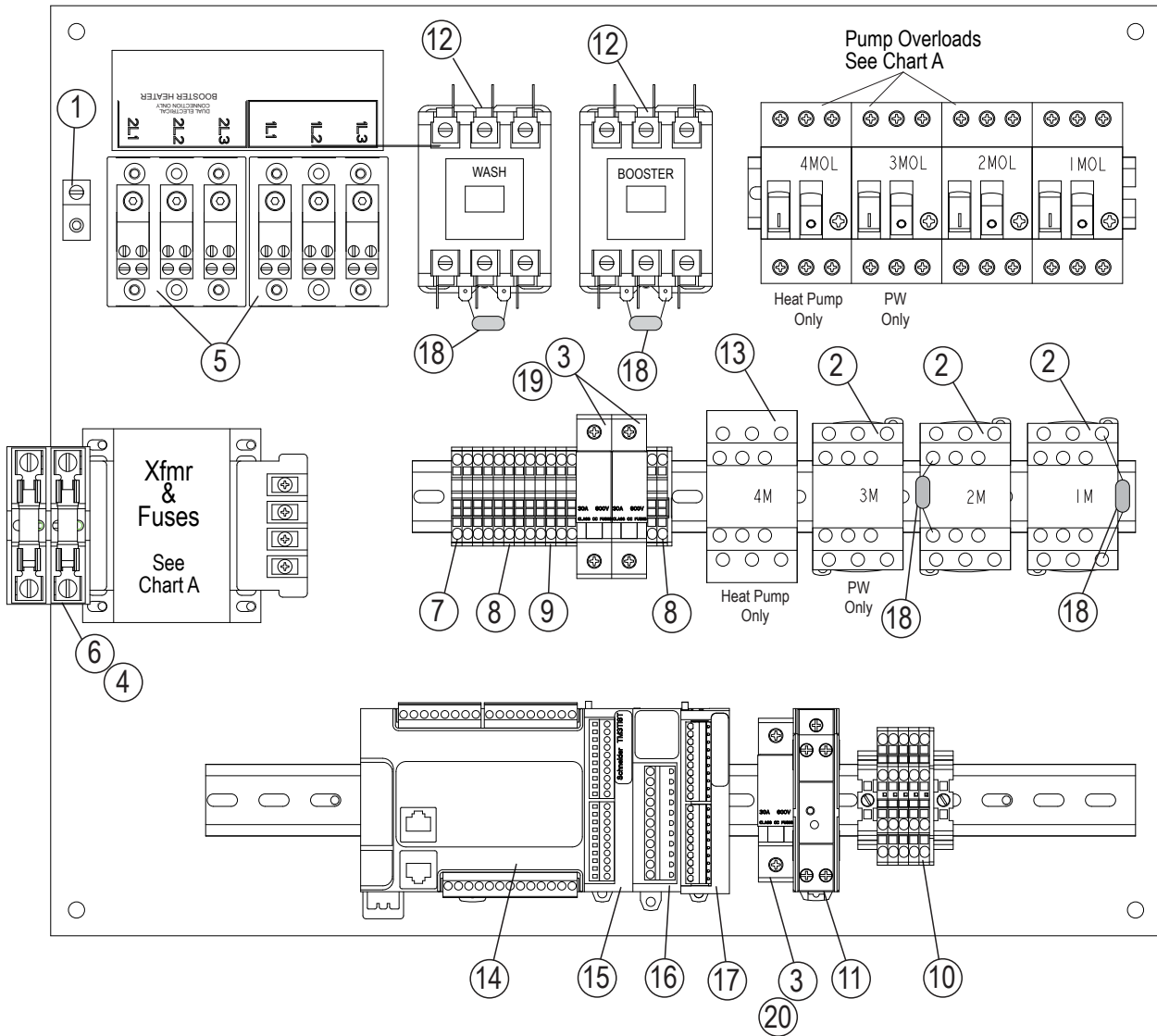
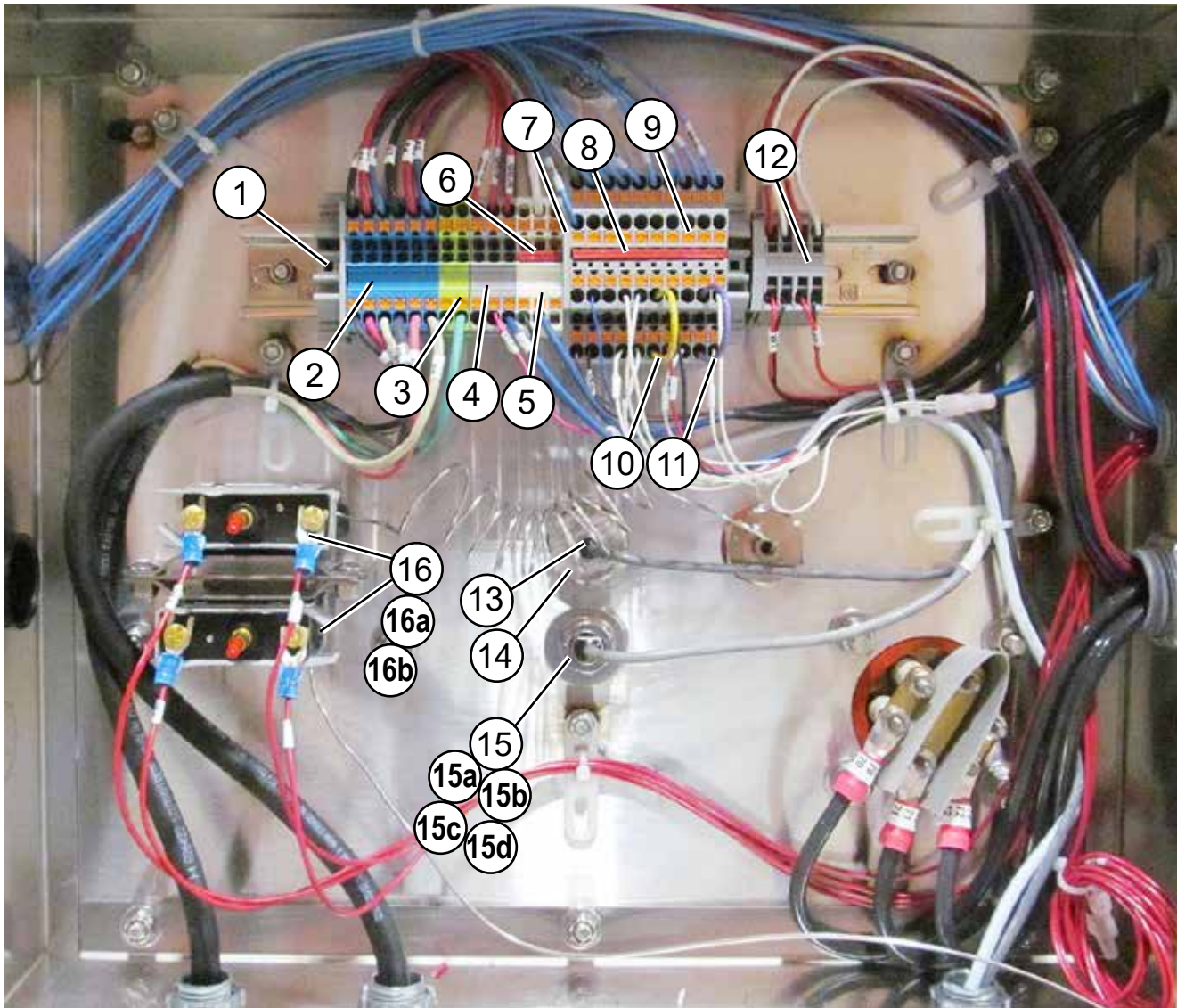


Chart A

Transformer	Fuses		Overloads		
Supplied Power	Xfmr	Xfmr Fuses	Wash Pump Overloads	Heat Pump Overloads	Drive Overloads
208/60/3	109064	112482 (3.5A)	111629	111636	111624
240/60/3	109064	112482 (3.5A)	111629	111636	111624
480/60/3	109064	112484 (1.5A)	111627	111630	111623
575/60/3	111521	112901 (1.0A)	111627	-----	111622

Item No.	Part No.	Description	Qty.
1	103310	LUG, GROUND	1
2	108122	CONTACTOR, 3-POLE	4
3	111153	FUSE HOLDER ASSEMBLY	3
4	112424	FUSE BLOCK KIT	1
5	111833	INPUT TERMINAL BLOCK	2
6	112424	FUSE BLOCK, 2-POLE	2
7	114512	TERMINAL BLOCK, GREY	5
8	114514	TERMINAL BLOCK, WHITE	6
9	114515	TERMINAL BLOCK, GREEN	3
10	114517	TERMINAL BLOCK, TWO TIER	5
11	115607	SLIM, 24V 30W, POWER SUPPLY, PS5R-SC24	1
12	116166	CONTACTOR, 60FLA 3-POLE, 120V COIL	2
13	116634	CONTACTOR, 32A, 120V COIL	1
14	116888	PLC, SCHNEIDER, TM221CE24R	1
15	116891	THERMISTOR MODULE, SCHNEIDER TM3T18	1
16	116934	8PT RELAY OUTPUT MODULE, SCHNEIDER	1
17	116961	ANALOG INPUT/OUTPUT MODULE, SCHNEIDER, TM3AM6G	1
18	113271	SUPPRESSOR, ARC, 0.1UF & 47Ω	4
19	116213	FUSE, LPCC 0.5A	2
20	112901	FUSE, LPCC 1.0A	2

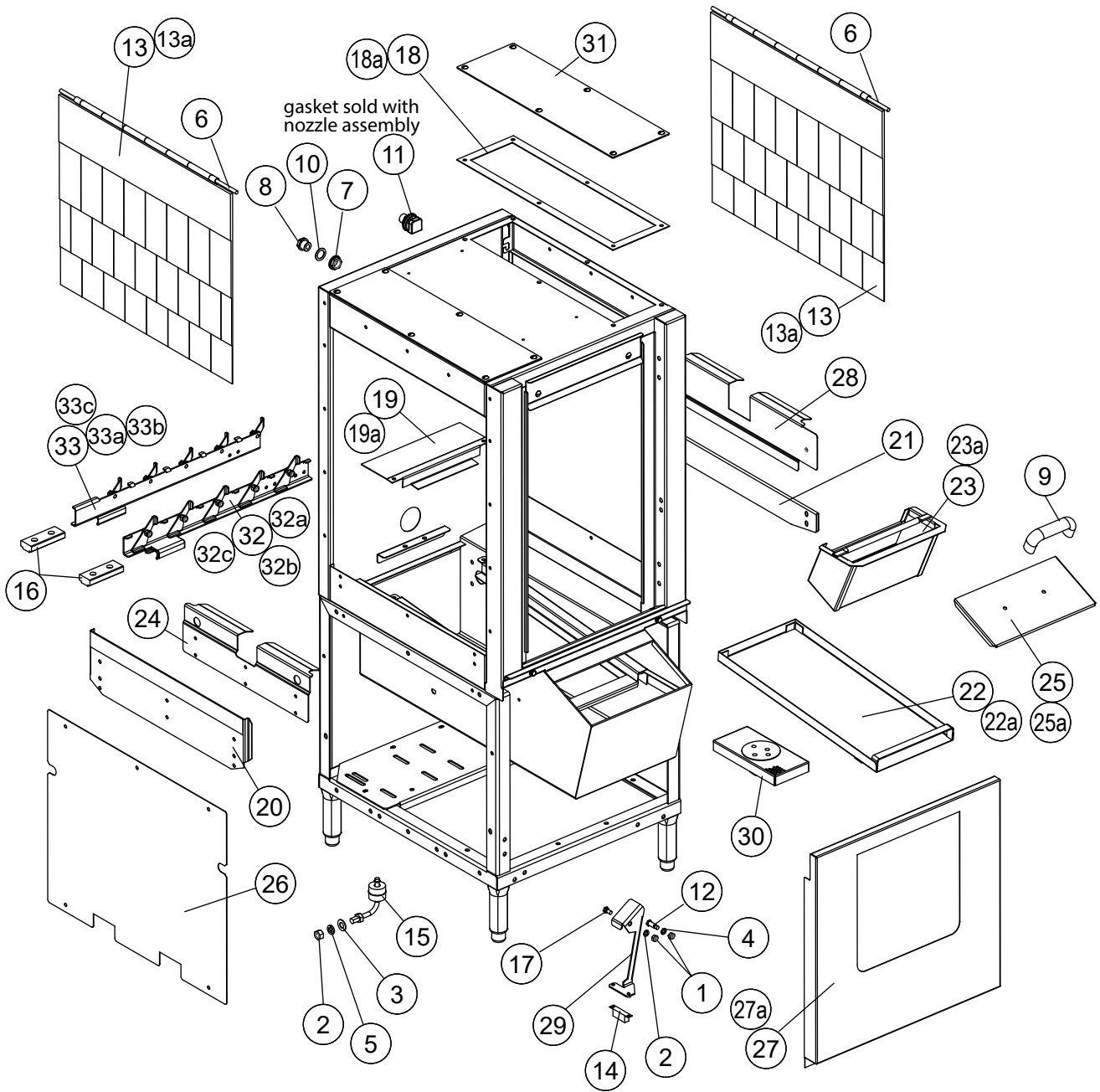
Lower Junction Box



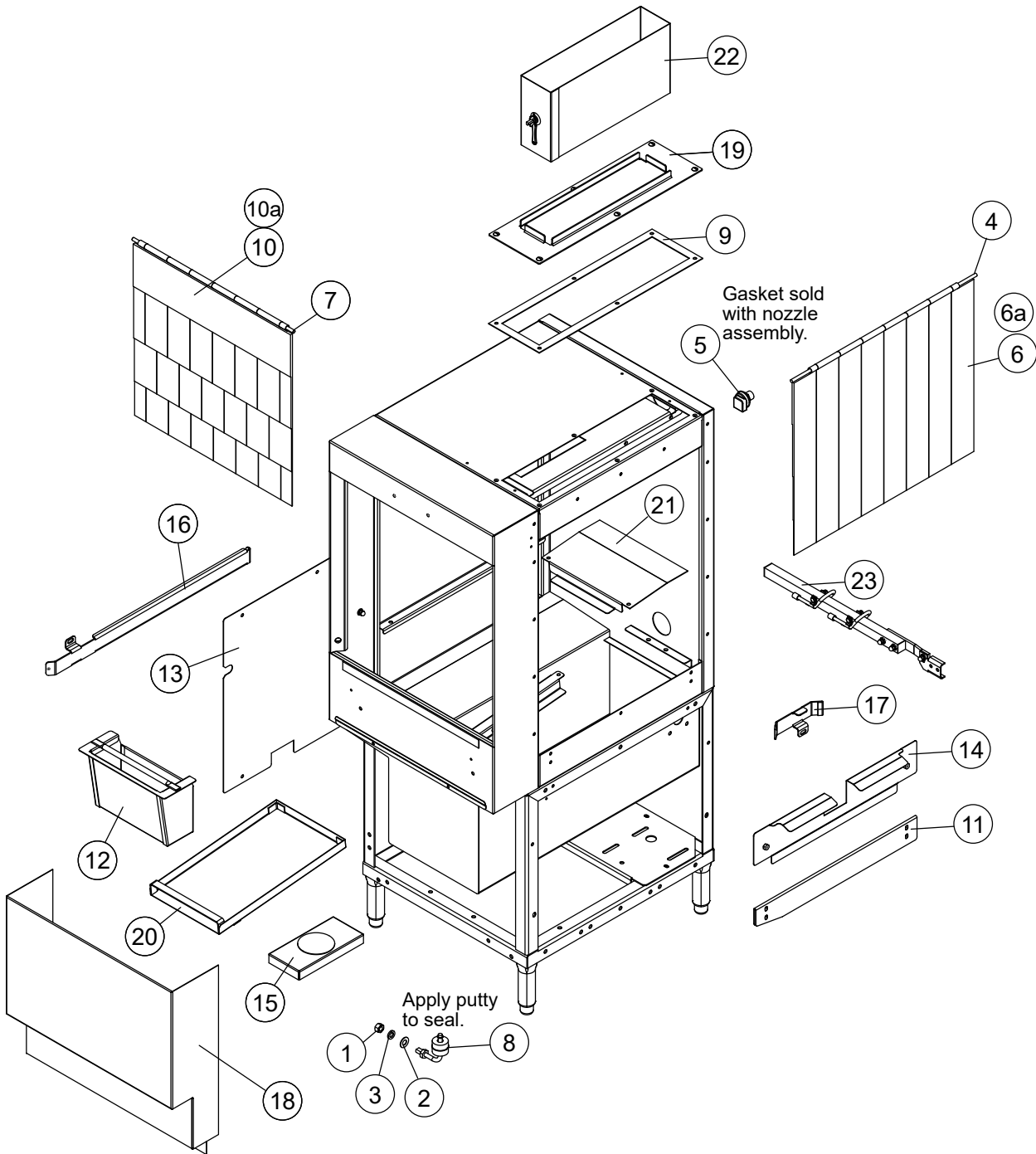
Item No.	Part No.	Description	Qty.
1	114519	END BLOCK	2
2	114513	TERMINAL, SINGLE (BLUE)	6
3	114515	TERMINAL BLOCK, GREEN	2
4	114512	TERMINAL, (GRAY)	4
5	114514	TERMINAL, (WHITE)	3
6	114524	BRIDGE, 3 POLE	1
7	114518	END COVER, DOUBLE TERMINAL	1
8	114522	BRIDGE, 10 POLE	1
9	114517	TERMINAL, DOUBLE	10
10	-----	YELLOW TABLE LIMIT SWITCH JUMPER	1
11	-----	PURPLE ANTI-JAM SWITCH JUMPER	1
12	114520	TERMINAL SINGLE	4
13	114435	THERMISTOR, 10k Ω , 36" LEAD	1
14	115530	ADAPTER	1
15	113291	FLOAT SWITCH, DUAL	1
15a	104882	WASHER, FLAT 1/2" SST	2
15b	107589	WASHER, LOCK 1/2" SST	1
15c	104584	NUT, PLAIN 1/2-13	1
15d	110750	GASKET, FLOAT SWITCH (NOT SHOWN)	1
16	117455	THERMOSTAT, FIXED HIGH LIMIT	1
16a	115489	O-RING	1
16b	100547	LOCKNUT, 1/2" NPT SST	1
---	337582	COVER, JUNCTION BOX, ELECTRIC HEAT (Not shown)	1
---	332974	COVER, JUNCTION BOX, STEAM HEAT	

NOTE:

TERMINAL BLOCK QUANTITIES MAY VARY DEPENDING ON MACHINE OPTIONS.

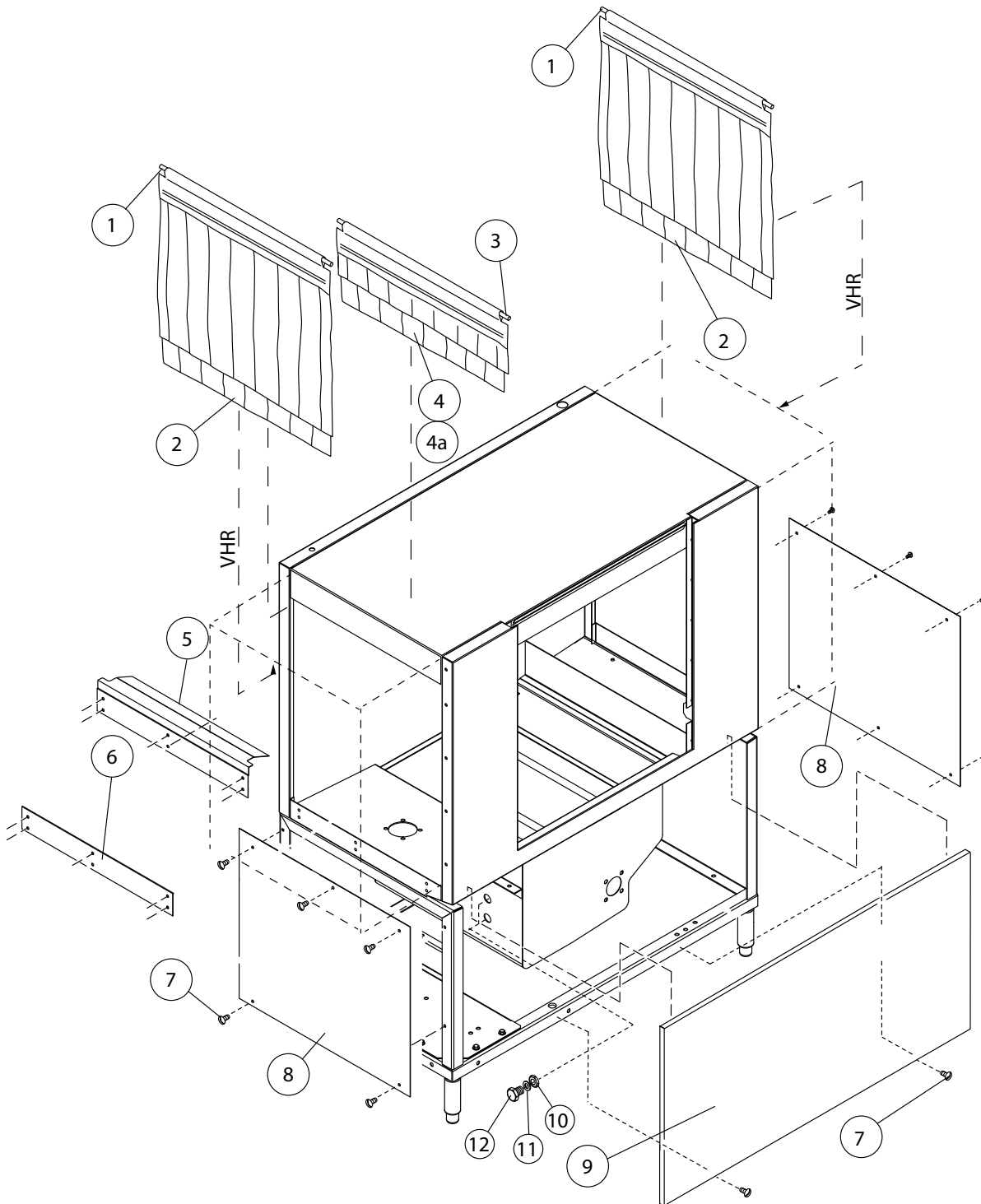


Item No.	Part No.	Description	Qty.
1	100154	HEX PLAIN NUT, 5/16-18, SST	2
2	104584	HEX PLAIN NUT, 1/2-13, SST	1
3	104882	WASHER, FLAT, SST	1
4	106013	WASHER, LOCK 5/16", SPLIT, SST	2
5	107589	WASHER, LOCK 1/2", SPLIT, SST	1
6	108250	ROD, CURTAIN, 5/16" X 25-5/8", SST	2
7	108417	LOCKNUT, 1/2" PLASTIC	1
8	108418	PLUG, 1/2" PLASTIC	1
9	108966	HANDLE, DOOR	1
10	109034	GASKET, 13/16" X 1-3/16", (1/2" PLUG)	1
11	111325	NOZZLE, FLUSH-N POLISHED CHROME	1
12	113692	SCREW, 3/8" X 3/4" X 5/16-18, SHOULDER	1
13	113720	CURTAIN, 24" X 20-1/4" 4-PLY	2
13a	114026	CURTAIN, 24" X 24-1/2" 4-PLY, HIGH HOOD	2
14	113937	MAGNET, REED SWITCH	1
15	115352	FLOAT, SWITCH	1
16	116333	BEARING, BLOCK UHMW	2
17	116470	SCREW, 3/8" X 1/8" X 5/16-18, SHOULDER	1
18	117206	GASKET, PRO-PW HOOD, TOP BLOCK-OFF, STANDARD	2
18a	117208	GASKET, PRO-PW HOOD, TOP BLOCK-OFF, VHR	1
19	328006	SUPPORT, REAR SCREEN, 22PW	1
19a	328063	SUPPORT, REAR SCREEN, 36PW	1
20	328451	TABLE, FLANGE, PREF SYSTEM	1
21	328604	U-CLIP, BLOWER- HOOD CONNECTION	1
22	328958	SCREEN, REFUSE, 22PW	1
22a	328960	SCREEN, REFUSE, 36PW	2
23	328959	REFUSE, BASKET ASSEMBLY, 22PW	1
23a	328967	REFUSE, BASKET ASSEMBLY, 36PW	1
24	329927	BAFFLE, TABLE FLANGE, W/CUT-OUT	1
25	335332	COVER, REFUSE BASKET, 22PW, HINGED DOOR	1
25a	335333	COVER, REFUSE BASKET, 36PW, HINGED DOOR	1
26	337085	PANEL, END	1
27	337213	PANEL, FRONT, 22PW	1
27a	337870	PANEL, FRONT, 36PW	1
28	337629	BAFFLE, WASH 22PW	1
29	338184-1	IDLE PUMP/FINAL RINSE LEVER, LR	1
30	341145	PUMP SUCTION SCREEN (New Style, backward compatible)	1
31	339833	HOOD TOP, BLOCK -OFF PLATE	1
32	421211	PAWL BAR ASSY., 22PW, RH GEN2	1
32a	421191	PAWL BAR ASSY., 22-VHR PW, RH GEN2	1
32b	421213	PAWL BAR ASSY., 36-PW, RH GEN2	1
32c	421215	PAWL BAR ASSY., 36-VHR, RH GEN2	1
33	421212	PAWL BAR ASSY., 22PW, LH GEN2	1
33a	421192	PAWL BAR ASSY., 22-VHR, LH GEN2	1
33b	421214	PAWL BAR ASSY., 36PW, LH GEN2	1
33c	421216	PAWL BAR ASSY., 36-VHR, LH GEN2	1



Item No.	Part No.	Description	Qty.
1	104584	HEX PLAIN NUT, 1/2-13 SST	1
2	104882	WASHER, FLAT, SPLIT SST 304	1
3	107589	WASHER LOCK, 1/2" SPLIT, SST	1
4	108250	ROD, CURTAIN, 5/16" X 24" X 24-5/8"	1
5	111325	NOZZLE, FLUSH-N POLISHED CHROME	1
6	113720	CURTAIN, 24" X 20-1/4" 4-PLY, STD. HOOD	1
6a	114026	CURTAIN, 24" X 24-1/4" 4-PLY, HIGH HOOD	1
7	113828	CURTAIN ROD, .3 ID X 21.50" 304 SST	1
8	115352	FLOAT SWITCH, E-RACK, AUX RINSE	1
9	117206	GASKET, PRO-PW HOOD, TOP BLOCK-OFF	1
10	207993	CURTAIN, MODIFIED 113720 , 22PRO-FF STD HOOD	1
10a	207934	CURTAIN, MODIFIED 114026 , 22PRO-FF HIGH HOOD	1
11	328604	U-CLIP, BLOWER HOOD CONNECTION	1
12	329492	BASKET, E26PW, REFUSE	1
13	337085	PANEL, END V2-RACK	1
14	337629	BAFFLE, WASH, 22PRO	1
15	341145	PUMP SUCTION SCREEN, PRO RACK PW	1
16	340468	GUIDE, RAIL, END, 22PRO-FF	1
17	340469	GUIDE, RAIL, CORNER, 22PRO-FF	1
18	340472	PANEL, FRONT, 22PRO-FF	1
19	340473	ADAPTER, PLATE, VENT STACK, 22PRO-FF	1
20	340731	SCREEN, REFUSE, 22PRO-FF	1
21	340733	SCREEN, SUPPORT, REAR, 22PRO-FF	1
22	401487	VENT STACK 4" X 16"	1
23	421698	PAWL BAR ASSEMBLY, 22PRO-FF	1

Single Tank Panels and Curtains

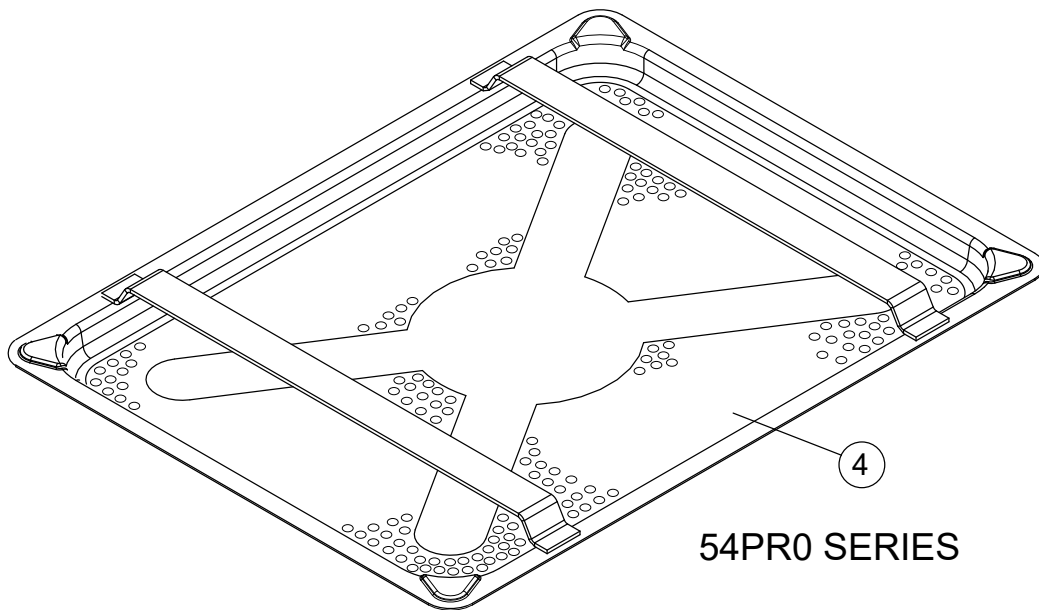
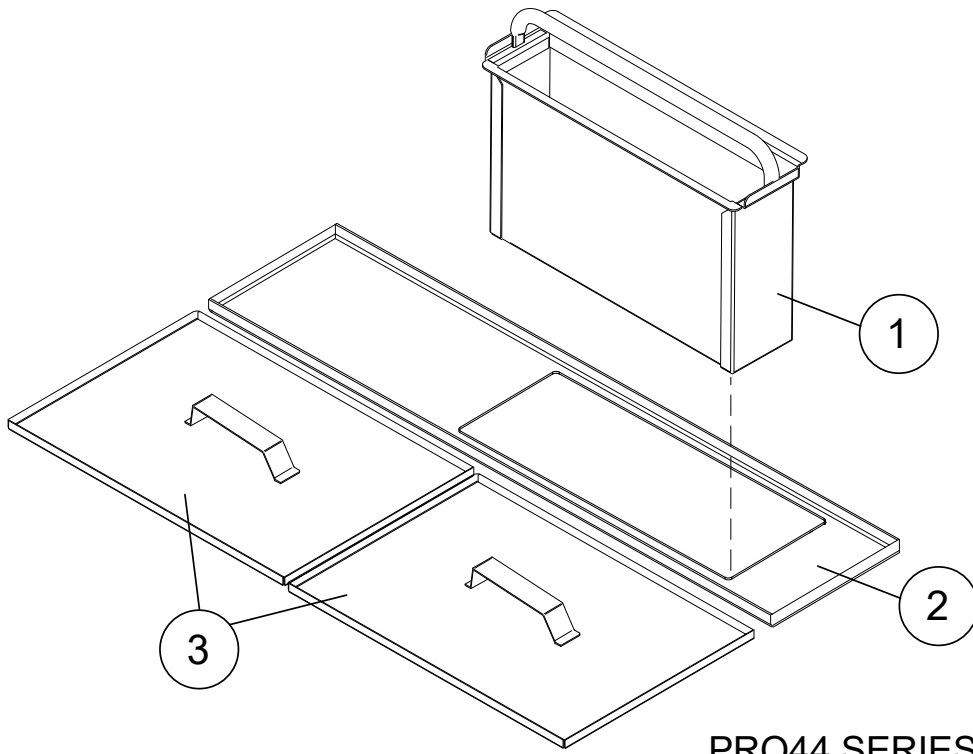


(R-L Direction Shown)

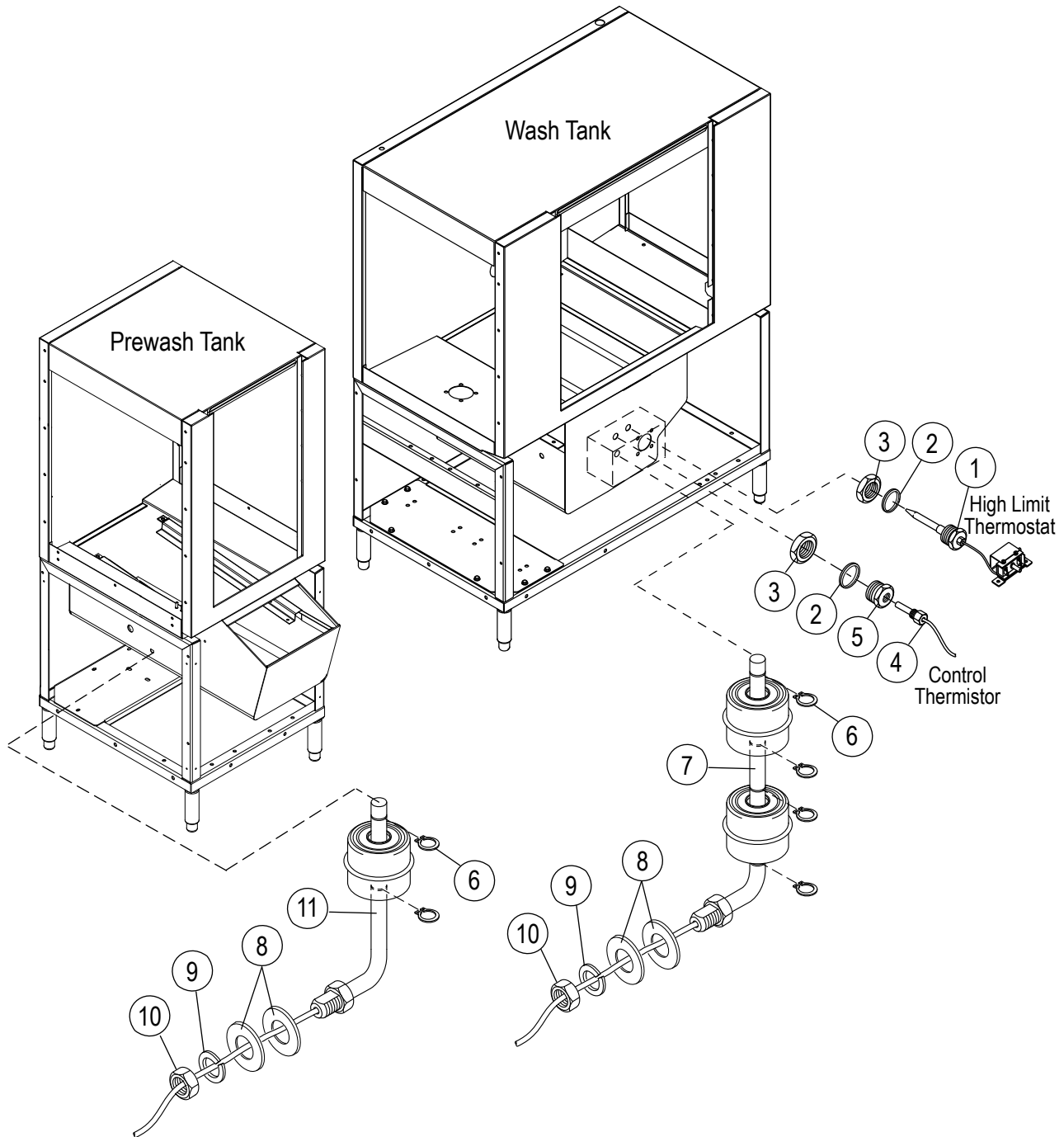
Item No.	Part No.	Description	Qty.
1*	108250	ROD, CURTAIN 5/16" X 24-5/8"(LONG)	2
2*	113720	CURTAIN 24" X 20-1/4" (LONG CURTAIN)	2
3	114012	ROD, CURTAIN, 5/16" X 23-1/2"(SHORT)	1
4	109723	CURTAIN 24" X 6 -1/4" (RINSE CURTAIN)	1
4a	108043	CURTAIN 24" X 13 -1/4" (FOR 54PRO FAMILY ONLY)	1
5	329927	BAFFLE, FLANGE WITH CUTOUT	1
6	328451	FLANGE, TABLE	2
7	112318	SCREW, 1/4-20 X 1/2" HEX WASHER HEAD	13
8	337085	PANEL, 25" END STANDARD	2
9	337084	PANEL, FRONT	1
10	108417	NUT, 1/2" NPT	4
11	109034	GASKET	4
12	108418	PLUG, 1/2" NPT	4
---	113944	NUT, 3/4" NPT (NOT SHOWN)	3
---	108620	GASKET (NOT SHOWN)	3
---	113943	PLUG, 3/4" NPT (NOT SHOWN)	3

* STANDARD = 2 LONG CURTAINS

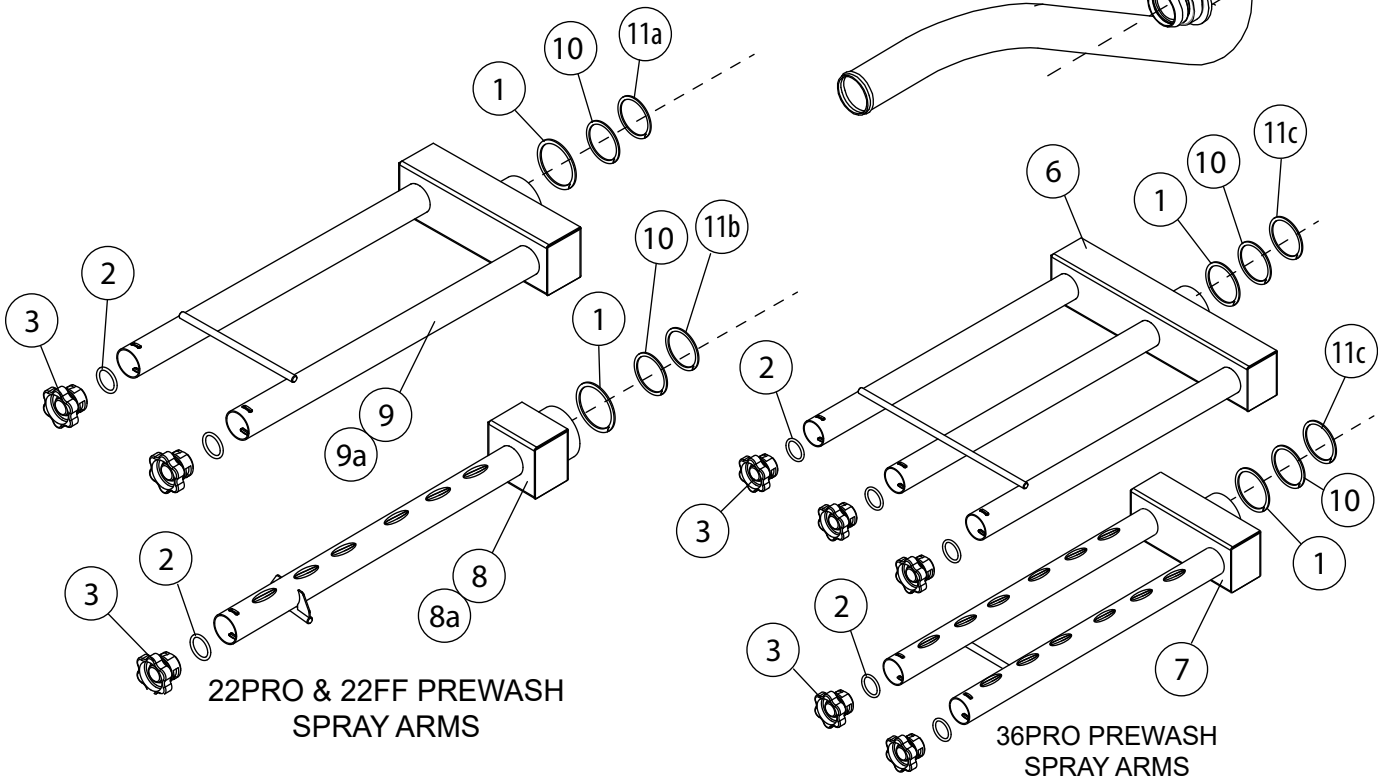
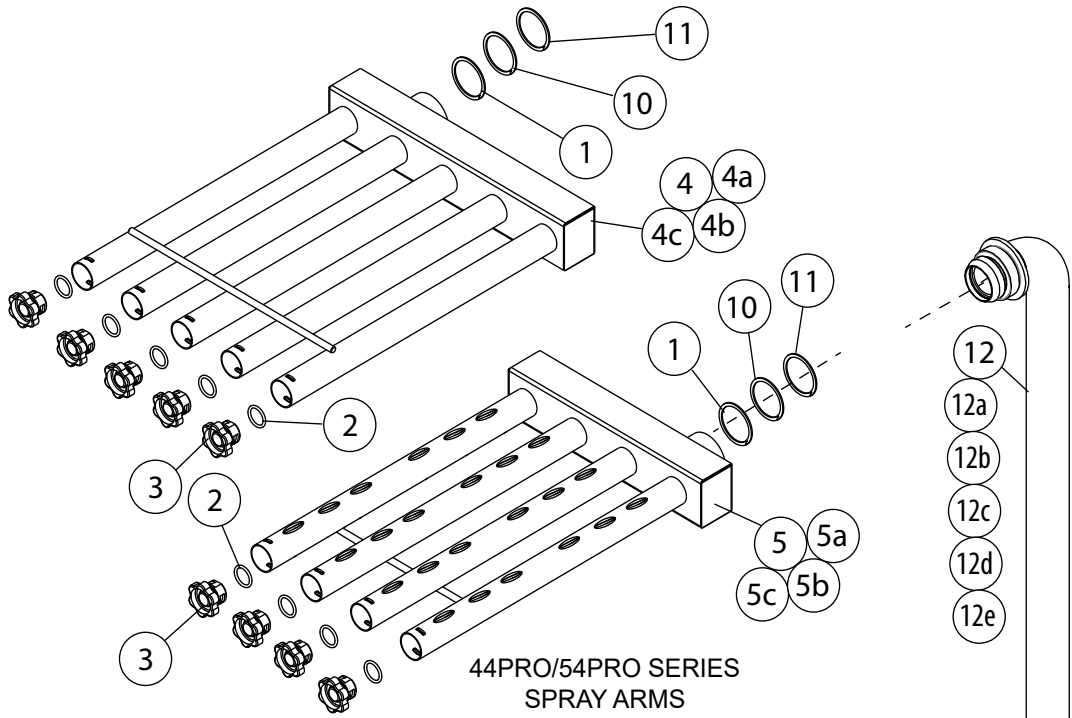
* VHR = 4 LONG CURTAINS



Item No.	Part No.	Description	Qty.
1	338148	44PRO SERIES, BASKET, SCRAP (SHALLOW)	1
2	338149	44PRO SERIES, FILLER, SCRAP BASKET	1
3	337205	44PRO SERIES, SCREEN, SCRAP	2
4	340922	54PRO SERIES, SCRAP SCREEN	1

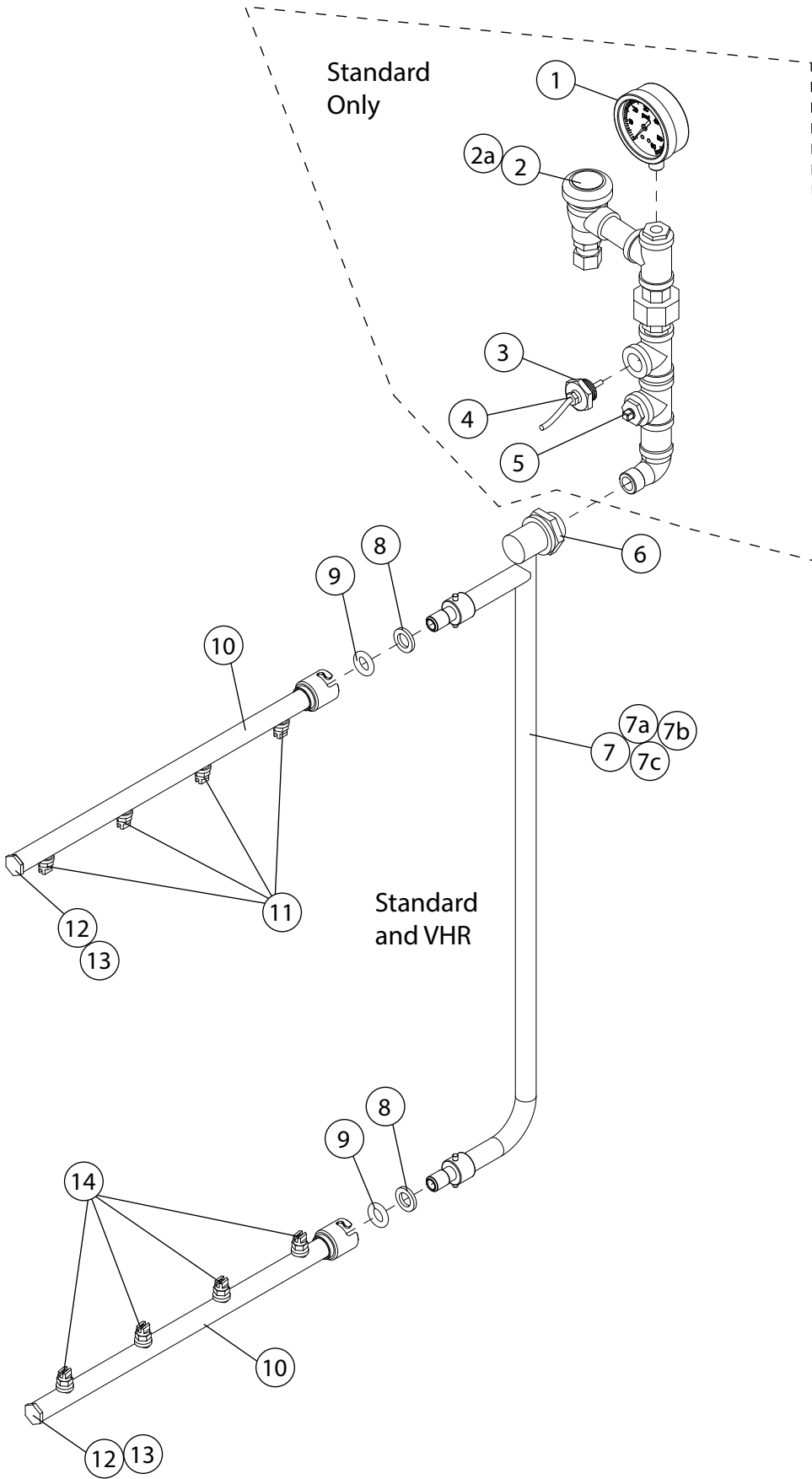


Item No.	Part No.	Description	Qty.
1	117455	THERMOSTAT, FIXED HIGH LIMIT	1
2	115489	O-RING	1
3	100547	LOCKNUT, 1/2" NPT SST	1
4	114435	THERMISTOR, 10k Ω , 36" LEAD	1
5	115530	ADAPTER	1
6	111151	C-CLIP	A/R
7	113291	FLOAT SWITCH, DUAL WASH	1
8	104882	WASHER, FLAT 1/2" SST	2
9	107589	WASHER, LOCK 1/2" SST	1
10	104584	NUT, PLAIN 1/2-13	1
11	115352	FLOAT SWITCH, SINGLE PREWASH	1
---	110750	GASKET, FLOAT SWITCH (NOT SHOWN)	1



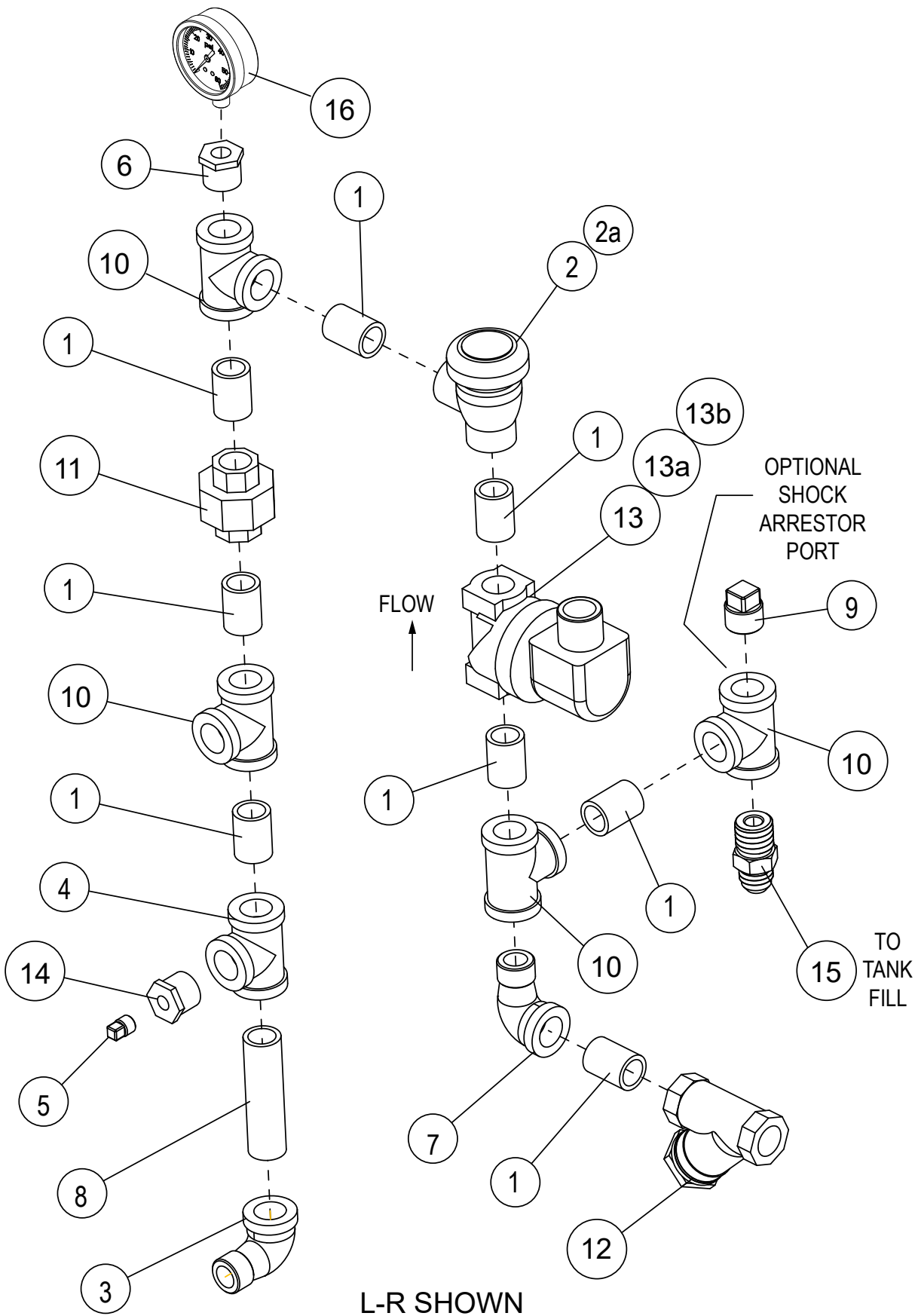
Item No.	Part No.	Description	Qty.
1	117688	O-RING, WASH ARM	1
2	104414	O-RING, END CAP	a/r
3	112240	CAP, END WASH ARM	a/r
4	337574	44 SERIES, WASH ARM MANIFOLD, UPPER RL	1
4a	337573	44 SERIES, WASH ARM MANIFOLD, UPPER LR	1
4b	340967	54 SERIES, WASH ARM MANIFOLD, UPPER RL	1
4c	340905	54 SERIES, WASH ARM MANIFOLD, UPPER LR	1
5	337569	44 SERIES, WASH ARM MANIFOLD, LOWER RL	1
5a	337570	44 SERIES, WASH ARM MANIFOLD, LOWER LR	1
5b	340966	54 SERIES, WASH ARM MANIFOLD, LOWER RL	1
5c	340904	54 SERIES WASH ARM MANIFOLD, LOWER LR	1
6	339782	36PW, WASH ARM MANIFOLD, UPPER, RL AND LR	1
7	339781	36PW, WASH ARM MANIFOLD, LOWER, RL AND LR	1
8	339779	22PW, WASH ARM MANIFOLD, LOWER, RL AND LR	1
8a	207931	22FFPW, WASH ARM MANIFOLD, LOWER, RL AND LR	1
9	339780	22PW, WASH ARM MANIFOLD, UPPER, RL AND LR	1
9a	207932	22FFPW, WASH ARM MANIFOLD, UPPER, RL AND LR	1
10	117039	RING, RETAINING	1 PER PORT
11	339485-1	RESTRICTOR, 1.125" ID (44/54 ONLY)	2
11a	339485-5	RESTRICTOR, .625" ID, (22 TOP ONLY)	1
11b	339485-7	RESTRICTOR, .438" ID, (22 BOTTON ONLY)	1
11c	339485-3	RESTRICTOR, .875" ID (36 ONLY)	2
12	339711	STANDPIPE WELDMENT, (44/54)	1
12a	339738	STANDPIPE WELDMENT, (22,36)	1
12b	340434	STANDPIPE WELDMENT, (22FF)	1
12c	339712	STANDPIPE WELDMENT, (44/54 HIGH HOOD)	1
12d	339769	STANDPIPE WELDMENT, (22/36 HIGH HOOD)	1
12e	341293	STANDPIPE WELDMENT, (22FF HIGH HOOD)	1
---	339702	ARM, THUMB LATCH, UPPER MANIFOLD (not shown)	A/R

Final Rinse Arms



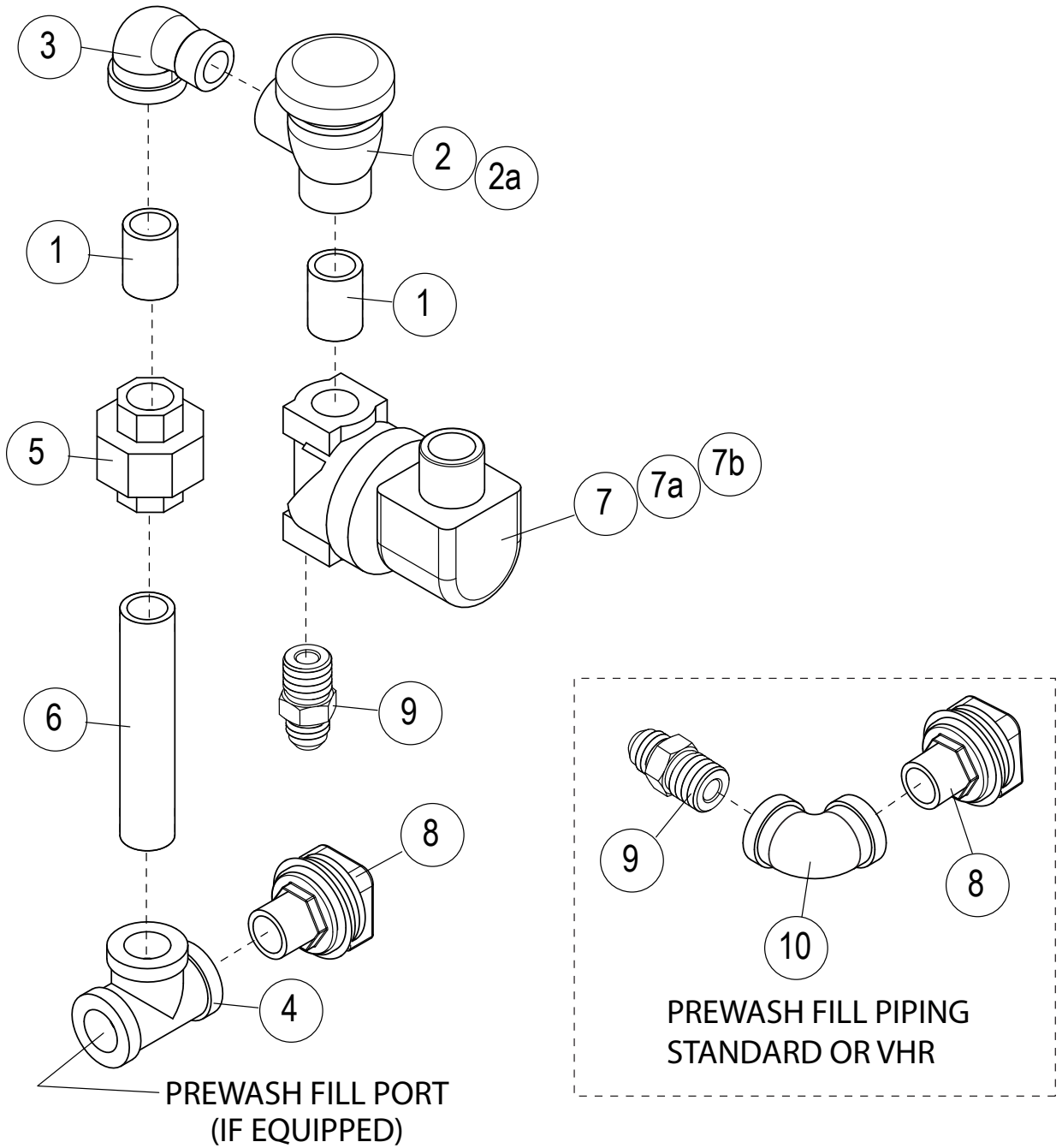
Item No.	Part No.	Description	Qty.
1	100135	GAUGE, PRESSURE, 0-60 PSI	1
2	100500	BREAKER, VACUUM 1/2" NPT BRONZE	1
2a	900836	KIT, REPAIR, VACUUM BREAKER 1/2"	A/R
3	115530	ADAPTER	1
4	114435	THERMISTOR, 10KΩ, 36" LEAD	1
5	101259	PLUG, 1/8" NPT, SQ. HEAD, BRASS	1
6	100156	LOCKNUT, 3/4" NPT BRASS	1
7	338340	MANIFOLD, STANDARD FINAL RINSE, LR	1
7a	338341	MANIFOLD, STANDARD FINAL RINSE, RL	1
7b	338342	MANIFOLD, HIGH HOOD FINAL RINSE, LR	1
7c	338343	MANIFOLD, HIGH HOOD FINAL RINSE, RL	1
8	114291	WASHER, SILICONE	2
9	114290	O-RING	2
10	337056	ARM, FINAL RINSE	2
11	111938	NOZZLE, FINAL RINSE 8004	4
12	113795	PLUG, RINSE ARM	2
13	113716	O-RING	2
14	114181	NOZZLE, FINAL RINSE 8002	4

Fill/Final Rinse Piping (no booster)



Item No.	Part No.	Description	Qty.
1	100209	NIPPLE, 1/2" NPT X CLOSE, BRASS	8
2	100500	BREAKER, VACUUM 1/2" NPT BRONZE	1
2a	900836	KIT, REPAIR, VACUUM BREAKER 1/2"	A/R
3	100516	ELBOW, STREET, 1/2" NPT X 90° SST	1
4	100554	TEE, 1/2" NPT SST	1
5	101259	PLUG, 1/8" NPT SQ. HEAD BRASS	1
6	102388	BUSHING, REDUCING 1/2" NPT X 1/4" NPT BRASS	1
7	102438	ELBOW, STREET, 1/2" NPT X 90°, BRASS	1
8	102463	NIPPLE, 1/2" NPT X 3" LG. SST	1
9	102504	PLUG, 1/2" NPT, SQUARE HEAD, BRASS	1
10	102514	TEE, 1/2" NPT BRASS	4
11	102549	UNION, 1/2" NPT BRASS	1
12	104421	STRAINER, LINE 1/2" NPT, BRONZE	1
13	109886	VALVE, SOLENOID, 1/2" NPT, HW PARKER	1
13a	109902	KIT, REPAIR VALVE 1/2"	A/R
13b	108516	COIL, SOLENOID VALVE 120VAC	A/R
14	114717	BUSHING, REDUCING, 1/2" NPT X 1/8" NPT SST	1
15	115101	COUPLING, MALE, 1/2" NPT X 1/2" 37D FLARE, JIC BRASS	2
16	100135	GAUGE, PRESSURE, 0-60 PSI	1

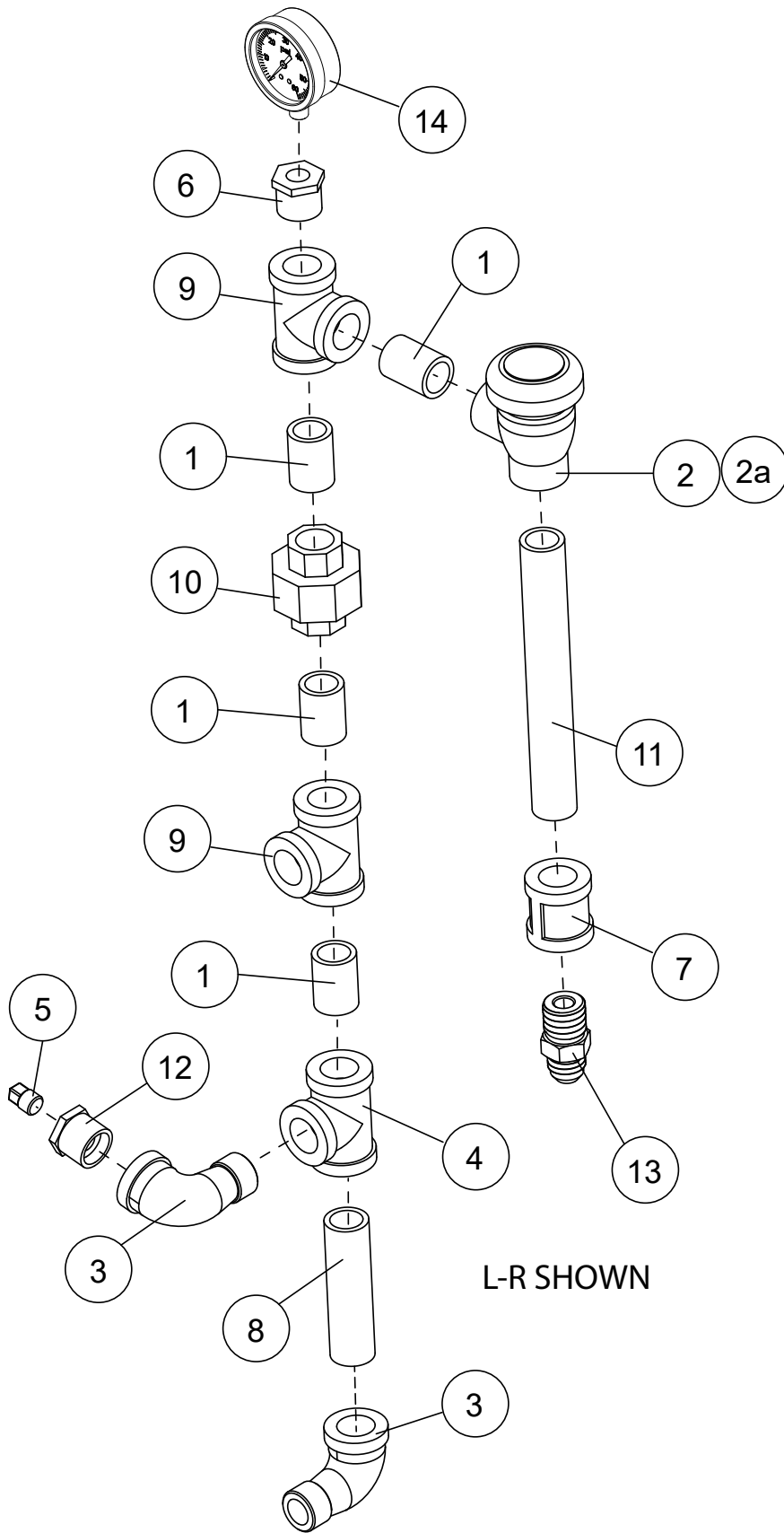
Non-VHR Fill Piping



LEFT HAND SHOWN

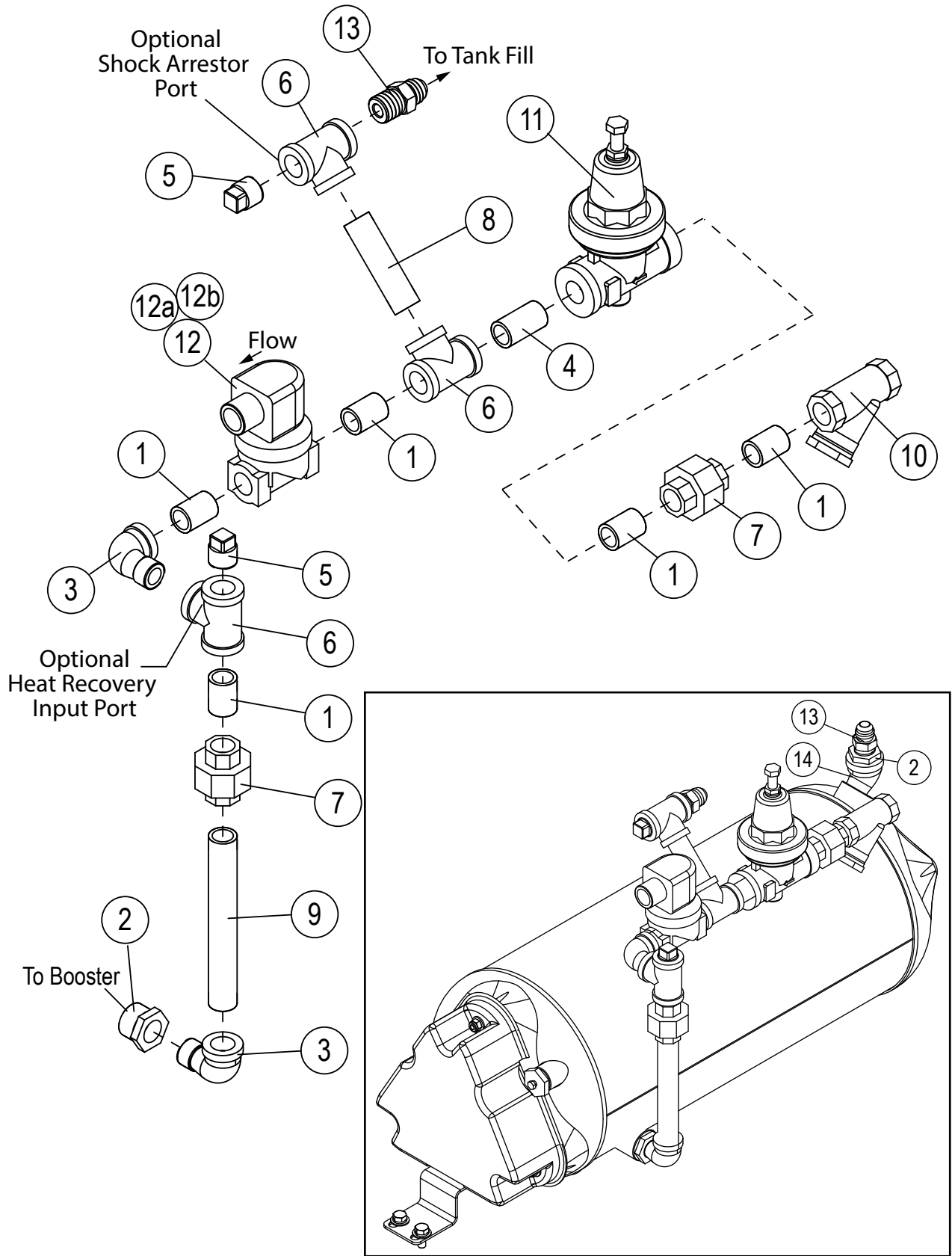
Item No.	Part No.	Description	Qty.
1	100209	NIPPLE, 1/2" NPT X CLOSE, BRASS	2
2	100500	BREAKER, VACUUM 1/2" NPT BRONZE	1
2a	900836	KIT, REPAIR, VACUUM BREAKER 1/2"	A/R
3	102438	ELBOW, STREET, 1/2" NPT X 90° BRASS	1
4	102514	TEE, 1/2" NPT BRASS	1
5	102549	UNION, 1/2" NPT BRASS	1
6	102571	NIPPLE, 1/2" X 4-1/4" LG. BRASS	1
7	109886	VALVE, SOLENOID, 1/2" NPT, HW PARKER	1
7a	109902	KIT, REPAIR VALVE 1/2"	A/R
7b	108516	COIL, SOLENOID VALVE 120VAC	A/R
8	111325	NOZZLE, FLUSH-N POLISHED, CHROME	2
9	115101	COUPLING, MALE, 1/2" NPT X 1/2" 37D FLARE, JIC BRASS	2
10	102435	ELBOW, 1/2" NPT X 90° BRASS	1

Non-VHR Final Rinse Piping (with booster)



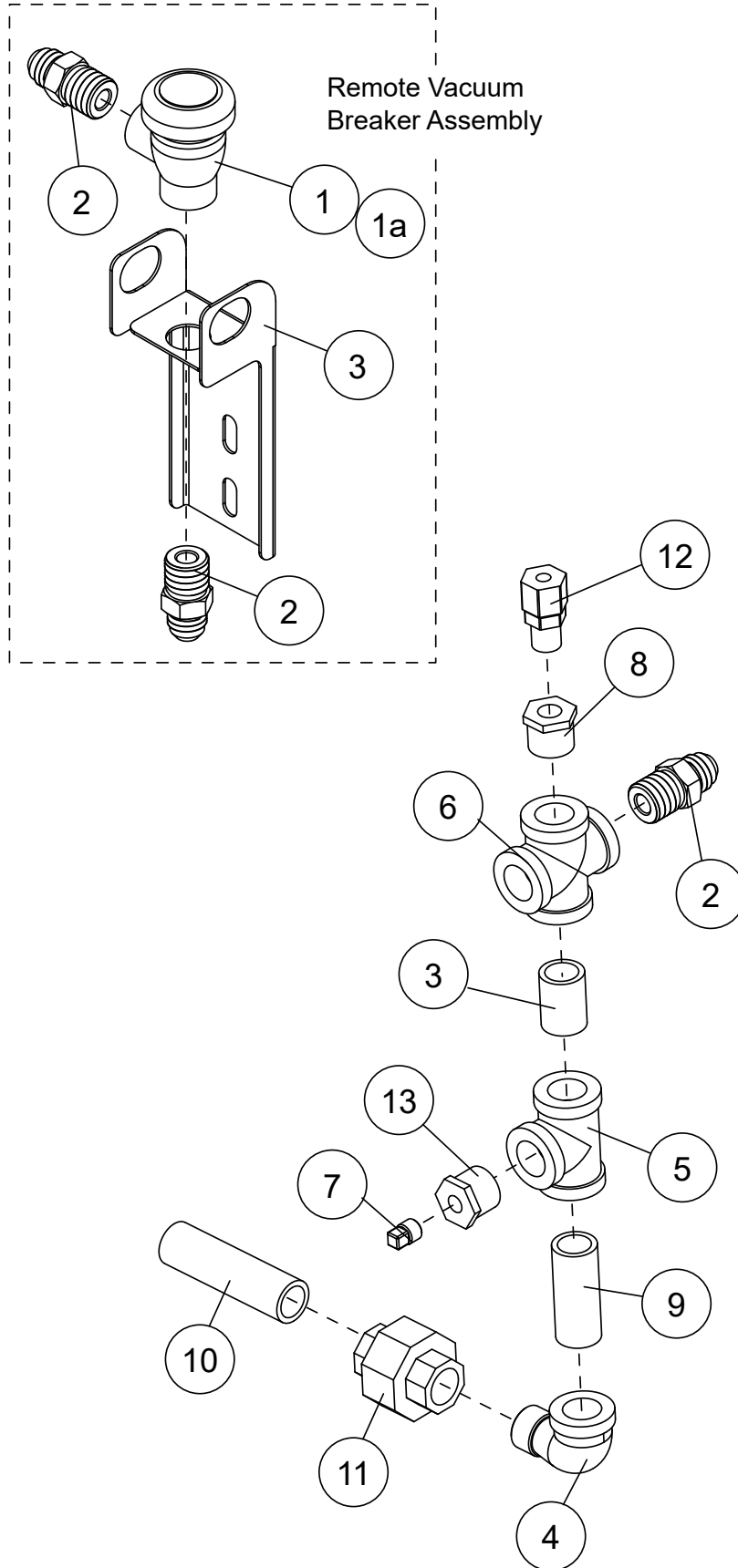
Item No.	Part No.	Description	Qty.
1	100209	NIPPLE, 1/2" NPT X CLOSE, BRASS	4
2	100500	BREAKER, VACUUM 1/2" NPT BRONZE	1
2a	900836	KIT, VACUUM BREAKER 1/2"	A/R
3	100516	ELBOW, STREET 1/2" NPT X 90° SST	2
4	100554	TEE, 1/2" NPT SST	1
5	101259	PLUG, 1/8" NPT SQ. HEAD BRASS	1
6	102388	COUPLING, 1/2" NPT, BRASS	1
7	102412	TEE, 1/2" NPT, BRASS	2
8	102463	NIPPLE, 1/2" NPT X 3" LG. SST	1
9	102514	TEE, 1/2" NPT BRASS	2
10	102549	UNION, 1/2" NPT BRASS	1
11	102578	NIPPLE, 1/2" NPT, 6" LG. BRASS	1
12	114717	BUSHING, REDUCING, 1/2" NPT X 1/8" NPT SST	1
13	115101	COUPLING, MALE, 1/2" NPT 37D,FLARE JIC,BRASS	1
14	100135	GAUGE, PRESSURE, 0-60 PSI	1

Non-VHR Fill Piping (with Booster)



Item No.	Part No.	Description	Qty.
1	100209	NIPPLE, 1/2" NPT X CLOSE, BRASS	5
2	102392	BUSHING, REDUCING 3/4" NPT X 1/2" NPT BRASS	2
3	102438	ELBOW, STREET, 1/2" NPT X 90°, BRASS	2
4	102485	NIPPLE, 1/2" NPT X 1-1/2" LG., BRASS	1
5	102504	PLUG, 1/2" NPT, SQUARE HEAD, BRASS	2
6	102514	TEE, 1/2" NPT BRASS	3
7	102549	UNION, 1/2" NPT BRASS	2
8	102567	NIPPLE, 1/2" NPT X 3" LG., BRASS	1
9	102578	NIPPLE, 1/2" NPT, 6" LG. BRASS	1
10	104421	STRAINER, LINE, 1/2" NPT BRONZE	1
11	108265	VALVE, PRESSURE REGULATING, 1/2" NPT BRONZE	1
12	109886	VALVE, SOLENOID, 1/2" NPT, HW PARKER	1
12a	109902	KIT, REPAIR VALVE 1/2"	A/R
12b	108516	COIL, SOLENOID VALVE 120VAC	A/R
13	115101	COUPLING, MALE, 1/2" NPT 37D, FLARE JIC, BRASS	2
14	113706	ELBOW, STREET, 3/4" NPT X 45°, BRASS	1

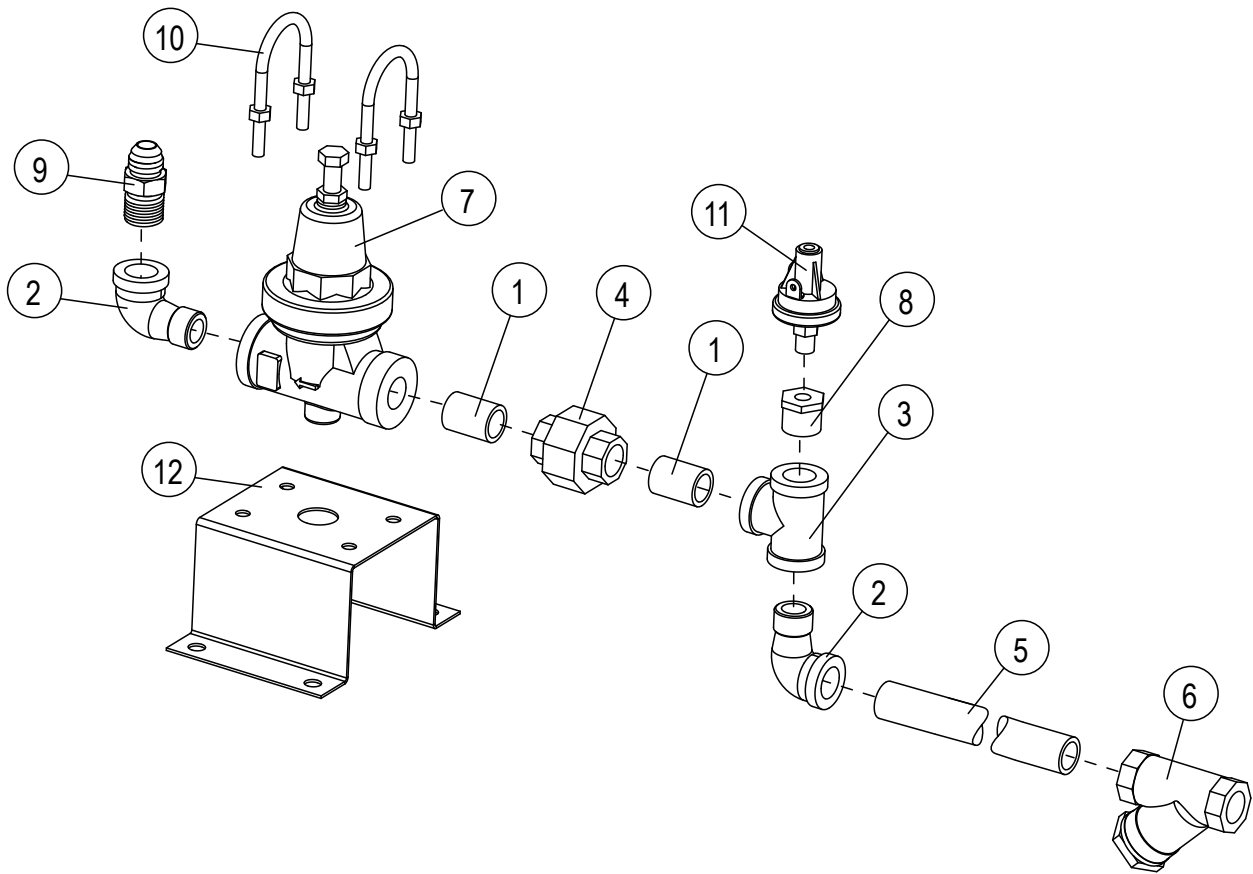
VHR - Final Rinse Piping Assembly with Remote Vacuum Breaker



VHR - Final Rinse Piping Assembly with Remote Vacuum Breaker

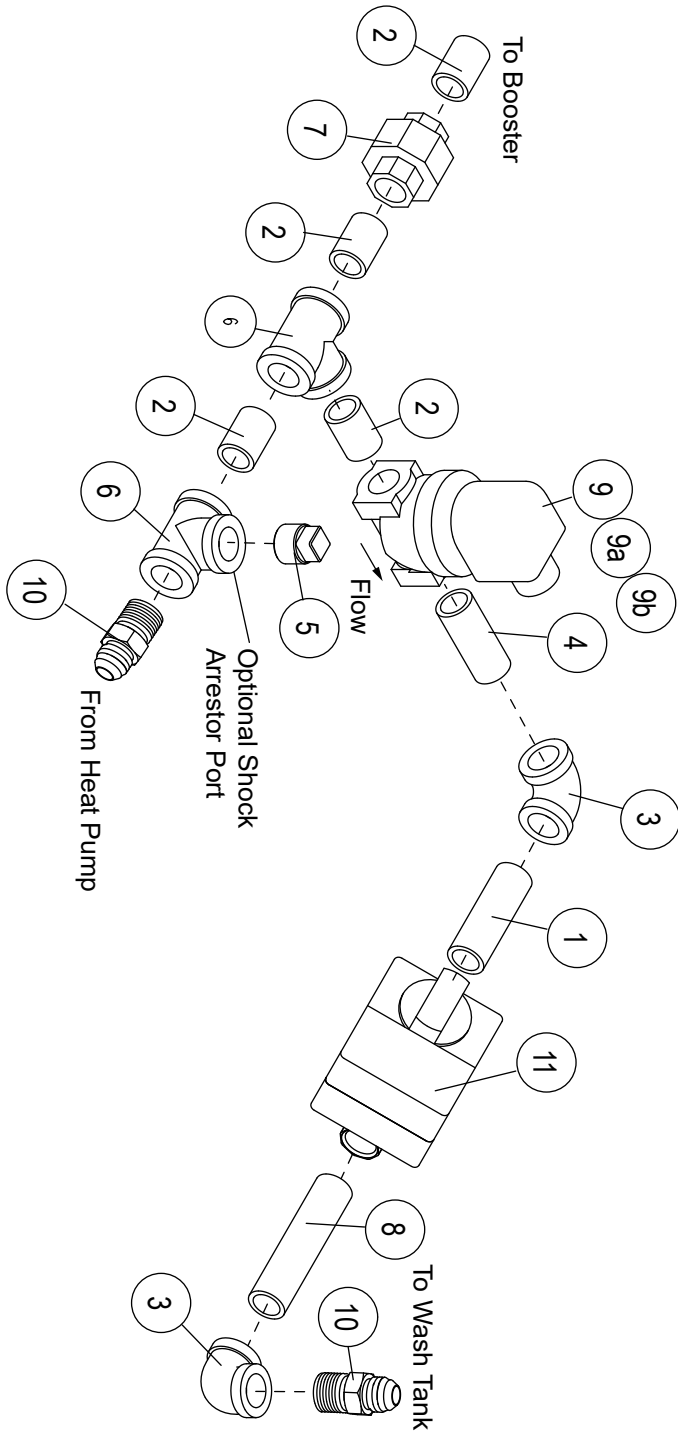
Item No.	Part No.	Description	Qty.
1	100500	BREAKER, VACUUM 1/2" NPT BRONZE	1
1a	900836	KIT, VACUUM BREAKER 1/2"	A/R
2	115101	COUPLING, MALE, 1/2" NPT 37D,FLARE JIC,BRASS	3
3	339983	BRACKET, VACUUM BREAKER SUPPORT	1
4	100516	ELBOW, STREET,1/2" NPT, SST	1
5	100554	TEE, 1/2" NPT, SST	1
6	100598	CROSS, 1/2" NPT, BRASS	1
7	101259	PLUG, 1/8" NPT, SQUARE HEAD, BRASS	1
8	102388	BUSHING, REDUCING, 1/2" NPT, X 1/4" NPT, BRASS	1
9	102461	NIPPLE, 1/2" NPT, X 2" LG.,SST	1
10	102463	NIPPLE, 1/2" NPT X 3" LG.,SST	1
12	107065	ADAPTER, 1/4" OD X 1/4" MPT, PLASTIC	1
13	114717	BUSHING, REDUCING, 1/2" NPT X 1/8" NPT	1

VHR - Cold Water Sub-assembly



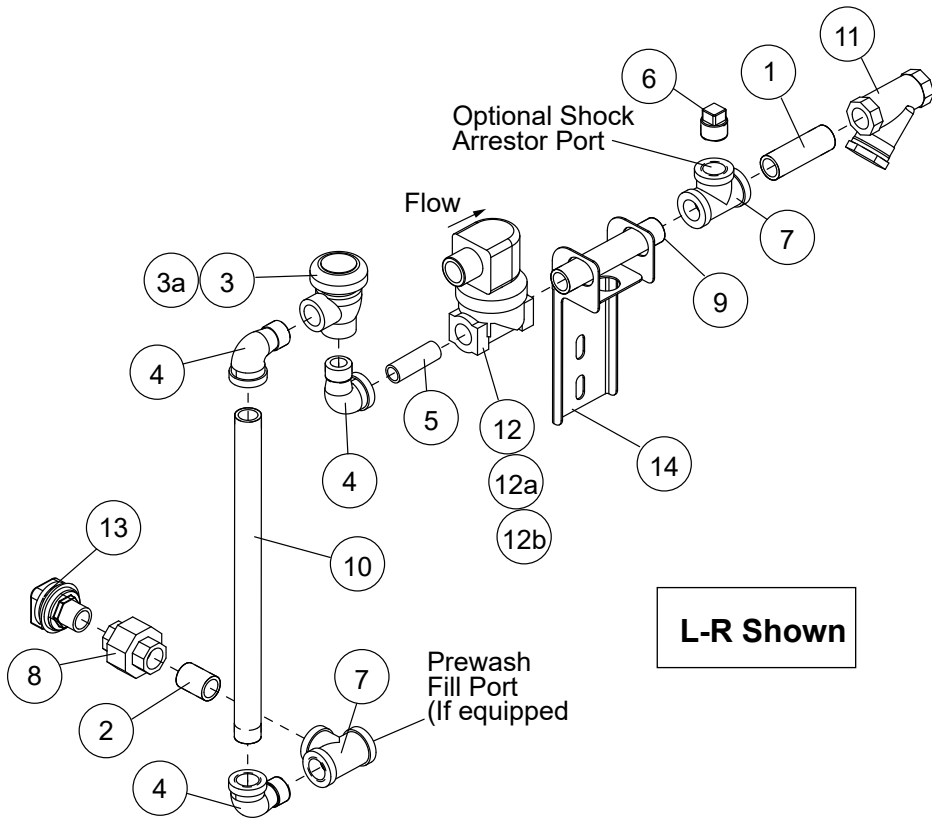
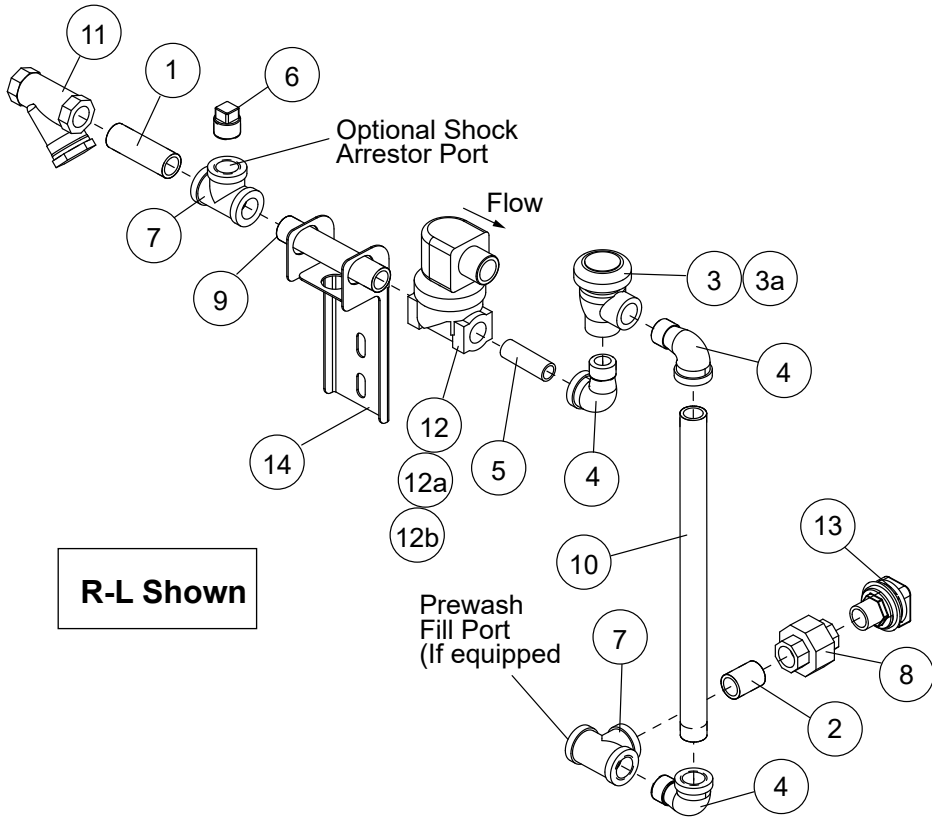
Item No.	Part No.	Description	Qty.
1	100209	NIPPLE, 1/2" NPT X CLOSE, BRASS	2
2	102438	ELBOW, STREET, 1/2" 90°, BRASS	2
3	102514	TEE, 1/2" NPT, BRASS	1
4	102549	UNION, 1/2" NPT, BRASS	1
5	102585	NIPPLE, 1/2" NPT X 9" LG., BRASS	1
6	104421	STRAINER, LINE, 1/2" NPT BRONZE	1
7	108265	VALVE, PRESSURE REGULATING, 1/2" BRONZE	1
8	114717	BUSHING, REDUCING, 1/2" NPT X 1/8" NPT, SST	1
9	115101	COUPLING, MALE, 1/2" NPT X 1/2" 37D FLARE, BRASS	1
10	115169	U-BOLT, 1/4-20 X 1-3/8" LG., THD X 1-1/2" OD	2
11	117073	PRESSURE SWITCH, 15 PSI, SETPOINT, 1/8" MPNT, NO	1
12	339878	BRACKET, PRV SUPPORT, CW, PRO-VHR	1

VHR - Auto Modulating Discharge Valve



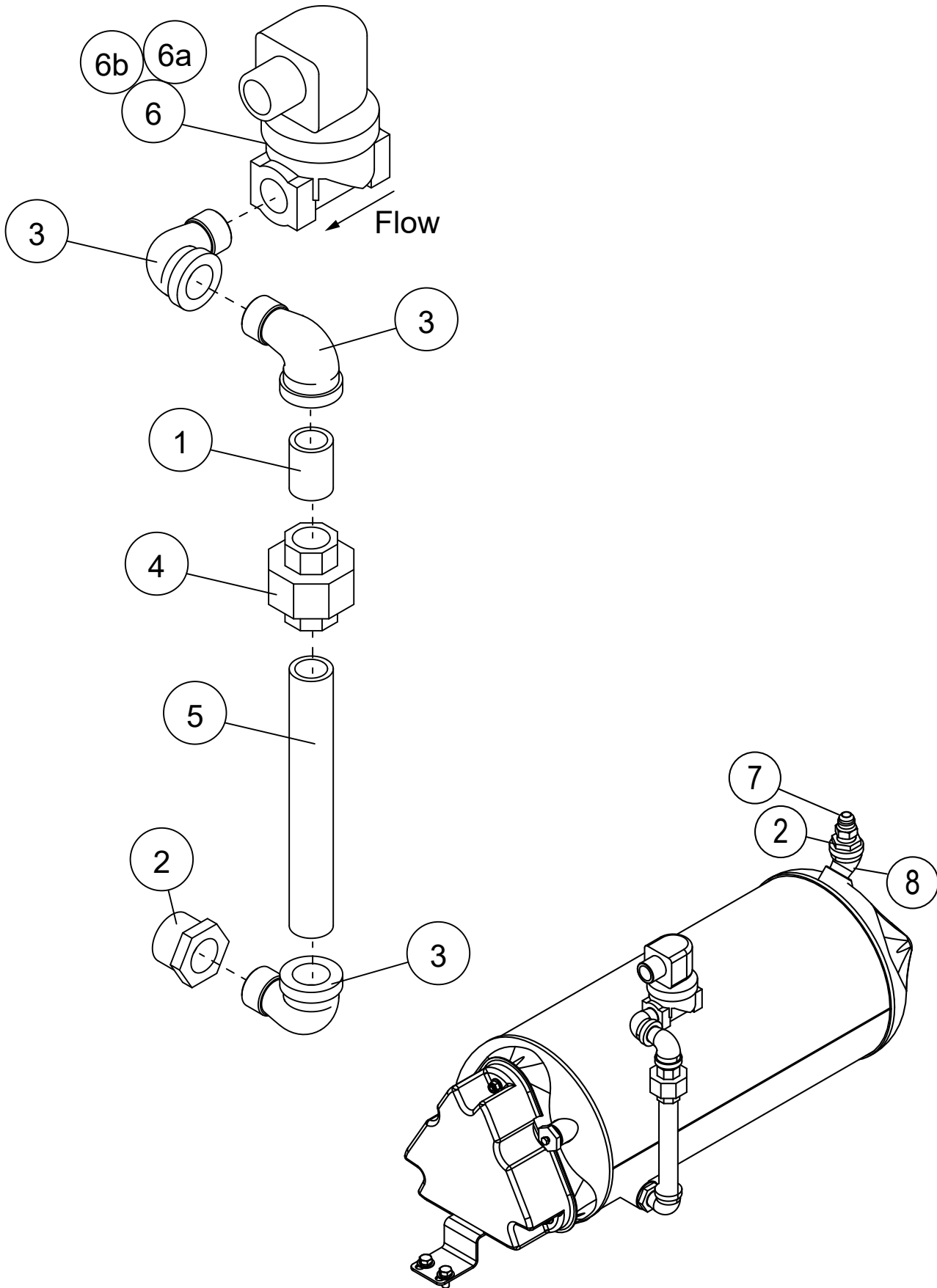
Item No.	Part No.	Description	Qty.
1	100206	NIPPLE, 1/2" NPT X 2-1/2" LG., BRASS	1
2	100209	NIPPLE, 1/2" NPT X CLOSE, BRASS	4
3	102435	ELBOW, 1/2" NPT X 90° BRASS	2
4	102492	NIPPLE, 1/2" NPT X 2" LG., BRASS	1
5	102504	PLUG, 1/2" NPT SQUARE HEAD, BRASS	1
6	102514	TEE, 1/2" NPT, BRASS	2
7	102549	UNION, 1/2" NPT, BRASS	1
8	102569	NIPPLE, 1/2" NPT X 3-1/2" LG., BRASS	1
9	109886	VALVE, SOLENOID 1/2" NPT, HW	1
9a	109902	KIT, REPAIR VALVE 1/2"	A/R
9b	108516	COIL, SOLENOID VALVE 120VAC	A/R
10	115101	COUPLING, MALE, 1/2" NPT X 1/2" 37D FLARE, BRASS	2
11	116935	MODULATING VALVE, DISCHARGE, VHR	1

VHR - Fill Piping Assembly (One Tank)

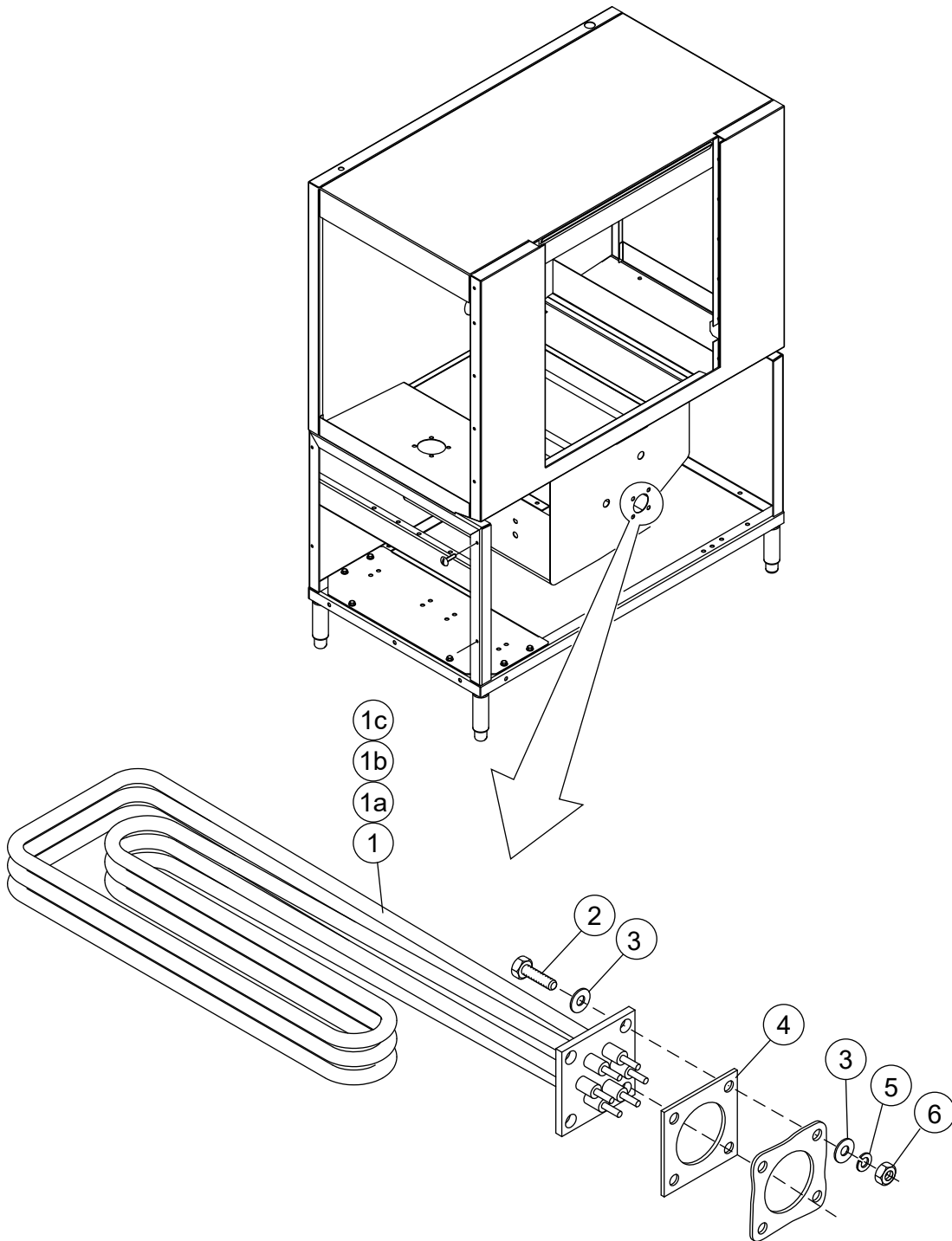


Item No.	Part No.	Description	Qty.
1	100206	NIPPLE, 1/2" NPT X 2-1/2" LG., BRASS	1
2	100209	NIPPLE, 1/2" NPT X CLOSE, BRASS	1
3	100500	BREAKER, VACUUM, 1/2" NPT, BRONZE	1
3a	900836	KIT, VACUUM BREAKER 1/2"	A/R
4	102438	ELBOW, STREET, 1/2" 90°, BRASS	3
5	102485	NIPPLE, 1/2" NPT X 1-1/2" LG., BRASS	1
6	102504	PLUG, 1/2" NPT SQUARE HEAD, BRASS	1
7	102514	TEE, 1/2" NPT, BRASS	2
8	102549	UNION, 1/2" NPT, BRASS	1
9	102571	NIPPLE, 1/2" NPT X 4-1/4" LG., BRASS	1
10	102594	NIPPLE, 1/2" NPT X 12" LG., BRASS	1
11	104421	STRAINER, LINE 1/2" NPT BRONZE	1
12	109886	VALVE, SOLENOID, 1/2" NPT, HW PARKER	1
12a	109902	KIT, REPAIR VALVE 1/2"	A/R
12b	108516	COIL, SOLENOID VALVE 120VAC	A/R
13	111325	NOZZLE, FLUSH-N, POLISHED CHROME	1
14	339983	FILL PIPING/VACUUM BREAKER SUPPORT BRKT.	1

VHR - Booster Piping, Main Connection Sub-assembly

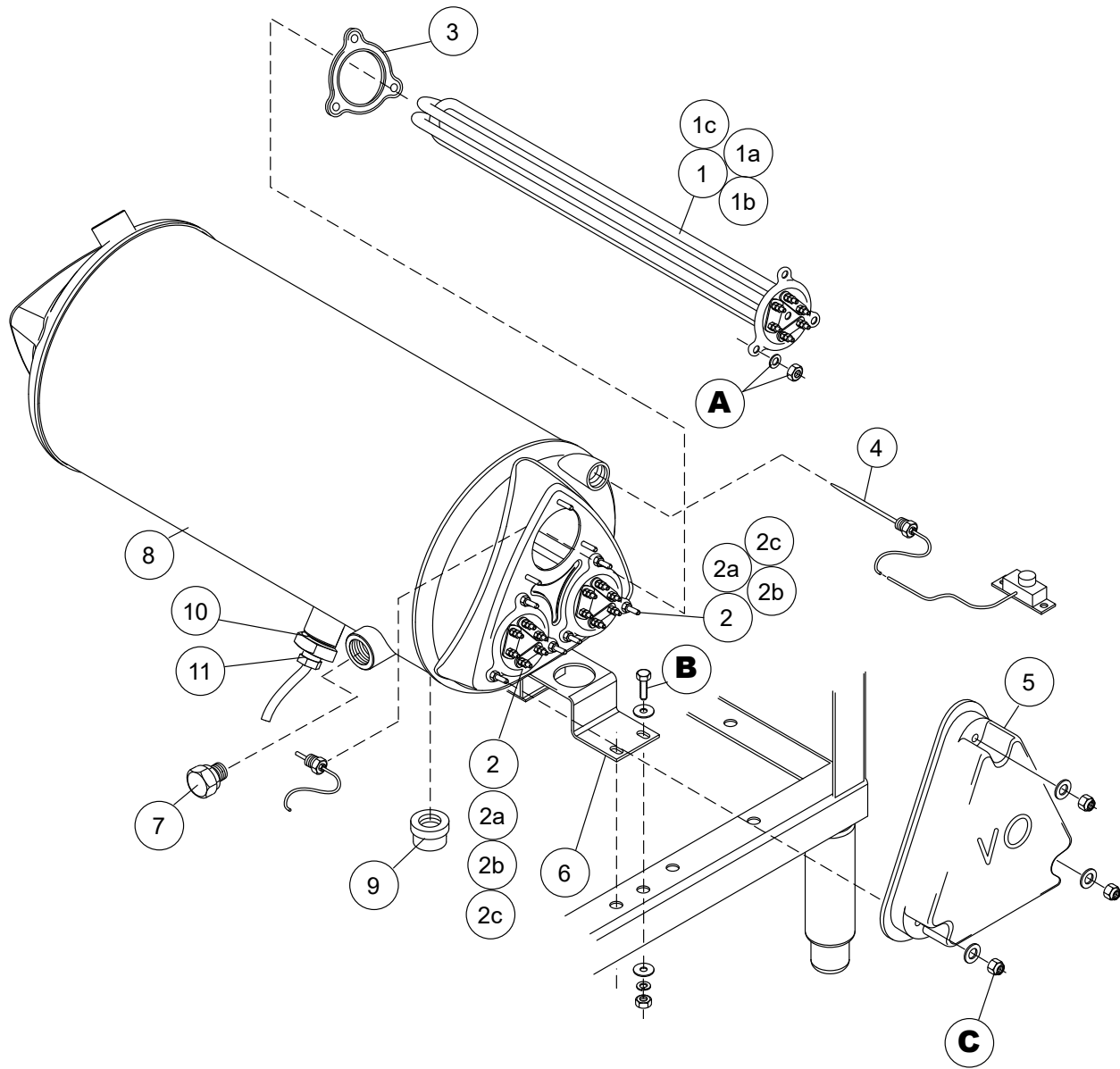


Item No.	Part No.	Description	Qty.
1	100209	NIPPLE, 1/2" NPT X CLOSE BRASS	1
2	102392	BUSHING, REDUCING, 3/4" NPT, X 1/2" NPT BRASS	2
3	102438	ELBOW, STREET, 1/2" NPT X 90° SST	3
4	102549	UNION, 1/2" NPT BRASS	1
5	102578	NIPPLE, 1/2" NPT X 6" LG. BRASS	1
6	109886	VALVE, SOLENOID, 1/2" NPT, HW, 120VAC COIL	1
6a	109902	KIT, REPAIR VALVE 1/2"	A/R
6b	108516	COIL, SOLENOID VALVE, 120VAC	A/R
7	115101	COUPLING, MALE, 1/2" NPT X 1/2" 37D FLARE, BRASS	1
8	113706	ELBOW, STREET, 3/4" NPT X 45°, BRASS	1



Item No.	Part No.	Description	Qty.
1	113516	HEATER, 15/18 kw, 200-220V/1 & 3, 380V/3	1
1a	113517	HEATER, 15/16.3 kw, 230-240V/1 & 3, 400-415V/3	1
1b	113518	HEATER, 15/16.3 kw, 460-480V/3	1
1c	113519	HEATER, 15 kw, 575/3	1
2	100153	BOLT, 3/8-16 X 1" HEX HEAD, SST	4
3	104618	WASHER, FLAT 3/8" SST	8
4	108345	GASKET, 3" X 3" X 1/8", 2" HOLE	1
5	106407	WASHER, LOCK, 3/8", SPLIT SST	4
6	100140	NUT, PLAIN, 3/8-16, SST	4

Electric Booster



Item No.	Part No.	Description	Qty.
1	111334	HEATER, 9kW, 208-220V/380V	1
1a	111305	HEATER, 9kW, 230-240/415V	1
1b	108579	HEATER, 9kW, 480V	1
1c	111122	HEATER, 9kW, 575V	1
2	107909	HEATER, 6kW, 208-220V	2
2a	114030	HEATER, 6kW, 230-240V	2
2b	114031	HEATER, 6kW, 480V	2
2c	114032	HEATER, 6kW 575V	2
3	109985	SEAL, HEATER FLANGE	3
4	110561	THERMOSTAT, FIXED, HIGH LIMIT, 240°F	1
5	108576	COVER, BOOSTER	1
6	328254	BRACKET, FRONT BOOSTER	1
7	102505	PLUG, 3/4"NPT BRASS	1
8	414331	TANK, BOOSTER	1
9	100113	CAP, 3/4" NPT SST	1
10	115530	ADAPTER	1
11	117270	THERMISTOR, 10KΩ, 8.25" LG., 36" LEAD	1

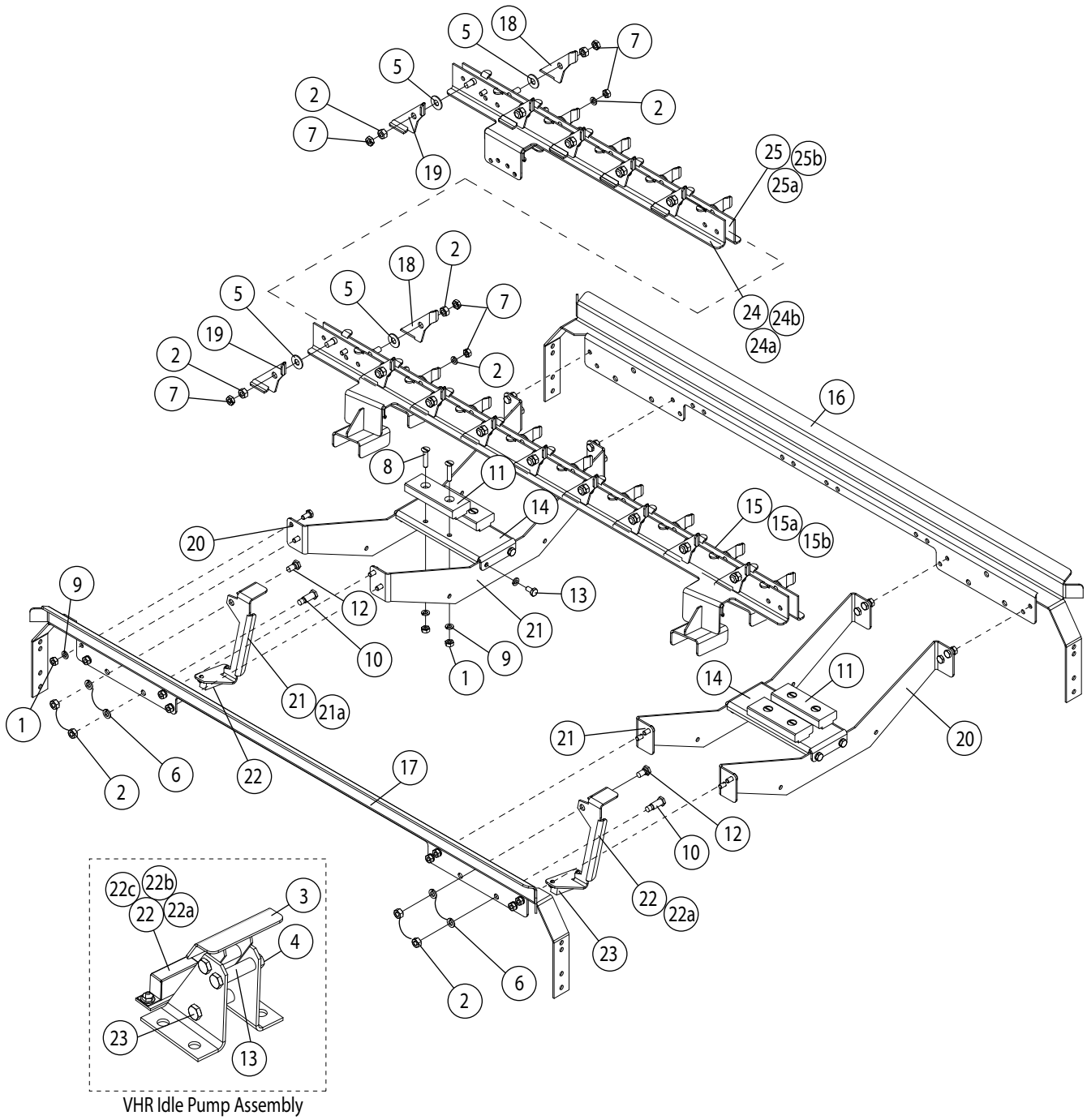
A	HEATER FASTENERS (QTY. PER HEATER)		
	100003	NUT, PLAIN 1/4-20 SST	3
	106482	WASHER, LOCK 1/4" SPLIT	3

B	BOOSTER TANK FASTENERS		
	100739	BOLT, 5/16-18 X 3/4" HEX HEAD SST	4
	106013	WASHER, LOCK 5/16" SPLIT SST	4
	109009	NUT, GRIP 5/16" W/NYLON INSERT	2

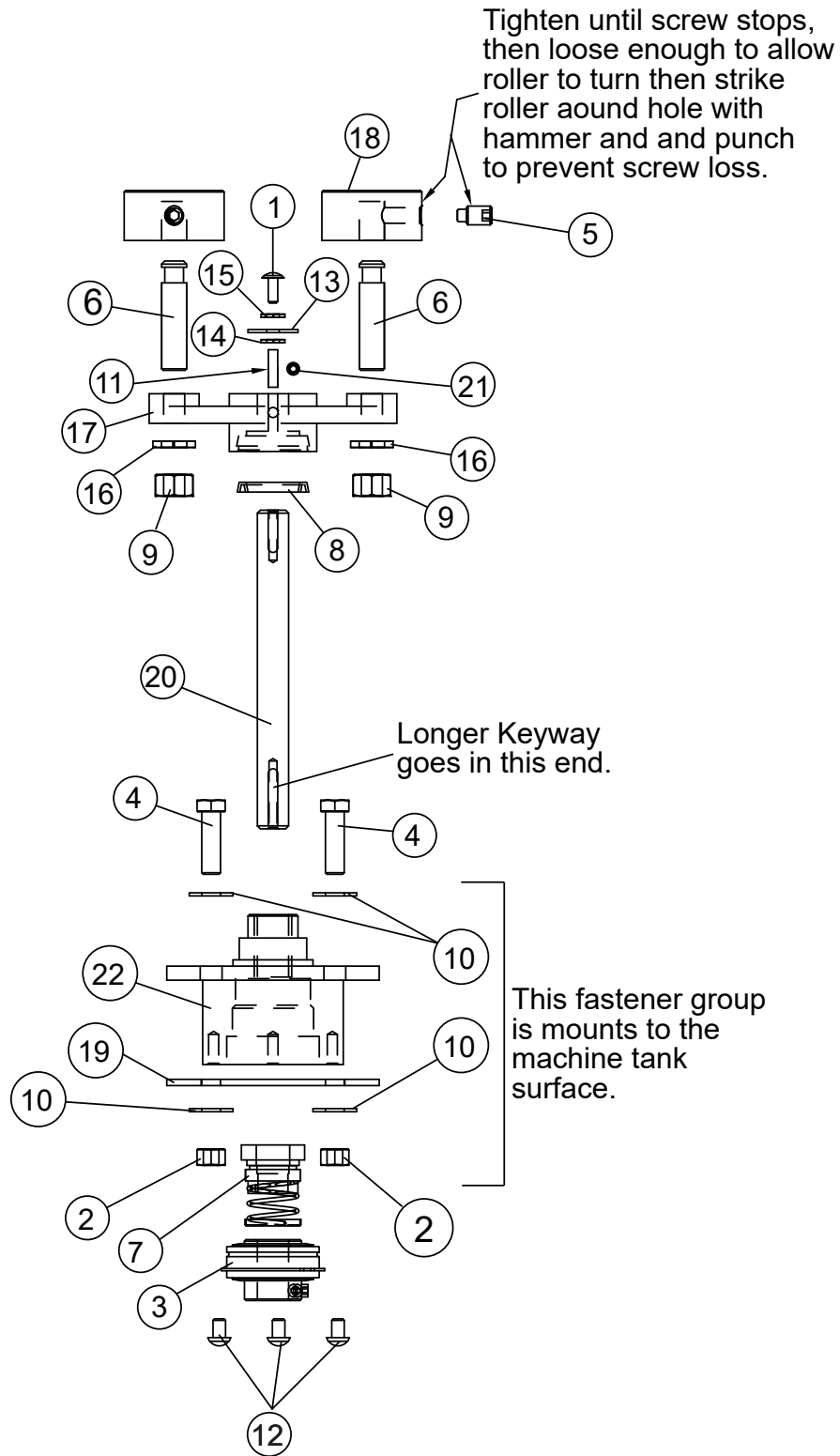
C	HEATER COVER FASTENERS		
	107967	NUT, GRIP 1/4-20 W/NYLON INSERT	3
	106026	WASHER, FLAT 1/4"	3

BOOSTER HEATER LOCATIONS			
VOLTAGE	TOP (9kW)	BOTTOM (6kW)	WIRING NOTES
208-220/380	111334	107909	380V WIRED WYE, OTHERS DELTA
230-240/415	111305	114030	415V WIRED WYE, OTHERS DELTA
460-480	108579	114031	WIRED DELTA
575	111122	114032	WIRED DELTA

Pawl Bars and Tracks

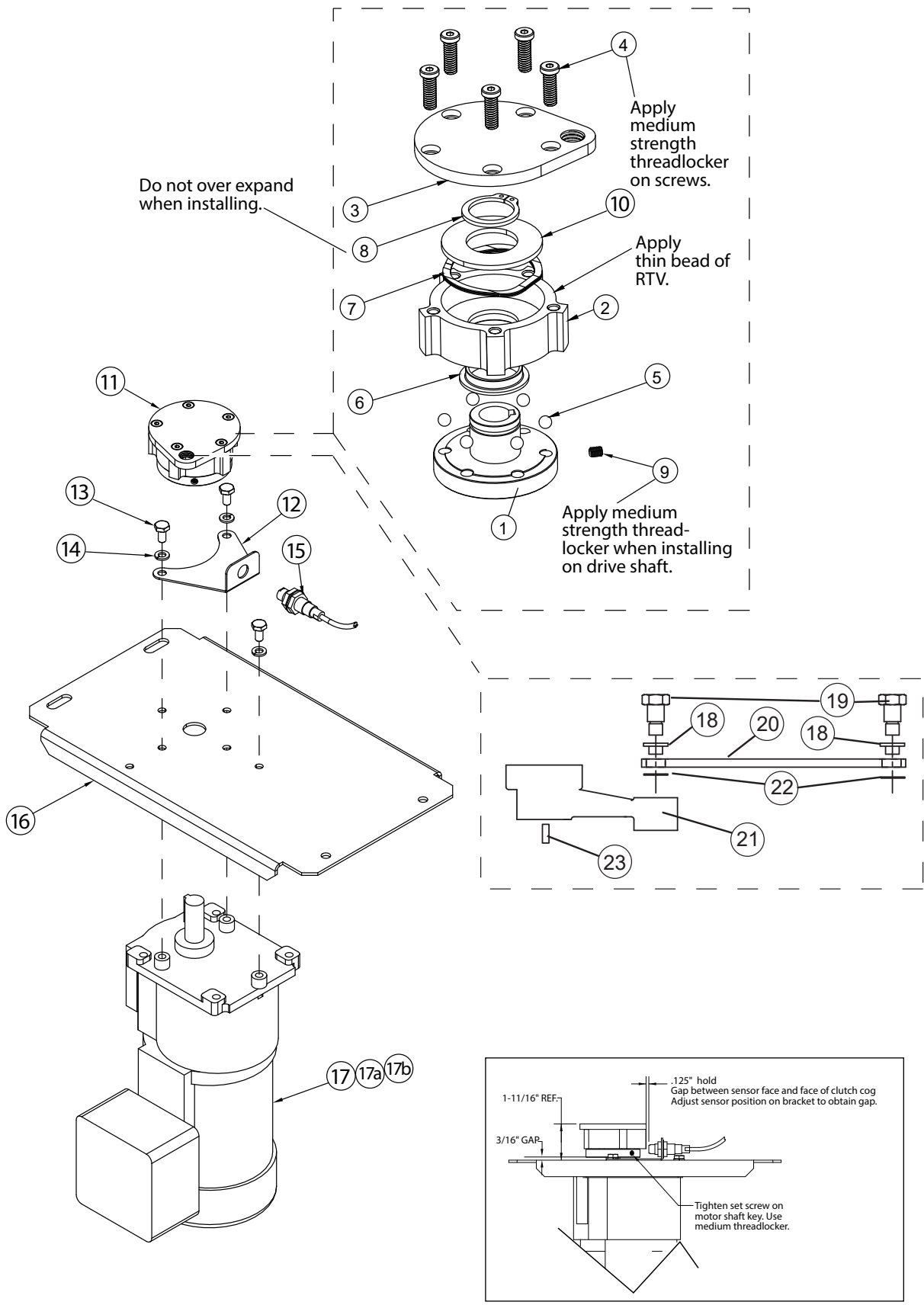


Item No.	Part No.	Description	Qty.
1	100003	HEX, PLAIN NUT, 1/4-20 SST	36
2	100154	HEX, PLAIN NUT, 5/16-18 SST	22
3	337720	WELDMENT, SWITCH	1
4	100141	HEX GRIP, NUT 1/4-20 CRT. LOCK SST	3
5	104618	WASHER, FLAT 3/8 SST	18
6	106013	WASHER, LOCK 5/16, SPLIT SST	4
7	106198	HEX, PLAIN JAM NUT, 5/16-18 SST	18
8	106474	SCREW, FLAT HEAD, 1/4-20 X 1-1/4" SST	8
9	106482	WASHER, LOCK 1/4" SPLIT SST	44
10	113692	SCREW, 3/8" X 3/4" X 5/16-18 SHOULDER, SST	2
11	116333	BEARING BLOCK, UHMW	4
12	116470	SCREW, 3/8" X 1/8" X 5/16-18 SHOULDER SST	2
13	105303	SPACER, SST	2
14	337303	CROSSRAIL, BEARING MOUNT	2
15	420923	PAWL BAR, PRO44-VHR, RH	1
15a	420922	PAWL BAR, PRO44 LH	1
15b	420924	PAWL BAR, 44PRO-VHR, LH	1
16	337078	TRACK	2
17	420921	PAWL BAR, 44PRO RH	1
18	337602-1	PAWL	A/R
19	337602-2	PAWL	A/R
20	337302	CROSSRAIL, SUPPORT	4
21	338180-1	IDLE PUMP/FINAL RINSE LEVER LR	2
21a	338180-2	IDLE PUMP/FINAL RINSE LEVER RL	2
22	113937	MAGNET	1
22a	104883	SCREW, 6-32 X 3/8" ROUND HEAD SST	2
22b	104971	NUT, GRIP 6-32 SST	2
22c	107033	WASHER, FLAT	2
23	107999	BOLT, HEX HEAD 1/4-20 X 1-3/4" SST	3
24	421192	VHR, 22" PAWL BAR ASSY., RH, GEN2	1
24a	421214	PRO, 36" PAWL BAR ASSY., RH, GEN2	1
24b	421216	VHR, 36" PAWL BAR ASSY., RH, GEN2	1
25	421191	VHR, 22" PAWL BAR ASSY., LH, GEN2	1
25a	421213	PRO, 36" PAWL BAR ASSY., LH, GEN2	1
25b	421215	VHR, 36" PAWL BAR ASSY., LH, GEN2	1
---	113719	SWITCH, REED (NOT SHOWN)	1

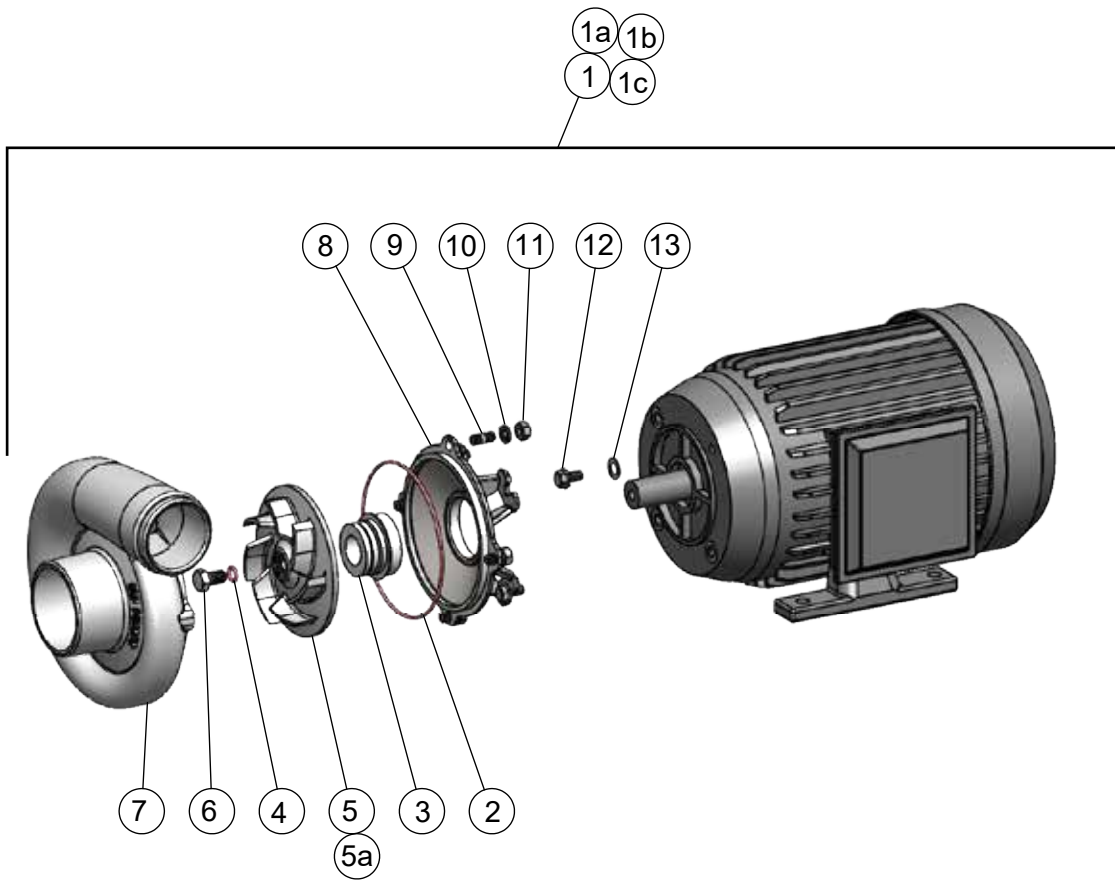


Item No.	Part No.	Description	Qty.
1	100097	SCREW, TRUSS HEAD, 10-32 X 1/2" SST	1
2	109010	HEX NUT, 3/8-16 SST, NYLON GRIP	4
3	100382	BEARING, RACK, DRIVE	1
4	100746	BOLT, HEX HEAD, 3/8-16 X 1-1/4" SST	4
5	100769	SCREW SET 3/8-16 X 3/4", DOG POINT	2
6	100868	ROLLER, STUD, CROSSHEAD	2
7	102244	SEAL, 5/8, 2-PIECE	1
8	103180	WIPER RING, CRANK, RACKS	1
9	104584	HEX PLAIN NUT, 1/2-13 SST	2
10	104618	WASHER, FLAT 3/8" SST	8
11	104916	KEY, 3/16" X 3/16" X 3/4" SST	1
12	104923	SCREW, ROUND HEAD, 1/4-20 X 3/8" SST	4
13	104925	WASHER, FLAT, 1/4" SST	1
14	107364	WASHER, FIBER, 1/4" ID X 7/8" OD	1
15	106482	WASHER, LOCK 1/4" SPLIT, SST	2
16	107589	WASHER, LOCK, 1/2" SPLIT, SST	1
17	116932	DRIVE, CRANK CASTING	2
18	202381	ROLLER, CROSSHEAD, RACK MACHINE	2
19	206303	GASKET, BEARING HOUSING	1
20	207430	SHAFT, DRIVE, V2 RACK	1
21	0501395	SET SCREW, 1/4-20 X 5/16" SST	1
22	B1074-1	BEARING, HOUSING, WITH BUSHING	1

Clutch Style - Continual Drive Assembly



Item No.	Part No.	Description	Qty.
1	117044	DRIVE CLUTCH, LOWER HUB	1
2	117045	DRIVE CLUTCH, OUTER HUB	1
3	117046	CLUTCH LINKAGE	1
4	117050	LOW PROFILE BOLT, 1/4-20	5
5	117051	.250" STAINLESS STEEL BALL	6
6	117052	GFI-1618-04 IGUS BEARING	1
7	117109	SMALLEY WAVE SPRING	1
8	117110	HEAVY DUTY RETAINING SPRING	1
9	117111	10-32 SS NON-MARRING SET SCREW	1
10	339623	PRO-DRIVE CLUTCH SPRING RETAINER	1
11	454231	PRO DRIVE CLUTCH	1
12	339377	DRIVE CLUTCH SENSOR BRACKET	1
13	100734	BOLT, HEX HEAD, 1/4-20 X 1/2" SST	3
14	106482	WASHER, LOCK, 1/4" SPLIT SST	3
15	117108	SENSOR, PROXIMITY	1
16	338708	BRACKET, CONTINUAL DRIVE MTR. SUPPORT	1
17	116533	GEARMOTOR, 1/6HP, MV/3PH, 16 RPM	A/R
17a	116749	GEARMOTOR, 1/6HP, 575/3PH, 16 RPM	A/R
17b	116682	GEARMOTOR, 1/6HP, 208-240/1PH, 16 RPM	A/R
(44 PRO FAMILY)			
17c	111768	GEARMOTOR, 1/6HP, MV/3PH, 20RPM	A/R
17d	117680	GEARMOTOR, 1/6HP, 575/3PH, 20 RPM	A/R
(54 PRO FAMILY)			
18	116364	BUSHING, 5/8" X 7/8" X 1/2" LG. FL	2
19	116638	BOLT, SHOULDER, 5/8" X 5/8" X 1/2-13 SST HEX HEAD	2
20	337082	LINKAGE, DRIVE	1
21	202386	CRANK, SST MACHINED	1
22	104882	WASHER	2
23	104915	KEY, 3/16" X 3/16" X 1-1/4"	1

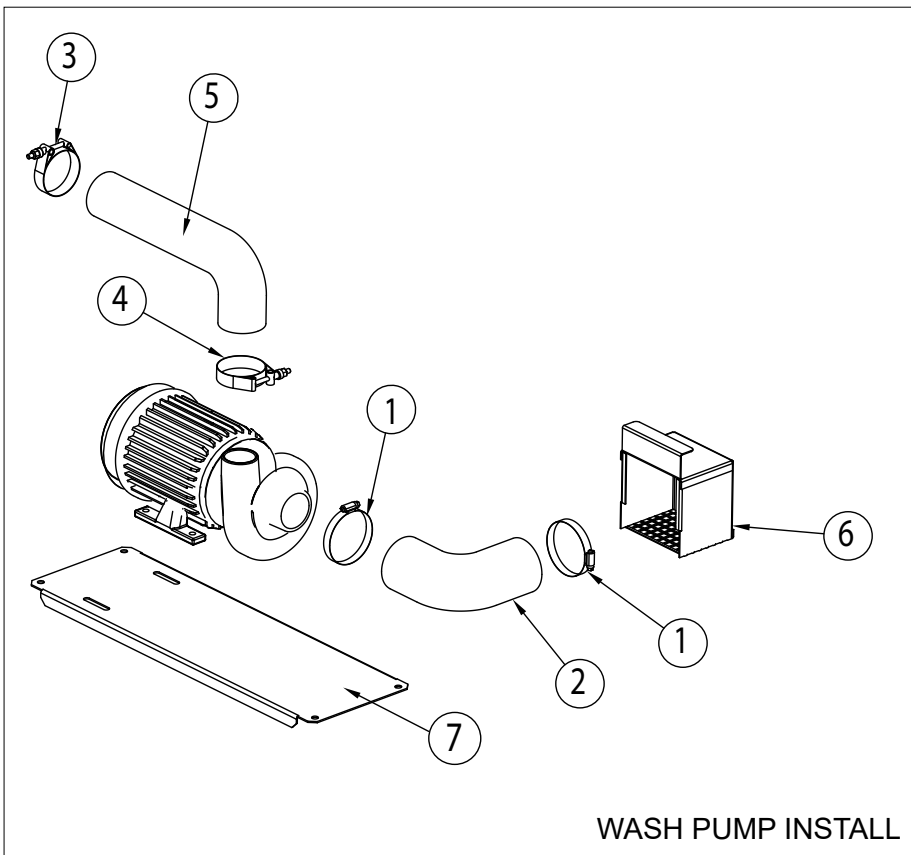
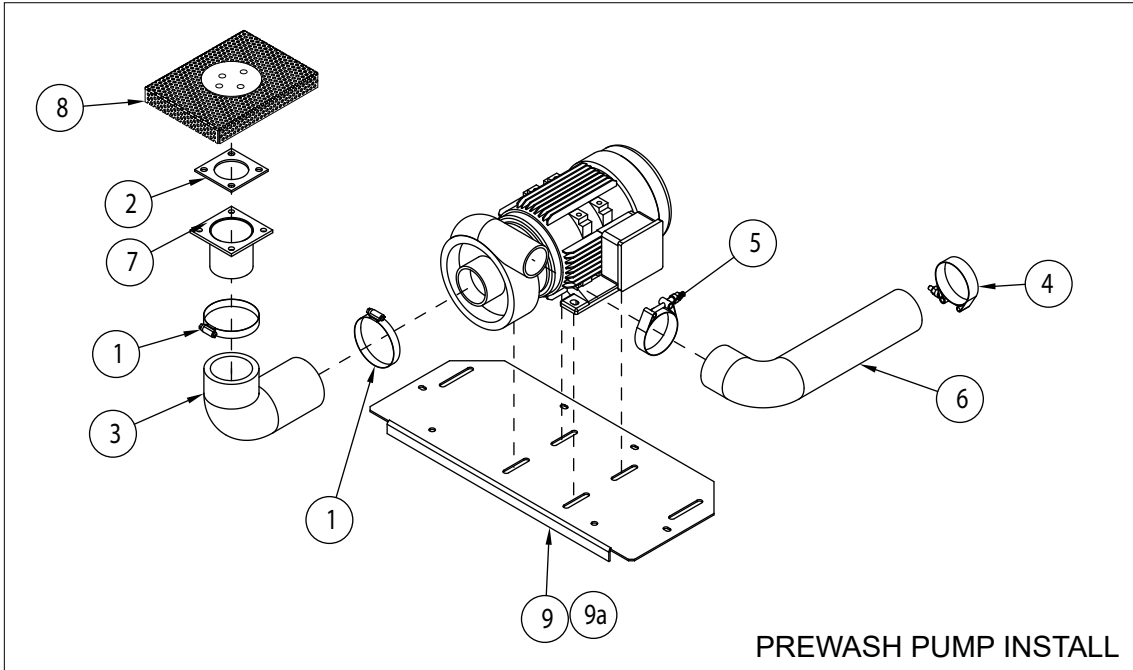


Item No.	Part No.	Description	Qty...
NOTE: MP pumps are BLUE in color - SCOT pumps are GRAY in color.			
1	116521	WASH PUMP/MOTOR, 2HP, MV/3, COMPLETE (BLUE MP)	1
1a	117152	WASH PUMP/MOTOR, 2HP, MV/3, COMPLETE (GRAY Scot)	1
1b	116745	WASH PUMP/MOTOR, 2HP, 575V/3, COMPLETE (BLUE MP)	1
1c	117153	WASH PUMP/MOTOR, 2HP, 575V/3, COMPLETE (GRAY SCOT)	1
2*	116729	O-RING HOUSING,	1
3*	116730	SEAL	1
4*	116757	O-RING IMPELLER	1
5*	116735	IMPELLER, WASH PUMP (BLUE MP)	1
5a	117291	IMPELLER, WASH PUMP (GRAY SCOT)	1
6*	116736	BOLT, M8 X 14, LEFT-HAND	1
7*	116870	HOUSING, PUMP	1
8*	116871	PLATE, ADAPTER	1
9*	116739	STUD, 1/4-20	4
10*	116740	1/4" WASHER, LOCK 1/4"	4
11*	116741	1/4-20 NUT, HEX HEAD 1/4-20	4
12*	116742	BOLT	4
13*	116743	WASHER	A/R

*** Includes items 2-13 (BLUE MP)**

---	901121	2HP KIT, REPLACEMENT PARTS (BLUE MP)	A/R
---	901122	2HP KIT, PUMP SEAL PARTS (BLUE MP)	
---	116868	MOTOR ONLY (208/240/480/60/3) (BLUE MP)	A/R
---	116869	MOTOR ONLY, 575V/60/3 (BLUE MP)	A/R
---	117293	2HP, PUMP, WET END ASSY,. (No Motor) (GRAY SCOT)	A/R
---	117164	KIT, (SEAL, O-RING, KEY, SLINGER) (GRAY SCOT)	A/R

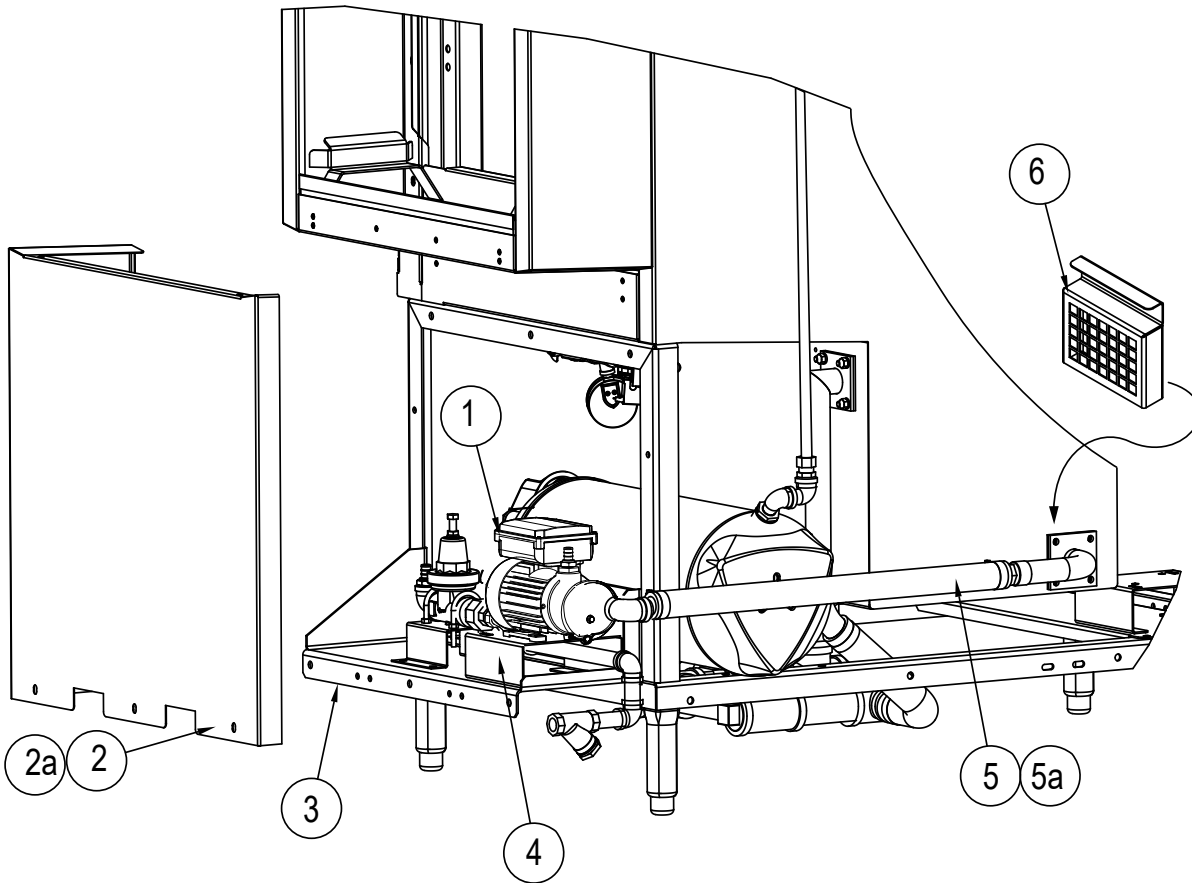
Pump Installations



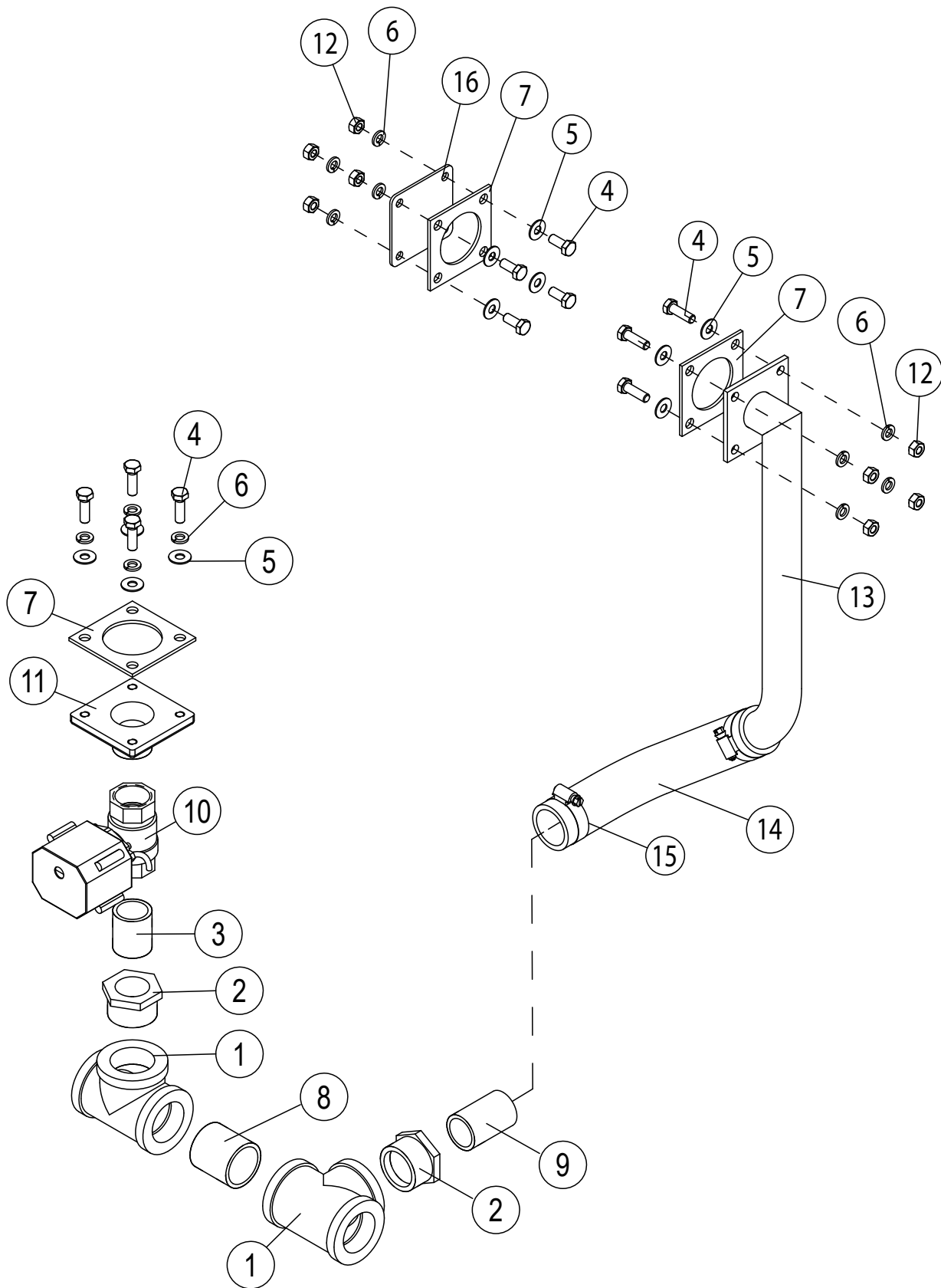
Item No.	Part No.	Description	Qty.
PREWASH INSTALL			
1	104203	CLAMP, HOSE M52 GEAR-TYPE SST	2
2	109568	GASKET	1
3	110372	HOSE, PUMP SUCTION	1
4	110858	HOSE CLAMP, HIGH PRESSURE	1
5	111964	HOSE CLAMP, HIGH PRESSURE	1
6	113731	HOSE, PUMP DISCHARGE	1
7	307995	FLANGE, SUCTION	1
8	341145	SCREEN, SUCTION	1
9	337209	PLATE, PUMP MOTOR SUPPORT, 22PRO	1
9a	339761	PLATE, PUMP MOTOR SUPPORT, 36PRO	1

Item No.	Part No.	Description	Qty.
WASH INSTALL			
1	104203	CLAMP, HOSE M52 GEAR-TYPE SST	2
2	110372	HOSE, PUMP SUCTION	1
3	110858	HOSE CLAMP, HIGH PRESSURE	1
4	111964	HOSE CLAMP, HIGH PRESSURE	1
5	113731	HOSE, PUMP DISCHARGE	1
6	319742	HOOD, PUMP SUCTION	1
7	337068	PLATE, PUMP MOTOR SUPPORT	1

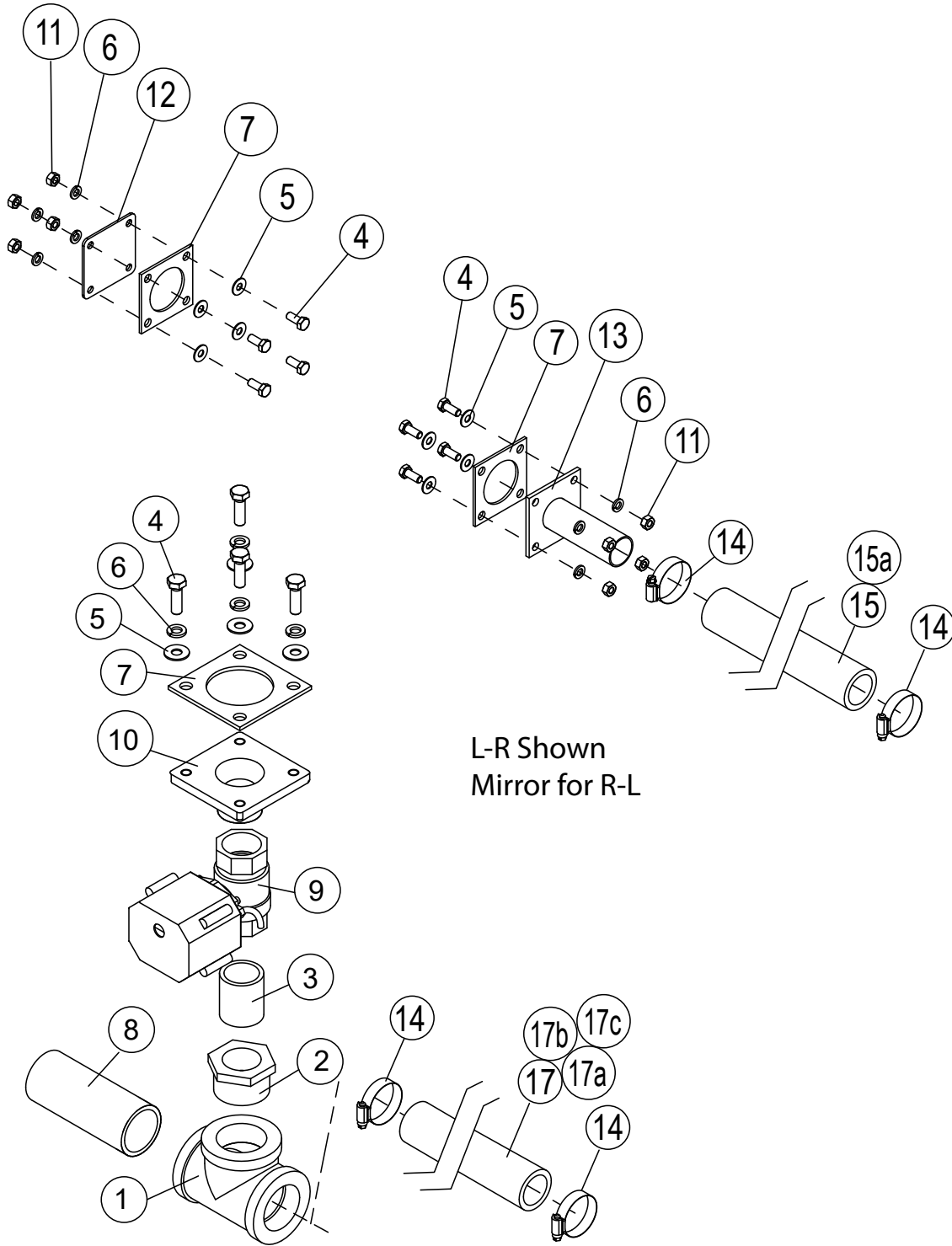
VHR - Recirculation Pump Install



Item No.	Part No.	Description	Qty.
VHR RECIRCULATION PUMP			
1	117253	VHR RECIRC PUMP/MOTOR, 1/6 HP, 115V/60/1	1
2	337332	PANEL RECIRC, PUMP (L-R)	1
2a	337332-2	PANEL RECIRC, PUMP (R-L)	
3	337331	BASE RECIRC. PUMP	1
4	337060	BRACKET, PUMP SUPPORT	1
5	207560	HOSE, SUCTION VHR, 1" ID X 21-1/4" LG.(L-R)	1
5a	207831	HOSE, SUCTION VHR, 1" ID X 11-1/4" LG.. (R-L)	
6	337674	STRAINER, PUMP SUCTION	1



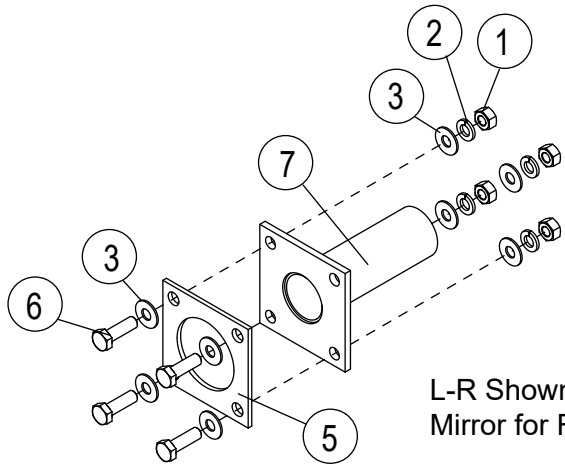
Item No.	Part No.	Description	Qty.
1	100510	TEE, 1-1/4" NPT, SST	1
2	100535	BUSHING, REDUCING 1-1/4" NPT SST	2
3	100694	NIPPLE, 1" NPT X CLOSE SST	2
4	100740	BOLT, HEX HEAD 5/16-18 X 1" SST	8
5	102376	WASHER, FLAT 5/16"	12
6	106013	WASHER LOCK, 5/16, SPLIT SST	12
7	108345	GASKET	3
8	111971	NIPPLE, 1-1/4" NPT X CLOSE, SST	1
9	116431	NIPPLE, TOE 1" NPT X 2" LG. SST	1
10	117659	VALVE, BALL 1" NPT , BRASS, 110-230V ELECTRIC NC	1
11	207802	FLANGE, DRAIN, 1" MNPT SST	1
12	100154	HEX, PLAIN NUT, 5/16-18 SST	8
13	337954	OVERFLOW, WELDMENT	1
14	116859	HOSE, OVERFLOW	1
15	105993	CLAMP, HOSE M20 GEAR-TYPE SST	2
16	314388-1	FLANGE, BLOCK-OFF PLATE	1



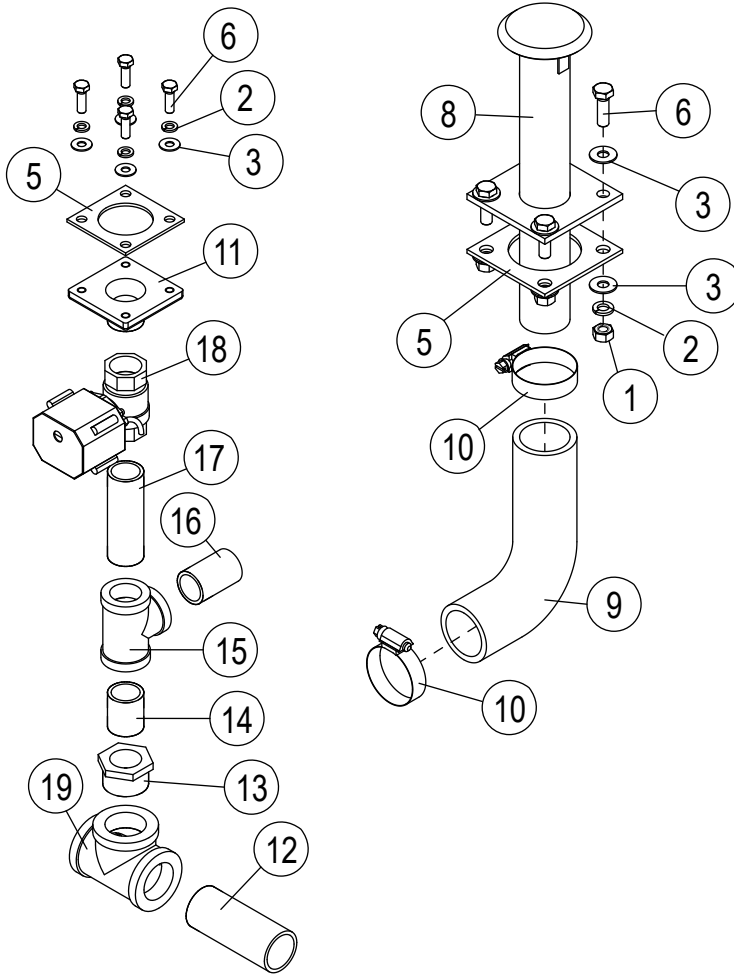
L-R Shown
Mirror for R-L

Item No.	Part No.	Description	Qty.
1	100510	TEE, 1-14" NPT SST	1
2	100535	BUSHING, REDUCING, 1-1/4" NPT X 1" NPT, SST	1
3	100694	NIPPLE, 1" NPT X CLOSE, SST	1
4	100740	CAP SCREW, HEX HEAD, 5/16-18 X 1", SST	12
5	102376	WASHER, FLAT 5/16", SST	12
6	106013	WASHER, LOCK 5/16", SPLIT, SST	12
7	108345	GASKET	3
8	115205	NIPPLE, TOE, 1-1/4" NPT X 4" LG., SST	1
9	117659	VALVE, BALL 1" NPT BRASS. 110-230V ELECTRIC	1
10	207802	FLANGE, DRAIN 1"MNPT SST	1
11	100154	HEX PLAIN NUT, 5/1618, SST	8
12	314388-1	FLANGE, BLOCK-OFF	1
13	334719	STUB, WELDMENT CROSSFLOW	1
14	105993	CLAMP, HOSE, M28 GEAR-TYPE, SST	2
15	207216	HOSE, CROSSFLOW, 1.38" ID X 17" LG. EPDM 22 R-L, 22 L-R, and 36 R-L, 36 L-R	
15a	205199	HOSE, CROSSFLOW, 1-3/8" ID X 11-1/2" LG. EPDM, 22FF R-L, 22FF L-R	1
16	207937	HOSE, 1-5/8" ID X 22" LG. EPDM, 22FF L-R	1
16a	207775	HOSE, 1-5/8" ID X 43" LG. EPDM, 36 L-R	1
16b	117060	HOSE, 1-5/8" ID X 30" LG. EPDM, 22 L-R	1
16c	117061	HOSE, 1-5/8" ID X 25" LG. 22 R-L 36 R-L, 22FF R-L	1

Prewash Drain Assembly (All Models)

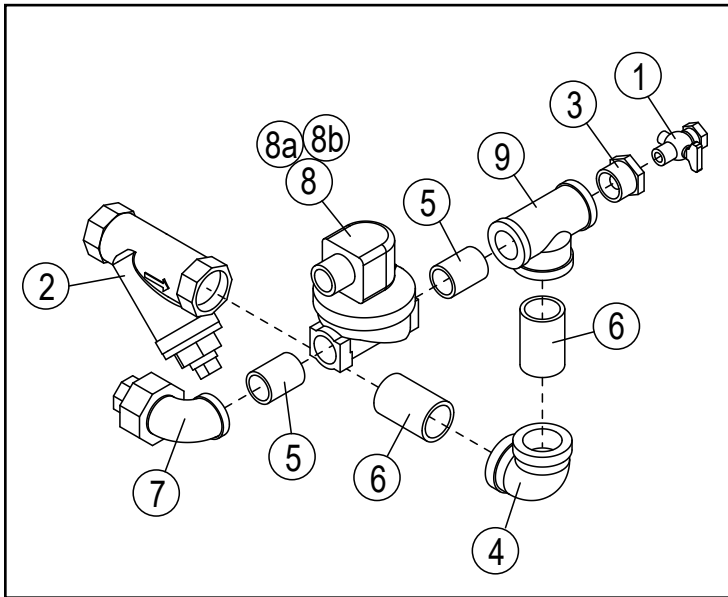
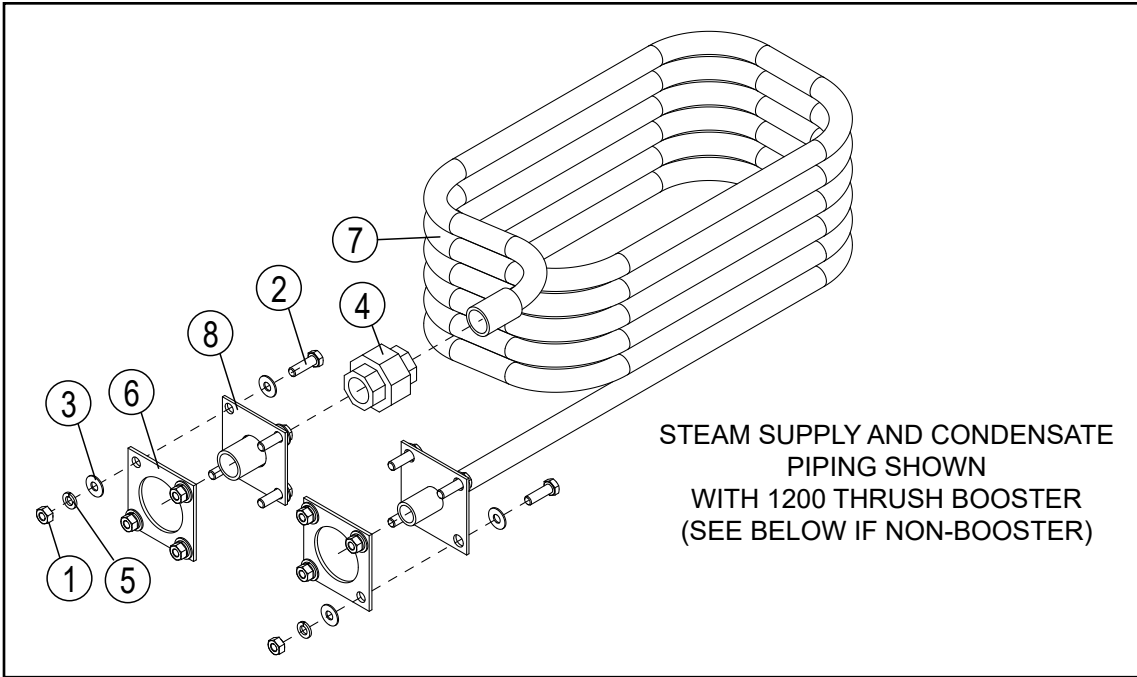


L-R Shown
Mirror for R-L

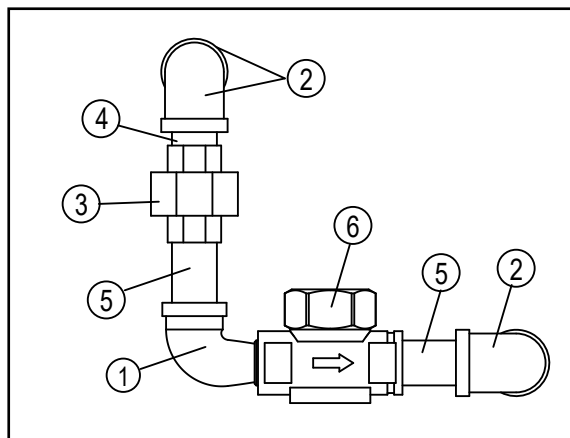


Item No.	Part No.	Description	Qty.
1	100154	HEX, PLAIN NUT, 5/16-18 SST	12
2	106013	WASHER, LOCK 5/16" SPLIT, SST	16
3	102376	WASHER, FLAT 5/16"	28
4	314388-1	FLANGE, BLOCK-OFF 12 GALV.	1
5	108345	GASKET	4
6	100740	BOLT, HEX HEAD 5/16-18 X 1" SST	16
7	334719	STUB, WELDMENT, CROSSFLOW	1
8	339425	OVERFLOW, WELDMENT	1
9	117018	HOSE, OVERFLOW	1
10	105993	CLAMP, HOSE, M20, SST, W/CS SCREW, SST	2
11	207802	DRAIN FLANGE, 1" MNPT, CAST, SST	1
12	115205	NIPPLE, TOE 1-1/4" X 4" SST	1
13	100535	BUSHING, REDUCING, 1-1/4" X 1" SST	1
14	100694	NIPPLE, CLOSE 1" NPT, SST	1
15	102530	TEE, 1" NPT, SST	1
16	116431	NIPPLE TOE, 1" X 2" SST	1
17	117019	NIPPLE, 1" X 3-3/4" SST	1
18	117659	VALVE, BALL, 1" BRASS, 110-230V, ELECTRIC, NC	1
19	100510	TEE, 1-1/4" NPT SST	1

Wash Steam Coil - (no booster piping)



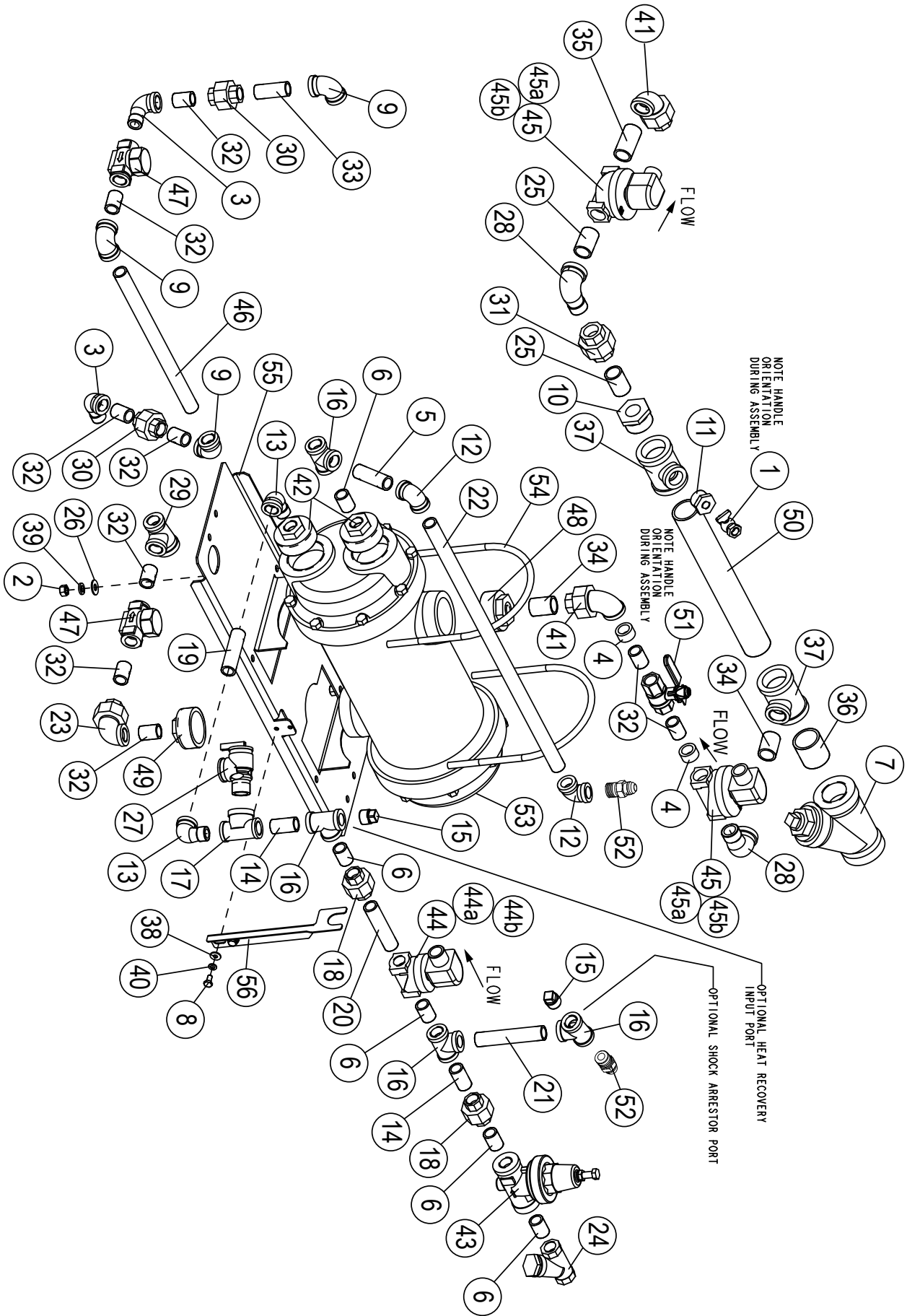
NO BOOSTER CONDENSATE PIPING



Item No.	Part No.	Description	Qty.
STEAM SUPPLY AND CONDENSATE PIPING SHOWN WITH 1200 THRU BOOSTER (SEE BELOW IF NON-BOOSTER)			
1	100154	HEX PLAIN, NUT 5/16-18, SST	8
2	100740	BOLT, HEX HEAD, 5/16-18 X 1" SST	8
3	102376	WASHER, FLAT 5/16"	16
4	102554	UNION, 3/4" NPT SST	1
5	106013	WASHER, LOCK 5/16" SPLIT	8
6	108345	GASKET	2
7	327908	COIL, STEAM	1
8	335644	FLANGE, WELDMENT STEAM COIL	1

Item No.	Part No.	Description	Qty.
STEAM PIPING IN - NO BOOSTER			
1	100123	PETCOCK, 1/4"NPT, FEMALE, BRASS	1
2	101248	LINE, STRAINER, 1" NPT BRASS	1
3	102403	BUSHING, REDUCING, 3/4" NPT X 1/4" NPT BRASS	1
4	105733	ELBOW, 1" NPT, X 2" LG., 90°, MI	1
5	105803	NIPPLE, 3/4" NPT, X CLOSE BI	2
6	105850	NIPPLE, 1" NPT X 2" LG., BI	2
7	106485	UNION, ELBOW, 3/4" NPT, STEAM	1
8	109887	VALVE, SOLENOID, 3/4" NPT, STEAM, 120VAC	2
8a	109093	KIT, REPAIR VALVE, 3/4"	A/R
8b	108516	COIL, SOLENOID VALVE 120VAC	A/R

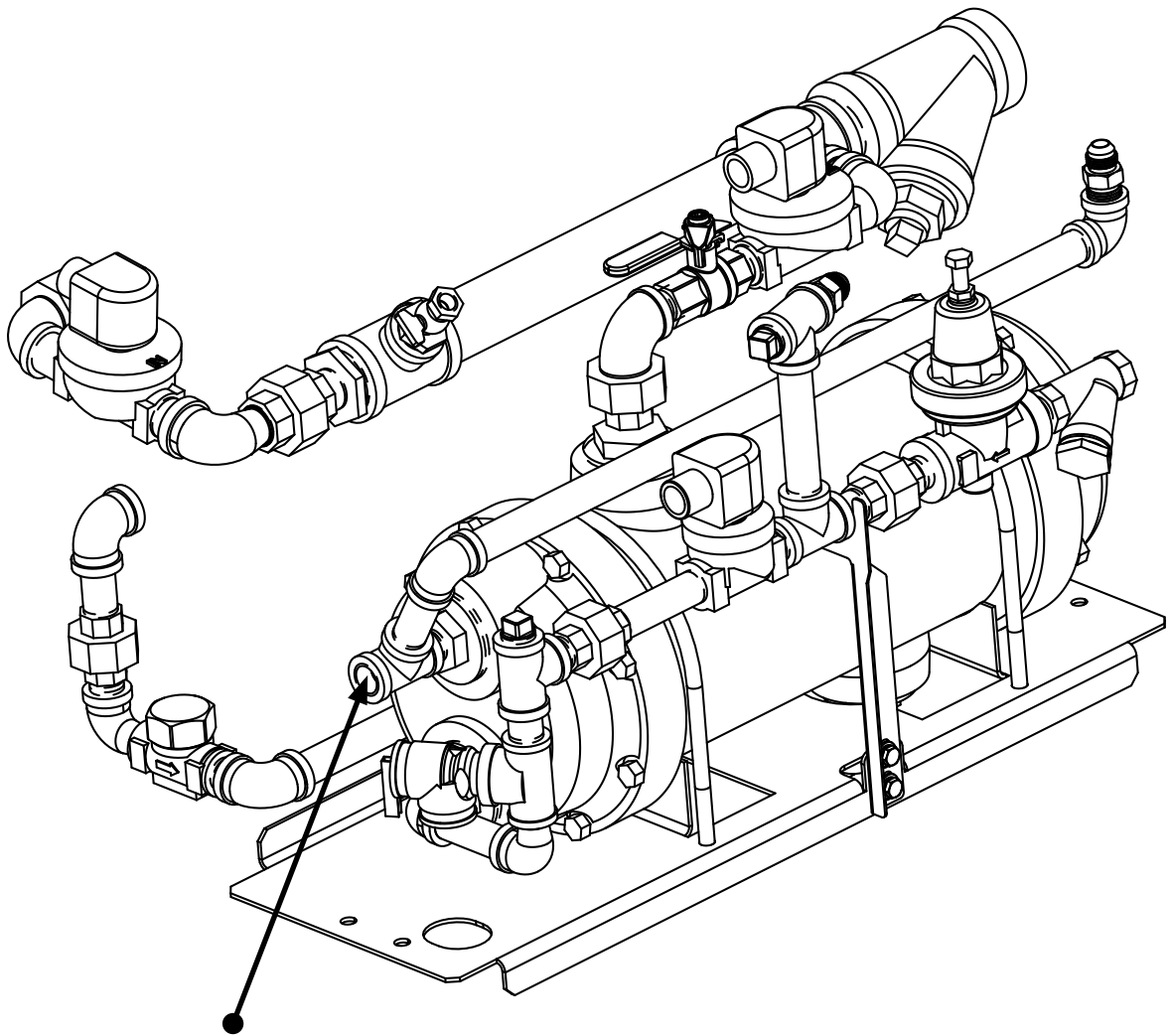
Item No.	Part No.	Description	Qty.
STEAM PIPING IN - NO BOOSTER			
1	100247	ELBOW, STREET, 1/2" NPT X 90° MI	1
2	102288	ELBOW , 1/2"NPT X 90° MI	2
3	105778	UNION, 1/2" NPT MI	1
4	105782	NIPPLE, 1/2" NPT X CLOSE, BI	1
5	105783	NIPPLE, 1/2" NPT, 2" LG., BI	1
6	111380	STEAM TRAP, 1/2" X TDC	1



Item No.	Part No.	Description	Qty.
1	100123	PETCOCK, 1/4" NPT, FEMALE, BRASS	1
2	100140	HEX PLAIN NUT, 3/8-16, SST	4
3	100147	ELBOW, STREET 1/2" NPT X 90°, MI	2
4	100171	BUSHING, REDUCER FACE, 3/4" X 1/2", BRASS	2
5	100206	NIPPLE, 1/2" NPT X 2-1/2" LG., BRASS	1
6	100209	NIPPLE, 1/2" NPT X CLOSE, BRASS	5
7	100263	LINE STRAINER, 1-1/4"	1
8	100734	CAP SCREW, HEX HEAD, 1/4-20 X 1/2" SST	2
9	102288	ELBOW, 1/2" NPT X 90°, MI	3
10	102399	BUSHING, REDUCING, 1-1/4" NPT X 3/4" NPT, BRASS	1
11	102403	BUSHING, REDUCING, 3/4" NPT X 1/4" NPT, BRASS	1
12	102435	ELBOW, 1/2" NPT X 90°, BRASS	2
13	102438	ELBOW, STREET, 1/2" NPT X 90°, BRASS	2
14	102485	NIPPLE, 1/2" NPT X 1-1/2" LG., BRASS	2
15	102504	PIPE PLUG, SQUARE HEAD, BRASS	2
16	102514	TEE, 1/2" NPT, BRASS	4
17	102519	TEE, REDUCING, 1/2" X 1/2" X 3/4", BRASS	1
18	102549	UNION, 1/2" NPT, BRASS	2
19	102567	NIPPLE, 1/2" NPT X 3" LG., BRASS	1
20	102569	NIPPLE, 1/2" NPT X 3-1/2" LG., BRASS	1
21	102571	NIPPLE, 1/2" NPT X 4-1/4" LG., BRASS	1
22	102620	NIPPLE, 1/2" NPT X 21-1/2" LG., BRASS	1
23	103433	UNION, ELBOW, 1/2" NPT, FEMALE	1
24	104421	STRAINER, LINE 1/2" NPT, BRONZE	1
25	104551	NIPPLE, 3/4" NPT X 1-1/2", BRASS	2
26	104618	WASHER, FLAT, 3/8" X 7/8" X .06, SST	4
27	104649	VALVE, PRESSURE RELIEF, 3/4" NPT, BRONZE	1
28	105731	ELBOW, STREET, 3/4" NPT X 90°, MI	2
29	105757	TEE, REDUCING, 3/4" X 1/2" X 1/2" NPT, MI	1
30	105778	UNION, 1/2" NPT X MI	2
31	105779	UNION, 3/4" NPT X MI	1
32	105782	NIPPLE, 1/2" NPT X CLOSE, BI	9
33	105783	NIPPLE, 1/2" NPT X 2" LG., BI	1
34	105803	NIPPLE, 3/4" NPT X CLOSE, BI	2
35	105806	NIPPLE, 3/4" NPT X 2" LG., BI	1
36	105872	NIPPLE, 1-1/4" NPT X CLOSE BI	1

Steam Booster - Thrush Model 1200 (continued)

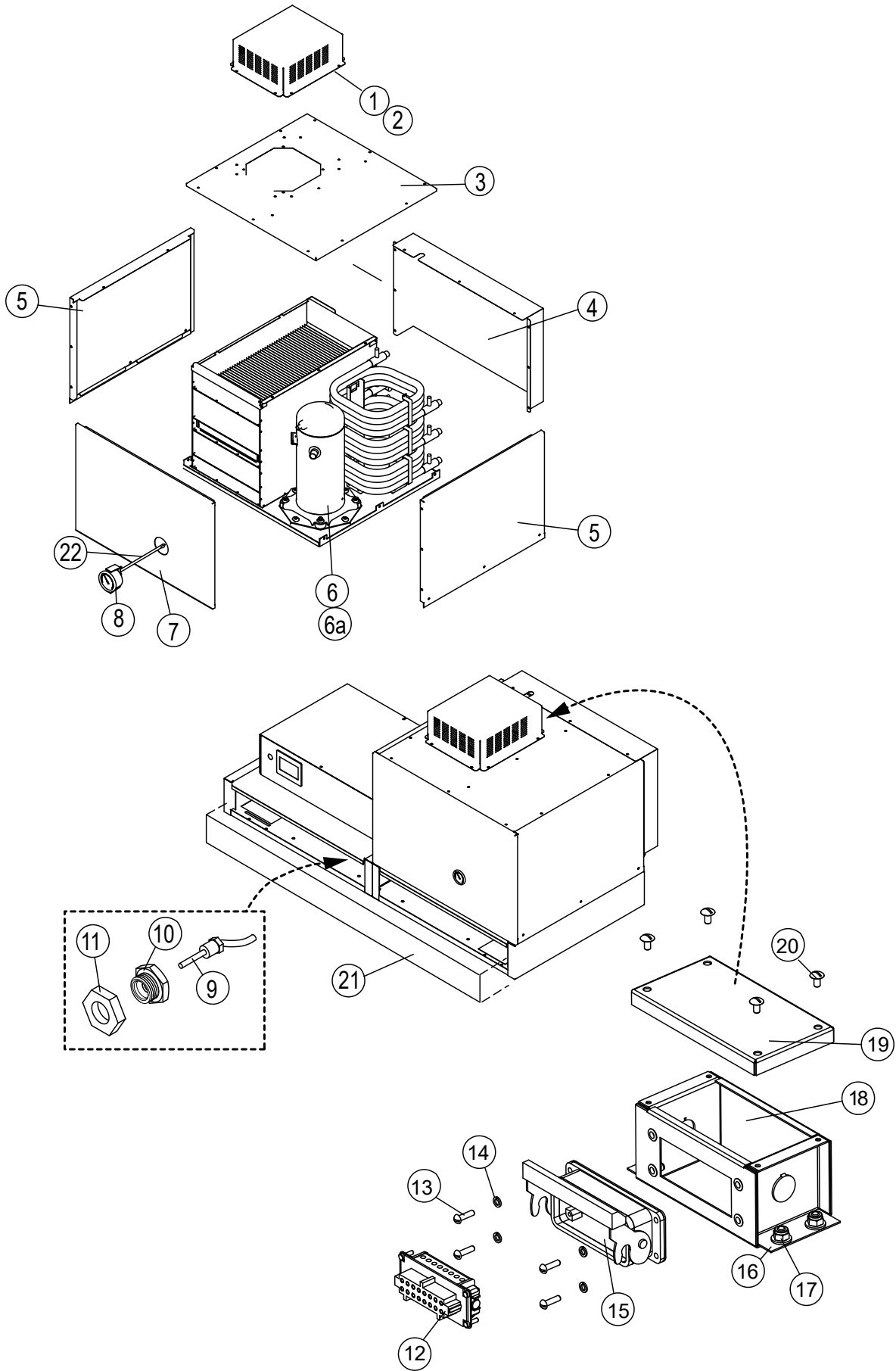
Item No.	Part No.	Description	Qty..
37	105897	TEE REDUCING, 1-1/4" X 1-1/4" X 3/4" NPT, MI	2
38	106026	WASHER, FLAT, SST	2
39	106407	WASHER, LOCK, 3/8" SPLIT SST	4
40	106482	WASHER, LOCK, 1/4" SPLIT SST	2
41	106485	UNION, ELBOW, 3/4" NPT X FEMALE	2
42	106582	BUSHING, REDUCING, 2" NPT X 1/2" NPT BRASS,	2
43	108265	VALVE PRESSURE 1/2" NPT BRONZE	1
44	109886	VALVE SOLENOID, 1/2" NPT, HW PARKER, 120VAC	1
44a	109902	KIT, REPAIR VALVE 1/2"	A/R
44b	108516	COIL, SOLENOID VALVE 120VAC	A/R
45	109887	VALVE, SOLENOID, 3/4" NPT, STEAM, 120VAC	2
45a	109093	KIT, REPAIR VALVE, 3/4"	A/R
45b	108516	COIL, SOLENOID VALVE 120VAC	A/R
46	109912	NIPPLE, 1/2" NPT X 12" LG., BI	1
47	111380	STEAM TRAP, 1/2" NPT, TDC	2
48	112341	BUSHING, REDUCING, 2" NPT X 3/4" NPT, BI	1
49	112365	BUSHING, REDUCING, 2" NPT X 1/2" NPT, BI	1
50	113920	NIPPLE, 1-1/4" NPT X 12" LG., BI	1
51	114460	VALVE, BALL, 1/2" FNPT, BRASS W/ SETTING INDICATOR	1
52	115101	COUPLING, MALE, 1/2" NPT S 1/2" 37D FLARE, JIC, BRASS	2
53	115640	BOOSTER, THRUSH #1200	1
54	116676	U-BOLT, #1200 BOOSTER	2
55	339902	THRUSH #1200, BOOSTER MOUNTING PLATE	1
56	339905	PIPING SUPPORT, THRUSH #1200 WATER FEED, PRO	1



THERMISTOR CAPILLARY INSTALLATION:

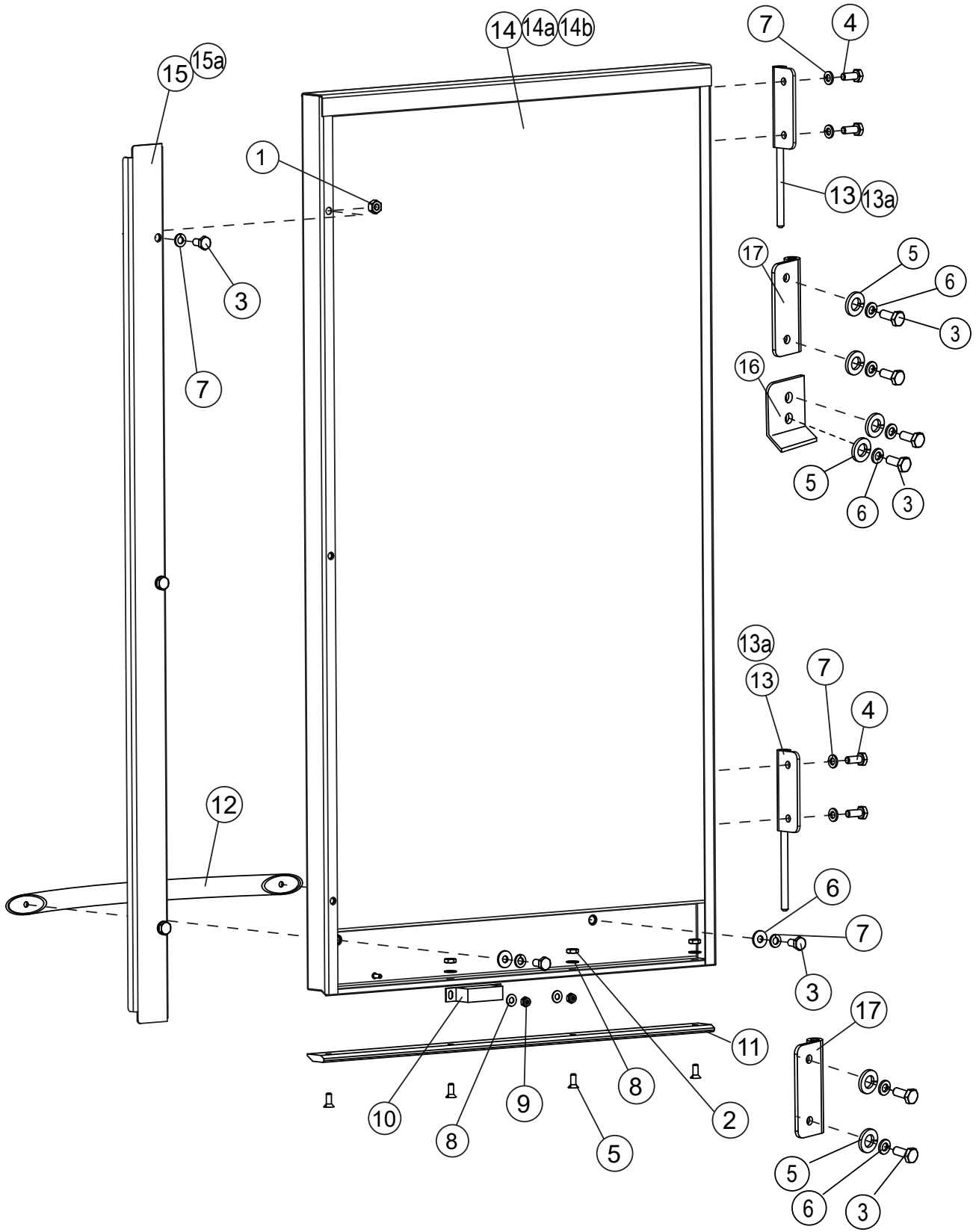
1. Install thermistor onto 1/2" x 1/8" reducing bushing (bushing shown removed from booster).
2. Adjust probe end depth to 16" past the face of the theristor ferrule fitting. Tighten ferrule.
3. Use flashlight to view into booster through the Tee fitting.
4. Slide thermistor lead into the center tube inside the booster
- (the tube is a small amount above the entry piping centerline).
5. Install thermistor/reducing bushing onto the booster.
6. Run machine to verify there are no unacceptably large temperature swings.
- If large swings are occurring, decrease ball valve opening to reduce steam input until swings are satisfactory.

VHR - Heat Pump Assembly



Item No.	Part No.	Description	Qty.
1	337395	COVER, FAN	1
2	116547	FAN, CENTRIFUGAL	1
3	337965	PANEL, TOP	1
4	337966	PANEL, REAR	1
5	337964	PANEL, SIDE	2
6	116569	PUMP, HEAT 208/60/3	1
6a	116570	PUMP, HEAT 480/60/3	1
6b	116907	PUMP HEAT, 575/60/3	
7	337963	PANEL, FRONT	1
8	109812	0-60 PSI GAUGE, PRESSURE, 0-60 PSI	1
9	114435	THERMISTOR, 10kΩ, 36" LEAD	1
10	115530	ADAPTER	1
11	100547	LOCKNUT, 1/2" NPT, SST	1
12	116920	16 PIN FEMALE SCREW CLAMP	1
13	110159	SCREW, ROUND HEAD, 8-32 X 5/8" SST	4
14	106486	WASHER, LOCK #10 SPLIT, SST	4
15	116922	BULKHEAD BASE W/END ENTRY	1
16	106026	WASHER, FLAT 1/4" SST	4
17	107967	HEX GRIP NUT, 1/4-20 SST W/NYLON	4
18	339167	VHR WIRING RECEPTACLE BOX	1
19	339032	COVER, SST STATION, BLANK	1
20	100007	SCREW, TRUSS HEAD, 10-32 X 3/8" SST	4
21	339980	PANEL, ACCESS 44/66/80 PRO	1
22	107414	TUBING, NATURAL, 1/4"	A/R

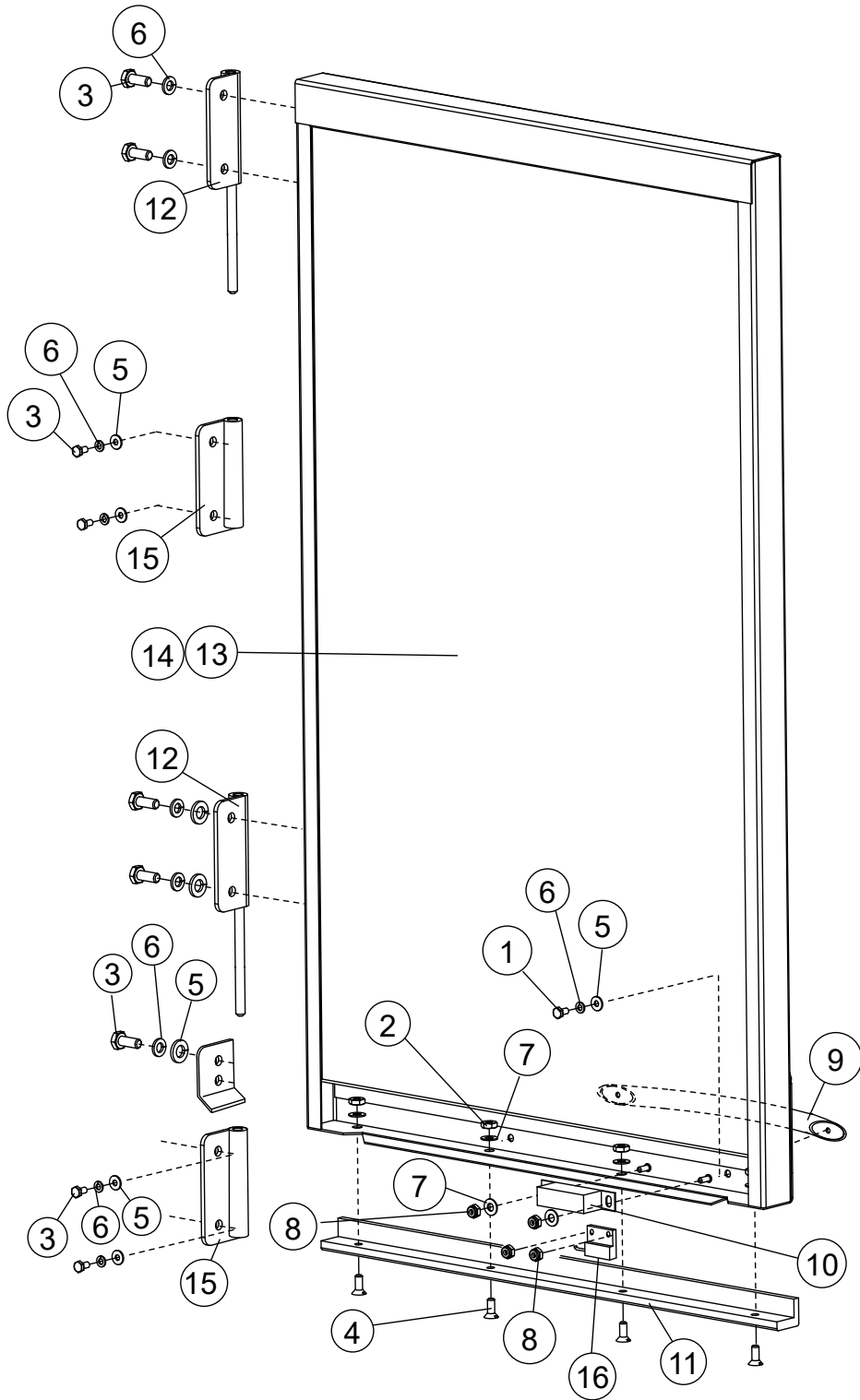
Wash Door with Bolt-on Center Strip



Item No.	Part No.	Description	Qty.
1	100003	HEX PLAIN NUT, 1/4-20 SST	3
2	100194	HEX GRIP NUT, 10-32 ST	4
3	100734	CAP SCREW, HEX HEAD, 1/4-20 X 1/2" SST	5
4	100735	CAP SCREW, HEX HEAD, 1/4-20 X 5/8" SST	10
5	100754	SCREW, FLAT HEAD, 10-32 X 1/2" SST	4
6	106026	WASHER, FLAT, 1/4" SST	8
7	106482	WASHER, LOCK, 1/4" SPLIT, SST	15
8	107033	WASHER, FLAT	6
9	108954	HEX GRIP NUT, 6-32 SST W/NYLON	2
10	113937	MAGNET, REED SWITCH	1
11	115612	WEAR STRIP, DOOR BOTTOM,	1
12	115665	HANDLE, DOOR	1
13	335151	DOOR HINGE, LH	2
13a	335152	DOOR HINGE, RH	2
14	340774	DOOR WELDMENT, LH, STANDARD	1
14a	340775	DOOR WELDMENT, RH, STANDARD	1
14b	340776	DOOR WELDMENT, LH, HIGH HOOD	1
14c	340777	DOOR WELDMENT, RH, HIGH HOOD	1
*15	340782	CHANNEL, DOOR STRIP, BOLT-ON, STANDARD	1
*15a	340783	CHANNEL, DOOR STRIP, BOLT-ON, HIGH HOOD	1
16	335977	STOP, HINGE DOOR REMOVAL	1
17	336683	HINGE, HOOD SIDE	2

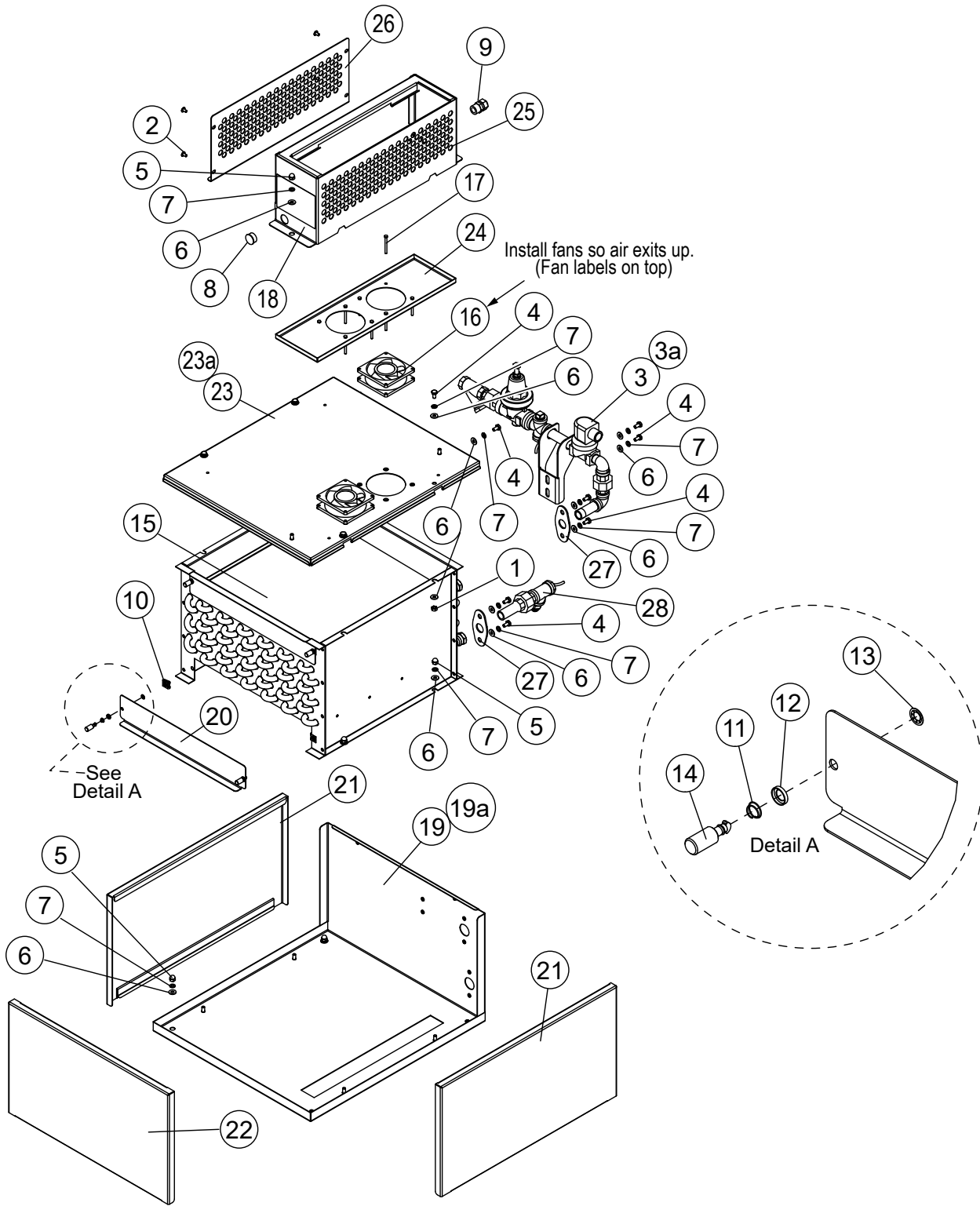
* **NOTE:** Door strip mounts on L-H door on a LR machine.
 Door strip mounts on RH door on a R-L machine.

22" and 36" Prewash Doors



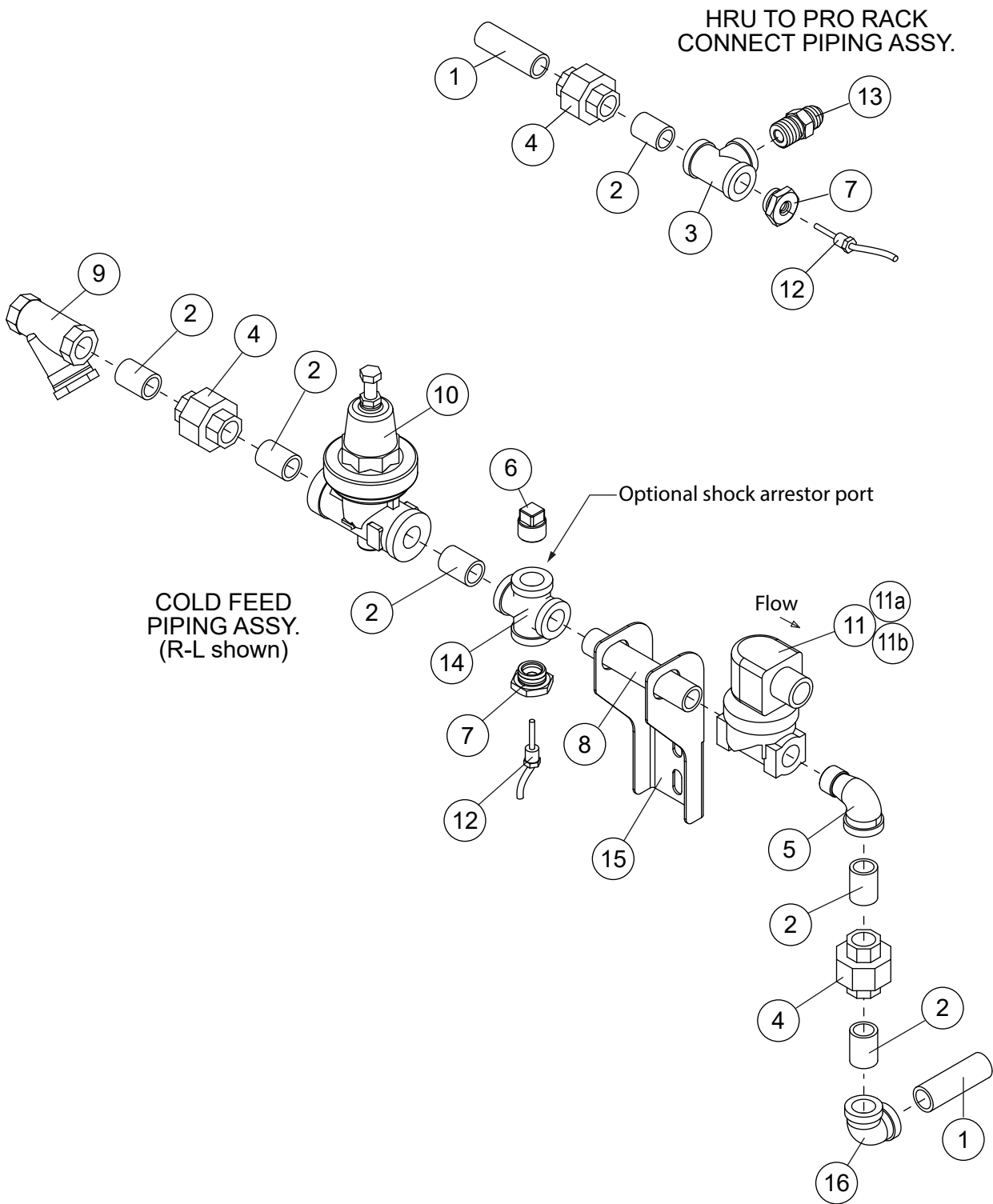
Item No.	Part No.	Description	Qty.
1	100073	BOLT, HEX HEAD, 1/4-20 X 1/2" SST	2
2	100194	NUT, HEX GRIP 10-32 SST (22PW Qty. 4)(36PW Qty.5) ←	
3	100735	BOLT, HEX HEAD 1/4-20 X 5/8" SST	12
4	100754	SCREW, FLAT HEAD 10-32 X 1/2" (22PW Qty.4)(36PW Qty.5)	
5	106026	WASHER, FLAT 1/4" SST	8
6	106482	WASHER, LOCK 1/4" SPLIT SST	12
7	107033	WASHER, FLAT SST	6
8	108954	NUT, HEX GRIP 6-32 SST W/NYLON INSERT	2
9	115665	HANDLE, DOOR	1
10	113937	MAGNET, REED SWITCH	1
11	116175	STRIP, WEAR BOTTOM DOOR 22" PW	1
11a	116177	STRIP, WEAR BOTTOM DOOR 36" PW	1
12	335152	HINGE, DOOR WELDMENT	2
13	337199	DOOR, STANDARD HOOD, 22" PW	1
13a	338042	DOOR, HIGH HOOD, 22" PW	1
13b	337865	DOOR, STANDARD, 36" PW	1
13c	339642	DOOR, HIGH HOOD 36" PW	1
14	335977	STOP, HINGED DOOR REMOVAL	1
15	336683	HINGE, HOOD SIDE	2
16	113721	SWITCH, DOOR SAFETY	1

Heat Recovery Unit (HRU) Assembly



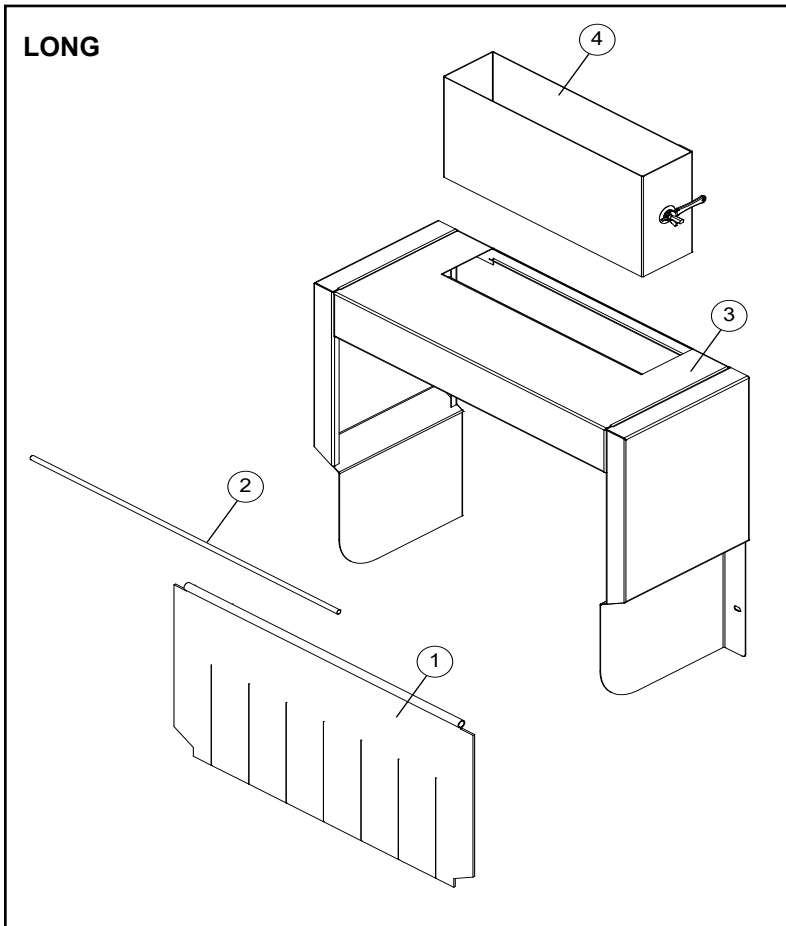
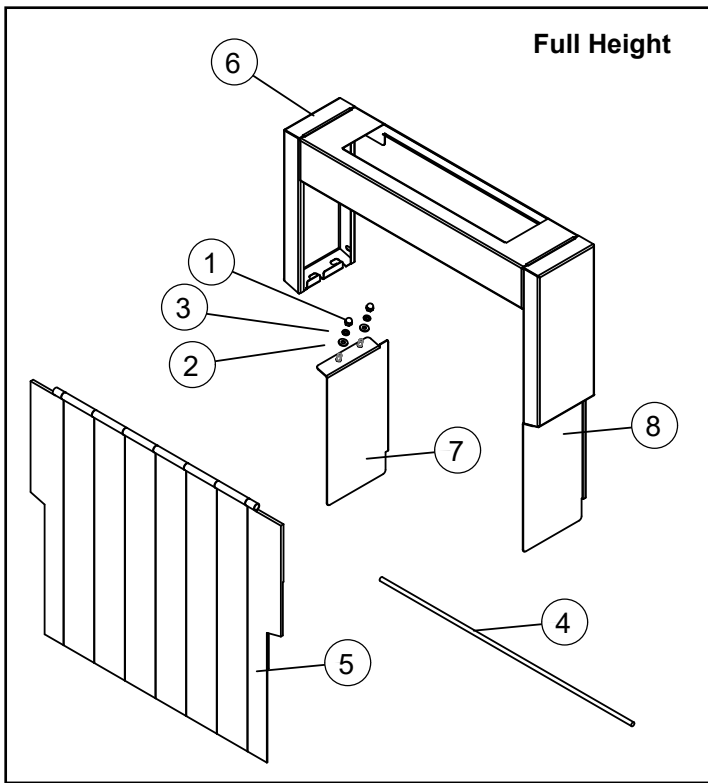
Item No.	Part No.	Description	Qty.
1	100003	HEX PLAIN NUT, 1/4-20 SST	4
2	100007	SCREW, TRUSS HEAD, 10-32 X 3/8" SST	4
3	602539-LR	PIPING ASSEMBLY, COLD FEED, LR (See next page)	1
3a	602539-RL	PIPING ASSEMBLY, COLD FEED, RL (See next page)	1
4	100734	CAP SCREW, HEX HEAD, 1/4-20 X 1/2" SST	12
5	106014	HEX ACORN PLAIN NUT, 1/4-20 SST	8
6	106026	WASHER, FLAT, 1/4" SST	24
7	106482	WASHER, LOCK, 1/4" SPLIT SST	20
8	112519	PLUG, SNAP, D-FLAT	1
9	114365	CORD GRIP, LIQUID LIQITITE, W/LOCKNUT 1/2" NPT	1
10	114646	RECEPTACLE, 1/4 TURN, #82	4
11	114647	SPRING, 1/4 TURN, SST #82	4
12	114648	WASHER, WEAR, CUPPED, #82	4
13	114649	RING, RETAINER, SST, #82	4
14	114650	STUD, 1/4 TURN, KNURLED SST #82	4
15	116911	COIL, ASSEMBLY, PRO RACK, HRU	1
16	116953	FAN. NMB. 24VDC, 105.9 CFM	2
17	116954	SCREW HEX HEAD, 8-32 X 1-3/4" SST	8
18	117622	LABEL, PERMANENT FREEZE DAMAGE	1
19	339109	COIL, BASE WELD, PRO HRU, LR	1
19a	339110	COIL, BASE WELD, PRO HRU, RL	
20	339111	CLEANING, ACCESS, COVER, DEVP., PRO HRU	2
21	339114	SIDE COVER, WELD, PRO HRU	2
22	339116	FRONT COVER, WELD., PRO HRU	1
23	339270	TOP COVER, WELD., PRO HRU, LR	1
23a	339271	TOP COVER, WELD., PRO HRU, RL	1
24	339282	VENT STACK, DRAIN PAN DEVP., PRO HRU	1
25	339288	VENT STACK, WELD., PRO HRU	1
26	339291	FAN, ACCESS PANEL, PRO HRU	1
27	340376	COIL, PIPE SUPPORT	2
28	602436	PIPING ASSEMBLY, HRU CONNECT (See next page)	1

Heat Recovery Unit (HRU) Fill Piping



Item No.	Part No.	Description	Qty.
1	100206	NIPPLE, 1/2" NPT X 1/2" NPT X 2-1/2" LG., BRASS	2
2	100209	NIPPLE, 1/2" NPT X CLOSE, BRASS	6
3	102514	TEE, 1/2" NPT, BRASS	1
4	102549	UNION, 1/2" NPT, BRASS	3
5	102438	ELBOW, STREET, 1/2" NPT X 90°, BRASS	1
6	102504	PLUG, 1/2" SQ. HEAD, BRASS	1
7	115530	ADAPTER, THERMOMETER, DIGITAL	2
8	102571	NIPPLE, 1/2" NPT X 4-1/4:" LG., BRASS	1
9	104421	STRAINER, LINE, 1/2" NPT, BRASS	1
10	108265	VALVE, PRESSURE REGULATING, 1/2" NPT, BRASS	1
11	109886	VALVE, SOLENOID, 1/2" NPT, HW PARKER, 120VAC	1
11a	109902	KIT, REPAIR VALVE 1/2"	A/R
11b	108516	COIL, SOLENOID VALVE 120VAC COIL	A/R
12	114435	THERMISTOR, 10KΩ, 36" LEAD	2
13	115501	COUPLING, MALE, 1/2" NPT X 1/2" 37D FLARE, JIC BRASS	1
14	100598	CROSS, 1/2" NPT, BRASS	1
15	339995	PRO HRU, FEED PIPING SUPPORT	1
16	102435	ELBOW, 1/2" NPT X 90°, BRASS	1

Full Height and Long Vent Cows ((except for VHR)

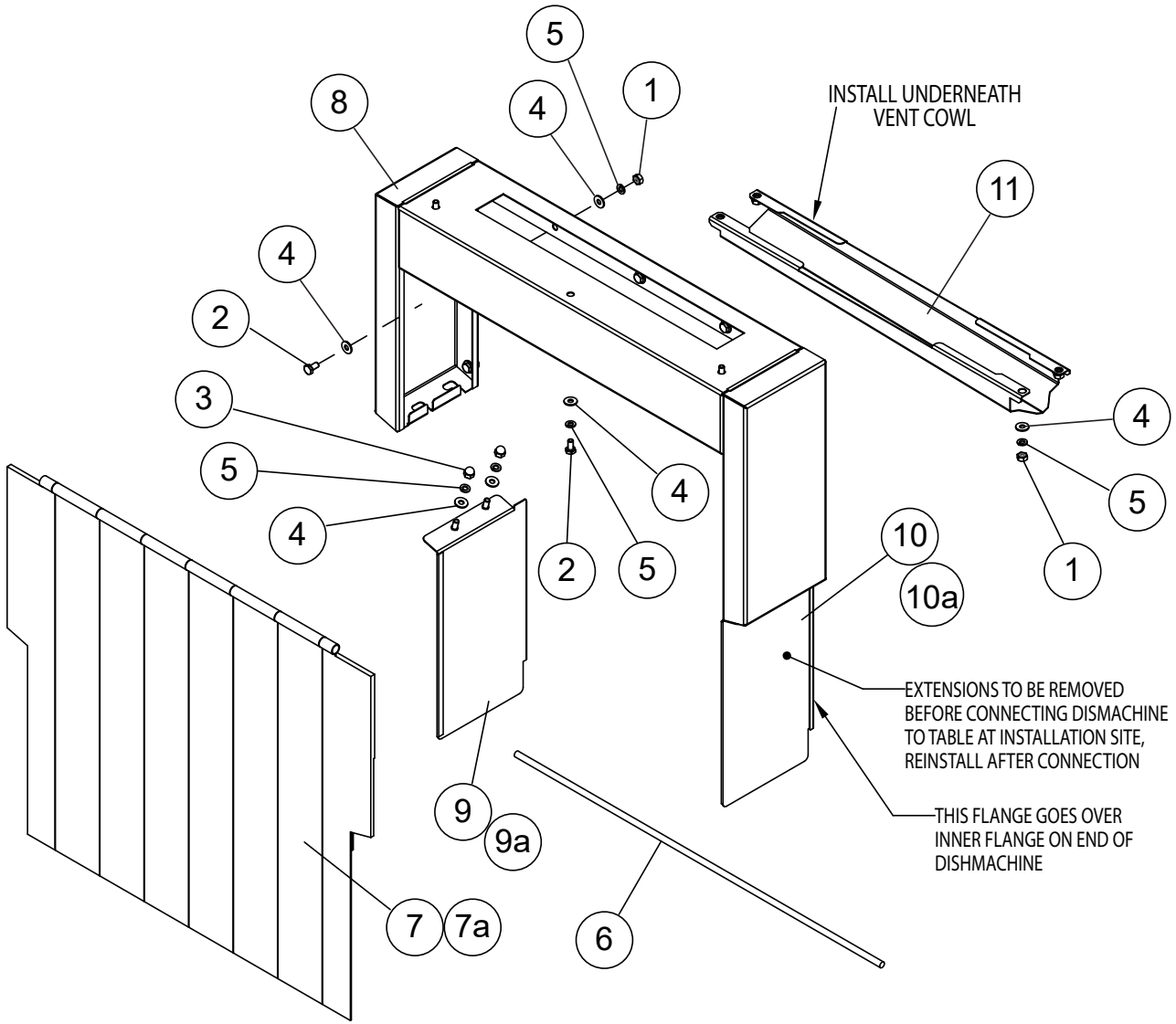


Full Height and Long Vent Cowls (except for VHR)

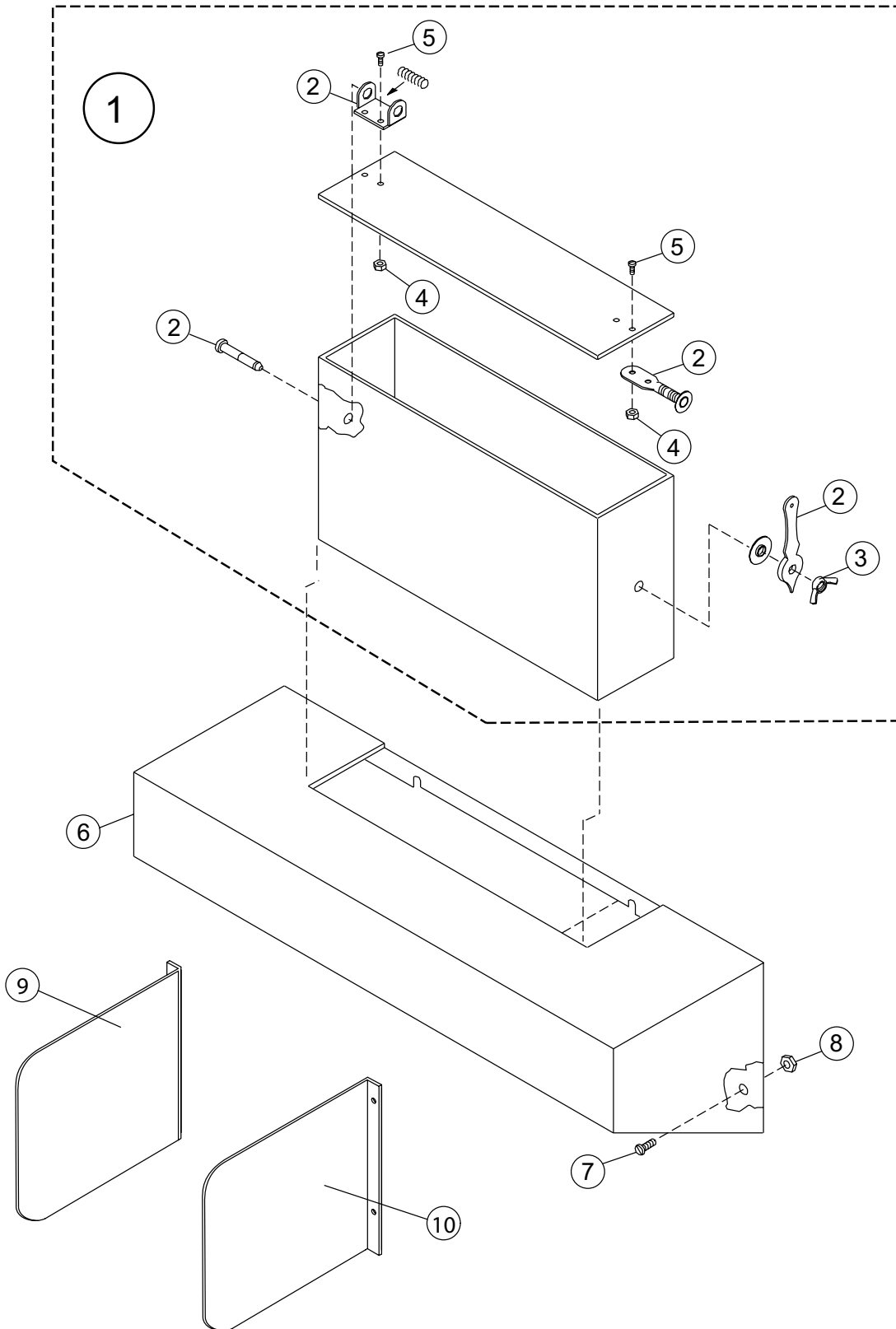
Item No.	Part No.	Description	Qty.
Full Height Vent Cowl (EXCEPT FOR VHR)			
1	106014	HEX ACORN PLAIN NUT, 1/4-20 SST	4
2	106026	WASHER, FLAT	4
3	106482	WASHER, LOCK, 1/4 SPLIT SST	4
4	108250	ROD, CURTAIN, 5/16" X 24-5/8" 304SS	1
5	116964	CURTAIN, ROD, HRU VENT COWL, FULL, HEIGHT	1
6	339435	VENT COWL, HOOD, FULL OPEN HEIGHT	1
7	340720-1	RACK, VENT COWL, SIDE EXT., FULL HEIGHT-FAS	1
8	340720-2	RACK, VENT COWL, SIDE EXT., STANDARD-FOP	1

Item No.	Part No.	Description	Qty.
Long Vent Cowl (EXCEPT FOR VHR)			
1	108043	CURTAIN, 24" X 13-1/4" TRIMMED	1
2	108250	ROD, CURTAIN	1
3	328344	VENT COWL, LONG	1
4	401487	VENT STACK, 4" X 16"	1

Heat Recovery Unit (HRU) Vent Cows

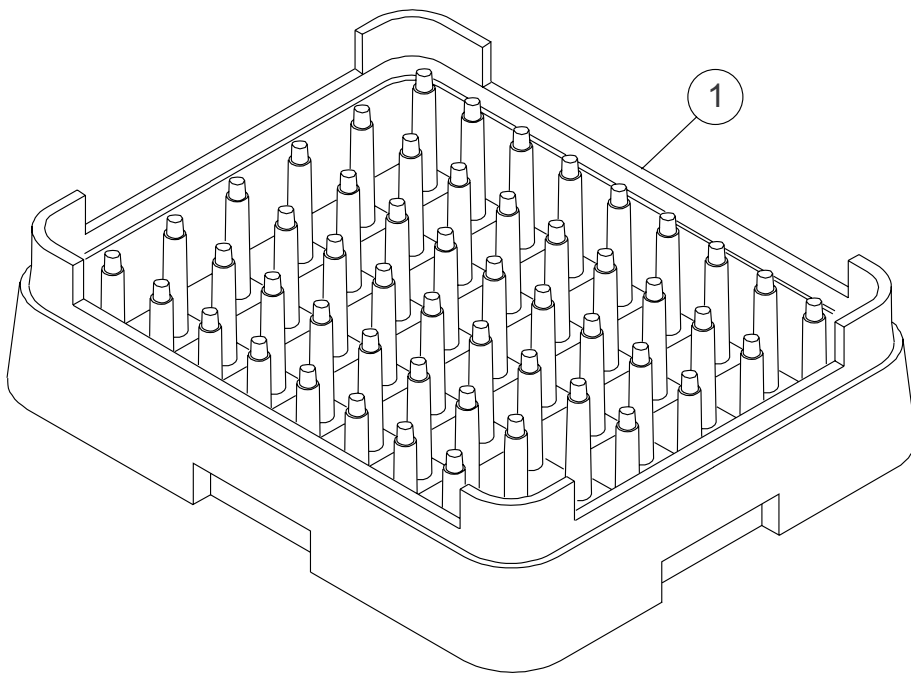
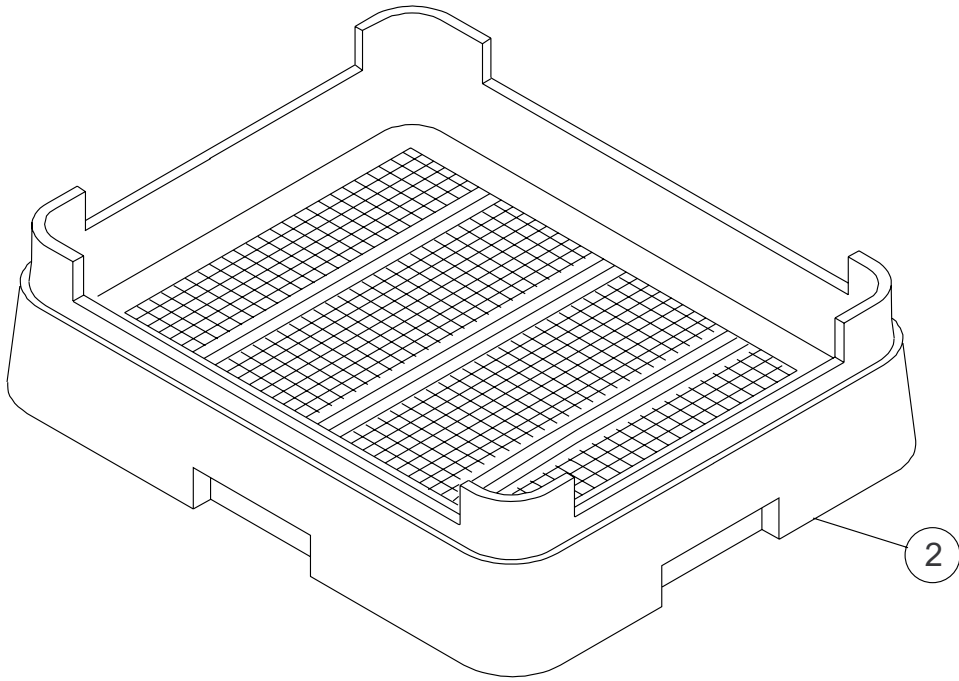


Item No.	Part No.	Description	Qty.
		Heat Recovery Unit (HRU) Standard Vent Cowl	
1	100003	HEX PLAIN NUT, 1/4-20 SST	13
2	100734	BOLT, HEX HEAD, 1/4-20 X 1/2" SST	12
3	106014	HEX ACORN PLAIN NUT, 1/4-20 SST	4
4	106026	WASHER, FLAT, 1/4" SST	29
5	106482	WASHER, LOCK, 1/4" SPLIT SST	20
6	108250	ROD, CURTAIN, 5/16 X 24-5/8", 304 SST	1
7	116964	CURTAIN, PRO HRU, VENT COWL, STD HT.	1
7a	117004	CURTAIN, PRO HRU, VENT COWL, HIGH HOOD	1
8	339106	VENT COWL, WELD., PRO HRU	1
9	340720-1	RACK VENT COWL, SIDE, STD. HT.	1
9a	340721-1	RACK VENT COWL, SIDE, HIGH HOOD	1
10	340720-2	RACK VENT COWL, SIDE, STD. HT.	1
10a	340721-2	RACK VENT COWL, SIDE, HIGH HOOD	1
11	339281	CONDENSATE, DRAIN PAN DEVP., PRO HRU	1



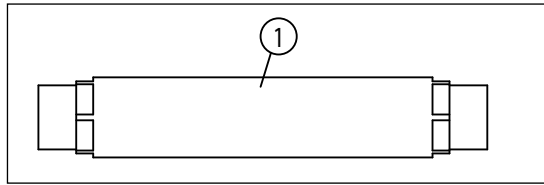
Item No.	Part No.	Description	Qty. Per Pair
1	401487-S	VENT STACK ASSEMBLY (INCLUDES ITEMS 2-5)	2
2	201589	REGULATOR ASSEMBLY	2
3	112258	NUT, WING 1/4-20 SST	2
4	108954	NUT, GRIP 6-32 W/NYLON INSERT	8
5	104883	SCREW 6-32 X 3/8 ROUND HEAD	8
6	337597	VENT COWL	2
7	100734	BOLT 1/4-20 X 1/2" HEX HEAD	8
8	100141	NUT GRIP 1/4-20	8
9	328995-1	SHIELD, SPLASH LH	1
10	328995-2	SHIELD, SPLASH RH	1

Dish Racks



Item No.	Part No.	Description	Qty.
1	101285	PEG RACK	A/R
2	101273	COMBINATION RACK	A/R

ION WATER CONDITIONER



Item No.	Part No.	Description	Qty....
1	901246	KIT, CHAMPION ION WTR. CONDITIONER, UNMOUNTED	1

Item Qty.....	Part No.	Description	
1	116751	KIT, DRAIN WATER TEMPERING, UNMOUNTED	1

MECHANICAL DRAIN WATER TEMPERING KIT



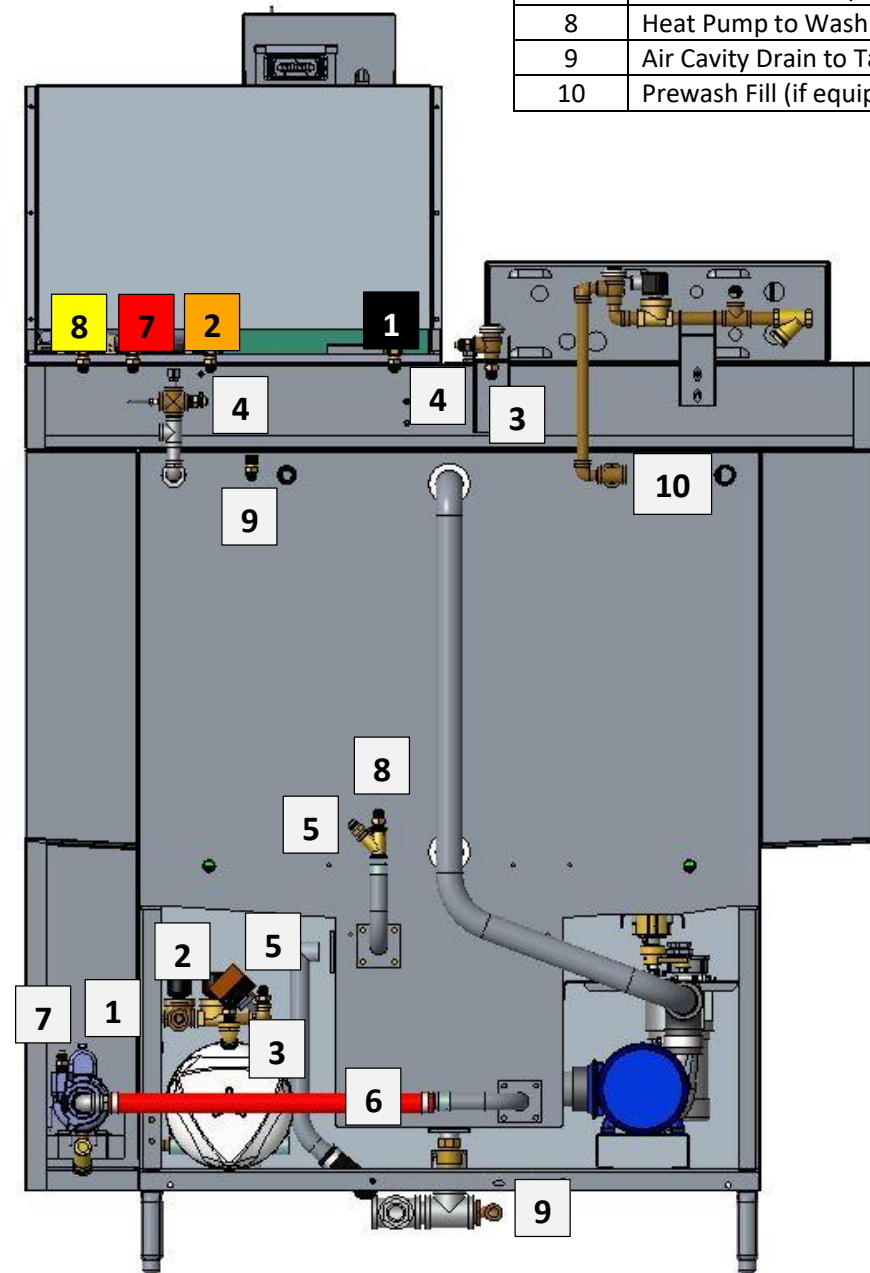
**This page
intentionally
left blank.**

HOSE DIAGRAMS

44PRO-VHR Hose Plumbing Diagram

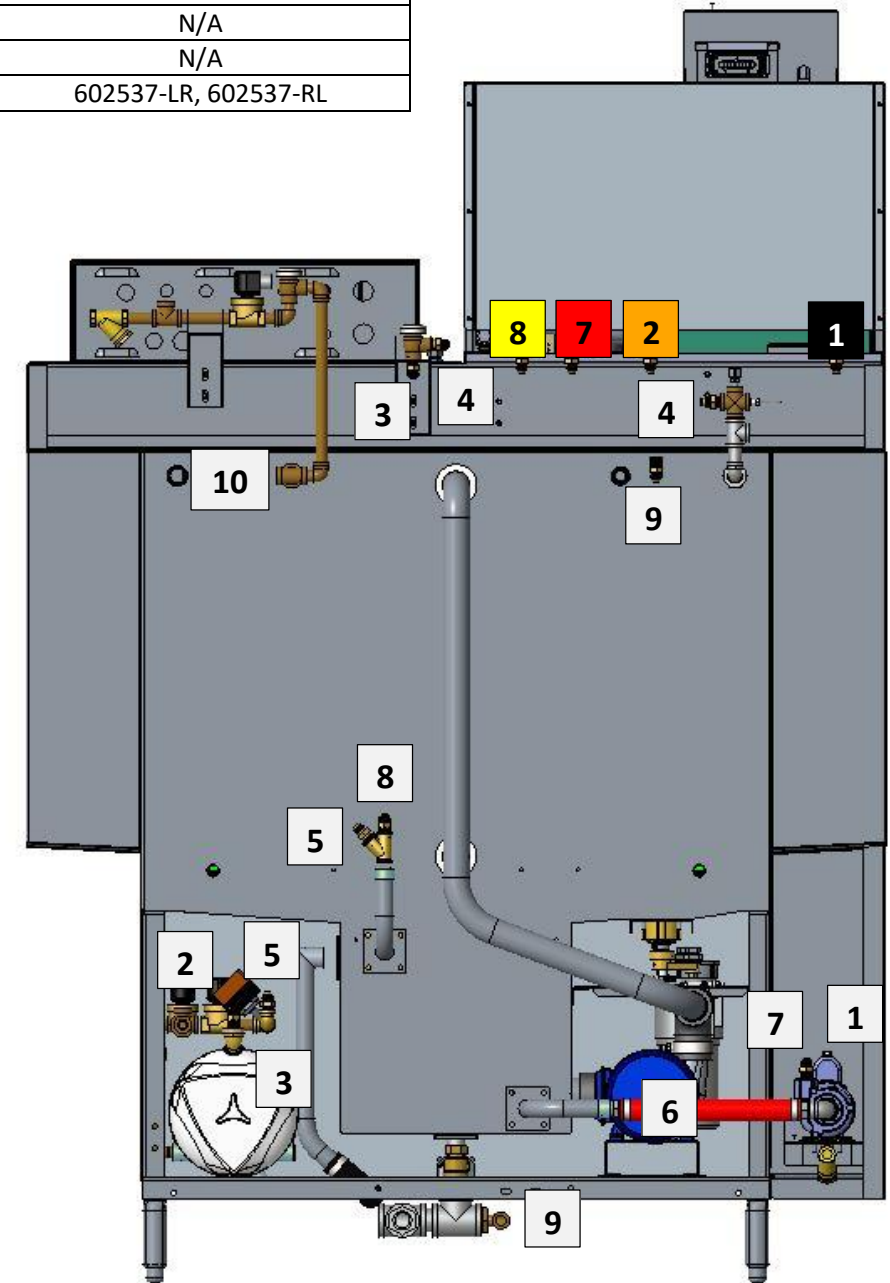
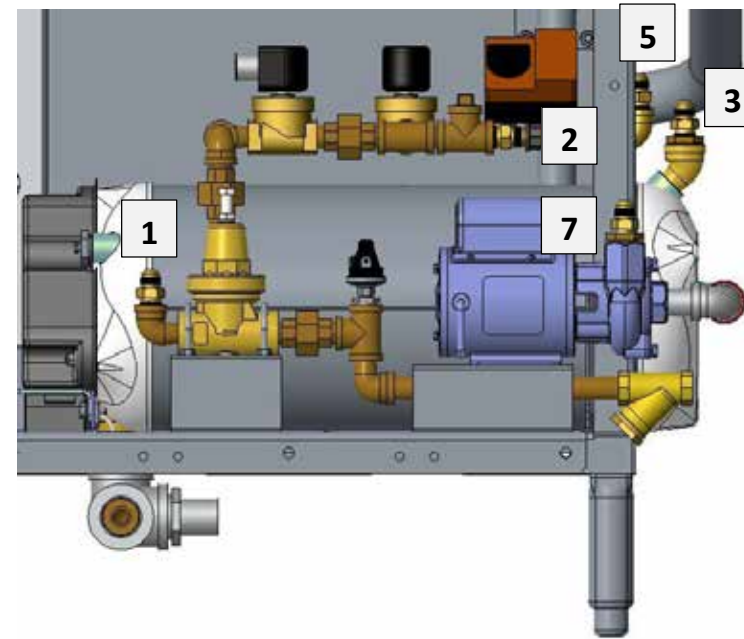
(For machines with an order delivery date after 1/31/21)

Hose #	Hose Description	Hose Marking (see Note 1)	L-R Machine	R-L Machine	Reference Piping Drawings
1	Cold Inlet to Heat Pump	Black	419007 (70")	419973 (64")	602513
2	Heat Pump to Booster	Orange	420533 (50")	419012 (60")	602415
3	Booster to FR Vacuum Breaker		419469 (48") both directions		421299
4	FR Vacuum Breaker to FR Piping		421307 (18") both directions		602522
5	Modulating Valve to Wash Tank		421079 (25") both directions		602415
6	Wash Tank to Recirculation Pump		207560 (21-1/4")	207831 (11-1/4")	N/A
7	Recirculation Pump to Heat Pump	Red	420533 (50") both directions		N/A
8	Heat Pump to Wash Tank	Yellow	420537 (40")	419468 (34")	N/A
9	Air Cavity Drain to Tank Drain		419007 (70")	419012 (60")	N/A
10	Prewash Fill (if equipped)		419228 (12") both directions		602537-LR, 602537-RL



L-R Machine

Note 1:
Wrap matching colored electrical tape bands (using the specified colors shown) around heat pump copper tubes and their corresponding hoses near the joints to aid field connections.



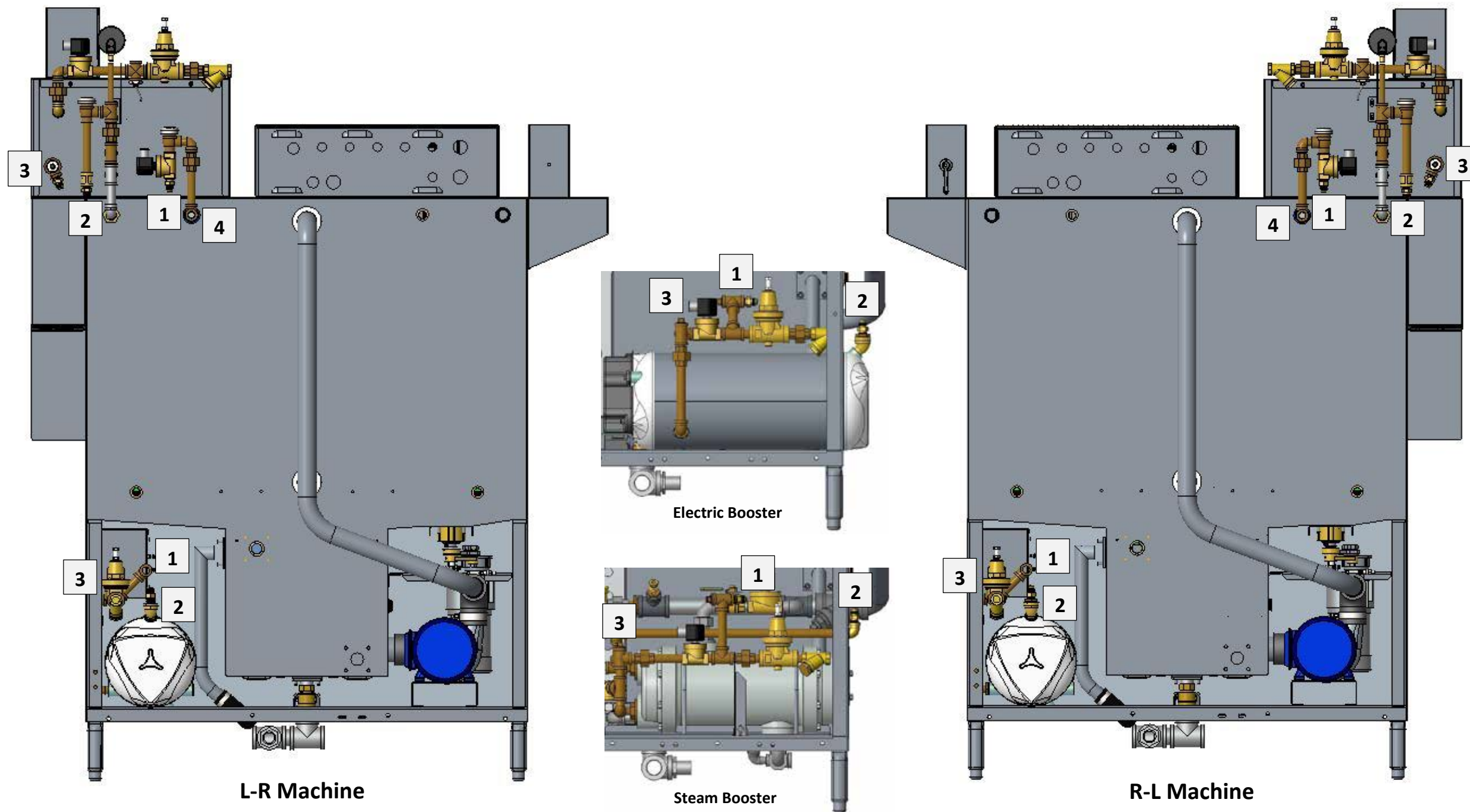
R-L Machine

44PRO Hose Plumbing Diagram, With Booster, Standard or Hi-Hood

(For machines with an order delivery date after 12/13/20)

Hose #	Hose Description	L-R Machine		R-L Machine		Reference Piping Drawings
		Electric Booster	Steam Booster	Electric Booster	Steam Booster	
1	Wash Tank Fill	419469 (48")	420533 (50")	419012 (60")	419012 (60")	602526, 602532, 602524 (steam)
2	Final Rinse	421078 (45")	117569 (45")*	419012 (60")	117570 (60")*	421056, 602435, 602524 (steam)
3	Heat Recovery (if equipped)	419010 (56")	419973 (64")	420980 (75")	419013 (80")	602436, 602532, 602524 (steam)
4	Prewash Fill (if equipped)	419005 (36") both directions				602526

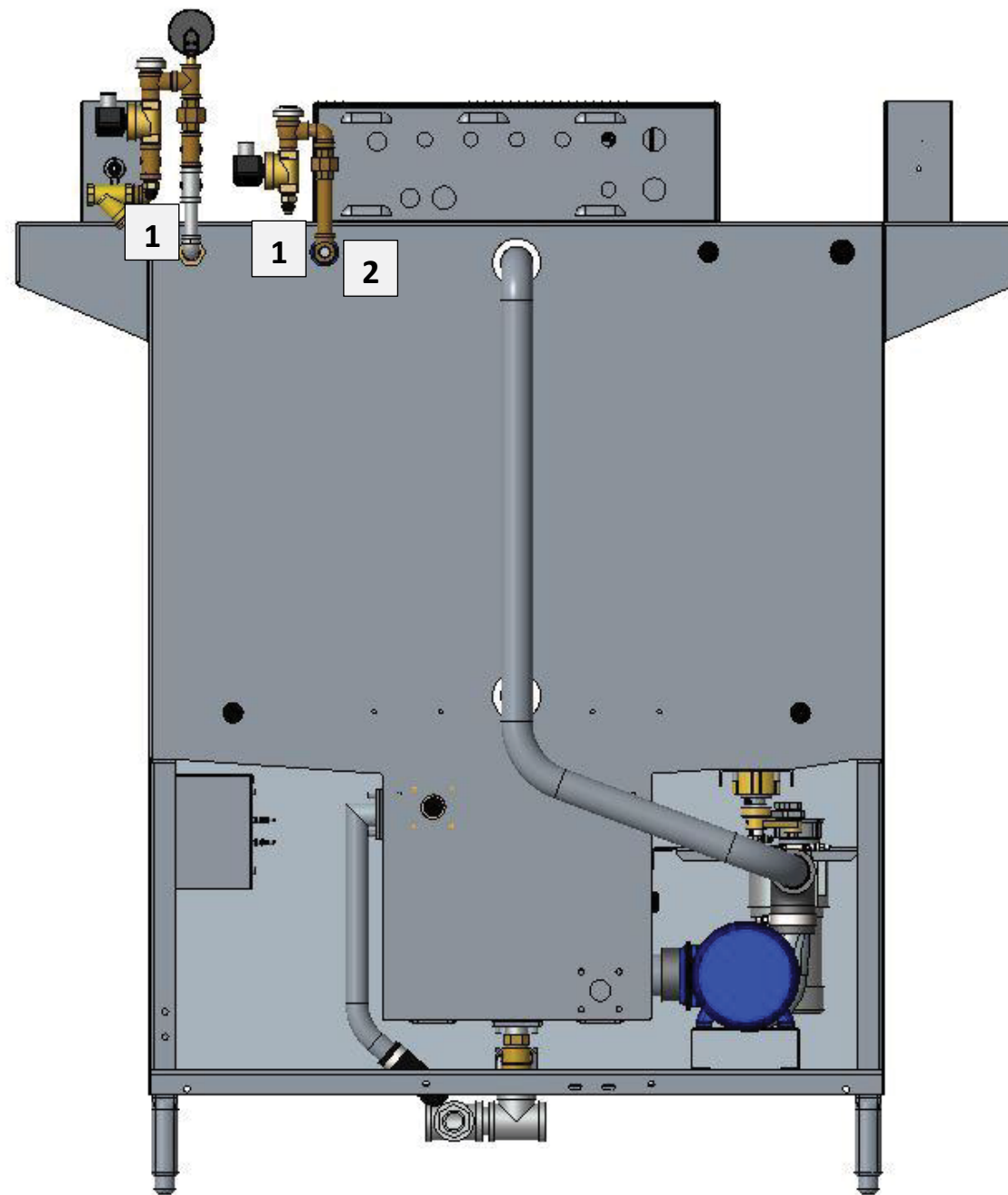
* = SST braided hose for steam final rinse applications



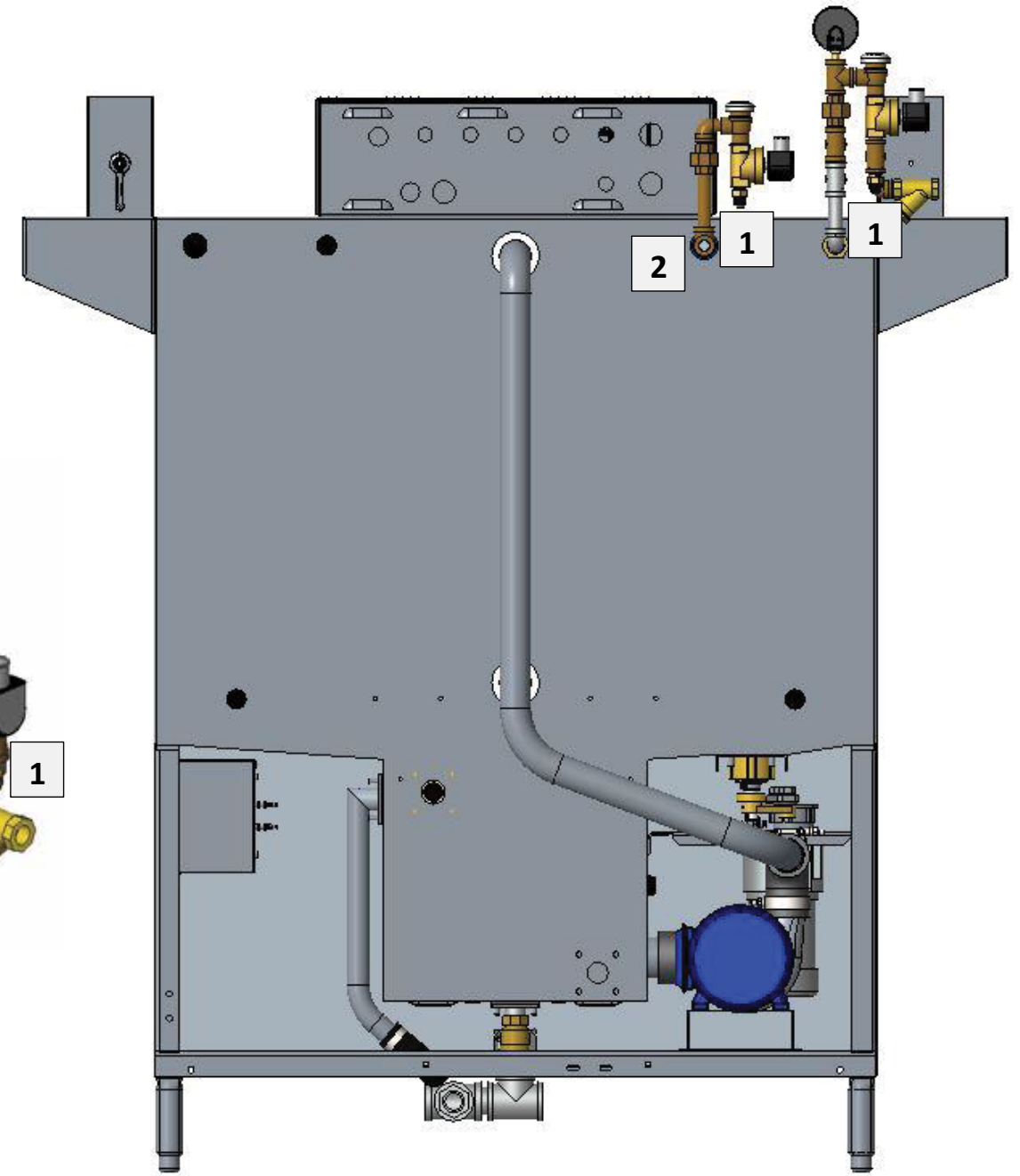
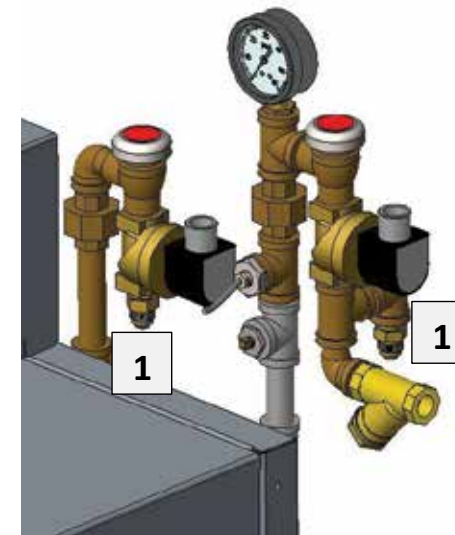
44PRO Hose Plumbing Diagram, No Booster

(For machines with an order delivery date after 12/13/20)

Hose #	Hose Description	L-R Machine	R-L Machine	Reference Piping Drawings
1	Wash Tank Fill	421307 (18") both directions		602526, 602533
2	Prewash Fill (if equipped)	419005 (36") both directions		602526



L-R Machine

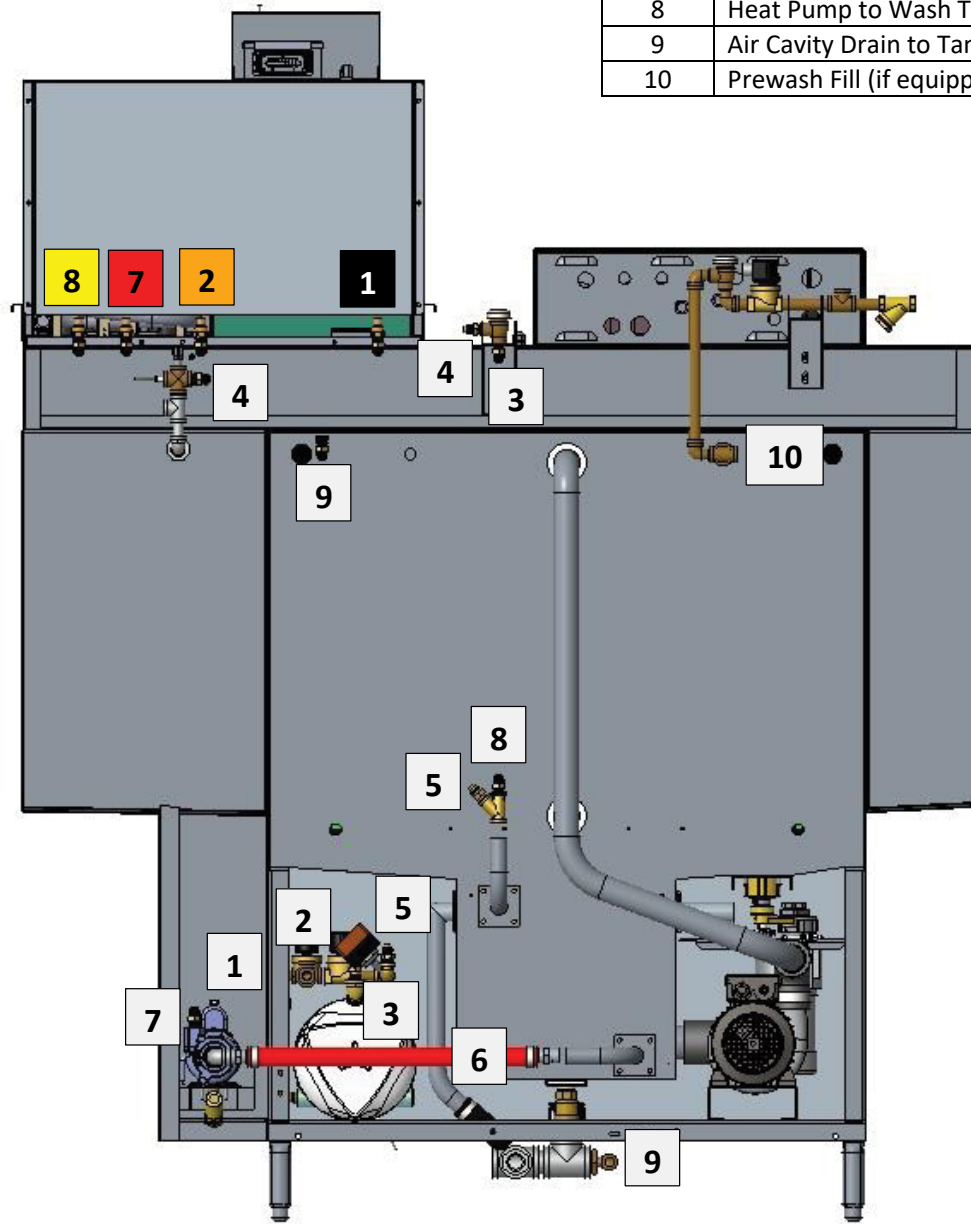


R-L Machine

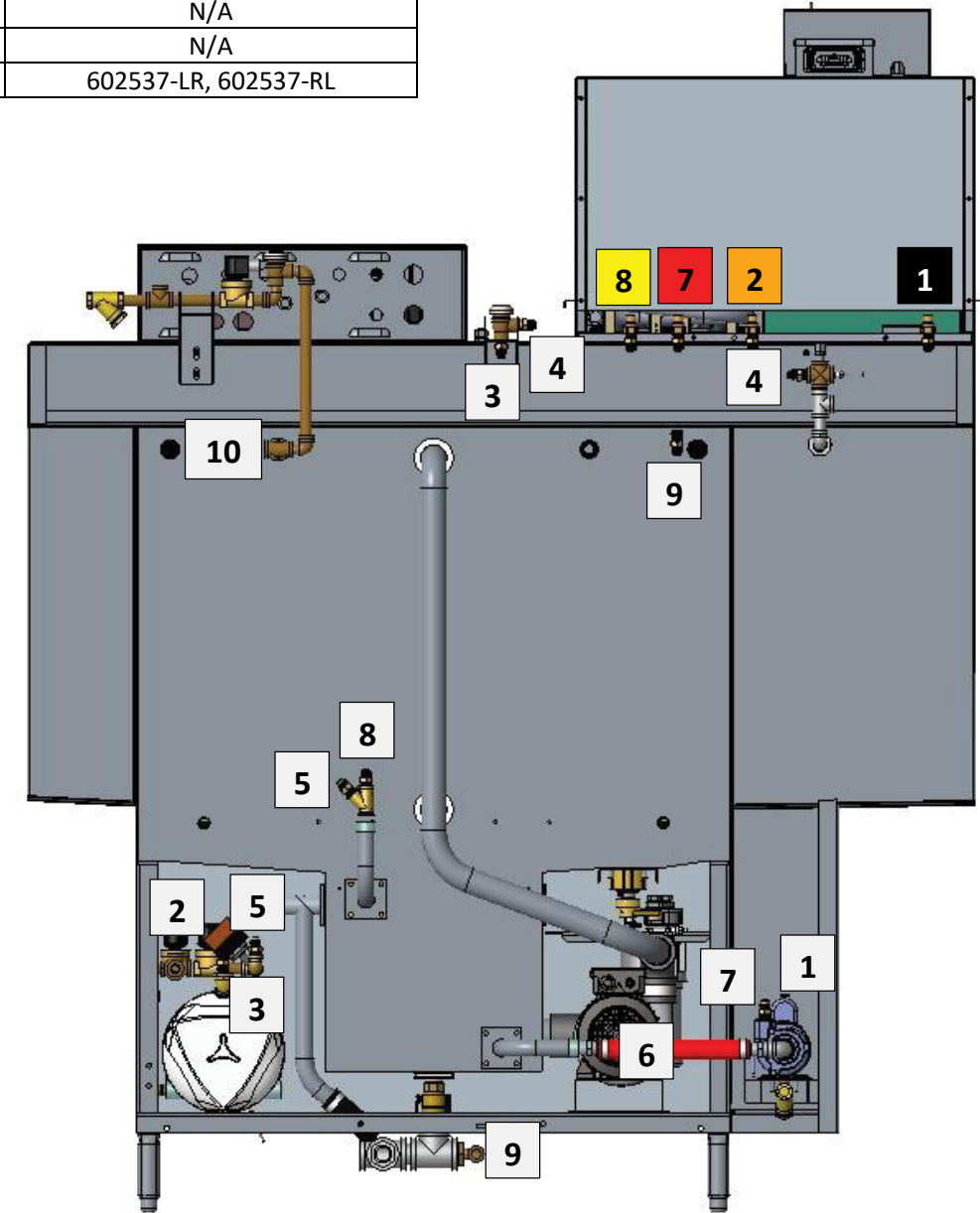
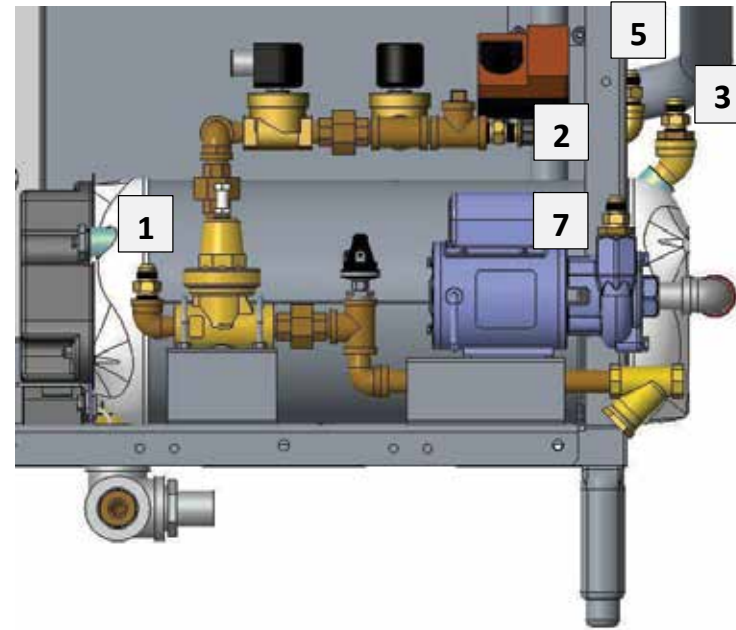
54PRO-VHR Hose Plumbing Diagram

Hose #	Hose Description	Hose Marking (see Note 1)	L-R Machine	R-L Machine	Reference Piping Drawings
1	Cold Inlet to Heat Pump	Black	419973 (64")	419973 (64")	602513
2	Heat Pump to Booster	Orange	421327 (52")	420980 (75")	602415
3	Booster to FR Vacuum Breaker		420533 (50") both directions		421299
4	FR Vacuum Breaker to FR Piping		421307 (18") both directions		602522
5	Modulating Valve to Wash Tank		421079 (25") both directions		602415
6	Wash Tank to Recirculation Pump		207560 (21-1/4")	207831 (11-1/4")	N/A
7	Recirculation Pump to Heat Pump	Red	421327 (52")	420533 (50")	N/A
8	Heat Pump to Wash Tank	Yellow	419469 (48")	420987 (43")	N/A
9	Air Cavity Drain to Tank Drain		420980 (75")	419973 (64")	N/A
10	Prewash Fill (if equipped)		419228 (12") both directions		602537-LR, 602537-RL

Note 1:
Wrap matching colored electrical tape bands (using the specified colors shown) around heat pump copper tubes and their corresponding hoses near the joints to aid field connections.



L-R Machine

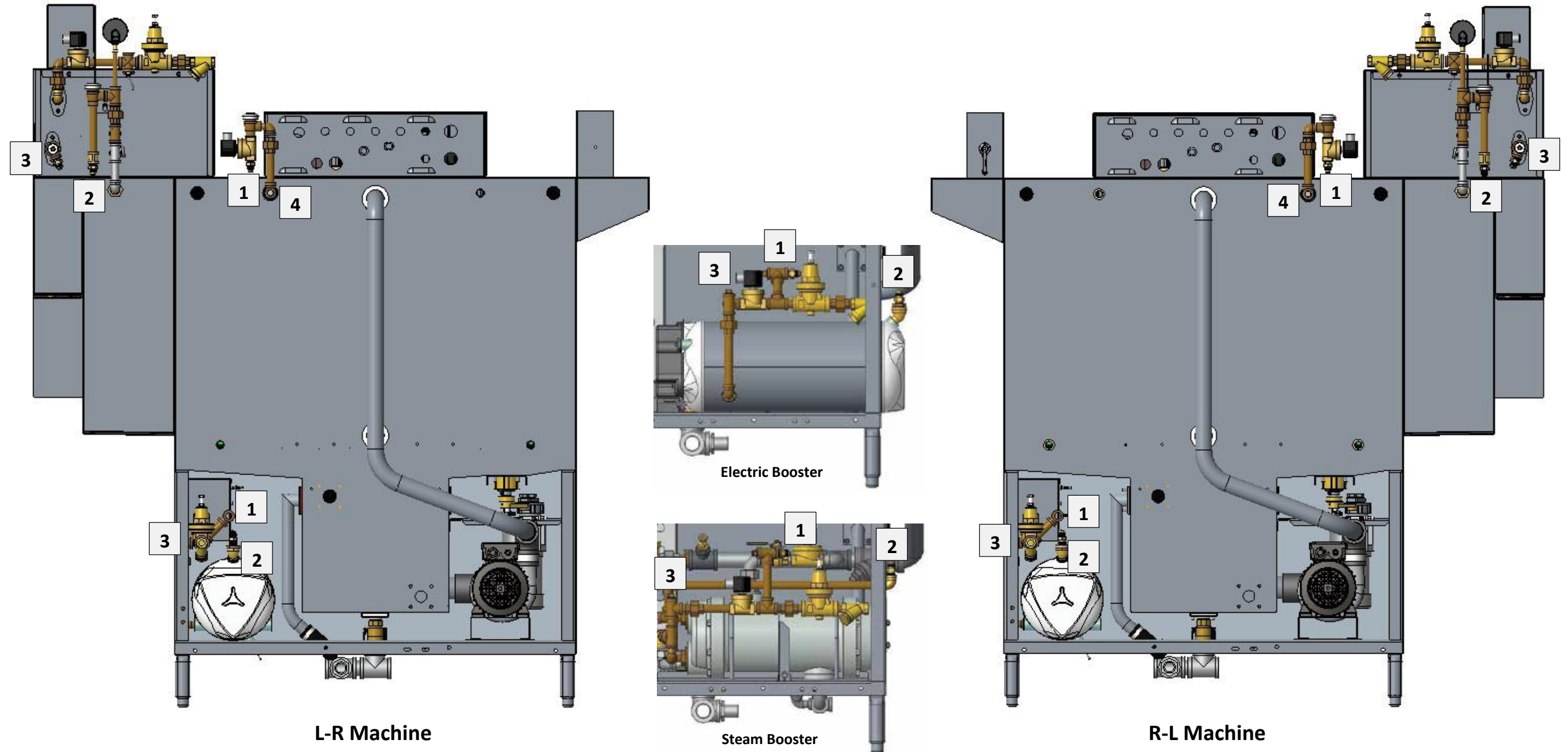


R-L Machine

54PRO Hose Plumbing Diagram, With Booster, Standard or Hi-Hood

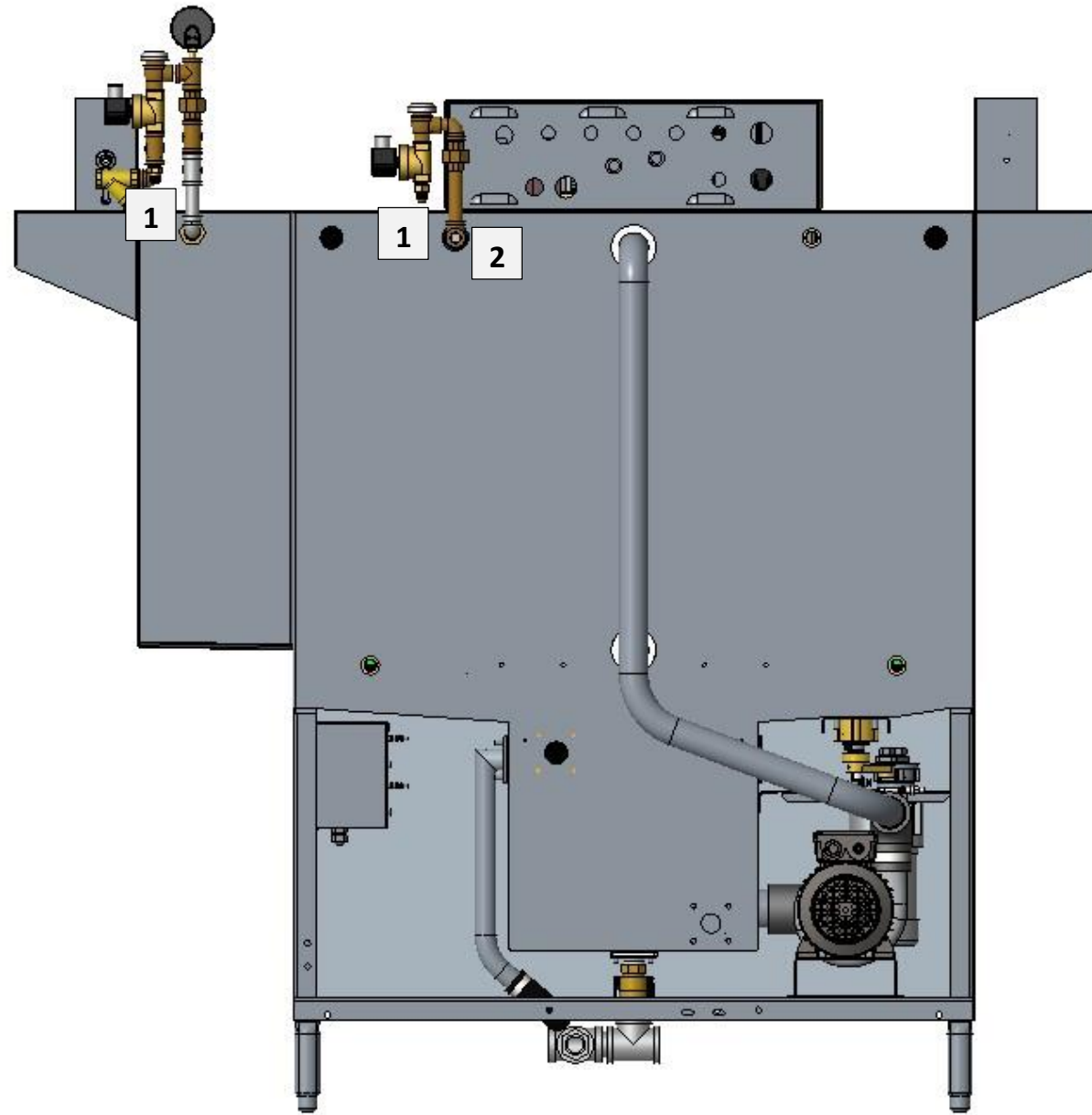
Hose #	Hose Description	L-R Machine		R-L Machine		Reference Piping Drawings
		Electric Booster	Steam Booster	Electric Booster	Steam Booster	
1	Wash Tank Fill	419469 (48")	420533 (50")	419012 (60")	419012 (60")	602526, 602532, 602524 (steam)
2	Final Rinse	421078 (45")	117569 (45")*	420539 (68")	117571 (70")*	421056, 602435, 602524 (steam)
3	Heat Recovery (if equipped)	419012 (60")	420539 (68")	419013 (80")	419013 (80")	602436, 602532, 602524 (steam)
4	Prewash Fill (if equipped)	419005 (36") both directions				602526

* = SST braided hose for steam final rinse applications

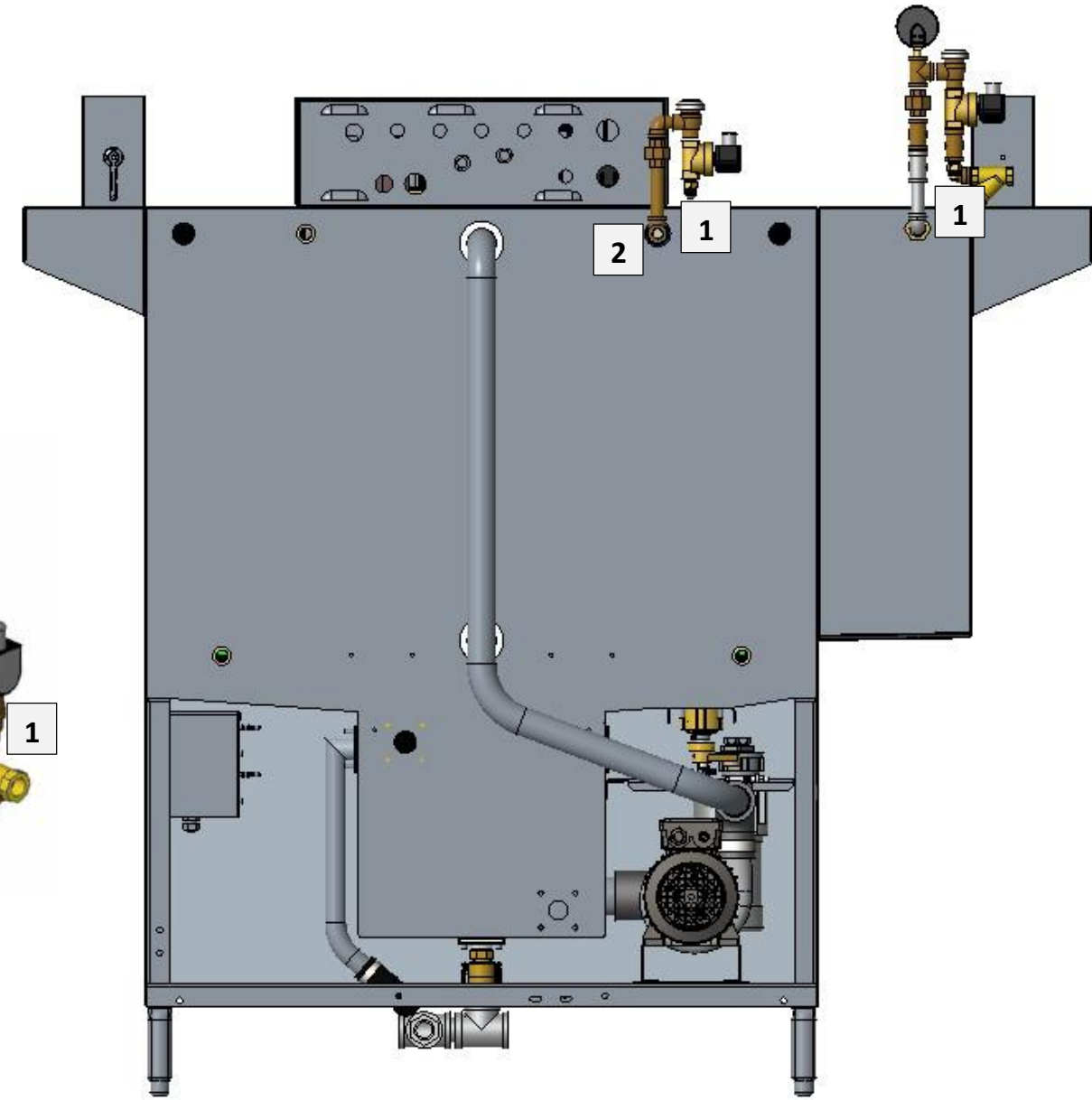
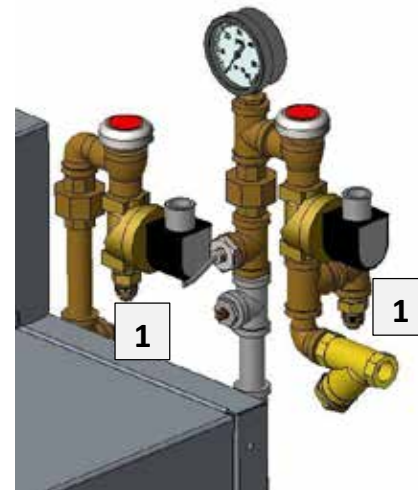


54PRO Hose Plumbing Diagram, No Booster

Hose #	Hose Description	L-R Machine	R-L Machine	Reference Piping Drawings
1	Wash Tank Fill	421079 (25") both directions		602526, 602533
2	Prewash Fill (if equipped)	419005 (36") both directions		602526



L-R Machine



R-L Machine

**This Page
Intentionally
Left Blank**

**This Page
Intentionally
Left Blank**

