

# Champion®

## Service Replacement Parts

### 64 PRO Series Two Tank Rack Conveyor Dishwasher

#### OPTIONS:

- VHR - Ventless Heat Recovery
- HR - Heat Recovery



#### Standard Models

64 PRO	86 PRO
86FF PRO	
100HD PRO	

#### VHR Models

64 PRO-VHR	86 PRO-VHR
86FF PRO-VHR	
100HD PRO-VHR	

#### HR Models

64 PRO-HR	86 PRO-HR
86FF PRO-HR	
100HD PRO-HR	



[www.championindustries.com](http://www.championindustries.com)

Issue Date: 6.24.24

**Manual P/N 116083 rev. H**

For machines beginning with S/N RP19051979 and above

3765 Champion Boulevard  
Winston-Salem, NC 27105  
PH:(336) 661-1556  
Fax: (336) 661-1660  
Toll-free: 1(800) 858-4477

2674 N. Service Road, Jordan Station  
Ontario, Canada L0R 1S0  
Ph: (905) 562-4195  
Fax: (905) 562-4618  
Toll-free: 1(800) 263-5798

NATIONAL SERVICE DEPARTMENT

USA

Toll-free: 1-800-858-4477  
Tel: (336) 661-1556  
Fax: (336) 661-1660  
Email: [service@championindustries.com](mailto:service@championindustries.com)

Canada

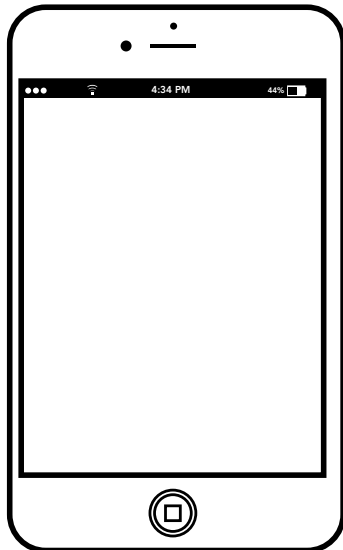
Toll-free: 1-800-263-5798  
Tel: (905) 562-4195  
Fax: (905) 562-4618  
Email: [service@moyerdiebellimited.com](mailto:service@moyerdiebellimited.com)

ATTENTION

The machine data plate  
is located on the side of  
upper control panel.



# Three ways to REGISTER YOUR PRODUCT and ACTIVATE YOUR WARRANTY.



- Use your mobile phone or computer to go to our website at [www.championindustries.com/warranty-registration](http://www.championindustries.com/warranty-registration) and register your product.

or

- Scan the QR code label located above or near the data plate to register your product.

or

- Use the fax form on the next page.

# PRODUCT REGISTRATION BY FAX

COMPLETE THIS FORM AND FAX TO:

(336) 661-1660 in the USA

1-(800) 204-0109 in Canada

## PRODUCT REGISTRATION CARD

Model

Serial #

Date of Installation: \_\_\_/\_\_\_/\_\_\_

Company Name: \_\_\_\_\_

Address: \_\_\_\_\_  
(Street) State/Province Zip/Postal Code

Telephone #: ( ) \_\_\_\_\_ --- \_\_\_\_\_

Contact: \_\_\_\_\_

Installation Company: \_\_\_\_\_

Address: \_\_\_\_\_

Telephone #: \_\_\_\_\_

Contact: \_\_\_\_\_

**FAILURE TO REGISTER YOUR PRODUCT MAY VOID YOUR WARRANTY**

**IMPORTANT IMPORTANT**

# Revision History

Due to an ongoing value analysis program at Champion Industries, specifications contained in this manual are subject to change without notice.

<i>Revision Date</i>	<i>Revised Pages</i>	<i>Serial Number Effectivity</i>	<i>Revision Description</i>
10.8.19	All	RP19051979	Released first edition
11.6.19	22-23	All	Revised final rinse assy.
12.20.19	66-67 68-69 70-71	All All All	Revised ION assembly Revised pump/motor assembly Revised pump installations
1.26.20	12-13	RP20012488	Added clutch continual drive assembly
2.10.20	4-5	RP19051979 to S/N RP20012488	Current transformer replaced by new clutch assembly a S/N RP20012488
5.11.20	53	All	Changed Item 15 to P/N <a href="#">113604</a>
3.4.21	All	RP20102891	Added VHR and HR P/N's and illustrations
10.6.21	60-61	RP21083364	Changed well type element thermistor to tank thermistor under the booster tank
6.24.24	All	All	Released second addition.

## LIMITED WARRANTY

Champion Industries, Bi-Line Systems (herein referred to as ("The Companies")), 3765 Champion Blvd., Winston-Salem, North Carolina, 27105) warrants machines and parts, as set out below:

**WARRANTY OF MACHINES:** The Companies warrant all new machines of its manufacture bearing the name Champion or Bi-Line and installed within the United States to be free from defects in material and workmanship for a period of one (1) year from the date of installation or fifteen (15) months from the date of shipment by The Companies, whichever occurs first. This Limited Warranty does not cover products shipped outside of the United States. The warranty registration card must be returned to The Companies within ten (10) days after installation or registered online at [www.championindustries.com/warranty-registration](http://www.championindustries.com/warranty-registration) for the United States; or by fax using the form provided at the front of this manual. If the warranty card, fax, or email are not sent to The Companies within fifteen (15) days, then the warranty will expire after fifteen (15) months from the date of shipment. The Companies will not assume any responsibility for additional installation costs in any area with jurisdictional problems with local trades or unions. The Companies reserves the right to repair or replace a defective part or the entire machine, if a defect in workmanship or material is identified within the warranty period. Alternatively, The Companies may elect to accept the return of the machine for a full credit. In the event If The Companies elect to repair then the labor and work performed in connection with the warranty shall be done by The Companies' authorized service agent during regular working hours and at regular labor rates. Overtime charges are the responsibility of the equipment purchaser. Warranty travel is covered up to fifty (50) miles from the authorized service technician's servicing office. If travel exceeds fifty (50) miles, the end user will be responsible for any additional travel expense. Service calls initiated under warranty and found not to contain any defects in materials or workmanship, will not be covered by The Companies warranty. Defective parts become the property of The Companies. Use of non-OEM replacement parts, not authorized by The Companies, will relieve The Companies of all further liability in connection with its warranty. In no event, will The Companies' warranty obligation exceed the charge for the machine. Machines that come with a factory-paid start-up will be limited to one (1) authorized service call for start-up. Installation problems or delays, of any kind, will not be covered by The Companies' warranty and will be the sole responsibility of the equipment purchaser.

**THE WARRANTY DOES NOT COVER:**

- a. Chemical tubing, chemical squeeze tubes, O-rings, or curtains.
- b. Vacuum breakers.
- c. Adjustments to structural or mechanical components covered by recommended maintenance procedures.
- d. Replacement of fuses, resetting of overload breakers, or high-limit thermostats.
- e. Adjustments of thermostats or other temperature controlling devices.
- f. Adjustments of clutches.
- g. Adjustments of water pressure(s).
- h. Adjustments of factory chemical pumps and settings.
- i. Opening or closing of utility supply valves or switching of electrical supply current.
- j. Cleaning of valves, strainers, screens, nozzles, or spray pipes.
- k. Regular maintenance and cleaning as outlined in the operator's guide.

- l. Damages resulting from water conditions, accidents, alterations, improper use, abuse, tampering, improper installation, under or over voltage conditions, power surge, inadequate wiring, outdoor use, or failure to follow maintenance and operation procedures.
- m. Pulper cutter blocks, pulse vanes, and auger brush due to wear and tear.
- n. Damages due to improper storage.
- o. Special installations or applications, including remote locations, are limited in coverage by this warranty.
- p. Any installation that requires additional work and/or travel to gain access to a machine for service is the sole responsibility of the equipment purchaser.

**THE FOLLOWING DEFECTS ARE NOT COVERED BY THE WARRANTY:**

1. Damage to the exterior or interior finish.
2. Damage caused by improper connection to utility service other than that designated on the rating plate.
3. Inadequate or excessive water pressure.
4. Corrosion due to foreign materials, improper water supply, improper chemicals, or chemicals dispensed in excess of recommended concentrations.
5. Failure of components due to the connection of third-party chemical dispensing equipment installed by others.
6. Leaks and damage due to the use of non-specified water quality.
7. Leaks and damage caused by the installer, including machine table connections.
8. Leaks or damage caused by chemical dispensing equipment connections installed by others.
9. Failure to comply with all local building codes.
10. Damage caused by labor dispute.

**WARRANTY OF PARTS:** The Companies warrant all new machine parts produced or authorized by The Companies to be free from defects in material and workmanship for a period of ninety (90) days from the date of invoice. If any parts defect in material and workmanship is found to exist within the warranty period, then The Companies will refund the cost of the defective part.

**DISCLAIMER OF WARRANTIES AND LIMITATIONS OF LIABILITY**

THE COMPANIES' WARRANTY IS ONLY TO THE EXTENT REFLECTED ABOVE. THE COMPANIES MAKE NO OTHER WARRANTIES, EXPRESS OR IMPLIED, INCLUDING, BUT NOT LIMITED TO ANY WARRANTY OF MERCHANTABILITY OR FITNESS OF PURPOSE. THE COMPANIES SHALL NOT BE LIABLE FOR INCIDENTAL OR CONSEQUENTIAL DAMAGES. THE REMEDIES SET OUT ABOVE ARE THE EXCLUSIVE REMEDIES FOR ALL DEFECTS FOUND TO EXIST IN MACHINES AND PARTS OF THE COMPANIES. ALL OTHER REMEDIES ARE EXCLUDED, INCLUDING A LIABILITY FOR INCIDENTALS OR CONSEQUENTIAL DAMAGES.

*Champion Industries or Bi-Line Systems does not authorize any other person, including persons who deal in Champion Industries or Bi-Line Systems machines, to change this warranty or create any other obligation in connection with Champion Industries or Bi-Line Systems machines.*

# TABLE OF CONTENTS

ILLUSTRATION	PAGE
64PRO Control Cabinet .....	4
64PRO Controls (Prior to S/N RP22043722) .....	6
64PRO Controls (Beginning with RP22043722) .....	8
64PRO-VHR Series Controls (Beginning with S/N RP22043722) .....	10
Junction Box Terminals .....	12
Conveyor Assembly (Prior to S/N RP21013012) .....	14
Conveyor Assembly (Beginning with S/N RP21013012) .....	16
Continual Drive Assembly .....	18
Clutch Style Continual Drive Assembly (Beginning with S/N RP20012488) .....	20
Power Rinse Drain Assembly.....	22
Wash Tank Drain Assembly without Prewash.....	24
Wash Tank Drain Assembly with Prewash .....	26
Prewash Drain Assembly (All Models).....	28
Power Rinse Fill Assembly (Prior to S/N RP20112924) .....	30
Wash Fill Assembly (Prior to S/N RP20112924) .....	32
L-R Final Rinse Assembly (All S/Ns).....	34
L-R Final Rinse Piping Assembly (All S/N's).....	36
L-R Main Connect Piping Assembly, with booster, (Prior to S/N RP20112924).....	38
22" and 36" Prewash Door Assembly.....	40
Wash Tank/Power Rinse Tank Door Assembly .....	42
Wash Tank Panels, Curtains, and Screens .....	44
Tank Floats and Thermistors .....	46
Left-hand Wash and Power Rinse Manifold Assembly.....	48
Right-hand Wash and Power Rinse Manifold Assembly .....	50
Panels and Curtains - 22PW, 22PW-VHR, 36PW, 36PW-VHR .....	52
Panels and Curtains - 22PW Front Feed .....	54
22" and 36" Prewash Spray Manifolds (Prior to S/N RP21013012).....	56
22" and 36" Prewash Spray Manifolds (Beginning with S/N RP21013012).....	58
Wash/Power Rinse Heaters .....	60
Electric Booster .....	62
External Steam Booster Cabinet (All S/N's).....	64
External Steam Booster (All 64PRO S/N's) .....	66
Steam Coils and Piping .....	68
VHR Assembly (All 64PRO-VHR's).....	70
Heat Recovery Unit Coil.....	72
64 PRO HRU Connect Piping Assembly (Prior to S/N RP20112924).....	74

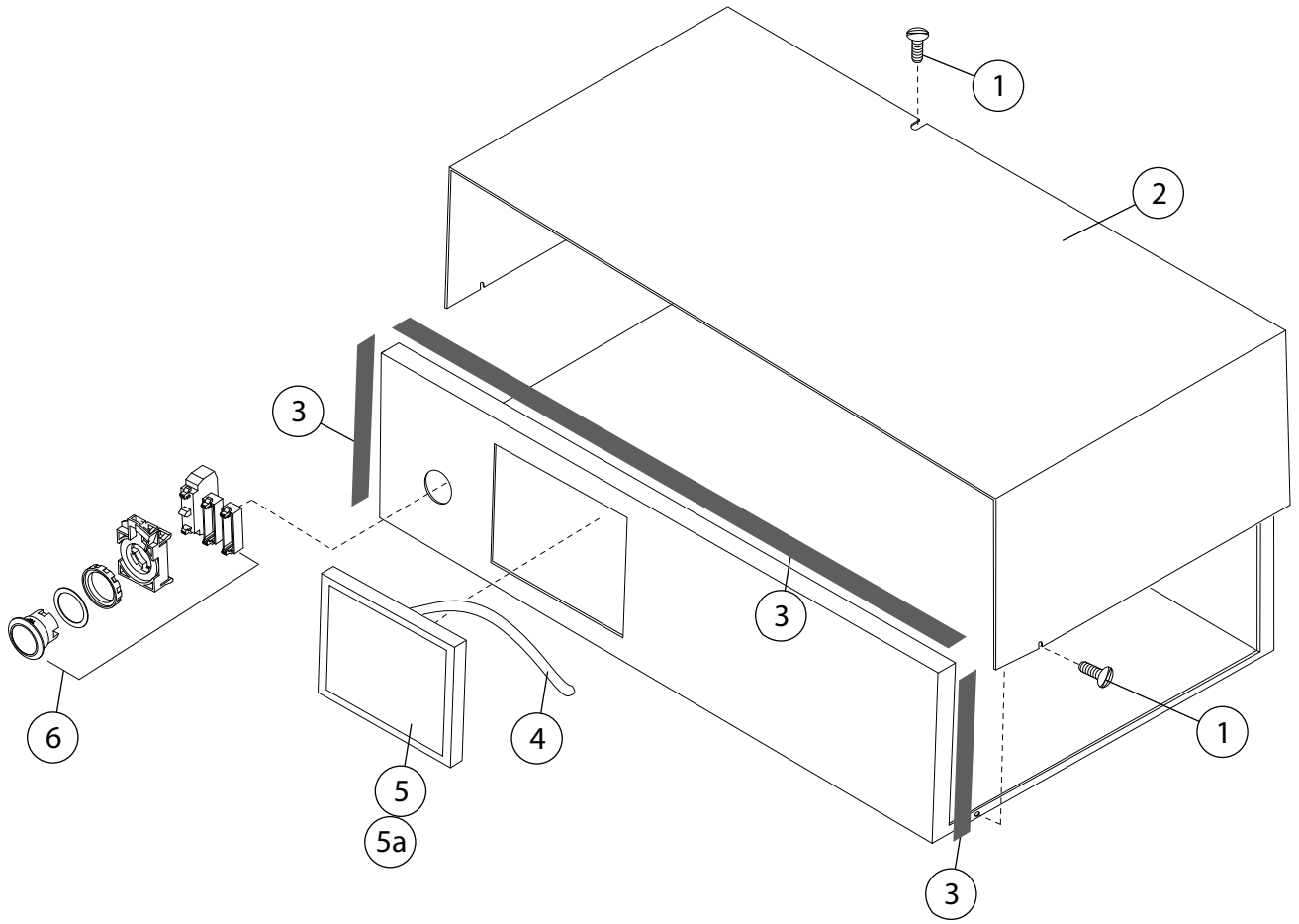
Continued on next page.

## TABLE OF CONTENTS (Continued)

Heat Recovery Connect Fill Piping Assembly (Beginning with S/N RP20112924) .....	76
Heat Recovery Unit Vent Cowl.....	78
Standard Vent Cowl and Splash Shields .....	80
Ion Water Conditioner/Drain Water Tempering Kit .....	82
Three Phase Wash/Prewash Pump and Motor.....	84
Pump Installations .....	86
VHR Recirculation Pump Installation .....	88
Chemical Pump Assembly.....	90
Dish Racks .....	92
64PRO Standard Hose Plumbing Diagram (Prior to S/N RP20112924).....	94
64PRO Main Piping Assembly with Booster (Beginning with S/N RP20112924) .....	96
64PRO Fill Piping Assembly (Beginning with S/N RP20112924) .....	98
64PRO-VHR Fill Piping Assembly (All 64PRO-VHR S/N's) .....	100
64PRO-VHR Final Rinse Piping Assembly (All 64-VHR S/N's).....	102
64PRO-VHR Heat Pump Cold Water Inlet (All 64-VHR S/N's) .....	104
64PRO-VHR Auto-modulating Discharge Valve Piping Assembly (All 64-VHR S/N's).....	106
64PRO-VHR Hose Plumbing Diagram.....	109
64PRO Hose Plumbing Diagram, With Booster, Standard or High Hood .....	110
64PRO Hose Plumbing Diagram, No Booster .....	111

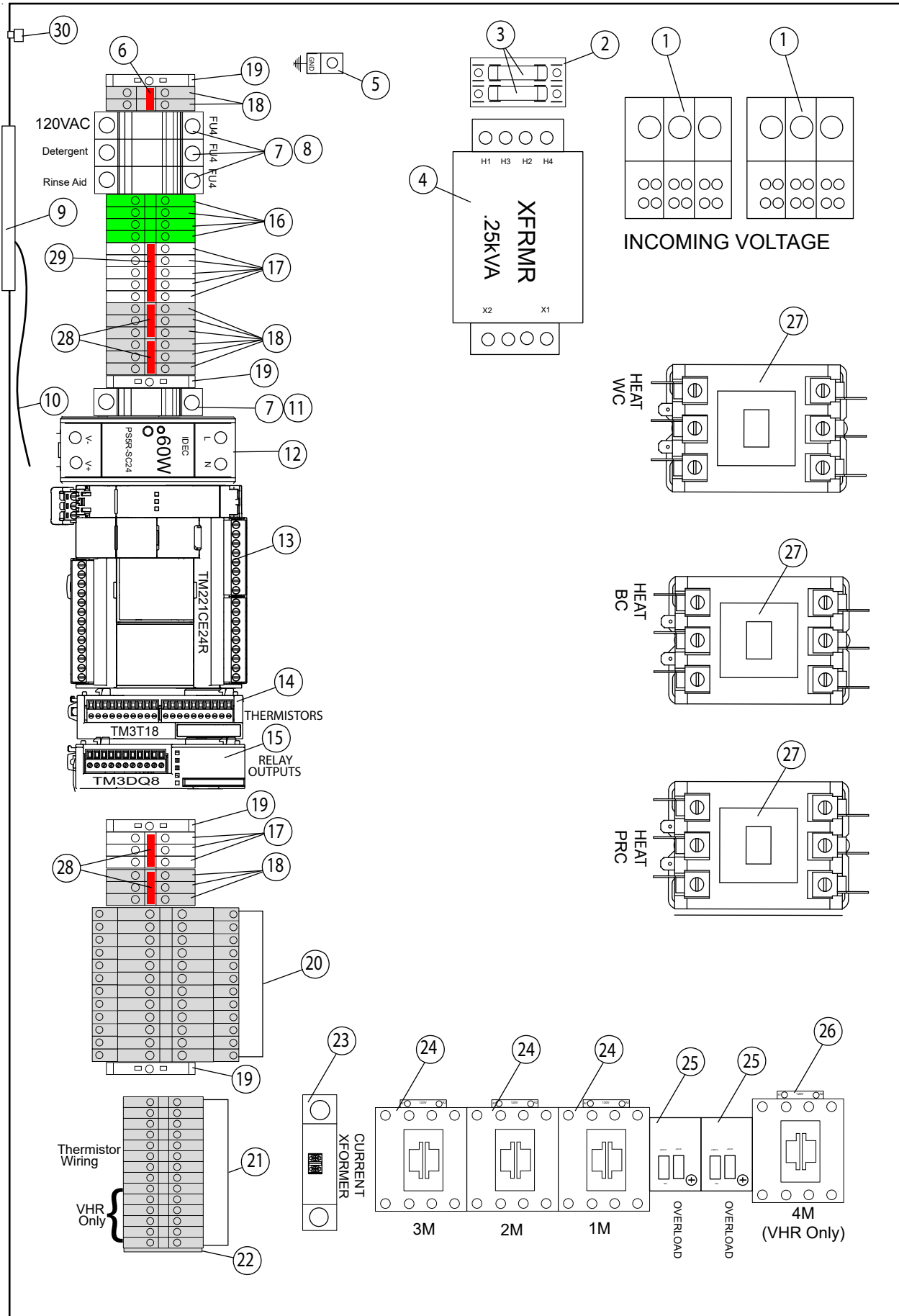
**This Page  
Intentionally  
Left Blank**

64PRO Series Control Cabinet



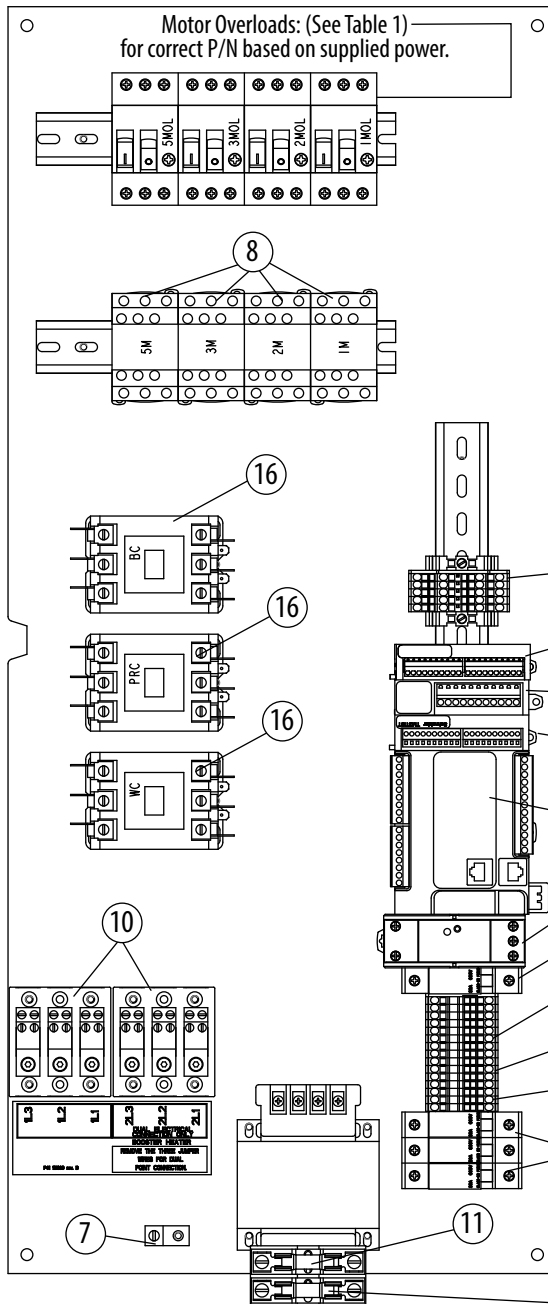
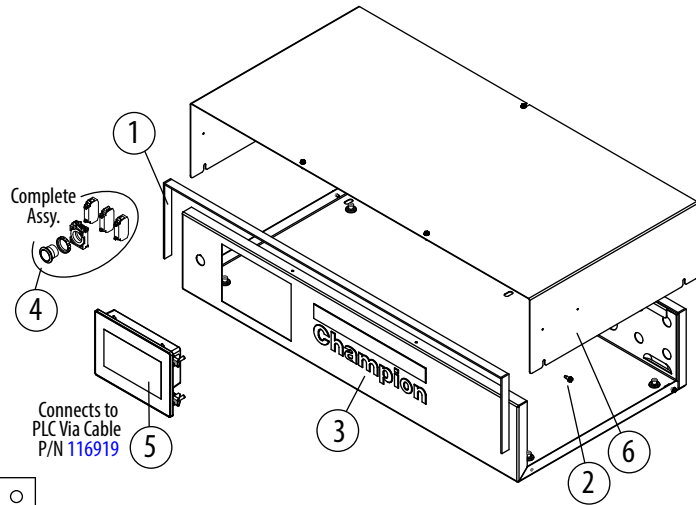
Item No.	Part No.	Description	Qty.
1	100007	SCREW, 10-32 X 3/8" TRUSS HEAD	3
2	339380	COVER, CABINET 36"	1
3	107431	GASKET, STEAM	5 FT.
4	116919	CABLE, HMI TO PLC	1
5	116889	HMI, 4.3" SCHNEIDER (Prior to S/N RP22043708)	1
5a	117082	HMI, 7" , SCHNEIDER, (Beginning with S/N RP22043708)	1
6	116852	PUSH BUTTON, GREEN, FLUSH, 22MM ENGRAVED	1

64PRO Controls (Prior to S/N RP22043722)



Item No.	Part No.	Description	Qty.
1	111833	BLOCK, INPUT TERMINAL, 175A, 3-POLE	1
2	112424	BLOCK, FUSE KIT	1
3	112482	FUSE, 3.5A, 208-240V/60/ 1 & 3	2
3a	112484	FUSE, 1.5A 460-480V, 380-415V, 575V	2
4	109064	TRANSFORMER, 250VA, (240/480/230/460:110,120VAC)	1
5	103310	LUG, GROUND	1
6	114523	BRIDGE, 2-POLE, FBS 2-5	2
7	111153	BLOCK, FUSE	4
8	112887	FUSE, ATDR 0.5A, TIME DELAY	3
9	116889	HMI, SCHNEIDER PRO FACE	1
10	116919	CABLE, NETWORK, PLC TO HMI	1
11	112901	FUSE, LPCC 1.0A	1
12	116967	POWER SUPPLY, 60W, IDEC	1
13	116888	PLC, SCHNEIDER, TM221CE24R	1
14	116891	MODULE, SCHNEIDER THERMISTOR, TM3T18	1
15	116934	MODULE, RELAY OUTPUT, 8PT, SCHNEIDER TM3DQ8	1
16	114515	TERMINAL, SINGLE GROUND, ST 2.5 PE, GREEN	4
17	114514	TERMINAL, SINGLE ST 2.5 WHITE	8
18	114512	TERMINAL, SINGLE, ST 2.5 GRAY	9
19	114519	BLOCK, END E/NS 35 N	4
20	114517	TERMINAL, DOUBLE STTB 2.5	12
21	114520	TERMINAL, SINGLE, MZB 1.5 NS35	14
22	114516	END COVER, SINGLE TERMINAL, D-ST 2.5	1
23	116802	CURRENT, XFMR, DWYER (S/N RP19051979 to RP191122403)	1
24	108122	CONTACTOR, 12A	3
25	111624	OVERLOAD, MOTOR STARTER, 0.63 - 1.0A	2
26	116634	CONTACTOR, LC1D32G7, 120VAC COIL	1
27	116166	CONTACTOR, 60 FLA, 3-POLE, 120VAC COIL	3
28	114524	BRIDGE, 3-POLE, FBS 3-5	4
29	114823	BRIDGE, 4-POLE, FBS 4-5	1
30	116852	PUSH BUTTON, GREEN, FLUSH, 22MM ENGRAVED	1

Controls (Beginning with S/N RP22043722)



VOLTAGE SPECIFIC COMPONENTS				
SUPPLIED POWER	TRANSFORMER	TRANSFORMER FUSES	DRIVE MOTOR OVERLOAD (1MOL)	WASH PUMP OVERLOAD (S) (2, 3, 5 MOL)
208/3		112482 (3.5A)	111624	111629
240/3	109064	112484 (1.5A)	111623	
480/3		112901 (1.0A)	111622	111627
575/3	111521			

Table 1

Transformers & fuse:  
(See Table 1) for  
correct P/N based  
on supplied power.

Item No.	Part No.	Description	Qty.
1	107431	GASKET, STEAM, 1/8" X 3/4" PORON	6FT.
2	114282	SCREW, 10-32 X 1/2" SLOTTED, HEX WASHER	7
3	116677	LABEL, CHAMPION LOGO	1
4	116852	IDEC, ENGRAVED 22MM PUSH BUTTON	1
5	117082	HMI, 7" DISPLAY, PROFACE	1
6	339380	COVER, 36" CONTROL CABINET, 64 PRO SERIES	1
7	103310	GROUND LUG	1
8	108122	CONTACTOR, 3-POLE	4
9	111533	FUSE HOLDER ASSEMBLY	1
10	111833	INPUT TERMINAL BLOCK	2
11	112424	KIT, FUSE BLOCK, 2-POLE	1
12	114512	TERMINAL BLOCK, GRAY	8
13	114514	TERMINAL BLOCK, WHITE	4
14	114515	TERMINAL BLOCK, GREEN	3
15	114517	TERMINAL BLOCK, DOUBLE TIER	5
16	116166	CONTACTOR, 60FLA, 3-POLE, 120V COIL	3
17	116888	SCHNEIDER, PLC, TM221CE24R	1
18	116891	SCHNEIDER, THERMISTOR MODULE	1
19	116934	SCHNEIDER, 8PT RELAY OUTPUT MODULE	1
20	116961	SCHNEIDER, ANALOG, INPUT/OUTPUT MODULE	1
21	116967	IDEC POWER SUPPLY, 60W, PS5R-VD24	1

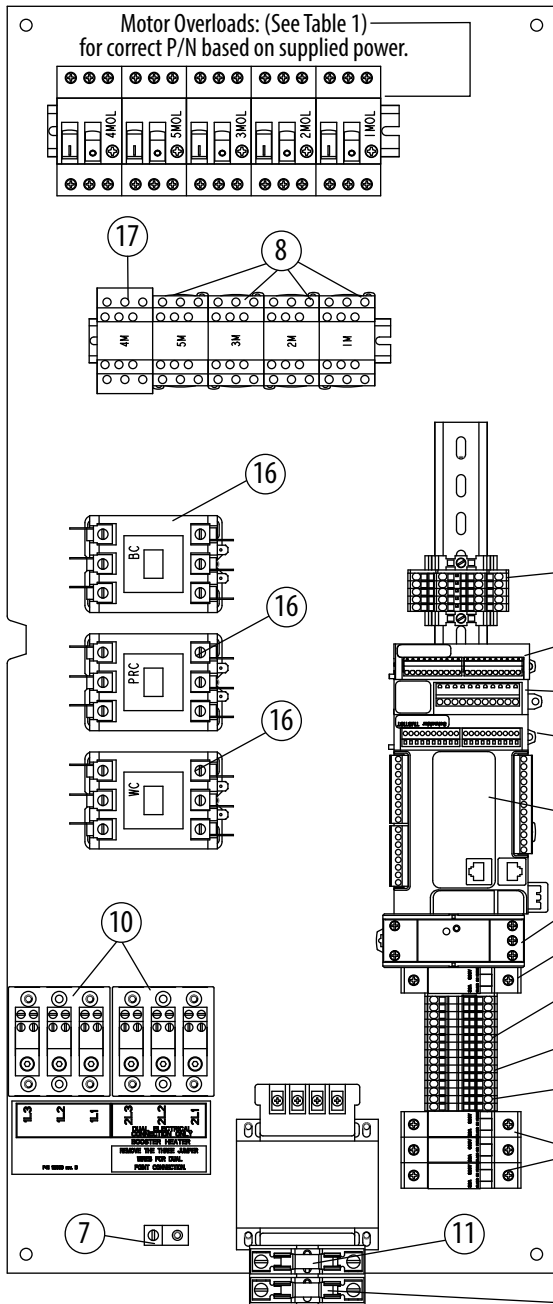
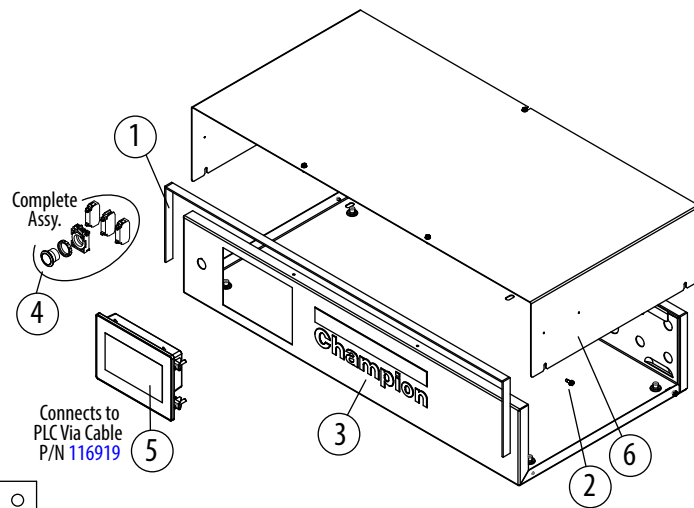


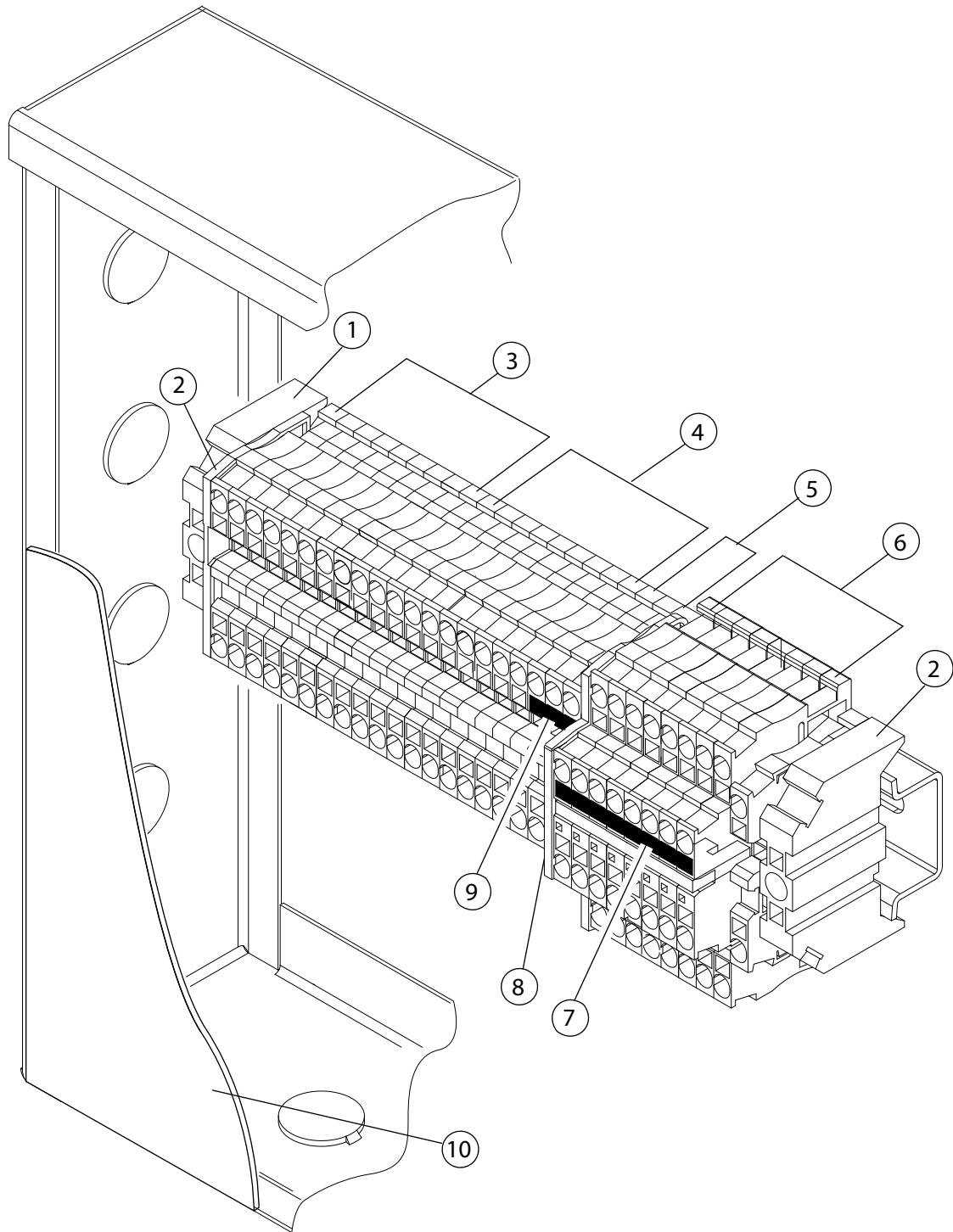
Table 1  
VOLTAGE SPECIFIC COMPONENTS

SUPPLIED POWER	TRANS-FORMER	TRANS-FORMER FUSES	DRIVE MOTOR OVERLOAD (1MOL)	WASH PUMP OVERLOAD (S) (2, 3, 5 MOL)	HEAT PMP OVERLOAD (4MOL)
208/3	109064	112482 (3.5A)	111624	111629	116636
240/3		112484 (1.5A)	111623		111630
480/3	111521	112901 (1.0A)	111622	111627	111629
575/3					

Transformers & fuse:  
(See Table 1) for  
correct P/N based  
on supplied power.

Item No.	Part No.	Description	Qty.
1	107431	GASKET, STEAM, 1/8" X 3/4" PORON	6 FT.
2	114282	SCREW, 10-32 X 1/2" SLOTTED, HEX WASHER	7
3	116677	LABEL, CHAMPION LOGO	1
4	116852	IDEC, ENGRAVED 22MM PUSH BUTTON	1
5	117082	HMI, 7" DISPLAY, PROFACE	1
6	339380	COVER, 36" CONTROL CABINET, 64 PRO SERIES	1
7	103310	GROUND LUG	1
8	108122	CONTACTOR, 3-POLE	4
9	111533	FUSE HOLDER ASSEMBLY	3
10	111833	INPUT TERMINAL BLOCK	2
11	112424	FUSE BLOCK, 2-POLE	1
12	114512	TERMINAL BLOCK, GRAY	8
13	114514	TERMINAL BLOCK, WHITE	4
14	114515	TERMINAL BLOCK, GREEN	3
15	114517	TERMINAL BLOCK, DOUBLE TIER	5
16	116166	CONTACTOR, 60FLA, 3-POLE, 120V COIL	3
17	116634	CONTACTOR, 32A, 120V COIL, LCID32G7	1
18	116888	SCHNEIDER, PLC, TM221CE24R	1
19	116891	SCHNEIDER, THERMISTOR MODULE	1
20	116934	SCHNEIDER, 8PT RELAY OUTPUT MODULE	1
21	116961	SCHNEIDER, ANALOG, INPUT/OUTPUT MODULE	1
22	116967	IDEC POWER SUPPLY, 60W, PS5R-VD24	1

# Junction Box Terminals

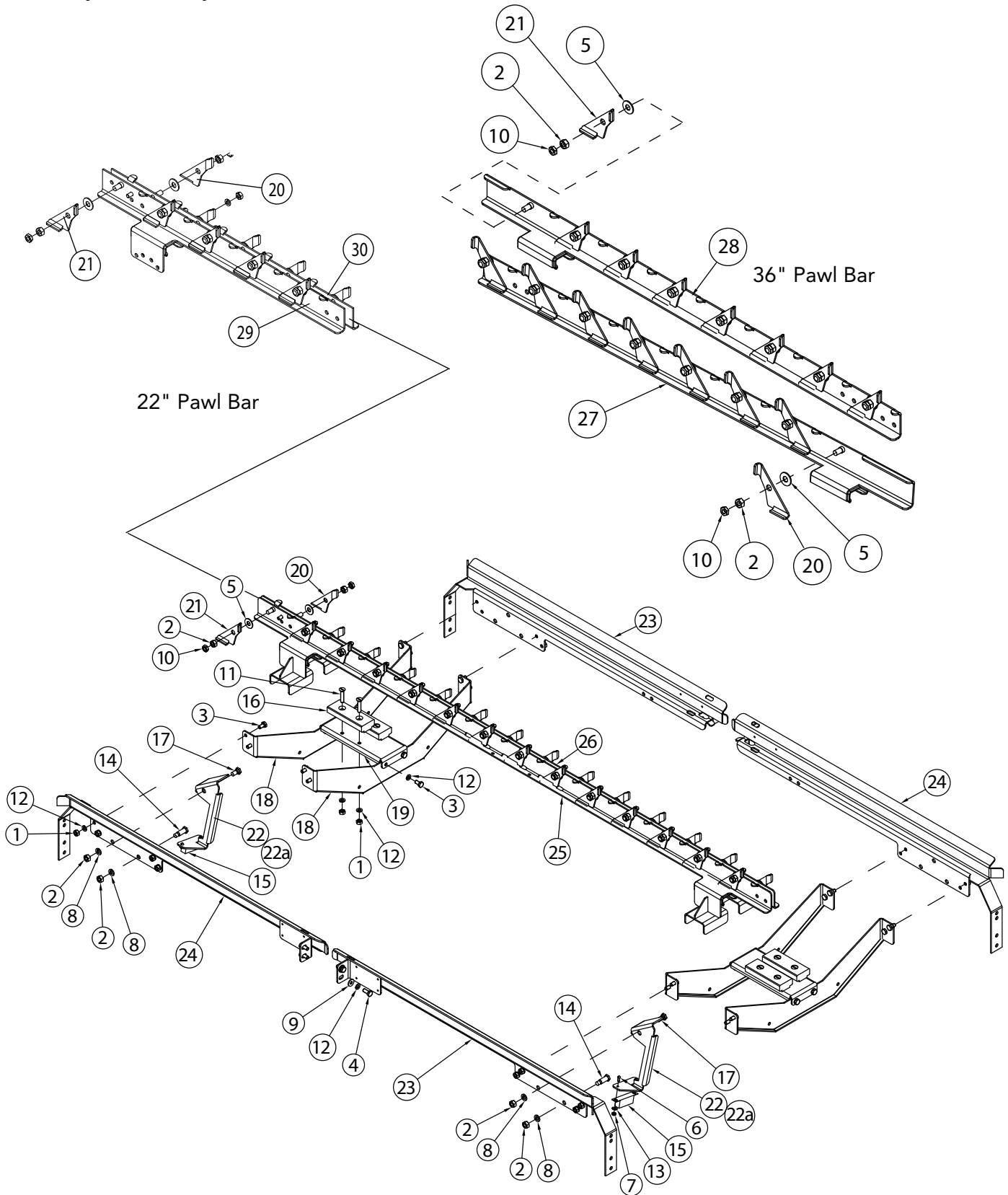


Item No.	Part No.	Description	Qty.
1	114519	END BLOCK, E/NS, 35N	2
2	114516	END COVER, SINGLE TERMINAL D-ST-2.5	1
3	114513	TERMINAL, SINGLE, ST 2.5 BU (blue)	9
4	114512	TERMINAL, SINGLE, ST 2.5 (GRAY)	9
5	114514	TERMINAL, SINGLE, ST 2.5 (WHITE)	3
6	114517	TERMINAL, DOUBLE STTB 2.5	9
7	114522	BRIDGE, 10-POL FBS, 10-5	1
8	114518	END COVER, DOUBLE TERMINAL D-STTB	1
9	114524	BRIDGE, 3-POLE FBS-3	1
10	337582	COVER, ENCLOSURE	1
---	114520	THERMISTOR TERMINAL BLOCK	

## NOTE:

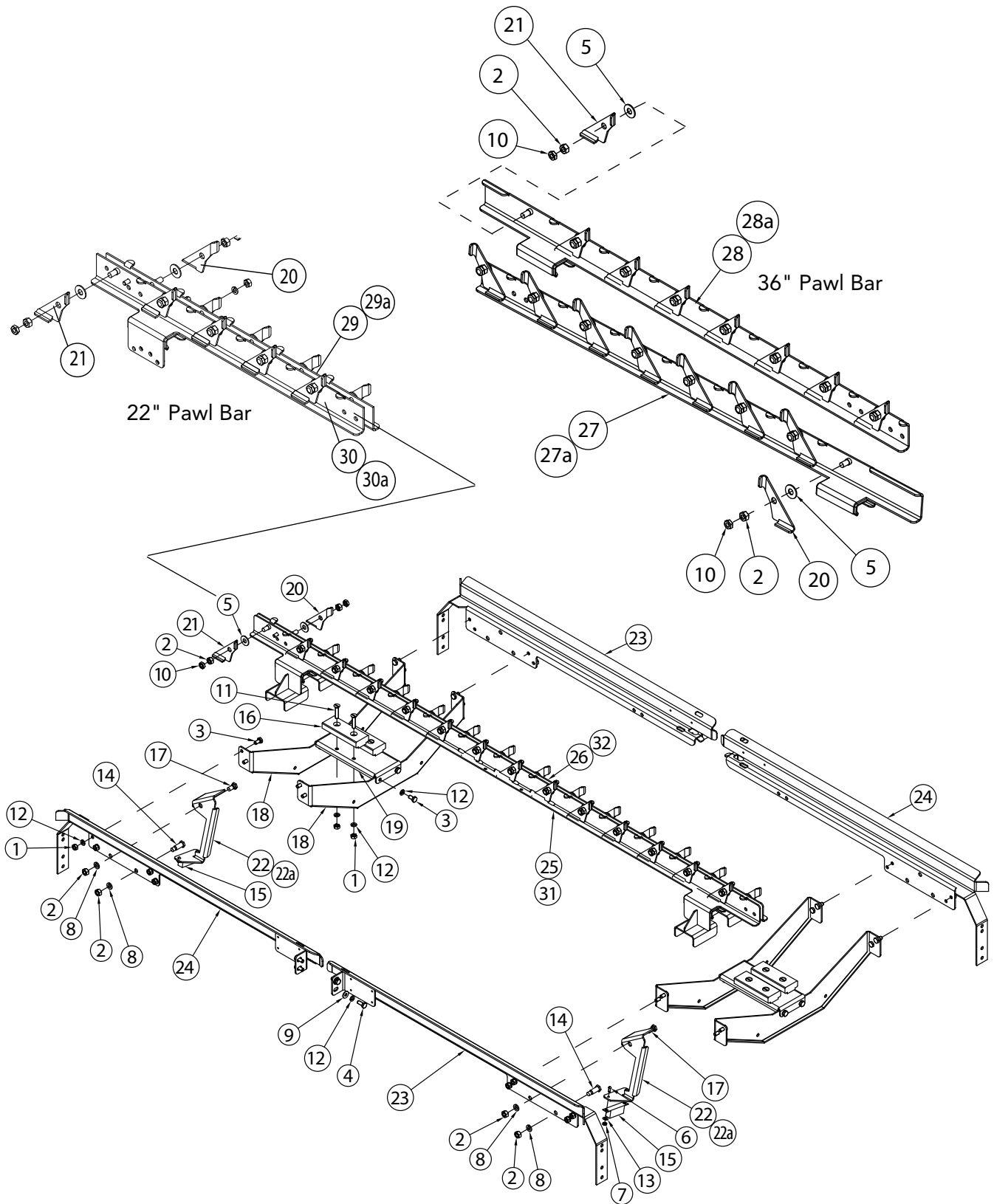
Terminal block quantities may vary depending on MACHINE options.

Conveyor Assembly (Prior to S/N RP21013012)



Item No.	Part No.	Description	Qty.
1	100003	HEX PLAIN NUT, 1/4-20 SST	24
2	100154	HEX PLAIN NUT, 5/16-18 SST	32
3	100734	BOLT, HEX HEAD 1/4-20 X 1/2" SST	24
4	100735	BOLT, HEX HEAD, 1/4-20 X 5/8" SST	4
5	104618	WASH, FLAT, 3/8"	28
6	104883	SCREW, 6-32 X 3/8", ROUND HEAD, SST	4
7	104971	HEX GRIP NUT, 6-32 SST	4
8	106013	WASHER, LOCK, 5/16" SPLIT, SST	4
9	106026	WASHER, FLAT, 1/4" SST	4
10	106198	NUT, JAM 5/16-18 SST	28
11	106474	SCREW, FLAT HEAD, 1/4-20 X 1-1/4" SST	8
12	106482	WASHER, LOCK 1/4" SPLIT SST	36
13	107033	WASHER, FLAT, SST	4
14	113692	BOLT SHOULDER 3/8" X 3/4" X 5/16-18 X 3/8" SST	2
15	113937	MAGNET, REED SWITCH	2
16	116333	BEARING, BLOCK, UHMW	4
17	116470	BOLT, SHOULDER 3/8" X 1/8" X 5/16-18 X 1/2" SST	2
18	337302	CROSSRAIL, SUPPORT, DEVP., PRO	4
19	337303	CROSSRAIL, DEVP., BEARING MOUNT, V2	2
20	337602-1	PAWL, FRONT, RL, PRO RACK, FAS	A/R
21	337602-2	PAWL, FRONT, LR, PRO RACK, FOP	A/R
22	338180-1	IDLE PUMP/FINAL RINSE LEVER, LR, (M1 PRO RACK)	2
22a	338180-2	IDLE PUMP/FINAL/RINSE LEVER-RL (M1 PRO RACK)	2
23	339466	TRACK, WELD, 64 PRO, LH-RR OR RH-FR	2
24	339467	TRACK WELD, 64 PRO, LH-FR OR RH-RR	2
25	420570	PAWL BAR ASSY., ROLL DR, 64 PRO, LR-FR OR RL-RR	1
26	420571	PAWL BAR ASSY., ROLL DR, 64 PRO, LR-RR OR RL-FR	1
27	420643	PAWL BAR ASSY., 36" LH, PREWASH	1
28	420644	PAWL BAR ASSY., 36" RH, PREWASH	1
29	420346	PAWL BAR ASSY., 22 PRO, RH	1
30	420347	PAWL BAR ASSY., 22 PRO LH	1

Conveyor Assembly (Beginning with S/N RP21013012)

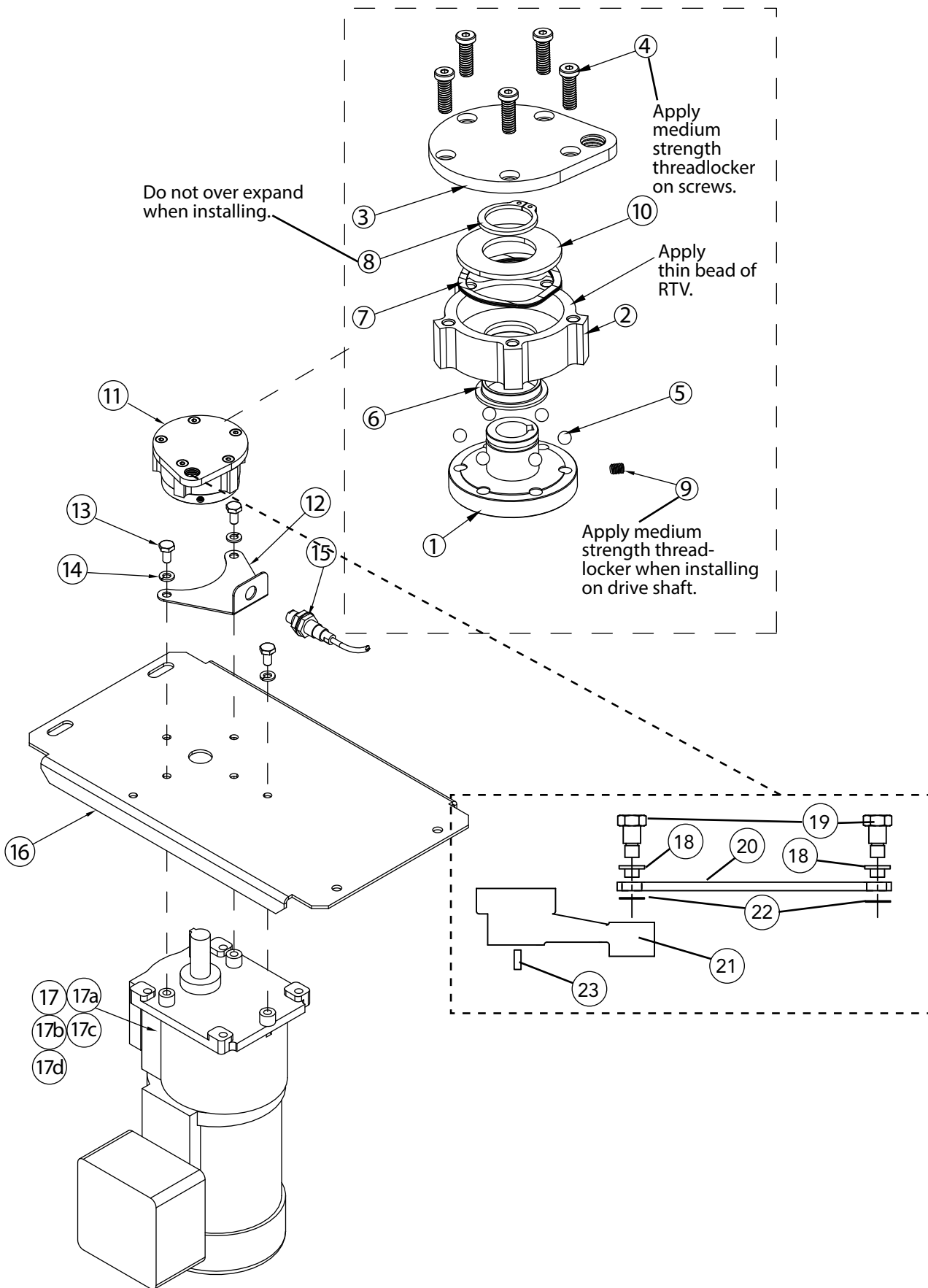


Item No.	Part No.	Description	Qty.
1	100003	HEX PLAIN NUT, 1/4-20 SST	24
2	100154	HEX PLAIN NUT, 5/16-18 SST	32
3	100734	BOLT, HEX HEAD 1/4-20 X 1/2" SST	24
4	100735	BOLT, HEX HEAD, 1/4-20 X 5/8" SST	4
5	104618	WASH, FLAT, 3/8"	28
6	104883	SCREW, ROUND HEAD, 6-32 X 3/8" SST	4
7	104971	HEX GRIP NUT, 6-32 SST	4
8	106013	WASHER, LOCK, 5/16" SPLIT, SST	4
9	106026	WASHER, FLAT, 1/4" SST	4
10	106198	HEX PLAIN JAM NUT, 5/16-18 SST	28
11	106474	SCREW, FLAT HEAD, 1/4-20 X 1-1/4" SST	8
12	106482	WASHER, LOCK 1/4" SPLIT SST	36
13	107033	WASHER, FLAT, SST	4
14	113692	BOLT SHOULDER 3/8" X 3/4" X 5/16-18 X 3/8" SST	2
15	113937	MAGNET, REED SWITCH	2
16	116333	BEARING, BLOCK, UHMW	4
17	116470	BOLT, SHOULDER 3/8" X 1/8" X 5/16-18 X 1/2" SST	2
18	337302	CROSSRAIL, SUPPORT, DEVP., PRO	4
19	337303	CROSSRAIL, DEVP., BEARING MOUNT, V2	2
20	337602-1	PAWL, FRONT, RL, PRO RACK, FAS	A/R
21	337602-2	PAWL, FRONT, LR, PRO RACK, FOP	A/R
22	338180-1	IDLE PUMP/FINAL RINSE LEVER, LR, (M1 PRO RACK)	2
22a	338180-2	IDLE PUMP/FINAL RINSE LEVER, RL, (M1 PRO RACK)	2
23	339466	TRACK, WELD, 64 PRO, LH-RR OR RH-FR	2
24	339467	TRACK WELD, 64 PRO, LH-FR OR RH-RR	2
25	420570	PAWL BAR ASSY., ROLL DR, 64 PRO, LR-FR OR RL-RR	1
26	420571	PAWL BAR ASSY., ROLL DR, 64 PRO, LR-RR OR RL-FR	1
27	421213	PAWL BAR ASSY., 36" LH, PREWASH	1
27a	421215	VHR PAWL BAR ASSY., 36" LH PREWASH	1
28	421214	PAWL BAR ASSY., 36" RH, PREWASH	1
28a	421216	VHR PAWL BAR ASSY., 36" RH PREWASH	1
29	421211	PAWL BAR ASSY., 22" LH, PREWASH	1
29a	421191	VHR PAWL BAR ASSY., 22" LH PREWASH	1
30	421212	PAWL BAR ASSY., RH PREWASH	1
30a	421192	VHR PAWL BAR ASSY., 22" RH PREWASH	1
31	421189	PAWL BAR ASSY., ROLL DR, 64PRO-VHR, LR-FR OR RL-RR	1
32	421190	PAWL BAR ASSY., ROLL DR, 64PRO-VHR, LR-RR OR RL-FR	1



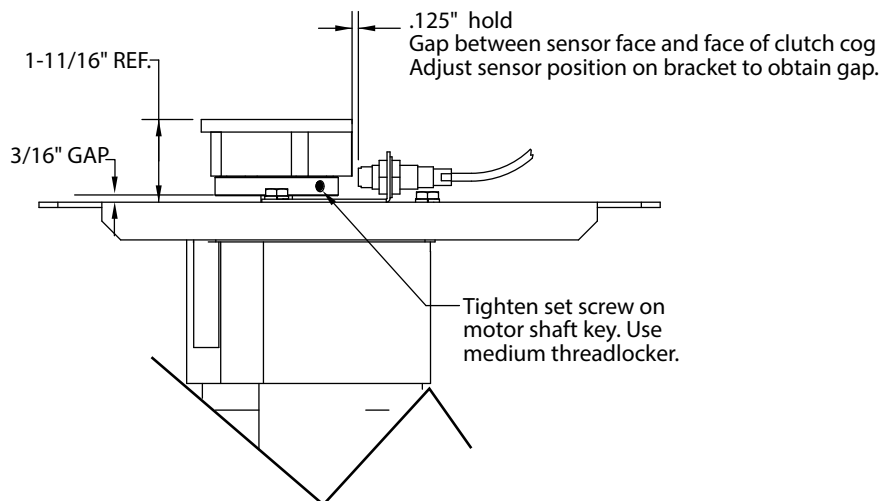
Item No.	Part No.	Description	Qty.
1	100097	SCREW, TRUSS HEAD, 10-32 X 1/2" SST	1
2	109010	HEX NUT, 3/8-16 SST, w/ NYLON GRIP	4
3	100382	BEARING, RACK, DRIVE	1
4	100746	BOLT, HEX HEAD, 3/8-16 X 1-1/4" SST	4
5	100769	SCREW SET 3/8-16 X 3/4", DOG POINT	2
6	100868	ROLLER, STUD, CROSSHEAD	2
7	102244	SEAL, 5/8", 2-PIECE	1
8	103180	WIPER RING, CRANK, RACKS	1
9	104584	HEX PLAIN NUT, 1/2-13 SST	2
10	104618	WASHER, FLAT 3/8" SST	8
11	104916	KEY, 3/16" X 3/16" X 3/4" SST	1
12	104923	SCREW, ROUND HEAD, 1/4-20 X 3/8" SST	4
13	104925	WASHER, FLAT, 1/4" SST	1
14	107364	WASHER, FIBER, 1/4" ID X 7/8" OD	1
15	106482	WASHER, LOCK 1/4" SPLIT, SST	2
16	107589	WASHER, LOCK, 1/2" SPLIT, SST	1
17	116932	DRIVE, CRANK CASTING	2
18	202381	ROLLER, CROSSHEAD, RACK MACHINE	2
19	206303	GASKET, BEARING HOUSING	1
20	207430	SHAFT, DRIVE, V2 RACK	1
21	0501395	SET SCREW, 1/4-20 X 5/16" SST	1
22	B1074-1	BEARING, HOUSING, WITH BUSHING	1
23	100734	BOLT, HEX HEAD, 1/4-20 X 1/2" SST	3
24	339371	BRACKET, CONTINUAL DRIVE MTR. SUPPORT, 2-T	1
25	116810	GEARMOTOR, 1/6HP, MV/3PH, 27.2 RPM	A/R
25a	116908	GEARMOTOR, 1/6HP, 575/3PH, 27.2 RPM	A/R
26	337082	LINKAGE, DRIVE	1
27	116364	BUSHING, BRONZE OIL, 5/8" X 7/8" 1/2" LG, FLG	2
28	116638	BOLT, SHOULDER, 5/8" X 5/8" X 1/2-13 SST HEX HEAD	2
29	104882	WASHER	2
30	202386	CRANK, SST MACHINED	1
31	104915	KEY, 3/16" X 3/16" X 1-1/4"	1

Clutch Style Continual Drive Assembly (Beginning with S/N RP20012488)

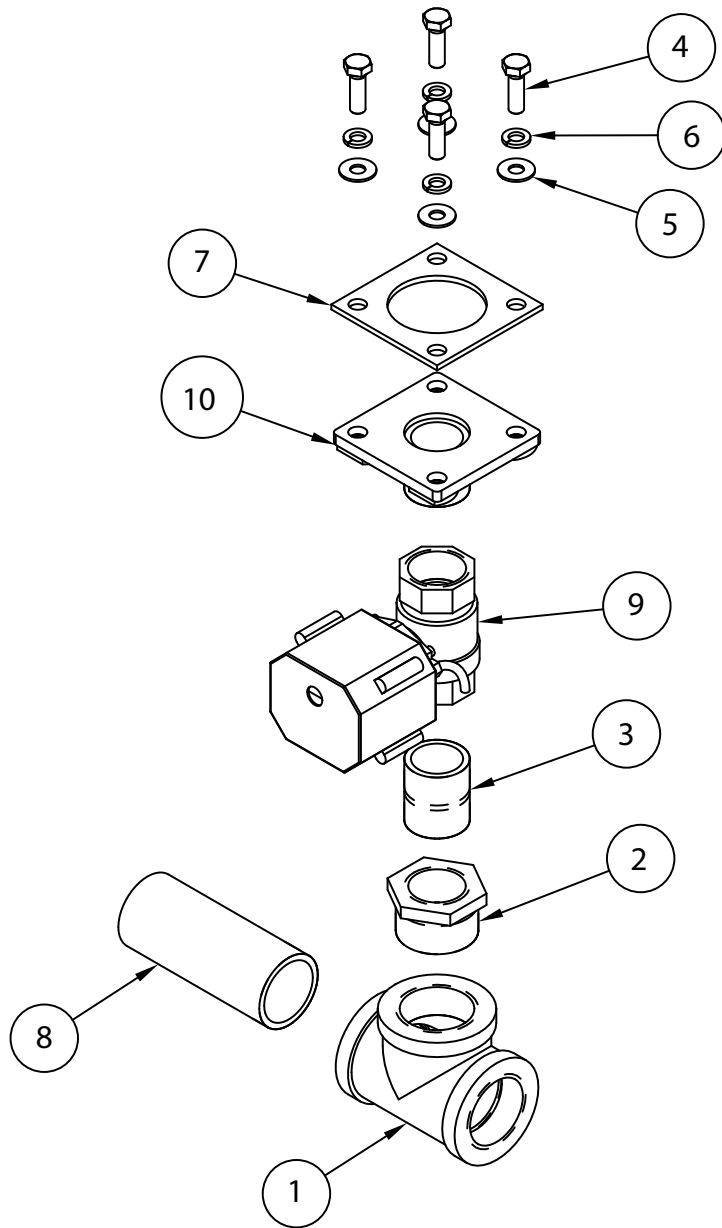


Clutch Style Continual Drive Assembly (Beginning with S/N RP20012488)

Item No.	Part No.	Description	Qty.
1	117044	DRIVE CLUTCH, LOWER HUB	1
2	117045	DRIVE CLUTCH, OUTER HUB	1
3	117046	CLUTCH LINKAGE	1
4	117050	LOW PROFILE SOCKET HEAD CAP SCREW, 1/4-20, SST	5
5	117051	.250" 440C BEARING, BALL	6
6	117052	GFI-1618-04, IGUS BEARING	1
7	117109	DRIVE CLUTCH, SMALLEY WAVE SPRING	1
8	117110	RETAINING RING, DRIVE CLUTCH	1
9	117111	SET SCREW, 10-32, NON-MARING SST	1
10	339623	PRO-DRIVE CLUTCH SPRING RETAINER	1
11	454231	PRO DRIVE CLUTCH	1
12	339377	DRIVE CLUTCH SENSOR BRACKET	1
13	100734	BOLT, HEX HEAD, 1/4-20 X 1/2" SST	3
14	106482	WASHER, LOCK, 1/4" SPLIT SST	3
15	117108	SENSOR, PROXIMITY	1
16	338708	BRACKET, CONTINUAL DRIVE MTR. SUPPORT	1
17	116810	GEARMOTOR, 1/6HP, MV/3PH, 27.2 RPM	A/R
17a	116908	GEARMOTOR, 1/6HP, 575/3PH, 27.2 RPM	A/R
18	116364	BUSHING, BRONZE OIL, 5/8" X 7/8" X 1/2" LG. FL	2
19	116638	BOLT, SHOULDER, 5/8" X 5/8" X 1/2-13 SST HEX HEAD	2
20	337082	LINKAGE, DRIVE	1
21	202386	CRANK, SST MACHINED	1
22	104882	WASHER	2
23	104915	KEY, 3/16" X 3/16" X 1-1/4"	1



# Power Rinse Drain Assembly

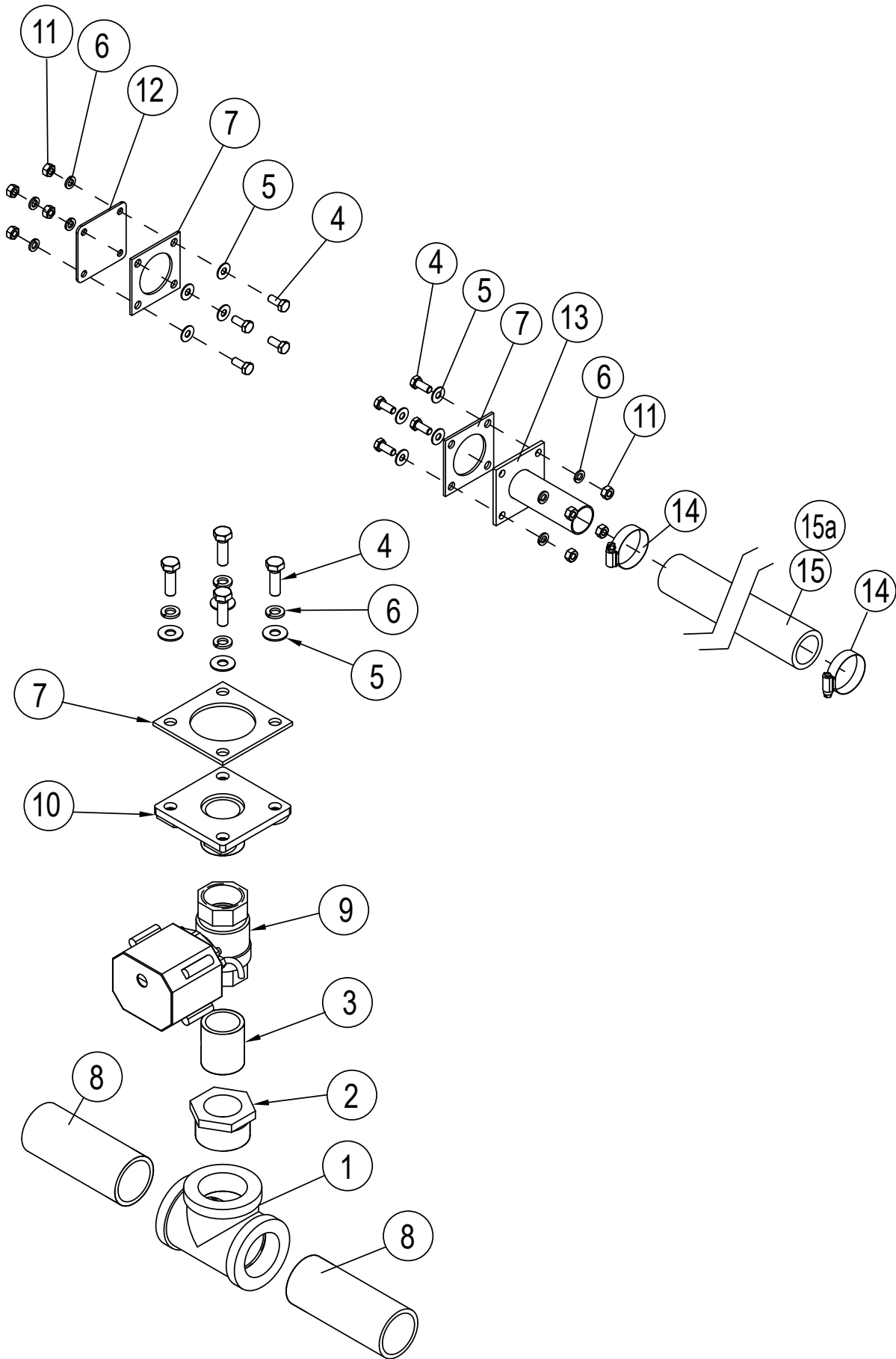


Item No.	Part No.	Description	Qty.
1	100510	TEE, 1-1/4" NPT, SST	1
2	100535	BUSHING, REDUCING, 1-1/4" NPT X 1" NPT SST	1
3	100694	NIPPLE, 1" NPT X CLOSE SST	1
4	100740	BOLT HEX HEAD, 5-16/18 X 1" SST	4
5	102376	WASHER, FLAT 5/16" SST	4
6	106013	WASHER, LOCK 5/16" SPLIT SST	4
7	108345	GASKET 3" X 3" 1/8", 2" HOLE	1
8	115205	NIPPLE, TOE, 1-1/4" NPT X 4" LG. SST	1
9	117659	VALVE BALL, 1" NPT , BRASS, 110-230V ELECTRIC NC	1
10	207802	DRAIN, FLANGE, 1" MNPT, CAST SST	1



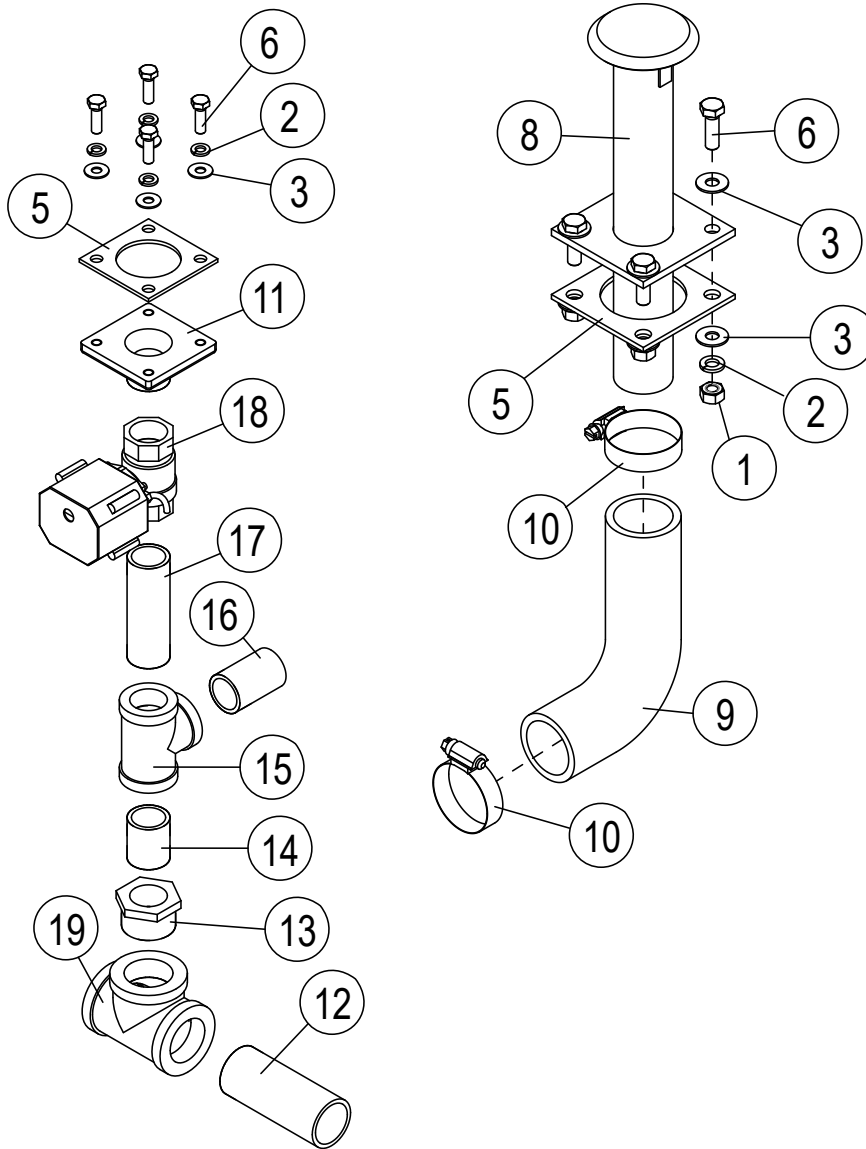
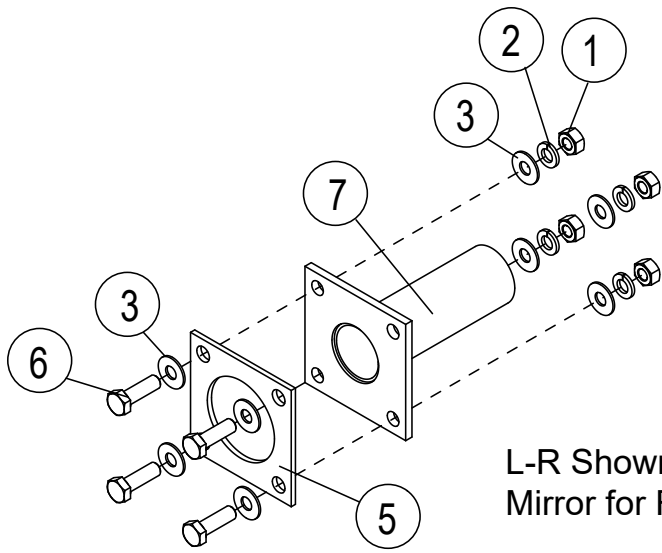
Item No.	Part No.	Description	Qty.
1	100510	TEE, 1-1/4" NPT SST	2
2	100535	BUSHING, REDUCING, 1-1/4" NPT X 1" NPT SST	2
3	100694	NIPPLE, 1" NPT X CLOSE SST	1
4	100740	BOLT HEX HEAD, 5/16-18 X 1" SST	12
5	102376	WASHER, FLAT 5/16" SST	12
6	106013	WASHER, LOCK, 5/16" SPLIT SST	12
7	108345	GASKET, 3" X 3" X 1/8" 2" HOLE	3
8	111971	NIPPLE, 1-1/4" NPT X CLOSE, SST	1
9	115205	NIPPLE, TOE, 1-1/4" NPT X 4" LG., SST	1
10	116431	NIPPLE, TOE, 1" NPT X 2" LG., SST	1
11	117659	VALVE BALL, 1" NPT, BRASS 110-230V ELECTRIC NC	1
12	207802	DRAIN, FLANGE, 1" MNPT, CAST SST	1
13	100154	HEX PLAIN NUT, 5/16-18, SST	8
14	337954	OVERFLOW, WELDMENT	1
15	116859	HOSE, OVERFLOW	1
16	105993	CLAMP, HOSE, M20, GEAR-TYPE, SST	2
17	314388-1	FLANGE, BLOCK-OFF PLATE	1

Wash Tank Drain Assembly with Prewash



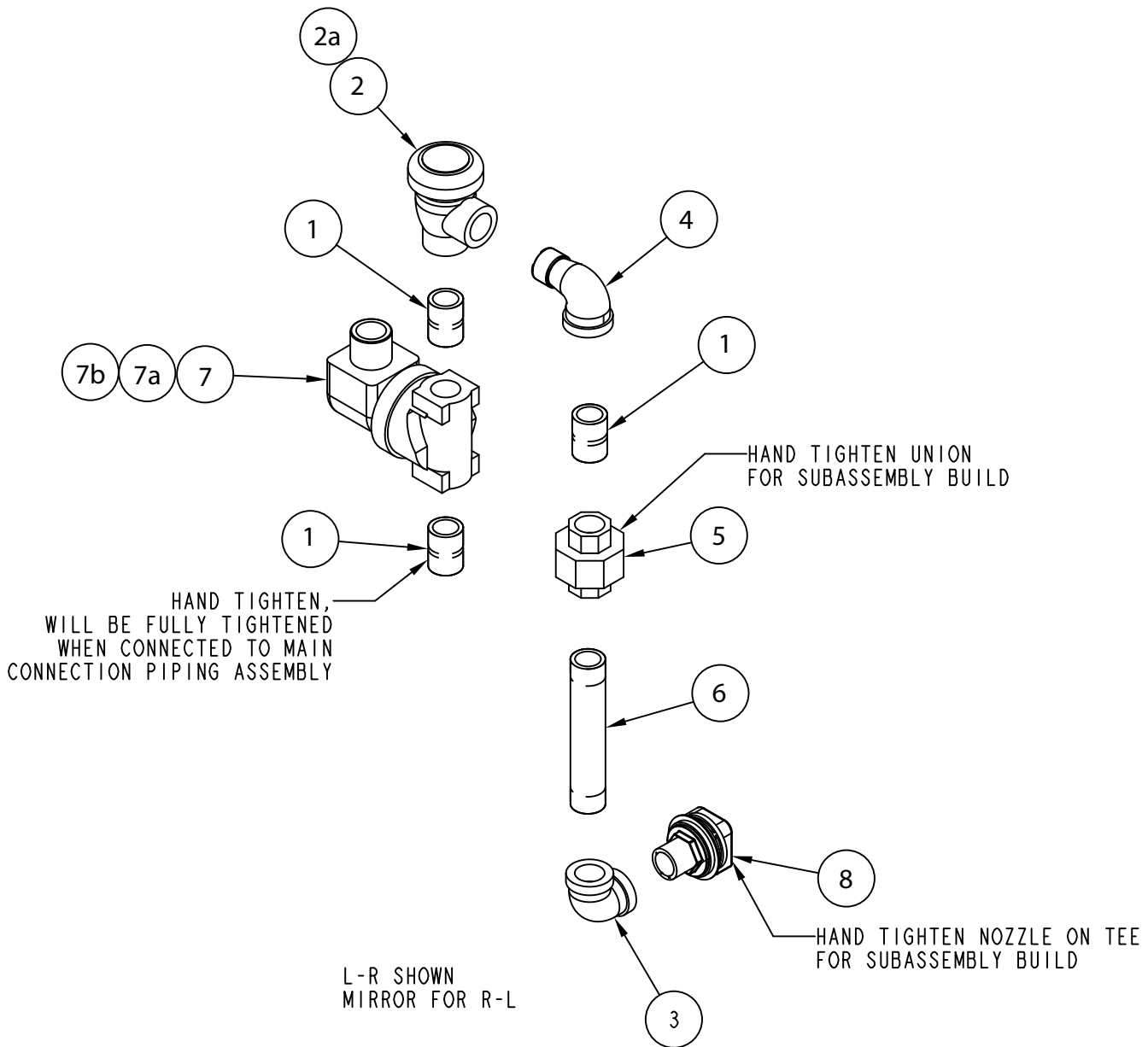
Item No.	Part No.	Description	Qty.
1	100510	TEE, 1-1/4" NPT SST	2
2	100535	BUSHING, REDUCING, 1-1/4" NPT X 1" NPT SST	2
3	100694	NIPPLE, 1" NPT X CLOSE SST	1
4	100740	BOLT HEX HEAD, 5/16-18 X 1" SST	12
5	102376	WASHER, FLAT 5/16" SST	12
6	106013	WASHER, LOCK, 5/16" SPLIT SST	12
7	108345	GASKET, 3" X 3" X 1/8" 2" HOLE	3
8	105205	NIPPLE, TOE, 1-1/4" NPT X 4" LG., SST	2
9	117659	VALVE BALL, 1" NPT, BRASS 110-230V ELECTRIC NC	1
10	207802	DRAIN, FLANGE, 1" MNPT, CAST SST	1
11	100154	HEX PLAIN NUT, 5/16-18, SST	8
12	314388-1	FLANGE, BLOCK-OFF PLATE	1
13	334719	STUB, WELDMENT, CROSSFLOW	1
14	105993	CLAMP, HOSE, M20, GEAR-TYPE, SST	
15	116859	HOSE, CROSSFLOW, 1-3/8" ID x 17" LG., EPDM	1
15a	205199	HOSE, CROSSFLOW, 1-3/8" ID x 11-1/2" LG., EPDM 22FF RL, 22FF LR	1

Wash Tank Drain Assembly with Prewash



Item No.	Part No.	Description	Qty.
1	100154	HEX, PLAIN NUT, 5/16-18 SST	12
2	106013	WASHER, LOCK 5/16" SPLIT, SST	16
3	102376	WASHER, FLAT 5/16"	28
4	314388-1	FLANGE, BLOCK-OFF 12 GALV.	1
5	108345	GASKET	4
6	100740	BOLT, HEX HEAD 5/16-18 X 1" SST	16
7	334719	STUB, WELDMENT, CROSSFLOW	1
8	339425	OVERFLOW, WELDMENT	1
9	117018	HOSE, OVERFLOW	1
10	105993	CLAMP, HOSE, M20, SST, W/CS SCREW, SST	2
11	207802	DRAIN FLANGE, 1" MNPT, CAST, SST	1
12	115205	NIPPLE, TOE 1-1/4" X 4" SST	1
13	100535	BUSHING, REDUCING, 1-1/4" X 1" SST	1
14	100694	NIPPLE, CLOSE 1" NPT, SST	1
15	102530	TEE, 1" NPT, SST	1
16	116431	NIPPLE TOE, 1" X 2" SST	1
17	117019	NIPPLE, 1" X 3-3/4" SST	1
18	117659	VALVE, BALL, 1" BRASS, 110-230V, ELECTRIC, NC	1
19	100510	TEE, 1-1/4" NPT SST	1

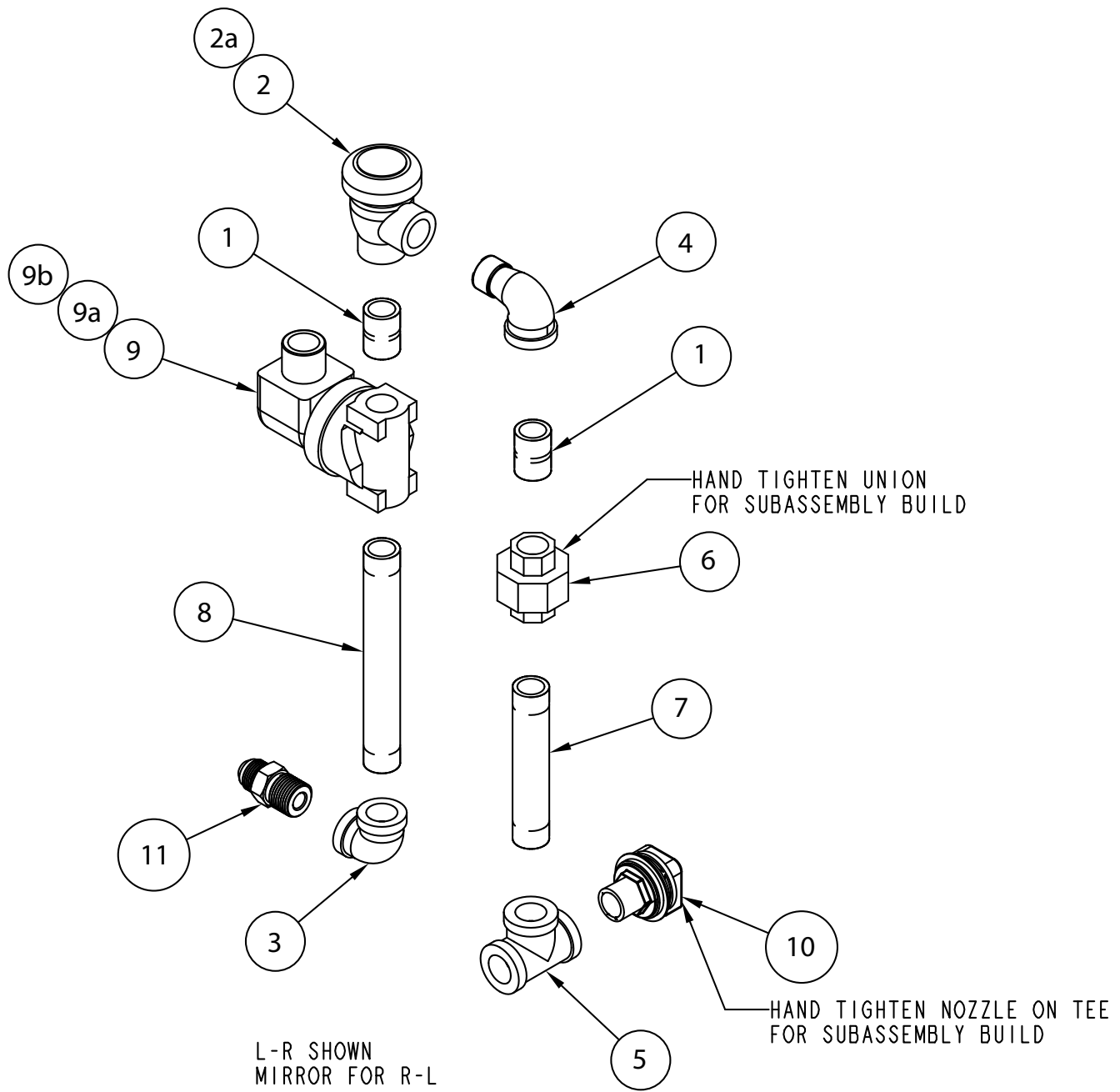
64PRO Power Rinse Fill Assembly (Prior to S/N RP20112924)



## 64 PRO Power Rinse Fill Assembly (Prior to S/N RP20112924)

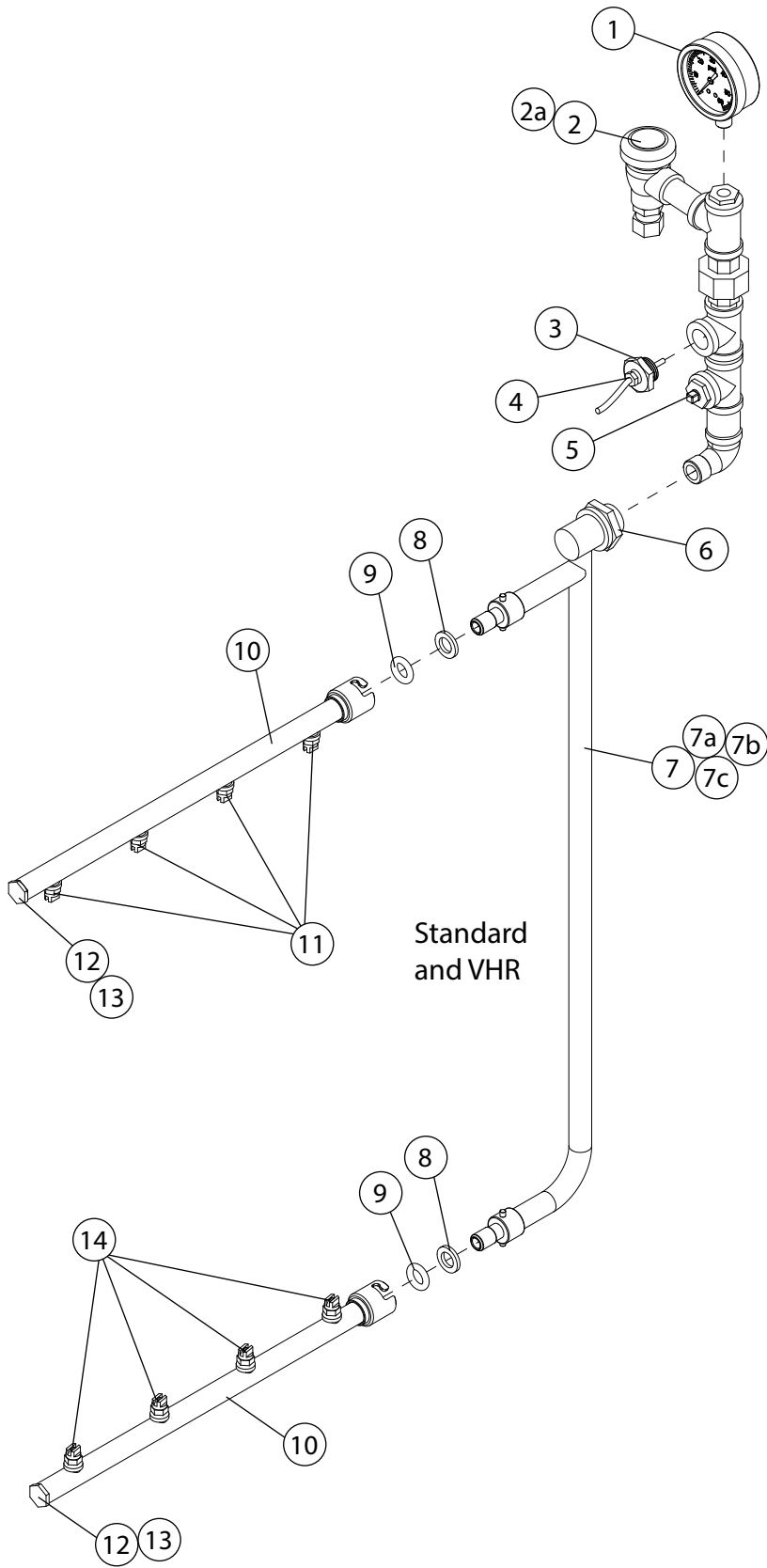
Item No.	Part No.	Description	Qty.
1	100209	NIPPLE, 1/2" NPT X CLOSE, BRASS	3
2	100500	VACUUM BREAKER, 1/2" NPT BRONZE	1
2a	900836	KIT, REPAIR VACUUM BREAKER, 1/2"	A/R
3	102435	ELBOW, 1/2" NPT X 90°, BRASS	1
4	102438	ELBOW, STREET, 1/2" NPT X 90°, BRASS	1
5	102549	UNION, 1/2" NPT, BRASS	1
6	102571	NIPPLE, 1/2" NPT X 4-1/4" LG., BRASS	1
7	109886	VALVE, SOLENOID, 1/2" NPT, HW PARKER	1
7a	109902	KIT, REPAIR VALVE, 1/2"	A/R
7b	108516	COIL, SOLENOID VALVE 120VAC	A/R
8	111325	NOZZLE, FLUSH-N POLISHED CHROME	1
---	602475-LR	FILL PIPING ASSY., POWER RINSE, L-R, (Includes Items 1-8)	
---	602475-RL	FILL PIPING ASSY., POWER RINSE, R-L, (Includes Items 1-8)	

Wash Fill Assembly (Prior to S/N RP20112924)



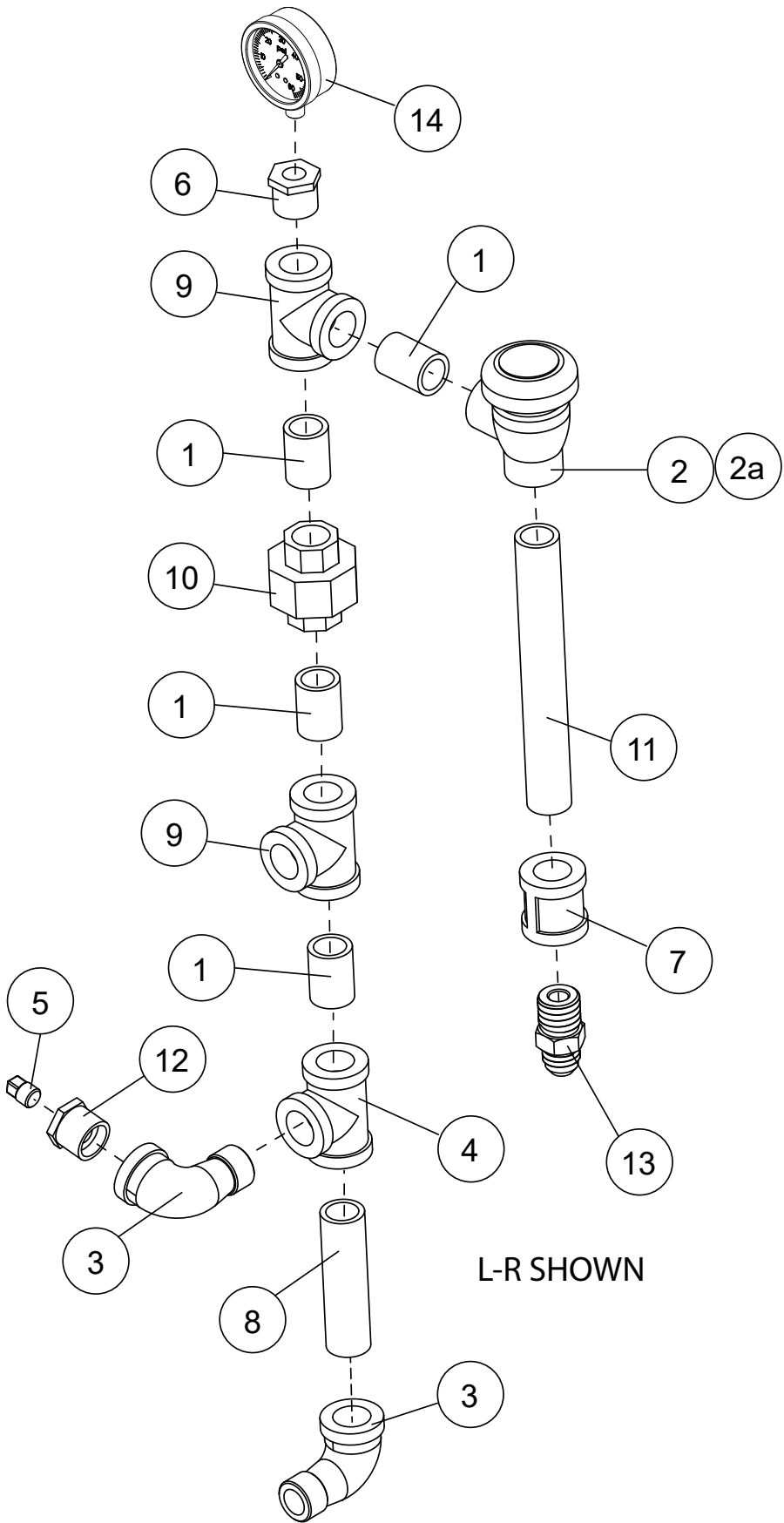
Item No.	Part No.	Description	Qty.
1	100209	NIPPLE, 1/2" NPT X CLOSE, BRASS	2
2	100500	VACUUM BREAKER, 1/2" NPT BRONZE	1
2a	900836	KIT, REPAIR VACUUM BREAKER, 1/2"	A/R
3	102435	ELBOW, 1/2" NPT X 90°, BRASS	1
4	102438	ELBOW, STREET, 1/2" NPT X 90°, BRASS	1
5	102514	TEE, 1/2" NPT, BRASS	1
6	102549	UNION, 1/2" NPT BRASS	1
7	102571	NIPPLE, 1/2" NPT X 4-1/4" LG., BRASS	1
8	102578	NIPPLE, 1/2" NPT X 6" LG., BRASS	1
9	109886	VALVE, SOLENOID, 1/2" NPT, HW PARKER	1
9a	109902	KIT, REPAIR VALVE, 1/2"	A/R
9b	108516	COIL, SOLENOID VALVE 120VAC	A/R
10	111325	NOZZLE, FLUSH-N POLISHED CHROME	1
11	115101	CONNECTOR, MALE, 1/2" NPT X 1/2" 37D FLARE JIC BRASS	1
---	602474-LR	FILL PIPING ASSY., WASH, L-R (Includes Items 1-11)	
---	602474-RL	FILL PIPING ASSY., WASH, R-L (Includes Items 1-11)	

L-R Final Rinse Assembly (All S/Ns)



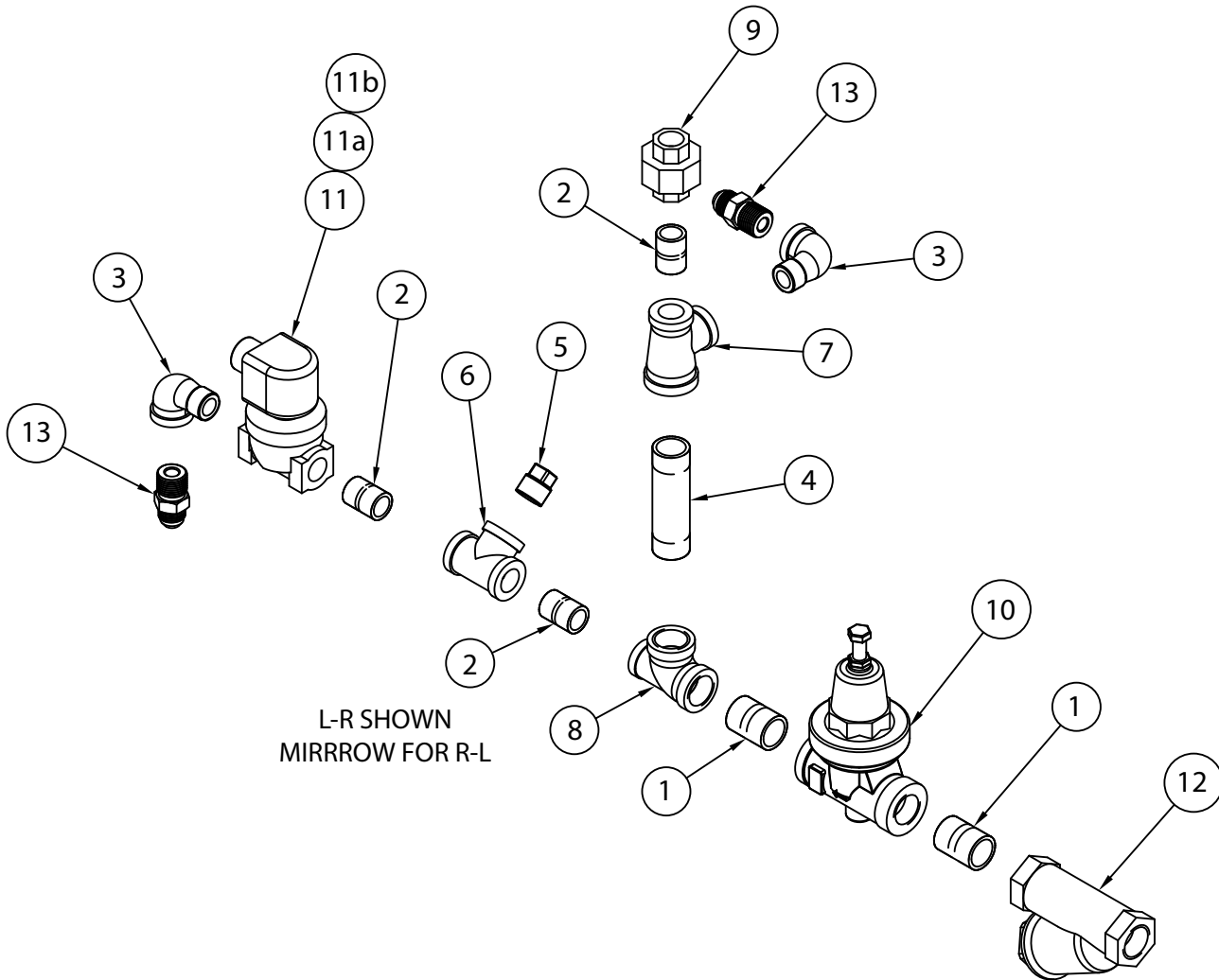
Item No.	Part No.	Description	Qty.
1	100135	GAUGE, PRESSURE, 0-60 PSI1	
2	100500	BREAKER, VACUUM 1/2" NPT BRONZE	1
2a	900836	KIT, REPAIR, VACUUM BREAKER 1/2'	A/R
3	115530	ADAPTER	1
4	114435	THERMISTOR, 10k $\Omega$ , 36" LEAD	1
5	101259	PLUG, 1/8" NPT, SQ. HEAD, BRASS	1
6	100156	LOCKNUT, 3/4" NPT BRASS	1
7	338340	MANIFOLD, STANDARD FINAL RINSE, LR	1
7a	338341	MANIFOLD, STANDARD FINAL RINSE, RL	1
7b	338342	MANIFOLD, HIGH HOOD FINAL RINSE, LR	1
7c	338343	MANIFOLD, HIGH HOOD FINAL RINSE, RL	1
8	114291	WASHER, SILICONE	2
9	114290	O-RING	2
10	337056	ARM, FINAL RINSE	2
11	111938	NOZZLE, FINAL RINSE 8004	4
12	113795	PLUG, RINSE ARM	2
13	113716	O-RING	2
14	114181	NOZZLE, FINAL RINSE 8002	4

L-R Final Rinse Piping Assembly (All S/N's)



Item No.	Part No.	Description	Qty.
1	100209	NIPPLE, 1/2" NPT X CLOSE, BRASS	4
2	100500	BREAKER, VACUUM 1/2" NPT, BRONZE	1
2a	900836	KIT, VACUUM BREAKER 1/2"	A/R
3	100516	ELBOW, STREET 1/2" NPT x 90° SST	2
4	100554	TEE, 1/2" NPT, SST	1
5	101259	PLUG, 1/8" NPT, SQUARE HEAD, BRASS	1
6	102388	BUSHING, REDUCING, 1/2" X 1/4" NPT, BRASS	1
7	102412	TEE, 1/2" NPT, BRASS	2
8	102463	NIPPLE, 1/2" NPT X 3" LG. SST	1
9	102412	COUPLER, 1/2" NPT, BRASS	2
10	102549	UNION, 1/2" NPT, BRASS	1
11	102578	NIPPLE, 1/2" NPT, 6" LG. BRASS	1
12	114717	BUSHING, REDUCING, 1/2" NPT X 1/8" NPT SST	1
13	115101	COUPLING, MALE, 1/2" NPT 37D,FLARE JIC,BRASS	1
14	100135	GAUGE, PRESSURE 0-60 PSI	1

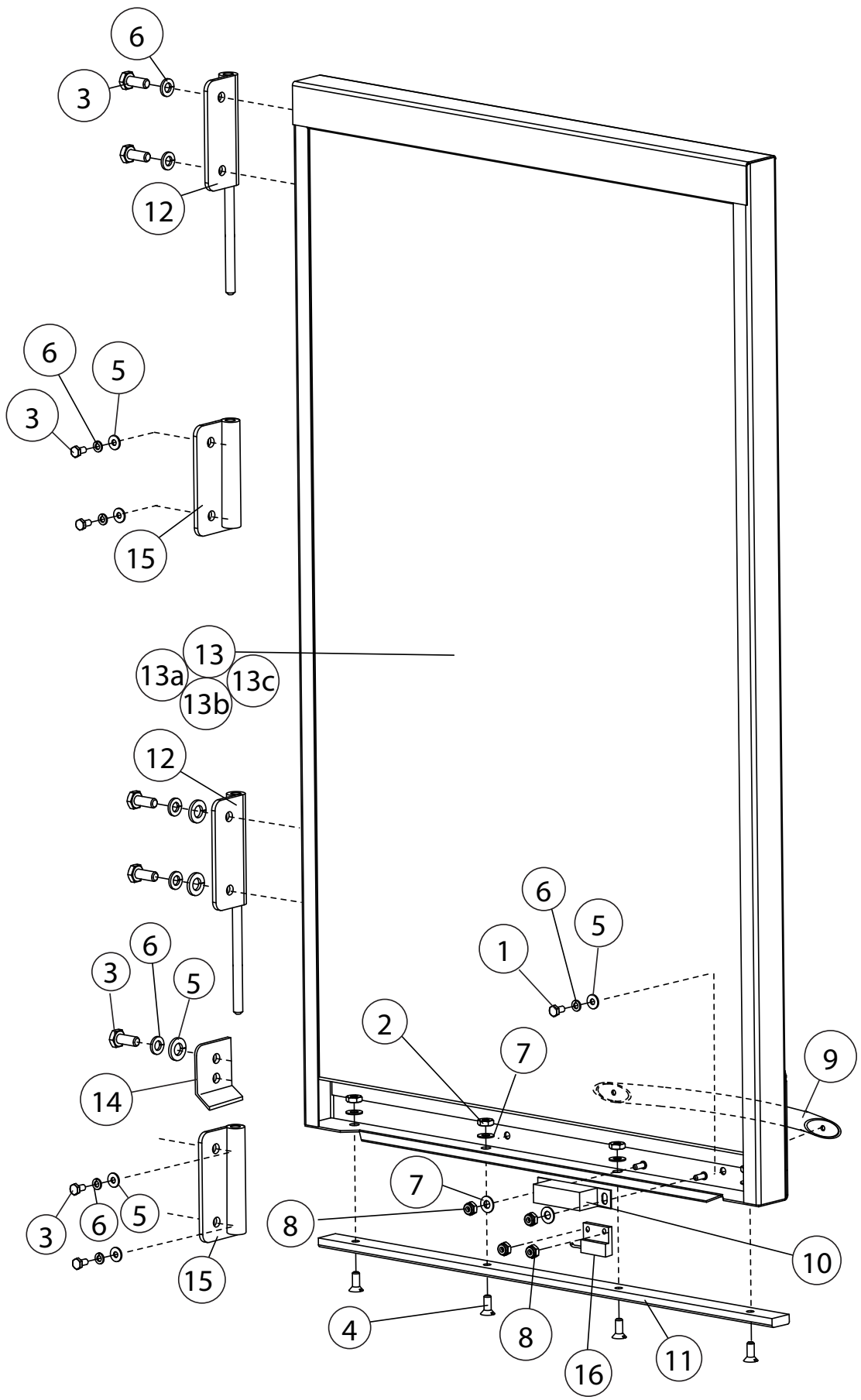
L-R Main Connect Piping Assembly, with booster, (Prior to S/N RP20112924)



L-R Main Connect Piping Assembly, with booster, (Prior to S/N RP20112924)

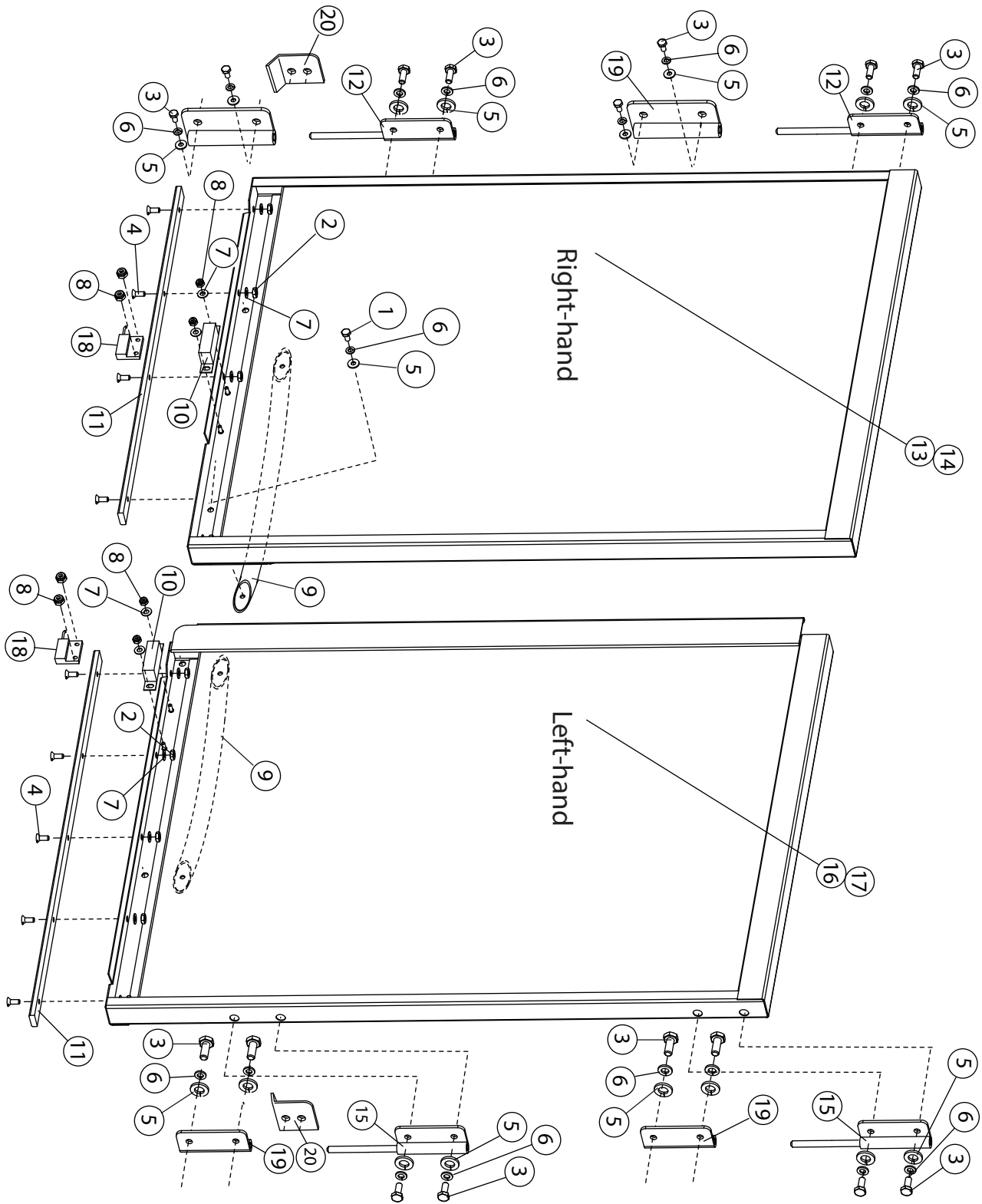
Item No.	Part No.	Description	Qty.
1	100184	NIPPLE, 3/4" NPT X CLOSE, BRASS	2
2	100209	NIPPLE, 1/2" NPT X CLOSE, BRASS	3
3	102438	ELBOW, STREET , 1/2" NPT 90° BRASS	2
4	102490	NIPPLE, 3/4" NPT X 3-1/2" LG., BRASS	1
5	102504	PLUG, 1/2" NPT SQ. HEAD, BRASS	1
6	102514	TEE, 1/2" NPT, BRASS	1
7	102524	TEE, RED, 3/4" NPT X 1/2" NPT X 1/2" NPT, BRASS	1
8	102525	TEE, RED, 3/4" NPT X 1/2" NPT X 3/4" NPT BRASS	1
9	102549	UNION, 1/2" NPT BRASS	1
10	107550	VALVE, PRESSURE REDUCING, 3/4" NPT BRONZE	1
11	109886	VALVE, SOLENOID, 1/2" NPT, HW, PARKER	1
11a	109902	KIT, REPAIR VALVE, 1/2"	A/R
11b	108516	COIL, SOLENOID VALVE 120VAC	A/R
12	110768	STRAINER, LINE, 3/4" NPT BRASS	1
13	115101	CONNECTOR, MALE, 1/2" NPT X 1/2" 37D FLARE JIC BRASS	2
---	602461-LR	MAIN CONNECT PIPING ASSY., L-R, (Includes Items 1-13)	
---	602461-RL	MAIN CONNECT PIPING ASSY., R-L, (Includes Items 1-13)	

22" and 36" Prewash Door Assembly



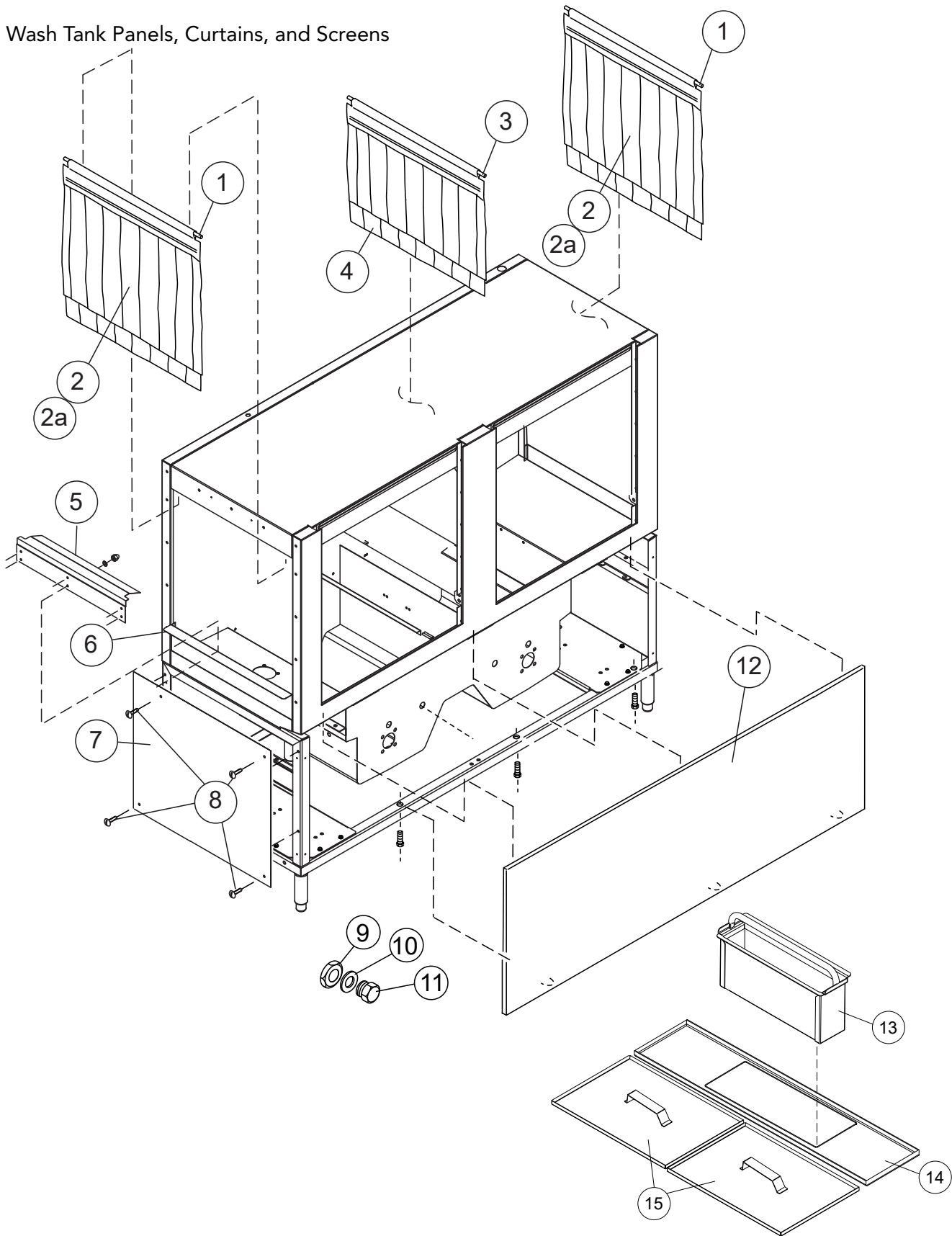
Item No.	Part No.	Description	Qty.
1	100073	BOLT, HEX HEAD, 1/4-20 x 1/2" SST	2
2	100194	NUT, HEX GRIP 10-32 SST (22PW Qty. 4)(36PW Qty.5) ←	
3	100735	BOLT, HEX HEAD 1/4-20 x 5/8" SST	12
4	100754	SCREW, FLAT HD. 10-32 x 1/2" (22PW Qty.4)(36PW Qty.5)	
5	106026	WASHER FLAT 1/4" SST	8
6	106482	WASHER, LOCK 1/4" SPLIT, SST	12
7	107033	WASHER FLAT, SST	6
8	108954	NUT, HEX GRIP 6-32 SST w/nylon insert	2
9	115665	HANDLE, DOOR, OVAL TYPE	1
10	113937	MAGNET, REED SWITCH	1
11	116175	STRIP, WEAR BOTTOM DOOR, E22PW/EBD	1
11a	116177	STRIP, WEAR BOTTOM DOOR. E64/E/84E36PW	1
12	335152	HINGED DOOR, RH	2
13	337199	DOOR, 22 V2 HINGED, STANDARD HEIGHT	1
13a	338042	DOOR, 22PRO, HINGD HIGH HOOD	1
13b	337865	DOOR, 36/64 RH, HINGED STANDARD HEIGHT	1
13c	339642	DOOR, 36/64 RH, HINGED HIGH HOOD	1
14	335977	BRACKET, HINGE DOOR REMOVAL STOP	1
15	336683	HINGE, DEV. HOOD	2
16	113721	SWITCH, DOOR SAFETY	1

# Wash Tank/Power Rinse Tank Door Assembly



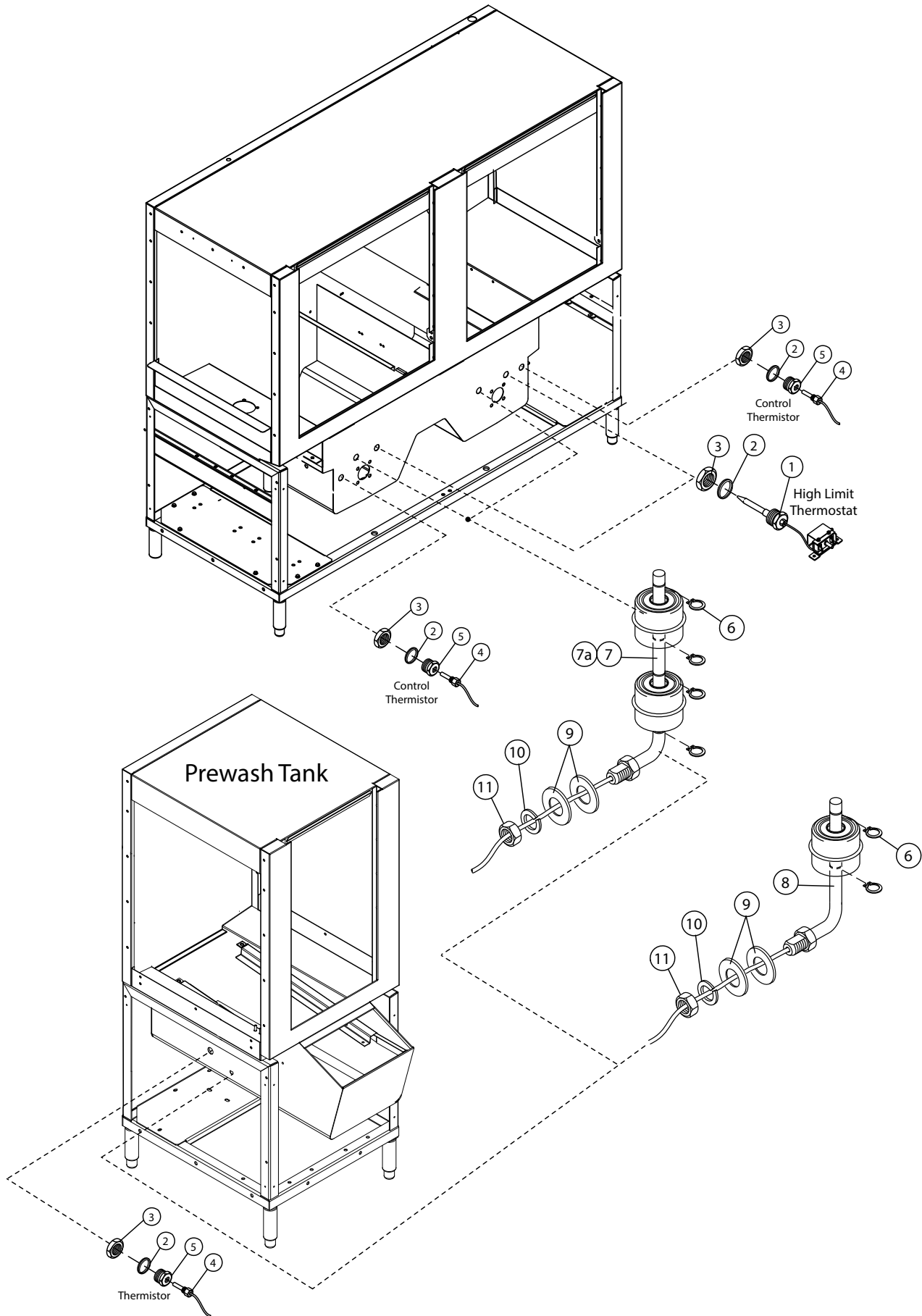
Item No.	Part No.	Description	Qty.
1	100734	BOLT, HEX, HEAD 1/4-20 x 1/2" SST	4
2	100194	NUT, GRIP 10-32 SST	9
3	100735	BOLT, HEX HEAD 1/4-20 x 5/8" SST	8
4	100754	SCREW, FLAT HEAD 10-32 x 1/2" SST	9
5	106026	WASHER, FLAT 1/4" SST	19
6	106482	WASHER, LOCK 1/4" SPLIT SST	19
7	107033	WASHER, FLAT, SST	13
8	108954	NUT, GRIP, 6-32 SST w/nylon insert	8
9	115665	HANDLE, DOOR, OVAL TYPE	2
10	113937	MAGNET, REED SWITCH	2
11	116177	STRIP, WEAR, DOOR BOTTOM, E64/E84/E36PW	2
12	335152	HINGE, WELD., DOOR RH	2
13	337865	DOOR WELD., 36/64PRO RH, HINGED STD. HEIGHT	1
14	339642	DOOR WELD., 36/64PRO LH, HINGED HIGH HOOD	1
15	335151	HINGE WELD., DOOR LH	2
16	338280	DOOR, WELD., 64PRO, LH HINGED, STANDARD HOOD	1
17	339641	DOOR, WELD. 64PRO LH HINGED, HIGH HOOD	1
18	113721	SWITCH, REED DOOR SAFETY	1
19	336683	HINGE, DEVP. HOOD	2
20	335977	STOP, HINGED DOOR REMOVAL, STOP	2

# Wash Tank Panels, Curtains, and Screens



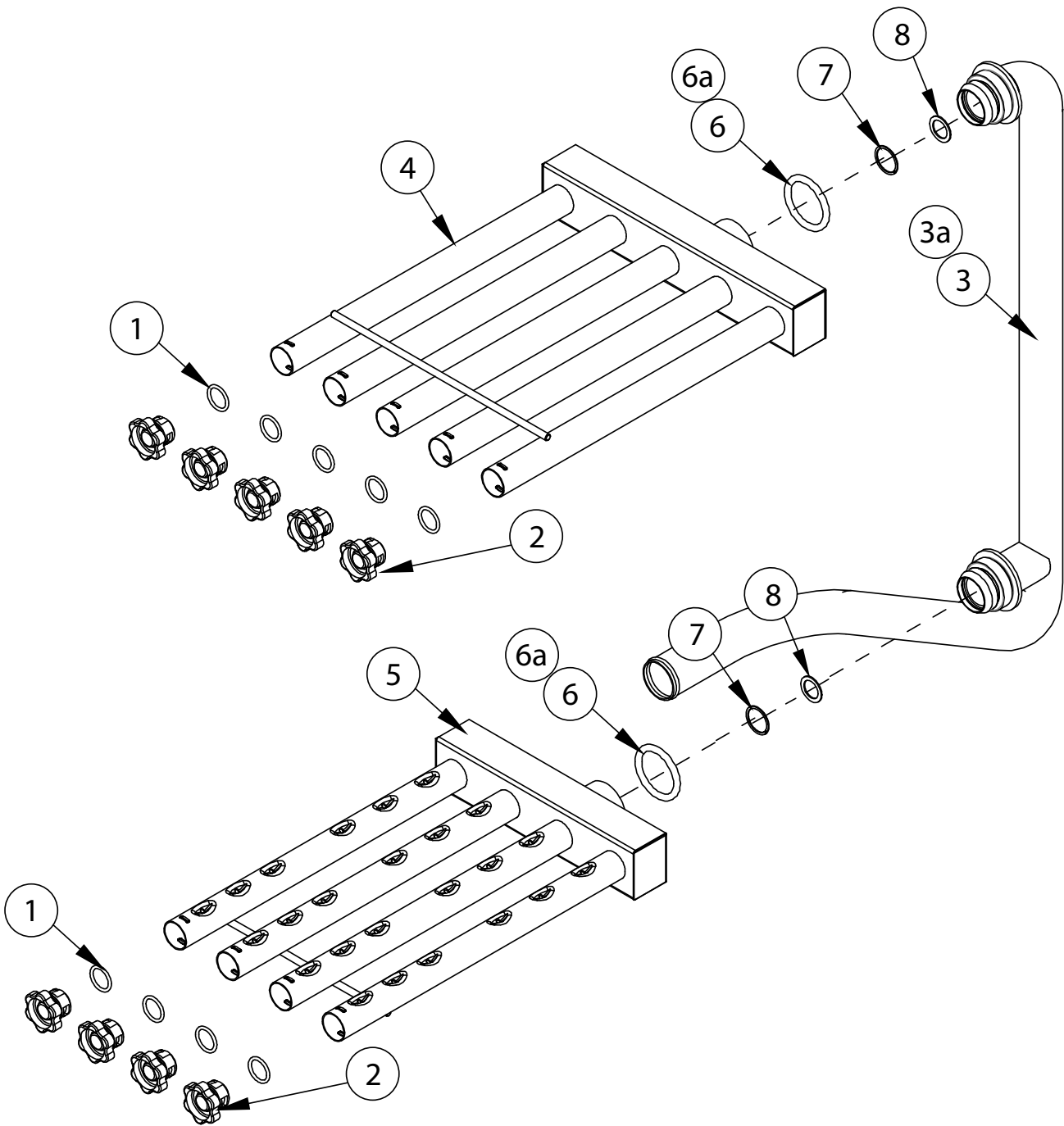
Item No.	Part No.	Description	Qty.
1	108250	ROD,CURTAIN, 5/16" X 24-5/8"	2
2	113720	CURTAIN, 24" X 20-1/4" STANDARD HOOD	2
2a	114026	CURTAIN, 24" X 24-1/4" HIGH HOOD	2
3	114012	ROD, CURTAIN, 5/16" X 23.63"	1
4	108043	CURTAIN, 24" X 13-1/4", STANDARD & HIGH HOOD	1
5	329927	BAFFLE, TABLE FLANGE WITH CUTOUT	1
6	328451	FLANGE, TABLE	2
7	337085	PANEL, END	2
8	100073	SCREW, 1/4-20 X 1/2" TRUSS HEAD	4
9	108417	NUT, 1/2" NPT PLASTIC	A/R
10	109034	GASKET, 1/2" FIBER WASHER	A/R
11	108418	PLUG, 1/2" NPT PLASTIC	A/R
12	338350	PANEL, FRONT PERIMETER	1
13	338148	BASKET, REFUSE	2
14	338149	FILLER, SCRAP BASKET	2
15	339487	SCREEN, SCRAP	4
---	113944	NUT, 3/4" NPT PLASTIC (NOT SHOWN)	3
---	108620	GASKET, 3/4" PLUG (NOT SHOWN)	3
---	113943	PLUG, 3/4" NPT PLASTIC (NOT SHOWN)	3

# Tank Floats and Thermistors



Item No.	Part No.	Description	Qty.
1	110561	THERMOSTAT, FIXED HIGH, LIMIT. 240°F	2
2	115489	O-RING	2
3	100547	LOCKNUT, 1/2" NPT SST	2
4	114435	THERMISTOR, 10kΩ, 36" LEAD	4
5	115530	ADAPTER	2
6	111151	C-CLIP	A/R
7	113291	FLOAT SWITCH, DUAL, WASH & POWER RINSE TANK	2
7a	110854	FLOAT SWITCH, PW (Prior to S/N RP21013012)	1
8	115352	FLOAT SWITCH, PW (Begin with S/N RP21013012)	1
9	104882	WASHER, FLAT 1/2" SST	6
10	107589	WASHER, LOCK 1/2" SST	3
11	104584	NUT, PLAIN 1/2-13	3
---	110750	GASKET. 1/4" PLUG	3

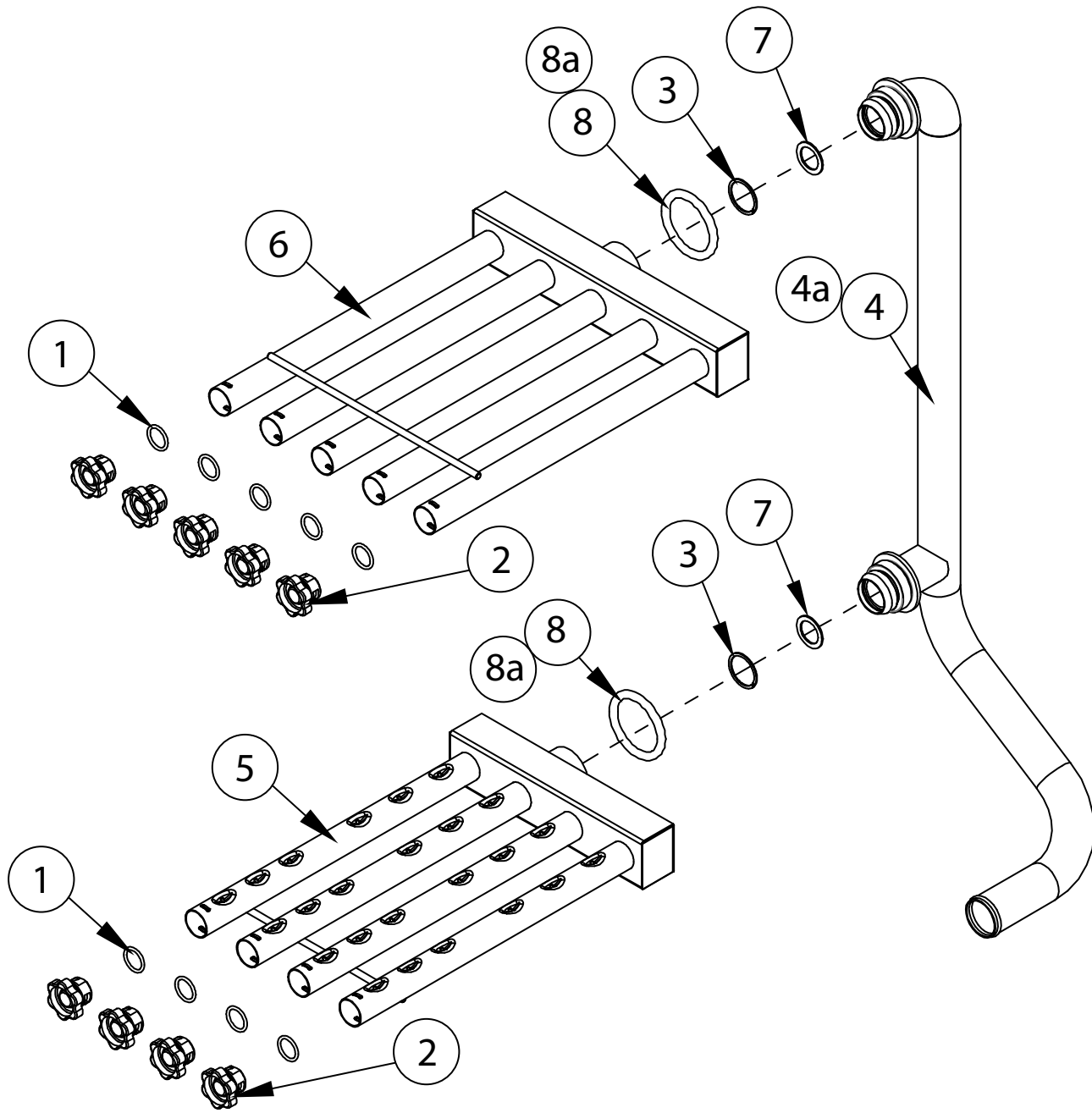
Left-hand Wash and Power Rinse Manifold Assembly



Left-hand Wash and Power Rinse Manifold Assembly

Item No.	Part No.	Description	Qty.
1	104414	O-RING, 1" X 1-1/4" X 1/8"	9
2	112240	PLUG, DEBOSSSED SPRAYPIPE	9
3	339125	STANDPIPE WELD., LH, 64PRO, STD. HT.	1
3a	339644	STANDPIPE WELD., LH, 64PRO, HIGH HOOD	1
4	339130	MANIFOLD WELD., 64PRO, UPPER, LH 5-PIPE	1
5	339355	MANIFOLD WELD., 64PRO, LOWER, LH 4-PIPE	1
6	116609	O-RING, WASH ARM (Prior to S/N RP23114570)	2
6a	117688	O-RING, WASH ARM (Begin with S/N RP23114570)	2
7	117039	RING, RETAINING (POWER RINSE ONLY)	2
8	339485-1	RESTRICTOR (POWER RINSE ONLY)	2

# Right-hand Wash and Power Rinse Manifold Assembly

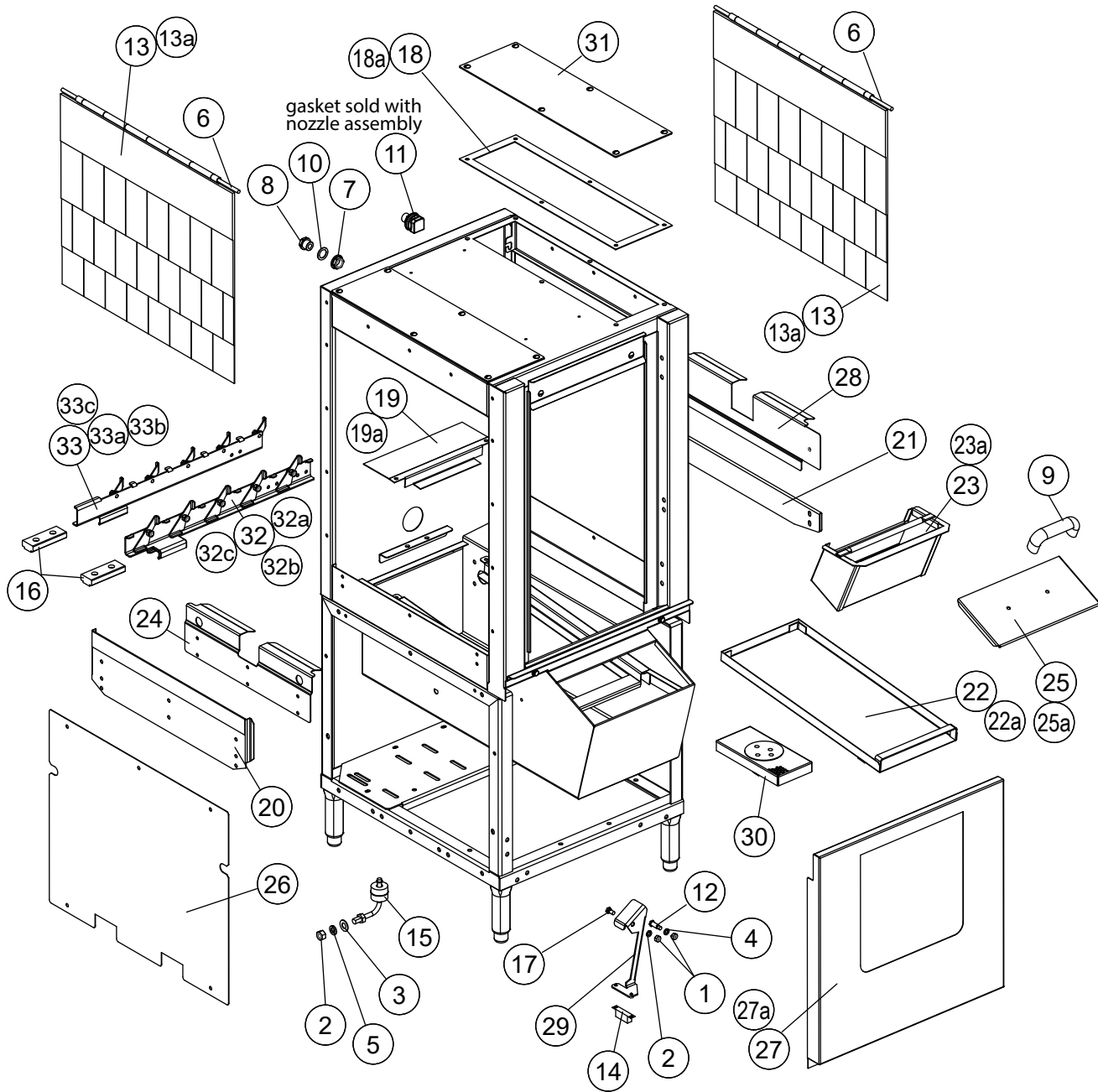


Right-hand Wash and Power Rinse Manifold Assembly

Item No.	Part No.	Description	Qty.
1	104414	O-RING, 1" X 1-1/4" X 1/8"	9
2	112240	PLUG, DEBOSSSED SPRAYPIPE	9
3*	117039	RING, RETAINING, (POWER RINSE ONLY)	2
4	339128	STANDPIPE WELD., RH, 64PRO, STD. HT.	1
4a	339645	STANDPIPE WELD., RH, 64PRO, HIGH HOOD	1
5	339131	MANIFOLD WELD., 64PRO, LOWER, RH 4-PIPE	1
6	339132	MANIFOLD WELD., 64PRO, UPPER RH, 5-PIPE	1
7*	339485-1	RESTRICTOR, (POWER RINSE ONLY)	2
8	116609	O-RING, WASH ARM (Prior to S/N RP23114570)	2
8a	117688	O-RING, WASH ARM (Begin with S/N RP23114570)	2

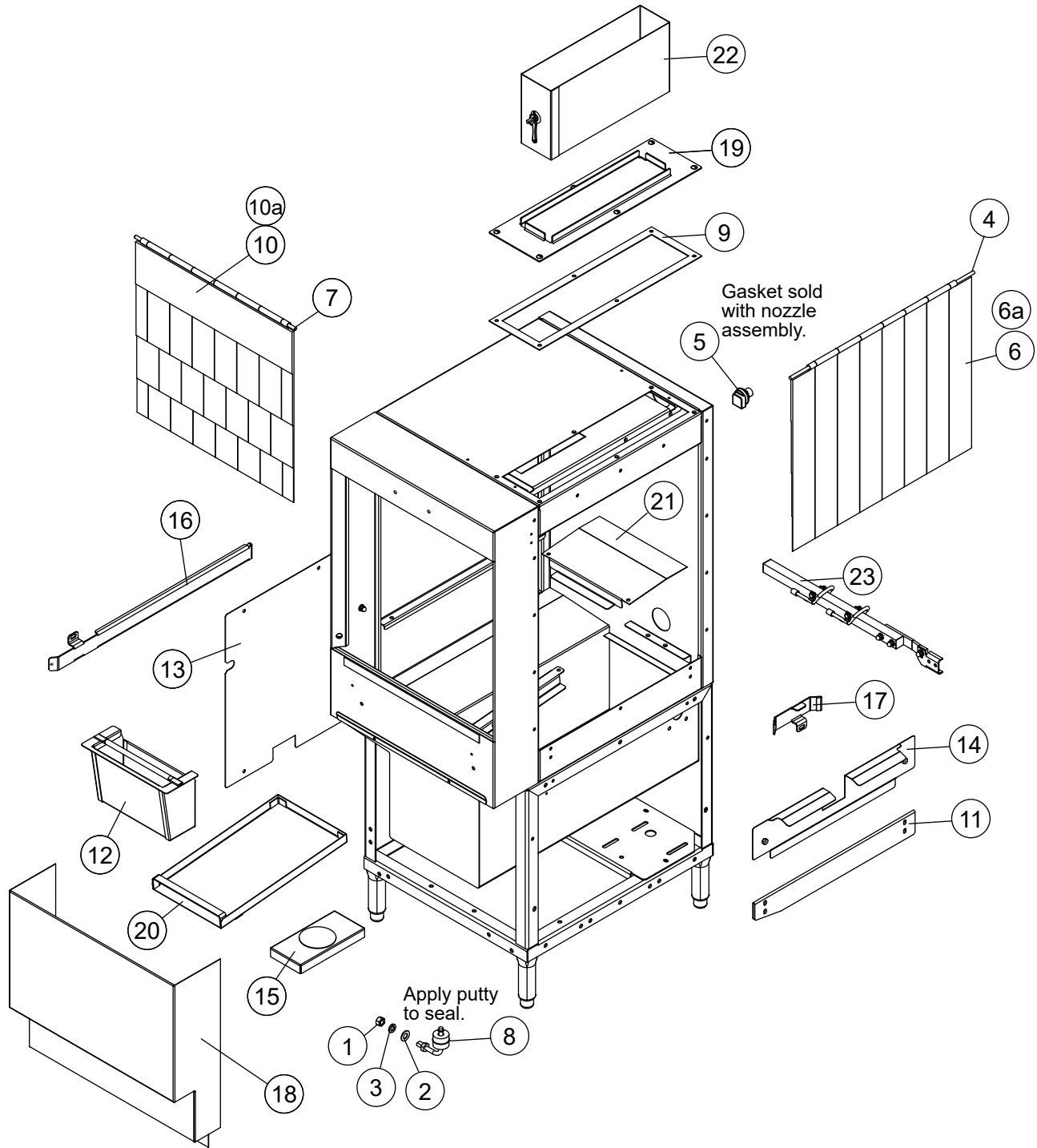
\* RETAINING RING AND RESTRICTOR GO INTO THE POWER RINSE ONLY.

Panels and Curtains - 22PW, 22PW-VHR, 36PW, 36PW-VHR



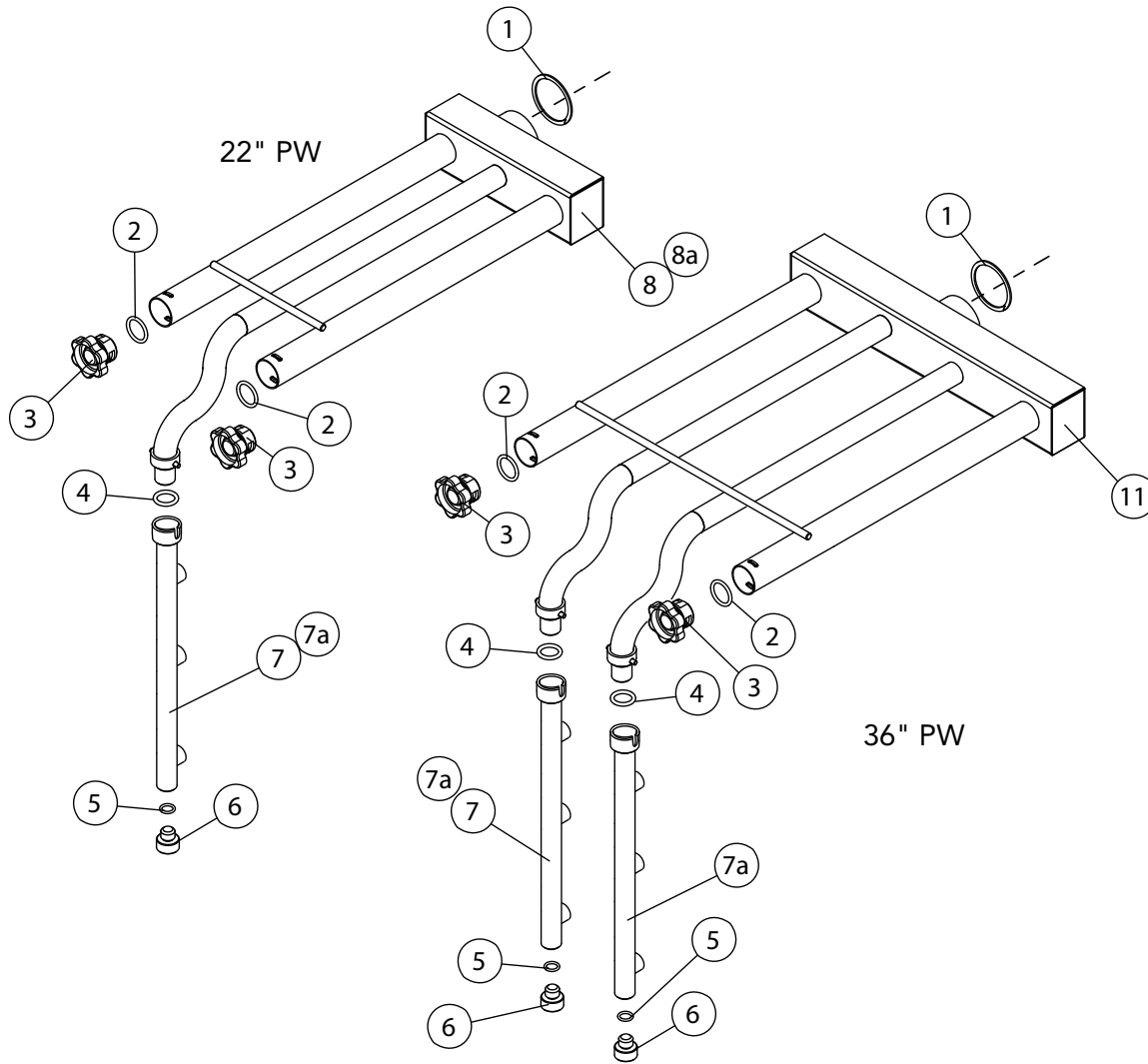
Item No.	Part No.	Description	Qty.
1	100154	HEX PLAIN NUT, 5/16-18, SST	2
2	104584	HEX PLAIN NUT, 1/2-13, SST	1
3	104882	WASHER, FLAT, SST	1
4	106013	WASHER, LOCK 5/16", SPLIT, SST	2
5	107589	WASHER, LOCK 1/2", SPLIT, SST	1
6	108250	ROD, CURTAIN, 5/16" X 25-5/8", SST	2
7	108417	LOCKNUT, 1/2" PLASTIC	1
8	108418	PLUG, 1/2" PLASTIC	1
9	108966	HANDLE, DOOR	1
10	109034	GASKET, 13/16" X 1-3/16", (1/2" PLUG)	1
11	111325	NOZZLE, FLUSH-N POLISHED CHROME	1
12	113692	SCREW, 3/8" X 3/4" X 5/16-18, SHOULDER	1
13	113720	CURTAIN, 24" X 20-1/4" 4-PLY	2
13a	114026	CURTAIN, 24" X 24-1/2" 4-PLY, HIGH HOOD	2
14	113937	MAGNET, REED SWITCH	1
15	115352	FLOAT, SWITCH	1
16	116333	BEARING, BLOCK UHMW	2
17	116470	SCREW, 3/8" X 1/8" X 5/16-18, SHOULDER	1
18	117206	GASKET, PRO-PW HOOD, TOP BLOCK-OFF, STANDARD	2
18a	117208	GASKET, PRO-PW HOOD, TOP BLOCK-OFF, VHR	1
19	328006	SUPPORT, REAR SCREEN, 22PW	1
19a	328063	SUPPORT, REAR SCREEN, 36PW	1
20	328451	TABLE, FLANGE, PREP SYSTEM	1
21	328604	U-CLIP, BLOWER- HOOD CONNECTION	1
22	328958	SCREEN, REFUSE, 22PW	1
22a	328960	SCREEN, REFUSE, 36PW	2
23	328959	REFUSE, BASKET ASSEMBLY, 22PW	1
23a	328967	REFUSE, BASKET ASSEMBLY, 36PW	1
24	329927	BAFFLE, TABLE FLANGE, W/CUT-OUT	1
25	335332	COVER, REFUSE BASKET, 22PW, HINGED DOOR	1
25a	335333	COVER, REFUSE BASKET, 36PW, HINGED DOOR	1
26	337085	PANEL, END	1
27	337213	PANEL, FRONT, 22PW	1
27a	337870	PANEL, FRONT, 36PW	1
28	337629	BAFFLE, WASH 22PW	1
29	338184-1	IDLE PUMP/FINAL RINSE LEVER, LR	1
30	341145	PUMP SUCTION SCREEN (New Style, backward compatible)	1
31	339833	HOOD TOP, BLOCK -OFF PLATE	1
32	421211	PAWL BAR ASSY., 22PW, LH GEN2	1
32a	421191	PAWL BAR ASSY., 22-VHR PW, LH GEN2	1
32b	421213	PAWL BAR ASSY., 36-PW, LH GEN2	1
32c	421215	PAWL BAR ASSY., 36-VHR, LH GEN2	1
33	421212	PAWL BAR ASSY., 22PW, RH GEN2	1
33a	421192	PAWL BAR ASSY., 22-VHR, RH GEN2	1
33b	421214	PAWL BAR ASSY., 36PW, RH GEN2	1
33c	421216	PAWL BAR ASSY., 36-VHR, RH GEN2	1

Panels and Curtains - 22PW Front Feed



Item No.	Part No.	Description	Qty.
1	104584	HEX PLAIN NUT, 1/2-13 SST	1
2	104882	WASHER, FLAT, SPLIT SST 304	1
3	107589	WASHER LOCK, 1/2" SPLIT, SST	1
4	108250	ROD, CURTAIN, 5/16" x 24" x 24-5/8"	1
5	111325	NOZZLE, FLUSH-IN POLISHED CHROME	1
6	113720	CURTAIN, 24" x 20-1/4" 4-ply, STD. HOOD	1
6a	114026	CURTAIN, 24" X 24-1/4" 4-PLY, HIGH HOOD	1
7	113828	CURTAIN ROD, .3 ID X 21.50" 304 SST	1
8	115352	FLOAT SWITCH, E-RACK, AUX RINSE	1
9	117206	GASKET, PRO-PW HOOD, TOP BLOCK-OFF	1
10	207993	CURTAIN, MODIFIED 113720, 22PRO-FF STD HOOD	1
10a	207934	CURTAIN, MODIFIED 114026, 22PRO-FF HIGH HOOD	1
11	328604	U-CLIP, BLOWER HOOD CONNECTION	1
12	329492	BASKET, E26PW, REFUSE	1
13	337085	PANEL, END V2-RACK	1
14	337629	BAFFLE, WASH, 22PRO	1
15	341145	PUMP SUCTION SCREEN, PRO RACK PW	1
16	340468	GUIDE, RAIL, END, 22PRO-FF	1
17	340469	GUIDE, RAIL, CORNER, 22PRO-FF	1
18	340472	PANEL, FRONT, 22PRO-FF	1
19	340473	ADAPTER, PLATE, VENT STACK, 22PRO-FF	1
20	340731	SCREEN, REFUSE, 22PRO-FF	1
21	340733	SCREEN, SUPPORT, REAR, 22PRO-FF	1
22	401487	VENT STACK 4" X 16"	1
23	421698	PAWL BAR ASSEMBLY, 22PRO-FF	1

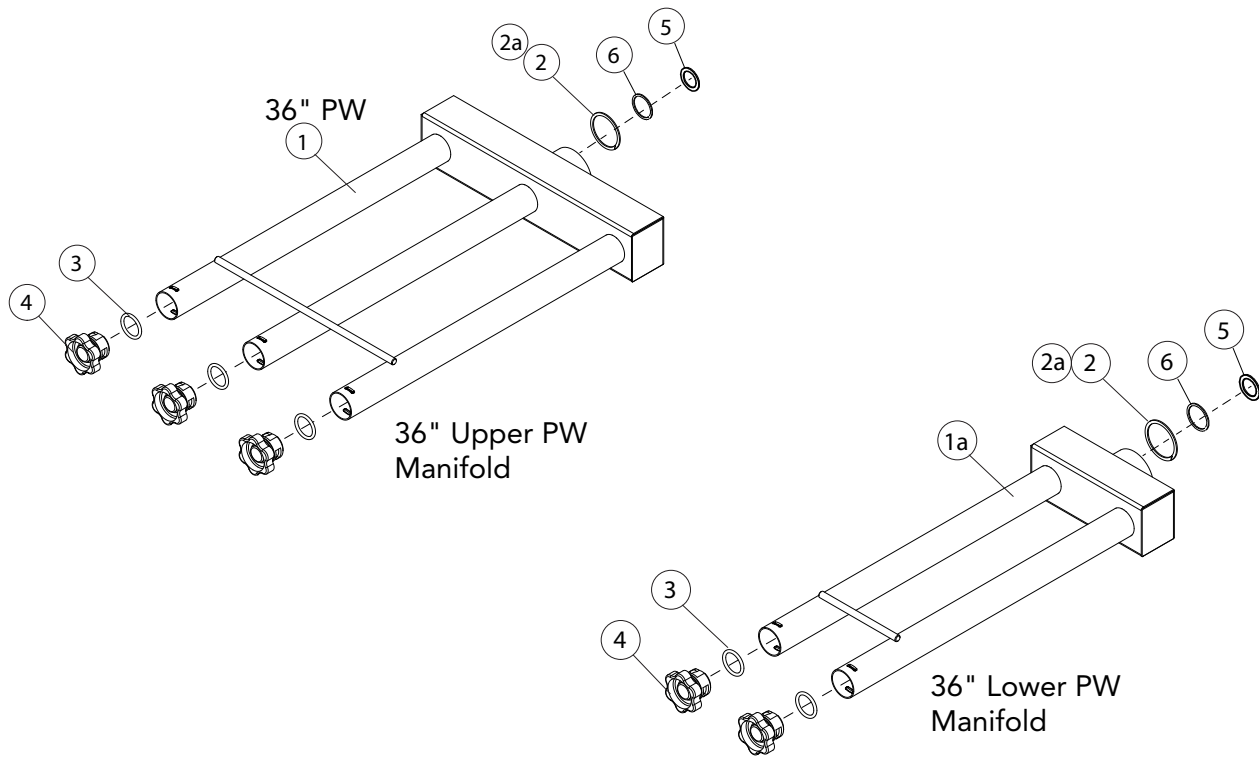
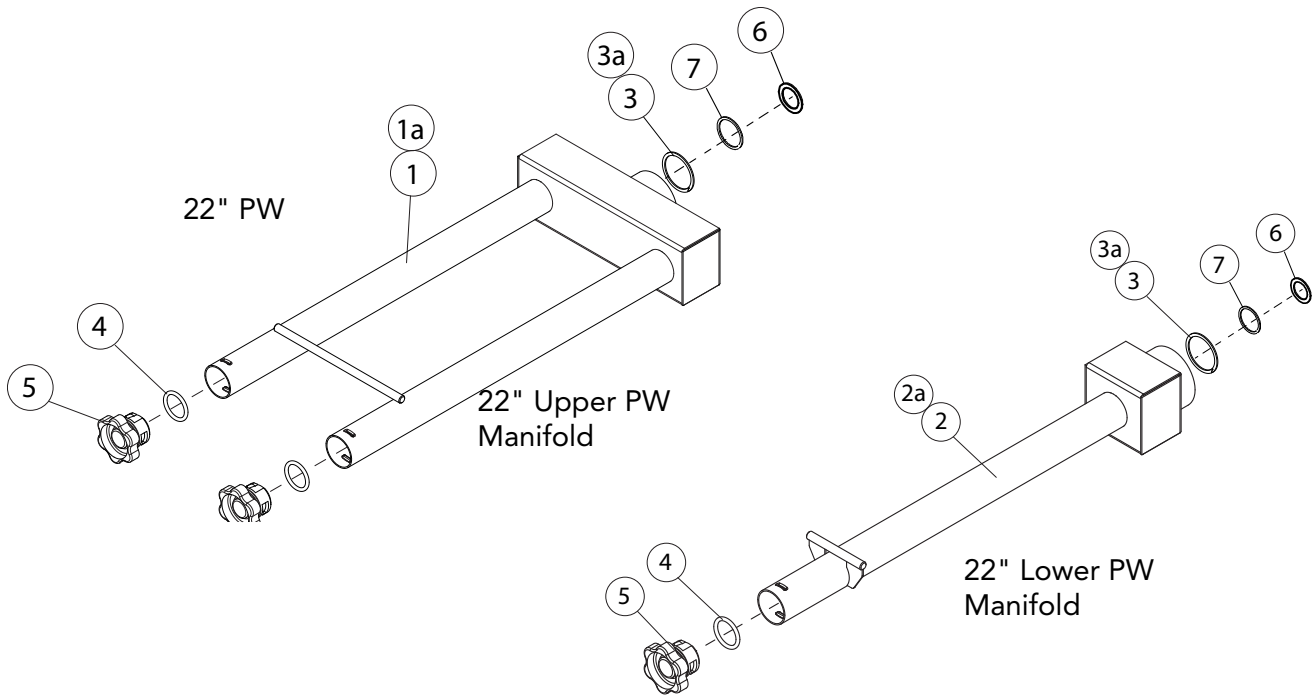
22" and 36" Prewash Spray Manifolds (Prior to S/N RP21013012)



22" and 36" Prewash Spray Manifolds (Prior to S/N RP21013012)

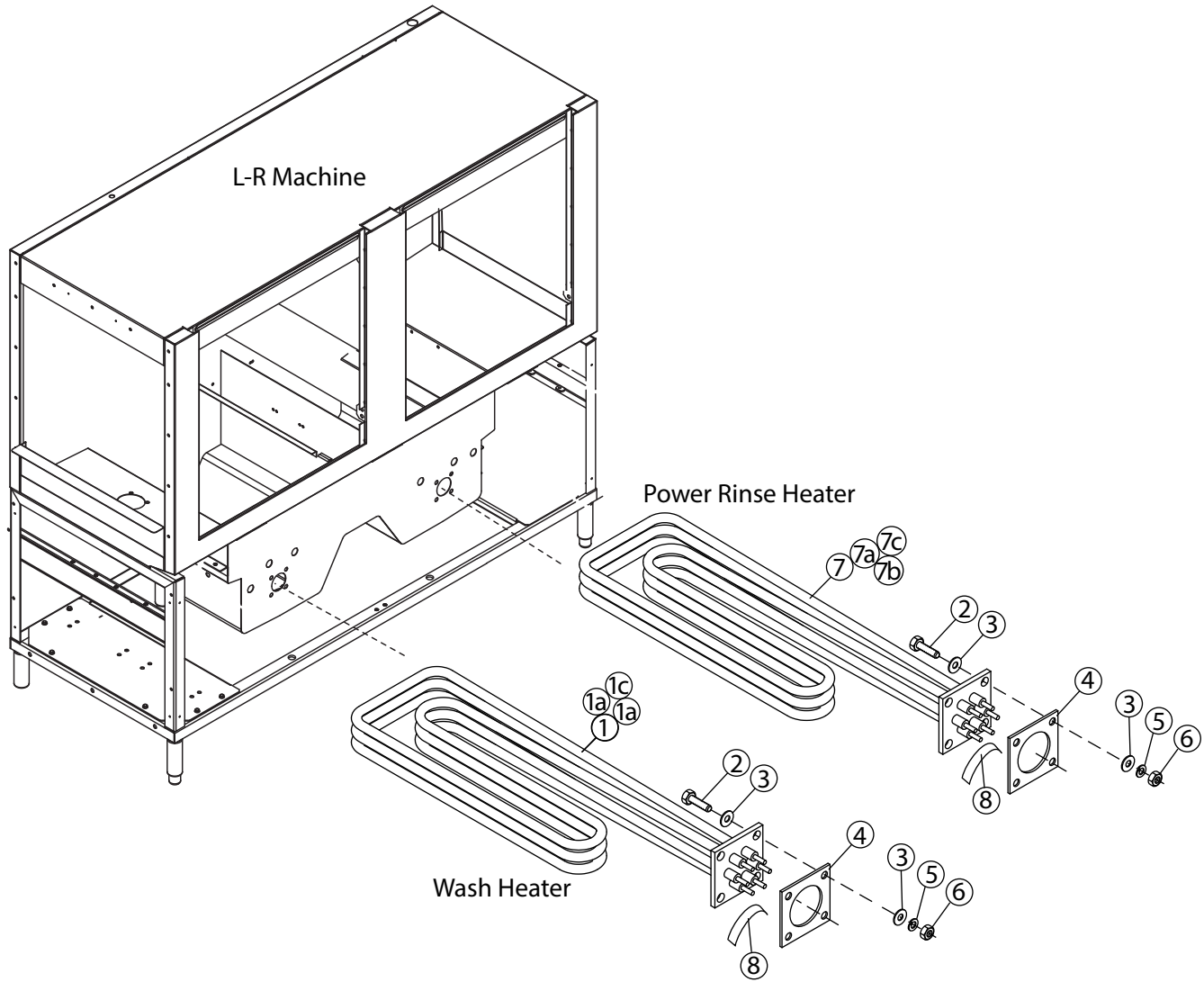
Item No.	Part No.	Description	Qty.
1	116609	O-RING WASH ARM	1
2	104414	O-RING, END CAP	A/R
3	112240	CAP, END WASH ARM	A/R
4	116608	O-RING, PREWASH SIDE ARM	A/R
5	113716	O-RING	A/R
6	113555	PLUG, CLEAN-OUT	A/R
7	337656	SPRAYPIPE, SIDEWASH 22PW/36PW, STD HEIGHT	A/R
7a	338214	SPRAYPIPE, SIDEWASH 22PW/36PW, HIGH HOOD	A/R
8	337665	WASH ARM MANIFOLD, PREWASH 22" RL	1
8a	337657	WASH ARM MANIFOLD, PREWASH 22" LR	1
9	337988	WASH ARM MANIFOLD, PREWASH 36PW (RL &LR)	1

22" and 36" Prewash Spray Manifolds (Beginning with S/N RP21013012)



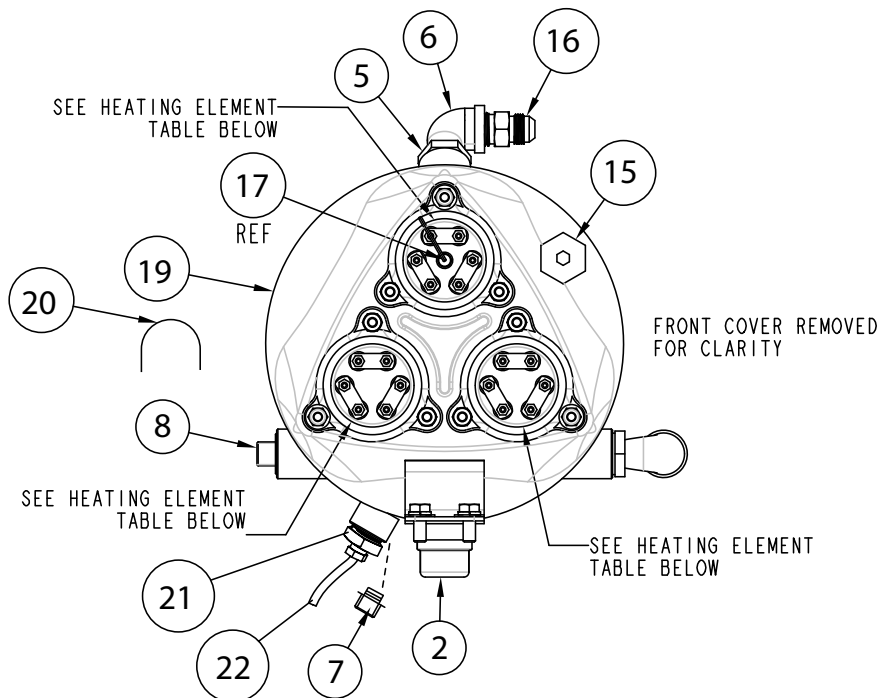
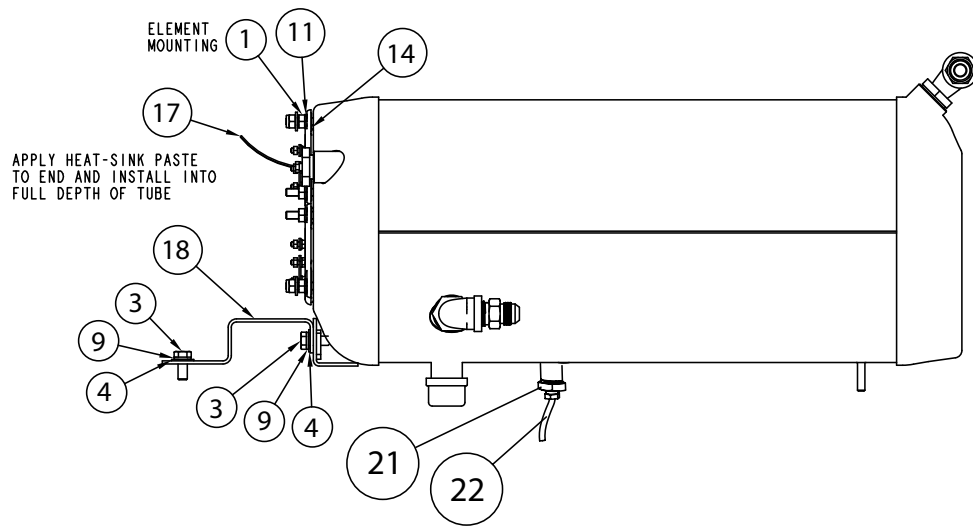
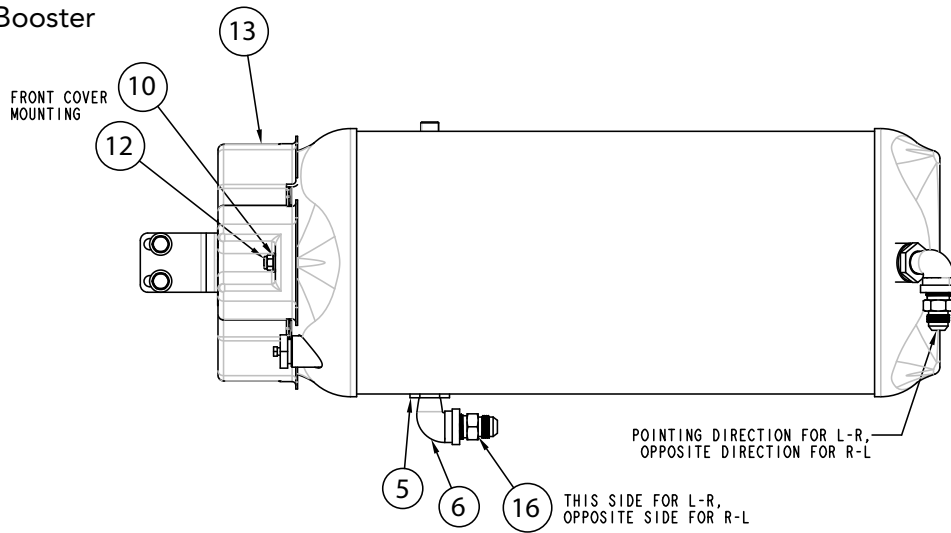
22" and 36" Prewash Spray Manifolds (Beginning with S/N RP21013012)

Item No.	Part No.	Description	Qty.
22" PW			
1	339780	MANIFOLD, 22", UPPER, TWO PIPE	1
1a	207932	MANIFOLD, FF, UPPER, TWO PIPE	1
2	339779	MANIFOLD, 22", LOWER, ONE PIPE	1
2a	207931	MANIFOLD, 22"FF, LOWER, ONE PIPE	1
3	116609	O-RING, WASH ARM (Prior to S/N RP23114570)	1
3a	117688	O-RING, WASH ARM, (Begin with S/N RP23114570)	1
4	104414	O-RING, END PLUG	A/R
5	102240	PLUG, DEBOSSSED	A/R
6	339485-7	RESTRICTOR, BOTTOM, 22PW PRO	1
7	117039	RETAINING RING	2
36" PW			
1	339782	MANIFOLD, 36", UPPER, THREE PIPE	1
1a	339781	MANIFOLD, 36", LOWER, TWO PIPE	1
2	116609	O-RING, WASH ARM (Prior to S/N RP23114570)	1
2a	117688	O-RING, WASH ARM, (Begin with S/N RP23114570)	1
3	104414	O-RING, END PLUG	A/R
4	102240	PLUG, DEBOSSSED	A/R
5	339485-3	RESTRICTOR, TOP & BOTTOM 36"PW PRO	2
6	117039	RETAINING RING	2



Item No.	Part No.	Description	Qty.
1	113516	HEATER, 15/18KW 200-220V/60/1 & 3, 380V/60/3	1
1a	113517	HEATER, 15/16/3 KW 230-240V/60/1 & 3 400-415V/60/3	1
1b	113518	HEATER, 15/16.3 KW 460-480V/60/3	1
1c	113519	HEATER, 15KW, 575V/60/3	1
2	100153	BOLT, 3/18-16 x 1" HEX HEAD, SST	4
3	104618	WASHER, FLAT 3/8" SST	8
4	108345	GASKET, 3" x 3" x 1/8", 2" HOLE	1
5	106407	WASHER, LOCK 3/8" SPLIT, SST	4
6	100140	NUT, PLAIN 3/8-16 SST	4
7	113804	HEATER, 10/12.1KW 200-220/3	1
7a	113882	HEATER, 10/11 KW 230-240V/3	1
7b	113883	HEATER, 10/11KW, 460-480V/3	1
7c	113884	HEATER, 10/11KW, 575V/3	1
8	111885	INSULATION, FISH PAPER	2

# Electric Booster

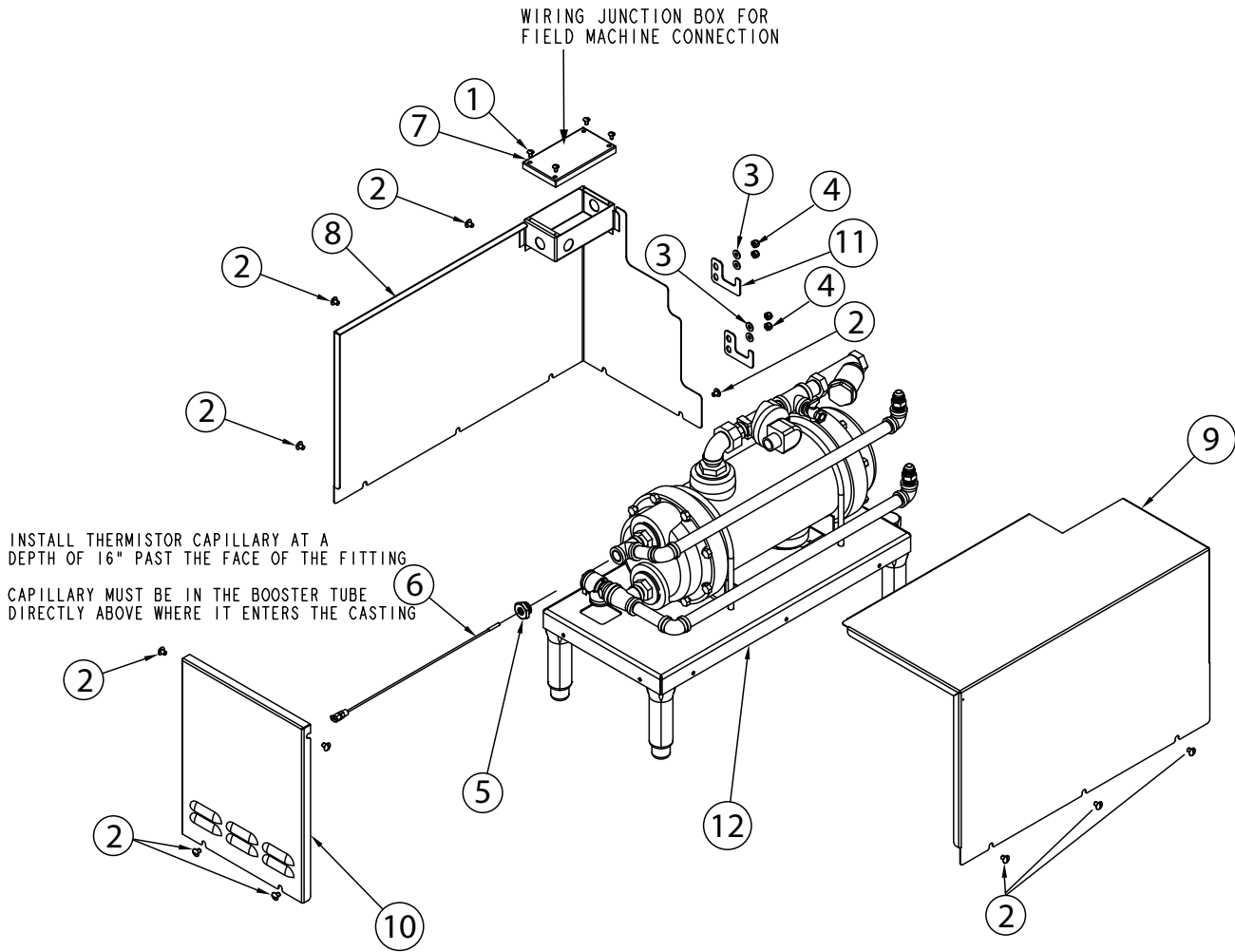


Item No.	Part No.	Description	Qty.
1	100003	NUT, PLAIN, 1/4-20 SST	9
2	100113	CAP, 3/4" NPT, SST	1
3	100739	BOLT, HEX HEAD, 5/16-18 X 3/4" SST	4
4	102376	WASHER, FLAT 5/16"	4
5	102392	BUSHING, REDUCING, 3/4" NPT X 1/2" NPT BRASS	2
6	102438	ELBOW, STREET, 1/2" NPT X 90°	2
7	102504	PLUG, 1/2" NPT, SQ. HD, BRASS (From/SN RP18021381 to S/N RP21083364)	1
8	102505	PLUG, 3/4" NPT SQ. HD, BRASS	1
9	106013	WASHER, LOCK 5/16" SPLIT SST	4
10	106026	WASHER, FLAT, 1/4" SST	4
11	106482	WASHER, LOCK 1/4" SPLIT SST	9
12	107967	NUT GRIP, 1/4-20 SST, W/NYLON	3
13	108576	COVER, BOOSTER HEATER, NO CUTOUT	1
14	109985	SEAL, BOOSTER HEATER	3
15	110561	THERMOSTAT, FIXED HI-LIMIT 212°F, 1/2" NPT	1
16	115101	CONNECTOR, MALE, 1/2" NPT X 1/2", 37D FLARE JC BRASS	2
17	116754	THERMISTOR, PROBE, US SENSOR (USP 192261) (From/SN RP18021381 to S/N RP21083364)	1
18	328254	BRACKET, BOOSTER, FRONT SUPPORT	1
19	414331	TANK, BOOSTER	1
20	111885	INSULATION, FISH PAPER	1
21	115530	ADAPTER (From S/N RP21083364 and above)	1
22	117270	THERMISTOR, 10kΩ, 8.25" LG., 36" LEAD (From S/N RP21083364 and above)	1

BOOSTER HEATER ELEMENTS			
VOLTAGE	TOP ELEMENT (9kW) with P/N 116754 Thermistor installed in center of element	BTM ELEMENTS (6kW)	WIRING COMMENTS
208-220/380	116624	107909	380V WIRED AS WYE, OTHERS AS DELTA
230-240/415	116625	114030	415V WIRED AS WYE, OTHERS AS DELTA
460-480	116626	114031	WIRED AS DELTA
575	116627	114032	WIRED AS DELTA

BOOSTER HEATER ELEMENTS			
VOLTAGE	TOP ELEMENT (9kW) with P/N 117270 Thermistor installed on tank bottom	BTM ELEMENTS (6kW)	WIRING COMMENTS
208-220/380	111334	107909	380V WIRED AS WYE, OTHERS AS DELTA
230-240/415	111305	114030	415V WIRED AS WYE, OTHERS AS DELTA
460-480	108579	114031	WIRED AS DELTA
575	111122	114032	WIRED AS DELTA

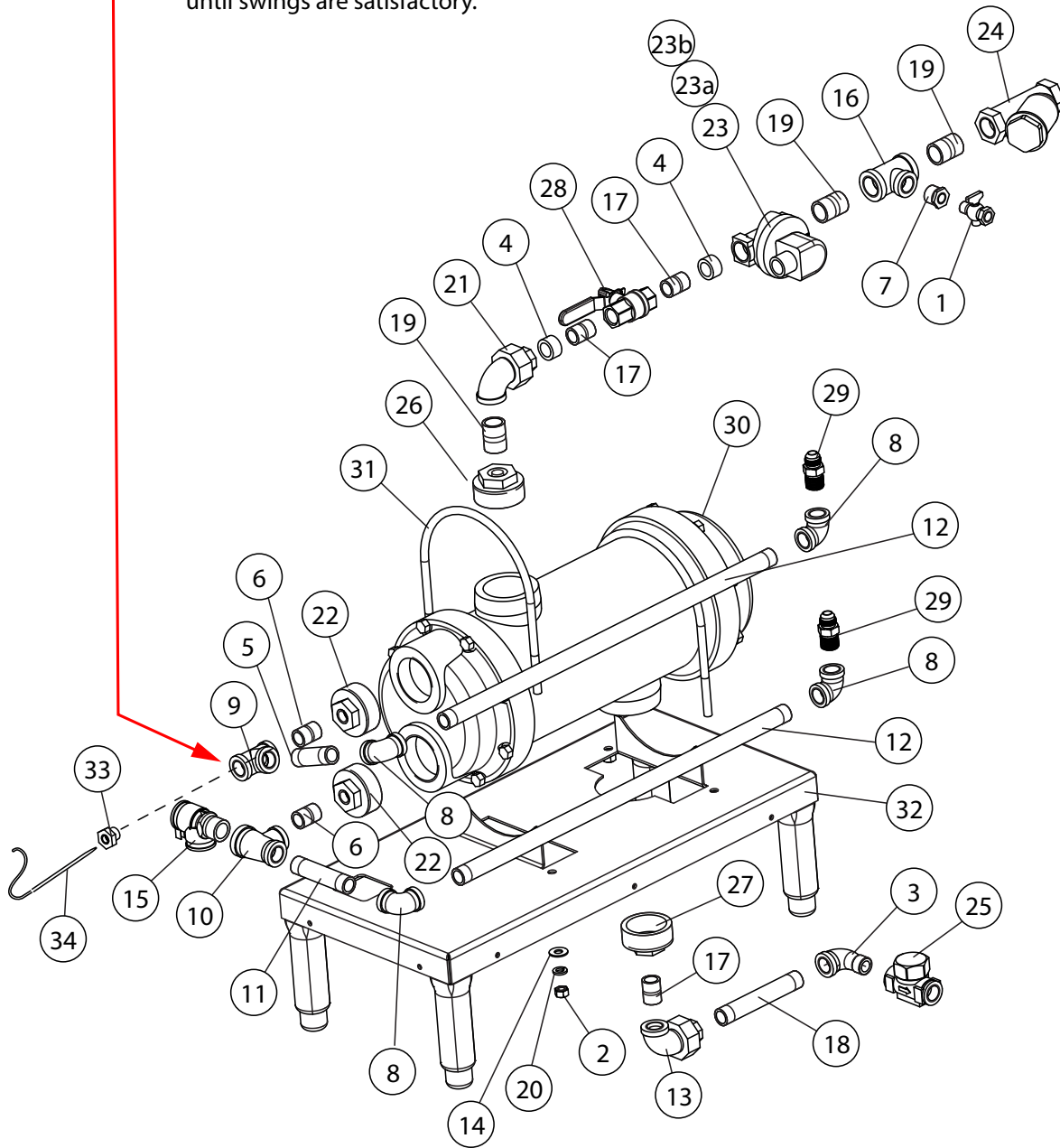
# External Steam Booster Cabinet (All S/N's)



Item No.	Part No.	Description	Qty.
1	100007	SCREW, TRUSS HEAD, 10-32 X 3/8" SST	4
2	100778	SCREW, TRUSS HEAD, 1/4-20 X 3/8" SST	14
3	106026	WASHER, FLAT, 1/4" SST	4
4	107967	GRIP NUT, 1/4-20, SST W/NYLON INSERT	4
5	115530	ADAPTER, THERMOMETER, DIGITAL	1
6	117002	THERMISTER, 10kW 48" LEAD, FLEXIBLE, ADJ. DEPTH.	1
7	339032	COVER, SST STATION, BLANK	1
8	339568	PANEL, WELD, LH, PRO EXTERNAL BOOSTER CABINET	1
9	339571	PANEL, RH PRO EXTERNAL BOOSTER CABINET	1
10	339582	PANEL, FRONT, EXTERNAL BOOSTER CABINET	1
11	339585	PIPING, SUPPORT, WATER, PRO EXT. BSTR, CABINET	2
12	602486	BOOSTER PIPING ASSY. EXT. 1200 STEAM BSTR., PRO	1

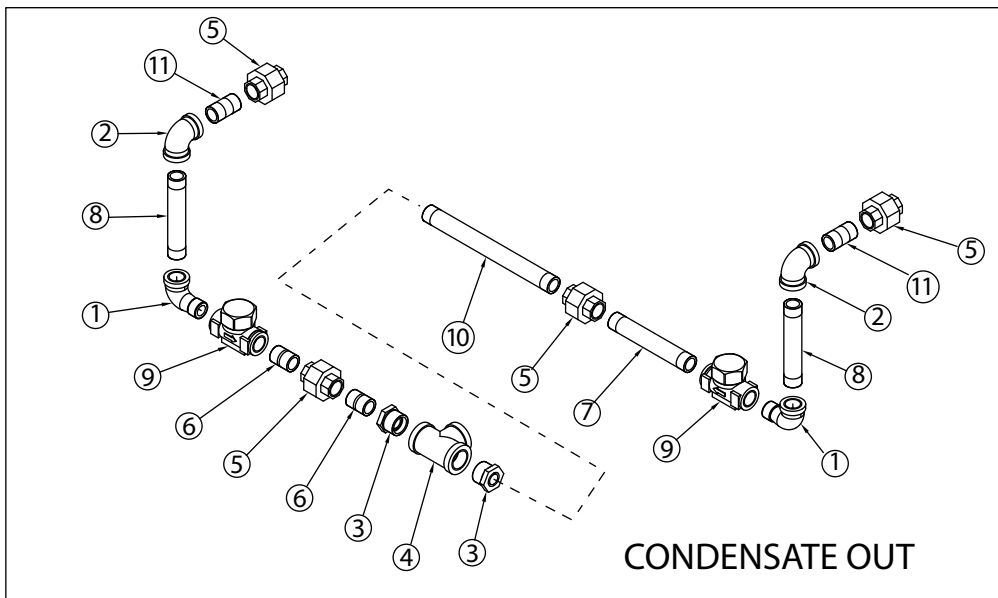
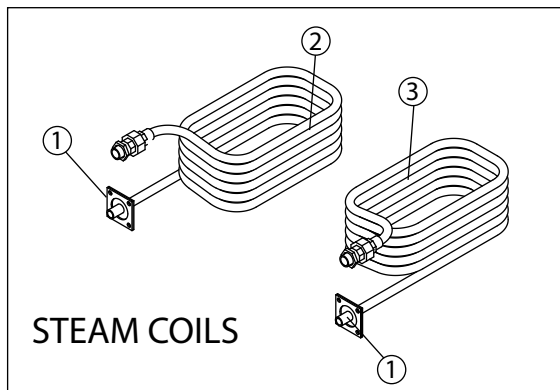
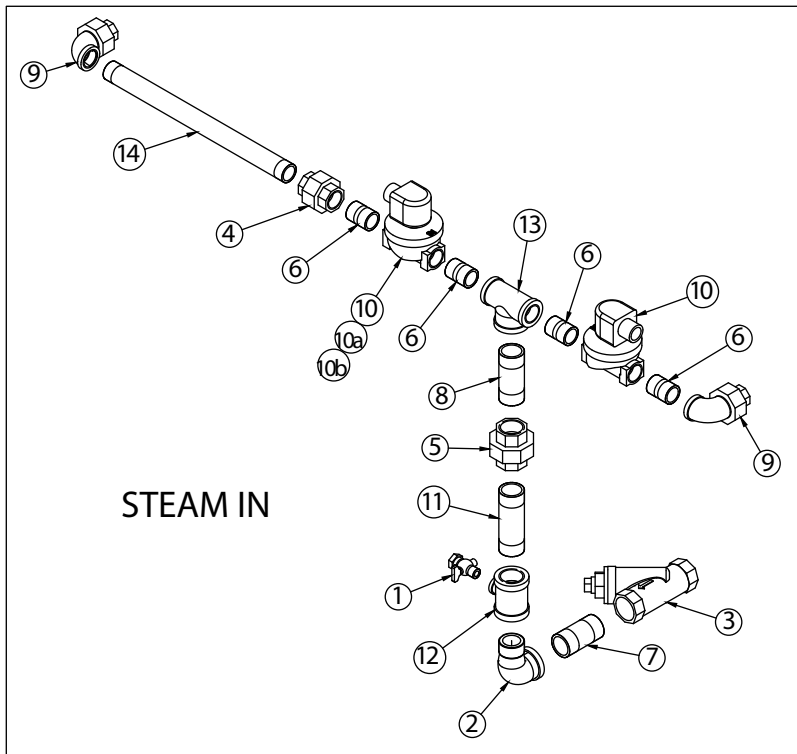
## ● Thermistor Capillary Installs Here

1. Install thermistor onto 1/2" x 1/8" reducing bushing (Bushing removed from booster).
2. Adjust probe end depth to 16" past the face of the thermistor ferrule fitting; tighten ferrule.
3. Use flashlight to view into booster through Tee fitting.
4. Slide thermistor lead into the center tube inside of the booster.  
(The tube is a small amount above the entry piping centerline.)  
\*\*Temp swings will be very large if installed in wrong tube.
5. Install thermistor/reducing bushing onto booster.
6. Run machine to verify there are no unacceptably large temp swings.  
- If large swings are occurring, decrease the ball valve opening to reduce steam input until swings are satisfactory.



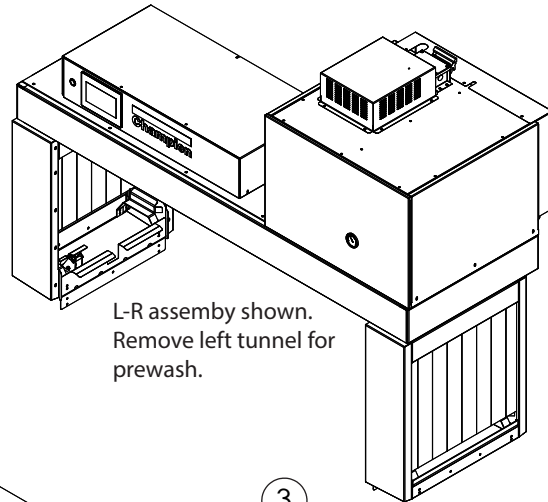
Item No.	Part No.	Description	Qty.
1	100123	PETCOCK. 1/4" NPT FEMALE, BRASS	1
2	100140	PLAIN NUT, 3/8-16 SST	4
3	100147	ELBOW, STREET, 1/2" NPT X 90°, MI	1
4	100171	BUSHING, REDUCING, FACE 3/4" X 1/2" BRASS	2
5	100206	NIPPLE, 1/2" NPT X 2-1/2" LG., BRASS	1
6	100209	NIPPLE, 1/2" NPT X CLOSE, BRASS	2
7	102402	BUSHING, REDUCING, 1/2" NPT X 1/4" NPT, BI	1
8	102435	ELBOW, 1/2" NPT X 90°, BRASS	4
9	102514	TEE, 1/2" NPT, BRASS	1
10	102524	TEE, RED. 3/4" X 1/2" X 1/2" NPT BRASS	1
11	102569	NIPPLE, 1/2" NPT X 3-1/2" LG., BRASS	1
12	102620	NIPPLE, 1/2" NPT X 21-1/2" NPT, BRASS	2
13	103433	UNION, ELBOW, 1/2" NPT, FEMALE, BI	1
14	104618	WASHER, FLAT 3/8"	4
15	104649	VALVE, PRESSURE RELIEF, 3/4" NPT BRONZE	1
16	105759	TEE, REDUCING, 3/4" NPT X 3/4" NPT X 1/2" MI	1
17	105782	NIPPLE, 1/2" NPT X CLOSE, BI	3
18	105793	NIPPLE, 1/2" NPT X 5" LG., BI	1
19	105803	NIPPLE, 3/4" NPT X CLOSE, BI	3
20	106407	WASHER, LOCK, 3/8" SPLIT, SST	4
21	106485	UNION, ELBOW, 3/4" NPT, FEMALE BI	1
22	106582	BUSHING, REDUCING, 2" NPT X 1/2" NPT, BRASS	2
23	109887	VALVE, SOLENOID, 3/4" NPT STEAM, 120VAC	1
23a	109903	KIT, REPAIR, 3/4" STEAM SOLENOID VALVE	A/R
23b	108516	COIL, SOLENOID, 3/4" 120VAC	A/R
24	110768	STRAINER, LINE 3/4" NPT BRASS	1
25	111380	TRAP, STEAM 1/2" NPT, TDC	1
26	112341	BUSHING, REDUCING, 2" NPT X 3/4" NPT, BI	1
27	112365	BUSHING, REDUCING, 2" NPT X 1/2" NPT, BI	1
28	114460	VALVE, BALL, 1/2" F NPT, BRASS, W/SETTING INDICATOR	1
29	115101	CONNECTOR, MALE, 1/2" NPT X 1/2" 37D FLARE JIC BRASS	2
30	115640	BOOSTER, THRUSH #1200	1
31	116676	U-BOLT, #1200 BOOSTER	2
32	339566	BASE, WELD, PRO EXTERNAL, 1200 BOOSTER	1
33	115530	ADAPTER, THERMOMETER	1
34	117002	THERMISTOR, 10kΩ, 48" LEAD, FLEXIBLE DEPTH (All S/N's)	1

# Steam Coils and Piping

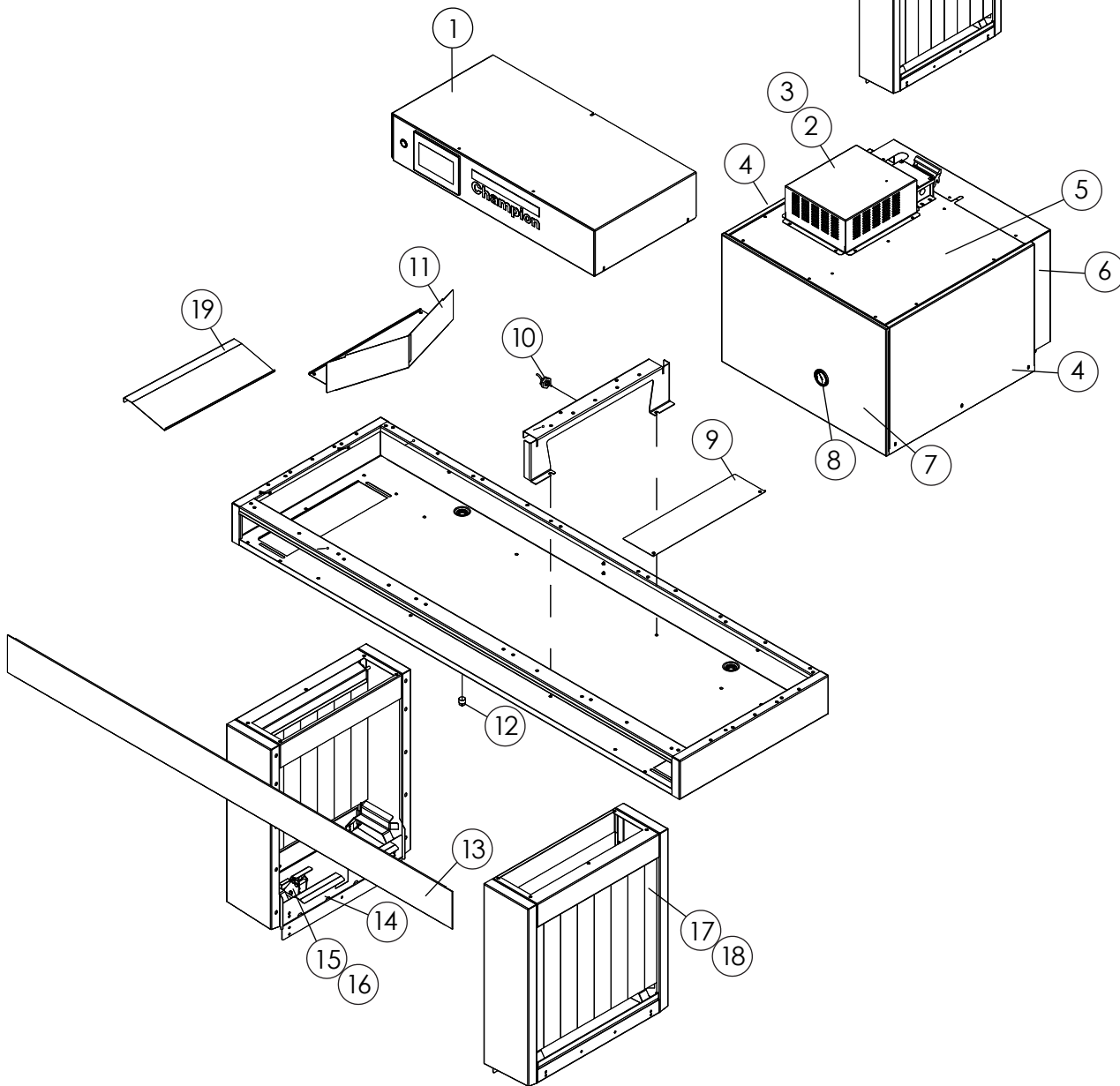


Item No.	Part No.	Description	Qty.
<u>STEAM IN</u>			
1	100123	PETCOCK, 1/4" NPT, FEMALE, BRASS	1
2	100134	ELBOW, STREET, 1" NPT X 90° MI	1
3	101248	LINE STRAINER, 1" NPT BRONZE	1
4	105779	UNION, 3/4" NPT, BI	1
5	105780	UNION, 1" NPT, BI	1
6	105803	NIPPLE, 3/4" NPT X CLOSE, BRASS	4
7	105851	NIPPLE, 1" NPT X 2-1/2" LG., BI	1
8	105853	NIPPLE, 1" NPT X 3" LG., BI	1
9	106485	UNION, ELBOW, 3/4" NPT FEMALE BI	2
10	109887	VALVE, SOLENOID, 3/4" NPT STEAM	1
10a	109903	KIT, REPAIR 3/4" STEAM VALVE	A/R
10b	108516	COIL, SOLENOID VALVE, 120VAC	A/R
11	109969	NIPPLE, 1" NPT X 3-3/4" LG., BI	1
12	112358	TEE, REDUCING, 1" X 1" X 1/4" NPT, BI	1
13	112359	TEE, RED. 3/4" X 3/4" X 1" NPT BI	1
14	113003	NIPPLE, 3/4" NPT X 13" LG., BI	1
<u>STEAM COILS</u>			
1	108345	GASKET	2
2	327907	COIL, STEAM LH	1
3	327908	COIL, STEAM RH	1
<u>CONDENSATE OUT</u>			
1	100147	ELBOW, STREET 1/2" NPT X 90° MI	2
2	102288	ELBOW, 1/2" NPT X 90° MI	2
3	103465	BUSHING, REDUCING, 3/4" NPT X 1/2" NPT BI	2
4	105752	TEE, 3/4" NPT, MI	1
5	105778	UNION, 1/2"NPT, MI	4
6	105782	NIPPLE, 1/2" NPT X CLOSE BI	2
7	105793	NIPPLE, 1/2" NPT X 5" LG., BI	1
8	107487	NIPPLE, 1/2" NPT X 4-1/2" LG., BI	2
9	111380	STEAM TRAP, 1/2" NPT TDC	2
10	111489	NIPPLE, 1/2" NPT X 8-1/4" LG., BI	1
11	113643	NIPPLE, 1/2" NPT X 1-1/2" LG., BI	2

# VHR Assembly (All 64PRO-VHR's)

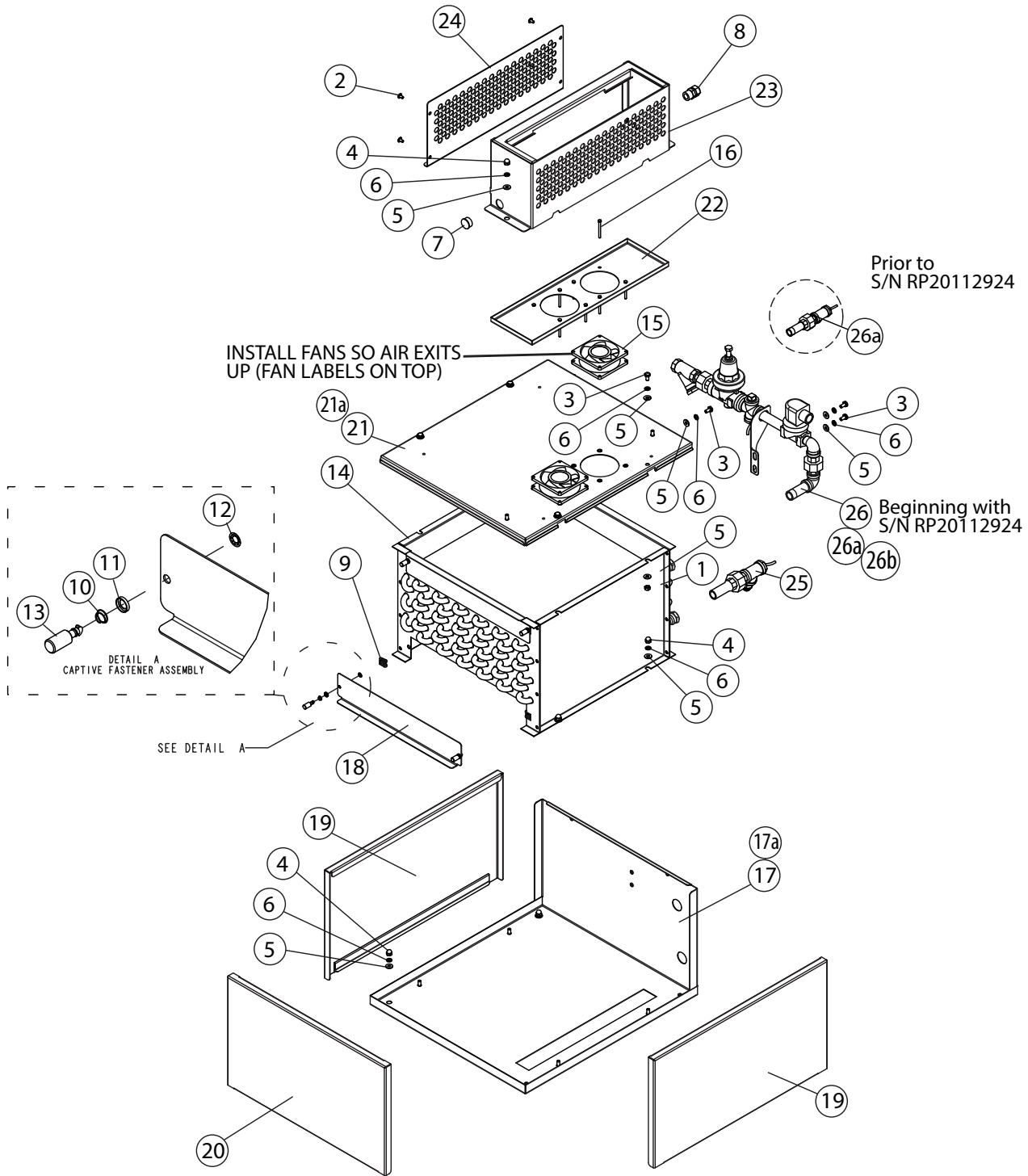


L-R assembly shown.  
Remove left tunnel for  
prewash.

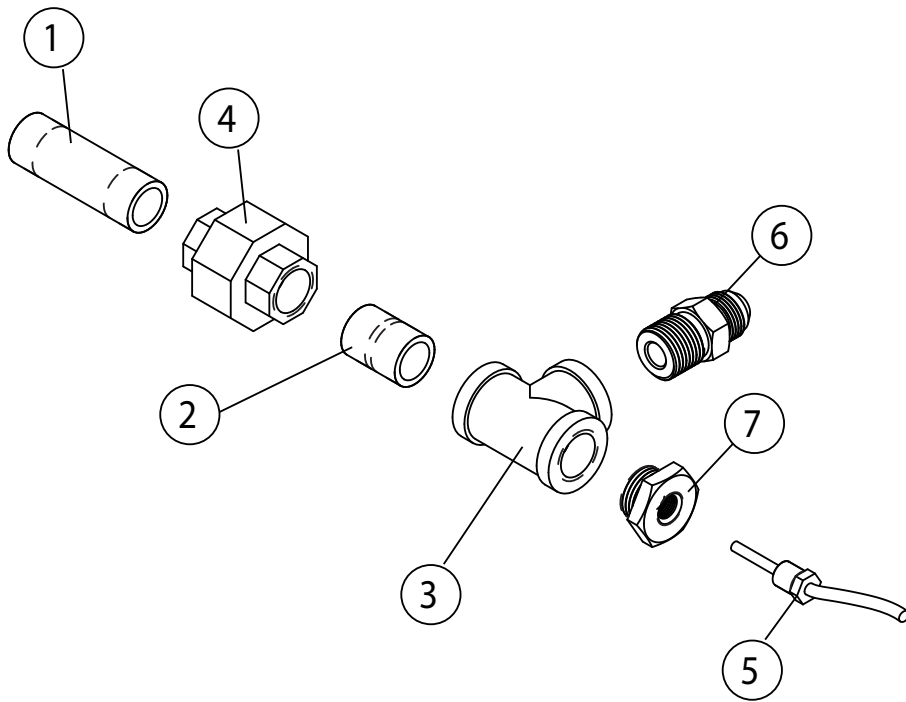


Item No.	Part No.	Description	Qty.
1	339380	COVER, CONTROL CABINET	1
2	116547	FAN, CENTRIFUGAL, 115/60/1	1
3	337395	COVER, FAN	1
4	337964	PANEL, SIDE	2
5	337965	PANEL, TOP	1
6	337966	PANEL, REAR	1
7	337963	PANEL, FRONT	1
8	109812	GAUGE, PRESSURE	1
9	337650	PLATE, AIR FLOW ADJUSTING	1
10	114435	THERMISTOR, 10k $\Omega$ , 36" LEAD	1
11	339982	PLATE, AIR FLOW ADJUSTING, LOAD END	1
12	102504	PLUG, 1/2" NPT, BRASS, SQ. HEAD	1
13	339979	PANEL, CAVITY ACCESS 64VHR	1
14	337648	BAFFLE, LOWER TABLE FLANGE	1
15	113719	SWITCH, REED	1
16	113937	MAGNET	1
17	108250	ROD, CURTAIN 5/16" X 24-5/8" SST	2
18	113720	CURTAIN, 24" X 20-1/4", STD. HOOD	2
19	339981	DIVERTER, CONDENSATE (On R-L VHR Only)	1

# Heat Recovery Unit Coil



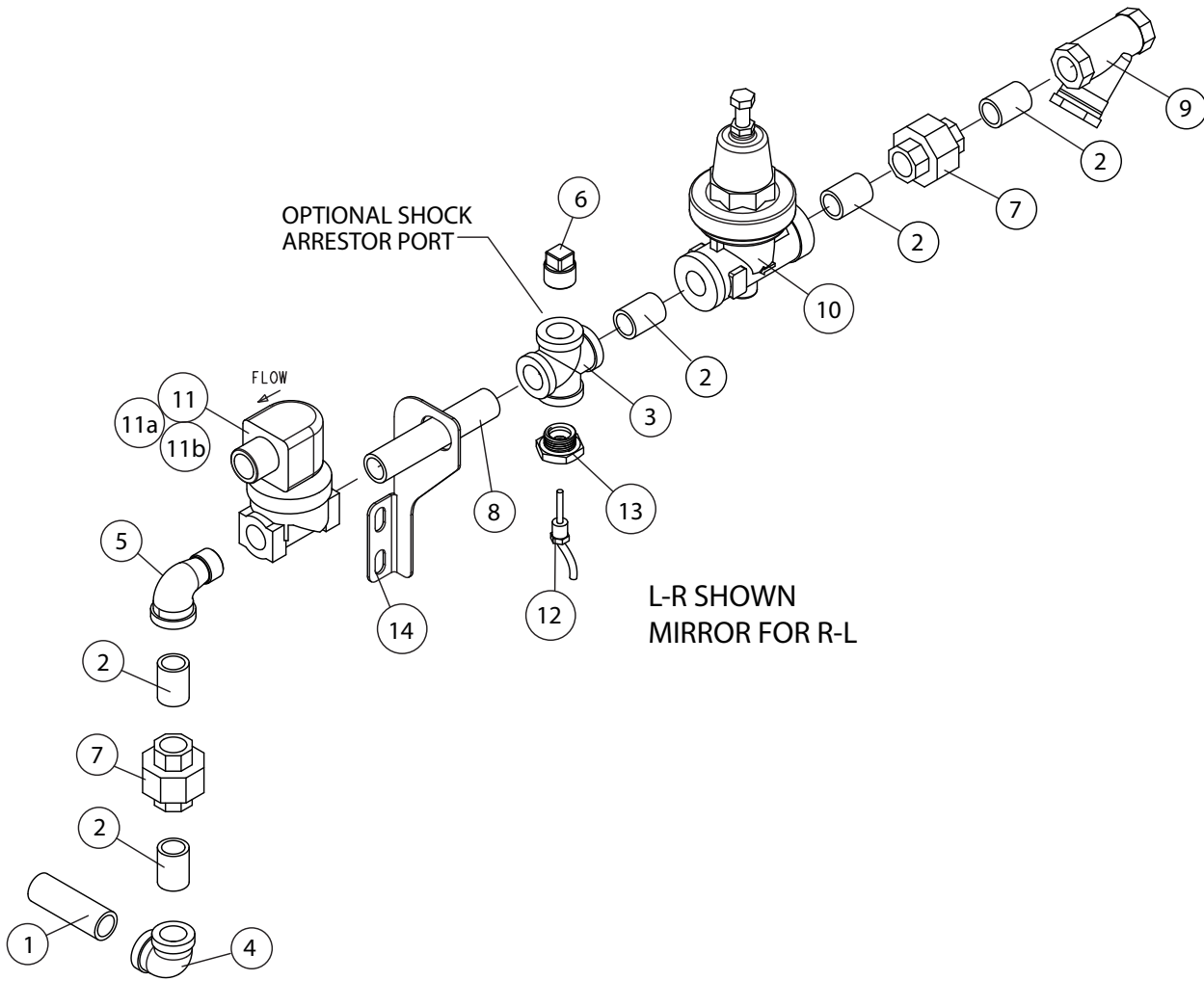
Item No.	Part No.	Description	Qty.
1	100003	NUT PLAIN, 1/4-20 SST	4
2	100007	SCREW, TRUSS HEAD, 10-32 X 3/8" SST	4
3	100734	BOLT, HEX HEAD, 1/4-20 X 1/2" SST	6
4	106014	NUT, ACORN, 1/4-20 SST	8
5	106026	WASHER, FLAT, 1/4" SST	18
6	106482	WASHER, LOCK, 1/4" SPLIT SST	14
7	112519	PLUG, SNAP, D-FLAT	1
8	114365	CORD GRIP, LIQUID TITE, W/LOCKNUT 1/2" NPT	1
9	114646	RECEPTACLE, 1/4 TURN, #82	4
10	114647	SPRING, 1/4 TURN, SST #82	4
11	114648	WASHER, WEAR, CUPPED, #82	4
12	114649	RING, RETAINER, SST, #82	4
13	114650	STUD, 1/4 TURN, KNURLED, SST, #82 SOUTHCO	4
14	116911	COIL, ASSEMBLY, PRO RACK, HRU	1
15	116953	FAN. NMB. 24VDC, 105.9 CFM	2
16	116954	BOLT, HEX HEAD, 8-32 X 1-3/4" SST	8
17	339109	COIL, BASE WELD, PRO HRU, LR	1
17a	339110	COIL, BASE WELD., PRO HRU, RL	1
18	339111	CLEANING, ACCESS, COVER, DEVP., PRO HRU	2
19	339114	SIDE COVER, WELD, PRO HRU	2
20	339116	FRONT COVER, WELD., PRO HRU, LR	1
21	339270	TOP COVER, WELD., PRO HRU LR	1
21a	339271	TOP COVER WELD., PRO HRU RL	
22	339282	VENT STACK, DRAIN PAN DEVP., PRO HRU	1
23	339288	VENT STACK, WELD., PRO HRU	1
24	339291	FAN, ACCESS PANEL, PRO HRU	1
25	602436	PIPING ASSEMBLY, HRU CONNECT, PRO HRU	1
26	602539-LR	PIPING ASSEMBLY, PRO-HRU COLD WATER FEED, LR (Beginning with S/N RP20112924)	1
26a	602436	PIPING ASSEMBLY, HRU CONNECT, PRO-HRU (Prior to S/N RP20112924)	1
26b	602539-RL	PIPING ASSEMBLY, PRO-HRU, COLD WATER FEED, RL (Beginning with S/N RP20112924)	1



## 64 PRO HRU Connect Piping Assembly (Prior to S/N RP20112924)

<b>Item No.</b>	<b>Part No.</b>	<b>Description</b>	<b>Qty.</b>
1	100206	NIPPLE, 1/2" NPT X 2-1/2" LG. BRASS	1
2	100209	NIPPLE, 1/2" NPT, X CLOSE, BRASS	1
3	102514	TEE, 1/2" NPT, BRASS	1
4	102549	UNION, 1/2" NPT, BRASS	1
5	114435	THERMISTOR, 10k $\Omega$ , 36" LEAD	1
6	115101	COUPLING, MALE, 1/2" NPT X 1/2" 37D, FLARE JIC, BR	1
7	115530	ADAPTER, THERMOMETER, DIGITAL	1

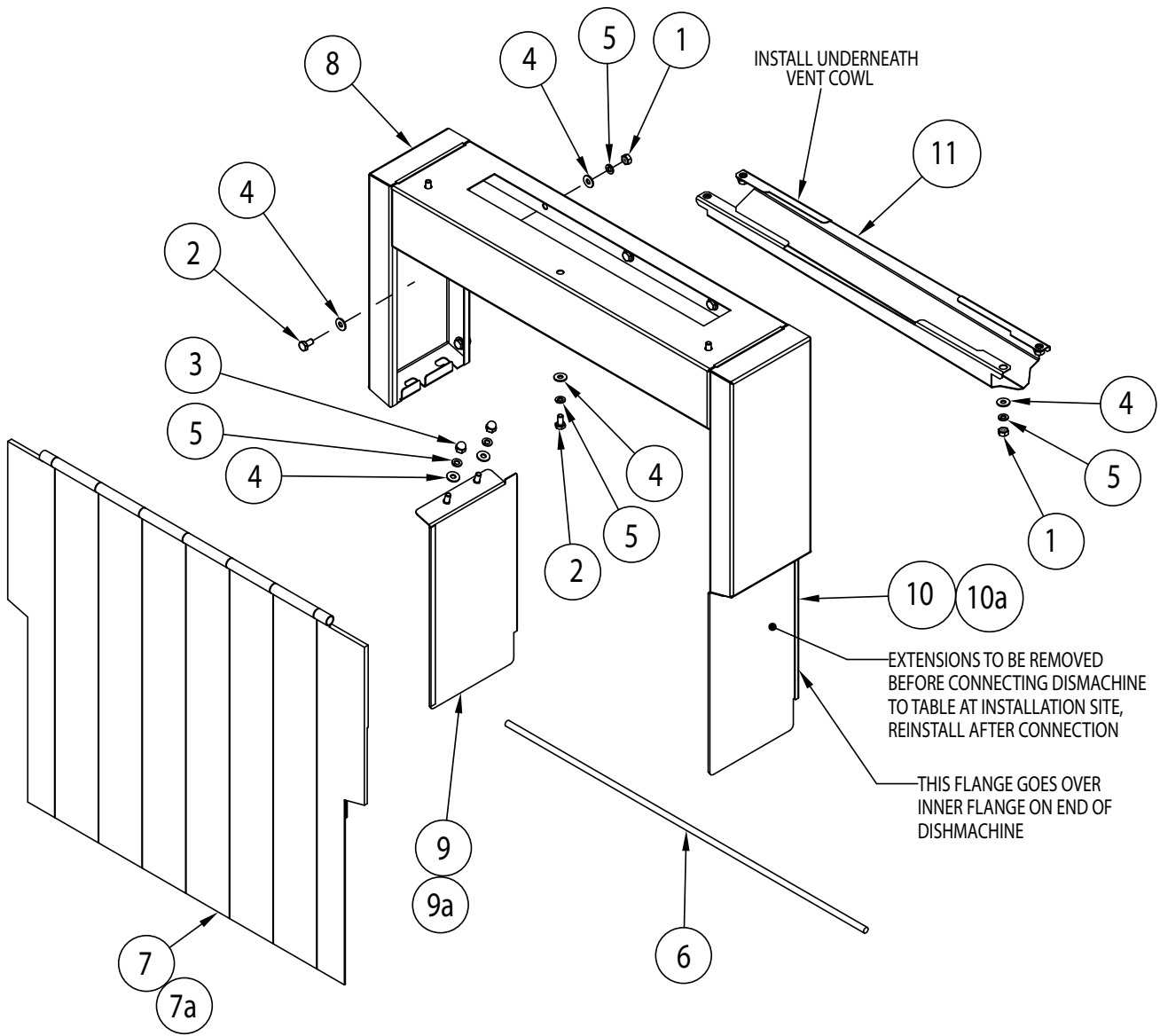
Heat Recovery Connect Fill Piping Assembly (Beginning with S/N RP20112924)



## Heat Recovery Unit Connect Fill Piping Assembly (Beginning with S/N RP20112924)

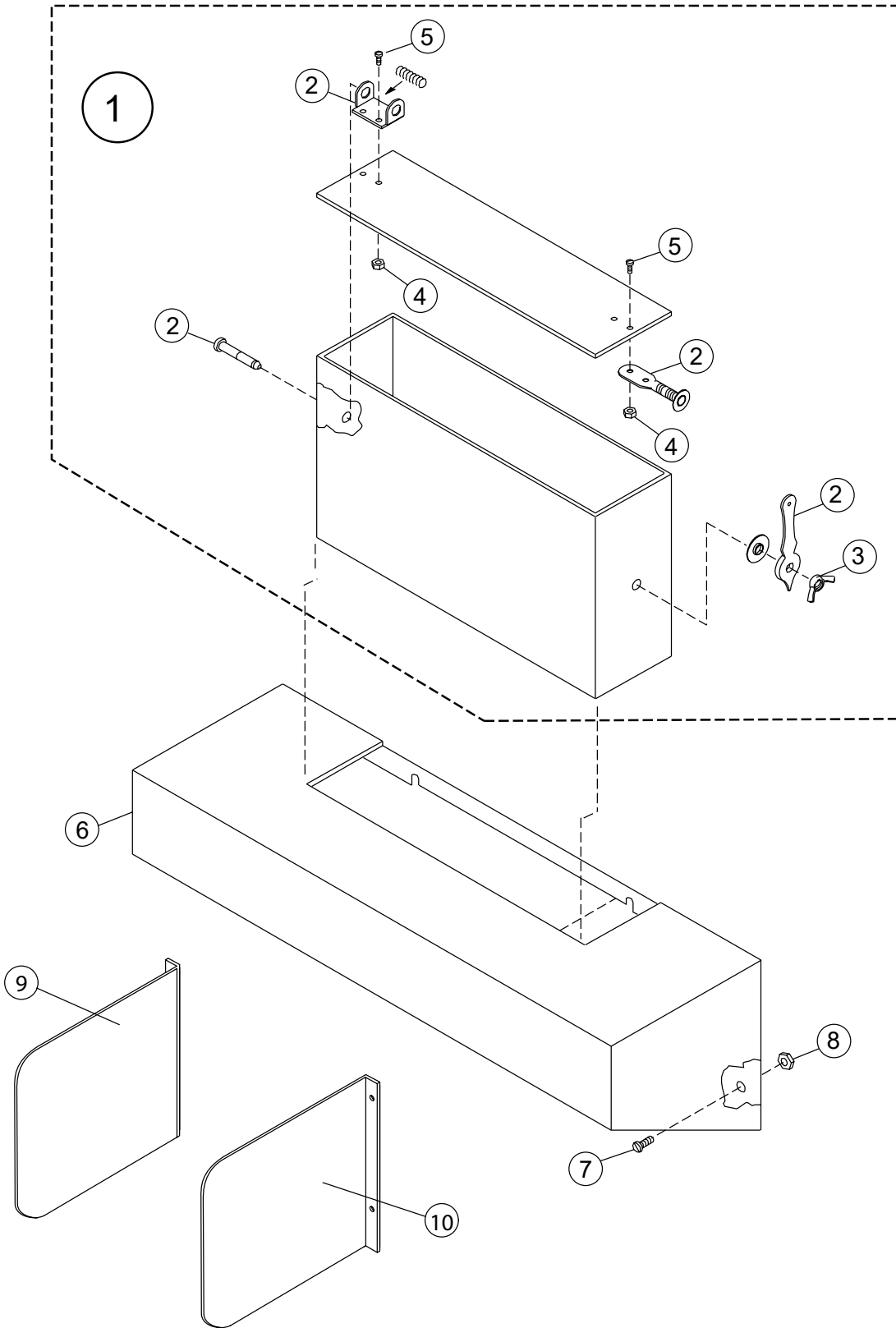
Item No.	Part No.	Description	Qty.
1	100206	NIPPLE, 1/2" NPT X 2-1/2" LG., BRASS	1
2	100209	NIPPLE, 1/2" NPT, X CLOS, BRASS	5
3	100598	CROSS, 1/2" NPT, BRASS	1
4	102435	ELBOW, 1/2" NPT X 90°, BRASS	1
5	102438	ELBOW STREET, 1/2" NPT X 90°, BRASS	1
6	102504	PLUG, 1/2" NPT, SQUARE HEAD, BRASS	1
7	102549	UNION, 1/2" NPT, BRASS	2
8	102571	NIPPLE, 1/2" NPT X 4-1/4" LG., BRASS	1
9	104421	STRAINER, LINE, 1/2" NPT, BRONZE	1
10	108265	VALVE, PRESSURE REGULATING, 1/2" NPT, BRONZE	1
11	109886	VALVE, SOLENOID, 1/2" NPT HW PARKER	1
11a	109902	KIT, REPAIR VALVE, 1/2"	A/R
11b	108516	COIL, SOLENOID 120V	A/R
12	114435	THERMISTOR, 10kΩ, 36" LEAD	1
13	115530	ADAPTER, THERMOMETER, DIGITAL	1
14	339995	PRO HRU, FEED PIPING SUPPORT	1

# Heat Recovery Unit Vent Cowl



Item No.	Part No.	Description	Qty.
1	100003	HEX PLAIN NUT, 1/4-20 SST	13
2	100734	BOLT, HEX HEAD, 1/4-20 X 1/2" SST	12
3	106014	HEX ACORN PLAIN NUT, 1/4-20 SST	4
4	106026	WASHER, FLAT, 1/4" SST	29
5	106482	WASHER, LOCK, 1/4" SPLIT SST	20
6	108250	ROD, CURTAIN, 5/16 X 24-5/8", 304 SST	1
7	116964	CURTAIN, PRO HRU, VENT COWL, STD HT.	1
7a	117004	CURTAIN, PRO HRU, VENT COWL, HIGH HOOD	1
8	339106	VENT COWL, WELD., PRO HRU	1
9	340720-1	VENT COWL, EXT. WELD., STD. HT. PRO HRU - FAS	1
9a	340721-1	VENT COWL, EXT. WELD, HIGH HOOD, PRO HRU-FAS	1
10	340720-2	VENT COWL, EXT. WELD., STD. HT. PRO HRU - FOP	1
10a	340721-2	VENT COWL, EXT. WELD, HIGH HOOD, PRO HRU-FOP	1
11	339281	CONDENSATE, DRAIN PAN DEVP., PRO HRU	1

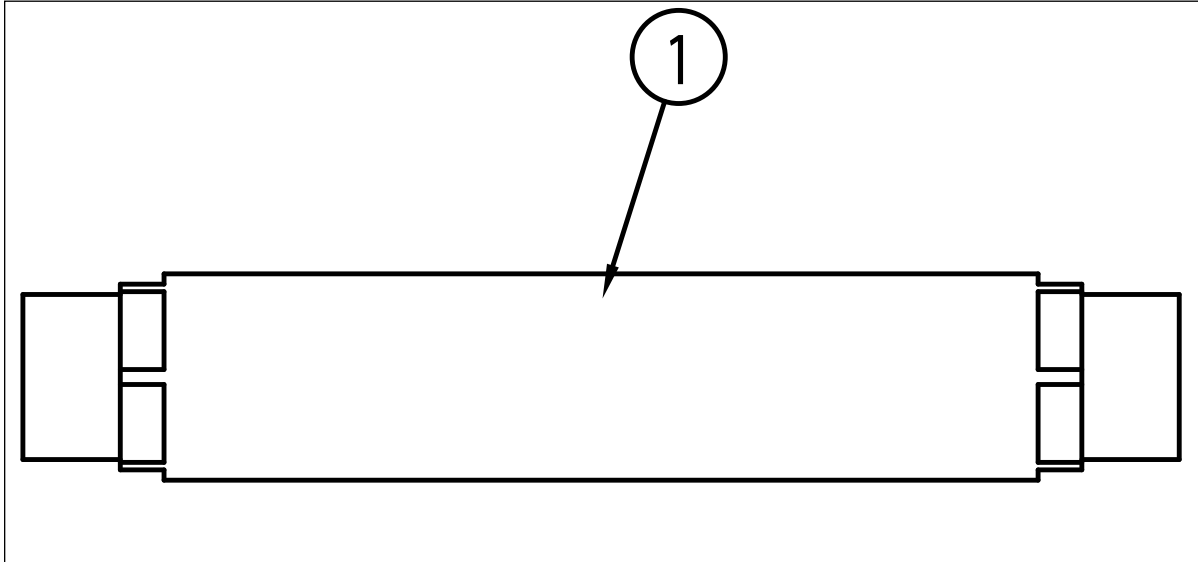
# Standard Vent Cowl and Splash Shields



Item No.	Part No.	Description	Qty.
1	401487-S	VENT STACK ASSEMBLY, 4" X 16" (includes items 2-6)	2
2	201589	DAMPER, REGULATOR, ASSEMBLY	2
3	112258	NUT, WING 1/4-20 SST	2
4	108954	NUT GRIP, 6-32 w/nylon insert	8
5	104883	SCREW 6-32 X 3/8" ROUND HEAD	8
6	337597	VENT COWL, DEVP., SHORT, PRO RACK	2
7	100734	BOLT, 1/4-20 x 1/2" HEX HEAD	4
8	100141	NUT GRIP, 1/4-20 SST	8
9	328995-1	SHIELD, SPLASH LH	1
10	328995-2	SHIELD, SPLASH RH	1

Ion Water Conditioner/Drain Water Tempering Kit

ION WATER CONDITIONER, 1/2"



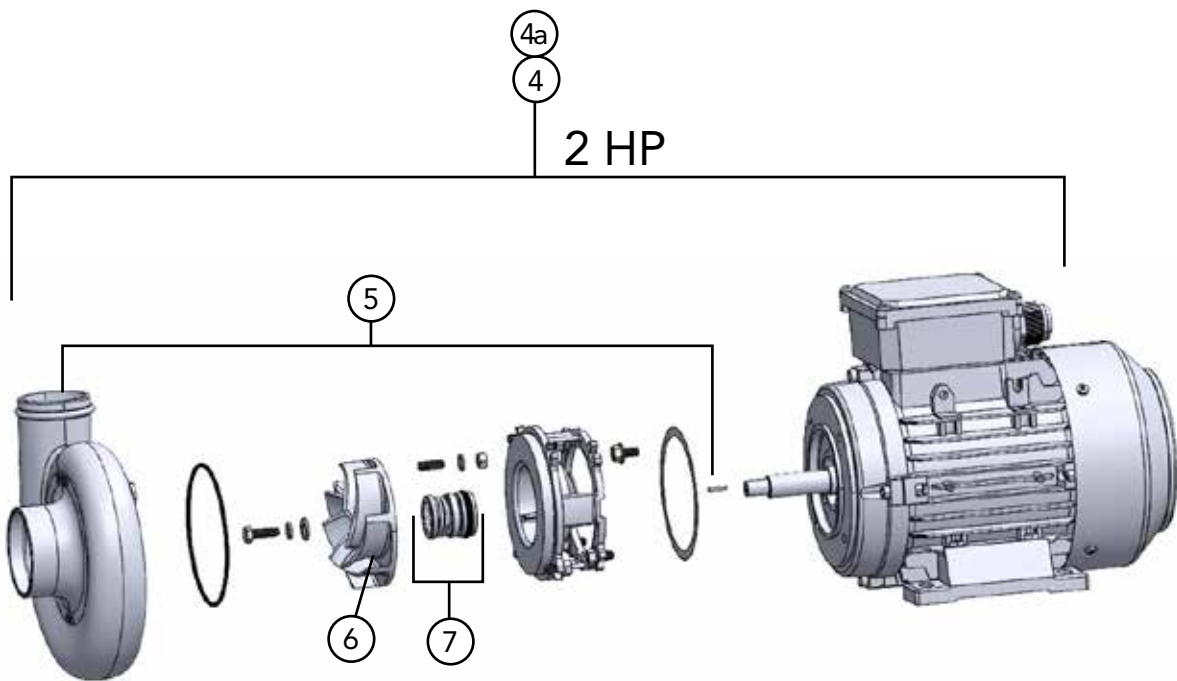
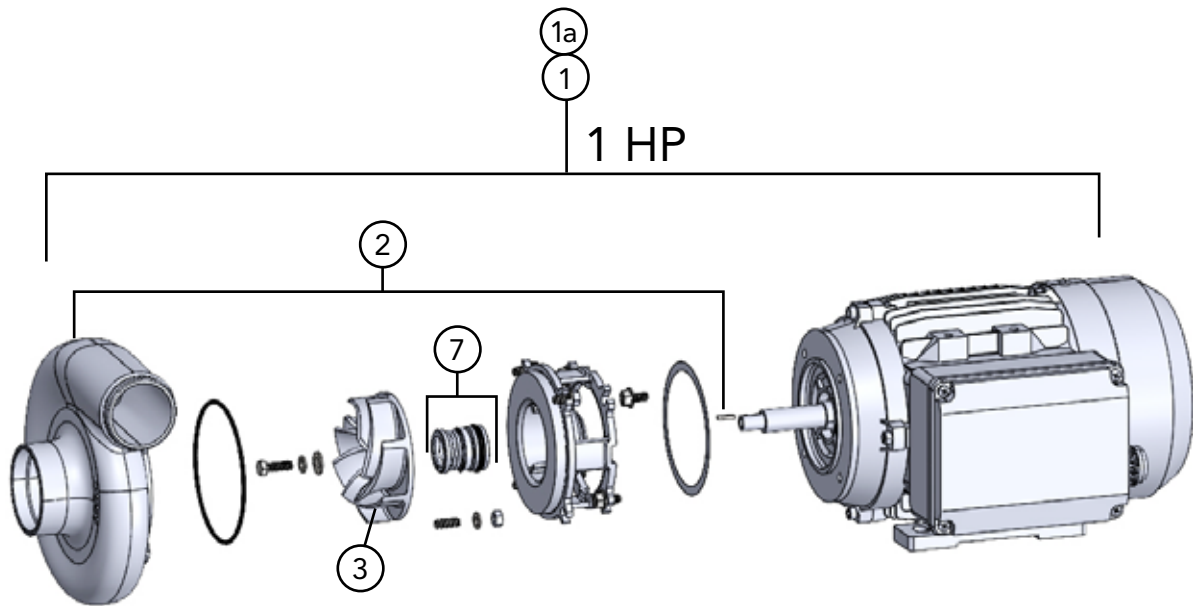
DRAIN WATER TEMPERING KIT

**NOTE: THE KIT IS SHIPPED UNMOUNTED FOR FIELD INSTALLATION.**



<b>Item No.</b>	<b>Part No.</b>	<b>Description</b>	<b>Qty.</b>
1	901246	WATER CONDITIONER, UNMOUNTED	1
2	<a href="#">116751</a>	KIT, DRAIN WATER TEMPERING (SHIPPED UNMOUNTED)	1

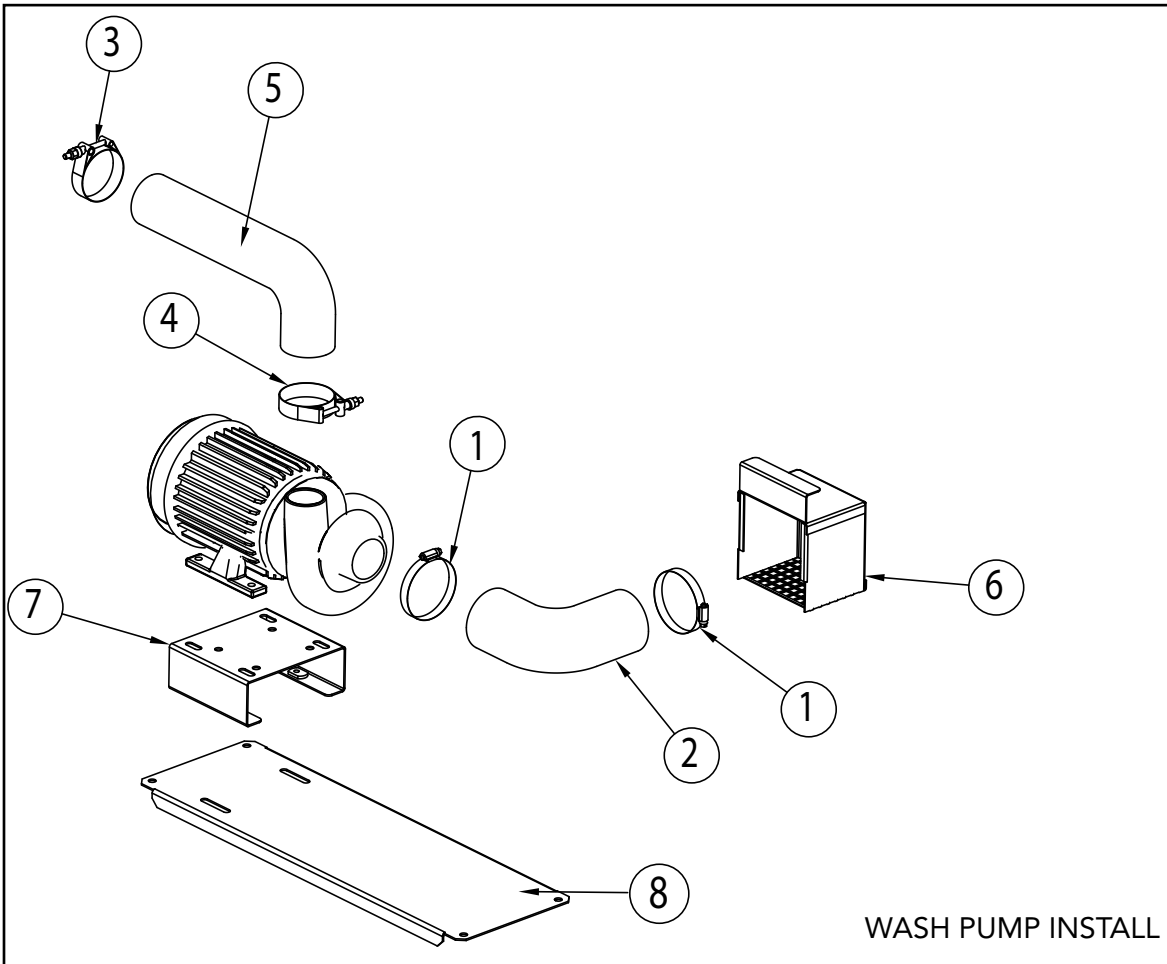
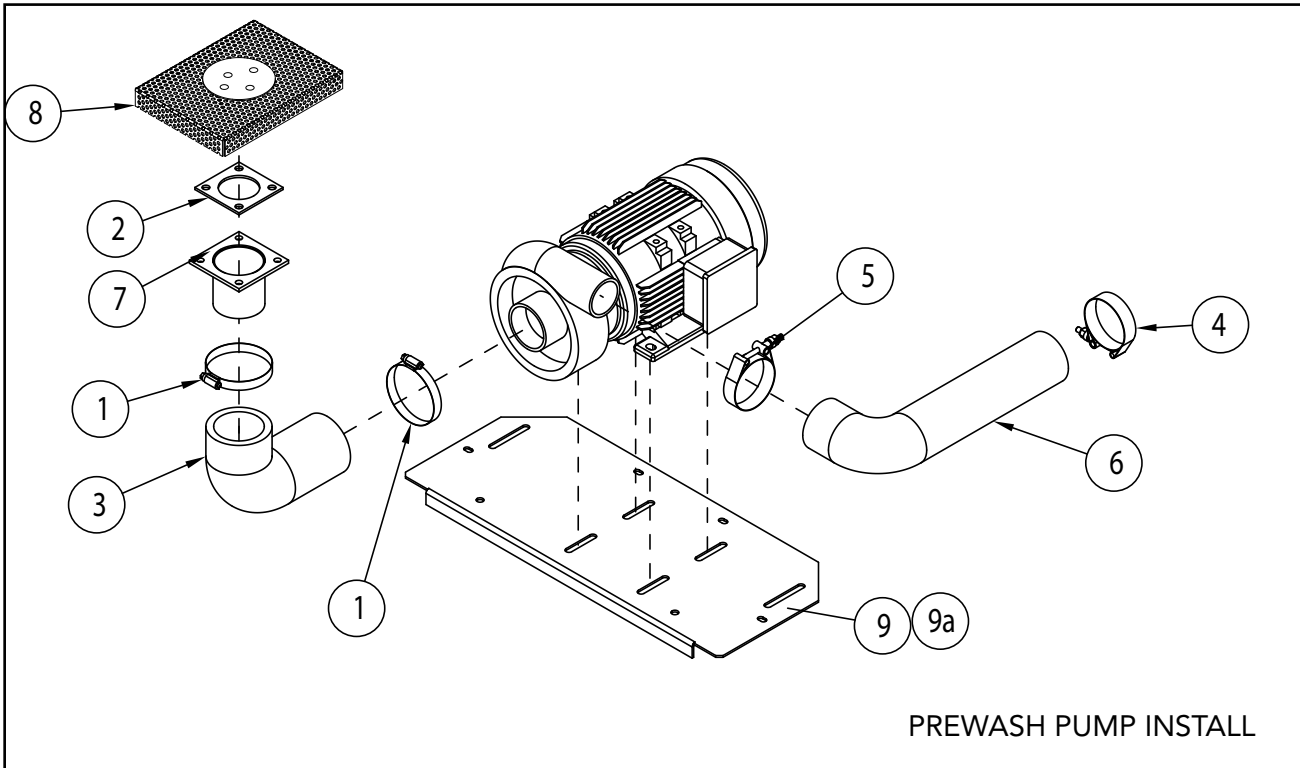
Three Phase Wash/Prewash Pump and Motor



Three Phase Wash/Prewash Pump and Motor

Item No.	Part No.	Description	Qty.
1	<a href="#">117150</a>	PUMP/MOTOR 1HP, MV/3	1
1a	117151	PUMP/MOTOR 1HP, 575/3	1
4	<a href="#">117152</a>	PUMP/MOTOR 2hp, mv/3	1
4a	<a href="#">117153</a>	PUMP/MOTOR 2HP, 575/3	1
3	117290	IMPELLER, 1HP	1
6	117291	IMPELLER, 2HP	1
2	117292	PUMP KIT, 1HP (EXCLUDES MOTOR)	1
5	<a href="#">117293</a>	PUMP KIT, 2HP (EXCLUDES MOTOR)	1
7	<a href="#">117164</a>	SEAL KIT, (FOR 1HP AND 2HP PUMPS)	A/R

Pump Installations

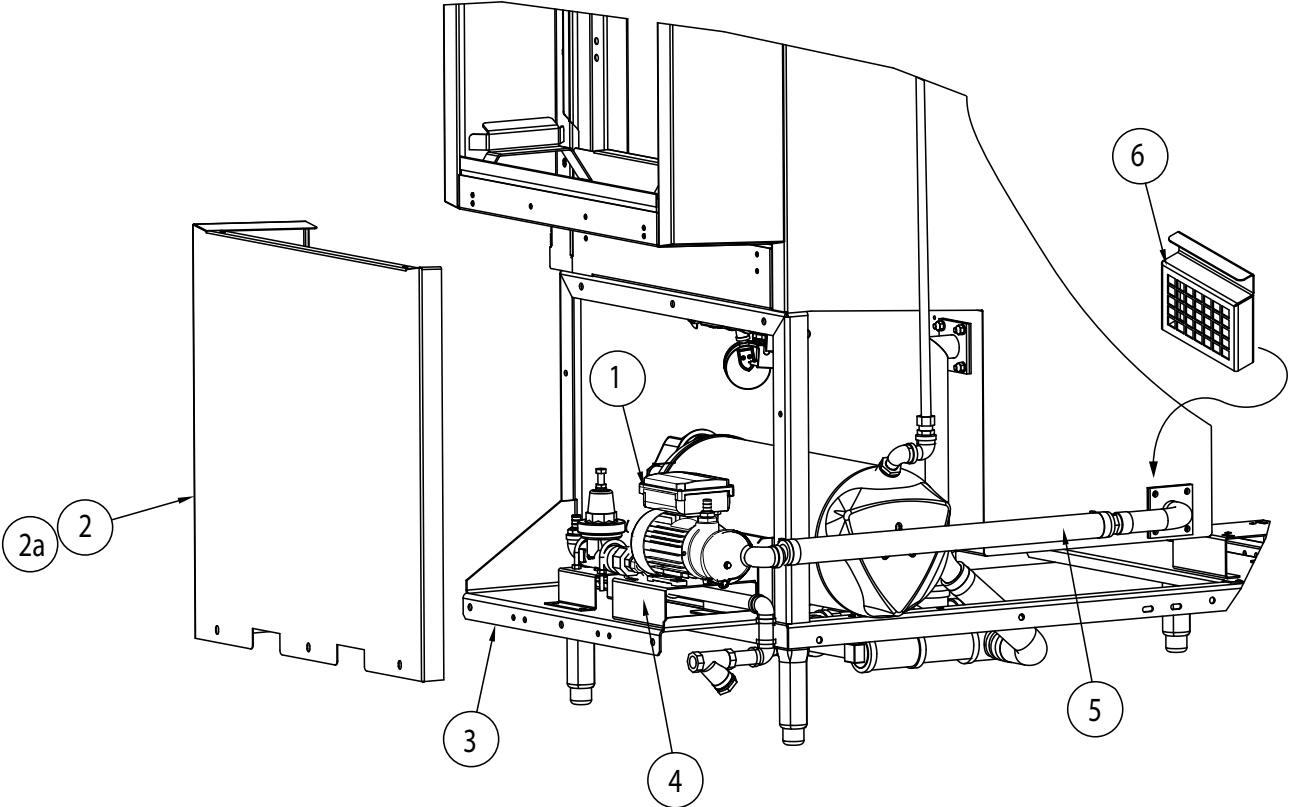


Item No.	Part No.	Description	Qty.
PREWASH INSTALL			
1	104203	CLAMP, HOSE M52 GEAR-TYPE SST	2
2	108345	GASKET	1
3	110372	HOSE, PUMP SUCTION	1
4	110858	HOSE CLAMP, HIGH PRESSURE, T-BOLT	1
5	111964	HOSE CLAMP, HIGH PRESSURE, T-BOLT	1
6	113731	HOSE, PUMP DISCHARGE	1
7	307995	FLANGE, SUCTION	1
8	341145	SCREEN, SUCTION	1
9	337209	PLATE, PUMP MOTOR, SUPPORT 22PRO	1
9A	339761	PLATE, PUMP MOTOR, SUPPORT 36PRO	1

## WASH INSTALL

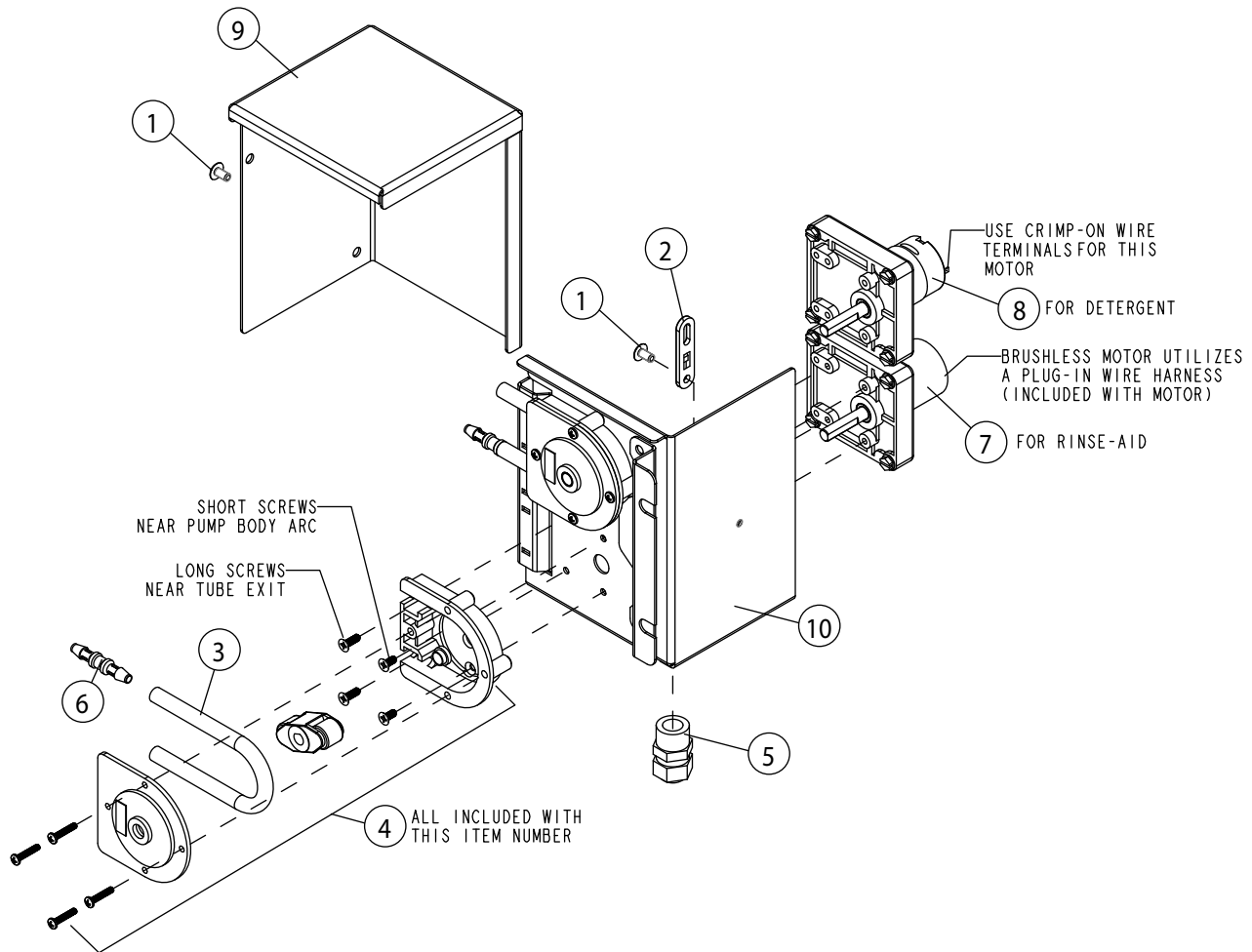
1	104203	CLAMP, HOSE M52 GEAR-TYPE SST	2
2	110372	HOSE, PUMP SUCTION	1
3	110858	HOSE CLAMP, HIGH PRESSURE, T-BOLT	1
4	111964	HOSE CLAMP, HIGH PRESSURE, T-BOLT	1
5	113731	HOSE, PUMP DISCHARGE	1
6	319742	HOOD, PUMP SUCTION	1
7	337060	BRACKET, PUMP MOTOR SUPPORT	1
8	337068	PLATE, PUMP MOTOR SUPPORT	1

VHR Recirculation Pump Installation

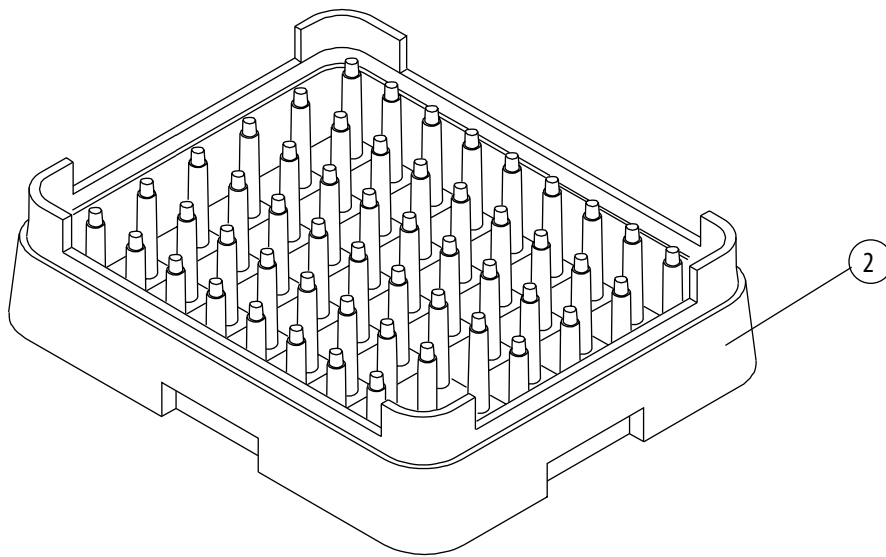
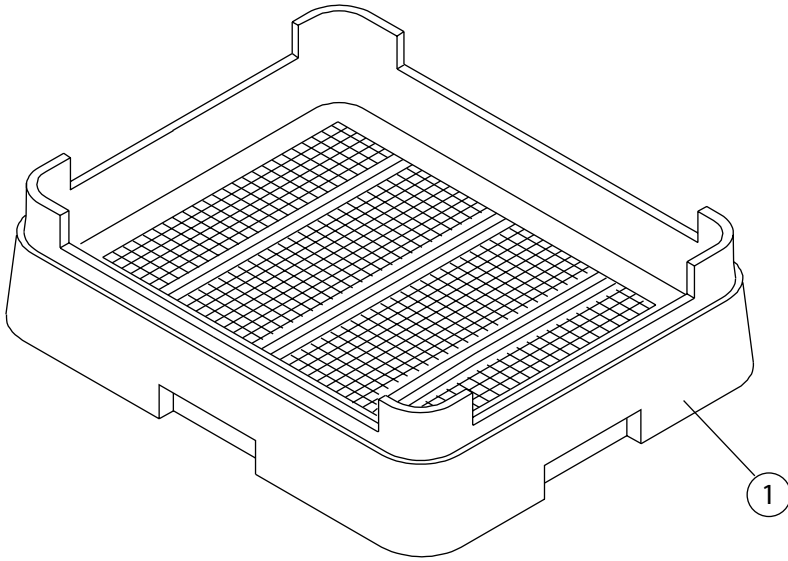


<b>Item No.</b>	<b>Part No.</b>	<b>Description</b>	<b>Qty.</b>
1	117253	VHR RECIRC PUMP/MOTOR ASSY., 1/6HP, 115V/60/1	1
2	337332	PANEL RECIRC, PUMP COVER LR, FAS	1
2a	337332-2	PANEL, RECIRC PUMP COVER, RL FOP	1
3	337331	BASE, RECIRC PUMP	1
4	337060	BRACKET, PUMP SUPPORT	1
5	207823	HOSE SUCTION, VHR 1" ID x 9-3/4" LG., RED	1
6	337674	STRAINER, RECIRC PUMP SUCTION	1

# Chemical Pump Assembly

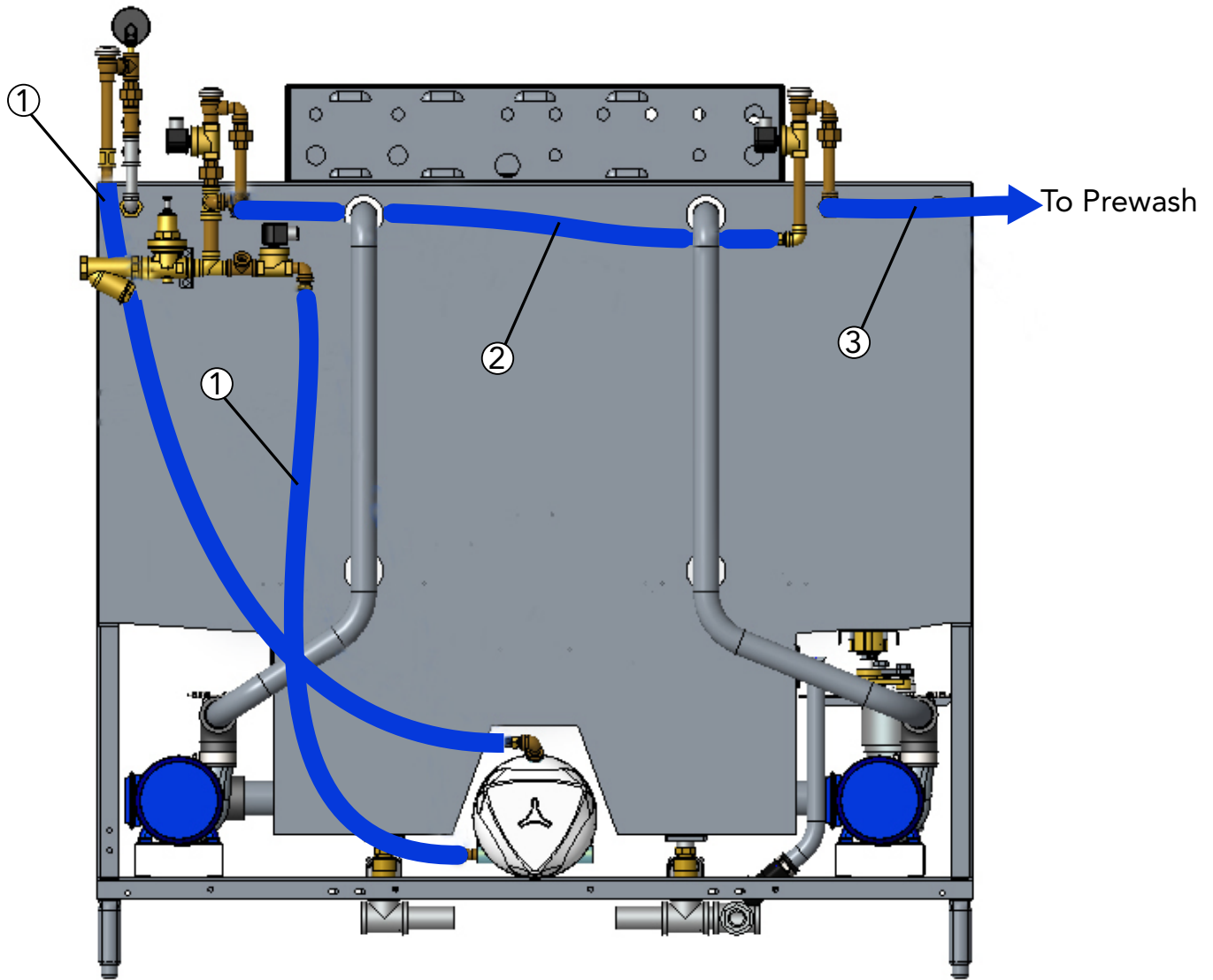


Item No.	Part No.	Description	Qty.
1	100007	SCREW, TRUSS HEAD, 10-32 X 3/8" SST	3
2	106090	PLATE, TIE, TP-2	1
3	114202	TUBE, SANTOPRENE, TPE6ON, 3/16" X 3/8" X 9" LG.	2
4	114203	HEAD, PUMP, PERISTALTIC KIT WITH ROLLERS	2
5	114365	CORD, GRIP LIQUID TITE, W/LOCKNUT, 1/2" NPT	1
6	116979	BARB, HOSE, 1/4" TO 1/4" POLYETHYLENE	2
7	117112	GEARMOTOR, PERISTALTIC PUMP, 16RPM, 24VDC	1
8	117241	GEARMOTOR, PERISTALTIC PUMP, 53RPM, 24VDC	1
9	339646	COVER, CHEMICAL PUMP, PRO	1
10	339647	BOX, CHEMICAL PUMP, PRO	1



<b>Item No.</b>	<b>Part No.</b>	<b>Description</b>	<b>Qty.</b>
1	101273	DISH RACK, FLAT-BOTTOM	A/R
2	101285	DISH RACK, PEG	A/R
-	117268	RACK, SHEET PAN, OPEN END (Not Shown)	A/R

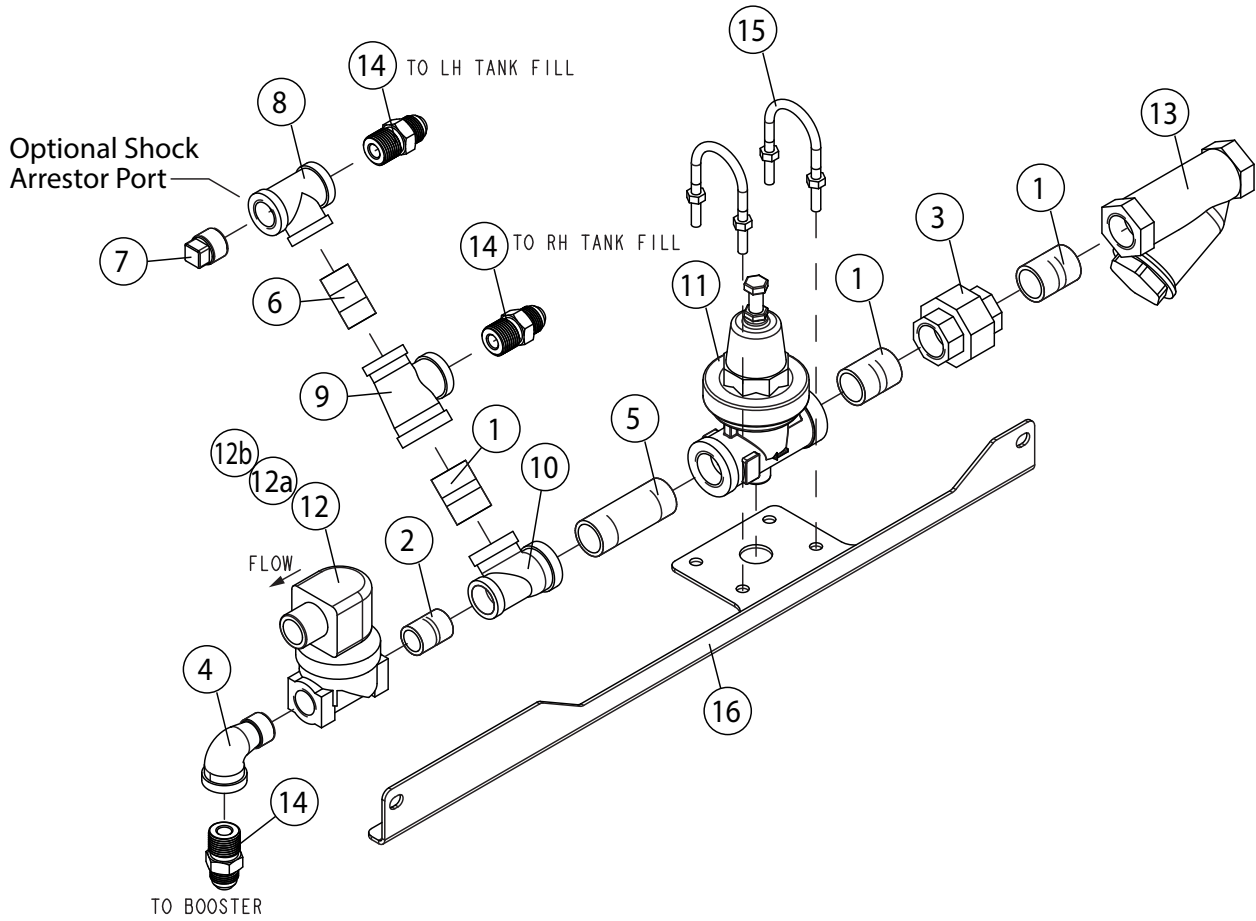
64PRO Standard Hose Plumbing Diagram (Prior to S/N RP20112924)



## 64PRO Standard Hose Plumbing Diagram (Prior to S/N RP20112924)

<b>Item No.</b>	<b>Part No.</b>	<b>Description</b>	<b>Qty.</b>
1	419012	HOSE ASSY., 1/2"ID, X 60" LG., FLARE JIC	2
2	421091	HOSE ASSY., 1/2"ID, X 39" LG., FLARE JIC	1
3	419228	HOSE ASSY., 1/2" ID, X 12" LG., FLARE JIC	1

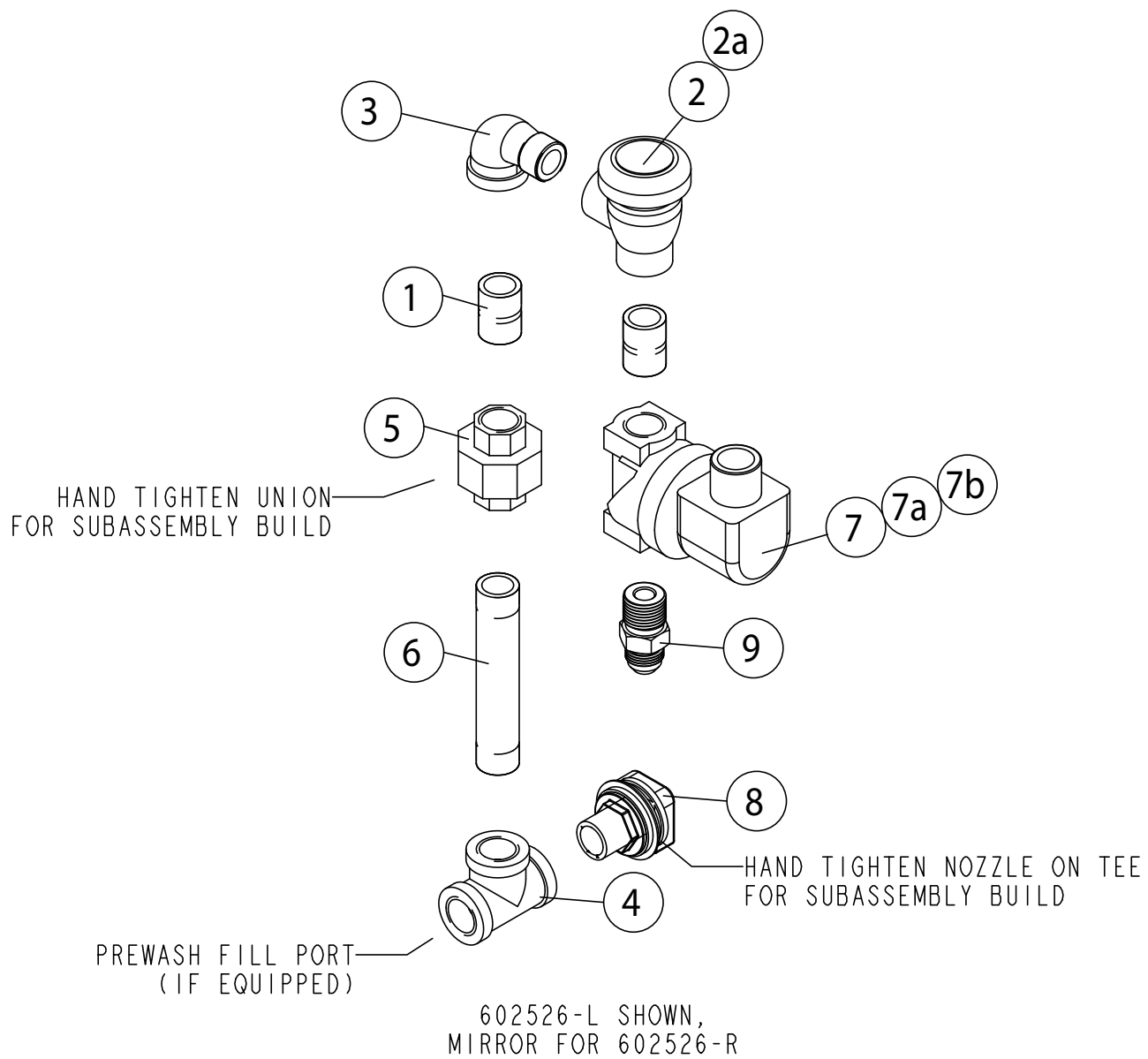
64PRO Main Piping Assembly with Booster (Beginning with S/N RP20112924)



## 64PRO Main Piping Assembly with Booster (Beginning with S/N RP20112924)

Item No.	Part No.	Description	Qty.
1	100184	NIPPLE, 3/4" NPT X CLOSE, BRASS	3
2	100209	NIPPLE, 1/2" NPT X CLOSE, BRASS	1
3	100571	UNION, 3/4" NPT, BRASS	1
4	102438	ELBOW, STREET, 1/2" NPT X 90°, BRASS	1
5	100461	NIPPLE, 3/4" NPT X 2-1/4" LG. BRASS	1
6	102485	NIPPLE, 1/2" NPT X 1-1/2" LG. BRASS	1
7	102504	PLUG, 1/2" NPT, SQ. HEAD, BRASS	1
8	102514	TEE, 1/2" NPT, BRASS	1
9	102524	TEE, RED., 3/4" X 1/2" X 1/2" NPT, BRASS	1
10	102525	TEE, RED., 3/4" X 1/2" X 3/4" NPT BRASS	1
11	107550	VALVE, PRESSURE, REGULATING, 3/4" NPT, BRONZE	1
12	109886	VALVE, SOLENOID, 1/2" NPT HW PARKER	1
12a	109902	KIT, REPAIR VALVE, 1/2"	A/R
12b	108516	COIL, SOLENOID VALVE, 1/2" 120VAC	A/R
13	110768	STRAINER, LINE, 3/4" NPT BRASS	1
14	115101	COUPLING, MALE, 1/2" NPT X 1/2" 37D FLARE JIC, BR	3
15	115169	U-BOLT, 1/4-20 X 1-3/8" LG. THREADED, X 1/2" OD	2
16	339984	BRACKET, MOUNTING, MAIN CONNECT PLBG.	1

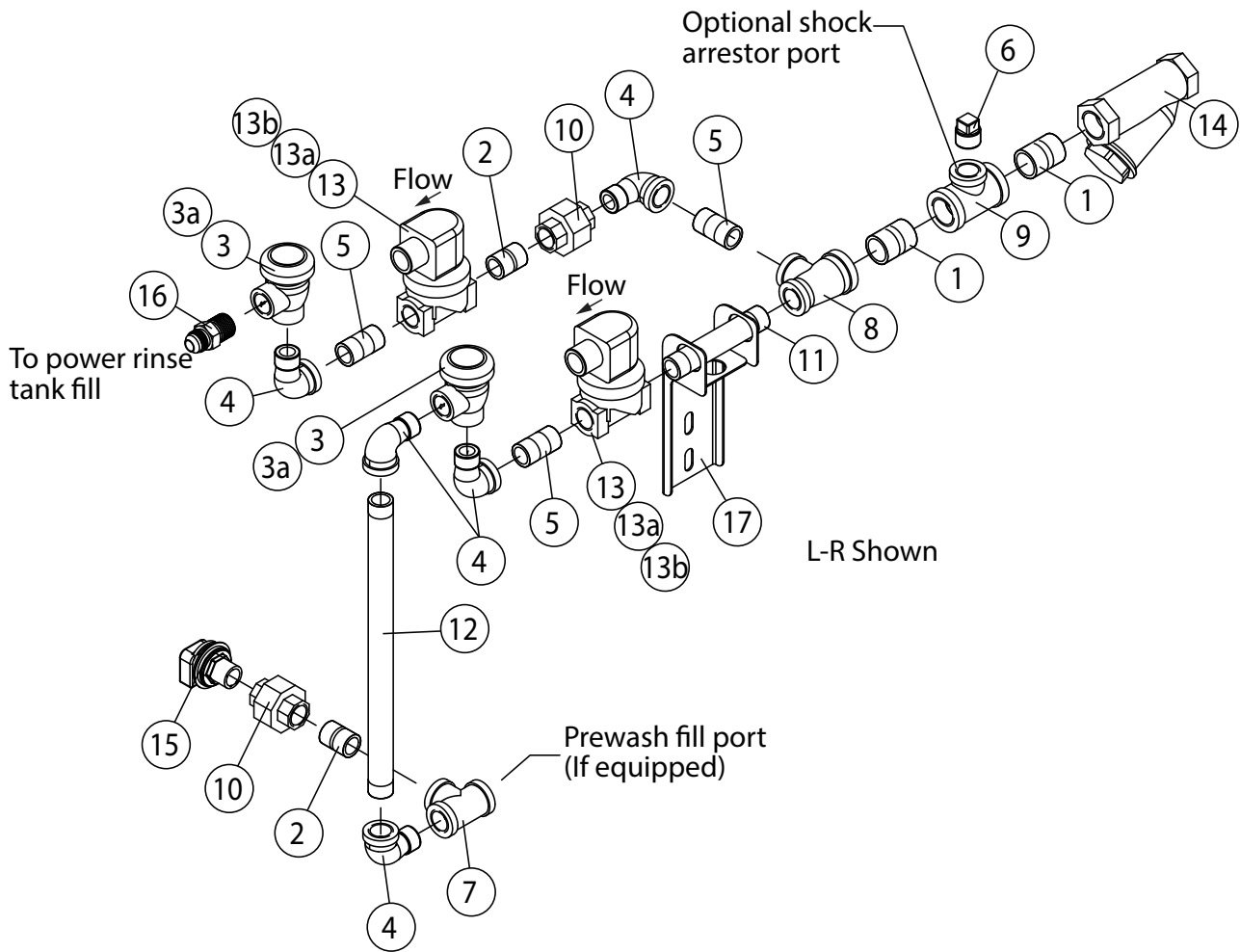
64PRO Fill Piping Assembly (Beginning with S/N RP20112924)



## 64PRO Fill Piping Assembly (Beginning with S/N RP20112924)

Item No.	Part No.	Description	Qty.
1	100209	NIPPLE, 1/2" NPT X CLOSE, BRASS	2
2	100500	BREAKER, VACUUM, 1/2" NPT, BRONZE	1
2a	900836	KIT, VACUUM BREAKER, 1/2"	A/R
3	102438	ELBOW, STREET, 1/2" NPT X 90°, BRASS	1
4	102514	TEE, 1/2" NPT, BRASS	1
5	102549	UNION, 1/2" NPT, BRASS	1
6	102571	NIPPLE, 1/2" NPT, BRASS	1
7	109886	VALVE, SOLENOID, 1/2" NPT, HW PARKER	1
7a	109902	KIT, REPAIR VALVE, 1/2"	A/R
7b	108516	COIL, SOLENOID VALVE, 1/2", 120VAC	A/R
8	111325	NOZZLE, FLUSHING, POLISHED CHROME	1
9	115101	COUPLING, MALE, 1/2" NPT X 1/2" 37D FLARE JIC, BR	1

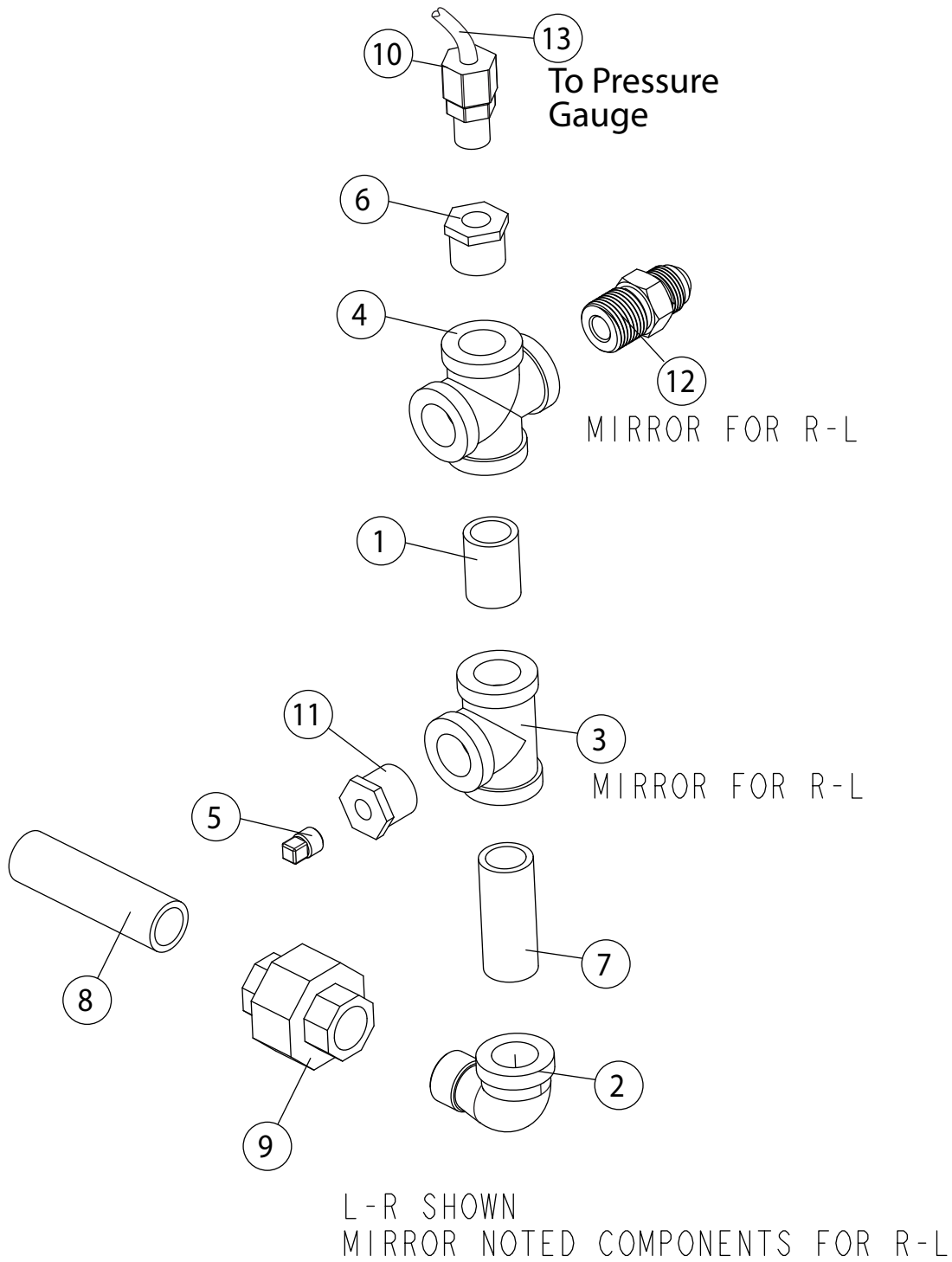
64PRO-VHR Fill Piping Assembly All 64PRO-VHR S/N's)



## 64PRO-VHR Fill Piping Assembly (All 64PRO-VHR S/N's)

Item No.	Part No.	Description	Qty.
1	100184	NIPPLE, 3/4" NPT X CLOSE, BRASS	2
2	100209	NIPPLE, 1/2" NPT X CLOSE, BRASS	2
3	100500	BREAKER, VACUUM, 1/2" NPT BRONZE	2
3a	900836	KIT, VACUUM BREAKER, 1/2"	A/R
4	102438	ELBOW, STREET, 1/2" NPT X 90° BRASS	2
5	102485	NIPPLE, 1/2" NPT X 1-1/2" LG. BRASS	5
6	102504	PLUG, 1/2" NPT, SQ. HEAD, BRASS	1
7	102514	TEE, 1/2" NPT, BRASS	1
8	102524	TEE, RED. 3/4" X 1/2" X 1/2" NPT, BRASS	1
9	102526	TEE, RED. 3/4" X 3/4" X 1/2" NPT, BRASS	1
10	102549	UNION, 1/2" NPT, BRASS	2
11	102571	NIPPLE, 1/2" NPT X 4-1/4" LG., BRASS	1
12	102594	NIPPLE, 1/2" NPT X 12" LG., BRASS	1
13	109886	VALVE, SOLENOID, 1/2" NPT, HW PARKER	2
13a	109902	KIT, REPAIR VALVE, 1/2"	A/R
13b	108516	COIL, SOLENOID VALVE, 1/2" 120VAC	A/R
14	110768	STRAINER, LINE, 3/4" NPT BRASS	1
15	111325	NOZZLE, FLUSHING, POLISHED CHROME	1
16	115101	COUPLING, MALE, 1/2" NPT X 1/2" 37D, FLARE JIC, BR	1
17	339983	BRACKET, FILL PIPING/VACUUM BREAKER	1

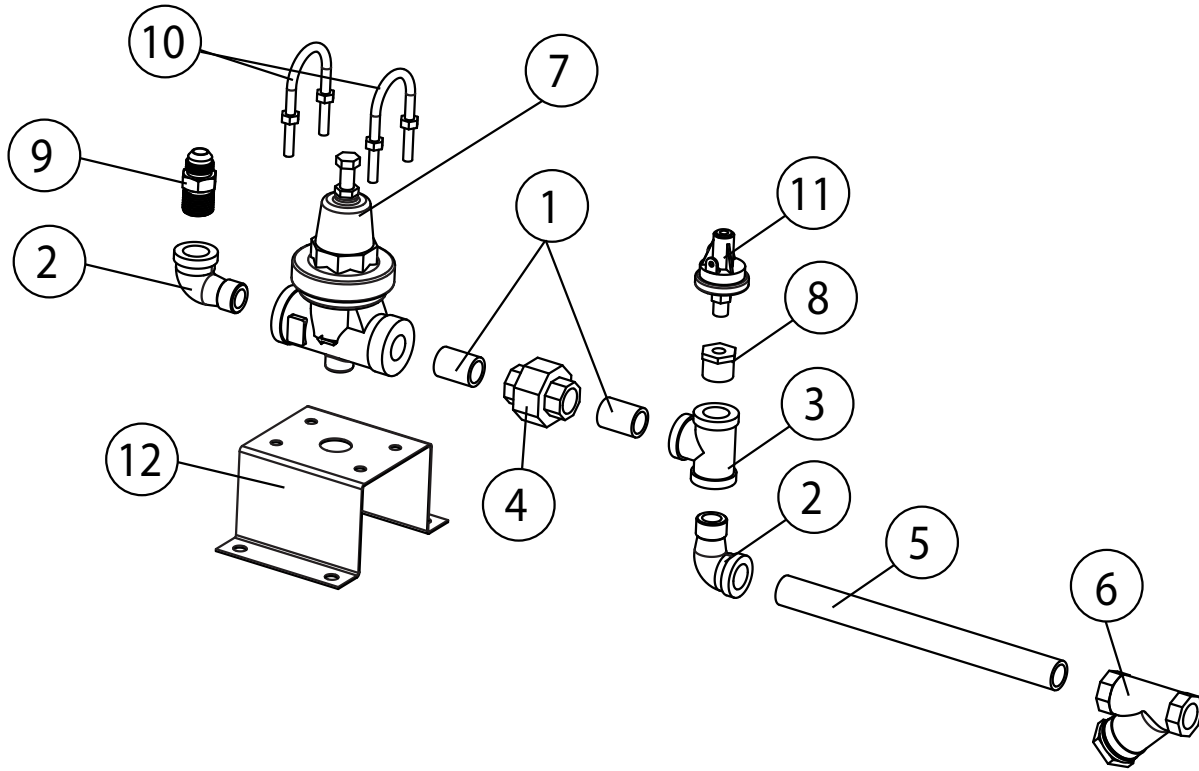
64PRO-VHR Final Rinse Piping Assembly (All 64-VHR S/N's)



## 64PRO-VHR Final Rinse Piping Assembly (All 64-VHR S/N's)

Item No.	Part No.	Description	Qty.
1	100209	NIPPLE, 1/2" NPT, X CLOSE, BRASS	1
2	100516	STREET, ELBOW, 1/2" NPT X 90°, SST	1
3	100554	TEE, 1/2" NPT, SST	1
4	100598	CROSS, 1/2" NPT, BRASS	1
5	101259	PLUG, 1/8" NPT SQ. HEAD, BRASS	1
6	102388	BUSHING, REDUCING, 1/2" NPT X 1/4" NPT, BRASS	1
7	102461	NIPPLE, 1/2"NPT X 2" LG., SST	1
8	102463	NIPPLE, 1/2" NPT X 3" LG. SST	1
9	102550	UNION, 1/2" NPT, SST	1
10	107065	ADAPTER, 1/4" OD X 1/4" MPT, PLASTIC	1
11	114717	BUSHING, REDUCING, 1/2" NPT X 1/8" NPT SST	1
12	115101	COUPLING, MALE, 1/2" NPT X 1/2" 37D, FLARE JIC, BR	1
13	107414	TUBING, 1/4" HIGH DENSITY	4 FT.

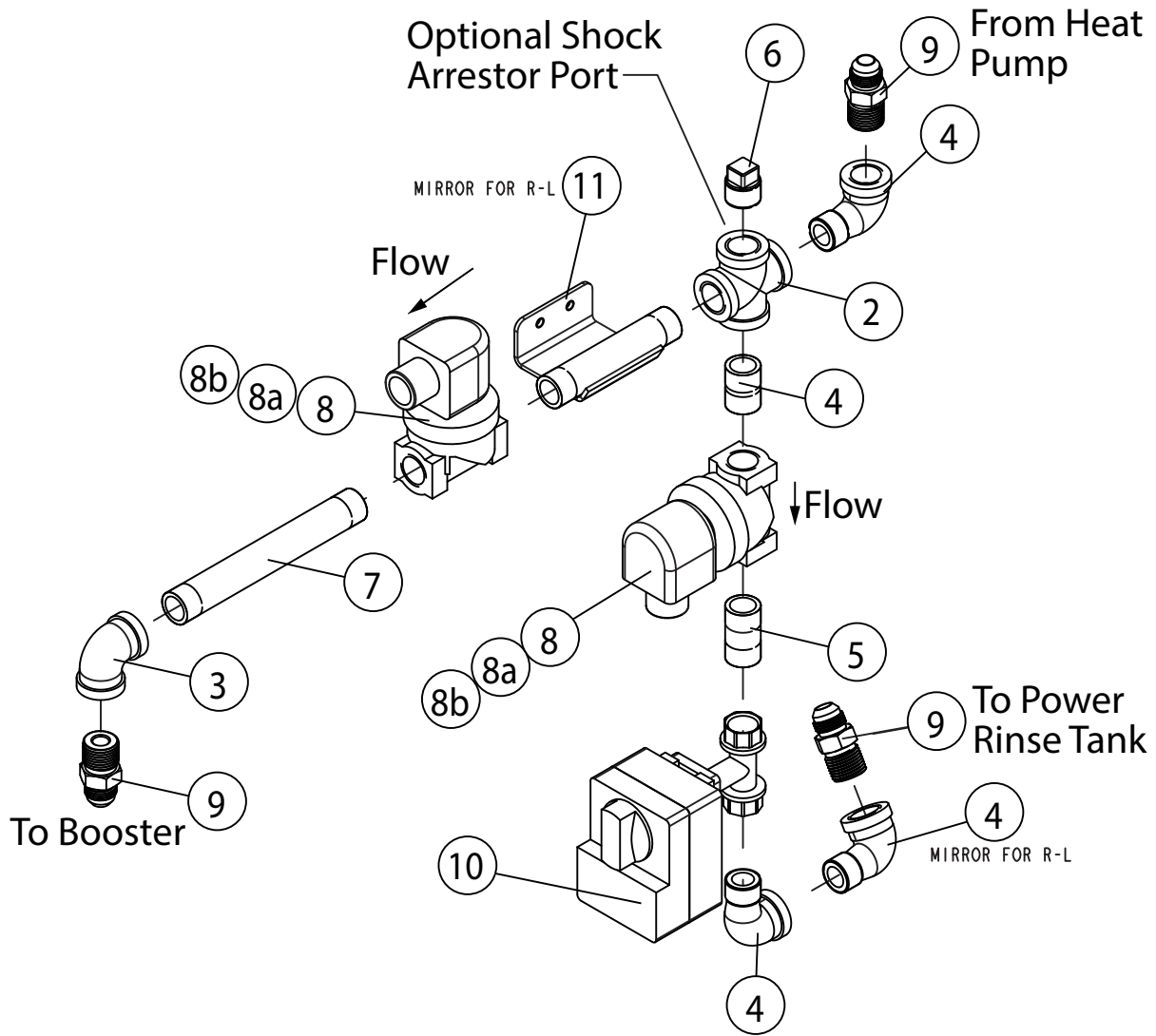
64PRO-VHR Heat Pump Cold Water Inlet (All 64-VHR S/N's)



## 64PRO-VHR Heat Pump Cold Water Inlet (All 64-VHR S/N's)

Item No.	Part No.	Description	Qty.
1	100209	NIPPLE, 1/2" NPT, X CLOSE, BRASS	2
2	102438	ELBOW, STREET, 1/2" X 90°, BRASS	2
3	102514	TEE, 1/2" NPT, BRASS	1
4	102549	UNION, 1/2" NPT, BRASS	1
5	102585	NIPPLE, 1/2" NPT X 9" LG., BRASS	1
6	104421	STRAINER, LINE 1/2" NPT, BRONZE	1
7	108265	VALVE, PRESSURE REGULATING, 1/2" NPT , BRONZE	1
8	114717	BUSHING, REDUCING, 1/2" NPT X 1/8" NPT , SST	1
9	115101	COUPLING, MALE, 1/2" NPT X 1/2" 37D, FLARE JIC, BR	1
10	115169	U-BOLT, 1/4-20 X 1-3/8" LG. THREADED, X 1-1/2" OD	2
11	117073	SWITCH, PRESSURE, 15 PSI SET POINT, 1/8" MNPT NO	1
12	339878	BRACKET, PRV SUPPORT, CW	1

64PRO-VHR Auto-modulating Discharge Valve Piping Assembly (All 64-VHR S/N's)

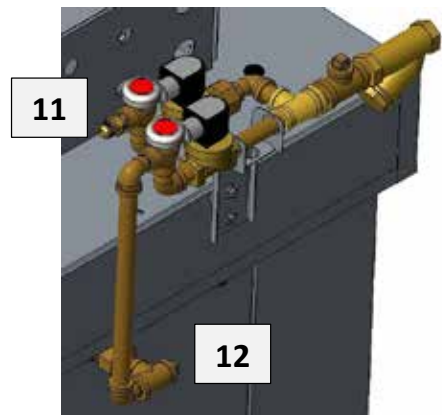


## 64PRO-VHR Auto-modulating Discharge Valve Piping Assembly (All 64-VHR S/N's)

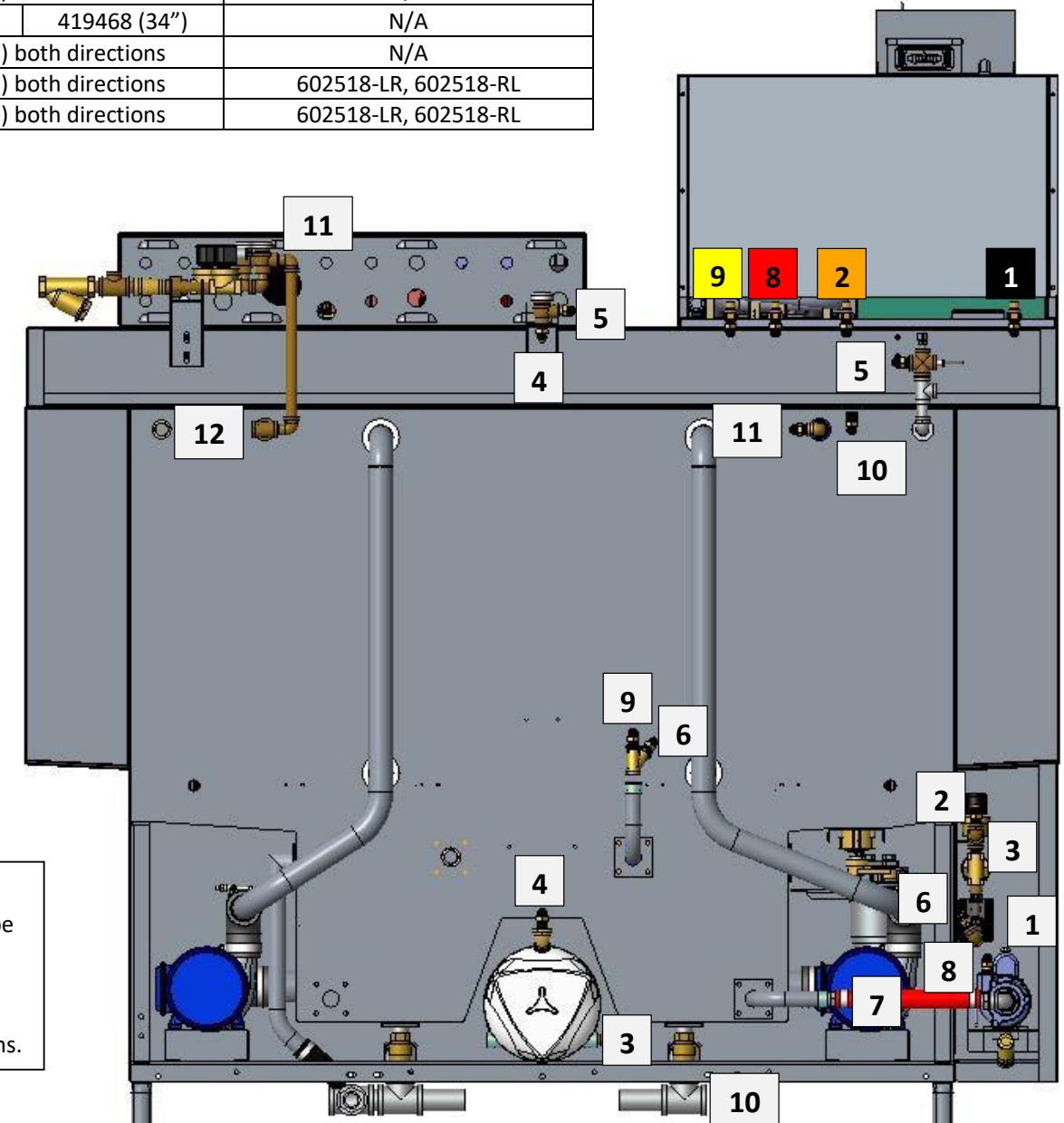
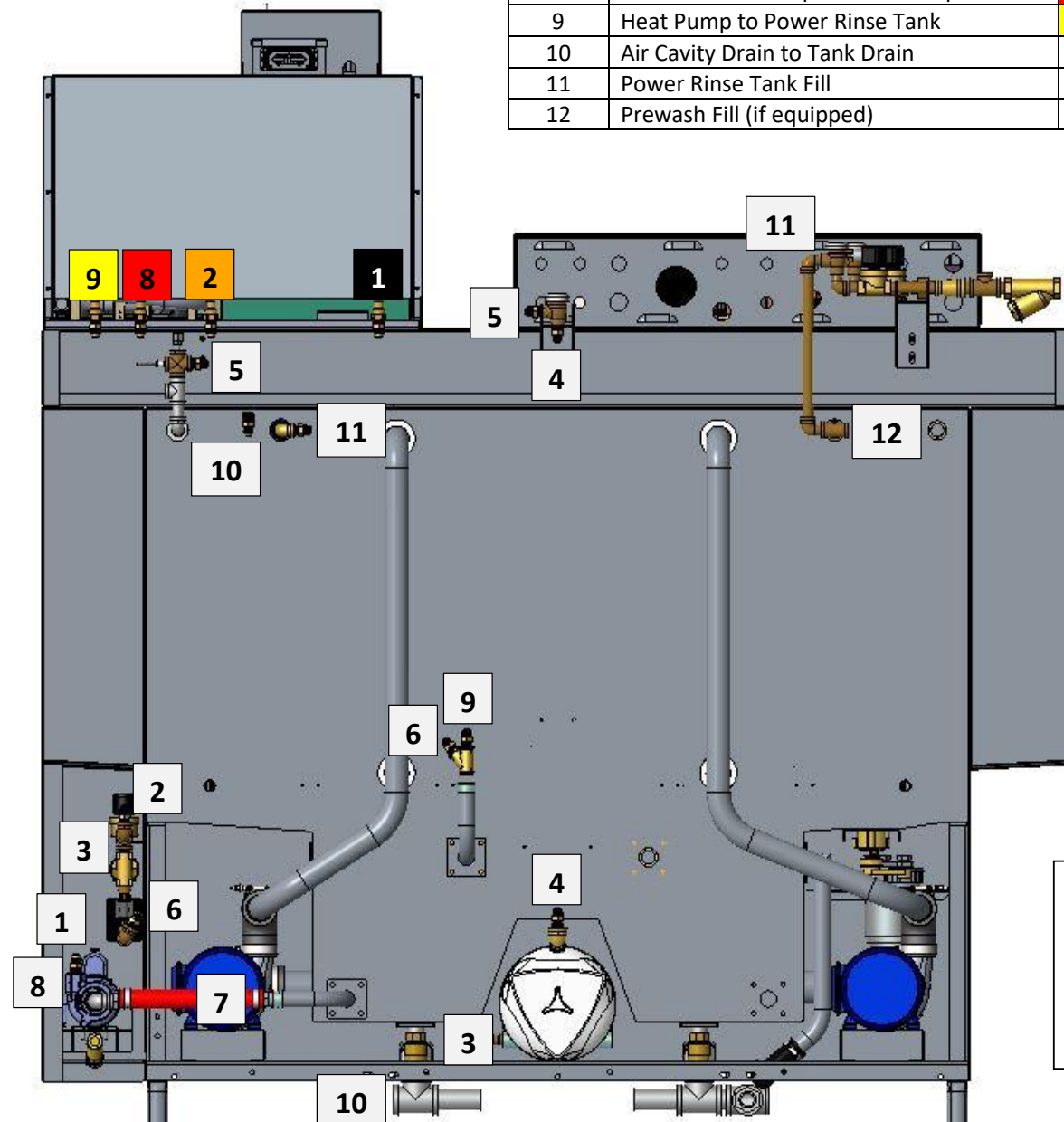
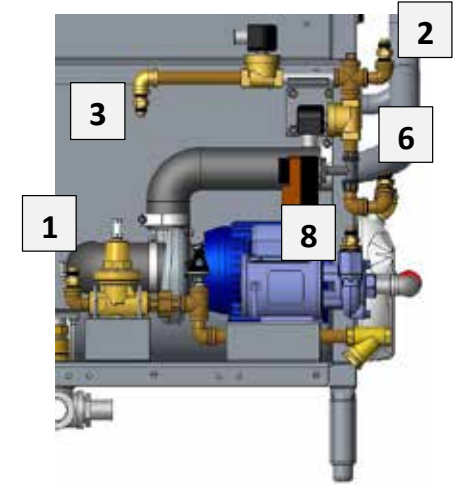
Item No.	Part No.	Description	Qty.
1	100209	NIPPLE, 1/2" NPT, X CLOSE, BRASS	2
2	100598	CROSS, 1/2" NPT BRASS	1
3	102435	ELBOW, 1/2" NPT X 90°, BRASS	1
4	102438	ELBOW, STREET, 1/2" NPT X 90°, BRASS	3
5	102485	NIPPLE, 1/2" NPT X 1-1/2" LG. BRASS	1
6	102504	PLUG, 1/2" NPT SQ. HEAD, BRASS	1
7	102578	NIPPLE, 1/2" NPT X 6" LG. BRASS	1
8	109866	VALVE, SOLENOID, 1/2" NPT, HW PARKER	2
8a	109902	KIT, REPAIR VALVE, 1/2"	A/R
8b	108516	COIL, SOLENOID VALVE, 120VAC	A/R
9	115101	COUPLING, MALE, 1/2" NPT X 1/2" 37D, FLARE JIC, BR	3
10	116935	VALVE, MODULATING, DISCHARGE, VHR	1
11	339880	MOUNT, BASE, PRO PIPING ASSEMBLY	1

**This Page  
Intentionally  
Left Blank**

### 64PRO-VHR Hose Plumbing Diagram



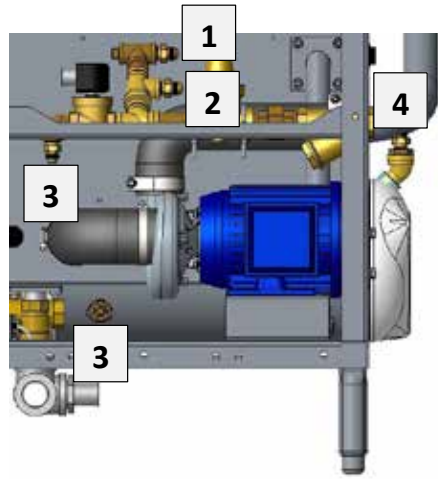
Hose #	Hose Description	Hose Marking (see Note 1)	L-R Machine	R-L Machine	Reference Piping Drawings
1	Cold Inlet to Heat Pump	Black	419007 (70")	419973 (64")	602513
2	Heat Pump to FR/Mod Valve Piping	Orange	420537 (40") both directions		602517
3	FR/Mod Valve Piping to Booster		419468 (34") both directions		602517
4	Booster to FR Vacuum Breaker		419469 (48") both directions		421300
5	FR Vacuum Breaker to FR Piping		421079 (25") both directions		602522
6	Modulating Valve to Power Rinse Tank		421043 (30") both directions		602517
7	Power Rinse Tank to Recirculation Pump		207823 (9-3/4") both directions		N/A
8	Recirculation Pump to Heat Pump	Red	420533 (50") both directions		N/A
9	Heat Pump to Power Rinse Tank	Yellow	419469 (48")	419468 (34")	N/A
10	Air Cavity Drain to Tank Drain		419007 (70") both directions		N/A
11	Power Rinse Tank Fill		421078 (45") both directions		602518-LR, 602518-RL
12	Prewash Fill (if equipped)		419228 (12") both directions		602518-LR, 602518-RL



**Note 1:**  
Wrap matching colored electrical tape bands (using the specified colors shown) around heat pump copper tubes and their corresponding hoses near the joints to aid field connections.

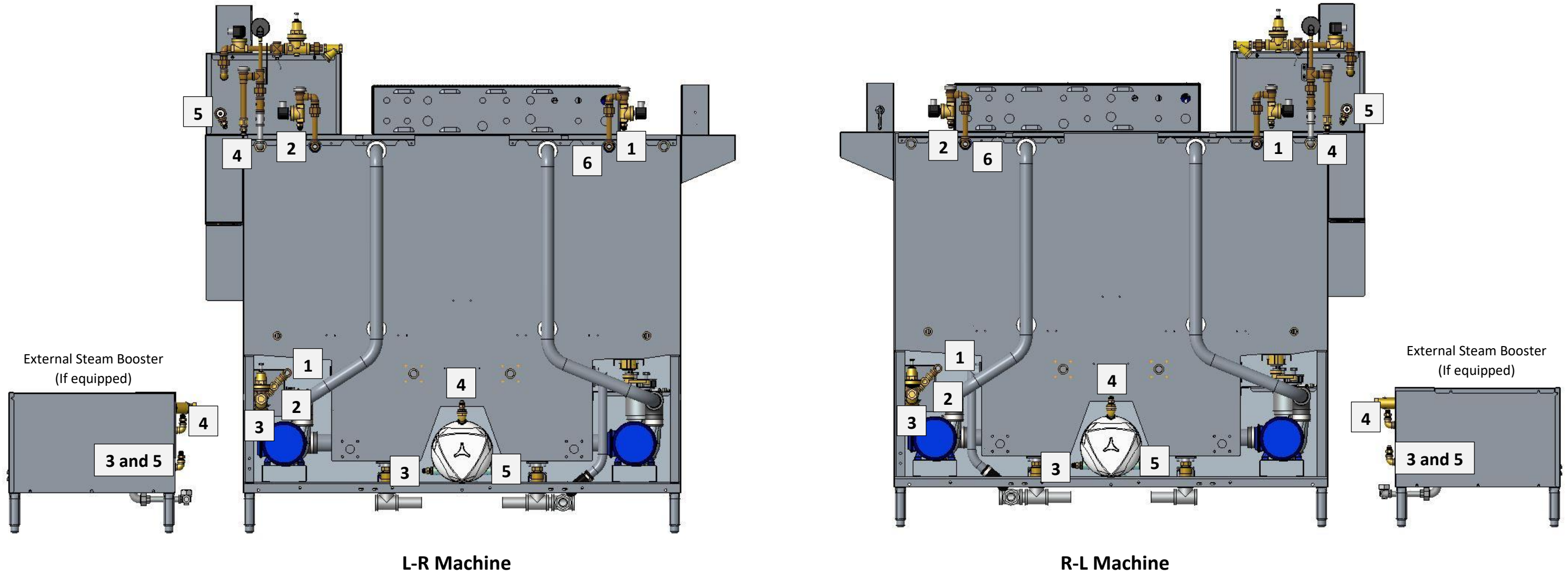
### 64PRO Hose Plumbing Diagram, With Booster, Standard or Hi-Hood

(For machines with an order delivery date after 12/13/20)



Hose #	Hose Description	L-R Machine		R-L Machine		Reference Piping Drawings
		Electric Booster	External Steam Booster	Electric Booster	External Steam Booster	
1	LH Tank Fill	419013 (80") all versions				602526, 602534
2	RH Tank Fill	420533 (50") all versions				602526, 602534
3	Booster Feed	421043 (30")	419007 (70")	421043 (30")	421326 (105")	602534
4	Final Rinse	419010 (56")	117571 (70")*	419010 (56")	117571 (70")*	421027, 602435, 421097 (steam)
5	Heat Recovery (if equipped)	420980 (75")	419007 (70")	420980 (75")	419007 (70")	421027, 602436 421097 (steam)
6	Prewash Fill (if equipped)	419228 (12") both directions				602526

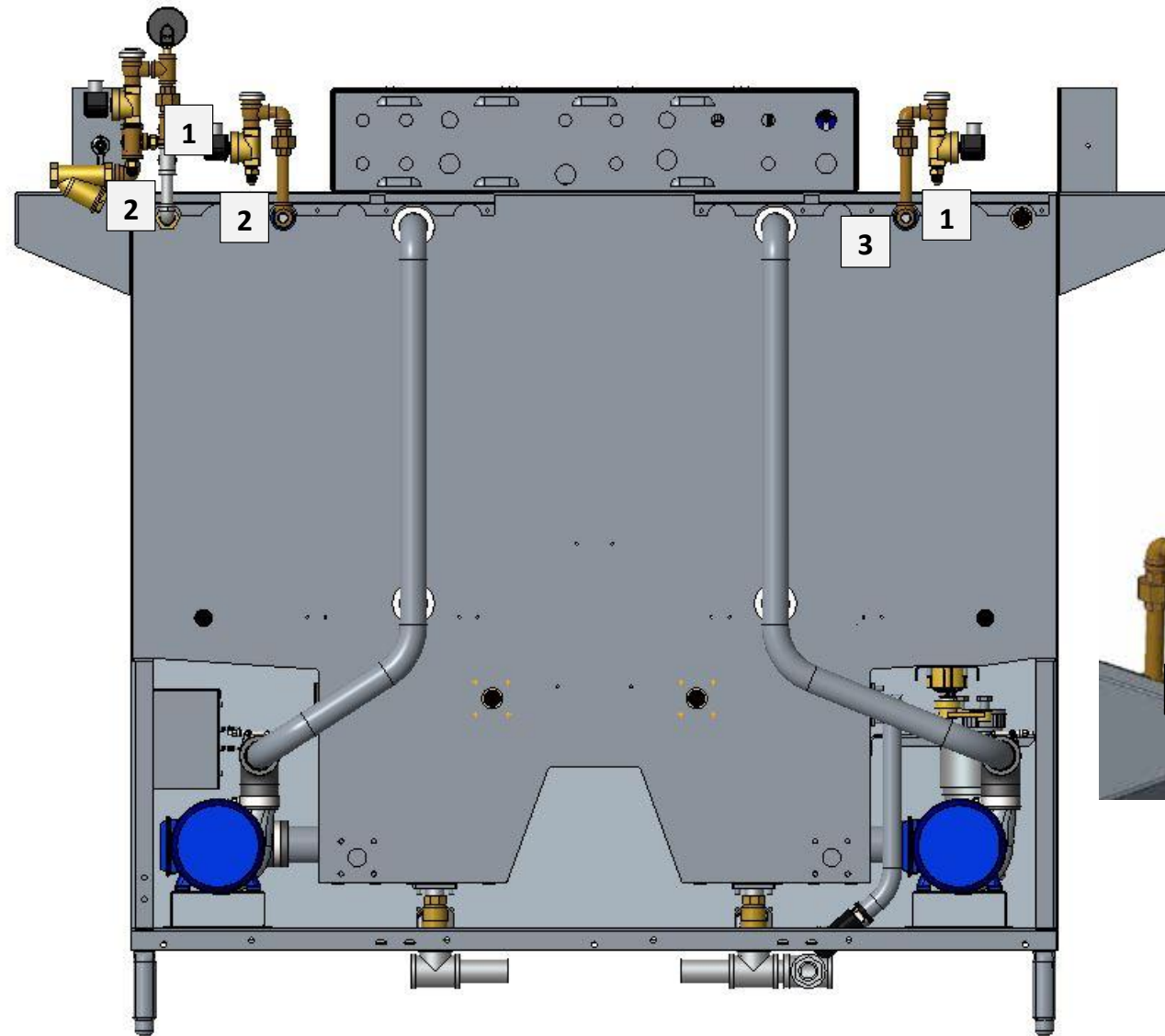
\* = SST braided hose for steam final rinse applications



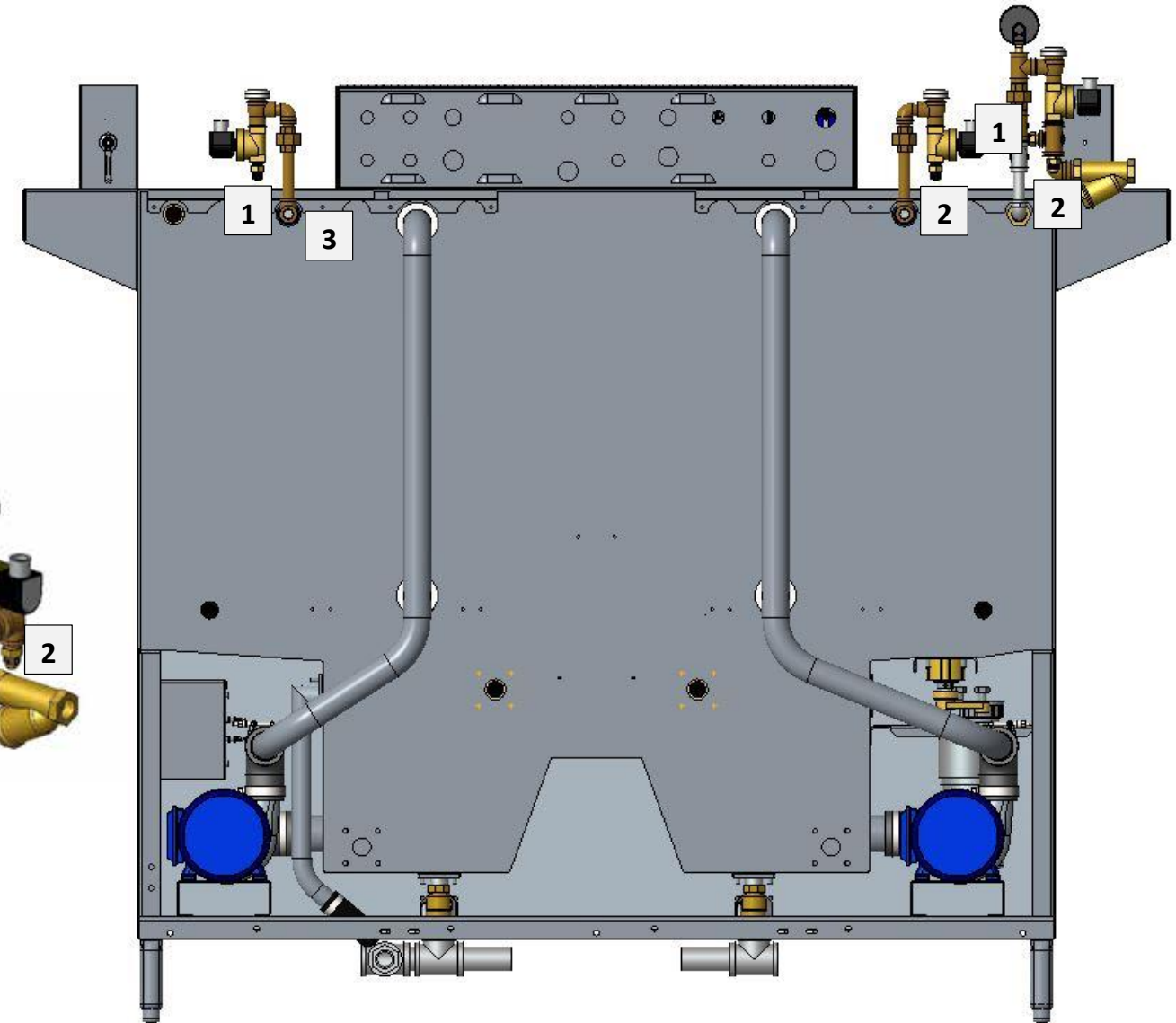
### 64PRO Hose Plumbing Diagram, No Booster

(For machines with an order delivery date after 12/13/20)

Hose #	Hose Description	L-R Machine	R-L Machine	Reference Piping Drawings
1	Wash Tank Fill	419012 (60") both directions		602526, 602535
2	Power Rinse Tank Fill	421307 (18") both directions		602526, 602535
3	Prewash Fill (if equipped)	419228 (12") both directions		602526



L-R Machine



R-L Machine

**This Page  
Intentionally  
Left Blank**

**This Page  
Intentionally  
Left Blank**

