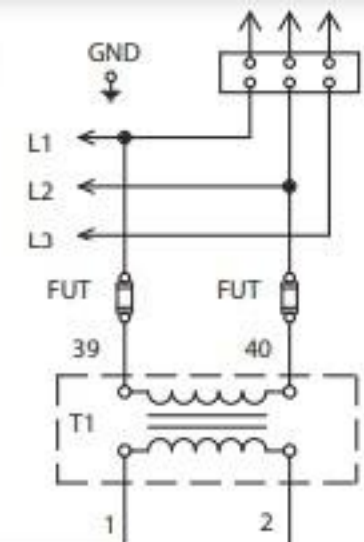


WIRES #1 AND 2 ARE CONNECTED TO THE FUSE BLOCK IN PLACE OF #39 AND 40.

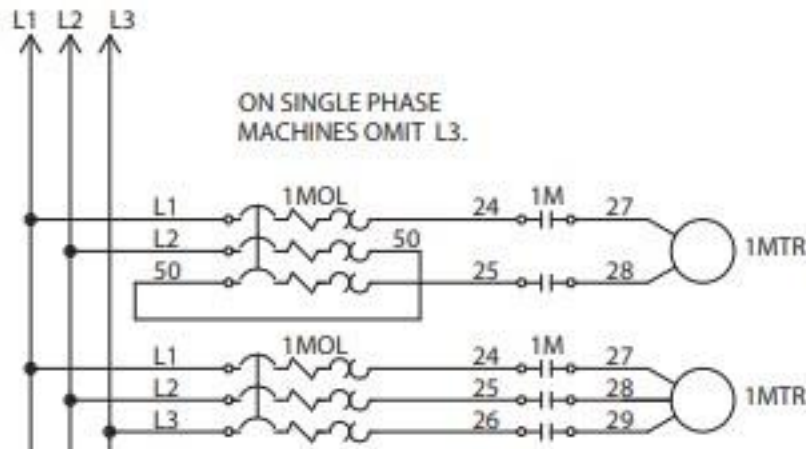
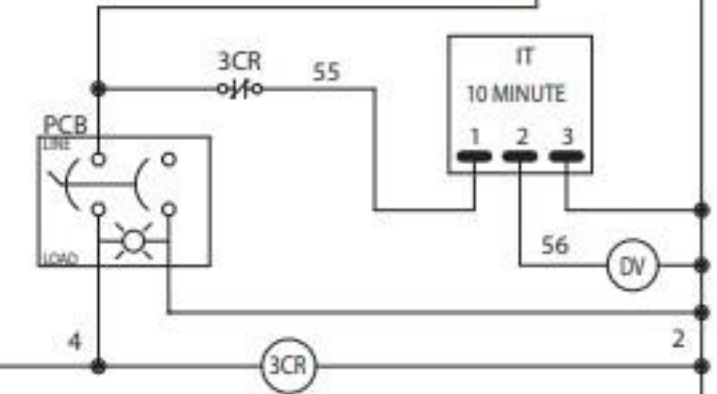
NOTE 2: USED ON MACHINES WITH INDEPENDENT FRONT DOOR OPTION.

A: ON 115V MACHINES THE WASH TANK HEATER IS 3 KW.  
 B: THE KW RATING OF THE BOOSTER ELEMENT IS DEPENDENT UPON THE VOLTAGE AND DEGREE RISE OF THE SYSTEM. SINGLE PHASE MACHINES W/ ELEC. BOOSTER ARE 40°F RISE ONLY. 40°F RISE UNITS USE 7.5/10 OR 9 KW ELEMENTS. 70°F RISE UNITS USE 13.5/18 OR 17.7 KW ELEMENTS.

ON SINGLE PHASE MACHINES OMIT L3.



T1 NOT USED WITH 115V LINE SUPPLY SEE NOTE 1

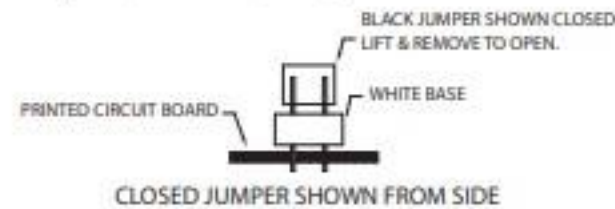


**! IMPORTANT !**  
 IMPROPER JUMPER SETTINGS WILL CAUSE ERRATIC MACHINE OPERATION.

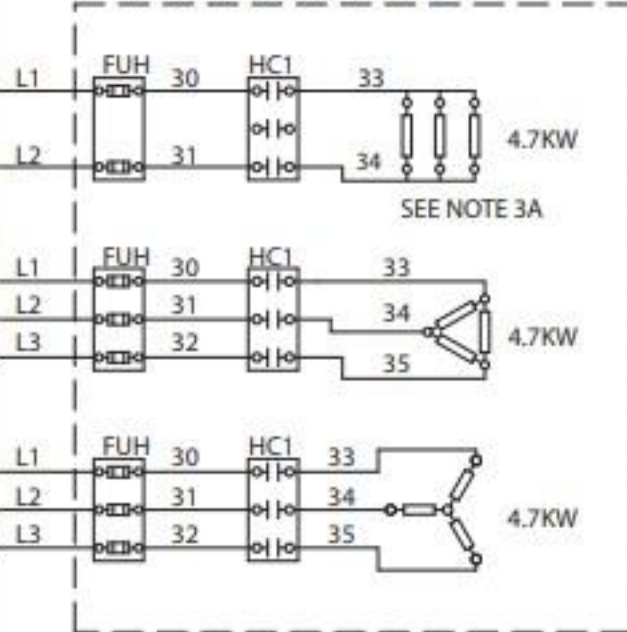
VERIFY THE MODEL AND SERIAL NUMBER OF THE DISHWASHER, THE CIRCUIT BOARD PART NUMBER, AND THEN SET THE POSITION OF THE JUMPERS (JB1, JB2, JB3) AS SHOWN IN THE TABLE BELOW.

MODEL	MACHINE SERIAL NUMBER	CKT. BD. PART NUMBER	JUMPER SETTINGS		
			JB1	JB2	JB3
DH1, DHB	UP TO D3857	112676 REV C	OPEN	CLOSED	OPEN
DH1, DHB	D35858-D0816800	113597 REV G	CLOSED	CLOSED	OPEN
DLF	ALL	113597 REV G	OPEN	CLOSED	OPEN
DH1/B (E*)	D08016801 - UP	113597 REV H	OPEN	OPEN	OPEN

E\* - Energy Star Qualified Product, starting with serial# D08016801



ELECTRIC TANK HEAT IF USED



SEE NOTE 3A

ELECTRIC BOOSTER HEAT IF USED (SEE NOTE 3B)

