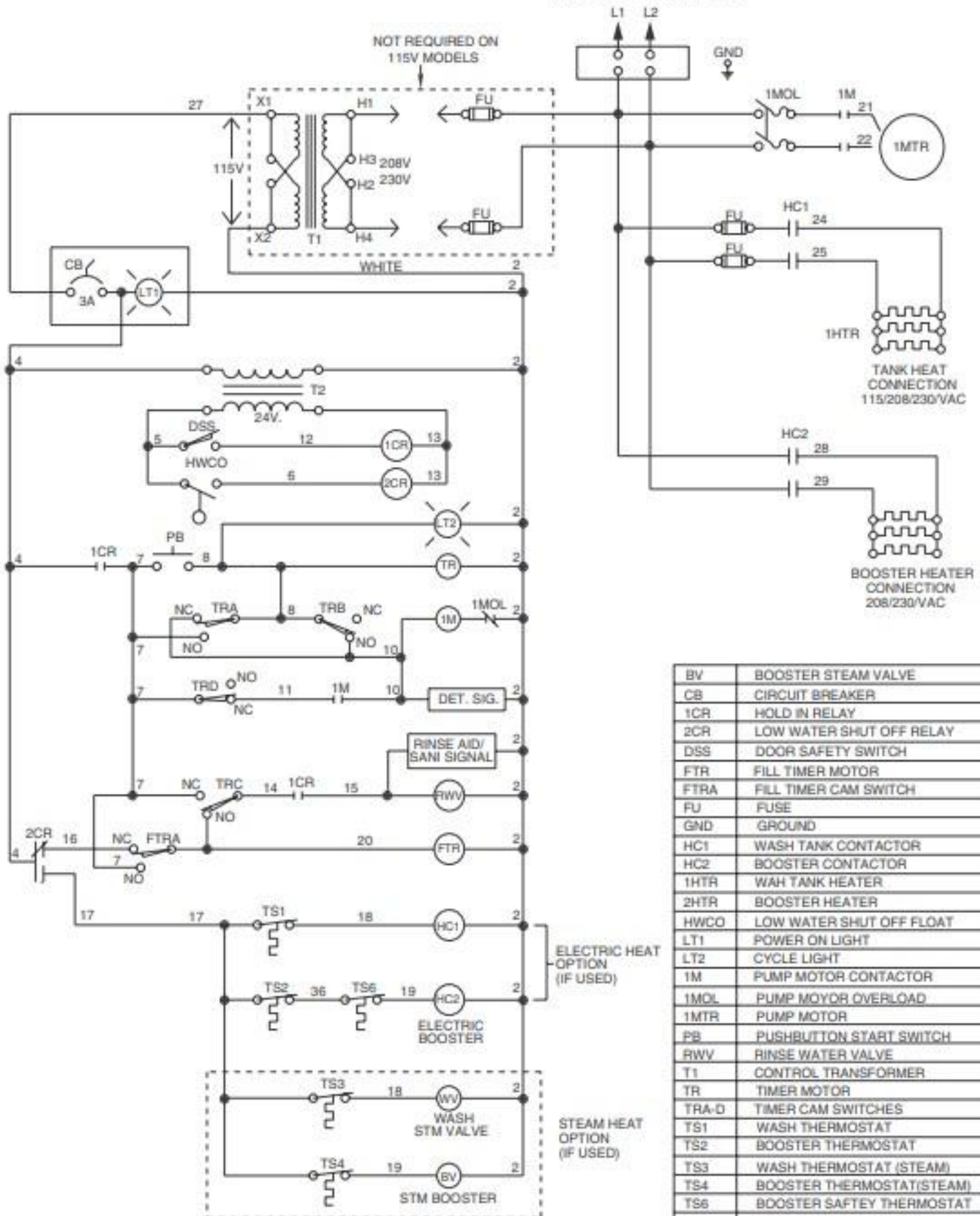
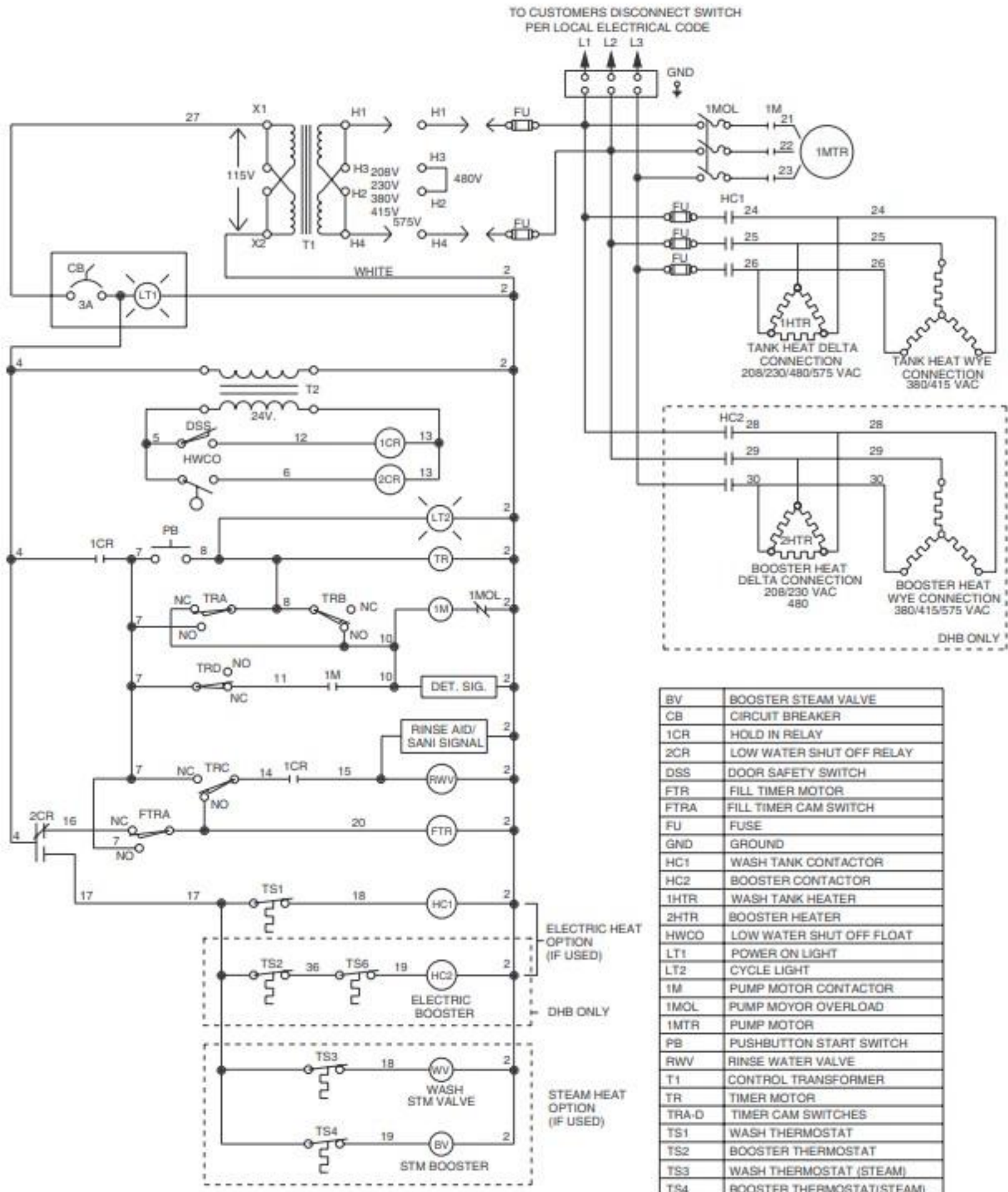


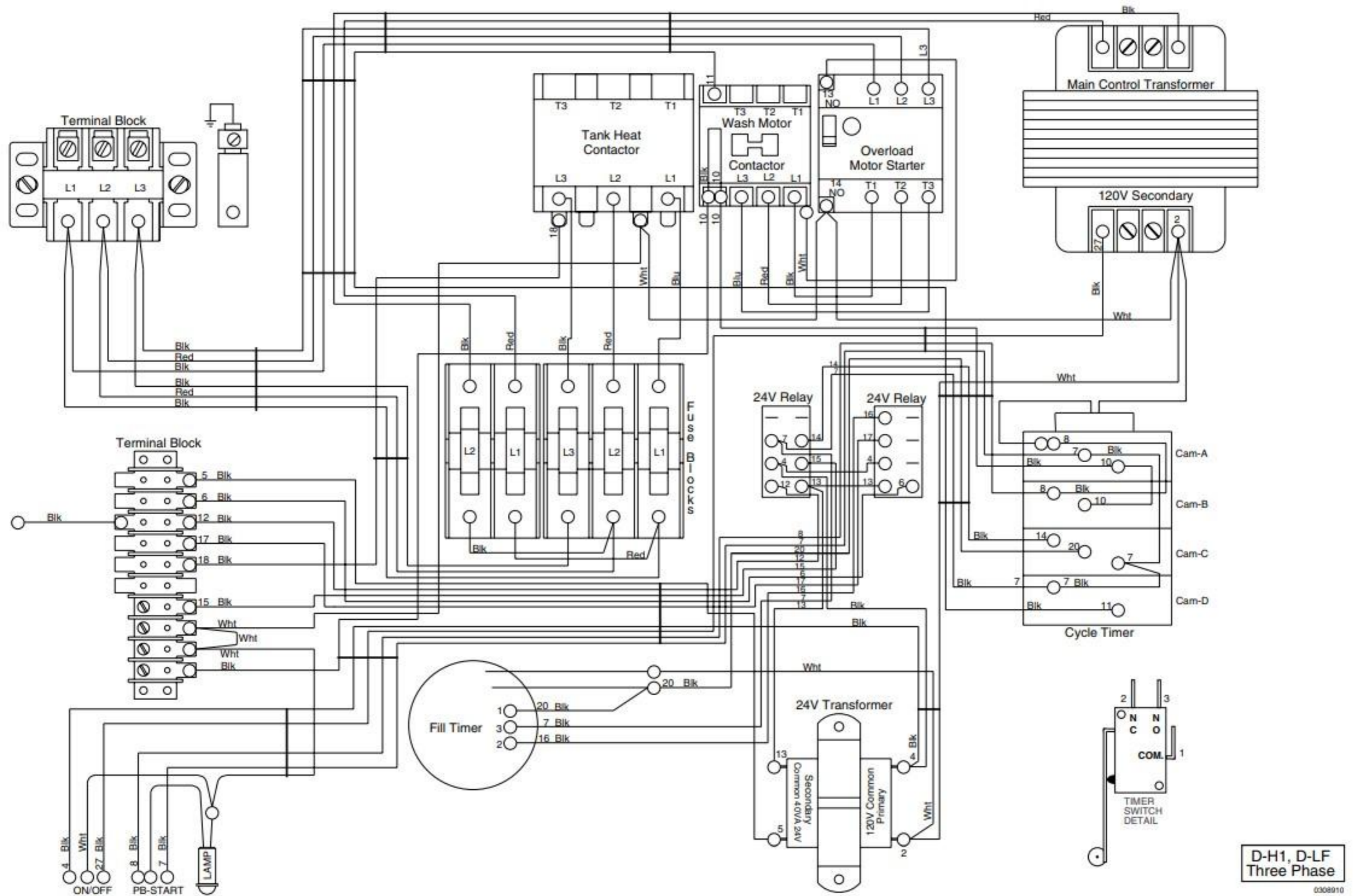
TO CUSTOMERS DISCONNECT SWITCH PER LOCAL ELECTRICAL CODE

NOT REQUIRED ON 115V MODELS



BV	BOOSTER STEAM VALVE
CB	CIRCUIT BREAKER
1CR	HOLD IN RELAY
2CR	LOW WATER SHUT OFF RELAY
DSS	DOOR SAFETY SWITCH
FTR	FILL TIMER MOTOR
FTRA	FILL TIMER CAM SWITCH
FU	FUSE
GND	GROUND
HC1	WASH TANK CONTACTOR
HC2	BOOSTER CONTACTOR
1HTR	WAH TANK HEATER
2HTR	BOOSTER HEATER
HWCO	LOW WATER SHUT OFF FLOAT
LT1	POWER ON LIGHT
LT2	CYCLE LIGHT
1M	PUMP MOTOR CONTACTOR
1MOL	PUMP MOYDR OVERLOAD
1MTR	PUMP MOTOR
PB	PUSHBUTTON START SWITCH
RWV	RINSE WATER VALVE
T1	CONTROL TRANSFORMER
TR	TIMER MOTOR
TRA-D	TIMER CAM SWITCHES
TS1	WASH THERMOSTAT
TS2	BOOSTER THERMOSTAT
TS3	WASH THERMOSTAT (STEAM)
TS4	BOOSTER THERMOSTAT(STEAM)
TS6	BOOSTER SAFTEY THERMOSTAT
WV	WASH TANK STEAM VALVE





D-H1, D-LF  
 Three Phase

