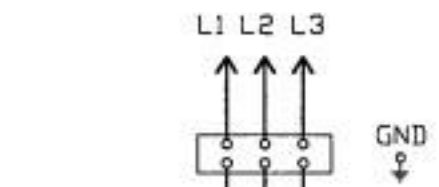
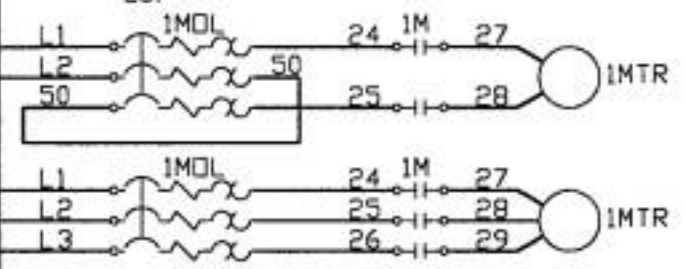


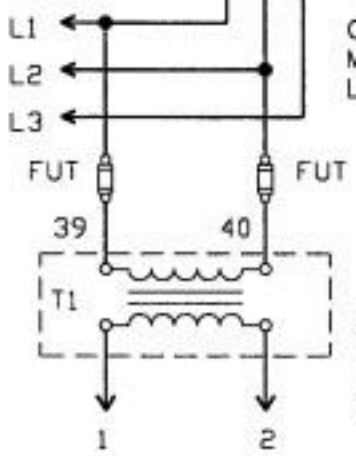
L1 L2 L3

PER LOCAL ELECTRICAL CODE

ON SINGLE PHASE MACHINES OMIT L3.



ON SINGLE PHASE MACHINES OMIT L3.



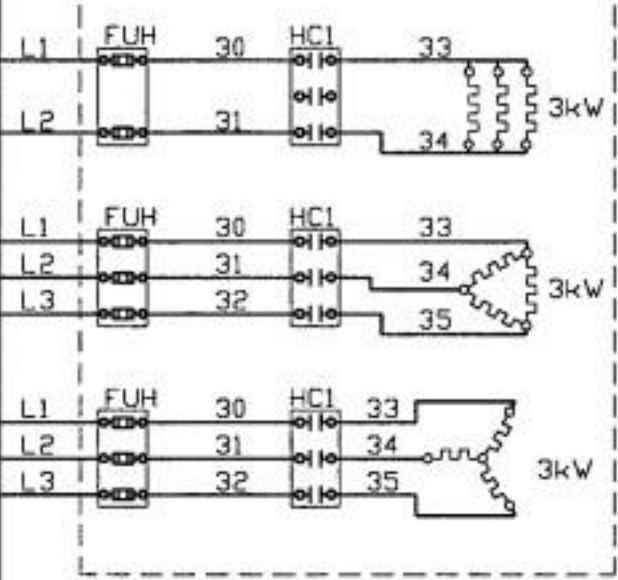
NOT USED WITH 115V LINE SUPPLY SEE NOTE 1

NOTE 1: IF SUPPLY IS 115V T1 IS NOT USED. WIRES #1 AND #2 ARE CONNECTED TO THE FUSE BLOCK IN PLACE OF 39 AND 40.

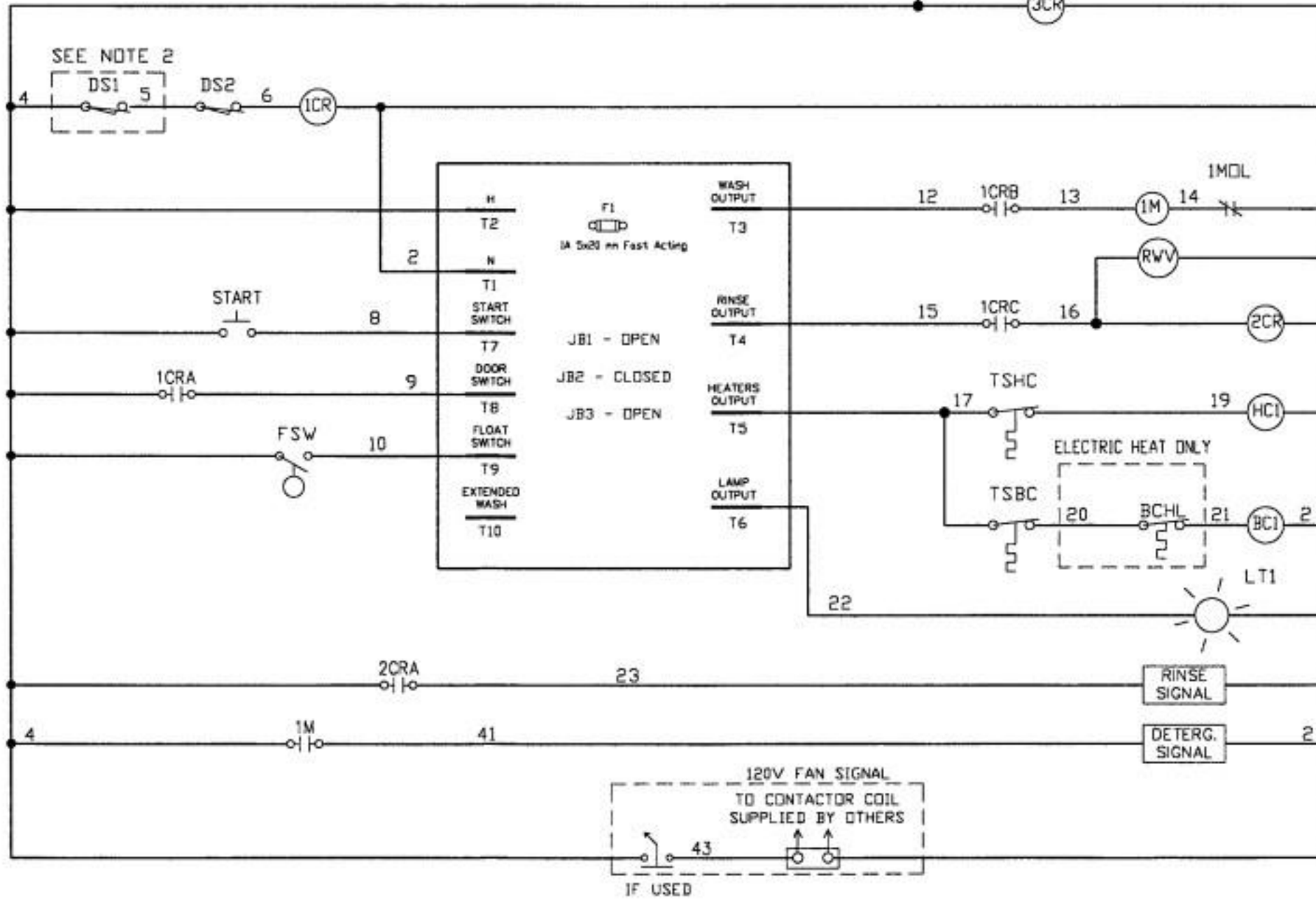
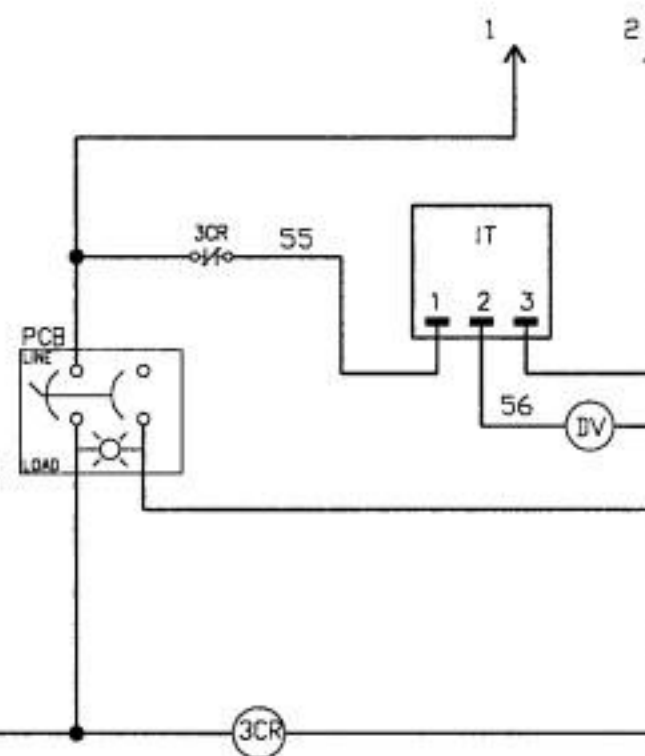
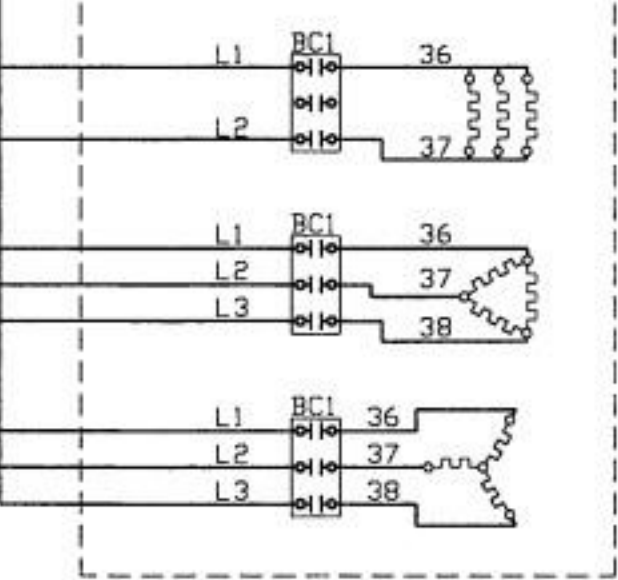
NOTE 2: USED ON INDEPENDENT FRONT DOOR MACHINES.

NOTE 3: THE kW RATING OF THE ELEMENT IS DEPENDENT UPON THE DEGREE RISE OF THE SYSTEM. SINGLE PHASE MACHINES WITH BOOSTERS ARE 40° RISE ONLY AND REQUIRE 9kW ELEMENTS. A 40° RISE THREE PHASE SYSTEM REQUIRES A 9kW ELEMENT. A 70° RISE THREE PHASE SYSTEM REQUIRES AN 18kW ELEMENT.

ELECTRIC TANK HEAT IF USED



ELECTRIC BOOSTER HEAT IF USED (SEE NOTE 3)



H	F1	WASH OUTPUT
T2	1A 5x20 mm Fast Acting	T3
N		RINSE OUTPUT
T1		T4
START SWITCH	JB1 - OPEN	HEATERS OUTPUT
8	JB2 - CLOSED	T5
1CRA	JB3 - OPEN	LAMP OUTPUT
9		T6
FSW		
10		
T9		
EXTENDED WASH		
T10		

