

TO JUNCTION BOX UNDER DISH MACHINE

CUSTOMER TO SUPPLY RATED VOLTAGE/PHASE/Hz, AS SPECIFIED PER ORDER, TO DISCONNECT SWITCH, ALL POWER SUPPLIED TO EACH CONNECTION POINT MUST COMPLY WITH ALL LOCAL ELECTRIC CODES.

DR. BY J. MCALLISTER SCALE  
DATE 6FEB12 SHEET 1 OF 1

REV.	DESCRIPTION	DATE	BY

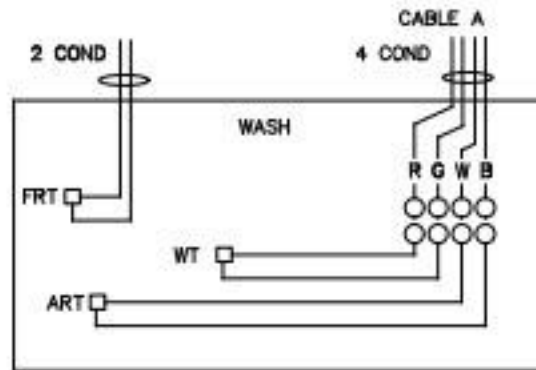
**Champlon**  
The Dishwashing Machine Specialists

90/180 DEGREE  
RACK ADVANCE E SERIES

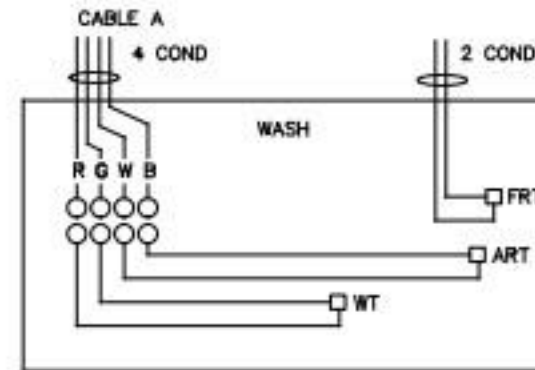
A 702375 REV. 0

# E44/54DR RACK MACHINE THERMISTOR WIRING

RIGHT TO LEFT

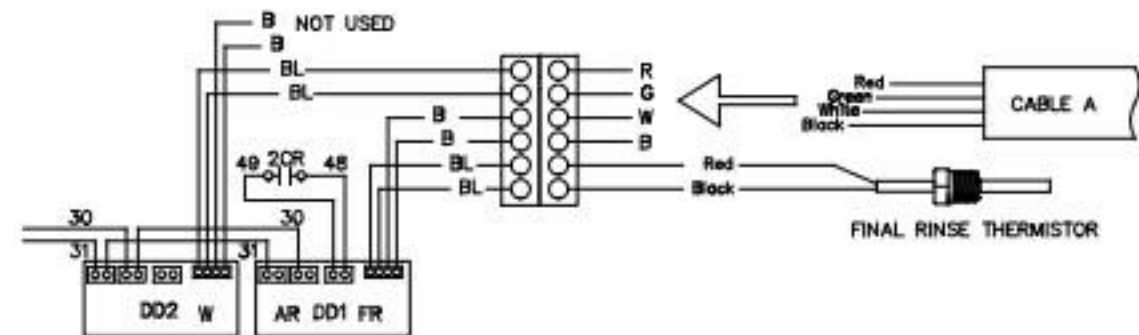
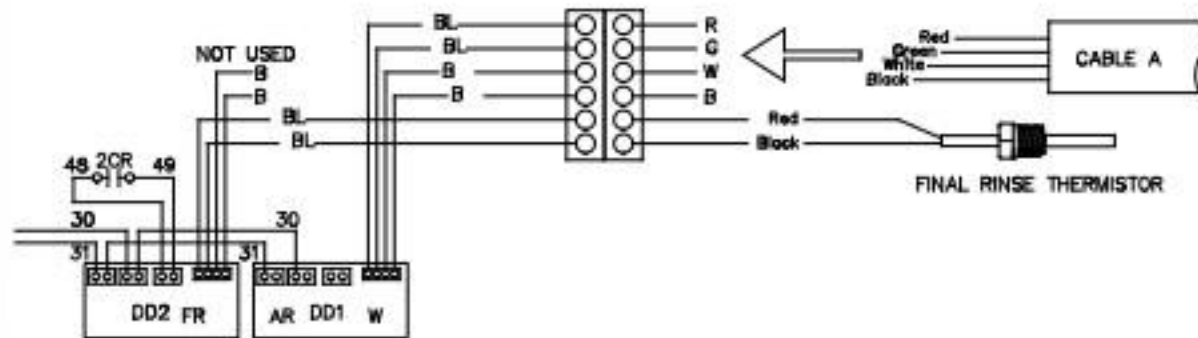


LEFT TO RIGHT



MACHINE CONNECTIONS

CONTROL CABINET CONNECTIONS



DD1	DIGITAL DISPLAY 1
DD2	DIGITAL DISPLAY 2
2CR	FINAL RINSE RELAY
AR	AUXILIARY RINSE
ART	AUXILIARY RINSE THERMISTOR
FR	FINAL RINSE
FRT	FINAL RINSE THERMISTOR
W	WASH
WT	WASH THERMISTOR

CUSTOMER TO SUPPLY RATED VOLTAGE/PHASE/Hz AS SPECIFIED PER ORDER TO DISCONNECT SWITCH. ALL POWER SUPPLIED TO EACH CONNECTION POINT MUST COMPLY WITH ALL LOCAL ELECTRIC CODES.			
DR. BY	JMCAULISTER	SCALE	NONE
DATE	08APR09	SHEET	1 OF 1

REV.	DESCRIPTION	DATE	BY
A	CHANGED LAYOUT TO ACCOMMODATE LABELS	4/7/11	ML

REV.	DESCRIPTION	DATE	BY

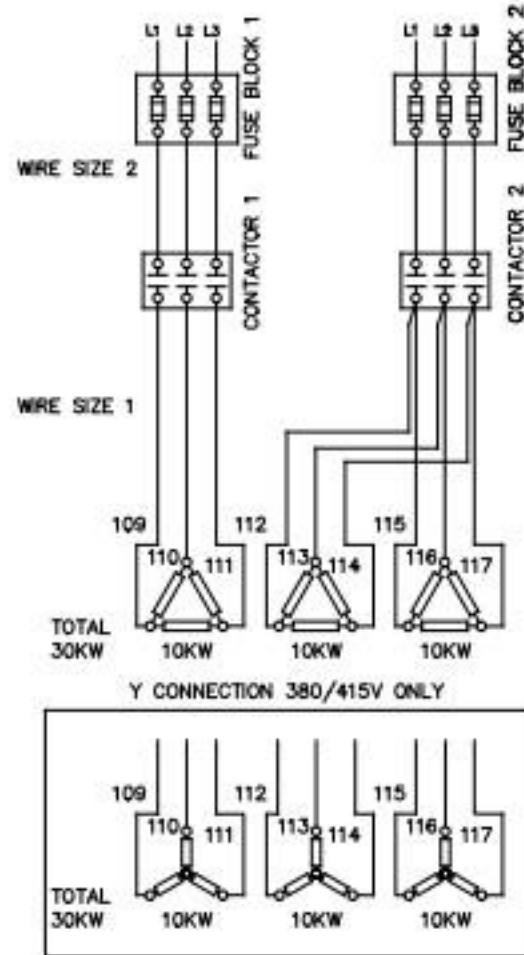
**Champlon**  
The Dishwashing Machine Specialists

E44/54DR RACK MACHINE THERMISTOR WIRING DIAGRAM	
B	702137
REV.	A

\*\*

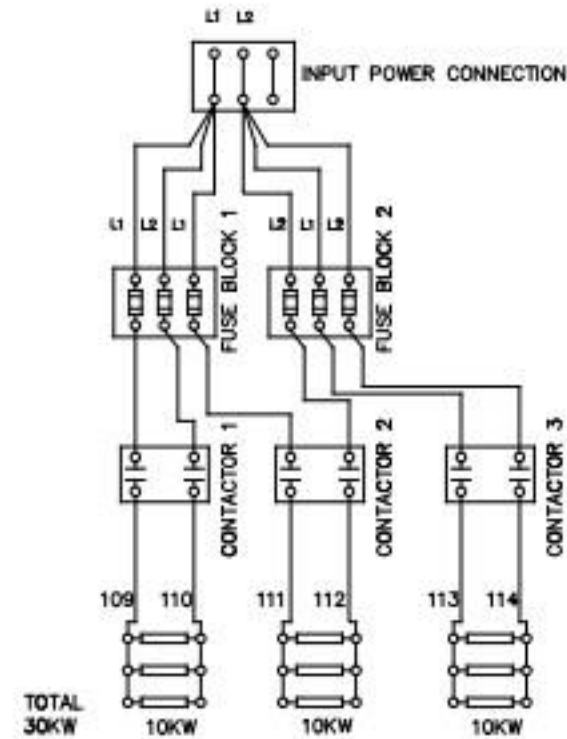
# E RACK 30KW HEAT RECOVERY BOOSTER HEATER

3 PHASE CONNECTION



CANISTER 1 KW/CANISTER 30KW			
VOLTAGE	208V	10KW	20KW
KW/CONTACTOR	1	10KW	20KW
CONTACTOR RATING	60A	60A	60A
FUSE BLOCK #	1	35A	60A
FUSE RATING	#	35A	60A
WIRE SIZE 1	#10	#10	#10
WIRE SIZE 2	#10	#10	#8
CANISTER 1 KW/CANISTER 30KW			
VOLTAGE	240V	10KW	20KW
KW/CONTACTOR	1	10KW	20KW
CONTACTOR RATING	60A	60A	60A
FUSE BLOCK #	1	30A	60A
FUSE RATING	#	30A	60A
WIRE SIZE 1	#10	#10	#10
WIRE SIZE 2	#10	#10	#8
CANISTER 1 KW/CANISTER 30KW			
VOLTAGE	380V	10KW	20KW
KW/CONTACTOR	1	10KW	20KW
CONTACTOR RATING	60A	60A	60A
FUSE BLOCK #	1	20A	45A
FUSE RATING	#	20A	45A
WIRE SIZE 1	#12	#12	#12
WIRE SIZE 2	#12	#12	#10
CANISTER 1 KW/CANISTER 30KW			
VOLTAGE	415V	10KW	20KW
KW/CONTACTOR	1	10KW	20KW
CONTACTOR RATING	60A	60A	60A
FUSE BLOCK #	1	20A	35A
FUSE RATING	#	20A	35A
WIRE SIZE 1	#12	#12	#12
WIRE SIZE 2	#12	#12	#10
CANISTER 1 KW/CANISTER 30KW			
VOLTAGE	480V	10KW	20KW
KW/CONTACTOR	1	10KW	20KW
CONTACTOR RATING	60A	60A	60A
FUSE BLOCK #	1	15A	30A
FUSE RATING	#	15A	30A
WIRE SIZE 1	#12	#12	#12
WIRE SIZE 2	#12	#12	#10
CANISTER 1 KW/CANISTER 30KW			
VOLTAGE	575V	10KW	20KW
KW/CONTACTOR	1	10KW	20KW
CONTACTOR RATING	60A	60A	60A
FUSE BLOCK #	1	15A	25A
FUSE RATING	#	15A	25A
WIRE SIZE 1	#12	#12	#12
WIRE SIZE 2	#12	#12	#12

1 PHASE CONNECTION



CANISTER 1 KW/CANISTER 30KW			
VOLTAGE	200-220V	10KW	10KW
KW/CONTACTOR	1	10KW	10KW
CONTACTOR RATING	60A	60A	60A
FUSE BLOCK #	1	60A	60A
FUSE RATING	#	60A	60A
WIRE SIZE	#8	#8	#8
CANISTER 1 KW/CANISTER 30KW			
VOLTAGE	230-240V	10KW	10KW
KW/CONTACTOR	1	10KW	10KW
CONTACTOR RATING	60A	60A	60A
FUSE BLOCK #	1	50A	50A
FUSE RATING	#	50A	50A
WIRE SIZE	#8	#8	#8

PN: 702370

CUSTOMER TO SUPPLY RATED VOLTAGE/PHASE/Hz AS SPECIFIED PER ORDER TO DISCONNECT SWITCH. ALL POWER SUPPLIED TO EACH CONNECTION POINT MUST COMPLY WITH ALL LOCAL ELECTRIC CODES.  
 DR. BY JMCALLISTER/SCALE  
 DATE 30NOV11 SHEET 1 OF 1

REV.	DESCRIPTION	DATE	BY

REV.	DESCRIPTION	DATE	BY

**Champlon**  
 The Dishwashing Machine Specialists

E RACK 30KW BOOSTER FOR HEAT RECOVERY  
 B 702370 REV.

# E SERIES RACK MACHINE INTERNAL BOOSTER HEATER WIRING

## 24 KW BOOSTER HEATER

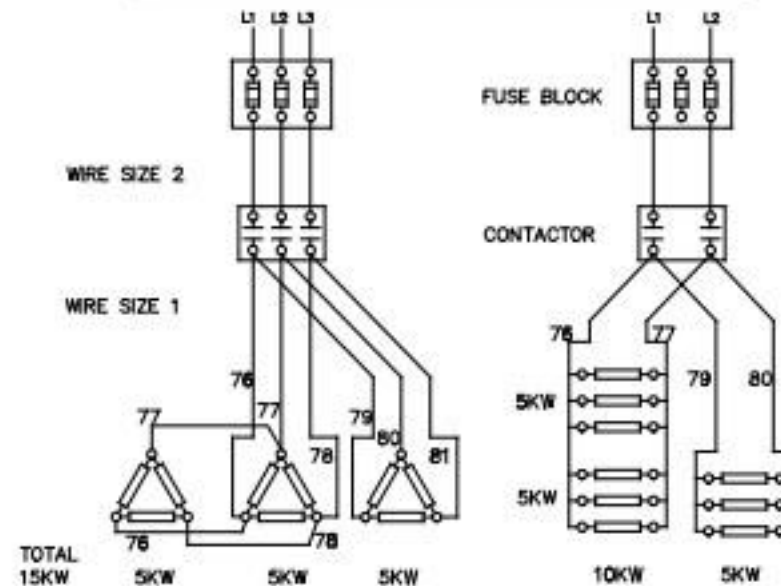
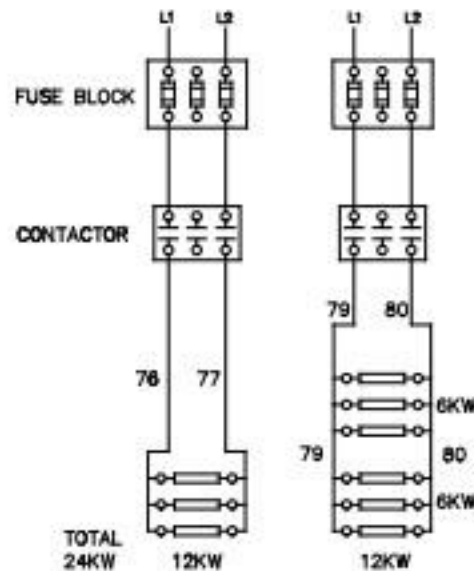
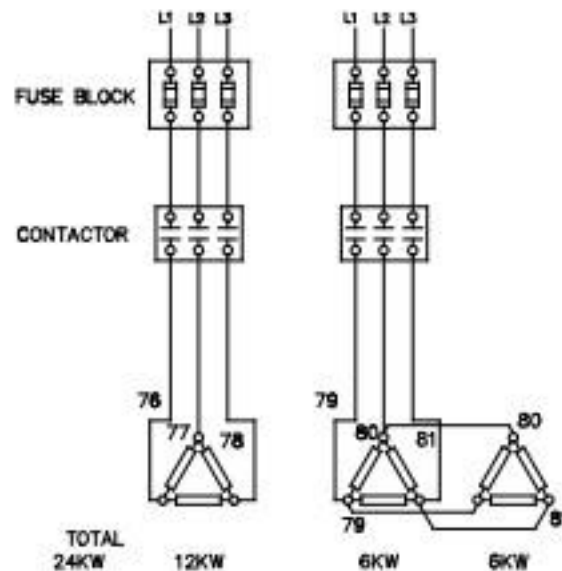
VOLTAGE 208V TOTAL KW KW/CONTACTOR CONTACTOR # CONTACTOR RATING WIRE SIZE FUSE RATING	24KW 12KW 2 1 60A 8 45A	DELTA
VOLTAGE 240V TOTAL KW KW/CONTACTOR CONTACTOR # CONTACTOR RATING WIRE SIZE FUSE RATING	24KW 12KW 2 1 60A 10 35A	DELTA
VOLTAGE 380V TOTAL KW KW/CONTACTOR CONTACTOR # CONTACTOR RATING WIRE SIZE FUSE RATING	24KW 12KW 2 1 60A 12 25A	WYE (NOT SHOWN)
VOLTAGE 415V TOTAL KW KW/CONTACTOR CONTACTOR # CONTACTOR RATING WIRE SIZE FUSE RATING	24KW 12KW 2 1 60A 12 25A	WYE (NOT SHOWN)
VOLTAGE 480V TOTAL KW KW/CONTACTOR CONTACTOR # CONTACTOR RATING WIRE SIZE FUSE RATING	24KW 12KW 2 1 60A 12 20A	DELTA
VOLTAGE 575V TOTAL KW KW/CONTACTOR CONTACTOR # CONTACTOR RATING WIRE SIZE FUSE RATING	24KW 12KW 2 1 60A 12 15A	DELTA

## 24 KW BOOSTER HEATER

VOLTAGE 208V TOTAL KW KW/CONTACTOR CONTACTOR # CONTACTOR RATING WIRE SIZE FUSE RATING	24KW 12KW 2 1 75A 6 70A	SINGLE PHASE
VOLTAGE 240V TOTAL KW KW/CONTACTOR CONTACTOR # CONTACTOR RATING WIRE SIZE FUSE RATING	24KW 12KW 2 1 60A 6 60A	SINGLE PHASE

## 15 KW BOOSTER HEATER

VOLTAGE 208V TOTAL KW KW/CONTACTOR CONTACTOR # CONTACTOR RATING WIRE SIZE FUSE RATING	15KW 15KW 1 1 60A 10 50A	DELTA	SINGLE PHASE 15KW 15KW 1 1 75A 8 90A
VOLTAGE 240V TOTAL KW KW/CONTACTOR CONTACTOR # CONTACTOR RATING WIRE SIZE FUSE RATING	15KW 15KW 1 1 60A 10 45A	DELTA	SINGLE PHASE 15KW 15KW 1 1 75A 8 80A
VOLTAGE 380V TOTAL KW KW/CONTACTOR CONTACTOR # CONTACTOR RATING WIRE SIZE FUSE RATING	15KW 15KW 1 1 60A 12 30A	WYE (NOT SHOWN)	
VOLTAGE 415V TOTAL KW KW/CONTACTOR CONTACTOR # CONTACTOR RATING WIRE SIZE FUSE RATING	15KW 15KW 1 1 60A 12 30A	WYE (NOT SHOWN)	
VOLTAGE 480V TOTAL KW KW/CONTACTOR CONTACTOR # CONTACTOR RATING WIRE SIZE FUSE RATING	15KW 15KW 1 1 60A 12 25A	DELTA	
VOLTAGE 575V TOTAL KW KW/CONTACTOR CONTACTOR # CONTACTOR RATING WIRE SIZE FUSE RATING	15KW 15KW 1 1 60A 12 20A	DELTA	



PN: 114038 REV C

CUSTOMER TO SUPPLY RATED VOLTAGE/PHASE/Hz AS SPECIFIED PER ORDER TO DISCONNECT SWITCH. ALL POWER SUPPLIED TO EACH CONNECTION POINT MUST COMPLY WITH ALL LOCAL ELECTRIC CODES.			
DR. BY	JM CALLISTER	SCALE	NONE
DATE	5NOV04	SHEET	1 OF 1

REV.	DESCRIPTION	DATE	BY
A	CHANGE HEATER CONFIGURATION	23MAR06	JAM
B	MODIFIED HEATER CONNECTIONS FOR THIRD HEATER	10MAY07	JAM

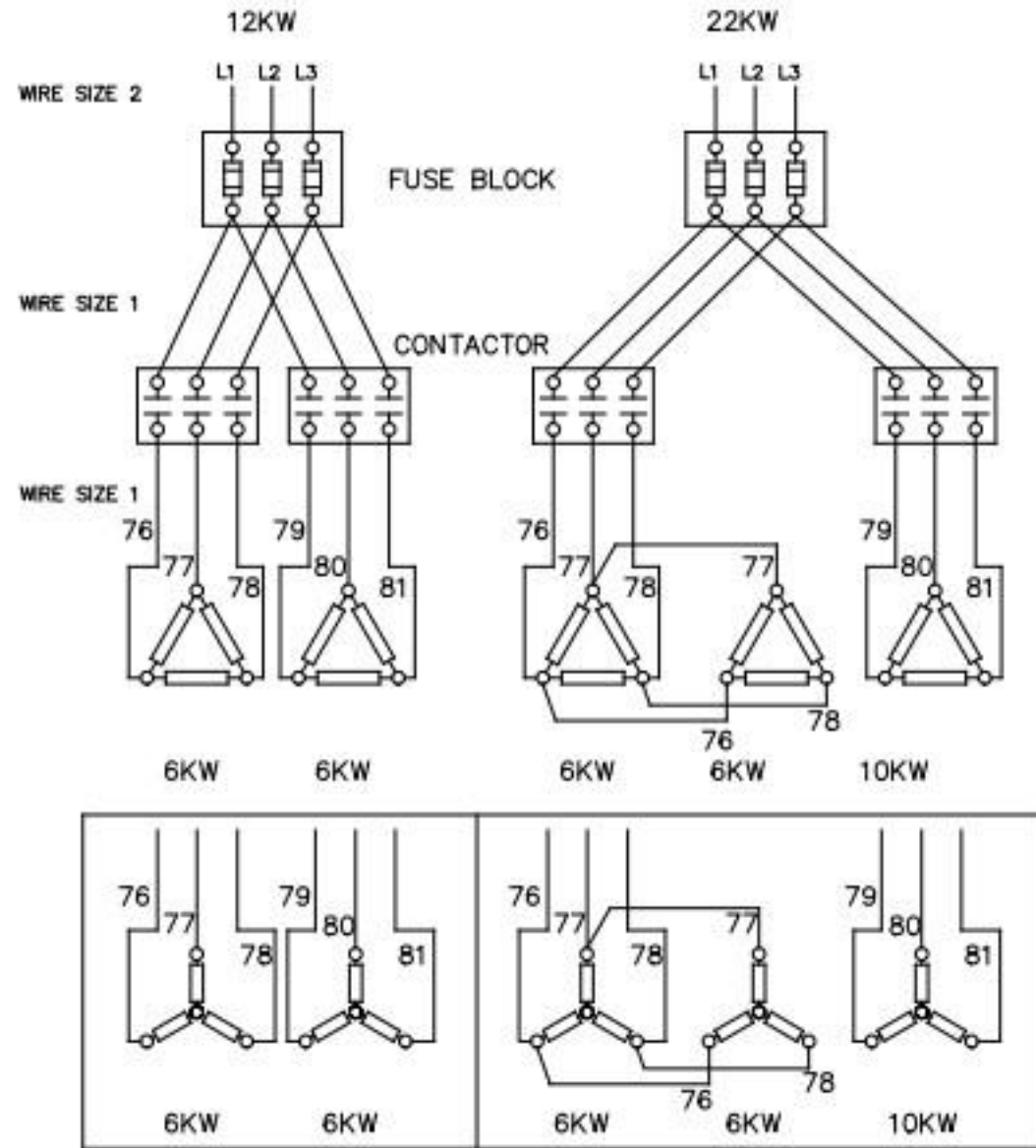
REV.	DESCRIPTION	DATE	BY

**Champlon**  
The Dishwashing Machine Specialists

INTERNAL BOOSTER HEAT E SERIES RACK CONVEYOR MACHINES		
B	701914	REV. B

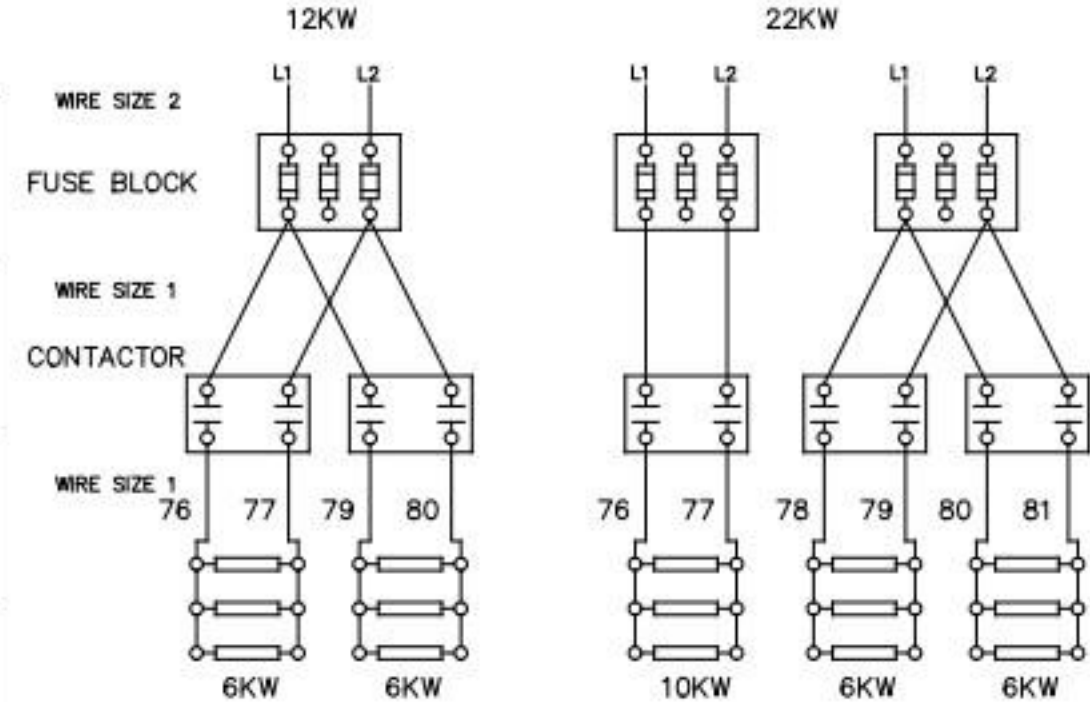
# E SERIES RACK MACHINE DOUBLE RINSE BOOSTER HEATER CONNECTIONS

## 3 PHASE CONNECTION



Y CONNECTION 380/415V

## 1 PHASE CONNECTION



VOLTAGE 200-220V	12KW	22KW
KW/CONTACTOR	6KW	10/12KW
CONTACTOR RATING	60A	60A
FUSE RATING	45A	80A
WIRE SIZE 1	#8	#8
WIRE SIZE 2	#4	#4
VOLTAGE 230-240V	12KW	22KW
KW/CONTACTOR	6KW	10/12KW
CONTACTOR RATING	60A	60A
FUSE RATING	40A	70A
WIRE SIZE 1	#10	#10
WIRE SIZE 2	#6	#6
VOLTAGE 380V	12KW	22KW
KW/CONTACTOR	6KW	10/12KW
CONTACTOR RATING	60A	60A
FUSE RATING	25A	40A
WIRE SIZE 1	#12	#12
WIRE SIZE 2	#10	#10
VOLTAGE 415V	12KW	22KW
KW/CONTACTOR	6KW	10/12KW
CONTACTOR RATING	60A	60A
FUSE RATING	25A	40A
WIRE SIZE 1	#12	#12
WIRE SIZE 2	#10	#10
VOLTAGE 440V	12KW	22KW
KW/CONTACTOR	6KW	10/12KW
CONTACTOR RATING	60A	60A
FUSE RATING	20A	35A
WIRE SIZE 1	#12	#12
WIRE SIZE 2	#10	#10
VOLTAGE 480V	12KW	22KW
KW/CONTACTOR	6KW	10/12KW
CONTACTOR RATING	60A	60A
FUSE RATING	20A	35A
WIRE SIZE 1	#12	#12
WIRE SIZE 2	#10	#10
VOLTAGE 575V	12KW	22KW
KW/CONTACTOR	6KW	10/12KW
CONTACTOR RATING	60A	60A
FUSE RATING	15A	30A
WIRE SIZE 1	#12	#12
WIRE SIZE 2	#12	#12

VOLTAGE 200-220V	12KW
KW/CONTACTOR	6KW
CONTACTOR RATING	60A
FUSE RATING	70A
WIRE SIZE 1	#8
WIRE SIZE 2	#6
VOLTAGE 230-240V	12KW
KW/CONTACTOR	6KW
CONTACTOR RATING	60A
FUSE RATING	60A
WIRE SIZE 1	#10
WIRE SIZE 2	#6

VOLTAGE 200-220V	10KW	12KW
KW/CONTACTOR	10KW	6KW
CONTACTOR RATING	60	60A
FUSE RATING	60A	70A
WIRE SIZE 1	#8	#8
WIRE SIZE 2	#6	#6
VOLTAGE 230-240V	10KW	12KW
KW/CONTACTOR	10KW	6KW
CONTACTOR RATING	60A	60A
FUSE RATING	60A	60A
WIRE SIZE 1	#8	#10
WIRE SIZE 2	#8	#8

PN: 114039 REV D

CUSTOMER TO SUPPLY RATED VOLTAGE/PHASE/Hz AS SPECIFIED PER ORDER TO DISCONNECT SWITCH. ALL POWER SUPPLIED TO EACH CONNECTION POINT MUST COMPLY WITH ALL LOCAL ELECTRIC CODES.  
DR. BY J.MCALLISTER/SCALE  
DATE 05JAN05 SHEET 1 OF 1

REV.	DESCRIPTION	DATE	BY
A	CHANGED WIRE SIZE FOR 12 KW BOOSTER HEATERS	01MAY05	JAM
B	CHANGED 12 KW HEATER TO TWO 6KW HEATERS	16MAY05	JAM
C	ADDED 22 KW SINGLE PHASE HEATERS	27JUN09	JAM

REV.	DESCRIPTION	DATE	BY
D	CHANGED 240V 22KW BSTR FUSE SIZE 70 AMPS TO MATCH BULLDOG MV12	11OCT14	JAM
E	ADDED HEATER REQUIREMENTS FOR 440V THREE PHASE	27OCT14	JAM

**Champlon**  
The Dishwashing Machine Specialists

BOOSTER TANK HEAT FOR DOUBLE RINSE  
E SERIES RACK CONVEYOR MACHINES

B 701945 REV. E

✱✱

**MODELS COVERED BY THIS DRAWING**

EB4	EB4
E64PW	106PW
90FFPW	120E6PW

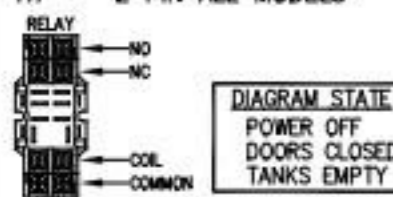
**NOTES:**

1. WHEN TABLE LIMIT SWITCH IS USED REMOVE JUMPER AND CONNECT LEADS BETWEEN WIRES 3 AND 11 ON TERMINAL BLOCK IN PANEL.
2. 4TH POLE USED FOR NEUTRAL ON THREE PHASE 5 WIRE SYSTEM ONLY.

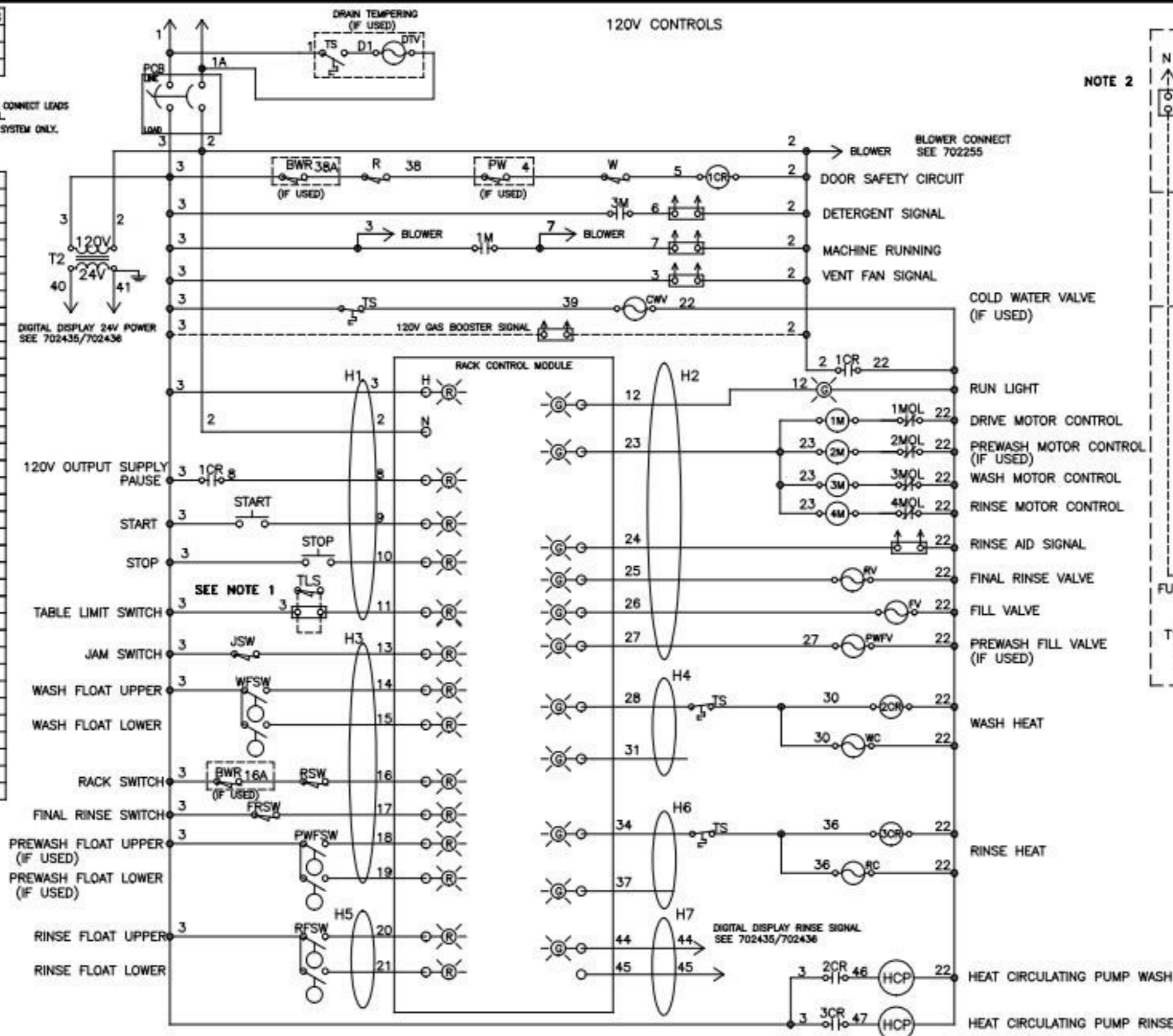
1CR	DOOR SAFETY RELAY
1M	DRIVE MOTOR CONTACTOR
1MOL	DRIVE MOTOR OVERLOAD
2CR	WASH HEAT RELAY
2M	PREWASH MOTOR CONTACTOR
2MOL	PREWASH MOTOR OVERLOAD
3CR	RINSE HEAT RELAY
3M	WASH MOTOR CONTACTOR
3MOL	WASH MOTOR OVERLOAD
4M	RINSE MOTOR CONTACTOR
4MOL	RINSE MOTOR OVERLOAD
BWR	BLOWER
CWV	COLD WATER VALVE
DTV	DRAIN TEMPERING VALVE
FRSW	FINAL RINSE SWITCH
FU	FUSE/FUSE BLOCK
FV	FILL VALVE
GB1	GAS BOOSTER RELAY
HCP	HEAT CIRCULATING PUMP
HLTS	HIGH LIMIT THERMOSTAT
JSW	JAM SWITCH
PCB	POWER SWITCH/CIRCUIT BREAKER
PW	PREWASH DOOR SWITCH
PWFV	PREWASH FILL VALVE
PWFSW	PREWASH TANK FLOAT SWITCH
R	RINSE DOOR SWITCH
RC	RINSE HEAT HOT WATER VALVE
RFSW	RINSE FLOAT SWITCH
RSW	RACK SWITCH
RV	RINSE VALVE
T1	CONTROL TRANSFORMER 120 V
T2	CONTROL TRANSFORMER 24 V
TLS	TABLE LIMIT SWITCH
TS	THERMOSTAT
W	WASH DOOR SWITCH
WC	WASH HEAT HOT WATER VALVE
WFSW	WASH TANK FLOAT SWITCH

**HARNESSE ASSEMBLIES**

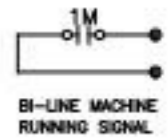
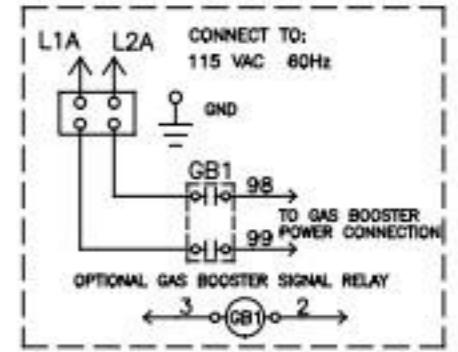
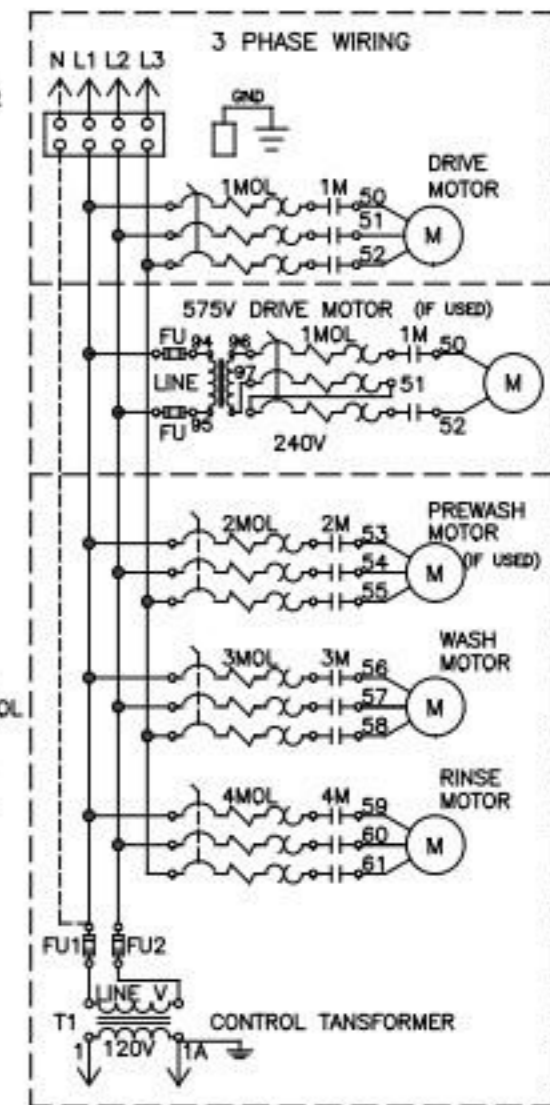
- H1 - 6 PIN ALL MODELS
- H2 - 6 PIN ALL MODELS
- H3 - 8 PIN ALL MODELS
- H4 - 2 PIN ALL MODELS
- H5 - 2 PIN ALL MODELS
- H6 - 2 PIN ALL MODELS
- H7 - 2 PIN ALL MODELS



CUSTOMER TO SUPPLY RATED VOLTAGE/PHASE/Hz AS SPECIFIED PER ORDER TO DISCONNECT SWITCH. ALL POWER SUPPLIED TO EACH CONNECTION POINT MUST COMPLY WITH ALL LOCAL ELECTRIC CODES.  
 DR. BY J.MCALLISTER SCALE NONE  
 DATE 30JAN13 SHEET 1 OF 1



**NOTE 2**



REV.	DESCRIPTION	DATE	BY
A	REVISION FOR RELEASE TO PRODUCTION	30JAN13	JAM
B	ADDED DOOR SWITCH AND RACK SWITCH FOR BLOWER	18MAR14	JAM

REV.	DESCRIPTION	DATE	BY

**Champlon**  
 The Dishwashing Machine Specialists

E64/E64PW RACK MACHINE  
 HOT WATER HEAT  
**B702376-2** REV. B

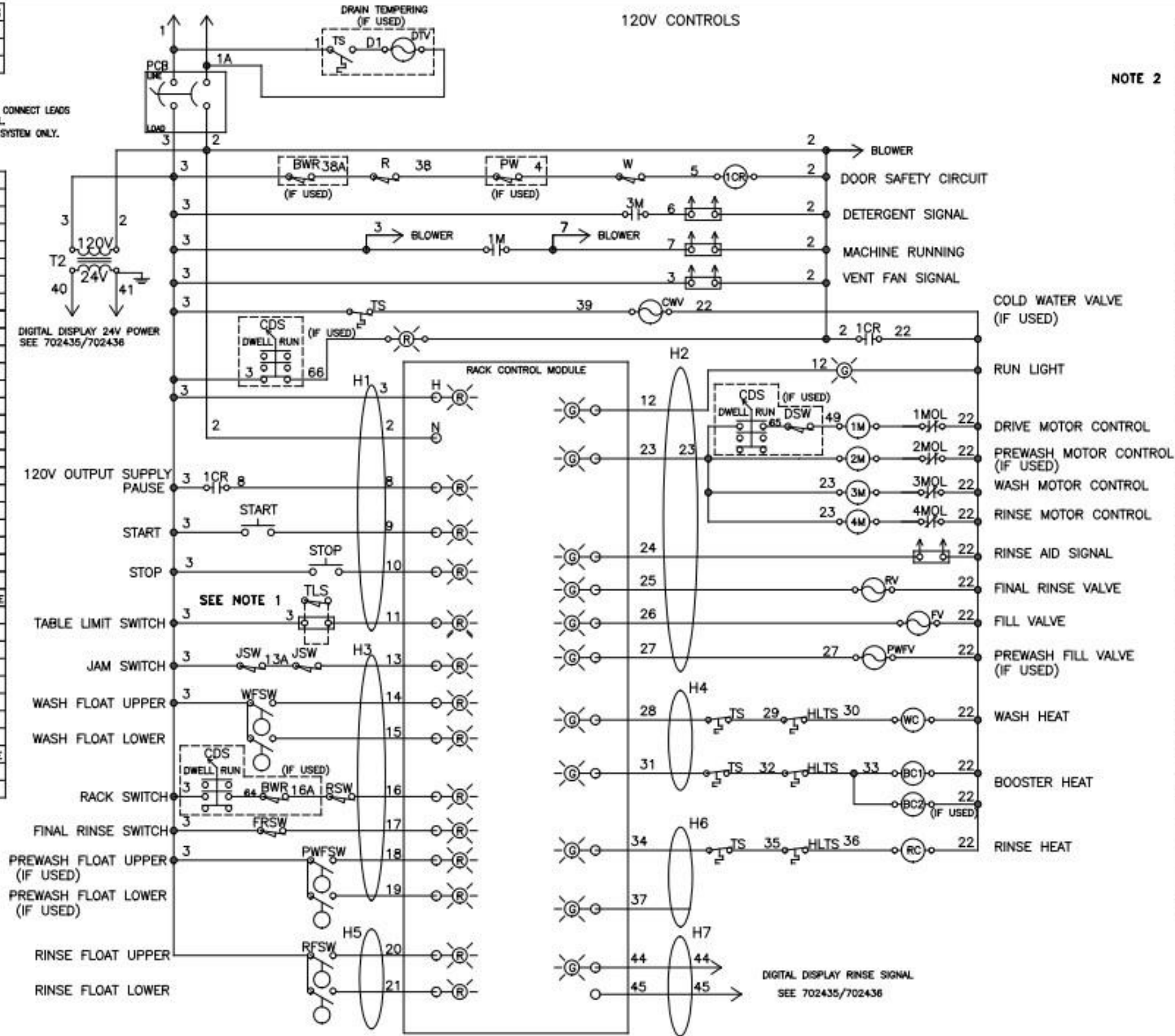
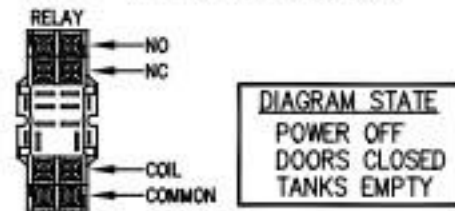
MODELS COVERED BY THIS DRAWING	
E64	E64
E64PW	106PW
90FFPW	120HDPW

**NOTES:**

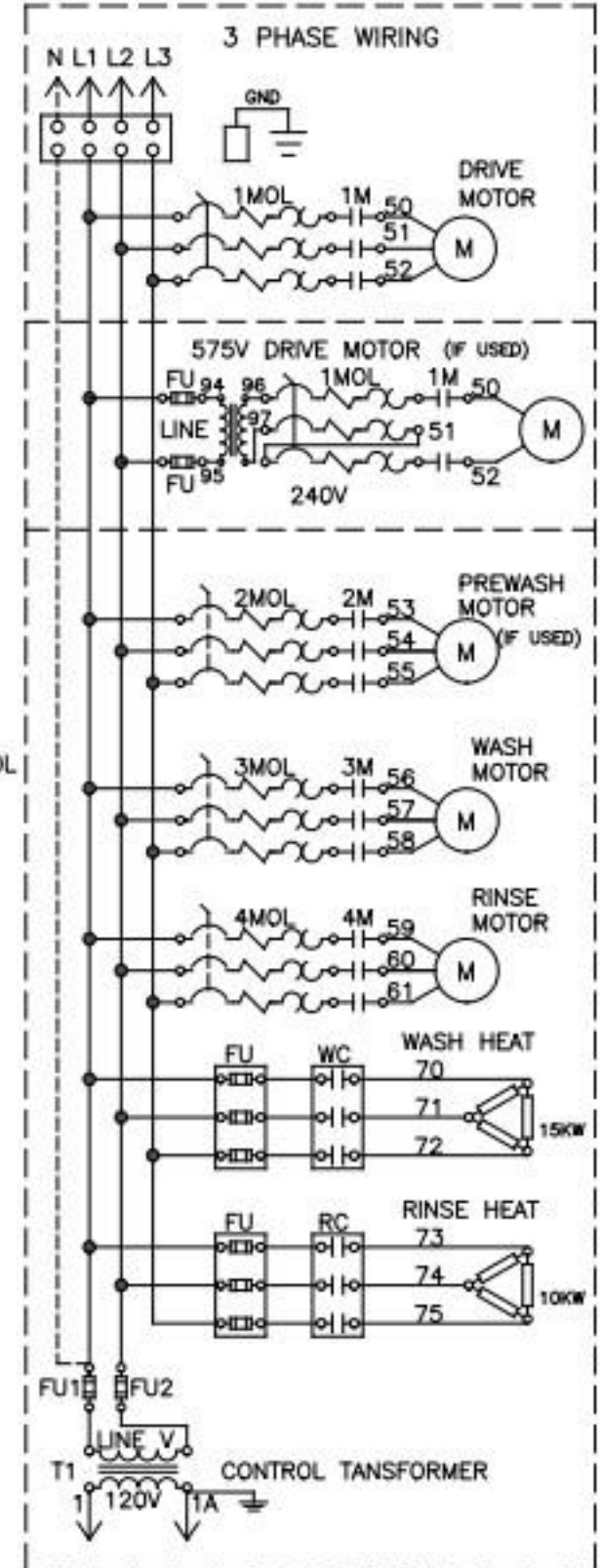
1. WHEN TABLE LIMIT SWITCH IS USED REMOVE JUMPER AND CONNECT LEADS BETWEEN WIRES 3 AND 11 ON TERMINAL BLOCK IN PANEL.
2. 4TH POLE USED FOR NEUTRAL ON THREE PHASE 5 WIRE SYSTEM ONLY.

1CR	DOOR SAFETY RELAY
1M	DRIVE MOTOR CONTACTOR
1MOL	DRIVE MOTOR OVERLOAD
2M	PREWASH MOTOR CONTACTOR
2MOL	PREWASH MOTOR OVERLOAD
3M	WASH MOTOR CONTACTOR
3MOL	WASH MOTOR OVERLOAD
4M	RINSE MOTOR CONTACTOR
4MOL	RINSE MOTOR OVERLOAD
BC-	BOOSTER CONTACTOR/STEAM VALVE
BWR	BLOWER
CDS	CONVEYOR DWELL SWITCH
DSW	DRIVE SWITCH (FRONT FEED ONLY)
DTV	DRAIN TEMPERING VALVE
FRSW	FINAL RINSE SWITCH
FU	FUSE/FUSE BLOCK
FV	FILL VALVE
HLTS	HIGH LIMIT THERMOSTAT
JSW	JAM SWITCH
PCB	POWER SWITCH/CIRCUIT BREAKER
PW	PREWASH DOOR SWITCH
PWFV	PREWASH FILL VALVE
PWFSW	PREWASH TANK FLOAT SWITCH
R	RINSE DOOR SWITCH
RC	RINSE HEAT CONTACTOR/STEAM VALVE
RFSW	RINSE FLOAT SWITCH
RSW	RACK SWITCH
RV	RINSE VALVE
T1	CONTROL TRANSFORMER 120 V
T2	CONTROL TRANSFORMER 24 V
TLS	TABLE LIMIT SWITCH
TS	THERMOSTAT
W	WASH DOOR SWITCH
WC	WASH HEAT CONTACTOR/STEAM VALVE
WFSW	WASH TANK FLOAT SWITCH

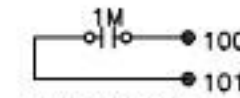
- HARNESS ASSEMBLIES**
- H1 - 6 PIN ALL MODELS
  - H2 - 6 PIN ALL MODELS
  - H3 - 8 PIN ALL MODELS
  - H4 - 2 PIN ALL MODELS
  - H5 - 2 PIN ALL MODELS
  - H6 - 2 PIN ALL MODELS
  - H7 - 2 PIN ALL MODELS



**NOTE 2**



BLOWER CONNECT SEE 702255



CUSTOMER TO SUPPLY RATED VOLTAGE/PHASE/Hz. AS SPECIFIED PER ORDER TO DISCONNECT SWITCH. ALL POWER SUPPLIED TO EACH CONNECTION POINT MUST COMPLY WITH ALL LOCAL ELECTRIC CODES.  
 DR. BY J.MCALLISTER SCALE NONE  
 DATE 27MAR12 SHEET 1 OF 1

REV.	DESCRIPTION	DATE	BY
A	REVISION FOR RELEASE TO PRODUCTION	26SEP12	JAM
B	ADDED DRIVE SWITCH FOR FRONT FEED MACHINES	03MAR14	JAM
C	ADDED DOOR SWITCH AND RACK SWITCH FOR BLOWER	18MAR14	JAM

REV.	DESCRIPTION	DATE	BY
D	ADDED CONVEYOR DWELL SWITCH	24JUN14	JAM
E	ADDED SECOND JAM SWITCH FOR NRA TABLE	13AUG14	JAM

**Champlon**  
The Dishwashing Machine Specialists

E64/E64PW RACK MACHINE  
 STEAM OR ELECTRIC HEAT  
**B702376-1** REV. D

MODELS COVERED BY THIS DRAWING	
E44DR	ED4DR
E66DRPW	E76DRPW
E70DRFPW	B0FFDRPW

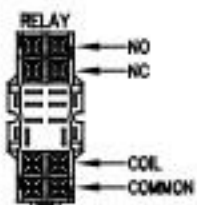
**NOTES:**

1. WHEN TABLE LIMIT SWITCH IS USED REMOVE JUMPER AND CONNECT LEADS BETWEEN WIRES 3 AND 11 ON TERMINAL BLOCK IN PANEL.
2. WHEN THE MACHINE HAS A SIDELOADER DRIVE MOTOR CONTACTOR IS CONNECTED TO WIRE #8.
3. 4TH POLE USED FOR NEUTRAL ON THREE PHASE 5 WIRE SYSTEM ONLY.

1CR	DOOR SAFETY RELAY
1M	DRIVE MOTOR CONTACTOR
1MOL	DRIVE MOTOR OVERLOAD
2CR	WASH HEAT RELAY
2M	PREWASH MOTOR CONTACTOR
2MOL	PREWASH MOTOR OVERLOAD
3M	WASH MOTOR CONTACTOR
3MOL	WASH MOTOR OVERLOAD
6M	DR MOTOR RELAY
BC	BOOSTER CONTACTOR/STEAM VALVE
CWV	COLD WATER VALVE
DTV	DRAIN TEMPERING VALVE
DC	DUAL RINSE HEAT CONTACTOR
FRSW	FINAL RINSE SWITCH
FU	FUSE/FUSE BLOCK
FV	FILL VALVE
GB1	GAS BOOSTER RELAY
HCP	HEAT CIRCULATING PUMP
HLTS	HIGH LIMIT THERMOSTAT
JSW	JAM SWITCH
PCB	POWER SWITCH/CIRCUIT BREAKER
PW	PREWASH DOOR SWITCH
PWFV	PREWASH FILL VALVE
PWFSW	PREWASH TANK FLOAT SWITCH
RC	RINSE HEAT CONTACTOR
RSW	RACK SWITCH
RV	RINSE VALVE
T1	CONTROL TRANSFORMER
TLS	TABLE LIMIT SWITCH
TS	THERMOSTAT
W	WASH DOOR SWITCH
WC	WASH HEAT CONTACTOR/STEAM VALVE
WFSW	WASH TANK FLOAT SWITCH

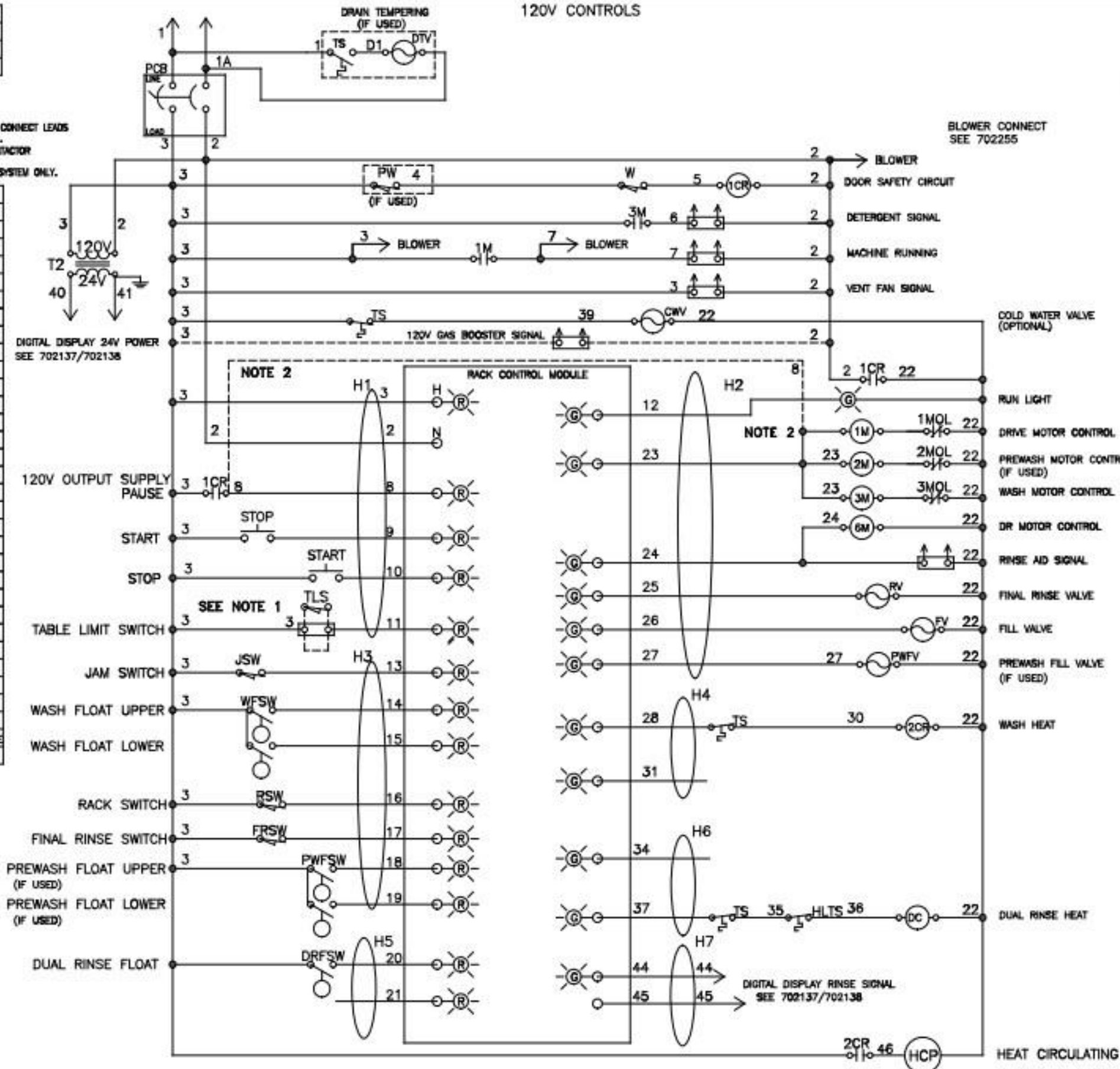
**HARNESS ASSEMBLIES**

- H1 - 6 PIN ALL MODELS
- H2 - 6 PIN ALL MODELS
- H3 - 8 PIN ALL MODELS
- H4 - 2 PIN ALL MODELS
- H5 - 2 PIN ALL MODELS
- H6 - 2 PIN ALL MODELS
- H7 - 2 PIN ALL MODELS

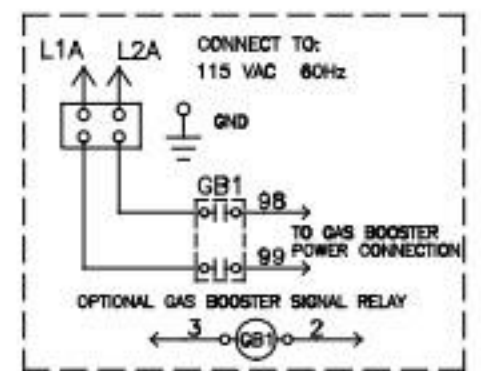
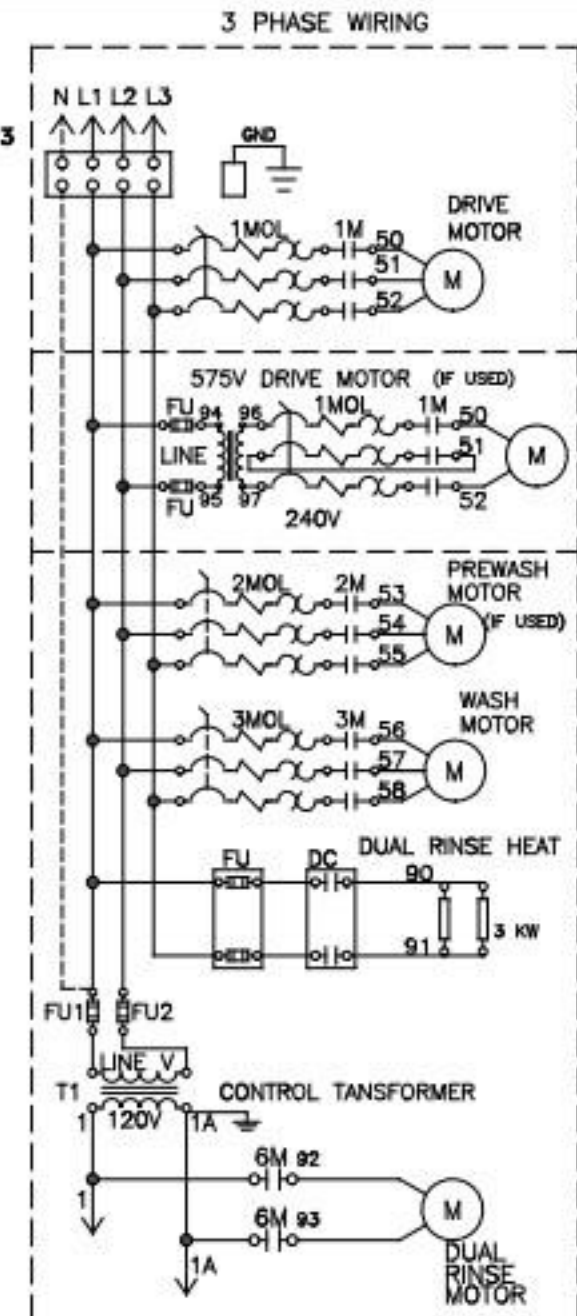


**DIAGRAM STATE**  
POWER OFF  
DOORS CLOSED  
TANKS EMPTY

**120V CONTROLS**



NOTE 3



REV.	DESCRIPTION	DATE	BY
A	REVISION FOR RELEASE TO PRODUCTION	30JAN13	JAM

REV.	DESCRIPTION	DATE	BY

**Champlon**  
The Dishwashing Machine Specialists

E44DR/E44DRPW RACK MACHINE  
HOT WATER HEAT  
B702385-2 REV. 0

**MODELS COVERED BY THIS DRAWING**

E66DRPW	E44DR
E76DRPW	E54DR

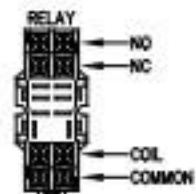
**NOTES:**

1. WHEN TABLE LIMIT SWITCH IS USED REMOVE JUMPER AND CONNECT LEADS BETWEEN WIRES 3 AND 11 ON TERMINAL BLOCK IN PANEL.
2. 4TH POLE USED FOR NEUTRAL ON THREE PHASE 5 WIRE SYSTEM ONLY.
3. NEUTRAL USED FOR DR HEAT ON THREE PHASE 5 WIRE SYSTEM.

1CR	DOOR SAFETY RELAY
1M	DRIVE MOTOR CONTACTOR
1MOL	DRIVE MOTOR OVERLOAD
2M	PREWASH MOTOR CONTACTOR
2MOL	PREWASH MOTOR OVERLOAD
3M	WASH MOTOR CONTACTOR
3MOL	WASH MOTOR OVERLOAD
6M	DR MOTOR RELAY
BC-	BOOSTER CONTACTOR/STEAM VALVE
BWR	BLOWER
CWV	COLD WATER VALVE
DC	DUAL RINSE HEAT CONTACTOR
DSW	DRIVE SWITCH (FRONT FEED ONLY)
DTV	DRAIN TEMPERING VALVE
FRSW	FINAL RINSE SWITCH
FU	FUSE/FUSE BLOCK
FV	FILL VALVE
HLTS	HIGH LIMIT THERMOSTAT
JSW	JAM SWITCH
PCB	POWER SWITCH/CIRCUIT BREAKER
PW	PREWASH DOOR SWITCH
PWFV	PREWASH FILL VALVE
PWFSW	PREWASH TANK FLOAT SWITCH
RC	RINSE HEAT CONTACTOR
RSW	RACK SWITCH
RV	RINSE VALVE
T1	CONTROL TRANSFORMER
TLS	TABLE LIMIT SWITCH
TS	THERMOSTAT
W	WASH DOOR SWITCH
WC	WASH HEAT CONTACTOR/STEAM VALVE
WFSW	WASH TANK FLOAT SWITCH

**HARNESS ASSEMBLIES**

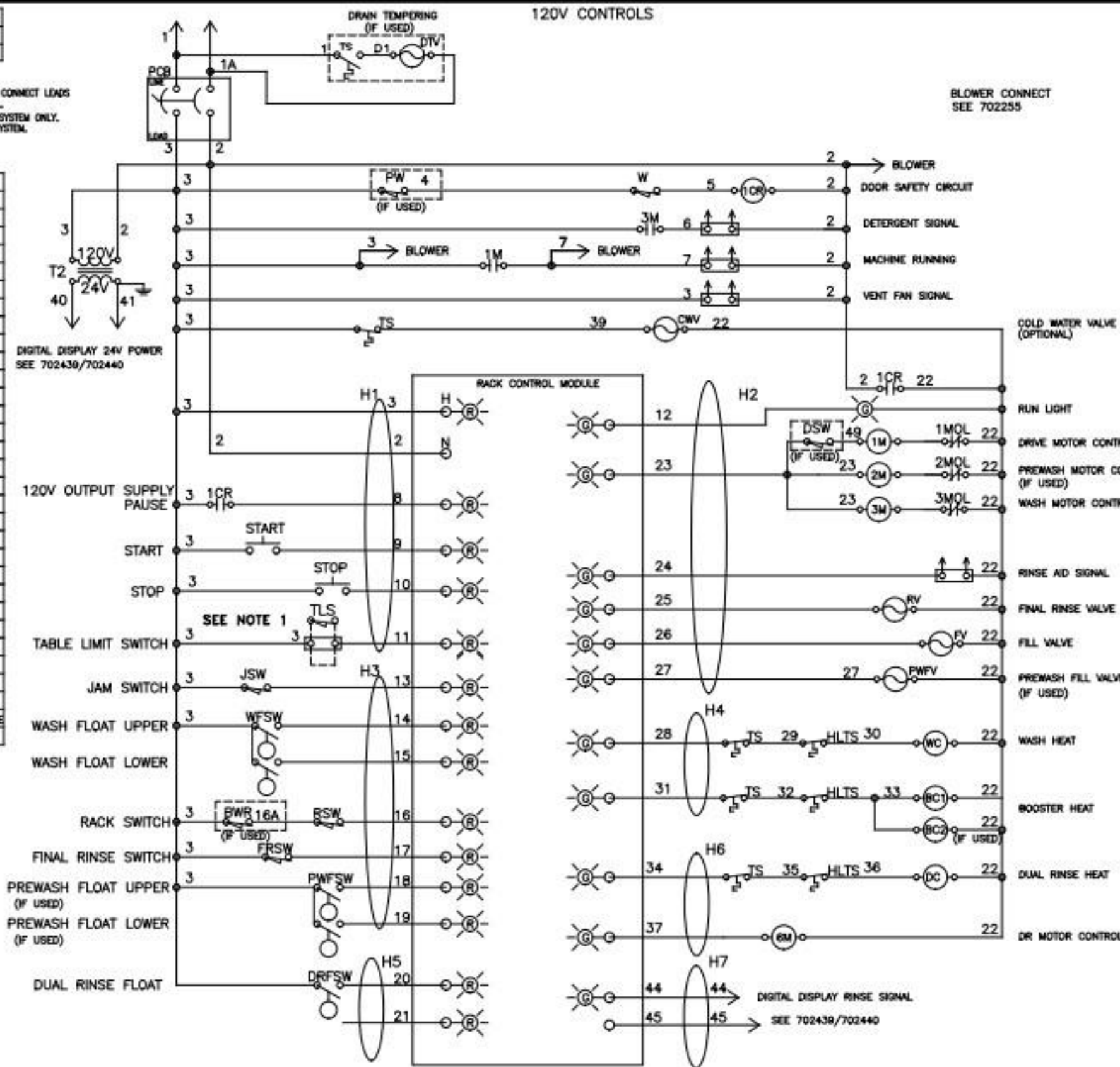
- H1 - 6 PIN ALL MODELS
- H2 - 6 PIN ALL MODELS
- H3 - 8 PIN ALL MODELS
- H4 - 2 PIN ALL MODELS
- H5 - 2 PIN ALL MODELS
- H6 - 2 PIN ALL MODELS
- H7 - 2 PIN ALL MODELS



**DIAGRAM STATE**  
POWER OFF  
DOORS CLOSED  
TANKS EMPTY

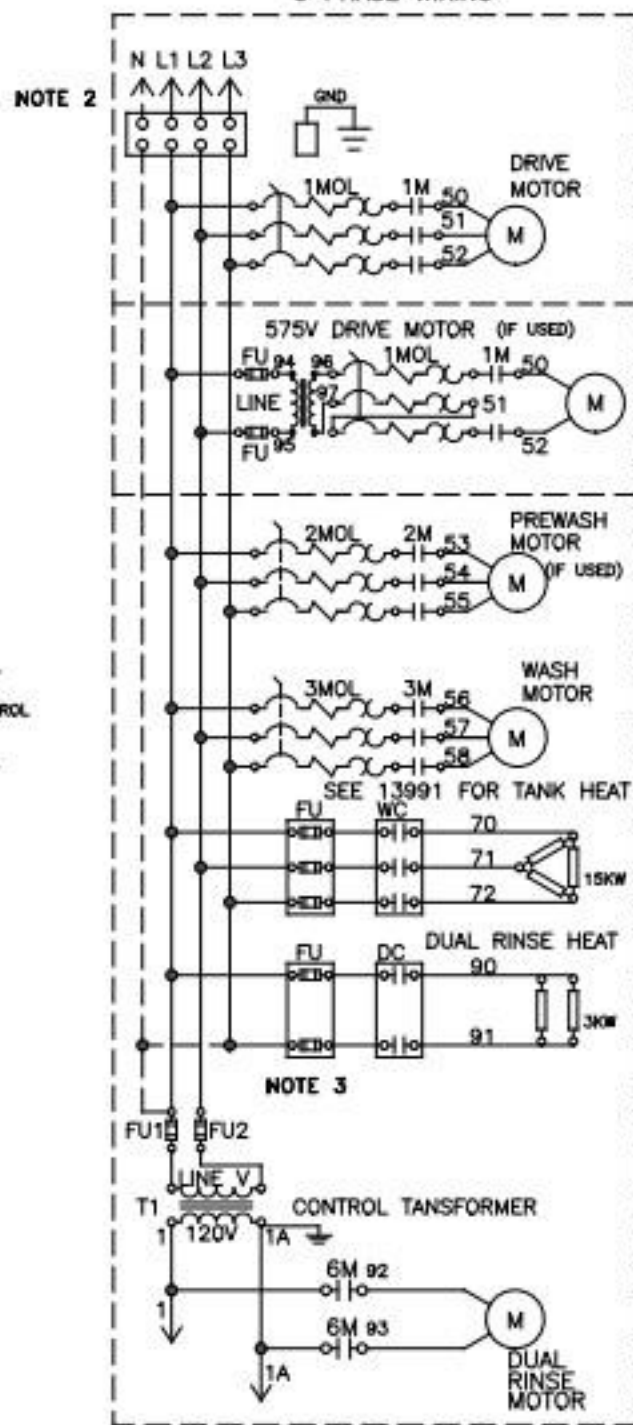
CUSTOMER TO SUPPLY RATED VOLTAGE/PHASE/Hz, AS SPECIFIED PER ORDER, TO DISCONNECT SWITCH. ALL POWER SUPPLIED TO EACH CONNECTION POINT MUST COMPLY WITH ALL LOCAL ELECTRIC CODES.  
DR BY J.MCALLISTER SCALE NONE  
DATE 11JUL12 SHEET 1 OF 1

**120V CONTROLS**



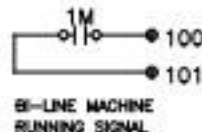
BLOWER CONNECT SEE 702255

**3 PHASE WIRING**



NOTE 2

NOTE 3



REV.	DESCRIPTION	DATE	BY
A	ADDED BILINE MACHINE RUNNING SIGNAL	19JAN14	JAM
B	ADDED DRIVE SWITCH FOR FRONT FEED MACHINES	03MAR14	JAM

REV.	DESCRIPTION	DATE	BY

**Champlon**  
The Dishwashing Machine Specialists

E44DR/E44DRPW RACK MACHINE  
ELECTRIC OR STEAM HEAT  
B702385-1 REV. B