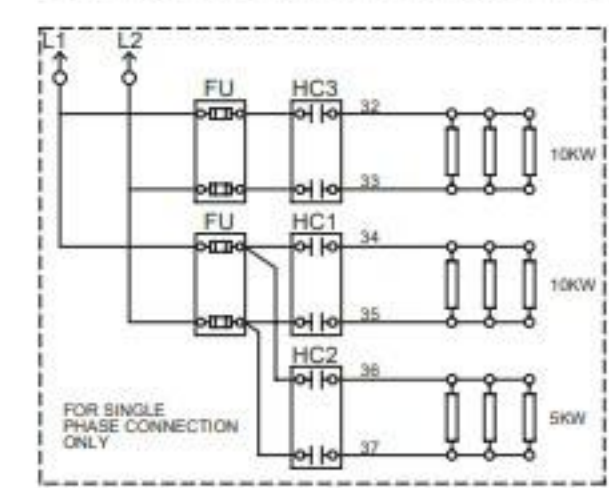
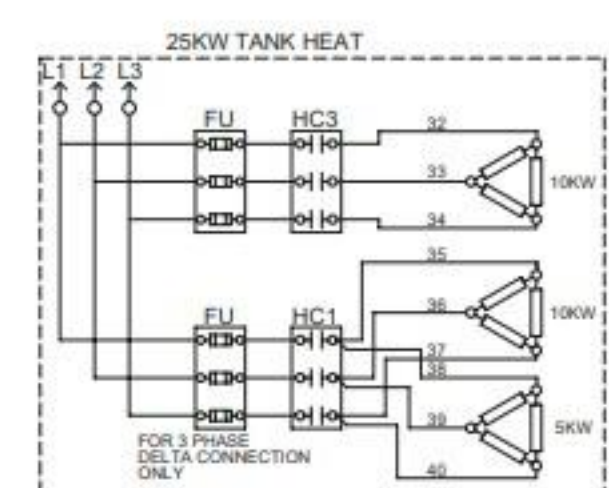
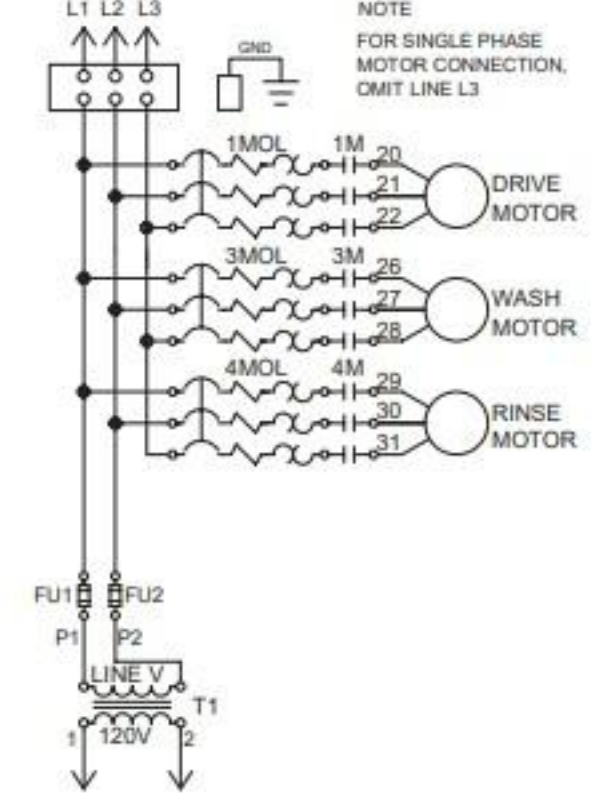
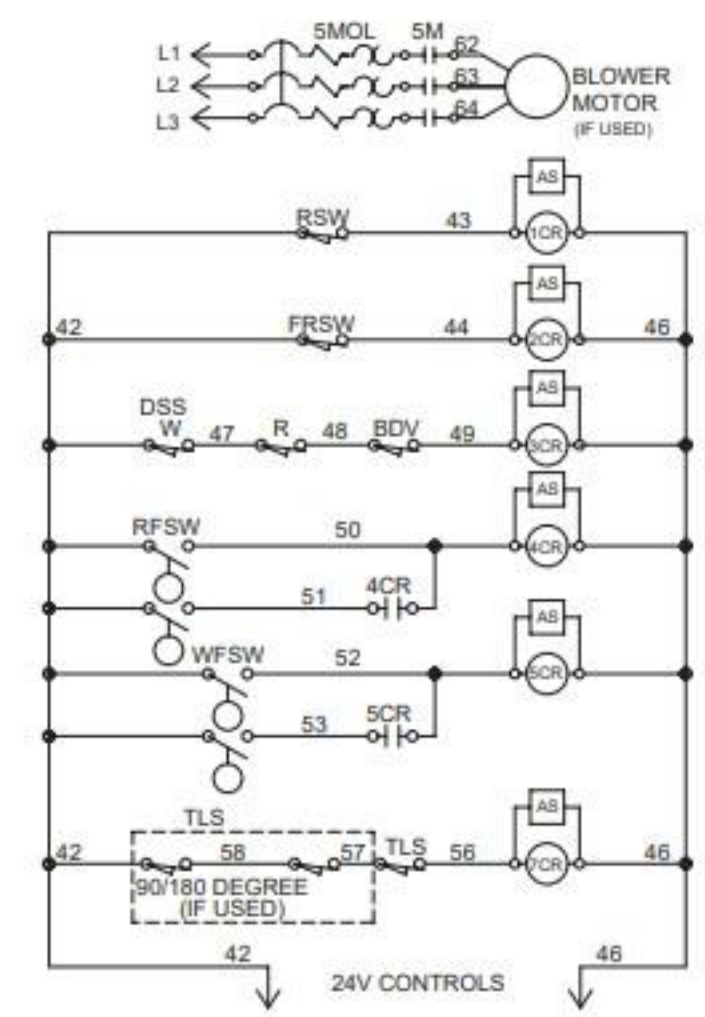
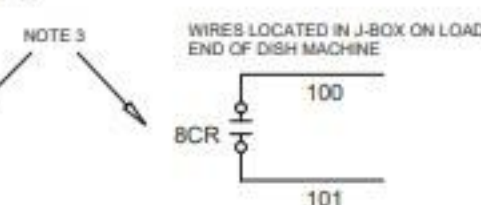
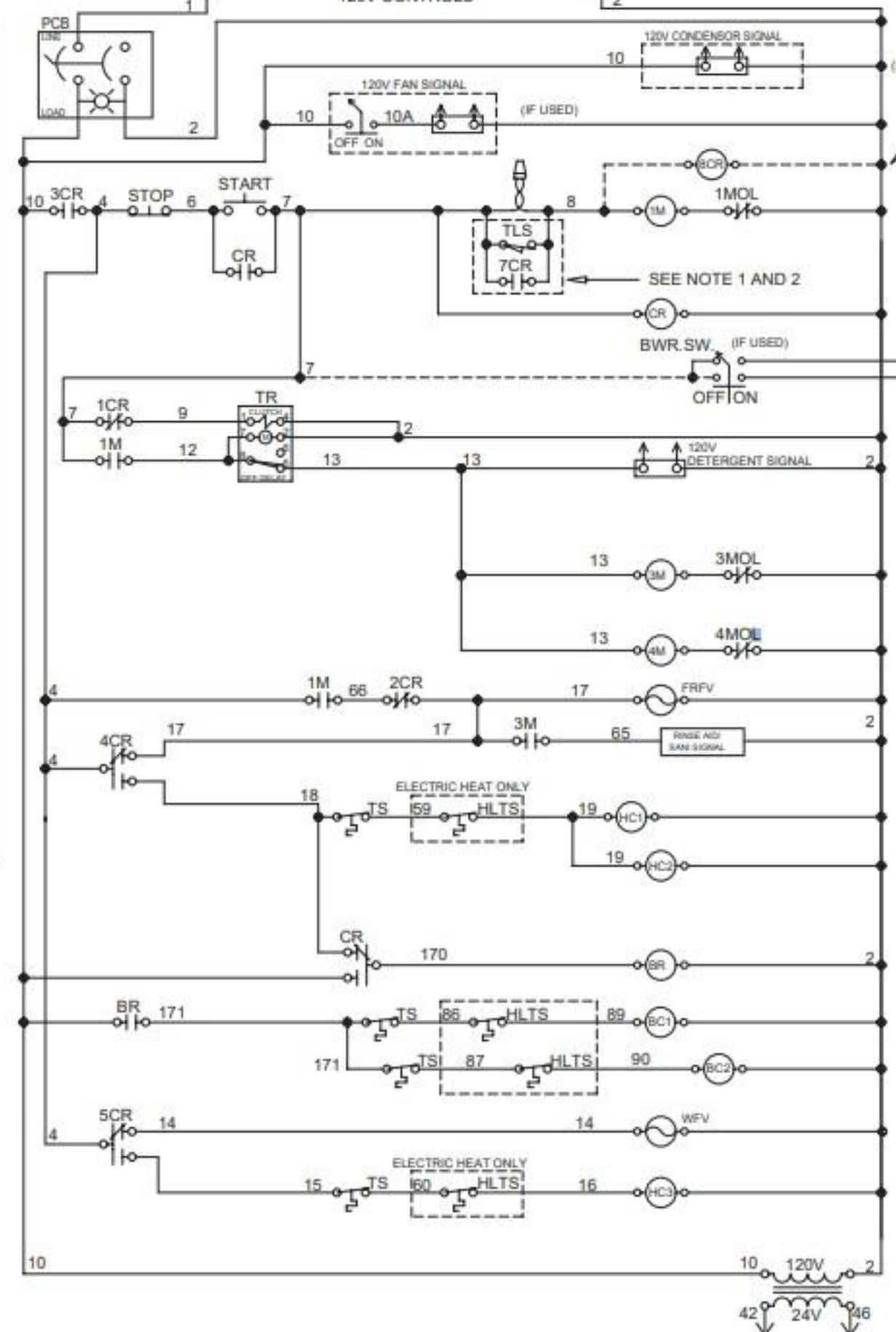


1CR	RACK SWITCH RELAY
2CR	FINAL RINSE SWITCH RELAY
3CR	DOOR SAFETY HOLD-IN RELAY
4CR	RINSE FILL SWITCH RELAY
5CR	WASH FILL SWITCH RELAY
7CR	TABLE LIMIT SWITCH RELAY
8CR	DRIVE RELAY
1M	DRIVE MOTOR CONTACTOR
1MOL	DRIVE MOTOR OVERLOAD
3M	WASH MOTOR CONTACTOR
3MOL	WASH MOTOR OVERLOAD
4M	RINSE MOTOR CONTACTOR
4MOL	RINSE MOTOR OVERLOAD
5M	BLOWER MOTOR CONTACTOR
5MOL	BLOWER MOTOR OVERLOAD
AS	ARC SUPPRESSOR
BC-	BOOSTER CONTACTOR/STEAM VALVE
BR	BOOSTER HOLD-IN RELAY
BWR.SW.	BLOWER SWITCH
CR	HOLD-IN RELAY
DSS	DOOR SAFETY SWITCH
FRFV	FINAL RINSE FILL VALVE
FRSW	FINAL RINSE SWITCH
FU	FUSE-TRANSFORMER
HC-	HEAT CONTACTOR/STEAM VALVE
HLTS	HIGH LIMIT THERMOSTAT (IF USED)
ISO	ISOLATION SWITCH (IF USED)
LT	ISOLATION SWITCH LIGHT (IF USED)
MSW	MOTOR STOP SWITCH (IF USED)
PCB	POWER SWITCH/CIRCUIT BREAKER
RSW	RACK SWITCH
RWFV	RINSE TANK FILL VALVE
RFSW	RINSE TANK FLOAT SWITCH
T1	CONTROL TRANSFORMER
TR	IDLE PUMP TIMER
TS	THERMOSTAT
WFSW	WASH TANK FLOAT SWITCH
WV	WASH FILL VALVE



- NOTES:
- WIRE NO. 7 AND 8 ARE CONNECTED TOGETHER IN JUNCTION BOX.
  - WHEN TABLE LIMIT SWITCH IS USED, SEPARATE WIRE 7 AND 8, WIRE TABLE LIMIT SWITCH (TLS) AS SHOWN. WHEN MACHINE IS SUPPLIED WITH MOTORIZED RACK ADVANCE (MRA) AND A 120V TLS IS USED, CONNECT WIRES INTO DISH MACHINE JUNCTION BOX. DISCONNECT WIRE 7 AND ADD TLS IN SERIES.
  - BCR RELAY AND CONTACT USED FOR PREFERRED SYSTEM.

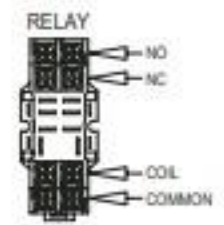


DIAGRAM STATE  
POWER OFF  
DOORS CLOSED  
TANKS EMPTY

DR.BY	A.LANNI	SCALE	1=1
DATE	94-10-06	SHEET	1 OF 1

REV.	DESCRIPTION	DATE	BY
F	ADD CONDENSOR SIGNAL CONNECTION POINT	2FEB98	JCN
G	CHANGED BOOSTER CONTROL LOGIC	17FEB98	JCN
H	REMOVED CWT CIRCUITRY	14DEC01	JCN

REV.	DESCRIPTION	DATE	BY
I	ADDED DRIVE RELAY FOR PREFERRED SYSTEM	5FEB04	JAM

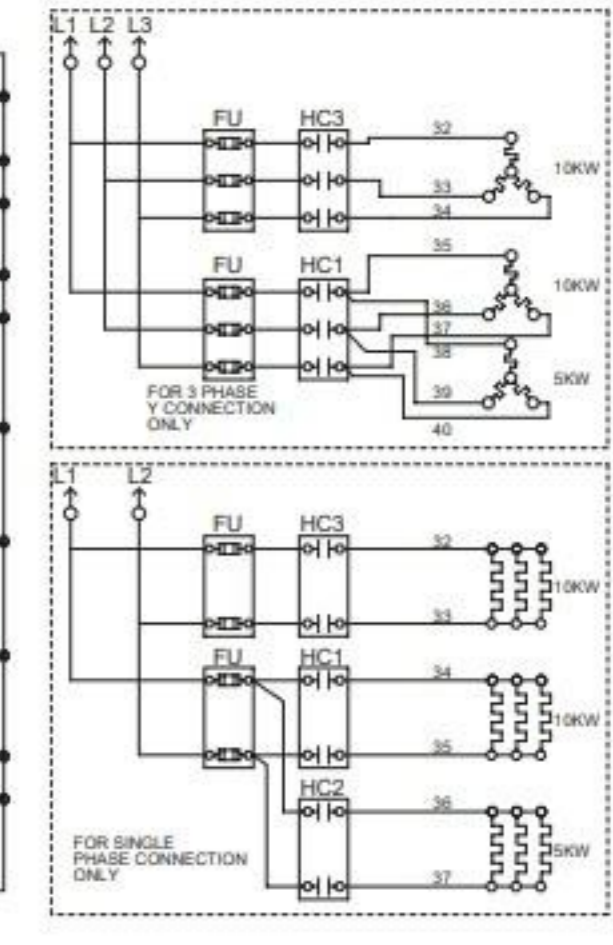
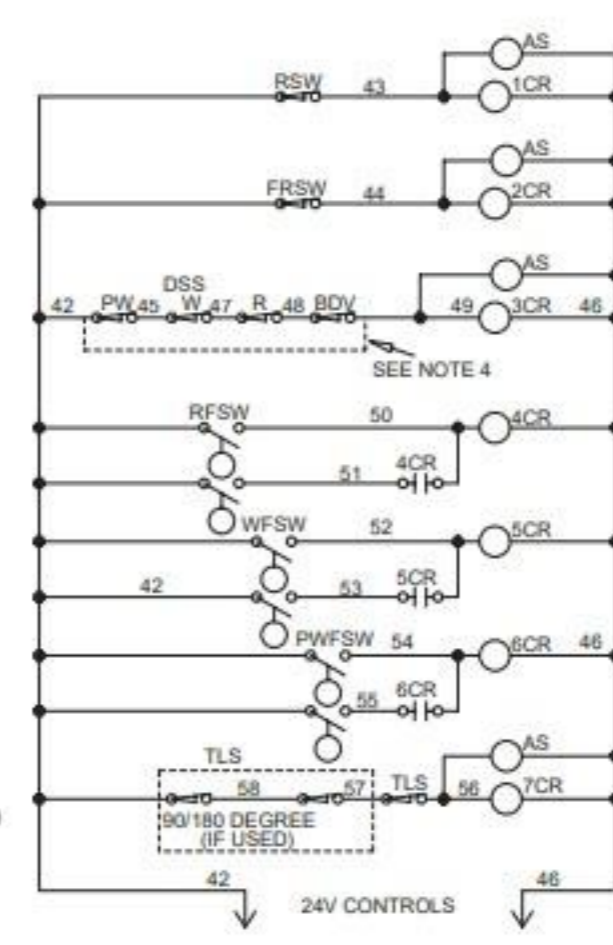
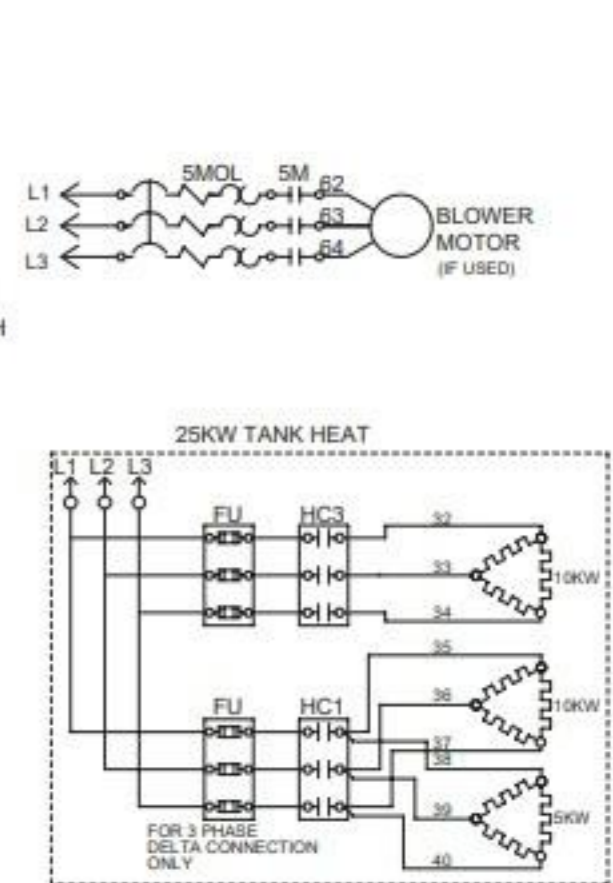
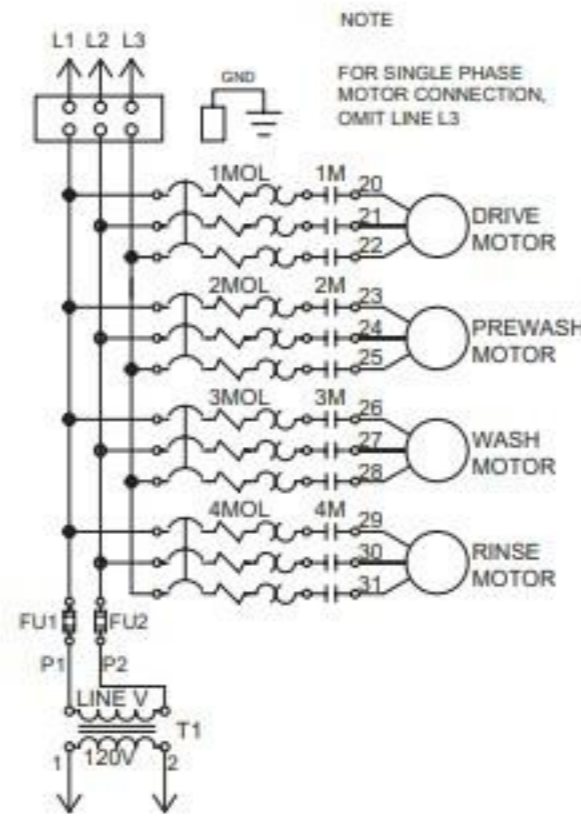
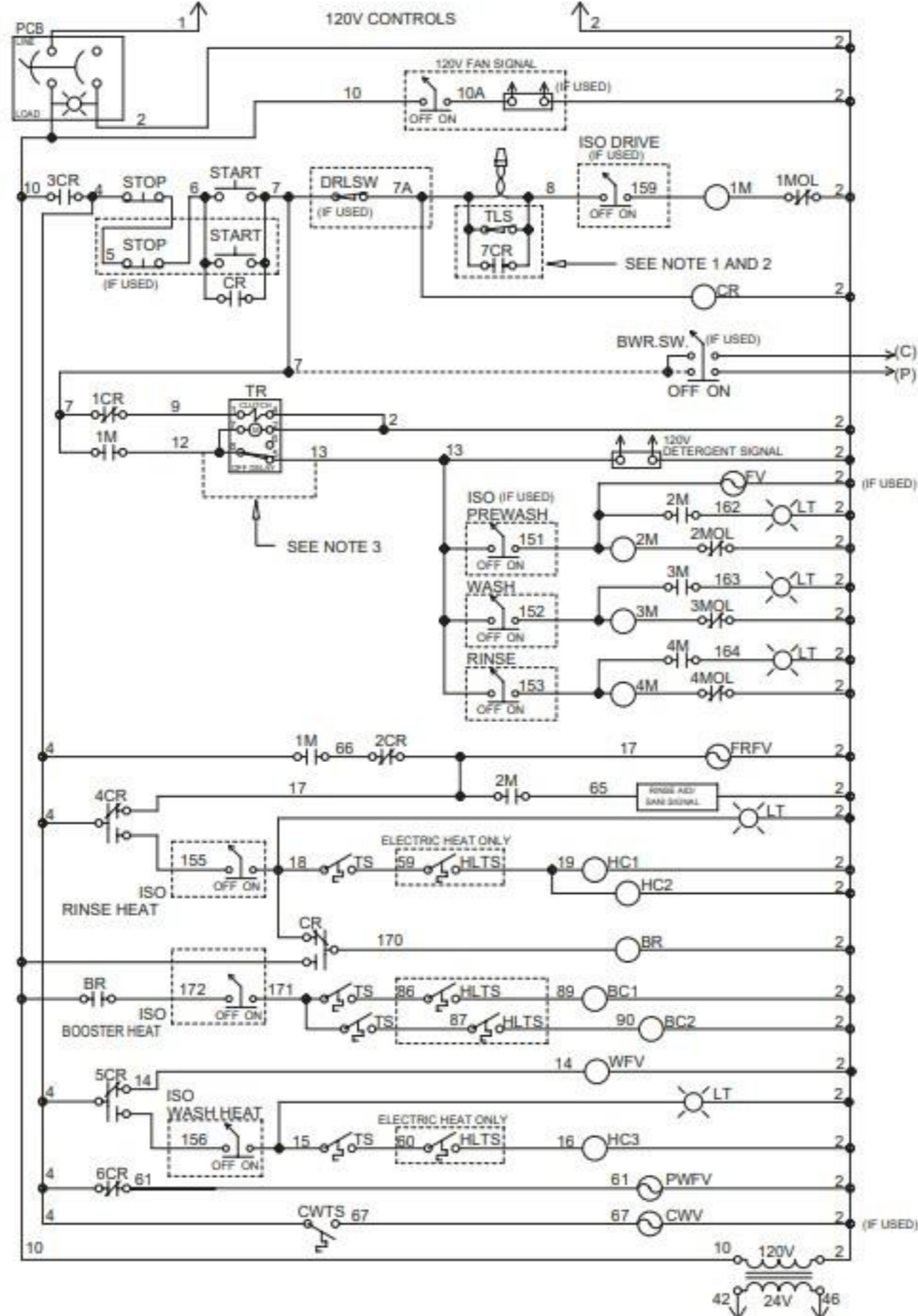
**Champlon**  
The Dishwashing Machine Specialists

**40/60/64-KB STEAM/ELECTRIC**

**B 700935** REV. I

1CR	RACK SWITCH RELAY
2CR	FINAL RINSE SWITCH RELAY
3CR	DOOR SAFETY HOLD IN RELAY
4CR	RINSE FILL SWITCH RELAY
5CR	WASH FILL SWITCH RELAY
6CR	PREWASH FILL SWITCH RELAY
7CR	TABLE LIMIT SWITCH RELAY
1M	DRIVE CONTACTOR
1MOL	DRIVE MOTOR OVERLOAD
2M	PREWASH CONTACTOR
2MOL	PREWASH MOTOR OVERLOAD
3M	WASH CONTACTOR
3MOL	WASH MOTOR OVERLOAD
4M	RINSE CONTACTOR
4MOL	RINSE MOTOR OVERLOAD
5M	BLOWER CONTACTOR
5MOL	BLOWER MOTOR OVERLOAD
AS	ARC SUPPRESSOR
BC-	BOOSTER CONTACTOR/STEAM VALVE
BR	BOOSTER HOLD-IN RELAY
BWLSW	BLOWER SWITCH
CR	HOLD-IN RELAY
CWTS	COLD WATER THERMOSTAT
CVV	COLD WATER VALVE
DSS	DOOR SAFETY SWITCH
FRPV	FINAL RINSE FILL VALVE
FRSW	FINAL RINSE SWITCH
FU	FUSE-TRANSFORMER
FV	FLUSHING VALVE
HC-	HEAT CONTACTOR
HLTS	HIGH LIMIT THERMOSTAT (IF USED)
ISO	ISOLATION SWITCH (IF USED)
LT	ISOLATION SWITCH LIGHT (IF USED)
MSW	MOTOR STOP SWITCH (IF USED)
PCB	POWER SWITCH/CIRCUIT BREAKER
PWFV	PREWASH FILL VALVE
RSW	RACK SWITCH
RWFV	RINSE TANK FILL VALVE
RWFV	RINSE TANK FILL VALVE
RWFSW	RINSE TANK FLOAT SWITCH
T1	CONTROL TRANSFORMER
TR	IDLE PUMP TIMER
TS	THERMOSTAT
WFSW	WASH TANK FLOAT SWITCH
WV	WASH FILL VALVE

- NOTES:**
- WIRE NO. 7 AND 8 ARE CONNECTED TOGETHER IN JUNCTION BOX.
  - WHEN TABLE LIMIT SWITCH IS USED, SEPARATE WIRE 7 AND 8. WIRE TABLE LIMIT SWITCH (TLS) AS SHOWN. WHEN MACHINE IS SUPPLIED WITH MOTORIZED RACK ADVANCE (MRA) AND A 120V TLS IS USED, CONNECT WIRES INTO DISH MACHINE JUNCTION BOX. DISCONNECT WIRE 7 AND ADD TLS IN SERIES.
  - JUMPER TO BE USED WHEN IDLE PUMP IS NOT USED.
  - USE JUMPER WHEN DOOR SAFETY SWITCHES ARE NOT USED.



CUSTOMER TO SUPPLY RATED VOLTAGE/PHASE/Hz, AS SPECIFIED PER ORDER, TO DISCONNECT SWITCH ALL POWER SUPPLIED TO EACH CONNECTION POINT MUST COMPLY WITH ALL LOCAL ELECTRIC CODES.			
DR. BY	A. LANNI	SCALE	N/A
DATE	94-10-04	SHEET	1 OF 1

REV.	DESCRIPTION	DATE	BY
B	RENUMBER BOOSTER THERMOSTAT	93-12	LANNI
C	RENUMBER 120V CIRCUIT 4CR & 5CR RENUMBER 24V CIRCUIT 20S, 6CR & 4CR	94-03	LANNI
D	ADD FAN SIGNAL SWITCH, MOVE ISO HEAT SWITCH FROM WIRE 4 TO WIRE 15 & 18, REDRAW B SIZE	94-10	LANNI

REV.	DESCRIPTION	DATE	BY
E	CHANGED BOOSTER LOGIC	5DEC97	JCN
F	ADDED REMOTE STOP/START	25JULY01	JCN
G	ADDED ARC SUPPRESSORS	4FEB02	JCN

**Champlon**  
The Dishwashing Machine Specialists

**40/60/64-KPRB STEAM/ELECTRIC**

**B 700936 G**