

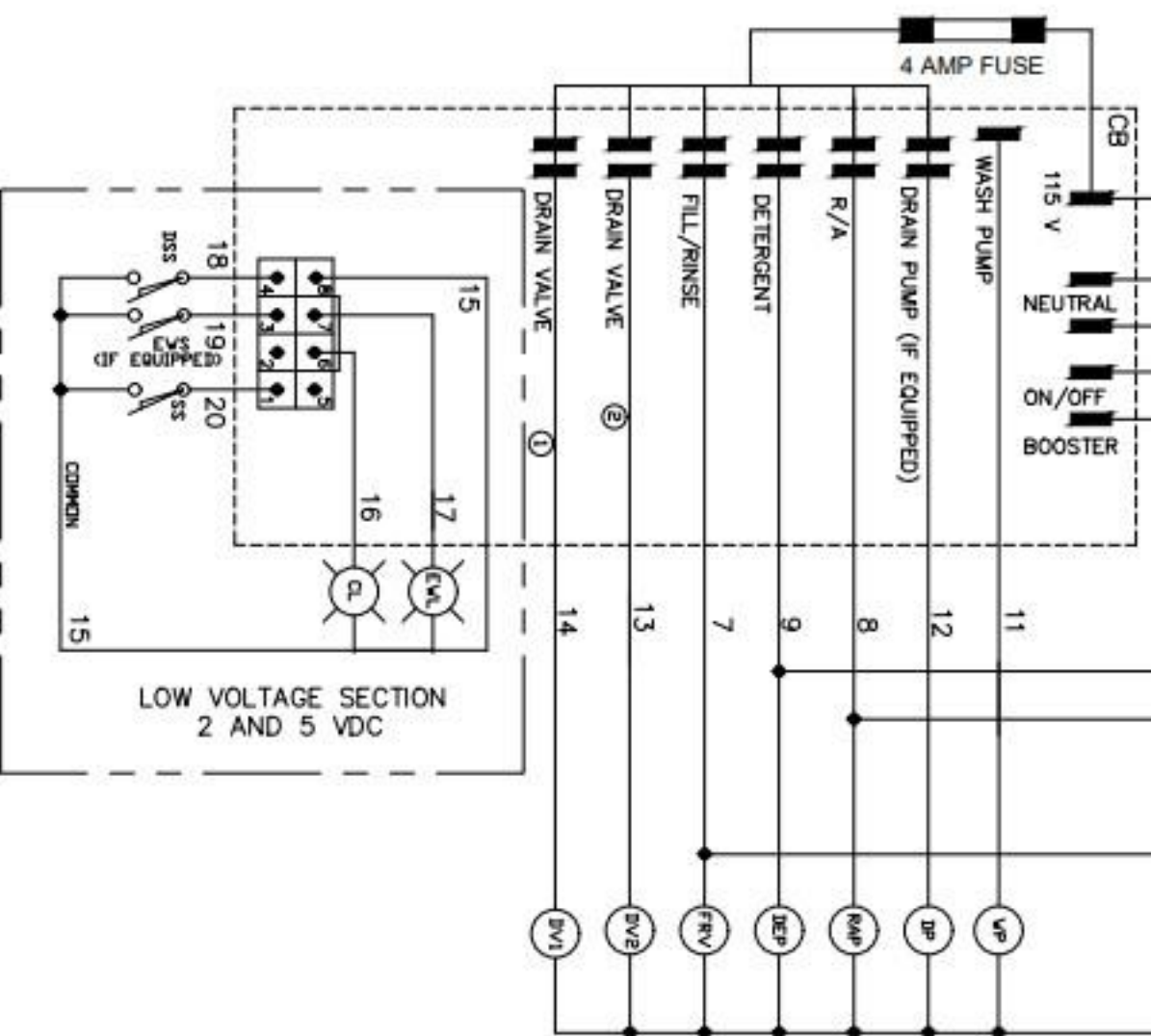
TO CUSTOMER'S DISCONNECT SWITCH PER LOCAL ELECTRICAL CODES

SINGLE PHASE
115-208/230V 60HZ

THREE PHASE
208/230V+115V NEUTRAL 60HZ

40° RISE	MINIMUM CIRCUIT AMPACITY 40 AMPS
70° RISE	MINIMUM CIRCUIT AMPACITY 60 AMPS
40° RISE	MINIMUM CIRCUIT AMPACITY 30 AMPS
70° RISE	MINIMUM CIRCUIT AMPACITY 40 AMPS

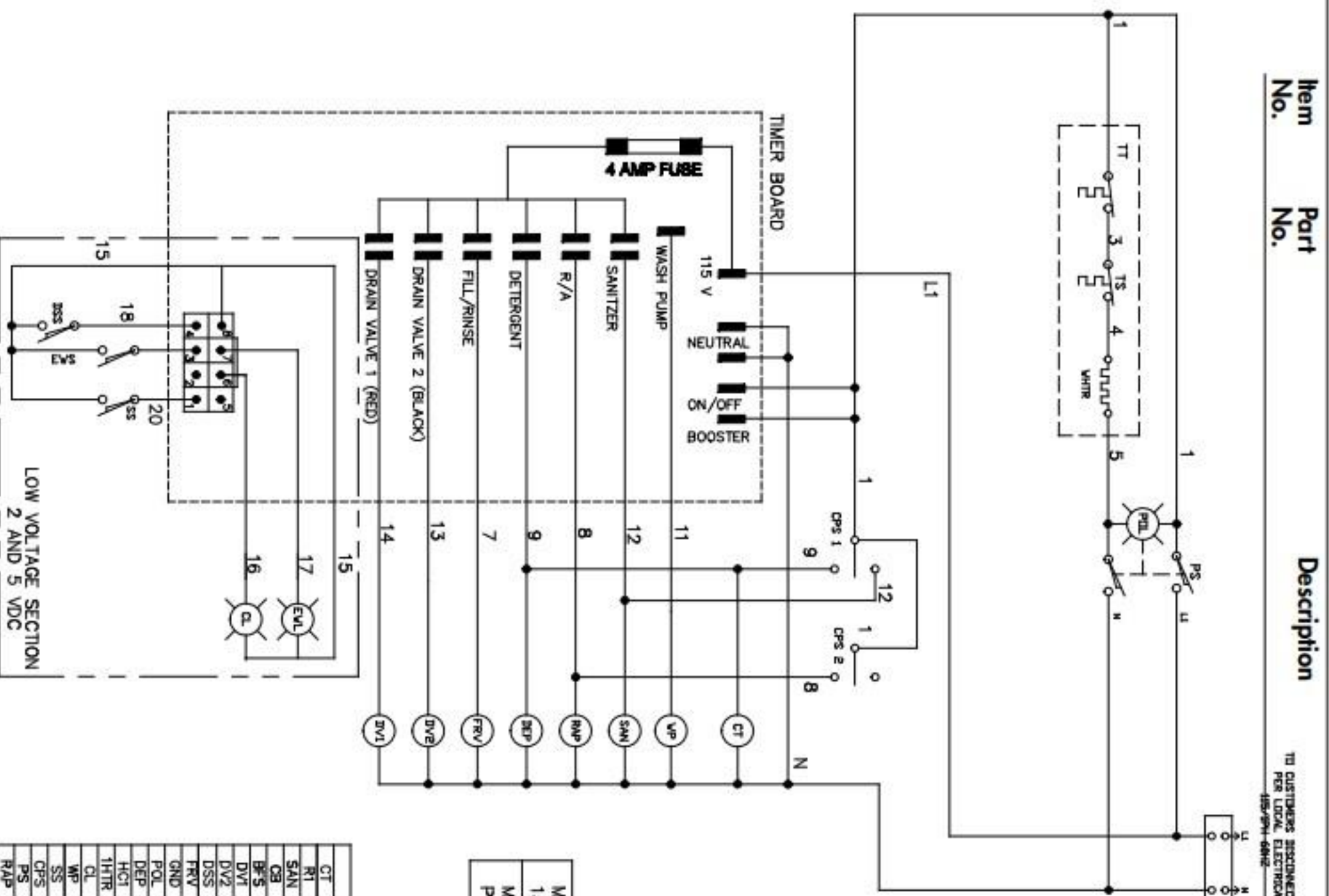
BTS	BOOSTER TEMPERATURE SENSOR
RTS	RINSE TEMPERATURE SENSOR
WTS	WASH TEMPERATURE SENSOR
DP	DRAIN PUMP
CB	CIRCUIT BOARD
BFS	BOOSTER FILL SWITCH
DV2	DRAIN VALVE 2
DV1	DRAIN VALVE 1
DSS	DOOR SAFETY SWITCH
FRV	FILL/RINSE VALVE
GRND	GROUND
POL	POWER ON LIGHT
DEP	DETERGENT PUMP
HCT	BOOSTER CONTACTOR
THTR	BOOSTER HEATER
CL	CYCLE LIGHT
WP	WASH PUMP
SS	START SWITCH
CPS	CHEMICAL PRIME SWITCH
PS	POWER ON SWITCH
RAP	RINSE AID PUMP
TI	TANK HEAT THERMOSTAT
TS	TANK HEAT SAFETY THERMOSTAT
BT	BOOSTER THERMOSTAT
BS	BOOSTER SAFETY THERMOSTAT
EWS	EXTENDED WASH SWITCH
SP	SANITIZER PUMP
WHTR	WASH TANK HEATER
EWL	EXTENDED WASH LIGHT



LOW VOLTAGE SECTION
2 AND 5 VDC

DIAGRAM STATE
END OF CYCLE
POWER-OFF
DOOR-OPEN

DATE	NUMBER/REV
28-JAN-14	0513371



Item No.

Part No.

Description

Qty.

TO CUSTOMER'S DISCONNECT SWITCH
PER LOCAL ELECTRICAL CODE
148/9/11-08/12

MINIMUM CIRCUIT AMPACITY
15 AMPS
MAXIMUM OVERCURRENT
PROTECTION 15 AMPS

CT	CYCLE COUNTER
R1	DOOR SAFETY/HEATER RELAY
SAN	SANITIZER
GB	CIRCUIT BOARD
BF5	BOOSTER FILL SWITCH
DV1	DRAIN VALVE 1
DV2	DRAIN VALVE 2
DSS	DOOR SAFETY SWITCH
FRV	FILL/RINSE VALVE
GND	GROUND
POL	POWER ON LIGHT
DEP	DETERGENT PUMP
HCT	BOOSTER CONTACTOR
HTR	BOOSTER HEATER
CL	CYCLE LIGHT
WP	WASH PUMP
SS	START SWITCH
CPS	CHEMICAL PRIME SWITCH
PS	POWER ON SWITCH
RAP	RINSE AID PUMP
TT	TANK HEAT THERMOSTAT
TS	TANK HEAT SAFETY THERMOSTAT
BT	BOOSTER THERMOSTAT
BS	BOOSTER SAFETY THERMOSTAT
EWS	EXTENDED/DELINE WASH SWITCH
SP	SANITIZER PUMP
WTHR	WASH TANK HEATER
EWL	EXTENDED WASH LIGHT

2011LT
LOW TEMP UNDERCOUNTER M4

DIAGRAM STATE
END OF CYCLE
POWER-OFF
DOOR-OPENED

DATE	NUMBER/REV
20-MAR-14	0513372