

TO CUSTOMERS: DISCONNECT SWITCH
PER LOCAL ELECTRICAL CODE
125-208V/230V/1PH 60HZ

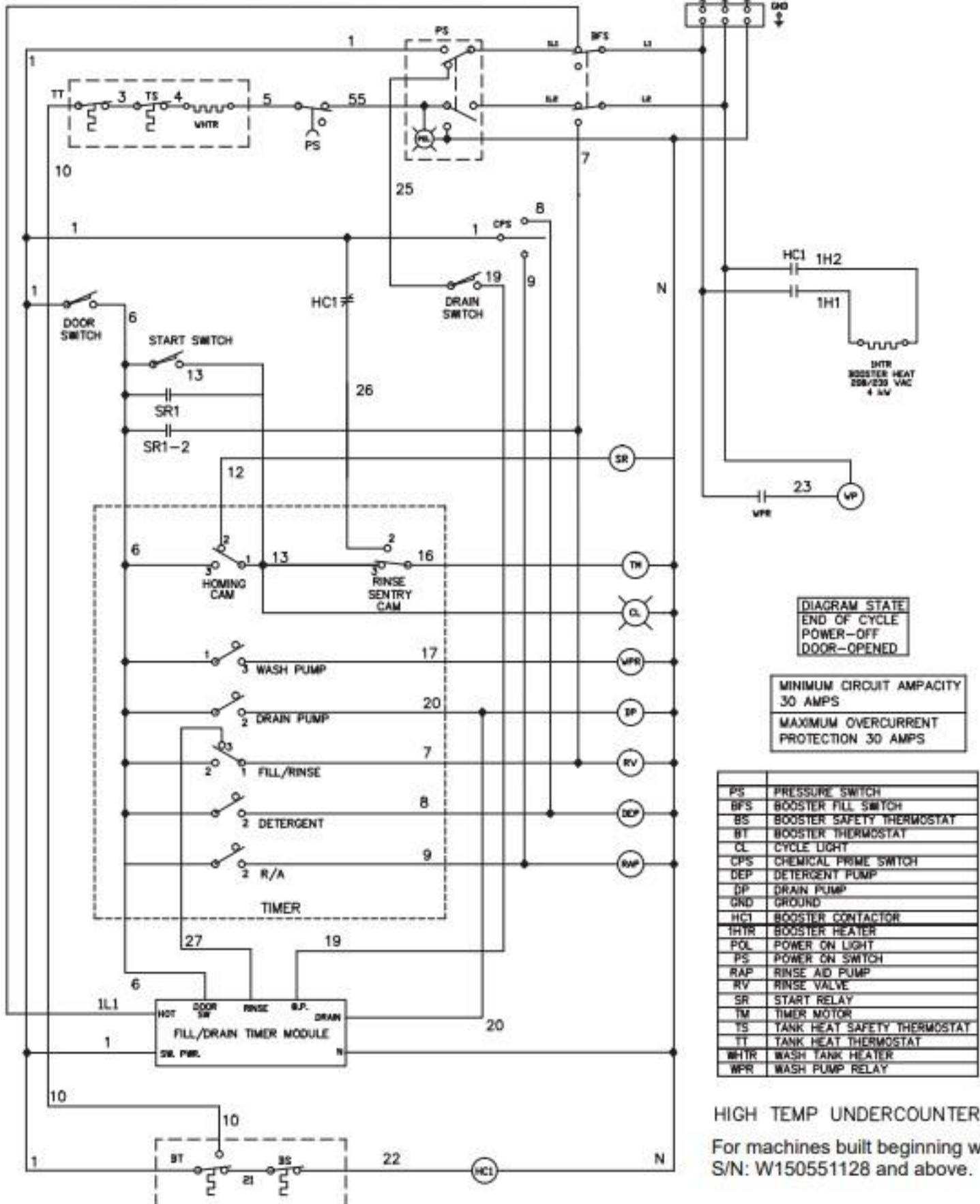


DIAGRAM STATE
END OF CYCLE
POWER-OFF
DOOR-OPENED

MINIMUM CIRCUIT AMPACITY
30 AMPS
MAXIMUM OVERCURRENT
PROTECTION 30 AMPS

PS	PRESSURE SWITCH
BFS	BOOSTER FILL SWITCH
BS	BOOSTER SAFETY THERMOSTAT
BT	BOOSTER THERMOSTAT
CL	CYCLE LIGHT
CPS	CHEMICAL PRIME SWITCH
DEP	DETERGENT PUMP
DP	DRAIN PUMP
GND	GROUND
HCI	BOOSTER CONTACTOR
IHTR	BOOSTER HEATER
POL	POWER ON LIGHT
PS	POWER ON SWITCH
RAP	RINSE AID PUMP
RV	RINSE VALVE
SR	START RELAY
TM	TIMER MOTOR
TS	TANK HEAT SAFETY THERMOSTAT
TT	TANK HEAT THERMOSTAT
WTHR	WASH TANK HEATER
WPR	WASH PUMP RELAY

HIGH TEMP UNDERCOUNTER
For machines built beginning with
S/N: W150551128 and above.

DATE	NUMBER/REV
5/MAY/15	351HT/0512866-PS/REVB

Electrical Schematic - Model 351HT

