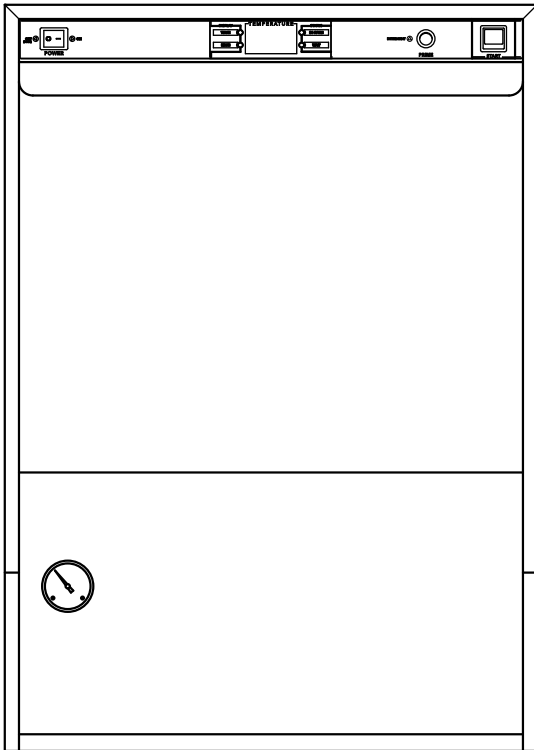




SERVICE REPLACEMENT PARTS
Pièces de Rechange - Partes de Reemplazo

**Model:
383HT**

**High Temperature
Undercounter
Dishwasher**



Issue Date: 4.29.16

Manual P/N 116145 rev. —

For machines beginning with S/N W160458678 and above

3765 Champion Boulevard
Winston-Salem, NC 27105
(336) 661-1992 Fax: (336) 661-1660
Toll-free: 1 (800) 858-4477

2674 N. Service Road, Jordan Station
Ontario, Canada L0R 1S0
(905) 562-4195 Fax: (905) 562-4618
Toll-free: 1 (800) 263-5798

Printed in the USA



National Service Department

In Canada:

Toll-free: 800/ 263-5798
Tel: 905/ 562-4195
Fax: 905/ 562-4618
email: service@moyerdiebellimited.com

In the USA:

Toll-free: 800/ 858-4477
Tel: 336/ 661-1556
Fax: 336/ 661-1660
email: service@championindustries.com

ATTENTION

The model no., serial no., voltage, Hz and phase are needed to identify your machine and to answer questions.

**The machine data plate
is located on the right front corner
of the lower panel**

Please have this information ready
if you call for service assistance.



Revision Record

| REVISION DATE | PAGES | EFFECTIVE S/N | DESCRIPTION |
|------------------|-------|---------------|------------------------|
| 4/29/16 | ALL | W160458678 | Released first edition |

Limited Warranty

LIMITED WARRANTY

Moyer Diebel. (herein referred to as The Company), 3765 Champion Blvd., Winston-Salem, North Carolina 27105, and 2674 N. Service Road, Jordan Station, Canada, LOR 1S0, warrants machines, and parts, as set out below.

Warranty of Machines: The Company warrants all new machines of its manufacture bearing the name "Moyer Diebel" and installed within the United States and Canada to be free from defects in material and workmanship for a period of one (1) year after the date of installation or fifteen (15) months after the date of shipment by The Company, whichever occurs first. [See below for special provisions relating to glasswashers.] Warranty registration must be submitted to Moyer Diebel within ten (10) days after installation either online on the Moyer Diebel website (<http://www.moyerdiebel.com/service/>) for the USA or <http://www.championindustries.com/warranty-registration> for Canada or by fax on the form provided in the front of this manual. If warranty registration is not returned to The Company within such period, the warranty will expire after one year from the date of shipment. The Company will not assume any responsibility for extra costs for installation in any area where there are jurisdictional problems with local trades or unions. If a defect in workmanship or material is found to exist within the warranty period, The Company, at its election, will either repair or replace the defective machine or accept return of the machine for full credit; provided; however, as to glasswashers, The Company's obligation with respect to labor associated with any repairs shall end (a) 120 days after shipment, or (b) 90 days after installation, whichever occurs first. In the event that Moyer Diebel elects to repair, the labor and work to be performed in connection with the warranty shall be done during regular working hours by The Company's authorized service technician. Defective parts become the property of The Company. Use of replacement parts not authorized by The Company will relieve The Company of all further liability in connection with its warranty. In no event will The Company's warranty obligation exceed The Company's charge for the machine. The following are not covered by The Company's warranty:

- a. Lighting of gas pilots or burners.
- b. Cleaning of gas lines.
- c. Replacement of fuses or resetting of overload breakers.
- d. Adjustment of thermostats.
- e. Adjustment of clutches.
- f. Opening or closing of utility supply valves or switching of electrical supply current.
- g. Cleaning of valves, strainers, screens, nozzles, or spray pipes.
- h. Performance of regular maintenance and cleaning as outlined in operator's guide.
- i. Damages resulting from water conditions, accidents, alterations, improper use, abuse, tampering, improper installation, or failure to follow maintenance and operation procedures.
- j. Wear on Pulper cutter blocks, pulse vanes, and auger brush.

Examples of the defects not covered by warranty include, but are not limited to: (1) Damage to the exterior or interior finish as a result of the above, (2) Use with utility service other than that designated on the rating plate, (3) Improper connection to utility service, (4) Inadequate or excessive water pressure, (5) Corrosion from chemicals dispensed in excess of recommended concentrations, (6) Failure of electrical components due to connection of chemical dispensing equipment installed by others, (7) Leaks or damage resulting from such leaks caused by the installer, including those at machine table connections or by connection of chemical dispensing equipment installed by others, (8) Failure to comply with local building codes, (9) Damage caused by labor dispute.

Warranty of Parts: The Company warrants all new machine parts produced or authorized by The Company to be free from defects in material and workmanship for a period of 90 days from date of invoice. If any defect in material and workmanship is found to exist within the warranty period The Company will replace the defective part without charge.

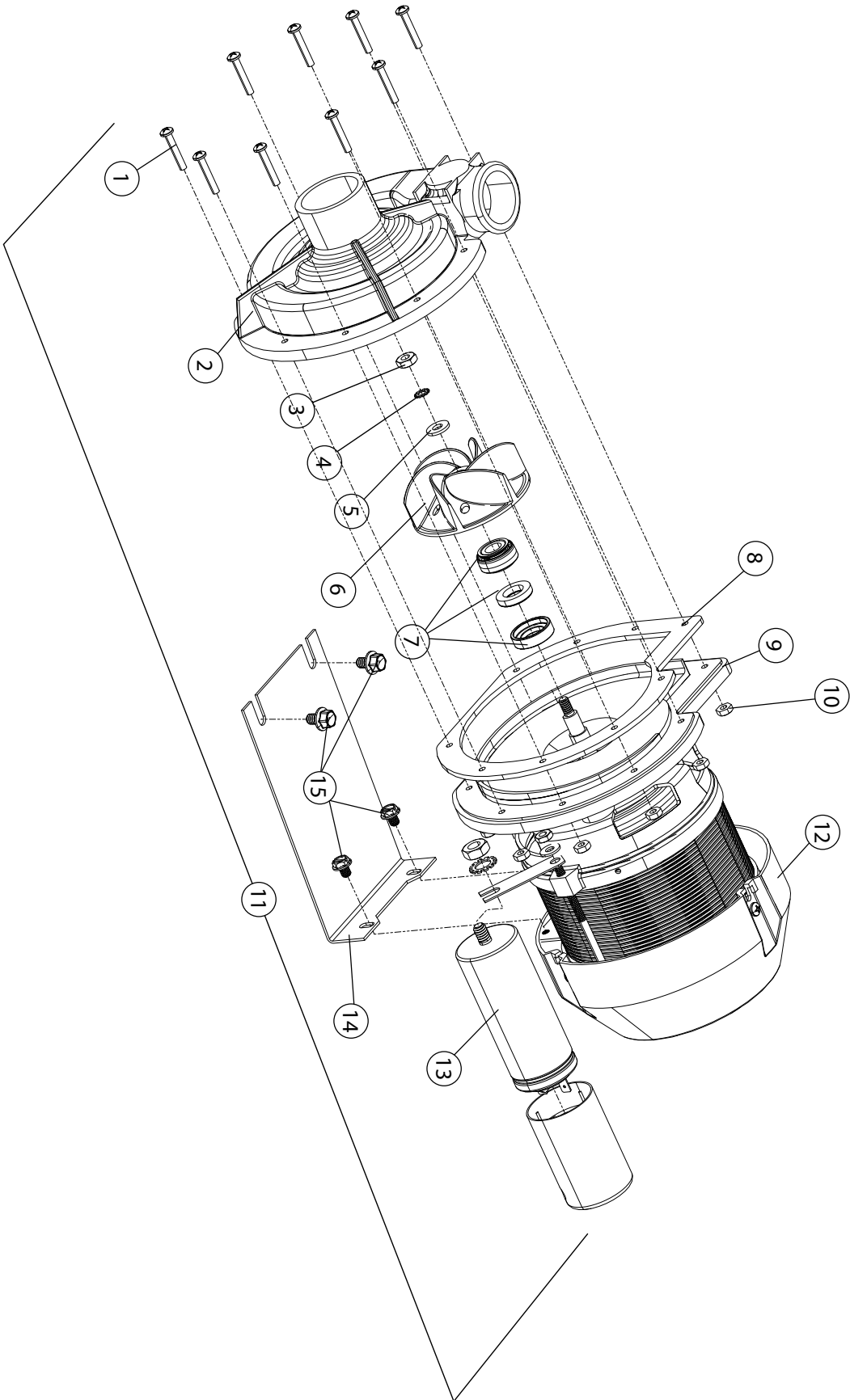
DISCLAIMER OF WARRANTIES AND LIMITATIONS OF LIABILITY. THE COMPANY'S WARRANTY IS ONLY TO THE EXTENT REFLECTED ABOVE. THE COMPANY MAKES NO OTHER WARRANTIES, EXPRESS OR IMPLIED, INCLUDING, BUT NOT LIMITED, TO ANY WARRANTY OF MERCHANTABILITY, OR FITNESS OF PURPOSE. MOYER DIEBEL SHALL NOT BE LIABLE FOR INCIDENTAL OR CONSEQUENTIAL DAMAGES. THE REMEDIES SET OUT ABOVE ARE THE EXCLUSIVE REMEDIES FOR ANY DEFECTS FOUND TO EXIST IN THE COMPANY'S DISHWASHING MACHINES AND THE COMPANY'S PARTS, AND ALL OTHER REMEDIES ARE EXCLUDED, INCLUDING ANY LIABILITY FOR INCIDENTALS OR CONSEQUENTIAL DAMAGES.

Moyer Diebel does not authorize any other person, including persons who deal in Moyer Diebel dishwashing machines to change this warranty or create any other obligation in connection with Moyer Diebel Dishwashing Machines.

Service Replacement Parts

| Illustrations | Page |
|---|-------------|
| Wash Pump/Motor Assembly | 2 |
| Booster | 4 |
| Control Panel..... | 6 |
| Power Wiring Box..... | 8 |
| Fill Valve | 10 |
| Wash and Rinse Spray Arms | 12 |
| Hoses and Drain Pump | 14 |
| Panels and Door | 16 |
| Upper Tank | 18 |
| Rear Tank..... | 20 |
| Rinse-aid Dispensing Pump..... | 22 |
| Detergent Dispensing Pump..... | 24 |
| Dish racks and Pressure Regulating Valve (PRV)..... | 22 |

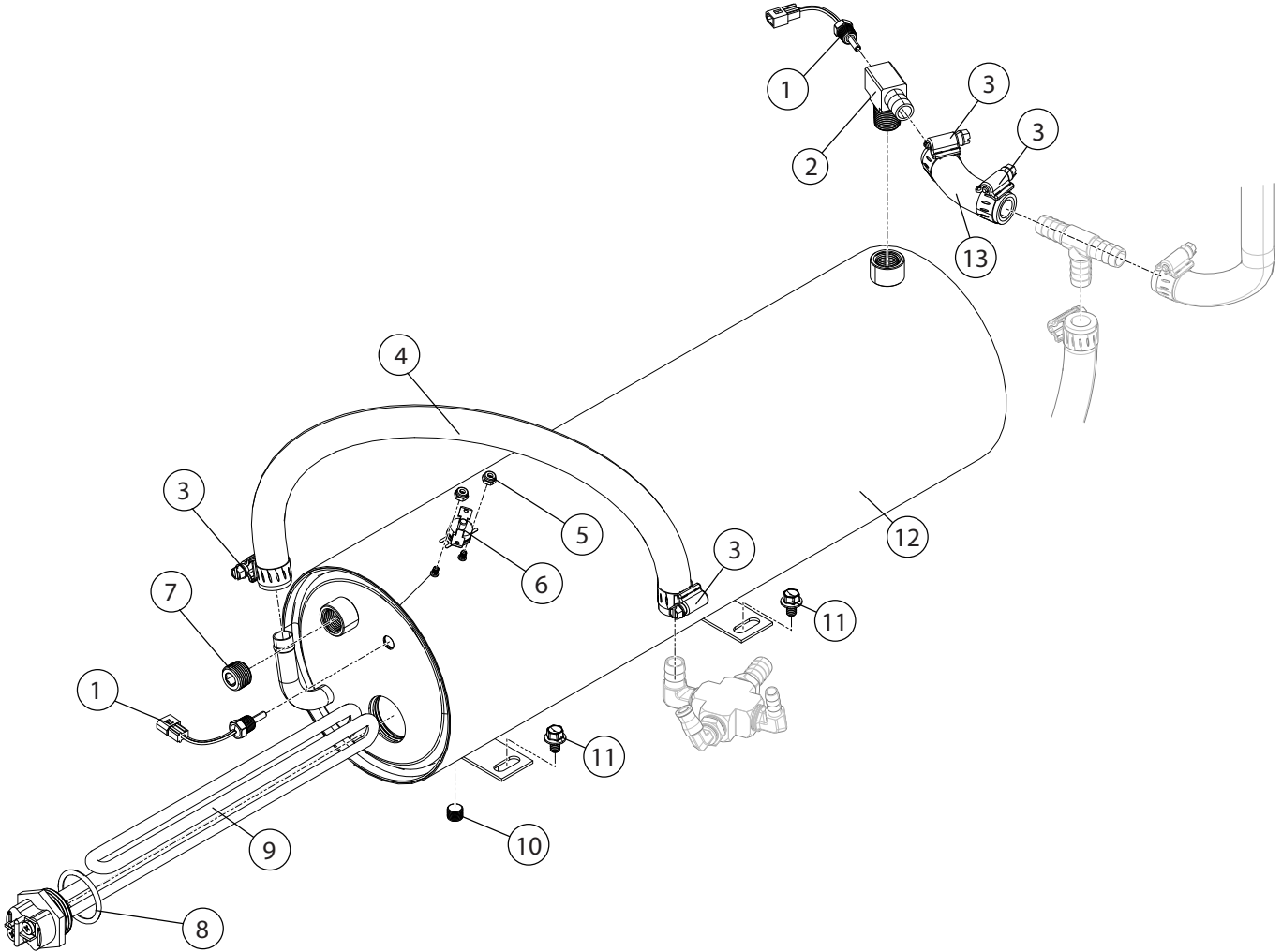
Pump/Motor



| Item No. | Part No. | Description | Qty. |
|----------|-----------|---|------|
| 1 | 0512340 | SCREW, M4, PHIL, PAN HD. | 9 |
| 2 | 0512341 | IMPELLER HOUSING COVER | 1 |
| 3 | 114144 | NUT, M6 (LEFT-HAND THREAD) | 1 |
| 4 | 0501501 | WASHER, LOCK, 1/4" | 1 |
| 5 | 0501478 | WASHER, PLAIN, 17/64" | 1 |
| 6 | 0512345 | IMPELLER | 1 |
| 7 | 114139 | SEAL, PUMP | 1 |
| 8 | 110285 | GASKET, PUMP | 1 |
| 9 | 114137 | PLATE, PUMP BACKING | 1 |
| 10 | 107337 | NUT, M4 | 9 |
| 11 | 0512101-1 | PUMP/MOTOR ASSEMBLY COMPLETE 220VAC/60/1 | 1 |
| 12 | 0513131 | COVER, REAR MOTOR FAN | 1 |
| 13 | H29043 | CAPACITOR 16 μ F | 1 |
| 14 | 0312144 | BRACKET, WASH PUMP | 1 |
| 15 | 0512185 | BOLT, HEX FLANGE 1/4-20 X 3/8" SST | 2 |

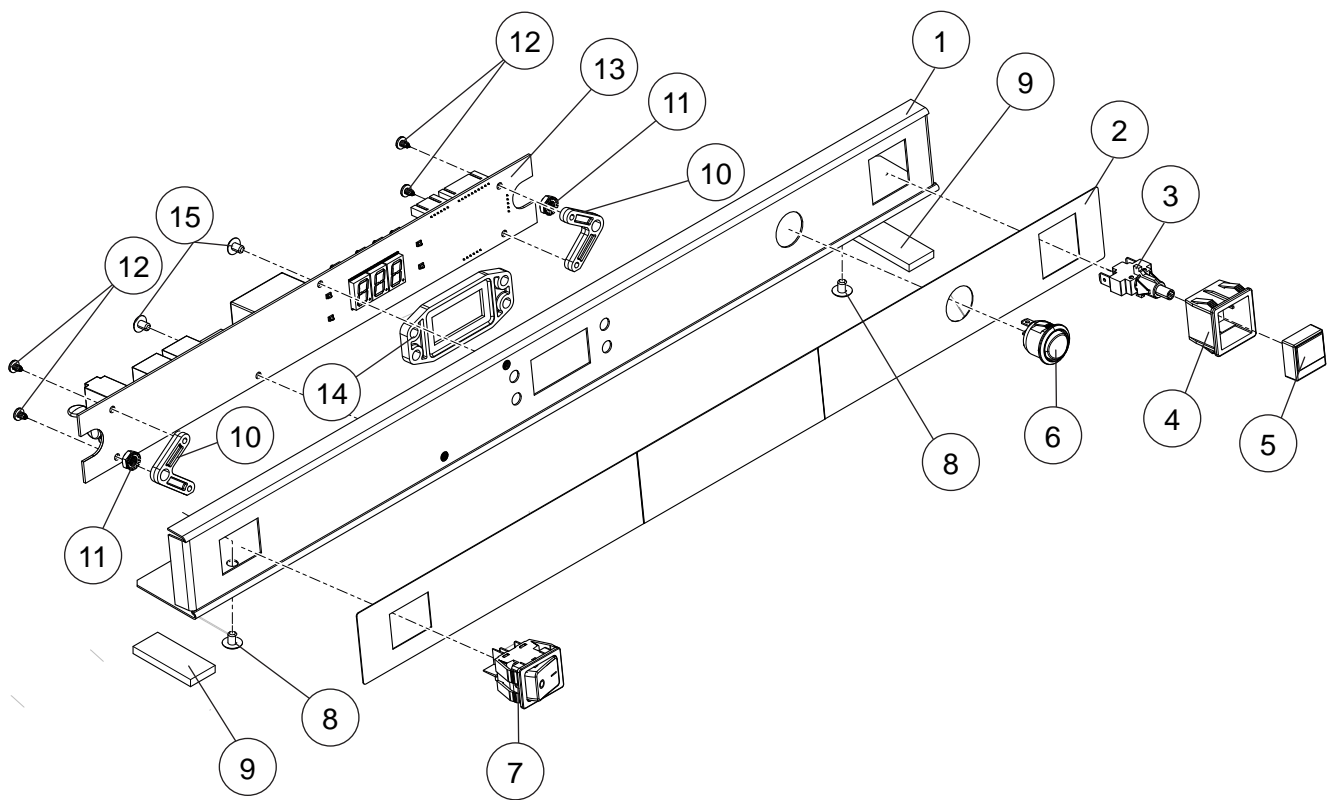
THE MOTOR IS NOT A SEPARATE PART

Booster



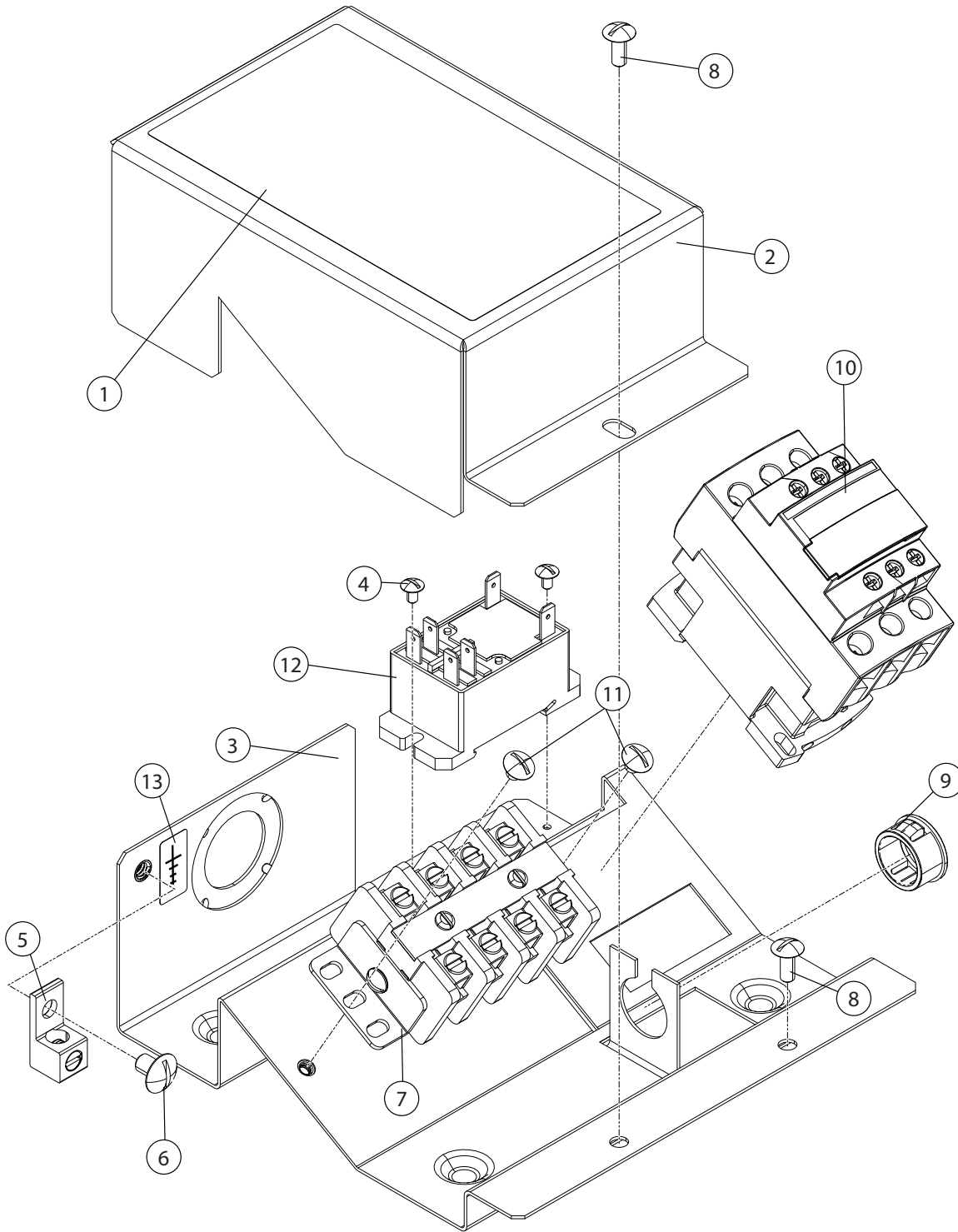
| Item No. | Part No. | Description | Qty. |
|----------|----------|--|------|
| 1 | 0513310 | THERMISTOR | 1 |
| 2 | 0513314 | TEE, RINSE 1/2" HB X 3/8" NPT X 1/8" NPT BRASS | 1 |
| 3 | 0512985 | CLAMP, HOSE | 4 |
| 4 | 107417 | HOSE, RUBBER 1/2" ID X 0.84" OD | A/R |
| 5 | 108954 | NUT, GRIP, 6-32 W/NYLON INSERT SST | 2 |
| 6 | 110562 | THERMOSTAT, FIXED, SNAP, 240°F | 1 |
| 7 | 0513880 | PLUG, 3/8" NPT FACE | 1 |
| 8 | 0512928 | GASKET, HEATER | 1 |
| 9 | 0512847 | HEATER, SCREW PLUG, 4KW 208V (Does not include gasket) | 1 |
| — | 0512848 | HEATER, SCREW PLUG, 6KW 220V (Does not include gasket) | 1 |
| 10 | 100210 | PLUG, 1/8" NPT SQ. HEAD, SST | 1 |
| 11 | 0512185 | BOLT, HEX FLANGE 1/4-20 X 3/8" SST | 2 |
| 12 | 0713850 | TANK, BOOSTER | 1 |
| 13 | 0512134 | TEE, 3/4" POLY | 1 |
| — | | HARNESS, WIRING | 1 |

Control Panel



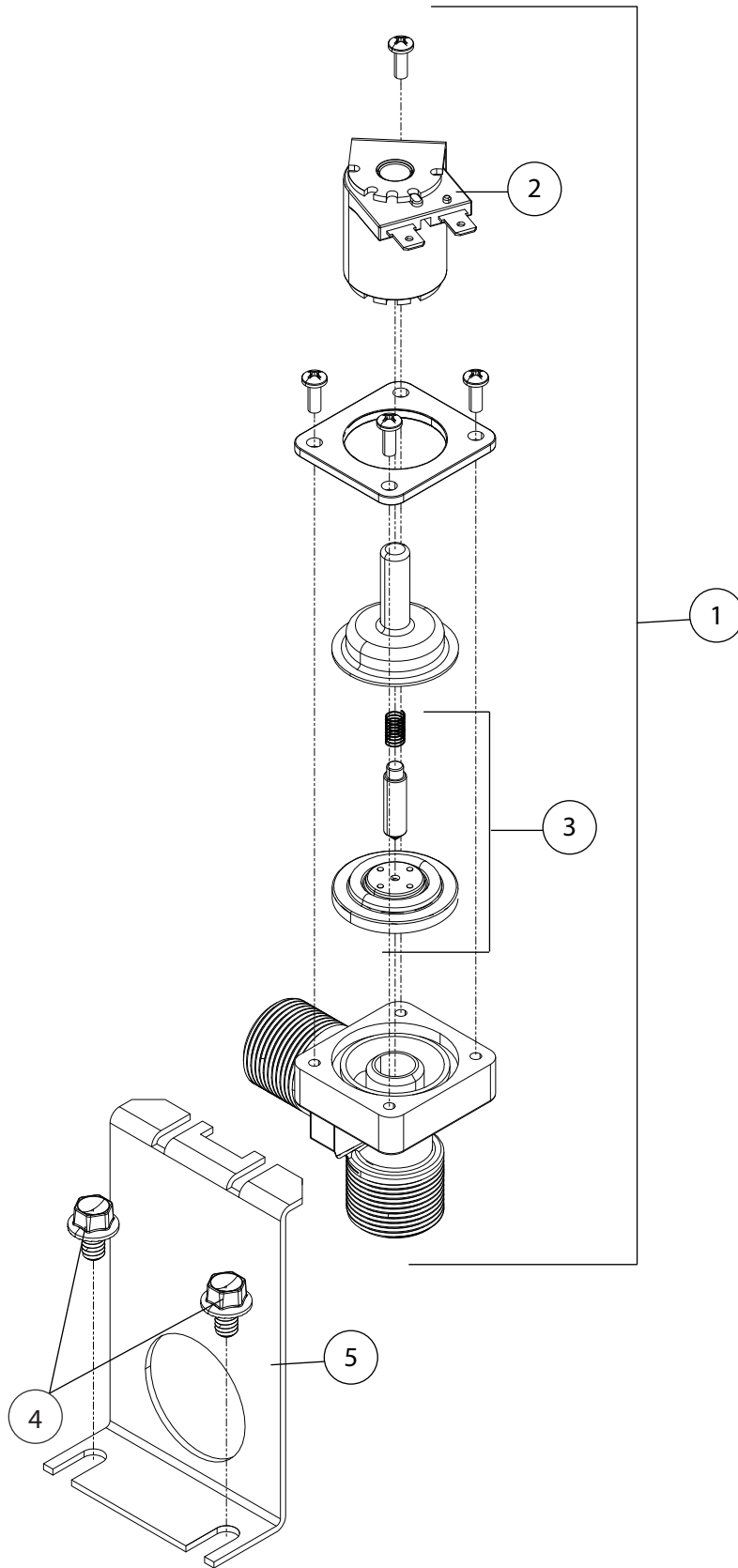
| Item No. | Part No. | Description | Qty. |
|----------|----------|--|------|
| 1 | 0313864 | PANEL, FACIA | 1 |
| 2 | 0513834 | LABEL, FACIA | 1 |
| 3 | 0512216 | CONTACT, MOMENTARY, N.O. | 1 |
| 4 | 0512217 | HOUSING, SWITCH | 1 |
| 5 | 0512218 | BUTTON, SWITCH (GREEN) | 1 |
| 6 | 0512226 | SWITCH, ROCKER SPDT, MOMENTARY (PRIME) | 1 |
| 7 | 0512920 | SWITCH, ROCKER (ON-OFF/DRAIN) | 1 |
| 8 | 0501408 | SCREW, TRUSS, SLOT 8-32 X 1/2" SST | 2 |
| 9 | 0512320 | STEAM, GASKET | 2 |
| 10 | 0512357 | STANDOFF, LED DISPLAY | 2 |
| 11 | 0503580 | NUT, KEPS, 10-32 | 2 |
| 12 | 0501563 | SCREW, #8 X 3/8" PHILS TRUSS HD. SST | 4 |
| 13 | 0513830 | BOARD, CONTROL CIRCUIT | 1 |
| 14 | 0513869 | LED DISPLAY, SURROUND | 1 |
| 15 | 0501563 | SCREW, #8 X 3/8" | 2 |
| — | 0513795 | FUSE, 1/16A (NOT SHOWN) | 1 |
| — | 0512373 | FUSE, 4A (NOT SHOWN) | 1 |
| — | 0513837 | HARNESS, SENSOR | 1 |
| — | 0513836 | HARNESS, SWITCH | 1 |

Power Wiring Box



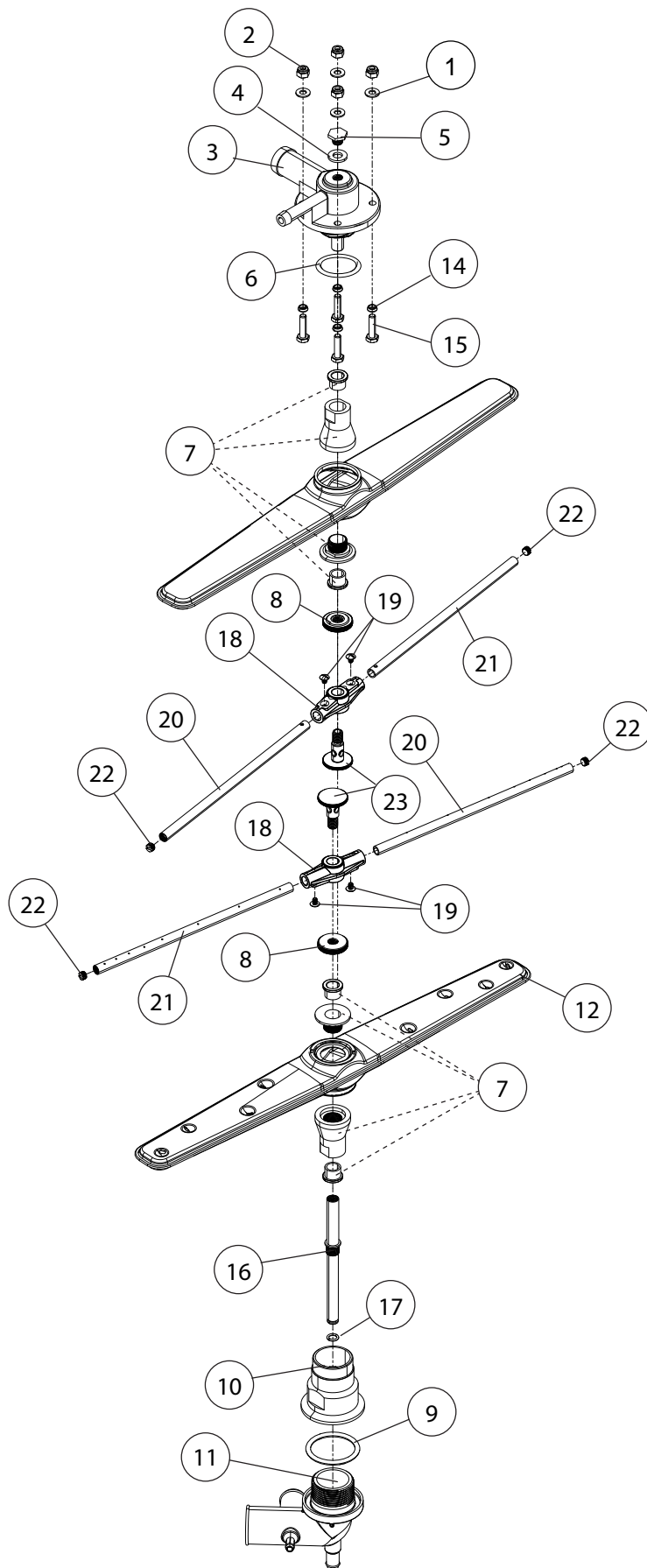
| Item No. | Part No. | Description | Qty. |
|----------|-------------------------|---|------|
| 1 | 0512472 | LABEL, CONNECTION BOX | 1 |
| 2 | 0313396 | COVER, BOX WIRING | 1 |
| 3 | 0313395 | BOX, WIRING | 1 |
| 4 | 0503638 | SCREW, 6-32 X 1/4" | 2 |
| 5 | 103310 | LUG, GROUND | 1 |
| 6 | 0512185 | SCREW, 1/4-20 X 3/8" | 1 |
| 7 | 0509527 | BLOCK, TERMINAL, 4-POLE | 1 |
| 8 | 0501412 | SCREW, 10-32 X 3/8", TRUSS HD. | 2 |
| 9 | 107964 | BUSHING, STRAIN RELIEF, SMALL | A/R |
| 10 | 0512432 | CONTACTOR, 3-POLE , 25/40A, 120VAC COIL | 1 |
| 11 | 0512792 | SCREW, 10-32 X 1/4" | 2 |
| 12 | 0513106 | RELAY, DPDT, 30A, 120VAC COIL | 1 |
| 13 | 0503592 | LABEL, GROUND | 1 |
| — | 0513838 | MAIN WIRING HARNESS (NOT SHOWN) | 1 |

Fill Valve



| Item No. | Part No. | Description | Qty. |
|-----------------|-----------------|--|-------------|
| 1 | 0512853 | VALVE, WATER INLET 115VAC/60/1 (Includes Items 2 and 3) | 1 |
| 2 | 0512861 | COIL, 115VAC/60/1, 7W | 1 |
| 3 | 0512860 | KIT, REPAIR SOLENOID VALVE | A/R |
| 4 | 0512185 | BOLT, HEX FLANGE 1/4-20 X 3/8" SST | 2 |
| 5 | 0313862 | BRACKET, VALVE | 1 |

Wash and Rinse Spray Arms

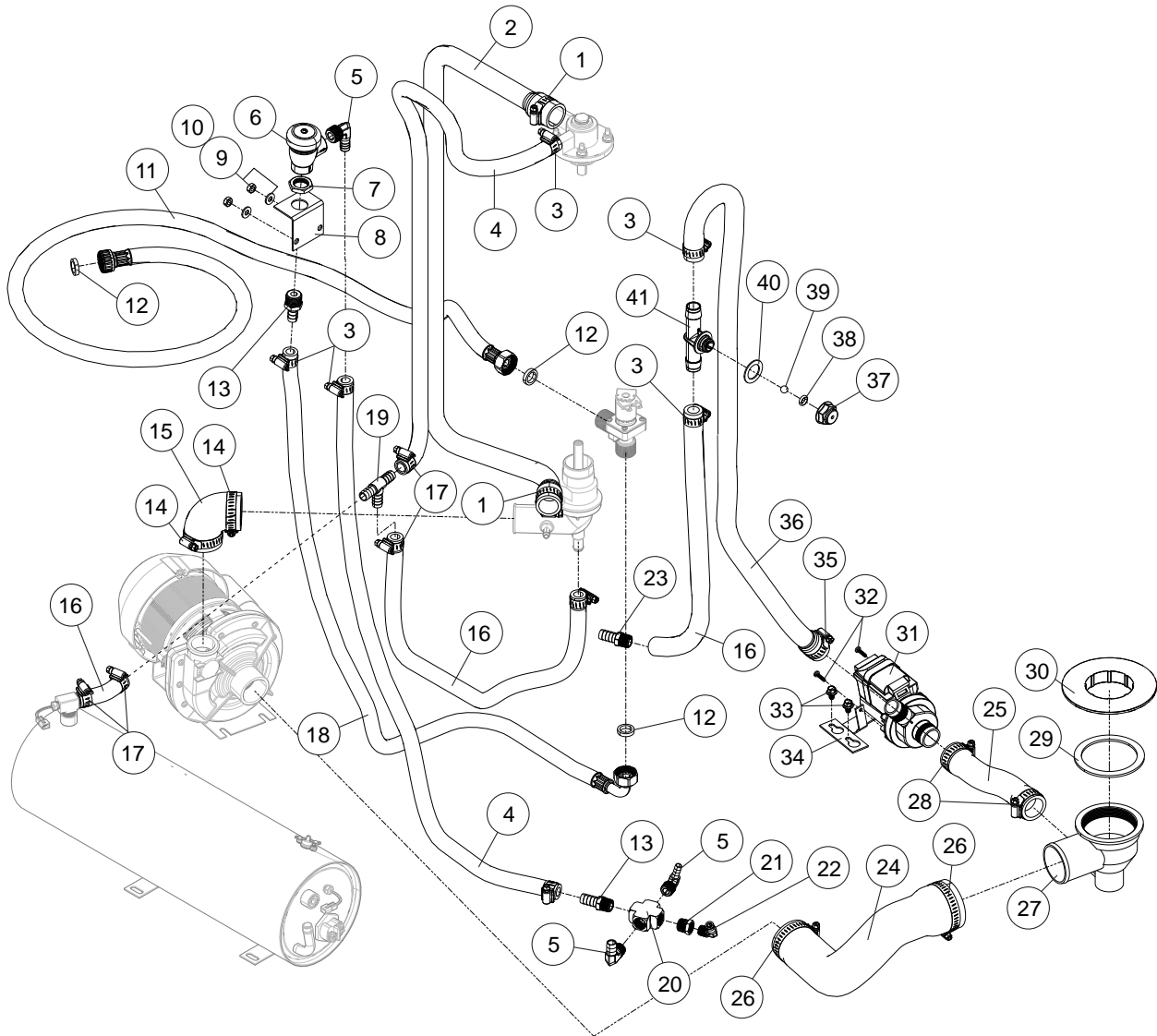


| Item No. | Part No. | Description | Qty. |
|----------|----------|---|------|
| 1 | 0501478 | WASHER, 17/64 id X 9/16" OD SST | 4 |
| 2 | 107967 | NUT, GRIP 1/40-20 NYLON INSERT SST | 4 |
| 3 | H35509 | HUB, UPPER SPRAY ARM | 1 |
| 4 | 107873 | WASHER, PACKING | 1 |
| 5 | 110215 | PLUG, UPPER MANIFOLD | 1 |
| 6 | 0512133 | O-RING, 2-1/8" OD X 1-3/4" ID X 3/16" | 1 |
| 7* | 0712749 | BEARING ASSEMBLY | 2 |
| 8 | H34998 | SPACER, NUT | 2 |
| 9 | 0512133 | O-RING, 2-1/8" OD X 1-3/4" ID X 3/16" | 1 |
| 10 | 0512066 | HUB, LOWER WASH ARM | 1 |
| 11 | 0512918 | MANIFOLD, LOWER FWR | 1 |
| 12 | H420548 | WASH ARM ASSEMBLY <i>(Includes Item 7)</i> | 2 |
| 14 | 0501481 | WASHER, NYLITE | 4 |
| 15 | 100738 | BOLT, 1/4-20 X 1" SST | 4 |
| 16 | 0512124 | SHAFT, LOWER | 1 |
| 17 | 0512239 | O-RING | 1 |
| 18 | 0312840 | HUB, RINSE ARM, MOLDED | 2 |
| 19 | 0501408 | SCREW, TRUSS SLOTTED 8-32 X 1/4" SST | 4 |
| 20 | 0512841 | ARM, RIGHT-HAND RINSE (7 JETS) | 2 |
| 21 | 0512842 | ARM, LEFT-HAND RINSE (8 JETS) | 2 |
| 22 | 0512843 | CAP, RINSE ARM, 5/16-24 | 4 |
| 23 | H36275 | SPINDLE, RINSE ARM | 2 |
| — | 0712834 | RINSE ARM ASSEMBLY <i>(Includes Items 8, 18-23)</i> | 2 |

* Note:

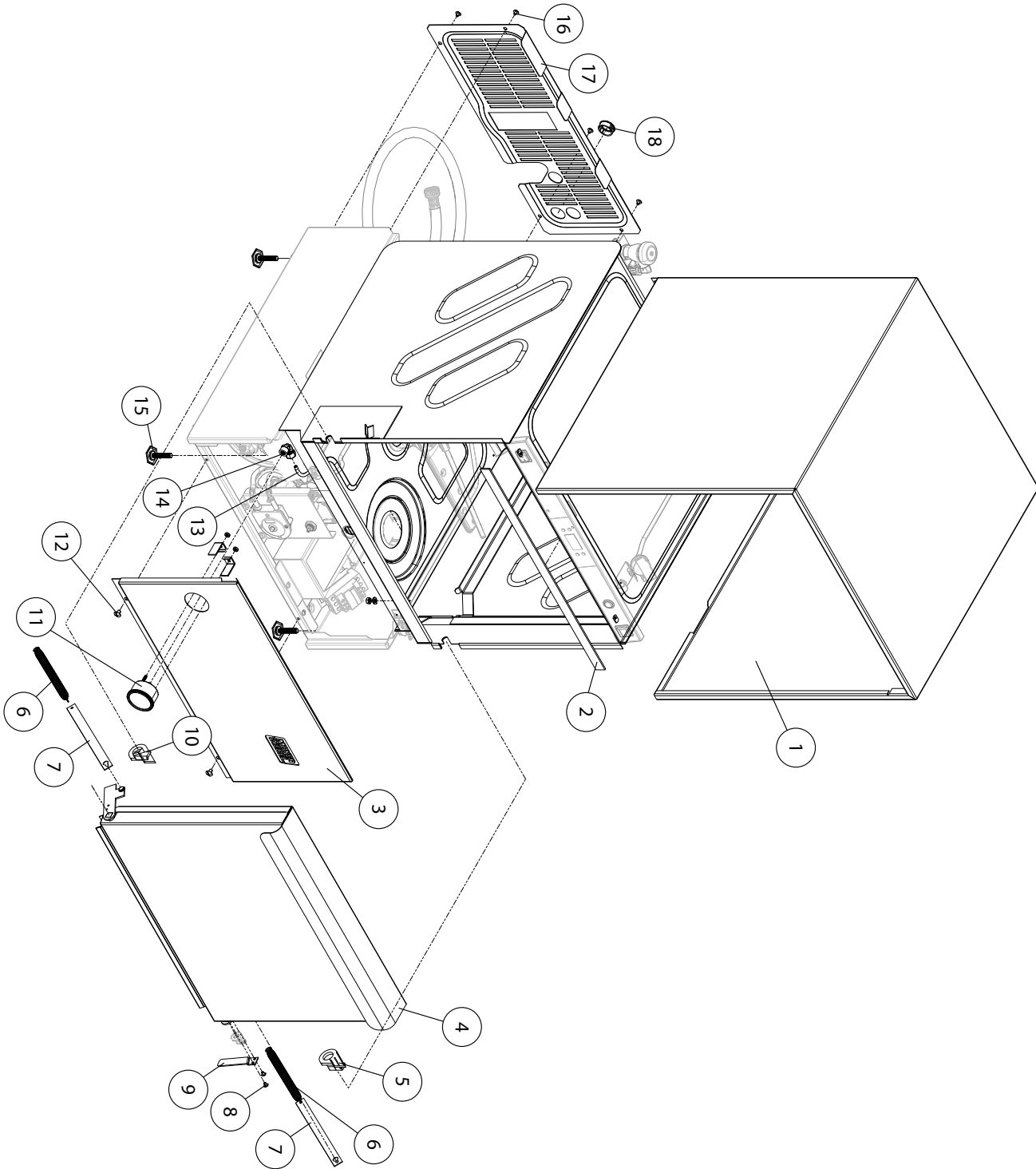
The bearing assembly, P/N 0712749 includes 2 bearings, 1 locknut, and 1 wash arm hub. The bearings, locknut and hub are not available as separate service replacement parts.

Hoses and Drain Pump



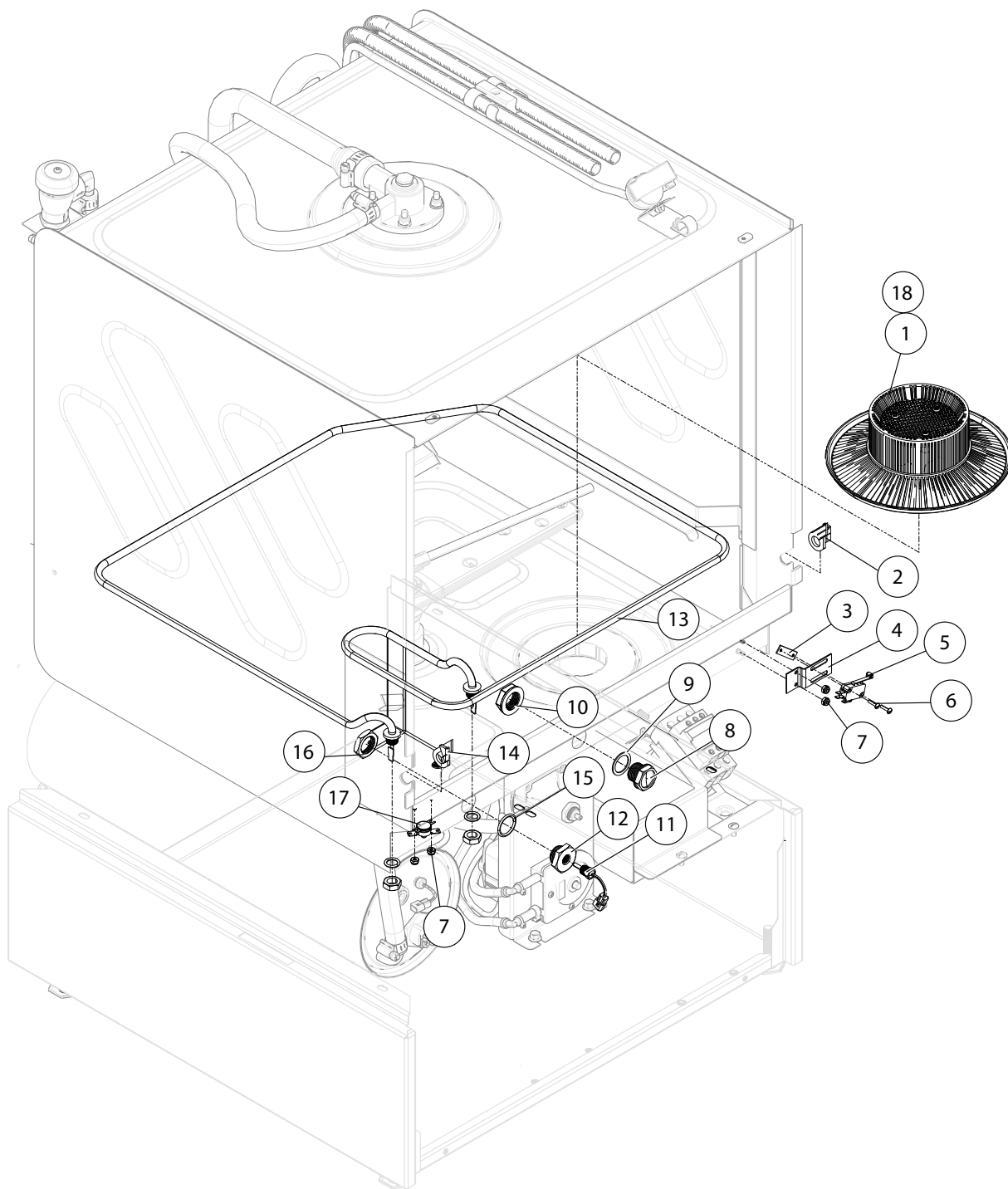
| Item No. | Part No. | Description | Qty. |
|----------|-----------|--|------|
| 1 | 0502571 | CLAMP, HOSE | 2 |
| 2 | 0512120 | HOSE, UPPER WASH ARM | 1 |
| 3 | 0503679 | CLAMP, HOSE GEAR-TYPE SST | 6 |
| 4 | 107417 | HOSE, RUBBER 1/2" ID X .84" OD | A/R |
| 5 | 0502653 | ELBOW, 90° 3/8" MPT X 1/2" HOSE | 3 |
| 6 | 100500 | BREAKER, VACUUM 1/2" | 1 |
| — | 0508366 | KIT, REPAIR VACUUM BREAKER | A/R |
| 7 | 201029-1 | NUT, LOCK 1/2" NP | 1 |
| 8 | 0312190 | BRACKET, VACUUM BREAKER | 1 |
| 9 | 0501501 | WASHER, SPLIT 1/4" SST | 2 |
| 10 | 0501539 | NUT, HEX 1/4-20 SST | 2 |
| 11 | 0512925 | HOSE, FILL | 1 |
| 12 | 0512936 | WASHER, SILICON 5/8" ID X 7/8" OD | 3 |
| 13 | 0502618 | BARB, HOSE 1/2" X 3/8 MPT | 2 |
| 14 | 0502571 | CLAMP, HOSE | 2 |
| 15 | 0512119 | HOSE, DISCHARGE WASH PUMP | 1 |
| 14 | 0502571 | CLAMP, HOSE GEAR-TYPE | 2 |
| 15 | 0512119 | HOSE, DISCHARGE | 1 |
| 16 | 0509302 | HOSE, 5/8" ID X 1" OD | A/R |
| 17 | 0508808 | CLAMP, HOSE | 4 |
| 18 | 0512926 | HOSE, BOOSTER FILL | 1 |
| 19 | 0512134 | TEE, 3/4" POLY. | 1 |
| 20 | 0502583 | CONNECTOR, CROSS 3/8" | 1 |
| 21 | 0502577 | BUSHING, REDUCER 3/8" X 1/4 NPT | 1 |
| 22 | 0513845 | ELBOW, 1/4" TUBE X 1/4" MPT BRASS | 1 |
| 23 | 0512231 | COUPLER, 3/4" MPT X 3/4" HOSE BARB | 1 |
| 24 | 0512855 | HOSE, SUCTION WASH PUMP | 1 |
| 25 | 0502668 | HOSE, DRAIN PUMP SUCTION | 1 |
| 26 | 0512322 | CLAMP, HOSE | 2 |
| 27 | D500605 | ELBOW, PUMP SUCTION | 1 |
| 28 | 0502563 | CLAMP, HOSE GEAR-TYPE | 2 |
| 29 | D80208 | GASKET, PUMP SUCTION | 1 |
| 30 | D540088 | FLANGE, PUMP SUCTION | 1 |
| 31 | 0512227 | PUMP, DRAIN | 1 |
| 32 | 109835 | SCREW, #8 X 1/2" SELF-TAPPING | 2 |
| 33 | 0512185 | BOLT, HEX FLANGE, 1/4-20 X 3/8" SST | 2 |
| 34 | 0312145-2 | BRACKET, DRAIN PUMP | 1 |
| 35 | 0512322 | CLAMP, HOSE GEAR-TYPE 1-13/16"- 2-3/4" MAX SST | 1 |
| 36 | 0513849 | HOSE, DRAIN MOLDED | 1 |
| 37 | 0513842 | NUT, ANTI-SIPHON VALVE | 1 |
| 38 | 0513847 | O-RING | 1 |
| 39 | 0513843 | BALL, 3/8" DIA. SST | 1 |
| 40 | 0513848 | WASHER, SILICONE | 1 |
| 41 | 0513841 | BODY, ANTI-SIPHON VALVE | 1 |
| — | 0506015 | NIPPLE, 3/8" (NOT SHOWN) | 1 |
| — | 0507324 | VALVE, CHECK 3/8" (NOT SHOWN) | 1 |

Panels and Door



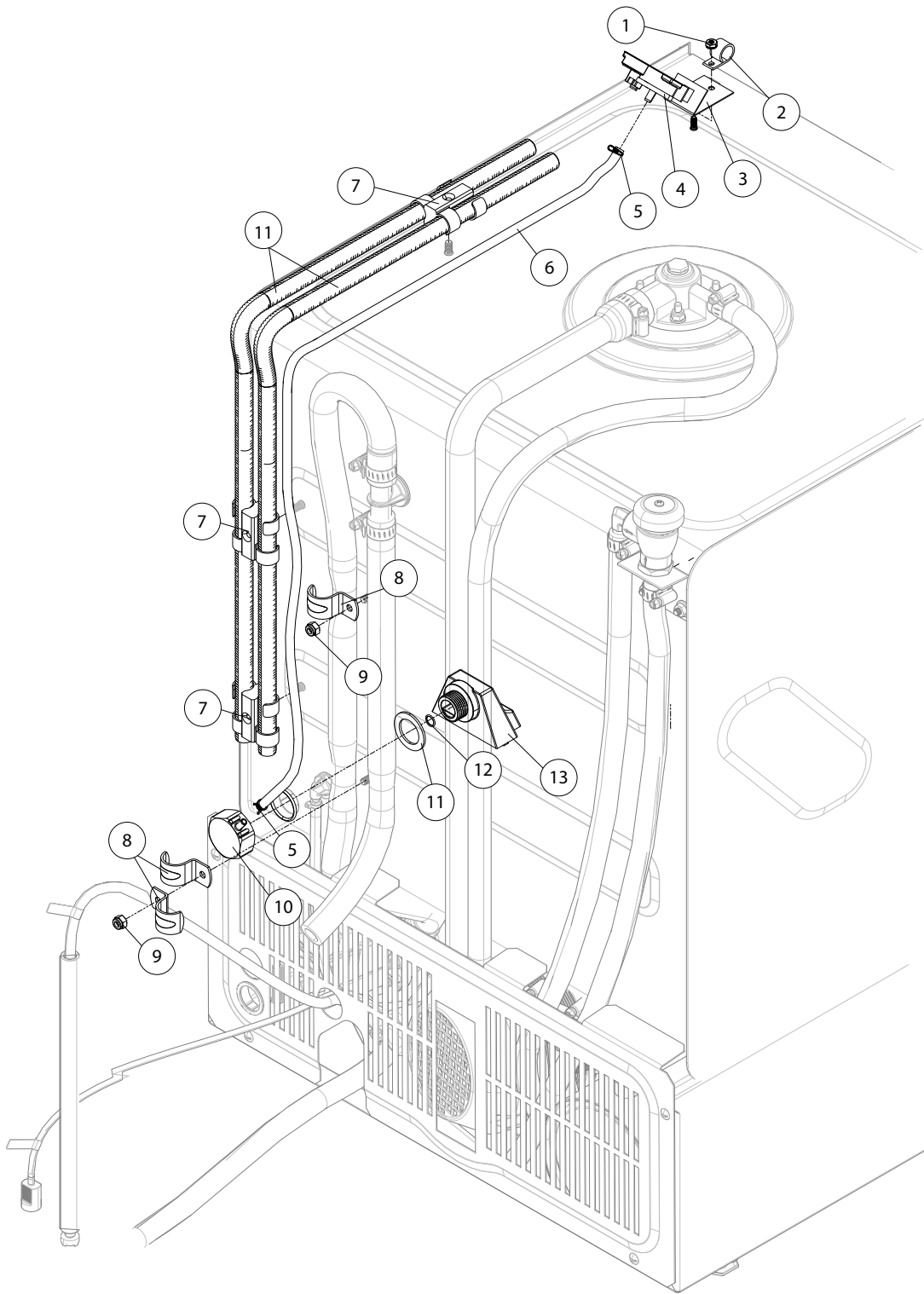
| Item No. | Part No. | Description | Qty. |
|----------|----------|--|------|
| 1 | 0312905 | WRAP, OUTER PANEL | 1 |
| 2 | 0512930 | GASKET, DOOR, 1/8" X 7/8" 22-5/8" | 1 |
| 3 | 0313863 | PANEL, FRONT | 1 |
| 4 | 0713141 | DOOR | 1 |
| 5 | 0512953 | GASKET, RH DOOR HINGE | 1 |
| 6 | 0512854 | SPRING, DOOR | 2 |
| 7 | 0312892 | ARM, DOOR SPRING | 2 |
| 8 | 0503745 | SCREW, 8-32 X 3/16" PHIL. SST | 2 |
| 9 | 0312908 | ACTIVATOR, DOOR SWITCH | 1 |
| 10 | 0512954 | GASKET, LH DOOR HINGE | 1 |
| 11 | 109812 | GAUGE, PRESSURE 0-60PSI | 1 |
| 12 | 100779 | SCREW, 1/4-20 X 5/8" TRUSS HD. PHIL. SST | 2 |
| 13 | 107928 | TUBING, 1/4" NATURAL | A/R |
| 14 | 111100 | ADAPTOR, 1/4" X 1/8" NPT FEMALE PLASTIC | 1 |
| 15 | 0503718 | FOOT, ADJUSTING | 4 |
| 16 | 0501412 | SCREW TRUSS PHIL.10-32 X 3/8" SST | 5 |
| 17 | 0313867 | PANEL, REAR | 1 |

Upper Tank



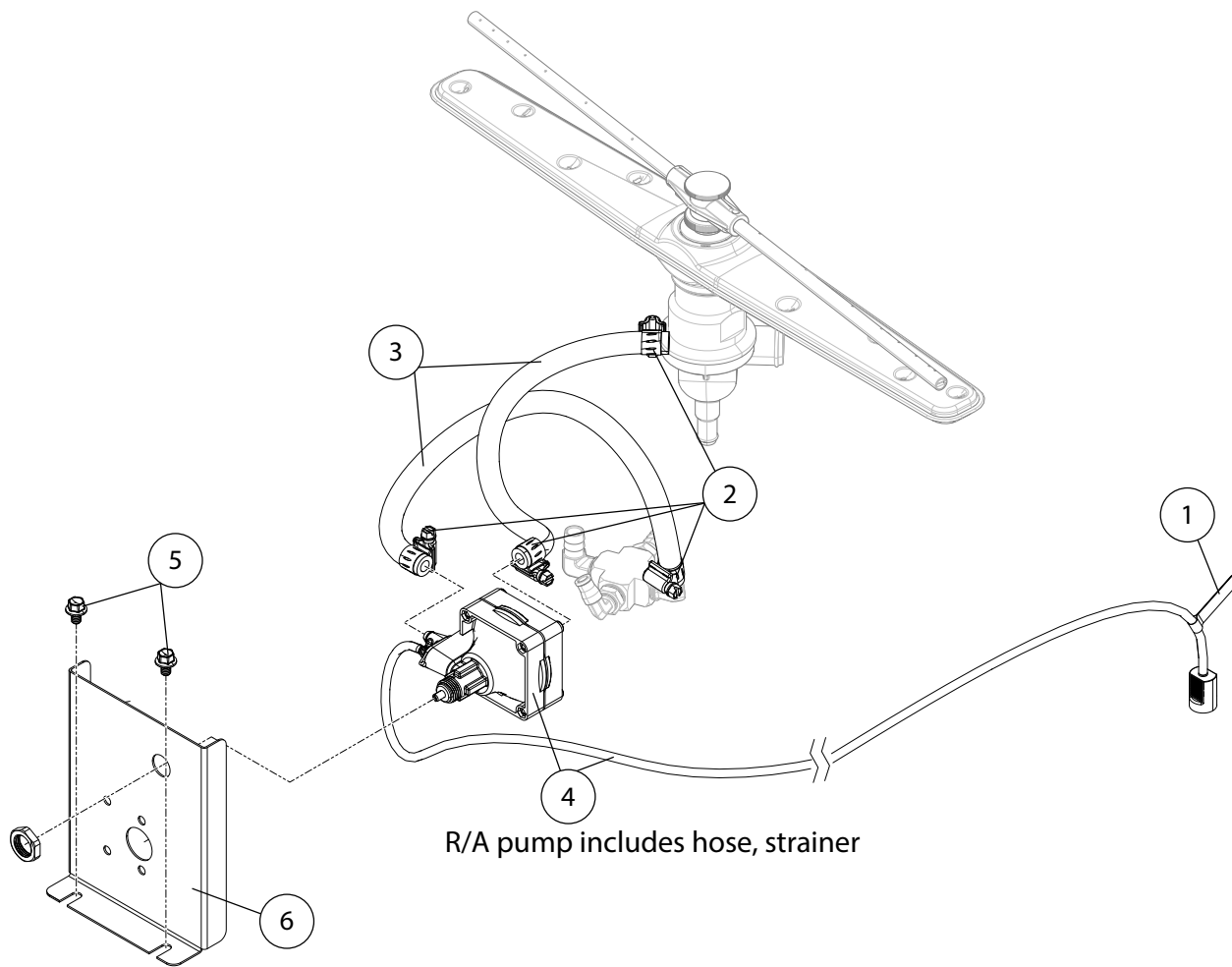
| Item No. | Part No. | Description | Qty. |
|----------|----------|--|------|
| 1 | 0512845 | SCREEN, SCRAP (ORDER WITH ITEM 18) | 1 |
| 2 | 0512953 | GASKET, RH DOOR HINGE | 1 |
| 3 | 0307369 | PLATE, NUT 4-40 | 1 |
| 4 | 0312948 | BRACKET, SWITCH DOOR | 1 |
| 5 | 0501379 | SWITCH, DOOR 15A | 1 |
| 6 | 0501437 | SCREW, 4-40 X 1/2" PAN HEAD PHILS. SST | 2 |
| 7 | 108954 | NUT, GRIP 6-32 W/NYLON INSERT SST | 2 |
| 8 | 108418 | PLUG, 1/2" | 1 |
| 9 | 109034 | GASKET, FIBER | 1 |
| 10 | 108417 | NUT | 1 |
| 11 | 0513310 | THERMISTER | 1 |
| 12 | 0512299 | ADAPTER, THERMISTER | 1 |
| 13 | 0512846 | ELEMENT, TANK 2kW 240VAC | 1 |
| 14 | 0512594 | GASKET, LH DOOR HINGE | 1 |
| 15 | 0512099 | O-RING | 1 |
| 16 | 201029-1 | NUT, 1/2" NP | 1 |
| 17 | 113604 | THERMOSTAT, FIXED SNAP, 212°F | 1 |
| 18 | 0313868 | SCREEN, PERFORATED METAL (ORDER WITH ITEM 1) | 1 |

Tank Rear



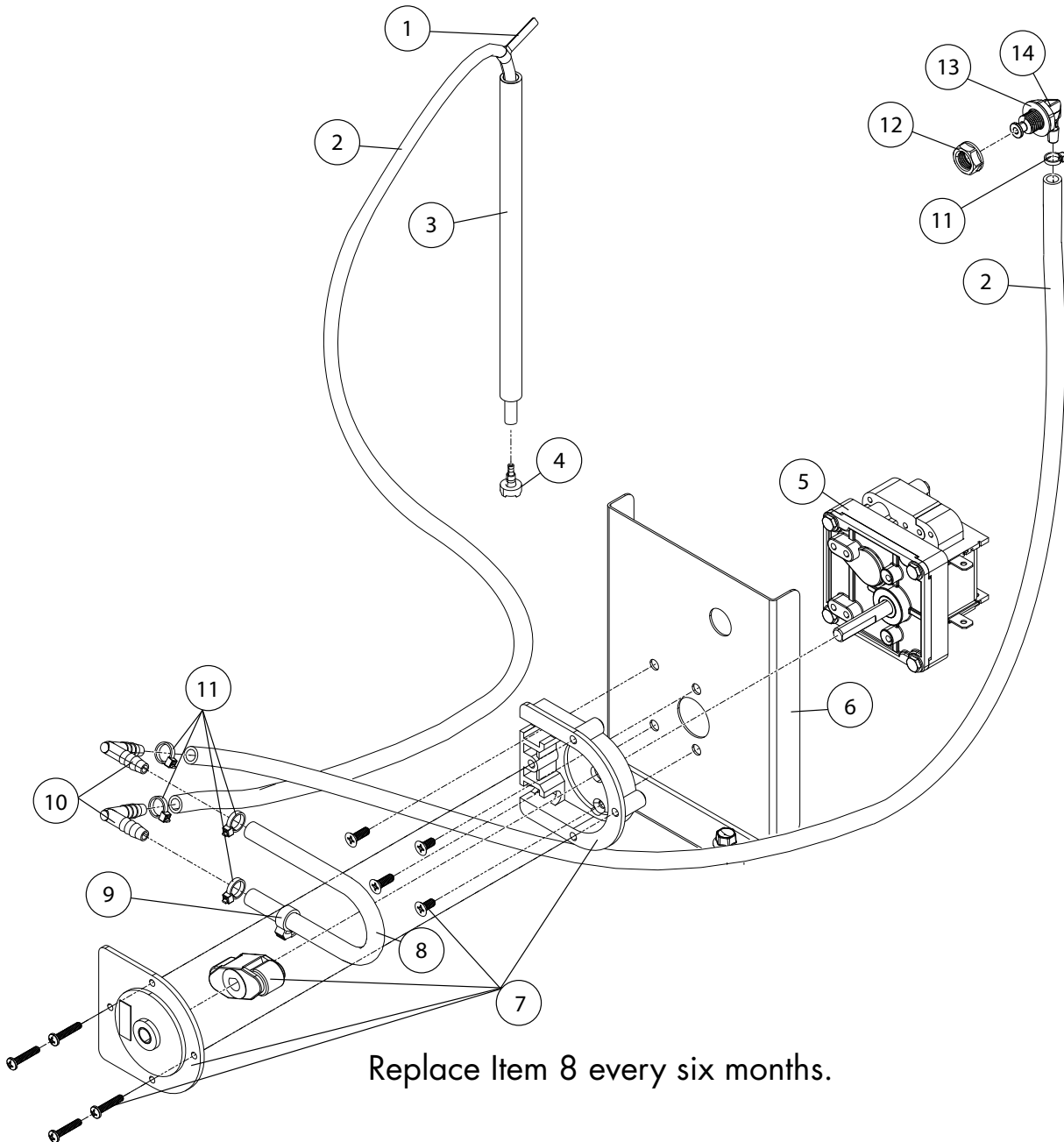
| Item No. | Part No. | Description | Qty. |
|----------|----------|--------------------------------------|------|
| 1 | 0503580 | NUT, 10-32 SST | 1 |
| 2 | 0513645 | CLIP | 1 |
| 3 | 0313865 | BRACKET, SENSOR | 1 |
| 4 | 0513831 | SENSOR, LEVEL | 1 |
| 5 | H450134 | CLAMP, HOSE | 2 |
| 6 | H160121 | HOSE, AIR | A/R |
| 7 | 0512761 | CLAMP, DOUBLE CONDUIT | 3 |
| 8 | B502523 | CLAMP, 3/4" PLATED STRAP | 3 |
| 9 | 107967 | NUT, GRIP, 1/4-20 W/NYLON INSERT SST | 3 |
| 10 | H25010 | TRAP, AIR | 1 |
| 11 | H25263 | GASKET, AIR TRAP | 1 |
| 12 | H25239 | O-RING | 1 |
| 13 | H25011 | COVER, AIR TRAP | 1 |

Rinse-aid Dispensing Pump



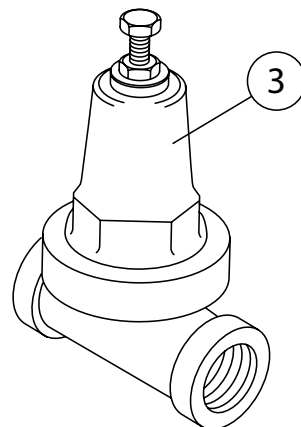
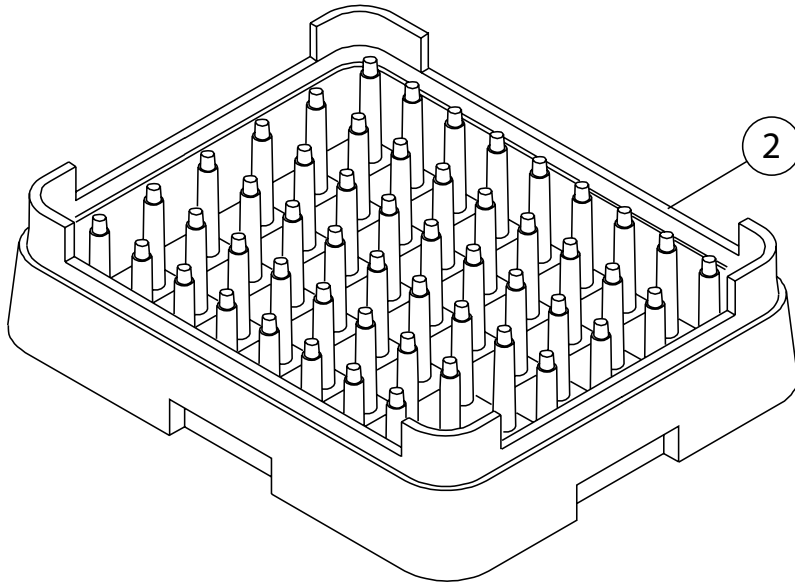
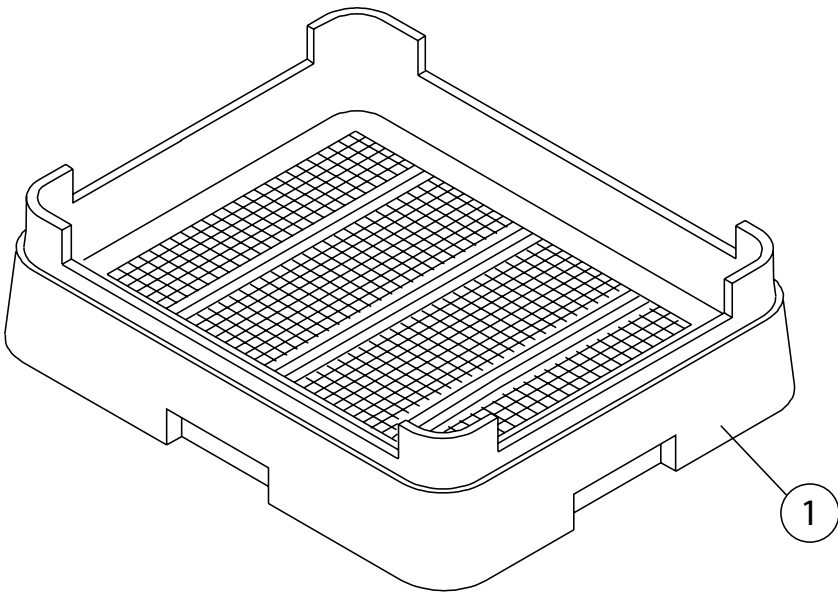
| Item No. | Part No. | Description | Qty. |
|-----------------|-------------------------|-------------------------------------|-------------|
| 1 | 0505483 | LABEL, RINSE-AID | 1 |
| 2 | 0502572 | CLAMP | 4 |
| 3 | 0502663 | HOSE | A/R |
| 4 | 0512998 | PUMP, RINSE-AID | 1 |
| 5 | 0512185 | BOLT, HEX FLANGE, 1/4-20 X 3/8" SST | 2 |
| 6 | 0313861 | BRACKET, CHEMICAL PUMP | 1 |

Detergent Dispensing Pump



| Item No. | Part No. | Description | Qty. |
|----------|-----------|--|------|
| 1 | 0503695 | LABEL, DETERGENT | 1 |
| 2 | 0502667 | HOSE, 1/4ID X 3/8OD PVC | A/R |
| 3 | 0306363 | TUBE,1/2IDX11-7/8LG. STIFFENER | 1 |
| 4 | 0501869 | STRAINER | 1 |
| 5 | 0510870-1 | GEARMOTOR, 115/60/1 | 1 |
| 6 | 0313861 | BRACKET, CHEMICAL PUMP | 1 |
| 7 | 114203 | PUMP HD KIT, PERISTALIC | 1 |
| 8 | 114202 | TUBE ASY,SANTOPRENE, 3/16 X 3/8 X 8.5 LG | 1 |
| 9 | 0512369 | CLAMP, SNAP HOSE | 1 |
| 10 | 0502644 | ELBOW, 1/4 HOSE BARB | 1 |
| 11 | 0501519 | TIE, NYLON 4" | 5 |
| 12 | 0513672 | NUT | 1 |
| 13 | 110750 | GASKET | 1 |
| 14 | 0713656 | KIT, DETERGENT FITTING | 1 |

Dish Racks, PRV



| Item No. | Part No. | Description | Qty. |
|-----------------|-----------------|---|-------------|
| 1 | 101273 | DISH RACK, FLAT-BOTTOM | A/R |
| 2 | 101285 | DISH RACK, PEG | A/R |
| 3 | 108265 | VALVE, PRESSURE. REGULATING 1/2" NPT BRONZE | 1 |

***This Page
Intentionally
Left Blank***