

BHTR	BOOSTER HEATER	CT	CONTACTOR	1CR	RELAY
BLK	BLACK	CTC	CONTACTOR COIL	DDS	DOOR SAFETY SWITCH
BLU	BLUE	DM	DETERGENT MOTOR	RM	RINSE MOTOR (IF USED)
CAM 1	HOMING	DP	DRAIN PUMP (IF USED)	SRC	Current Operated Start Relay
CAM 2	PUMP MOTOR	DS	DOOR SWITCH	SS	SERVICE SWITCH
CAM 3	PUMP MOTOR REVERSING	DV	DRAIN VALVE	TM	TIMER MOTOR
CAM 4	DRAIN	FV	FILL VALVE	TP	THERMAL PROTECTOR
CAM 5	FILL	GND	GROUND	WHT	WHITE
CAM 6	RINSE	GRN	GREEN	WHTR	WATER HEATER
CAM 7	DETERGENT	HTLS	HIGH LIMIT THERMOSTAT	WTS	WATER THERMOSTAT
CAM 8	CYCLE	MSW	MAIN SWITCH On/Fill- Off/Drain		
CLT	CYCLE ON LIGHT	PSDR	Prime Switch, Detergent/Rinse		

0509643B

CUSTOMER TO SUPPLY RATED VOLTAGE/
PHASE/Hz, AS SPECIFIED PER ORDER, TO
DISCONNECT SWITCH. ALL POWER SUPPLIED
TO EACH CONNECTION POINT MUST
COMPLY WITH ALL LOCAL ELECTRICAL CODES.

Figure 15 — Electrical Diagram, 401-HT (50 Hz)

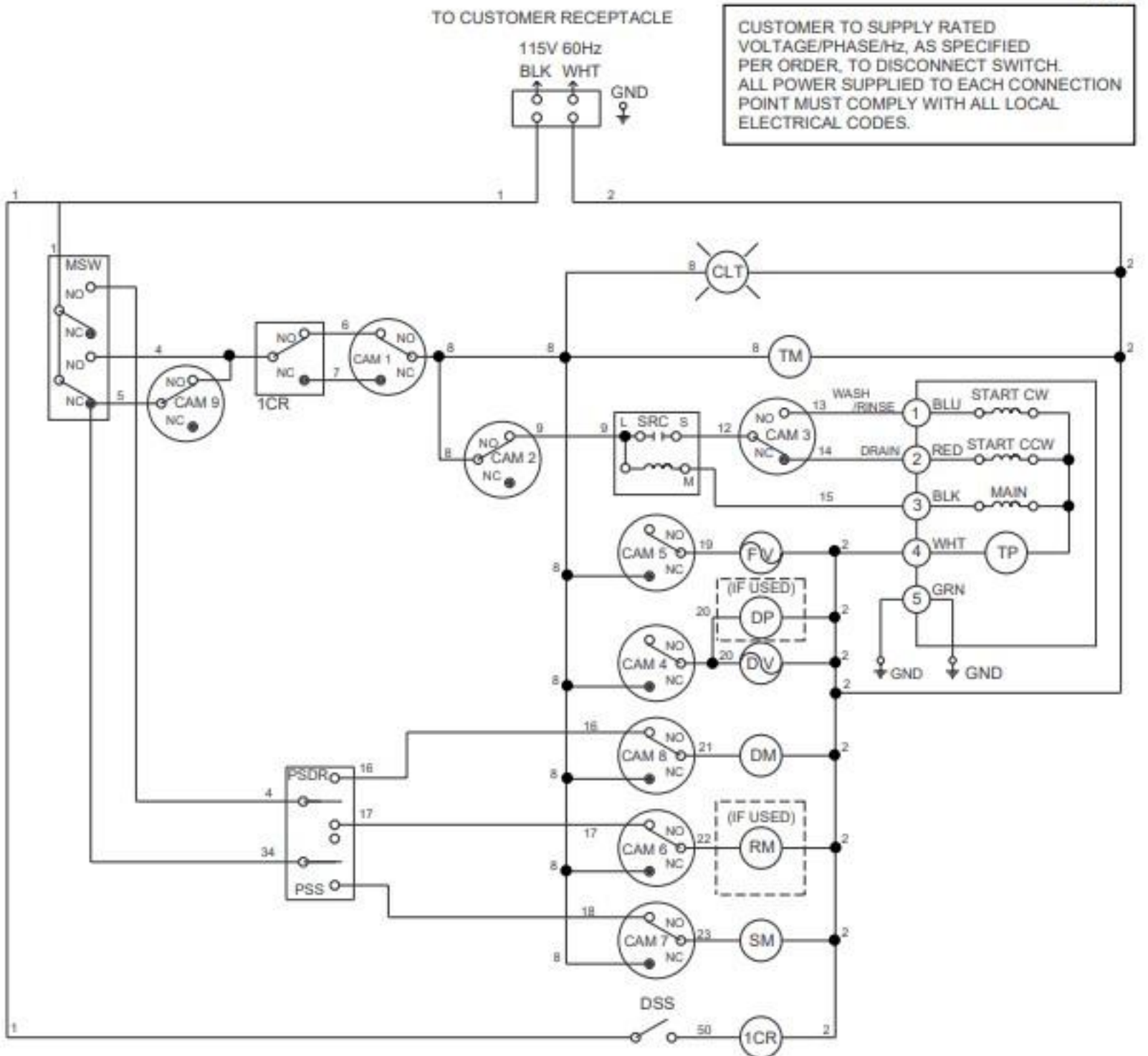
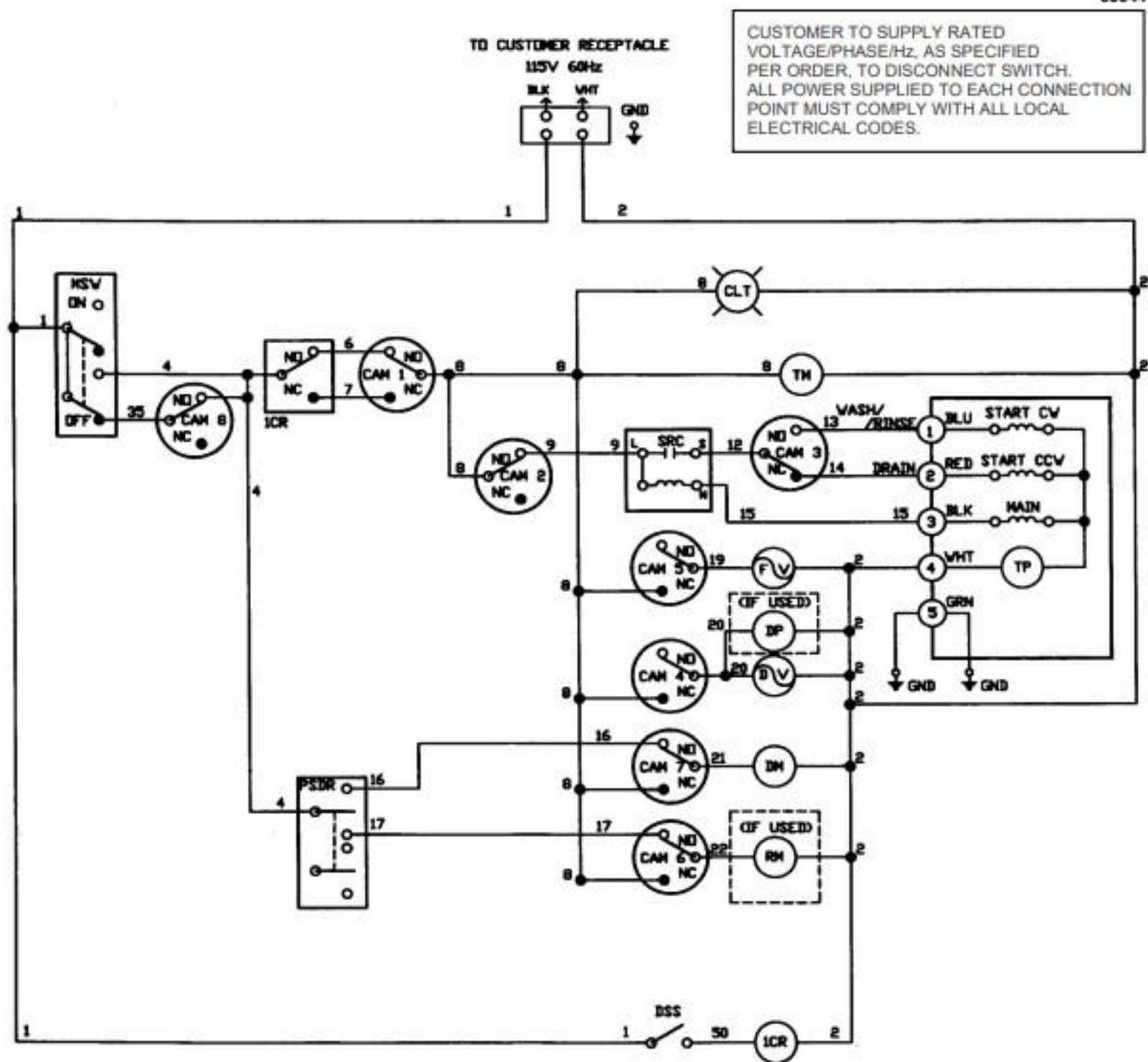


Figure 14 — Electrical Diagram, 401-LT

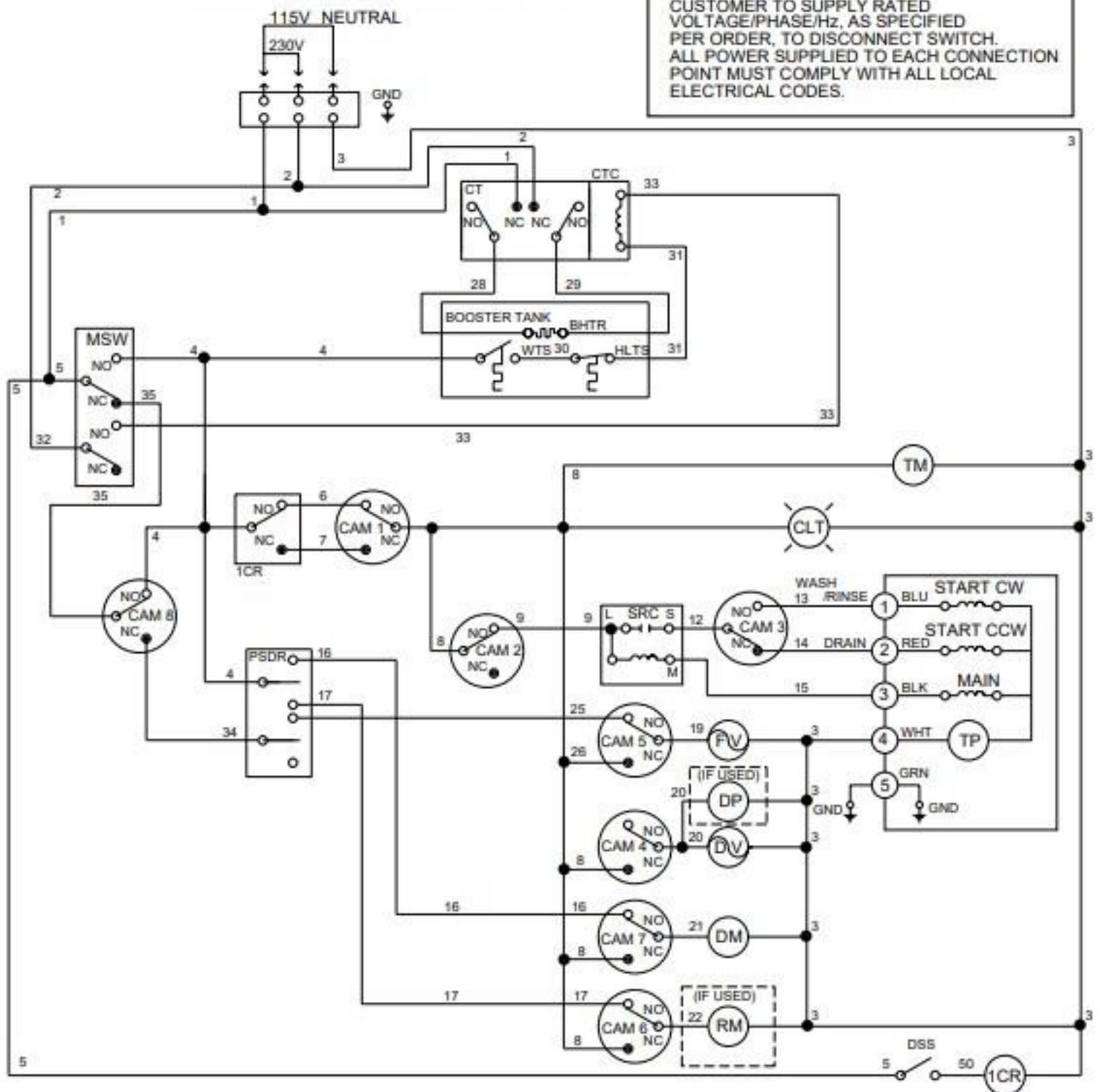


BLK	BLACK	CLT	CYCLE ON LIGHT	PSS	PRIME SWITCH SANITIZER
BLU	BLUE	DM	DETERGENT MOTOR	ICR	RELAY
CAM 1	HOMING	DP	DRAIN PUMP (IF USED)	DSS	REED SWITCH
CAM 2	PUMP MOTOR	RL	RELAY	RM	RINSE MOTOR (IF USED)
CAM 3	PUMP MOTOR REVERSING	DV	DRAIN VALVE	SRC	CURRENT OPERATED START RELAY COIL
CAM 4	DRAIN	FV	FILL VALVE	SM	SANITIZER MOTOR
CAM 5	FILL	GND	GROUND	TM	TIMER MOTOR
CAM 6	RINSE	GRN	GREEN	TP	THERMAL PROTECTOR
CAM 7	SANITIZER	HTLS	HIGH LIMIT THERMOSTAT	WHT	WHITE
CAM 8	DETERGENT	MSW	MAIN SWITCH ON/FILL OFF/DRAIN	WHTR	WATER HEATER
CAM 9	CYCLE	PSSDR	PRIME SWITCH DETERGENT, RINSE	WTS	WATER THERMOSTAT

Figure 13 — Electrical Diagram, 401-HTN

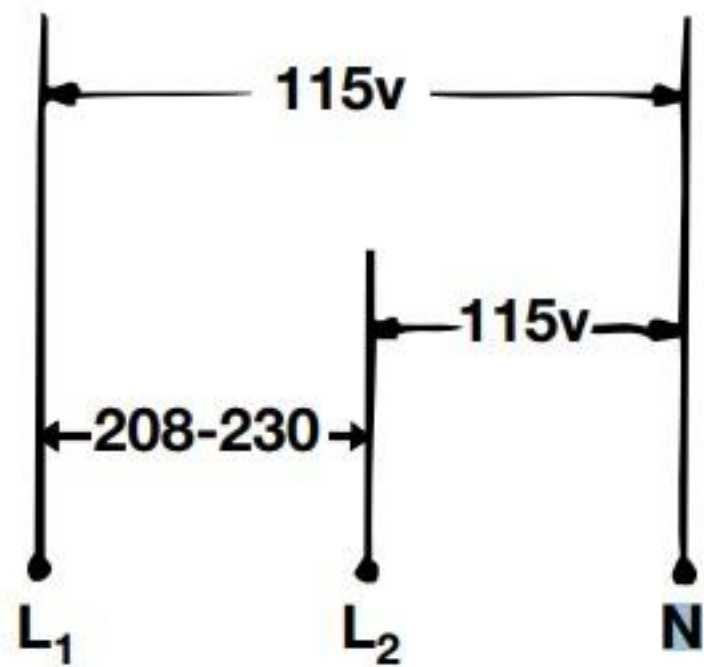
TO CUSTOMER DISCONNECT SWITCH

CUSTOMER TO SUPPLY RATED VOLTAGE/PHASE/HZ, AS SPECIFIED PER ORDER, TO DISCONNECT SWITCH. ALL POWER SUPPLIED TO EACH CONNECTION POINT MUST COMPLY WITH ALL LOCAL ELECTRICAL CODES.



BHTR	BOOSTER HEATER	CT	CONTACTOR	PSDR	PRIME SWITCH DETERGENT, RINSE
BLK	BLACK	CTC	CONTACTOR COIL	ICR	RELAY
BLU	BLUE	DM	DETERGENT MOTOR	DDS	DOOR SAFETY SWITCH
CAM 1	HOMING	DP	DRAIN PUMP (IF USED)	RM	RINSE MOTOR (IF USED)
CAM 2	PUMP MOTOR	DS	DOOR SWITCH	SRC	CURRENT OPERATED START RELAY COIL
CAM 3	PUMP MOTOR REVERSING	DV	DRAIN VALVE	SS	SERVICE SWITCH
CAM 4	DRAIN	EC/D	EXTENDED CYCLE/DELIME	TM	TIMER MOTOR
CAM 5	FILL	FV	FILL VALVE	TP	THERMAL PROTECTOR
CAM 6	RINSE	GND	GROUND	WHT	WHITE
CAM 7	DETERGENT	GRN	GREEN	WHTR	WATER HEATER
CAM 8	CYCLE	HTLS	HIGH LIMIT THERMOSTAT	WTS	WATER THERMOSTAT
CLT	CYCLE ON LIGHT	MSW	MAIN SWITCH ON/FILL OFF/DRAIN		

Figure 12 — Electrical Diagram, 401-HT



—3-Wire Plus Ground Diagram