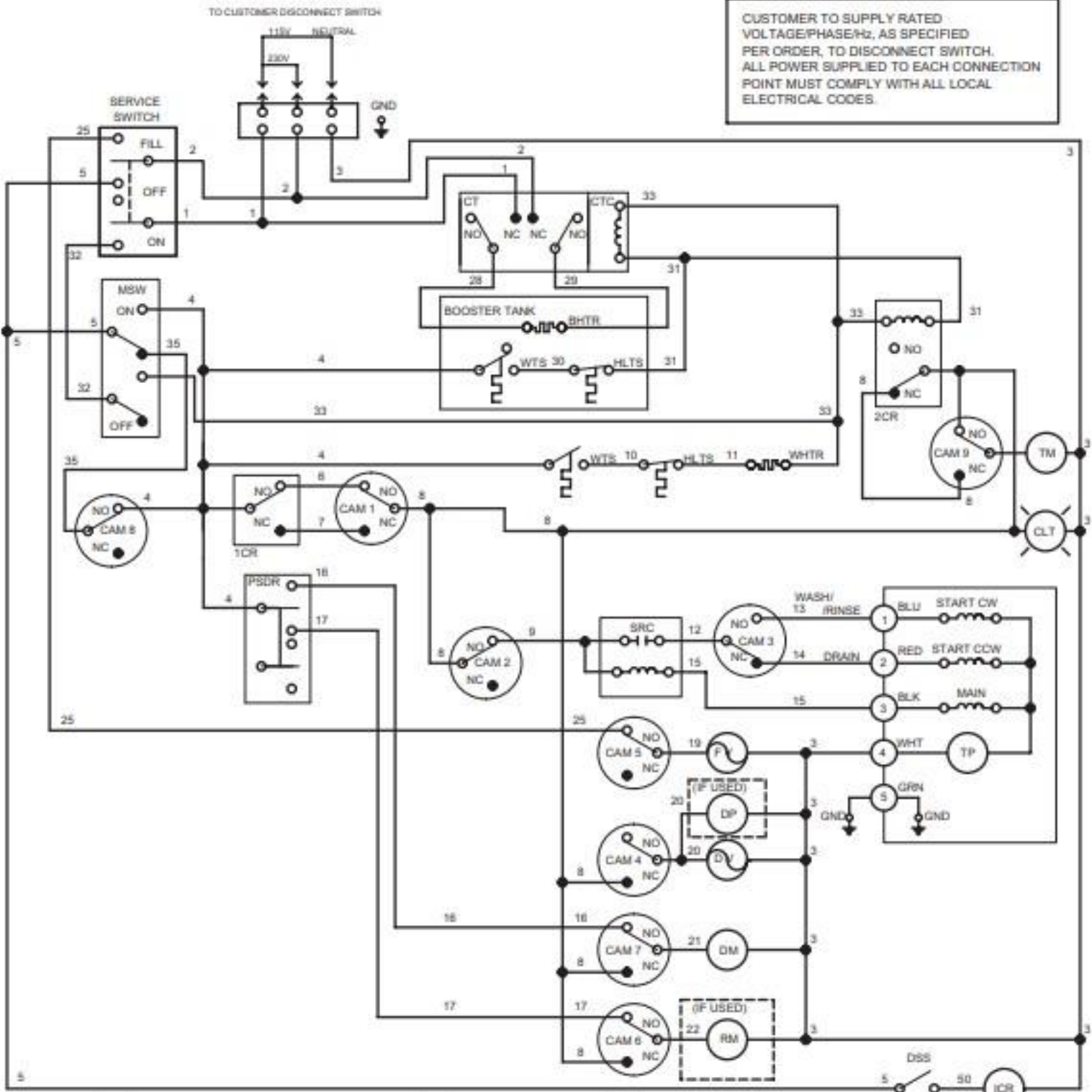


—3-Wire Plus Ground Diagram

CUSTOMER TO SUPPLY RATED VOLTAGE/PHASE/Hz, AS SPECIFIED PER ORDER, TO DISCONNECT SWITCH. ALL POWER SUPPLIED TO EACH CONNECTION POINT MUST COMPLY WITH ALL LOCAL ELECTRICAL CODES.



BHTR	BOOSTER HEATER	CLT	CYCLE LIGHT	CRN	CRN SWITCH ON/FILL OFF/DRAIN	WTS	WATER THROTTLE
BLK	BLACK	CT	CONTACTOR	FLSW	PHASE SWITCH DETROIMENT WHEEL		
BLU	BLUE	CTC	CONTACTOR/COIL	TCR	RELAY		
CAM 1	NOVARS	DM	DEFERMENT MOTOR	ZCR	WASH CONTROL RELAY		
CAM 2	PUMP MOTOR	DP	DRAIN PUMP (IF USED)	ESB	DOOR SAFETY SWITCH		
CAM 3	PUMP MOTOR REVERSE	DS	DOOR SWITCH	RM	WASH MOTOR (IF USED)		
CAM 4	DRAIN	DSV	DOOR VALVE	SRC	CURRENT OPERATED START/RELY COIL		
CAM 5	FILL	EDC	EXTENDED CYCLE DELAY	SS	SERVICE SWITCH		
CAM 6	WASH	FV	FILL VALVE	TM	THERM MOTOR		
CAM 7	DEFERMENT	HSB	HEATER	TP	THERMAL PROTECTOR		
CAM 8	CYCLE	HLTS	HIGH LIMIT	WHT	WATER HEATER		
CAM 9	WASH CONTROL	HLTS	HIGH LIMIT THERMOSTAT	WHTR	WATER HEATER		

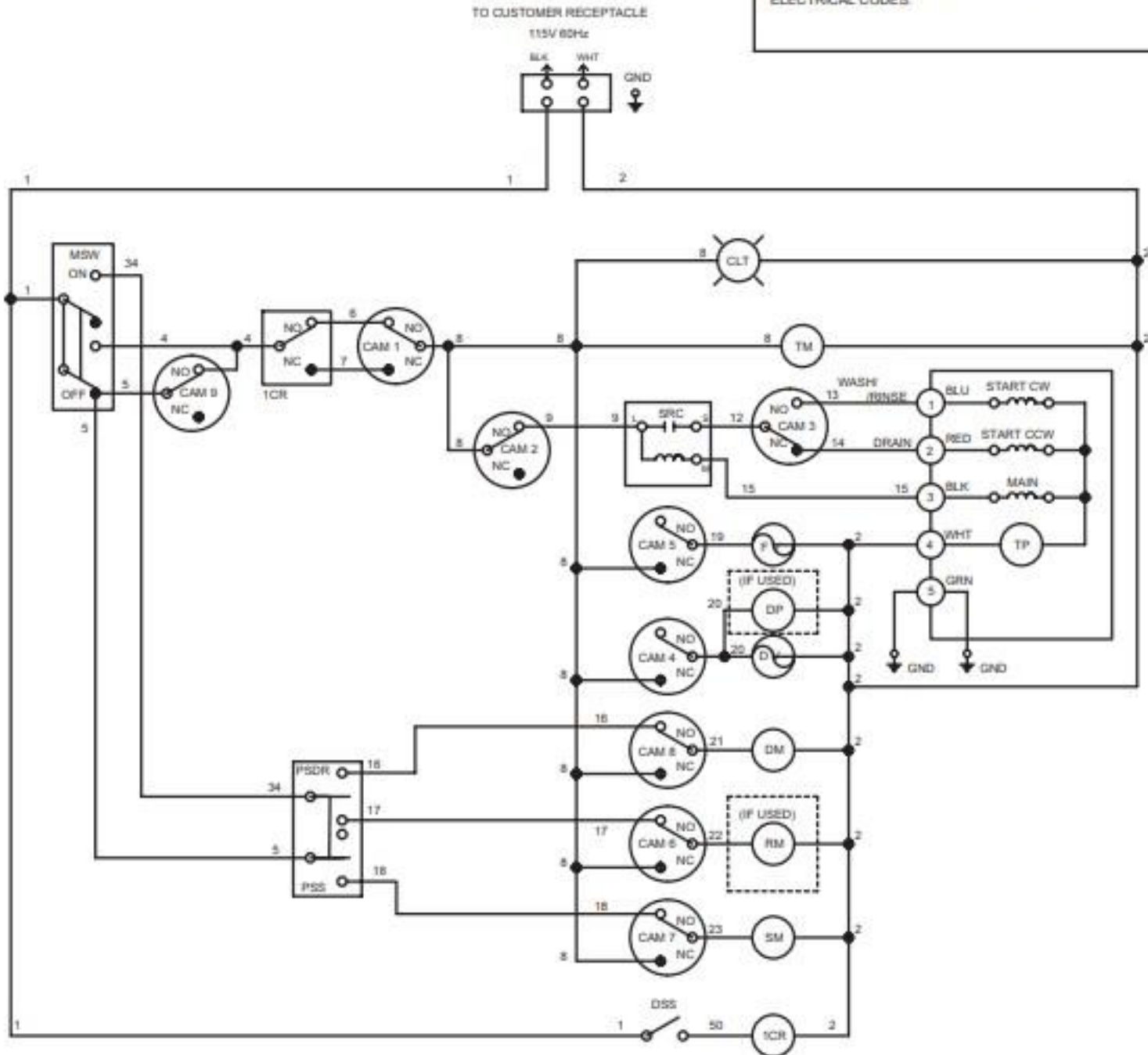
A	REV	ECN	RELEASED TO PRODUCTION	SAK	JUL 28-03
			DESCRIPTION	BY	DATE

TOLERANCE	HOLE DIMENSIONS		ISSUED
DECIMAL	A	F	
ANGLE	B	G	DR. CH. RTG.
SCALE 1:1	C	H	
FORMING DIMENSIONS IN METRIC SHALL BE TO DIMENSION UNLESS OTHERWISE NOTED	D	J	
	E		

SCHEMATIC 401+ SERIES HIGH TEMP

DRAWING NO. 0510652

CUSTOMER TO SUPPLY RATED VOLTAGE/PHASE/Hz, AS SPECIFIED PER ORDER, TO DISCONNECT SWITCH. ALL POWER SUPPLIED TO EACH CONNECTION POINT MUST COMPLY WITH ALL LOCAL ELECTRICAL CODES.



BLK	BLACK	CLT	CYCLE ON LIGHT	FSS	FRIG SWITCH SANITIZER
BLU	BLUE	DM	DETERGENT MOTOR	ICR	RELAY
CAM 1	HOMER	DP	DRAIN PUMP (IF USED)	DSS	REED SWITCH
CAM 2	PUMP MOTOR	RL	RELAY	RM	RINSE MOTOR (IF USED)
CAM 3	PUMP MOTOR REVERSE	DV	DRAIN VALVE	SRC	CURRENT OPERATED START RELAY COIL
CAM 4	DRAIN	FV	FILL VALVE	SS	SANITIZER MOTOR
CAM 5	FILL	GND	GROUND	TM	TIMER MOTOR
CAM 6	RINSE	GRN	GREEN	TP	THERMAL PROTECTOR
CAM 7	SANITIZER	HTLE	HIGH LIMIT THERMOSTAT	WHTR	WATER HEATER
CAM 8	DETERGENT	MSW	MSW SWITCH ON/FULL OFF/DRAIN	WT2	WATER THERMOSTAT
CAM 9	CYCLE	PSSR	FRIG SWITCH DETERGENT, RINSE		

A	REV	EON	RELEASED TO PRODUCTION	SK01	AUG 01-03
			DESCRIPTION	BY CH	DATE

TOLERANCE	HOLE DIMENSIONS		ISSUED
DECIMAL	A	F	DR. CH. RTG.
ANGLE	B	G	
SCALE 1:1	C	H	
FORMING DIMENSIONS ARE FROM	D	J	
MAXIMUM TOLERANCES	E		

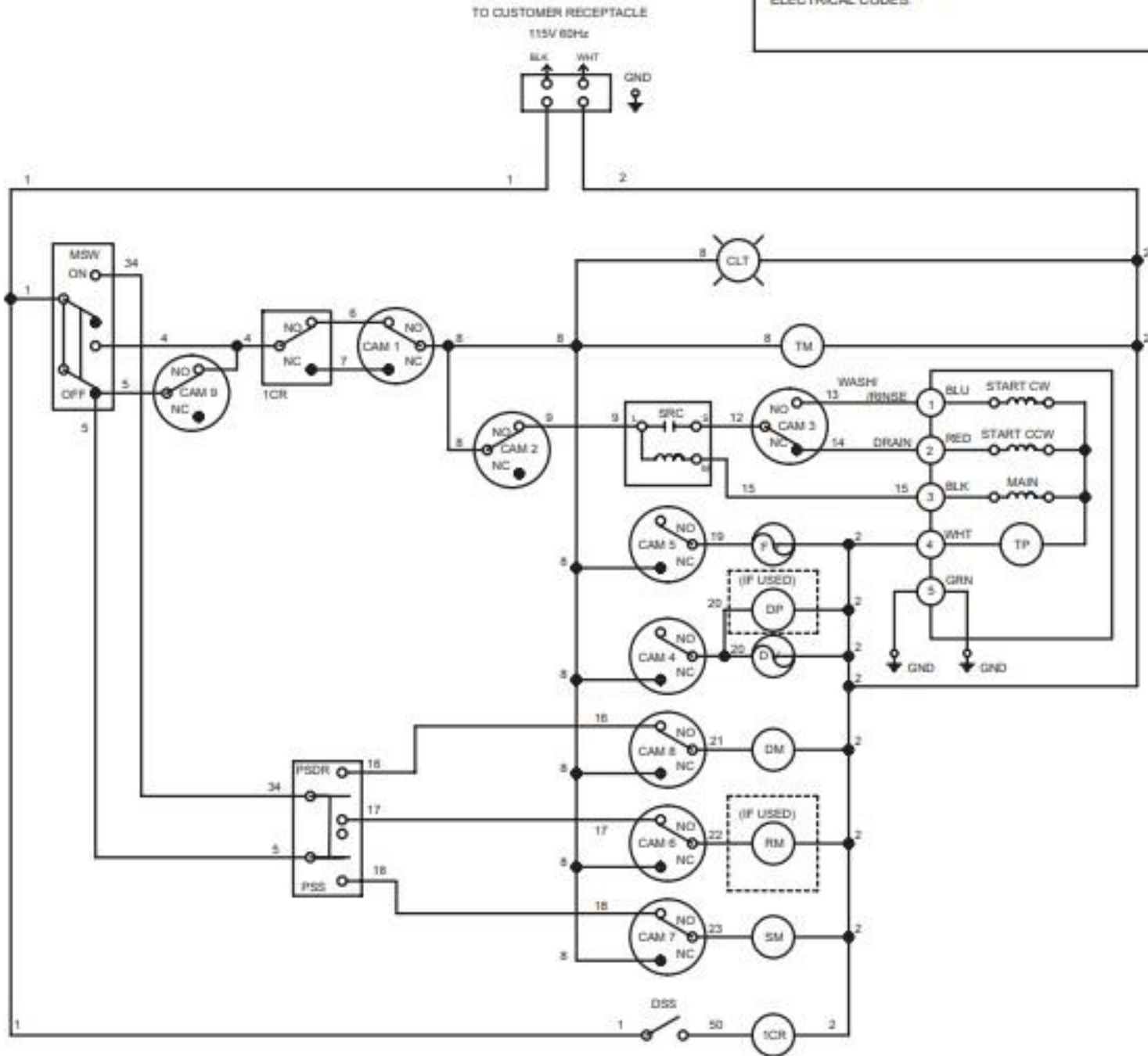
SCHEMATIC 401+ SERIES LOW TEMP

**MOYER
DIEBEL**

DRAWING NO.

0510654

CUSTOMER TO SUPPLY RATED VOLTAGE/PHASE/Hz, AS SPECIFIED PER ORDER, TO DISCONNECT SWITCH. ALL POWER SUPPLIED TO EACH CONNECTION POINT MUST COMPLY WITH ALL LOCAL ELECTRICAL CODES.



BLK	BLACK	CLT	CYCLE ON LIGHT	PSS	PHASE SWITCH SANITIZER
BLU	BLUE	DM	DETERGENT MOTOR	ICR	RELAY
CAM 1	HOMER	DP	DRAIN PUMP (IF USED)	DSS	REED SWITCH
CAM 2	PUMP MOTOR	DL	RELAY	RM	REVERSE MOTOR (IF USED)
CAM 3	PUMP MOTOR REVERSE	DV	DRAIN VALVE	SRC	CURRENT OPERATED START RELAY COIL
CAM 4	DRAIN	FV	FILL VALVE	SS	SANITIZER MOTOR
CAM 5	FILL	GND	GROUND	TM	TIMER MOTOR
CAM 6	REVERSE	GRN	GREEN	TP	THERMAL PROTECTOR
CAM 7	SANITIZER	HTL	HIGH LIMIT THERMOSTAT	WHTR	WATER HEATER
CAM 8	DETERGENT	MSW	MAIN SWITCH ON/FULL OFF/DRAIN	WT2	WATER THERMOSTAT
CAM 9	CYCLE	PSSR	PHASE SWITCH DETERGENT, REVERSE		

A	REV	EON	RELEASED TO PRODUCTION	SK1	AUG 01-03
			DESCRIPTION	BY CH	DATE

TOLERANCE	HOLE DIMENSIONS		ISSUED
DECIMAL	A	F	DR. CH. RTG.
ANGLE	B	G	
SCALE 1:1	C	H	
FORMING DIMENSIONS ARE FROM	D	J	
MAXIMUM TOLERANCES	E		

SCHEMATIC 401+ SERIES LOW TEMP

MOYER DIEBEL

DRAWING NO.

0510654