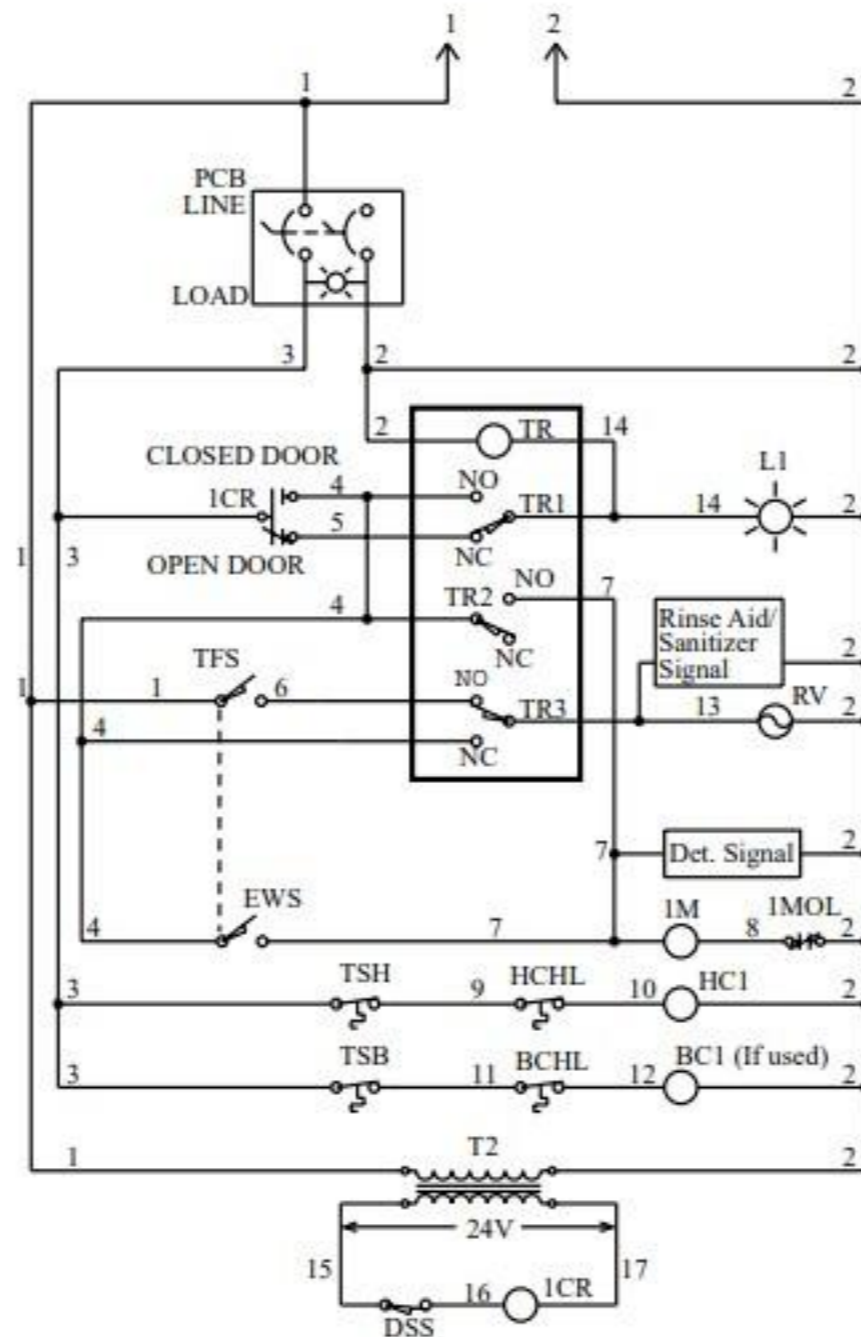
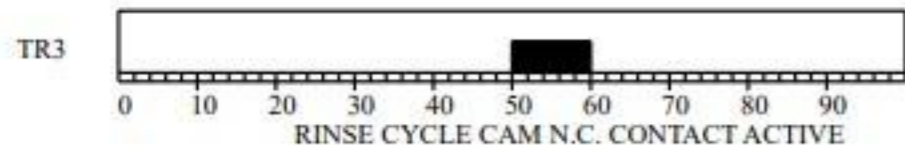
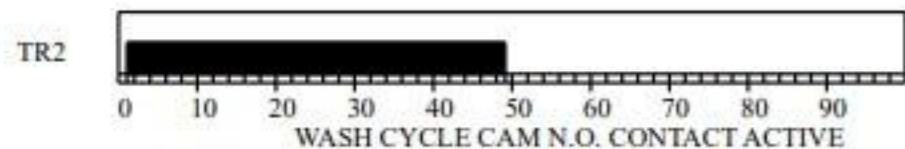
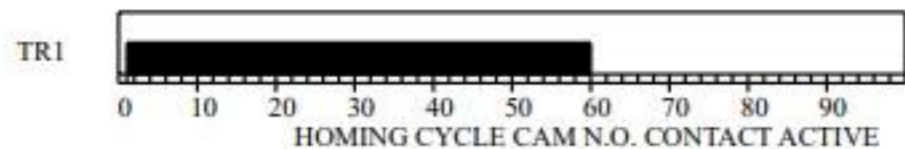
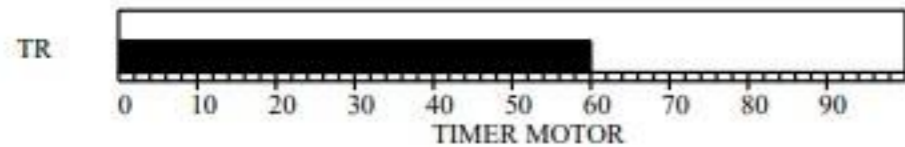
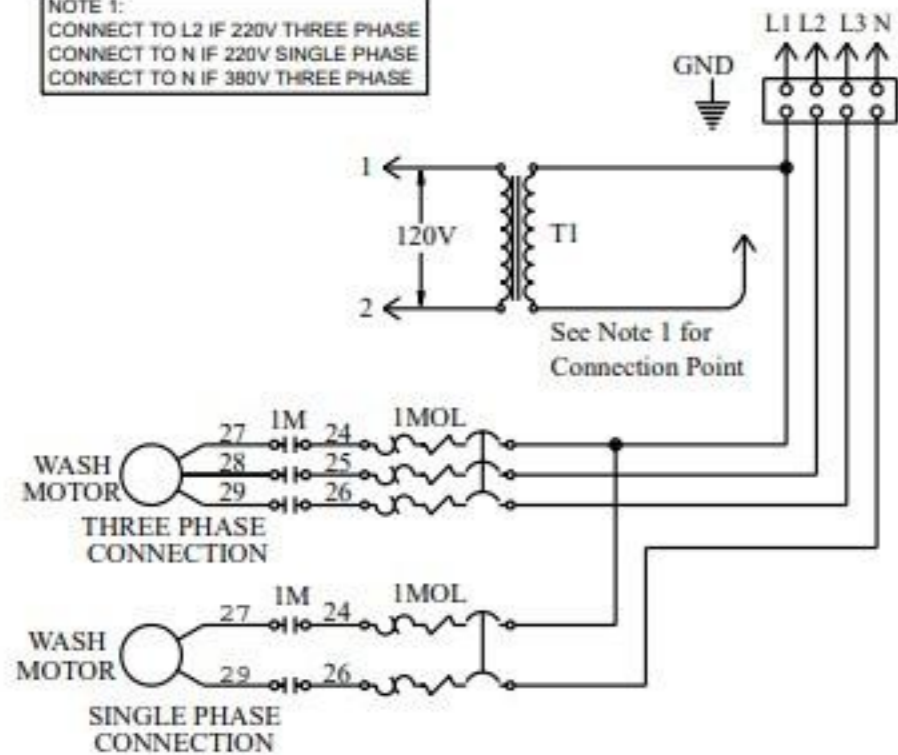
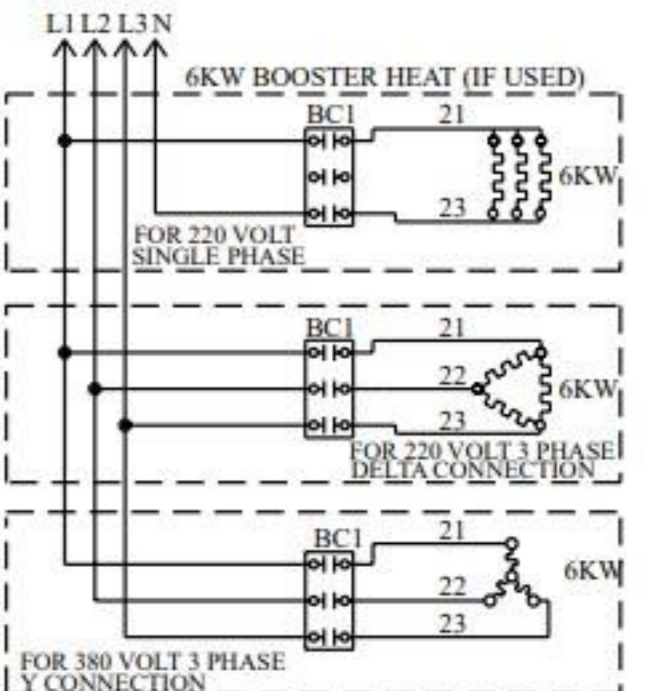
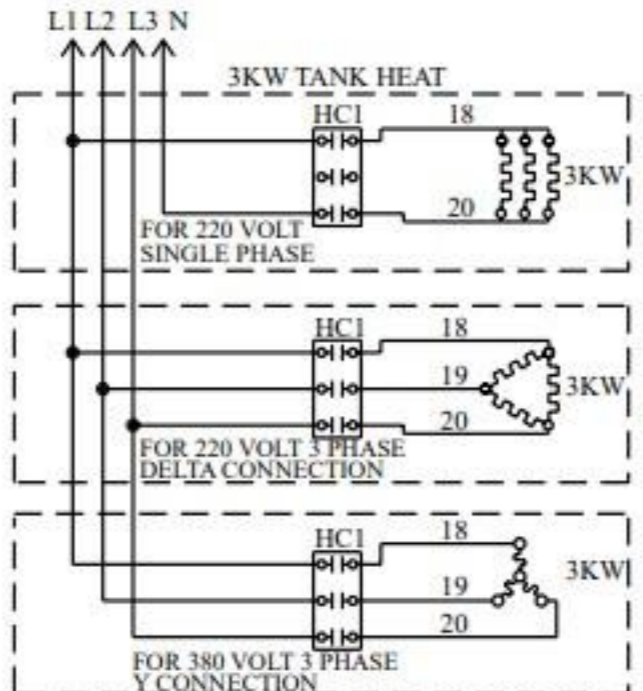


NOTE 1:  
CONNECT TO L2 IF 220V THREE PHASE  
CONNECT TO N IF 220V SINGLE PHASE  
CONNECT TO N IF 380V THREE PHASE



EL CLIENTE DEBE SUMINISTRAR EL VOLTAJE/FASE/HZ NORMALES DEL INTERRUPTOR, SEGÚN SE ESPECIFICA EN CADA ORDEN. TODA ALIMENTACIÓN DE ENERGÍA QUE SE SUMINISTRE EN CADA PUNTO DE CONEXIÓN DEBE CUMPLIR CON TODAS LAS NORMAS DE ELECTRICIDAD LOCALES

CUSTOMER TO SUPPLY RATED VOLTAGE/PHASE/HZ, AS SPECIFIED PER ORDER, TO DISCONNECT SWITCH. ALL POWER SUPPLIED TO EACH CONNECTION POINT MUST COMPLY WITH ALL LOCAL ELECTRICAL CODES.



ICR	Door safety hold-in relay
1M	Wash motor contactor
1MOL	Wash motor overloads
BC1	Booster heat contactor
BCHL	Booster heat high limit (Snap disc)
DSS	Door safety switch
EWS	Extended wash switch
GND	Ground
HC1	Tank heat contactor
HCHL	Tank heat high limit (Snap disc)
L1	Cycle light
PCB	Power switch/Circuit breaker/Power On light
RV	Rinse valve
T1	Control transformer Line V: 120V
T2	Control transformer 120V: 24V
TFS	Tank Fill Switch
TR	Timer motor
TR1	Homing cycle cam
TR2	Wash cycle cam
TR3	Rinse cycle cam
TSB	Booster heat thermostat
TSH	Tank heat thermostat

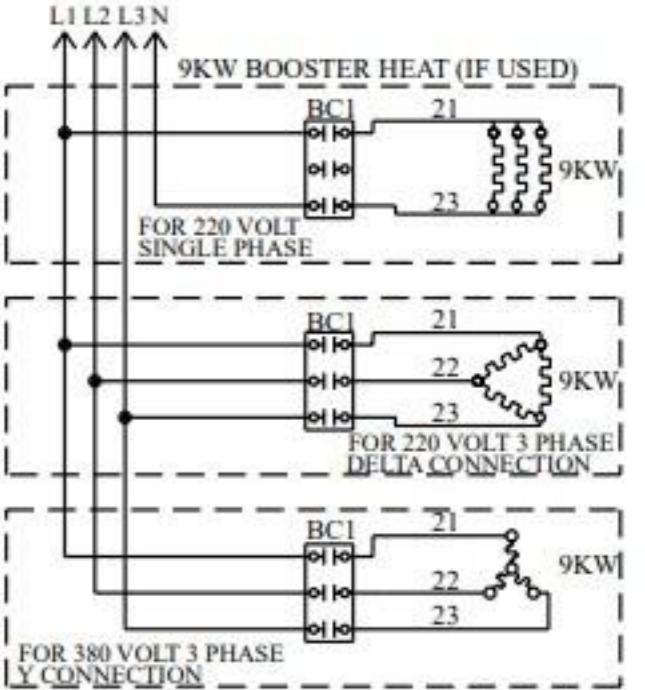
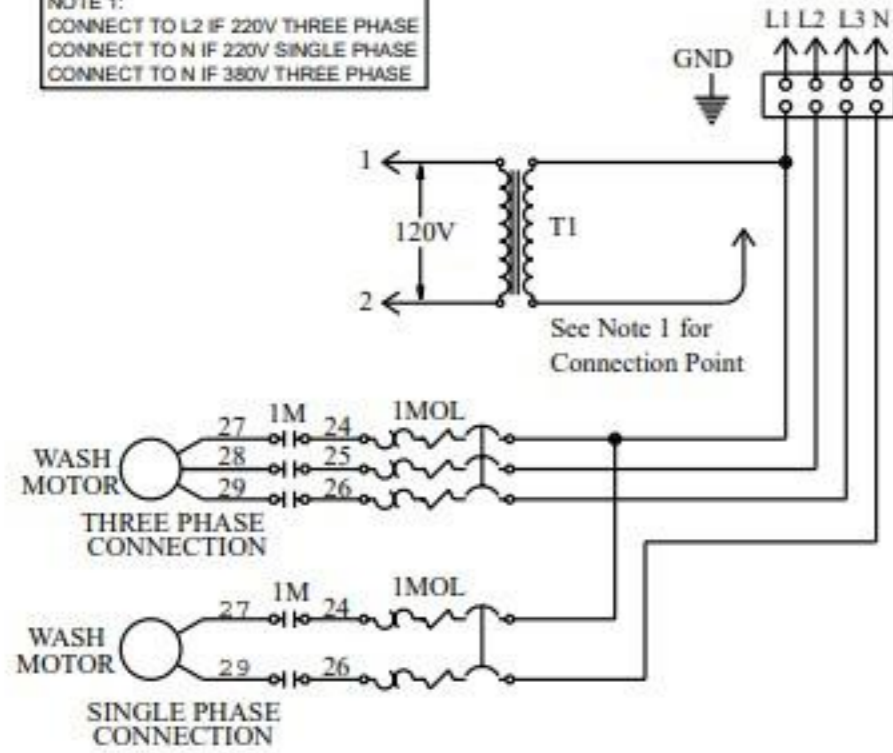


DIAGRAM STATE  
END OF CYCLE  
POWER OFF  
DOOR CLOSED

B701353

ESTADO DEL DIAGRAMA  
- Fin de ciclo  
- Alimentación de energía apagada  
- Puerta cerrada

NOTE 1:  
CONNECT TO L2 IF 220V THREE PHASE  
CONNECT TO N IF 220V SINGLE PHASE  
CONNECT TO N IF 380V THREE PHASE

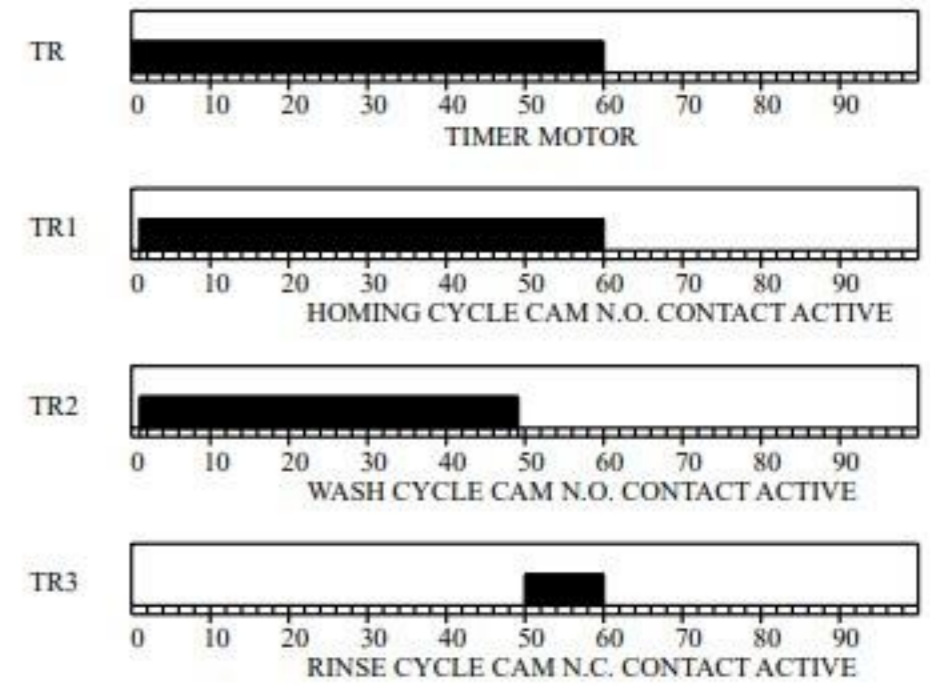
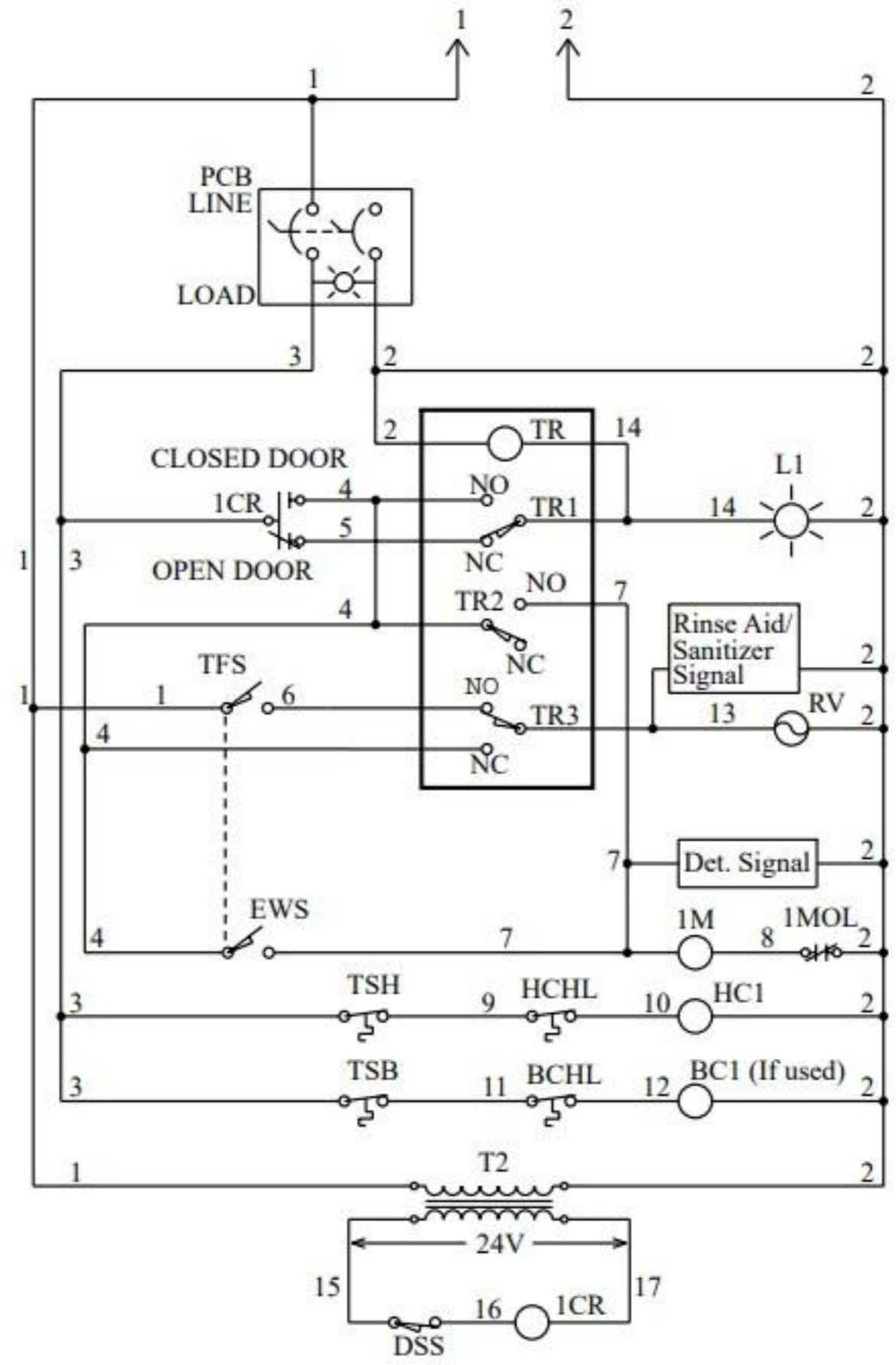


EL CLIENTE DEBE SUMINISTRAR EL VOLTAJE/FASE/HZ NORMALES DEL INTERRUPTOR, SEGÚN SE ESPECIFICA EN CADA ORDEN. TODA ALIMENTACIÓN DE ENERGÍA QUE SE SUMINISTRE EN CADA PUNTO DE CONEXIÓN DEBE CUMPLIR CON TODAS LAS NORMAS DE ELECTRICIDAD LOCALES

CUSTOMER TO SUPPLY RATED VOLTAGE/PHASE/HZ, AS SPECIFIED PER ORDER, TO DISCONNECT SWITCH. ALL POWER SUPPLIED TO EACH CONNECTION POINT MUST COMPLY WITH ALL LOCAL ELECTRICAL CODES.

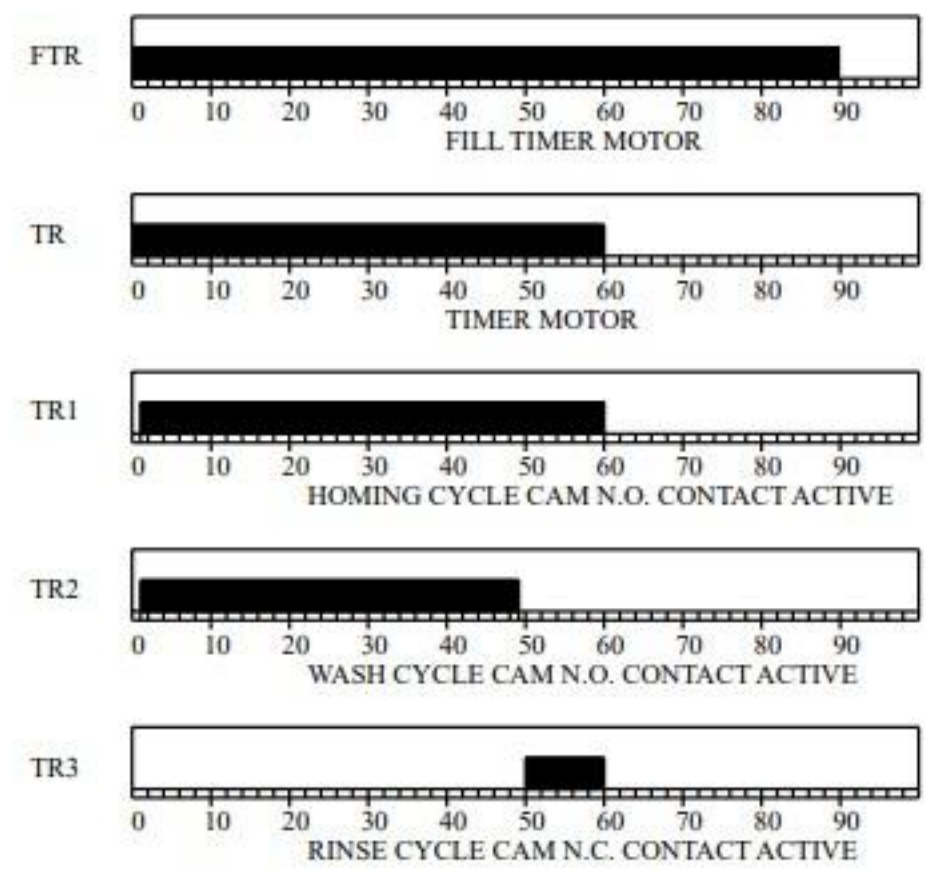
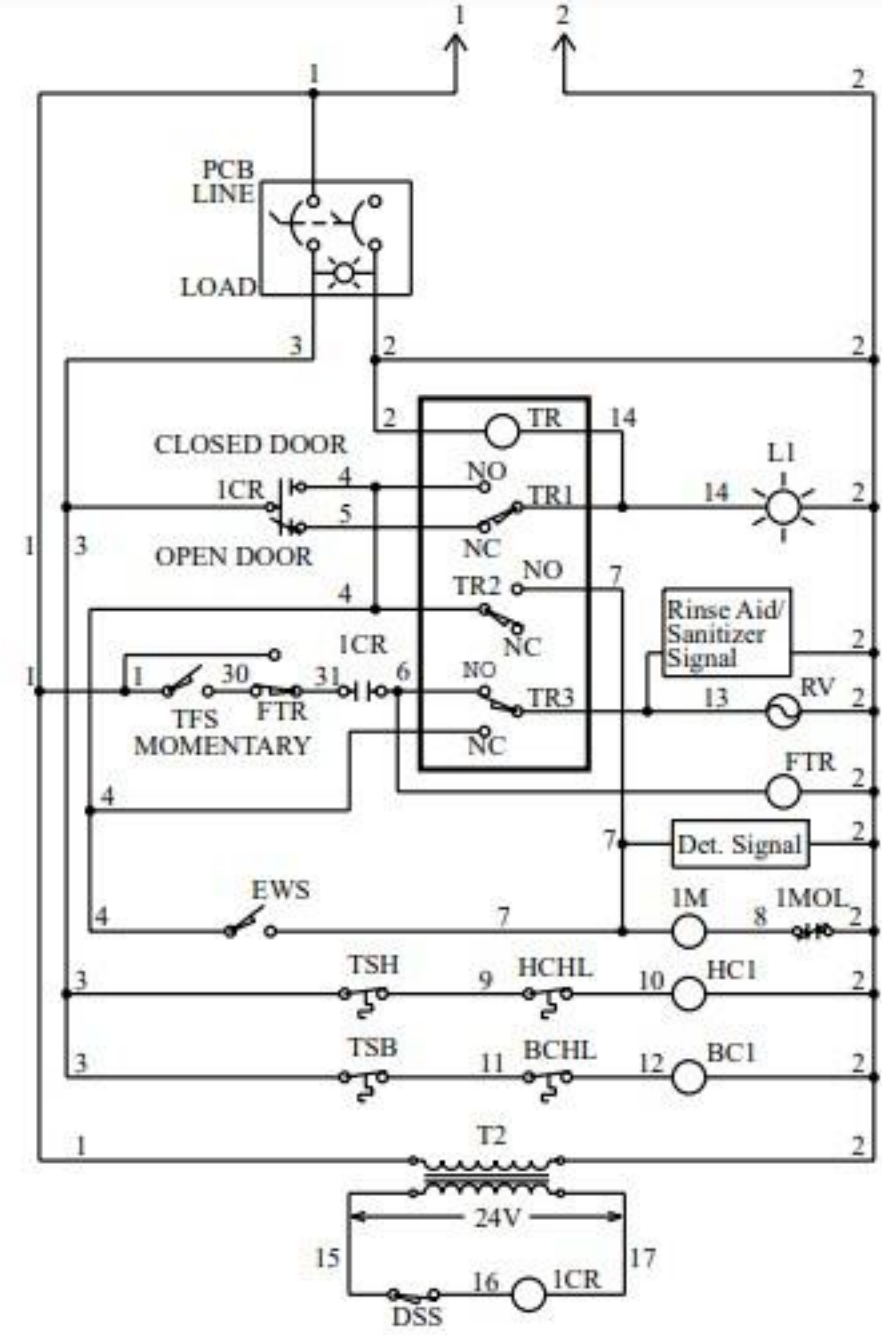
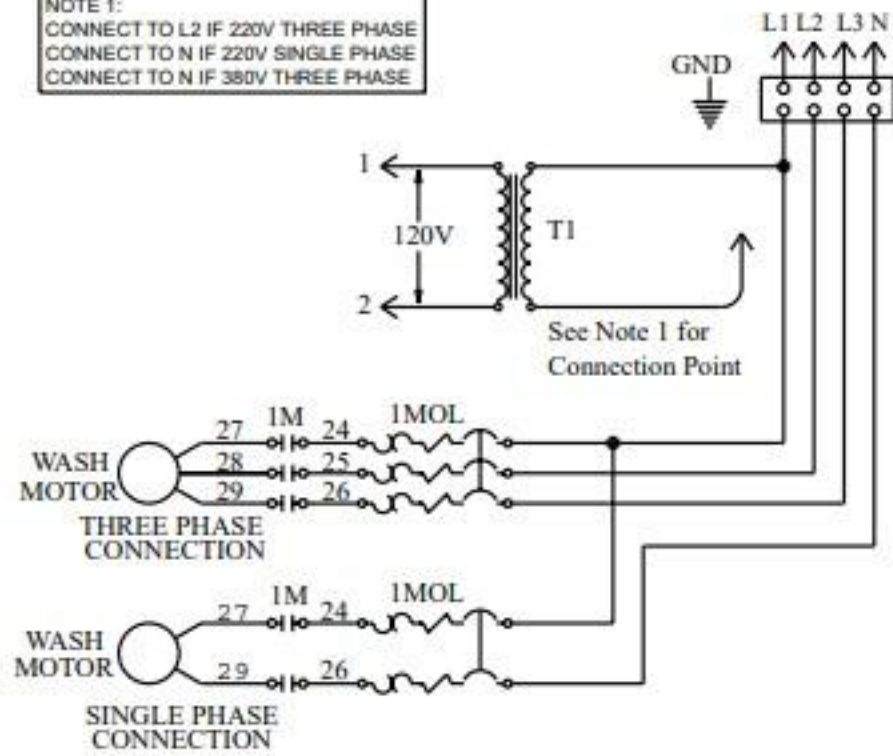
DIAGRAM STATE  
END OF CYCLE  
POWER OFF  
DOOR CLOSED

ESTADO DEL DIAGRAMA  
- Fin de ciclo  
- Alimentación de energía apagada  
- Puerta cerrada



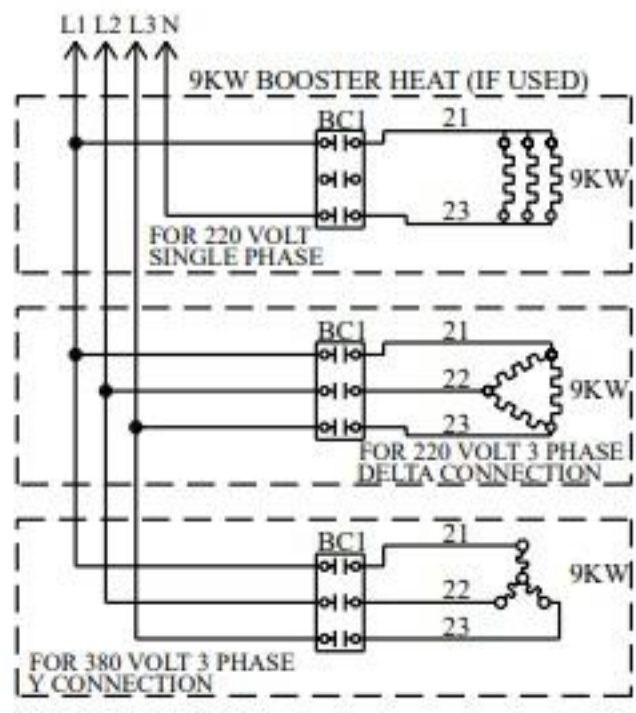
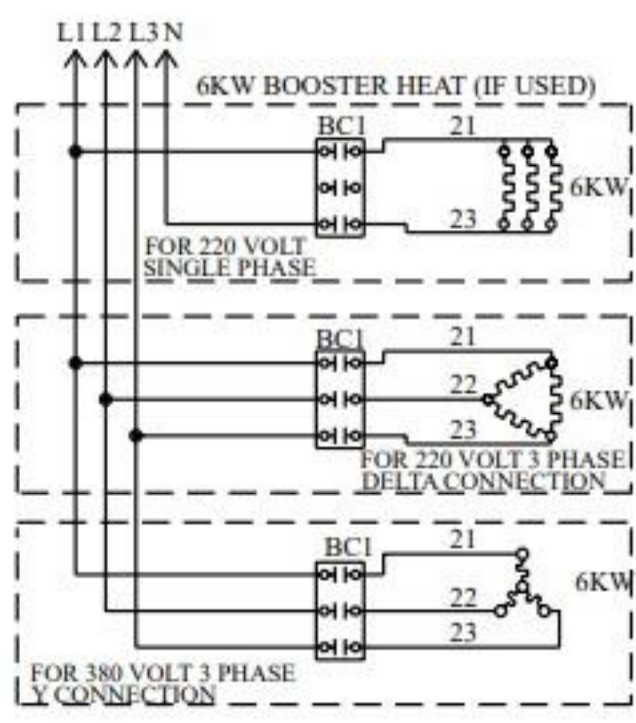
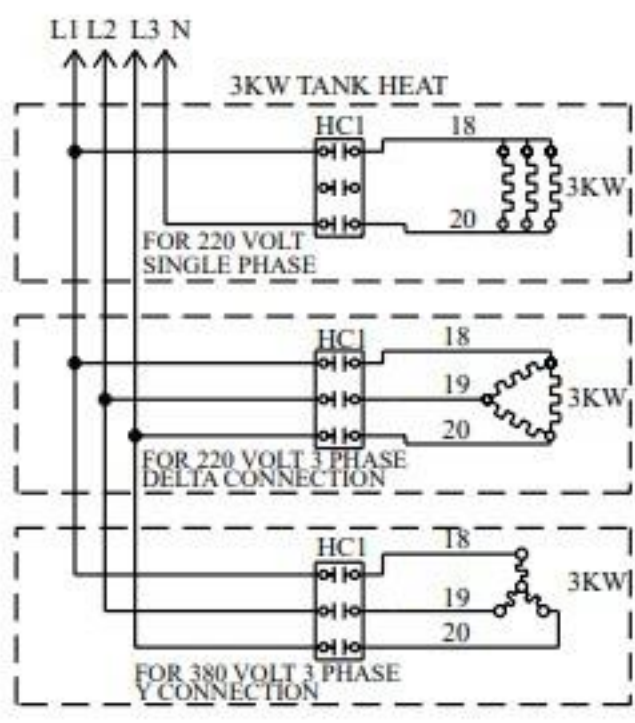
1CR	Door safety hold-in relay
1M	Wash motor contactor
1MOL	Wash motor overloads
BC1	Booster heat steam valve
BCHL	Booster heat high limit (Snap disc)
DSS	Door safety switch
EWS	Extended wash switch
GND	Ground
HC1	Tank heat steam valve
HCHL	Tank heat high limit (Snap disc)
L1	Cycle light
PCB	Power switch/Circuit breaker/Power On light
RV	Rinse valve
T1	Control transformer Line V: 120V
T2	Control transformer 120V: 24V
TFS	Tank Fill Switch
TR	Timer motor
TR1	Homing cycle cam
TR2	Wash cycle cam
TR3	Rinse cycle cam
TSB	Booster heat thermostat
TSH	Tank heat thermostat

NOTE 1:  
CONNECT TO L2 IF 220V THREE PHASE  
CONNECT TO N IF 220V SINGLE PHASE  
CONNECT TO N IF 380V THREE PHASE



EL CLIENTE DEBE SUMINISTRAR EL VOLTAJE/FASE/HZ NORMALES DEL INTERRUPTOR, SEGÚN SE ESPECIFICA EN CADA ORDEN. TODA ALIMENTACIÓN DE ENERGÍA QUE SE SUMINISTRE EN CADA PUNTO DE CONEXIÓN DEBE CUMPLIR CON TODAS LAS NORMAS DE ELECTRICIDAD LOCALES

CUSTOMER TO SUPPLY RATED VOLTAGE/PHASE/HZ, AS SPECIFIED PER ORDER, TO DISCONNECT SWITCH. ALL POWER SUPPLIED TO EACH CONNECTION POINT MUST COMPLY WITH ALL LOCAL ELECTRICAL CODES.



ICR	Door safety hold-in relay
IM	Wash motor contactor
IMOL	Wash motor overloads
BC1	Booster heat contactor
BCHL	Booster heat high limit (Snap disc)
DSS	Door safety switch
EWS	Extended wash switch
FTR	Fill timer
GND	Ground
HC1	Tank heat contactor
HCHL	Tank heat high limit (Snap disc)
L1	Cycle light
PCB	Power switch/Circuit breaker/Power On light
RV	Rinse valve
T1	Control transformer Line V: 120V
T2	Control transformer 120V: 24V
TFS	Tank Fill Switch
TR	Timer motor
TR1	Homing cycle cam
TR2	Wash cycle cam
TR3	Rinse cycle cam
TSB	Booster heat thermostat
TSH	Tank heat thermostat

IDH W/ TIMED FILL  
SINGLE AND THREE PHASE

DIAGRAM STATE  
END OF CYCLE  
POWER OFF  
DOOR CLOSED

ESTADO DEL DIAGRAMA  
- Fin de ciclo  
- Alimentación de energía apagada  
- Puerta cerrada

B701530/A