

14 TEMP TIMING CHART

CAM	TR1	TR2	TR3	TR4	TR5	TR6	TR7	TR8	TR9	TR10
1										
2										
3										
4										
5										
6										
7										

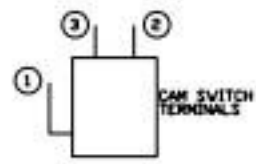
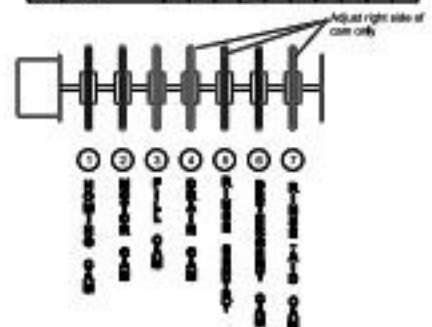


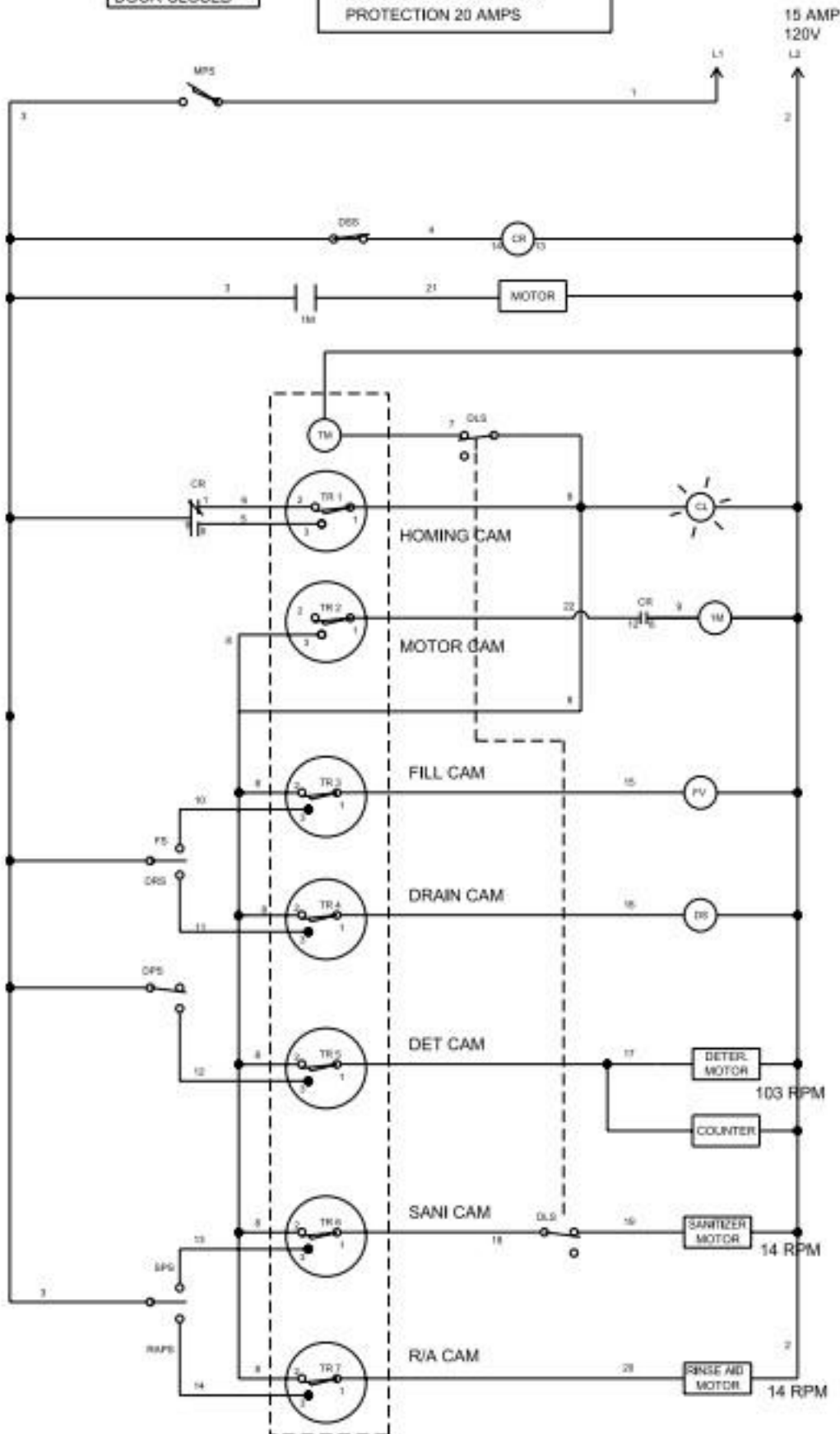
DIAGRAM STATE
END OF CYCLE
POWER-OFF
DOOR-CLOSED

IHTR	BOOSTER HEATER
IM	PUMP MOTOR CONTACTOR
IMOL	PUMP MOTOR OVERLOAD
IMTR	PUMP MOTOR
CR	CONTROL RELAY
CTR	CYCLE COUNTER
DP	DETERGENT PUMP
DRS	DETERGENT RINSE SWITCH
DS	DRAIN SOLENOID
DSS	DOOR SAFETY SWITCH
FDS	FILL DRAIN SWITCH
FU	FUSE
FV	FILL VALVE
GND	GROUND
HCI	BOOSTER CONTACTOR
PS	POWER ON SWITCH
RAP	RINSE AID PUMP
T1	CONTROL TRANSFORMER
TR	THERM MOTOR
TS1	BOOSTER THERMOSTAT
TS7	BOOSTER SAFETY THERMOSTAT

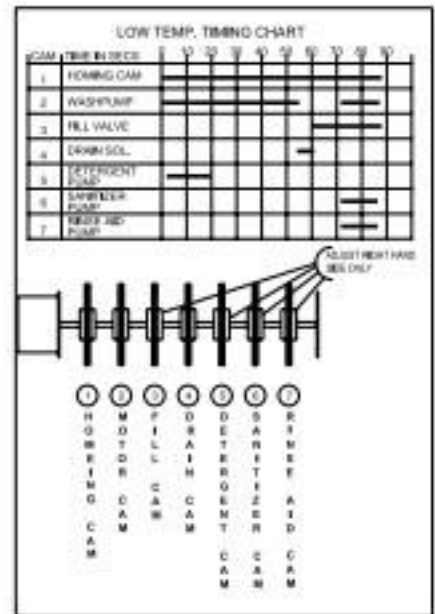
HIGH TEMPERATURE
Door-type Dishwasher
B-0513035-1 rev. C
208-240VAC/60/1and 3 PH

DIAGRAM STATE
END OF CYCLE
POWER-OFF
DOOR-CLOSED

MINIMUM CIRCUIT AMPACITY
15 AMPS
MAXIMUM OVERCURRENT
PROTECTION 20 AMPS



1M	MOTOR CONTACTOR
CL	IN CYCLE LIGHT
DLS	DE-LEAKING SWITCH
DPS	DETERGENT PRIME SWITCH
CR	DOOR SAFETY SWITCH RELAY
DSS	DOOR SAFETY SWITCH
DS	DRAIN SOLENOID
FS	FILL SWITCH
FV	FILL VALVE
MPS	MAIN POWER SWITCH
RAPS	RINSE AID PRIME SWITCH
SPS	SANITIZER PRIME SWITCH
TM	TIMER MOTOR
TR1-7	TIMER CAMS 1 - 7
DRS	DRAIN SWITCH



Low Temperature
Door-type Dishwasher
B-0512020
115VAC/60/1