

Model MD2000LT

# Owner's Manual

Keep with machine for reference

Low Temp  
3 Door Lift Models  
Owner's Manual  
Revision 1.02A



3765 Champion Boulevard  
Winston-Salem, NC 27105  
336/661-1556 Fax: 336/661-1660 Toll-  
free:800/858-4477

2674 N. Service Road, Jordan Station  
Ontario, Canada LDR 1S0  
905/562-4195 Fax: 905/562-4618  
Toll-free:800/263-5798

Title	Installation & Operation	Rev 1.02A
-------	--------------------------	-----------

**TABLE OF CONTENTS**

**SPECIFICATIONS..... 3**  
3 Door Lift Model ..... 3

**GETTING STARTED ..... 4**  
Introduction to 3Door Lift Model..... 4  
Receiving and Installation ..... 4  
1. Packaging ..... 4  
2. Plumbing..... 4  
3. Electrical..... 4  
4. Chemical Feeder ..... 4  
5. Scrap Trap Accumulator..... 5  
6. Water Line ..... 6  
7. Activating Machine ..... 6

**OPERATION..... 7**  
Starting Instructions..... 7  
Operating Instructions ..... 8  
1. Scraping and Pre-rinse ..... 8  
2. Sorting and Racking ..... 8  
3. Racking dishes ..... 8  
4. Racking glasses ..... 9  
5. Racking flatware..... 9  
6. Stacking & Storage..... 9  
Cleaning and Maintenance ..... 11  
1. Cleaning the drain screen..... 11  
2. Cleaning the washer arms ..... 11  
3. Check Operations ..... 11  
4. Cleanup..... 12  
5. Empty the Scrap Tray ..... 12  
Quick service guide ..... 13  
Troubleshooting the 3 Door LiftModel ..... 14  
➤ Will Not Start ..... 14  
➤ Out of Chemical..... 14  
➤ Dishes/Glasses are Not Clean..... 14  
➤ Machine Will Not Hold Water ..... 14  
➤ Water Running on the Floor ..... 14  
➤ Water Will Not Drain From the Machine ..... 14  
➤ Water Coming Out of the Door ..... 14  
➤ Machine Will Not Shut Off ..... 14  
➤ Machine Will Not Fill..... 14

**ADDENDUM FOR MACHINES INSTALLED IN THE CITY OF CHICAGO ..... 15**  
**ELECTRICAL DIAGRAM ..... 16**

Title	Installation & Operation	Rev 1.02A
-------	--------------------------	-----------

**SPECIFICATIONS**

**3 Door Lift Model**

<b>WATER CONSUMPTION</b>		
PER RACK	.93 GAL.	3.53 L
PER HOUR	37 GAL.	139 L
<b>OPERATING CYCLE</b>		
WASH TIME-SEC	45	45
RINSE TIME-SEC	30	30
DWELL TIME-SEC	15	15
TOTAL CYCLE	90 Sec	90 Sec
<b>OPERATING CAPACITY</b>		
RACKS PER HOUR	40	40
WASH TANK CAPACITY	1.7 GAL.	6.44 L
PUMP CAPACITY	35 GPM	132.5 LPM
<b>WATER REQUIREMENTS</b>		
- Minimum	120°F	49°C
- Recommended	140°F	60°C
WATER INLET	½"	-
DRAIN CONNECTION	2"	-
<b>CYCLE TEMPERATURES</b>		
WASH-°F (Minimum)	120°F	49°C
<b>FRAME DIMENSIONS</b>		
DEPTH	25 ¾"	65.4 cm
WIDTH	25 ¾"	65.4 cm
TABLE HEIGHT	34"	86.0 cm
MAX CLEARANCE FOR DISHES	17"	43.0 cm
<b>ELECTRICAL*</b>		
	115 VAC	
	16 AMPS	
<b>WASH PUMP MOTOR 1 HP</b>		
	13.4 AMPS	
<b>*Warning: Electrical and plumbing connections need to be made by a qualified service person who will comply with all available Federal, State and Local Health, Electrical, Plumbing and Safety codes.</b>		
<b>SHIPPING WEIGHT</b>		
E (Approximate)	218#	98.7 kg
E-EXT (Approximate)	260#	117.8 kg

Title	Installation & Operation	Rev 1.02A
-------	--------------------------	-----------

## **GETTING STARTED**

### **Introduction to 3Door Lift Model**

*Dishwashers have been used worldwide for many years. This manual has been written to help you, the operator, in your job. Your job is one of the “most important” in this restaurant. Why? Your product, the dishes and glasses, is the first thing the customer notices when he sits down.. Clean, sparkling dishes and silverware will set the mood for the customer when he observes the table setting.*

### **Receiving and Installation**

*The dishwasher is shipped from the factory bubble packed on a pallet. The guidelines are listed in a step-by-step procedure for your reference.*

#### **1. Packaging**

*Unwrap the machine and check for the following component parts:*

- *Scrap accumulator complete with lid and scrap tray. This is normally an integral part of the machine*
  
- *Tube stiffeners. Tube stiffeners must be used to prevent the feed tubes from curling inside the chemical pail and sucking air. These are pre-installed to the chemical pump and attached to the back of the dishmachine. The ends of the chemical tubing have been flared so that the tubing will not pull out of the stiffener. Red is for detergent, white for sanitizer, and blue for rinse aid.*

#### **2. Plumbing**

*The machine needs the following:*

- *2” pipe for the drain outlet*
- *½” pipe for the incoming water*
- *A flex hose or quick disconnect union. The water inlet is at the top left corner of the dishwasher*

#### **3. Electrical**

*The machine is 110 volt. The master switch is at the top left side of the control box.*



### **DO NOT USE POWER CORD OR GFI OUTLET**

**This unit MUST BE hard-wired to a  
dedicated appropriately size circuit breaker.**

**WARNING:** Electrical and plumbing connections need to be made by a qualified service person who will comply with all available Federal, State, and local Health, Electrical, Plumbing Safety Codes.

#### **4. Chemical Feeder**

*The peristaltic pumps are assembled and included within the machine.*

Title	Installation & Operation	Rev 1.02A
-------	--------------------------	-----------

5. **Scrap Trap Accumulator**

The scrap trap accumulator is designed to perform two basic functions:

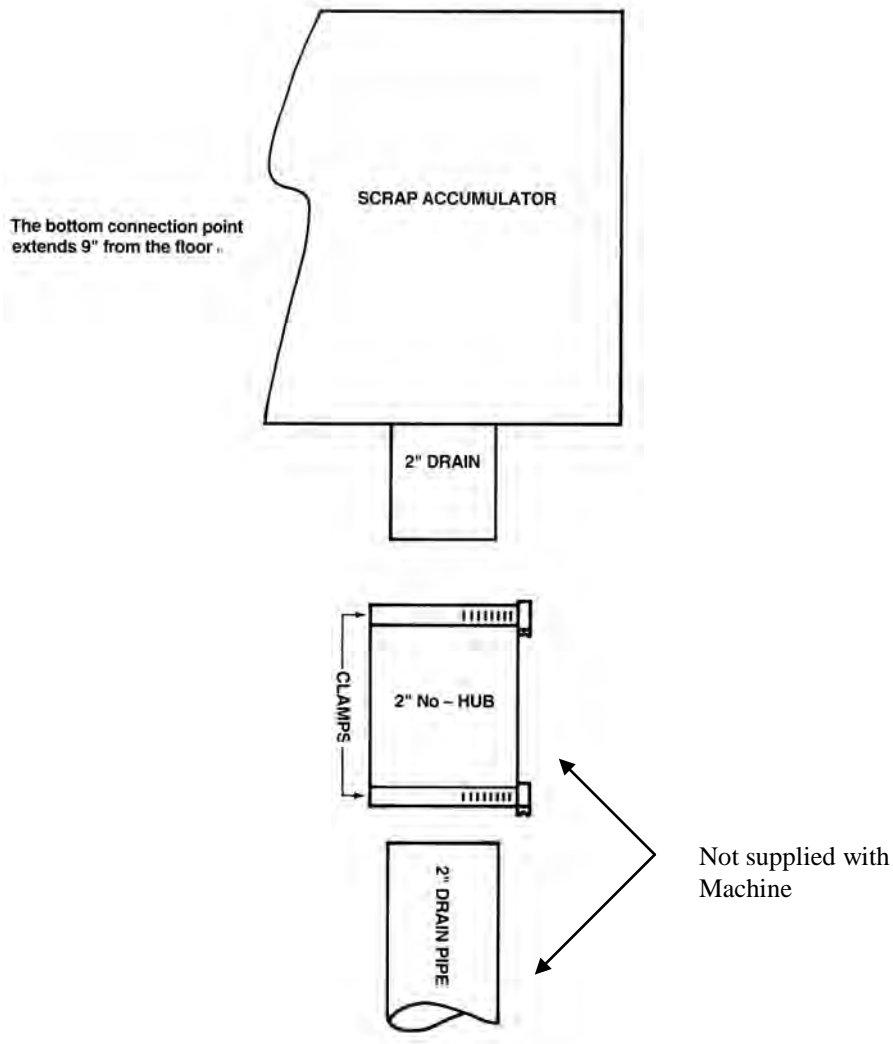
- It allows a method to discharge all the heavy solids out of the machine with each wash and rinse cycle.
- It provides capacity to drain the contents of one cycle regardless of the ability of the existing drain to accept the discharge rate.

There is a drain connection sleeve (2") on the bottom of the scrap accumulator (See drain connection instruction).

Standard dishwashers operate on 110 volts. Other voltage requirements are available on request. When installing the single rack units, either model 3 Door Lift, it is recommended that a clean 20 amp circuit be provided to the machine.

**WARNING:** Electrical and plumbing connections need to be made by a qualified service person who will comply with all available Federal, State, and local Health, Electrical, Plumbing Safety Codes.

**SCRAP TRAP ACCUMULATOR CONNECTION:**



Title	Installation & Operation	Rev 1.02A
-------	--------------------------	-----------

**6. Water Line**

*The 3 Door Lift model should be plumbed with ½” hot water line. The time necessary to deliver water to the machine is controlled by the number four cam. This cam provides the serviceman with the opportunity to fine-tune the machine to deliver the proper amount with each cycle. Refer to the service manual for an in depth discussion of this procedure.*

**7. Activating Machine**

*The machine is equipped with a prime switch to activate the peristaltic pump at any time the master switch is “ON”.*

*Following the completion of the installation, always fill the machine with water before the machine is started.*

- *Hold the fill button until the water level is approximately ½” to ¾” below the overflow hole in the PVC standpipe. This water level should be approximately even with the bottom edge splash guard in sump area of machine.*
- *Activate the prime switches for the three chemical pumps until the product is discharging into the sump.*
- *To start the machine, close the doors and the machine will cycle automatically.*

*The amount of product delivered by each cam is controlled by changing the opening in each cam. When the micro switch rides down into the cam, the peristaltic pump motor begins to rotate. It will continue to rotate until it rides up out of the groove. Therefore, to extend the amount of product delivered to the machine, open the groove. To reduce the amount of product delivered to the machine, close the groove. Cams are slip fit. A cam adjustment wrench is provided, but the cam can be adjusted with a small screwdriver or the edge of a table knife.*

*Technical personnel are available during normal business hours should you, as an installer, have any questions. We are available to serve you at 800-854-6417.*

DISCLAIMER OF LIABILITY OF WARRANTY: COMPANY EXPRESSLY DISCLAIMS ANY AND ALL WARRANTIES, EXPRESS OR IMPLIED, RELATING TO THE INSTALLATION OF ANY AND ALL EQUIPMENT THAT IS INSTALLED BY CHEMICAL DEALERS, CONTRACTED SERVICERS OR THIRD PARTY SERVICERS TO EQUIPMENT. IF THE INSTALLATION INSTRUCTIONS ARE NOT FOLLOWED EXACTLY (TO THE LETTER), OR, IF ANY PERSON OR COMPANY CONDUCTING THE INSTALLATION OF THE EQUIPMENT, REVISE THE INSTALLATION PROCEDURES OR ALTER THE INSTRUCTIONS IN ANY MANNER, THE WARRANTY BECOMES VOID. IF, DUE TO THE IMPROPER INSTALLATION OF EQUIPMENT, THIS EQUIPMENT CEASES TO OPERATE PROPERLY OR AFFECTS OTHER PARTS OF THE DISHWASHING EQUIPMENT, IN THAT THE OTHER PARTS BECOME DEFECTIVE, THE WARRANTY BECOMES VOID. A WILL NOT BE LIABLE OR RESPONSIBLE OR WARRANT EQUIPMENT, DUE TO IMPROPER INSTALLATION OF ANY MODEL DISHWASHER.

<b>Title</b>	<b>Installation &amp; Operation</b>	<b>Rev 1.02A</b>
--------------	-------------------------------------	------------------

## **OPERATION**

*3 Door Lift dishwashers have been used worldwide for many years. This manual has been written to help you, the operator, in your job.*

*The manual is divided into three sections. Sections A and B cover start-up and dish handling, and section C covers troubleshooting.*

### **Starting Instructions**

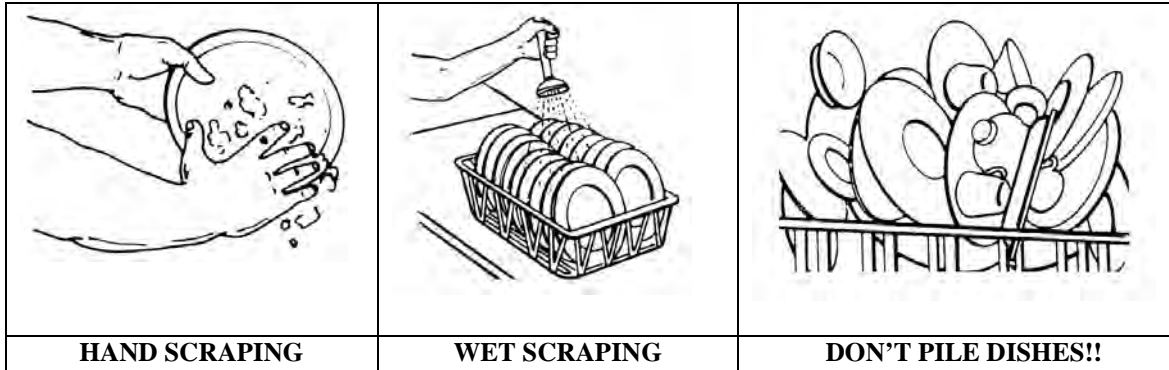
- *Drain water if it is cold by lifting drain ball until all water is out of the machine.*
- *Check drain screen and clean.*
- *Replace it properly into the sump housing.*
- *Check wash arm spray tips. If clogged, clean with toothpick and rinse at sink.*
- *Check chemical lines to chemical containers*
  - A. *Red – detergent line*
  - B. *Blue – rinse agent line*
  - C. *Clear/White – sanitizer destainer line.*
- *Press fill switch; fill until water is ½” lower than overflow on drain ball shaft or to the bottom of splash shield.*
- *Hold fill switch in until water level is proper and check temperature (should be approximately 140 degrees Fahrenheit; 60 degrees Celsius).*
- *Insert tray of dishes into machine and close doors. Machine will automatically start when doors are closed.*
- *After the machine green cycle light turns off, raise doors, remove trays, and allow to dry before stacking.*
- *If the doors are lifted during a wash cycle, the machine will automatically shut off.*
- *3 Door Lift Model will complete the wash and rinse cycle and automatically feed the proper chemical and turn itself off.*

**Operating Instructions**

**1. Scraping and Pre-rinse**

Remove remaining food from utensils. Scrape by hand or by using a cleaning tool such as a sponge or rubber spatula. For protection of the hands, wear gloves.

Use a pre-rinse hose for wet scraping to remove small particles of soil not removed by the hand scraping operation. The purpose is to keep excessive garbage from going into the dishwashing machine.

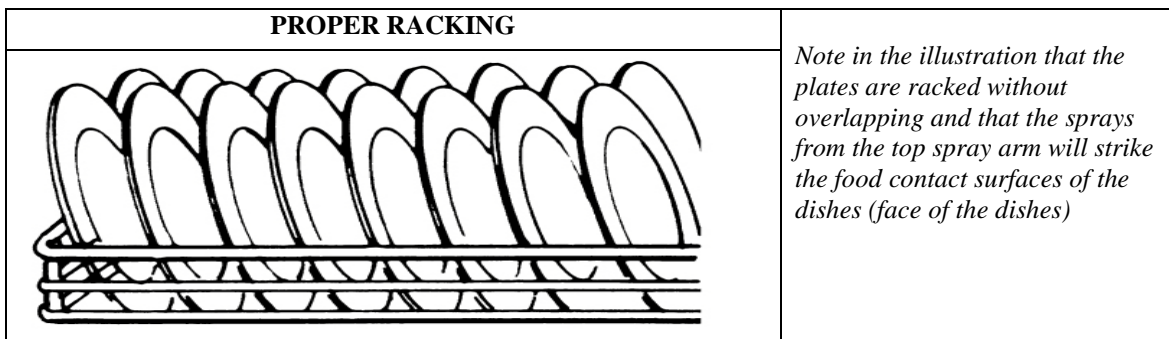


For flatware, it is recommended that they be pre-soaked in a deep pan, generally a bus pan, using a presoak detergent. This will prevent drying or adhering of soil on flatware and reduce tarnishing. A presoak detergent is especially useful for the removal of protein soil such as egg, syrup, etc. Allot approximately 30 minutes for presoaking if possible for better results.

**2. Sorting and Racking**

Properly placing the utensils in the rack is one of the most important jobs the operator must perform. Sort out different utensils, separating dishes, bowls, cups, glassware and flatware.

**3. Racking dishes**

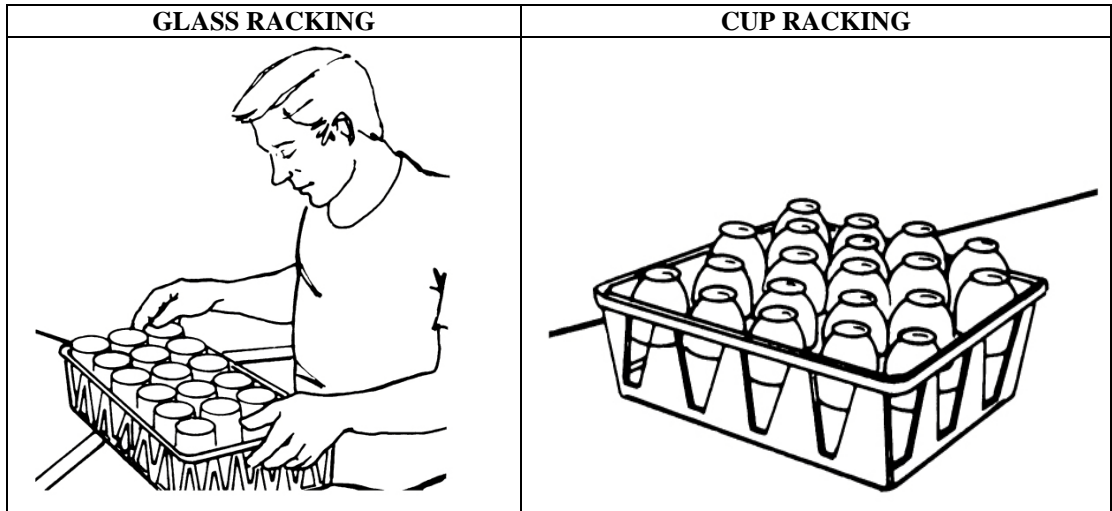


Rack all the same sized plates together row by row. The dish rack will hold them just right for proper washing. The entire surface of the soiled dish must be covered by the spray arm to provide sufficient scrubbing action when the detergent solution is being sprayed on that dish.

Stacking dishes will not save time because the dishes will not be cleaned during the wash cycle and will require sorting and rewashing.

4. **Racking glasses**

Glasses, cups, bowls and other deep dishes must be racked faced down. This is so as not to carry out wash water and so the sprays can work on the internal surfaces. Rack glasses and cups in a properly sized compartmentalized glass rack. Allow to air dry.



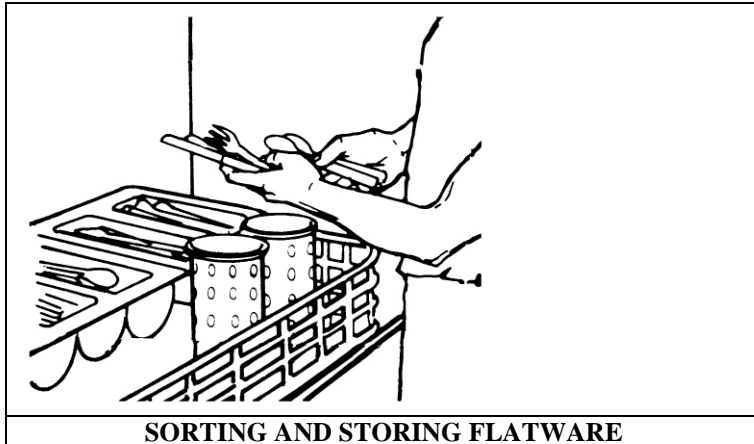
Glasses should be placed in the racks upside down in each compartment. The rinse additive is injected into the rinse water to prevent spotting and speed the drying process. (Note: Company’s representative can help you select the proper glass rack for your glasses.

5. **Racking flatware**

After presoaking, flatware is placed in a wash basket with handles down to prevent them from “nesting” which provides maximum exposure to the wash process.



6. **Stacking & Storage**

**SORTING AND STORING FLATWARE**

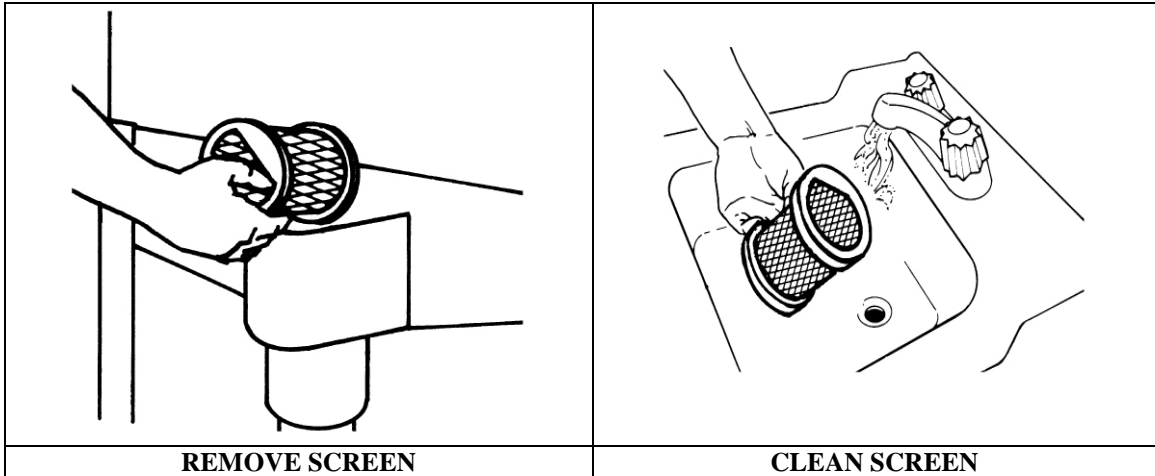
*Stacking and storage of dishes being washed and sanitized is very important. A dish may be perfectly washed but be completely contaminated from the handling after washing. Avoid storing dishes where they may be soiled. Handling dishes with the hand on the food contact surfaces should be reduced to a minimum (towel drying is an incorrect procedure). Do not stack plates and dishes higher than 12 inches. Their combined weight can destroy the porcelain surface on the bottom plates.*

**Cleaning and Maintenance**

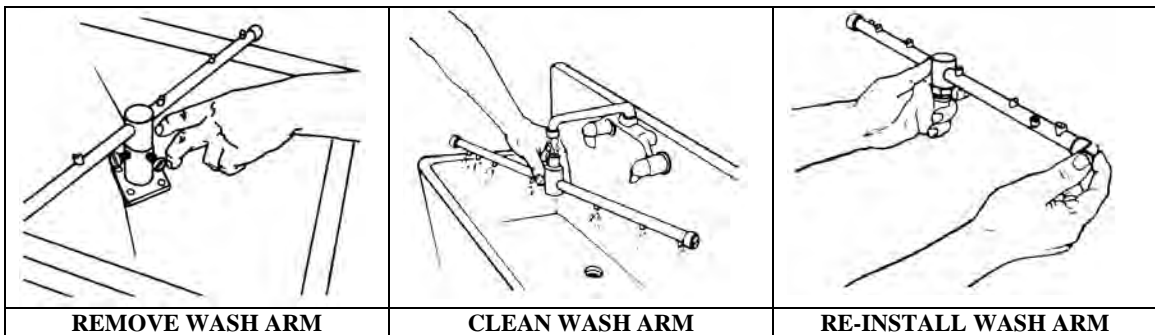
Certain times of the day should be allotted to cleaning dishwashing machine. Follow the cleaning and inspection procedures listed below:

**1. Cleaning the drain screen**

Remove the drain screen and thoroughly clean all foreign material from screen as shown in the illustration. **DO NOT BANG THE SCREEN ON THE TABLE TO JAR FOOD LOOSE.** Use the faucet or the pre-rinse hose. Re-install drain screen and ensure that it is in the proper position.



**2. Cleaning the washer arms**



Inspect the upper and lower spray arms to ensure they are not clogged with food scraps. Otherwise, full and uniform spray pressures will not be delivered to the soiled dishes.

If there is any question as to the spray arms being clear of food scraps, the spray arms should be removed and cleaned. Note that water will blow from all jets if they are open. Use toothpick to open clogged jets and flush to ensure that food scraps are out of the arm. If necessary, the stainless plug in the end of the arm can be unscrewed and removed to clean the inside of the arm tube at the sink.

After the arm has been thoroughly cleaned, re-install back into the base.

**3. Check Operations**

Operate the machine for one cycle. Watch detergent, sanitizer and rinse additive “delivery tubes” at the point where they inject chemical into the machine. Remember: red tube – detergent; blue tube-rinse; and clear white tube-sanitizer. Check temperature at the end of the cycle for 120° F minimum.

Title	Installation & Operation	Rev 1.02A
-------	--------------------------	-----------

4. **Cleanup**

*Wipe down the machine and check the chemical level in the containers. Also inspect machine for leaks or other items that might cause trouble during a rush period. You are now ready to wash dishes.*

*Remember: The chemical containers should be saved for pickup by the serviceman during his regular call. Do not throw them in the trash bin.*

5. **Empty the Scrap Tray**

*Remove scrap tray drawer and thoroughly rinse out. Clean tray after each meal, or once every hour if very busy.*



**EMPTY SCRAP TRAY**

**Quick service guide**

<b>TECHNICAL ISSUE</b>	<b>CAUSE</b>	<b>SOLUTION</b>
Starts with doors open	Faulty #1 micro switch (start/stop)	Replace micro switch
	Faulty door switch	Replace switch
Continues cycle	Faulty #1 micro switch (start/stop)	Replace micro switch
	Faulty start/fill switch	Replace switch
	Faulty door switch	Replace door switch
Wash motor will not shut off	Delimer switch in wrong position	Switch to <i>NORMAL</i> position
	Faulty motor contactor	Replace contactor
Sanitizer pump does not run	Faulty # 6 micro switch	Replace micro switch
	Delimer switch in wrong position	Switch to <i>NORMAL</i> position
	Faulty sanitizer pump motor	Replace sani motor
Water solenoid leaking	Debris inside water solenoid valve	Clean and replace diaphragm
	High water pressure on supply line	Decrease water pressure
	Faulty water solenoid valve	Replace valve
Does not fill or hold water in tank	Leaking drain ball	Replace drain ball
	Faulty #4 micro switch (Fill)	Replace micro switch
	Debris inside water solenoid valve or Faulty valve	Clean and replace diaphragm/valve
Vacuum breaker leaks	Worn internal vac. Brkr parts	Replace or clean parts
	Faulty check valve	Replace check valve
	Low incoming water pressure	Increase water pressure
Only runs when start/fill switch is depressed	Faulty #1 micro switch (start/stop)	Replace micro switch
	Faulty Door switch	Replace door switch
Will not start/ nothing works	Wall breaker tripped	Reset breaker
	Master on/off switch on machine turned off, or faulty	Reset or replace master switch
Runs, but none of the other functions engage	Faulty #2 Micro switch (cycle reset)	Replace micro switch
	Faulty ice cube relay (yellow relay)	Replace relay
	Faulty motor contactor	Replace contactor

Title	Installation & Operation	Rev 1.02A
-------	--------------------------	-----------

### **Troubleshooting the 3 Door Lift Model**

➤ **Will Not Start**

1. Check master switch on the control box to make sure that it is “ON”.
2. Check circuit breaker that services the dishwasher. Make sure it is “ON”.
3. After (ONLY after) checking steps 1 and 2, call the service technicians.

➤ **Out of Chemical**

Check backup supply of chemicals. **REMEMBER!** Red product label to red tube, blue product label to blue tube, and clear/white product label to clear/white tube. Note that sometimes extra product is left in storage area at the direction of the restaurant manager. Before calling service technicians, check with the manager for backup supplies.

➤ **Dishes/Glasses are Not Clean**

1. Before you call service technician, check your temperature gauge on the machine. Check to insure water temperature is at least 120° F. The 3Door dishwasher must have hot water delivered from the primary heater at 120° to 140° F. If temperature is okay, then...
2. Check that your water softener contains salt and is operating properly. Your service agreement from company calls for hot/soft water.
3. Check that dishes are racked properly. Check the screen and wash arm tips. If they are clear, call the service technicians.

➤ **Machine Will Not Hold Water**

Check the drain actuator for a knife, spoon, fork or foreign material then remove.

➤ **Water Running on the Floor**

If water is overflowing, the scrap accumulator or the scrap drawer may need to be cleaned. If not, call your plumber- the drain may be clogged.

➤ **Water Will Not Drain From the Machine**

Check the drain solenoid. Call the service technician.

➤ **Water Coming Out of the Door**

End plugs may be missing or lose. Check inside the scrap accumulator drawer. If the end plug came off during operation, it will be inside the scrap trap tray. Simply replace. If end plug is lost, call your service technician.

➤ **Machine Will Not Shut Off**

You can turn off the machine in an emergency by turning off the master switch located on the back of the control box. After turning off the master switch, call service technician.

➤ **Machine Will Not Fill**

Check gate valve on the top of the machine. Make sure “handle” has been opened. If it is, call your service technician.

Title	Installation & Operation	Rev 1.02A
-------	--------------------------	-----------

**ADDENDUM FOR MACHINES INSTALLED IN THE CITY OF CHICAGO**

*All food dispensing establishments using chlorine or other approved chemical sanitizers shall at all times maintain an adequate testing device.*

*Dishes and other eating and drinking utensils to be washed in a dishwashing machine shall be properly scraped and pre-rinsed and shall be stacked in racks or trays so as to avoid overcrowding and so as to permit wash and rinse waters to reach all surfaces of each utensil.*

*In machine washing, multi-use eating and drinking utensils shall be washed in water containing suitable detergent at a temperature from 120 degrees F. to 140 degrees F. or other method approved by the Department of Health.*

*The water in the wash tank shall be changed during operation as often as necessary to keep it reasonably clean. An effective concentration of detergent in the wash water shall be maintained at all times.*

*Bactericidal treatment shall consist of exposure of all surfaces of dishes and utensils being washed to a rinse of clean water, at a temperature of not less than 180 degrees F. or other method approved by the Department of Health.*

*All dishwashing machines shall maintain a flow pressure not less than 15 or more than 25 pounds per square inch on the fresh water line at the machine and not less than 10 pounds per square inch at the rinse nozzles. A suitable gauge cock shall be provided immediately upstream from the final rinse sprays to permit checking the flow of the final rinse water. An easily readable thermometer accurate to  $\pm 2$  degrees F. shall be provided on both the wash and rinse water lines of the dishwashing machine which will indicate the temperature of the water solution therein.*

*Dishwashing machines shall be thoroughly cleaned at least once each day. The pumps and the wash and rinse sprays or jets shall be so designed that a forceful stream of water will reach all surfaces of the utensils when they are properly racked. These parts shall be thoroughly cleaned at least once each day. The pumps and the wash and rinse sprays or jet shall be so designed that a forceful stream of water will reach all surfaces of the utensils when they are properly racked. These parts shall be readily accessible for inspection and cleaning.*

*After bactericidal treatment, utensils and containers shall be stored at a sufficient height above the floor in a clean, dry place protected from flies, splash, dust, overhead leakage and condensation, and other contamination until used for serving.*

*Drain racks, trays and shelves shall be made of non-corrodible material and shall be kept clean.*

*In handling containers and utensils the surface thereof which come in contact with food or drink shall not be touched by hands, except during the process of washing.*

*Tables for clean and dirty dishes and food shall be so arranged that the dirty dishes will be as far removed from the food and clean dishes as may be possible.*

*All single-service articles and utensils shall be purchased in sanitary cartons and stored therein in a clean, dry place until used, and after removal from the cartons, these articles shall be handled in such a manner to prevent contamination.*

***Please note the following procedures must be followed for City of Chicago Approval:***

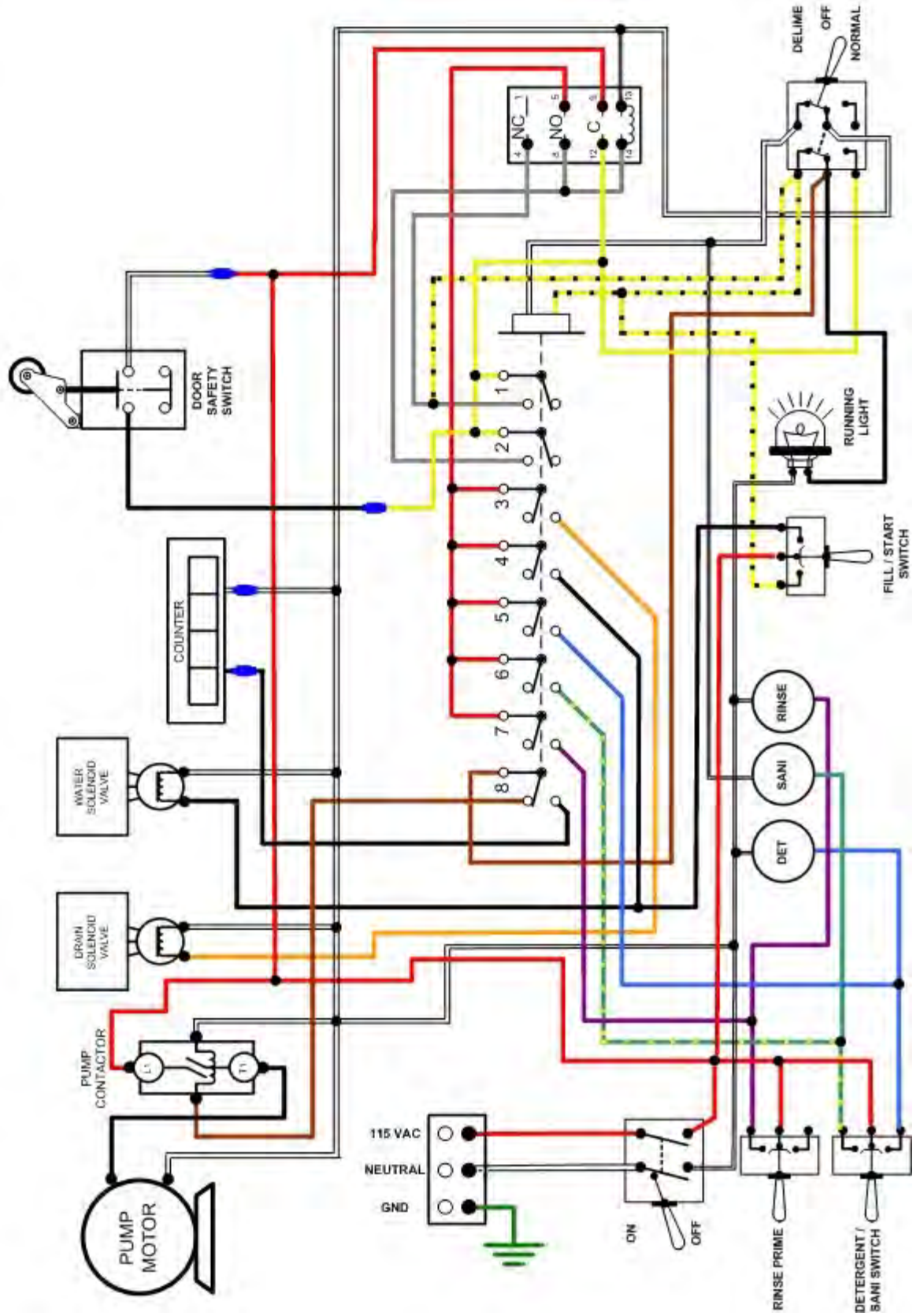
- 1. All low energy models must have low-level sani alarms, both visual and audio.*
- 2. All models must have a City of Chicago approval data label affixed to the machine.*
- 3. Chlorine sanitizer must be a minimum of 100 PPM.*

**ELECTRICAL DIAGRAM**

**WIRE DIAGRAM FOR MODEL: 3 Door Lift**

Rev. 1.00

09/26/03



Model DL2000

**Low Temp  
3 Door Lift Models  
Parts Manual  
Revision 1.03A**



3765 Champion Boulevard  
Winston-Salem, NC 27105  
336/661-1556 Fax: 336/661-1660 Toll-  
free:800/858-4477

2674 N. Service Road, Jordan Station  
Ontario, Canada LDR 1S 0  
905/562-4195 Fax: 905/562-4618  
Toll-free:800/263-5798

Title	Parts Manual	Rev 1.03A
-------	--------------	-----------

**TABLE OF CONTENTS**

**PARTS MANUAL ..... 3**

Initial Parts Kit (Part # 01100.85)..... 3

Exploded View Drawings..... 4

    Cabinet Assembly..... 4

    Control Box ..... 5

    Plumbing System..... 6

    Pump Assembly ..... 7

    Spray System Assembly ..... 8

    Drain System Assembly ..... 9

    Door Actuator Assembly ..... 10

    Peristaltic Pump Assembly ..... 11

Title	Parts Manual	Rev 1.03A
-------	--------------	-----------

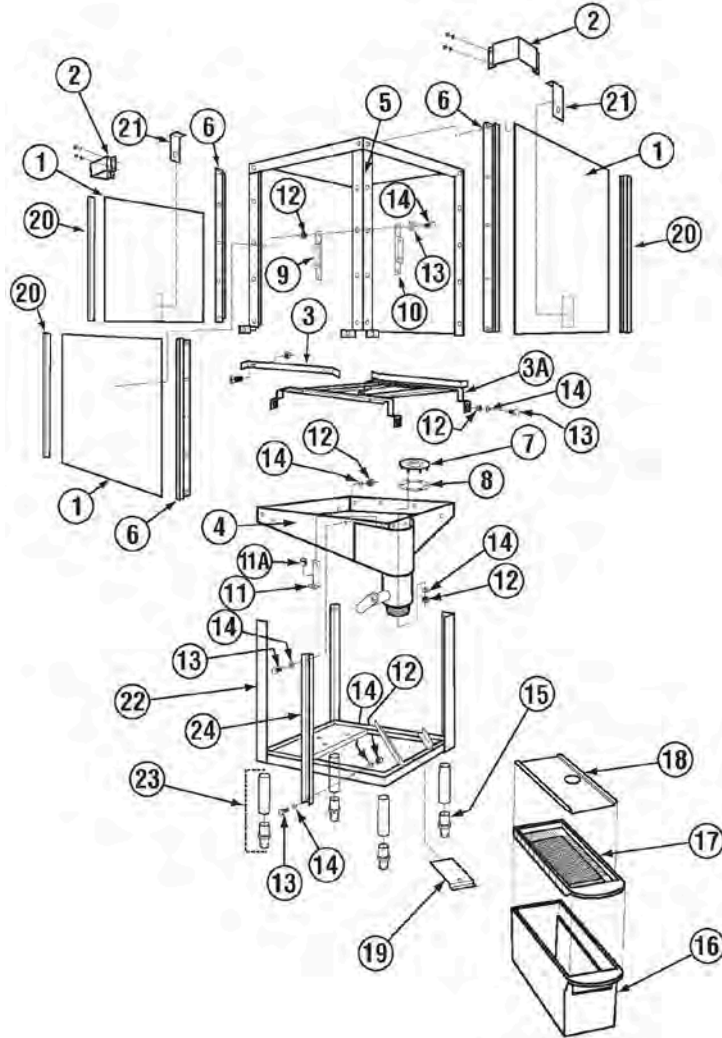
**PARTS MANUAL**

**Initial Parts Kit (Part # 01100.85)**

PART NO.	DESCRIPTION	QTY
00100.00	Drain Ball Solenoid 120V	1
00115.08	Drain Sump Screen (A/C)	1
00120.02	Thermometer (Bi Metal)	1
00121.25	Drain Ball	1
00200.10	Pump Assy. 110/220V 60Hz (Open)	1
00206.30	Pump Seal Kit	1
00307.30	Spray Arm Assy. ES Long w/bearing &plug	1
00404.82	Motor Contactor 115V/60HZ	1
00411.00	Micro Switch	1
00415.00	Peristaltic Pump Assy. 120V/60hz	1
00418.00	Peristaltic Pump Cover	1
00425.51	Chemical Tubing Blue	50
00425.53	Chemical Tubing Red	50
00425.54	Chemical Tubing White	50
00433.10	Master Switch (20 Amp)	1
00435.10	Squeeze Tube Orange 8"	1
00500.00	Timer Motor 90 Sec 110V/60Hz	1
00562.00	Roller Door Switch	1
00602.00	Door Spring	1
00631.00	Ice Cube Relay 120V	1
00955.00	5/16-18 X 5/8 Thumbscrew	1
01550.00	Solenoid Stop	1
03470.01	Toggle Switch(Moment) .25 Flat Term	1

**Exploded View Drawings**

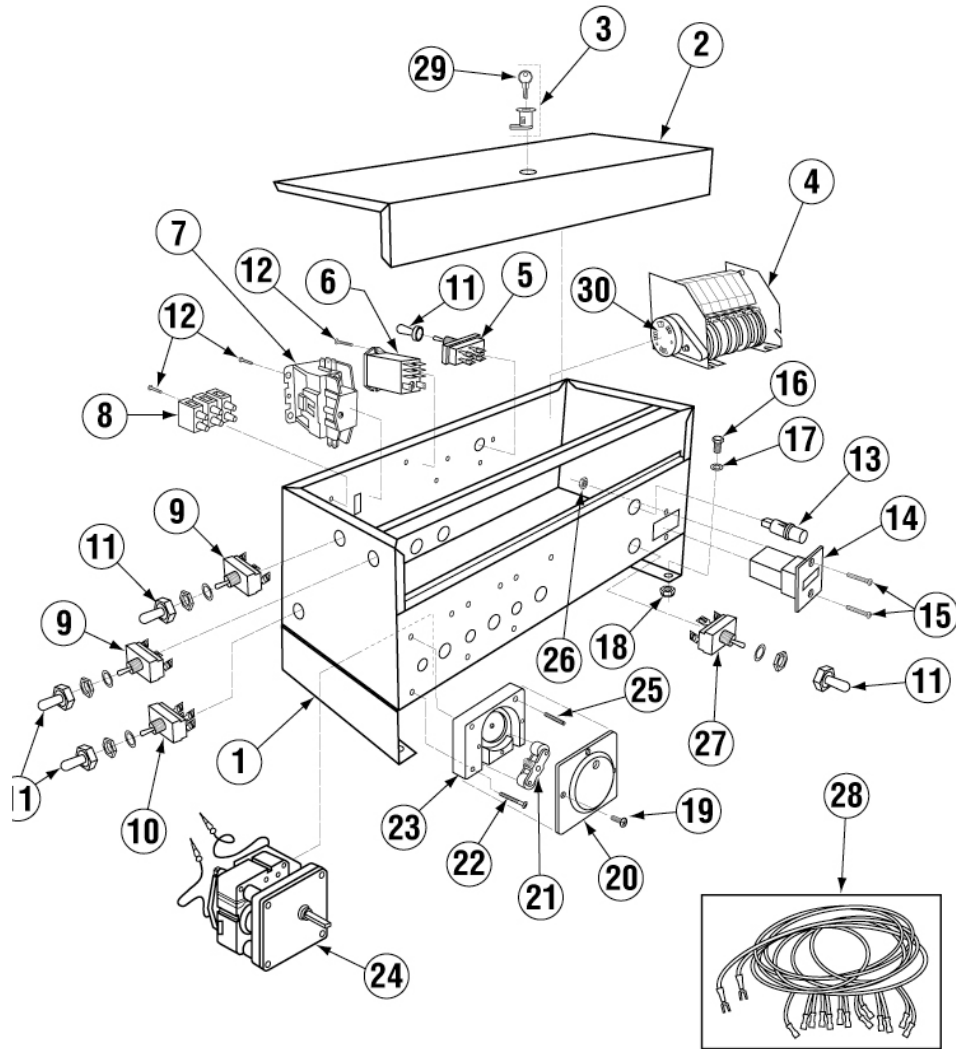
**Cabinet Assembly**



Item	Qty	Part No	Description
01	3	01506.45	Door Standard (Blanks)
02	2	01516.50	3-Door Bracket outside Style
03	1	01505.16	Corner Tray Track Bolt On Rail
03a	1	01505.10	Tray Track
04	1	01502.70	Pan - Bolt On No Legs
05	1	01510.40	Wrapper
06	6	01554.30	EZ Glide Door Guide SS 21 1/8"
07	1	00124.65	Drain Ball Seat
08	1	00125.10	Drain Sump Gasket
09	1	00101.20	Solenoid Bracket C LH
10	1	00101.10	Solenoid Bracket C RH
11	1	01558.20	Chem. Support Bracket
11a	3	00427.00	Snap Bushing 375-4

Item	Qty	Part No	Description
12	31	00912.00	1/4-20 Nylon Lock Nut
13	4	00906.00	1/4-20 X 1/2 Hexhead Bolt
14	9	00924.00	1/4 SS Washer
15	4	01310.20	Bullet Foot Plastic
16	1	01577.10	Molded Scrap Trap Body - New
17	1	01577.21	S/S Scrap Trap Drawer
18	1	01577.30	Molded Scrap Trap Lid - SS
19	1	01577.50	Molded Scrap Trap-Mount Bracket
20	6	00636.10	EZ Glide Door Guide Sq 21 7/8"
21	2	17552.00	Door Stop
22	1	01502.75	E Stand - Bolt On No Legs
23	4	01145.00	Leg Assy. w\Adjustable Socket
24	1	01570.24	Pan Support Bracket - C long

**Control Box**

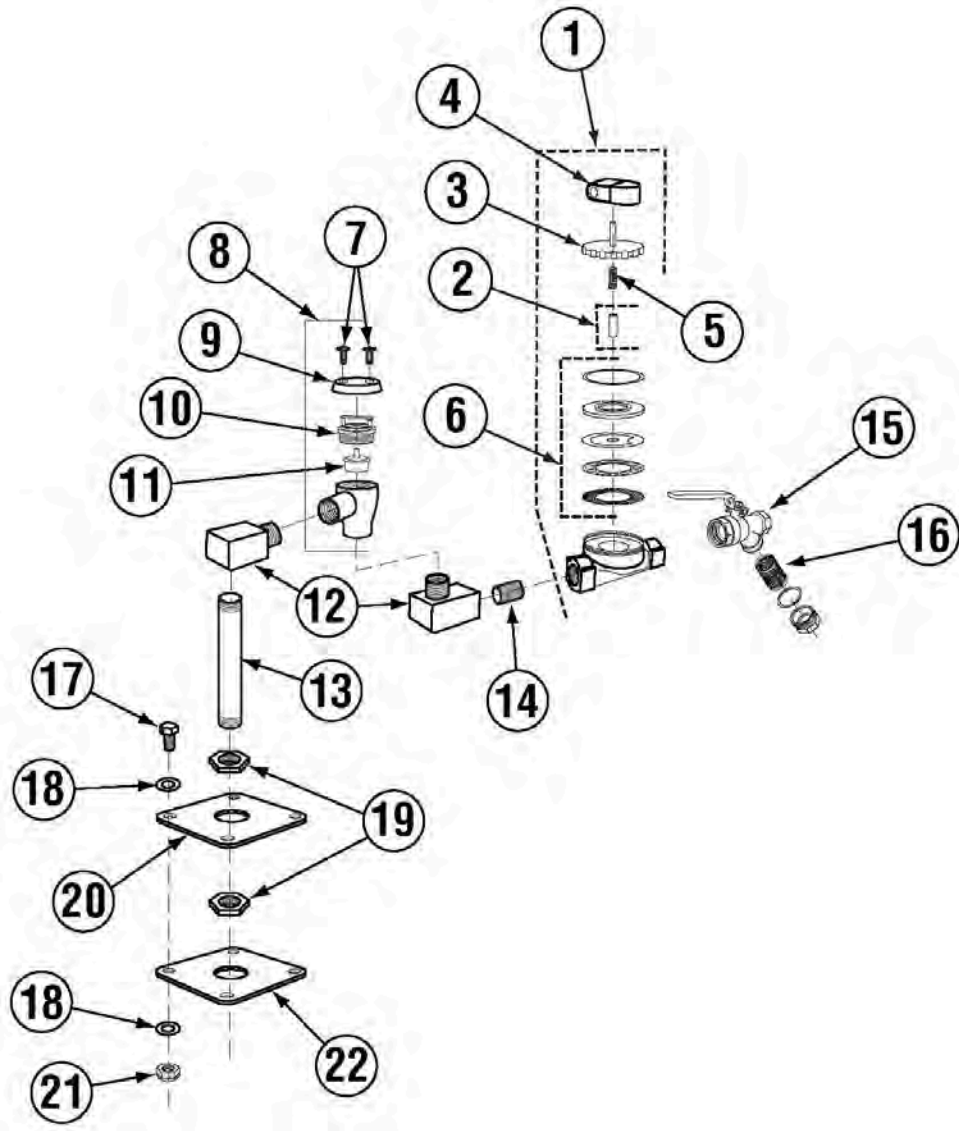


Item	Qty	Part No	Description
1	1	01503.09	Control Box Body
2	1	01504.09	Control Box Lid
3	1	00449.00	Lock And Key
4*	1	00407.80	Timer 90 Sec 8 Cam 120/60Hz
5	1	00475.00	Toggle Sw dpdt 5 amp/Delimer
6	1	00631.00	Ice Cube Relay 120V
7	1	00404.82	Motor Contactor 115V/60HZ
8	1	00454.10	3 Pole Socket Terminal Block
9	2	03470.00	Toggle Sw Momentary ScTerm
10	1	00471.10	Toggle switch DPST 20AMP
11	5	00470.10	Toggle Switch Rubber Boot
12	4	00911.50	8-32 X 3/8 Pan Head Screw
13	1	00406.00	Control Box Light .5" Dia Red
14	1	03408.50	Counter (Panel Mount) 120/60
15	2	00907.00	6-32 X 1/2 SS Panhead Screw

Item	Qty	Part No	Description
16	4	00906.00	1/4-20 X 1/2 Hexhead Bolt
17	4	00924.00	1/4 SS Washer
18	4	00912.00	1/4-20 Nylon Lock Nut
19	12	00911.00	8-32 X 1/2 Panhead Screw
20	3	00418.00	Peristaltic Pump Cover
21	3	00419.00	Peristaltic Pump Rotor Assy
22	6	00919.00	10-32 X 1 1/2 Panhead Bolt
23	3	00417.00	Peristaltic Pump Block
24	3	00416.00	Peristaltic Pump Motor 120/60
25	3	00918.00	10-32 X 1 1/2 Filister Bolt
26	4	00917.00	8-32 PM Nut
27	1	03470.01	Toggle Sw Moment 25 Flat Term
28	1	00414.86	Wiring Harness
29	1	00450.00	Key Only
30	1	00500.00	Timer Motor 90 Sec 115V/60Hz

\*00411.00 –Microswitch only.

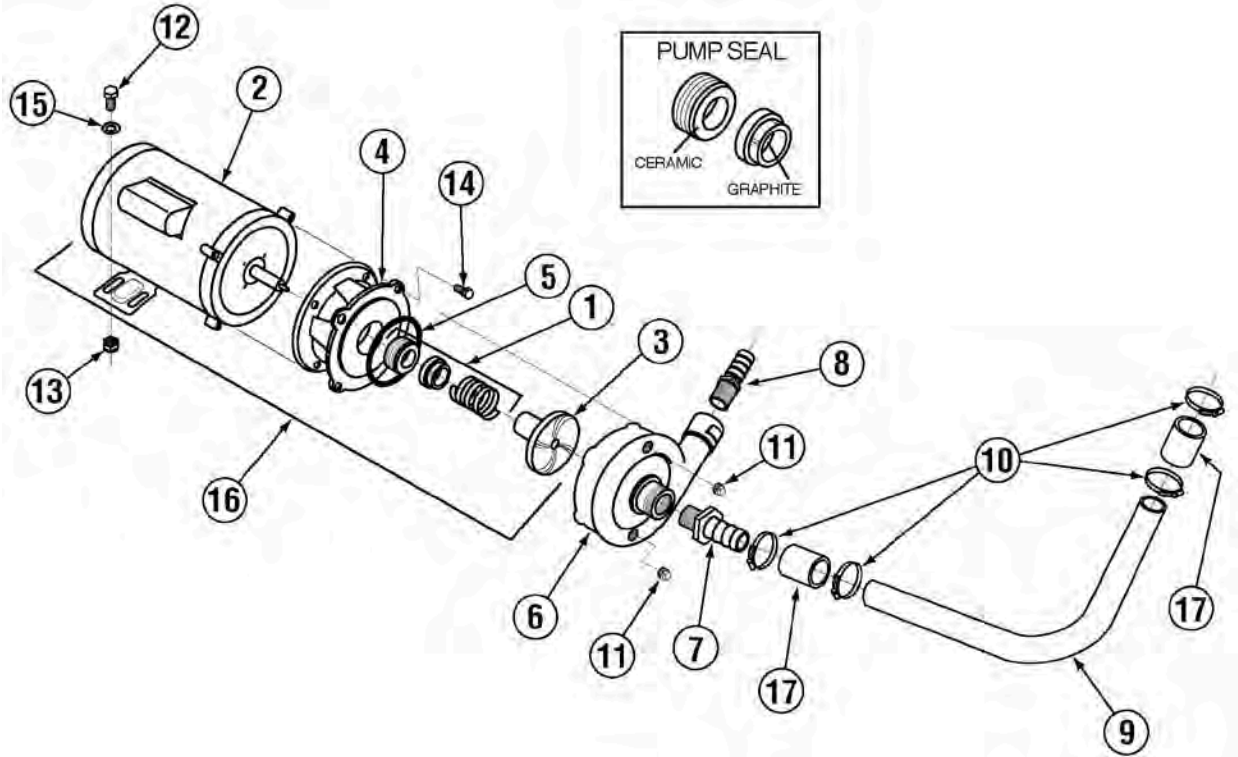
**Plumbing System**



Item	Qty	Part No	Description
01	1	03603.10	½" Water Sol Valve 120v/60hz
02	1	00786.00	Water Sol Plunger G JE ¾ & ½
03	1	03603.20	½ "Water Solenoid Bonnet
04	1	00738.10	Solenoid Coil JE 120V (¾ & ½)
05	1	00706.10	¾" Solenoid JE Spring Only
06	1	00707.00	1/2" Water Solenoid Repair Kit JE
07	2	00421.51	6-32 x 1/4" Pan Head Screw
08	1	03624.00	Vacuum Breaker Assembly, Watts**
09	1	00739.50	Vacuum Breaker Cap, SS (fits ½/ ¾)
10	1	03624.25	½" Vacuum Breaker Bonnet, Brass
11	1	03623.00	½" Vacuum Breaker Repair Kit

Item	Qty	Part No	Description
12	2	00745.00	½" 90 Deg Street Elbow
13	1	00747.10	Nipple Brass ½" x5
14	1	00742.00	½"x1-1/2" Brass Nipple
15	1	41062.00	½" Strainer Ball Valve
16	1	41062.10	½" Ball Valve Strainer Only
17	4	00914.10	1/4-20 X 5/8 Hexhead Bolt
18	8	00924.00	1/4 SS Washer
19	2	00721.00	½" Jamb Nut
20	1	13302.17	Flange Sq (¾ Dia.)
21	4	00912.00	¼-20 Nylon Lock Nut
22	1	04306.00	Square Manifold Gasket

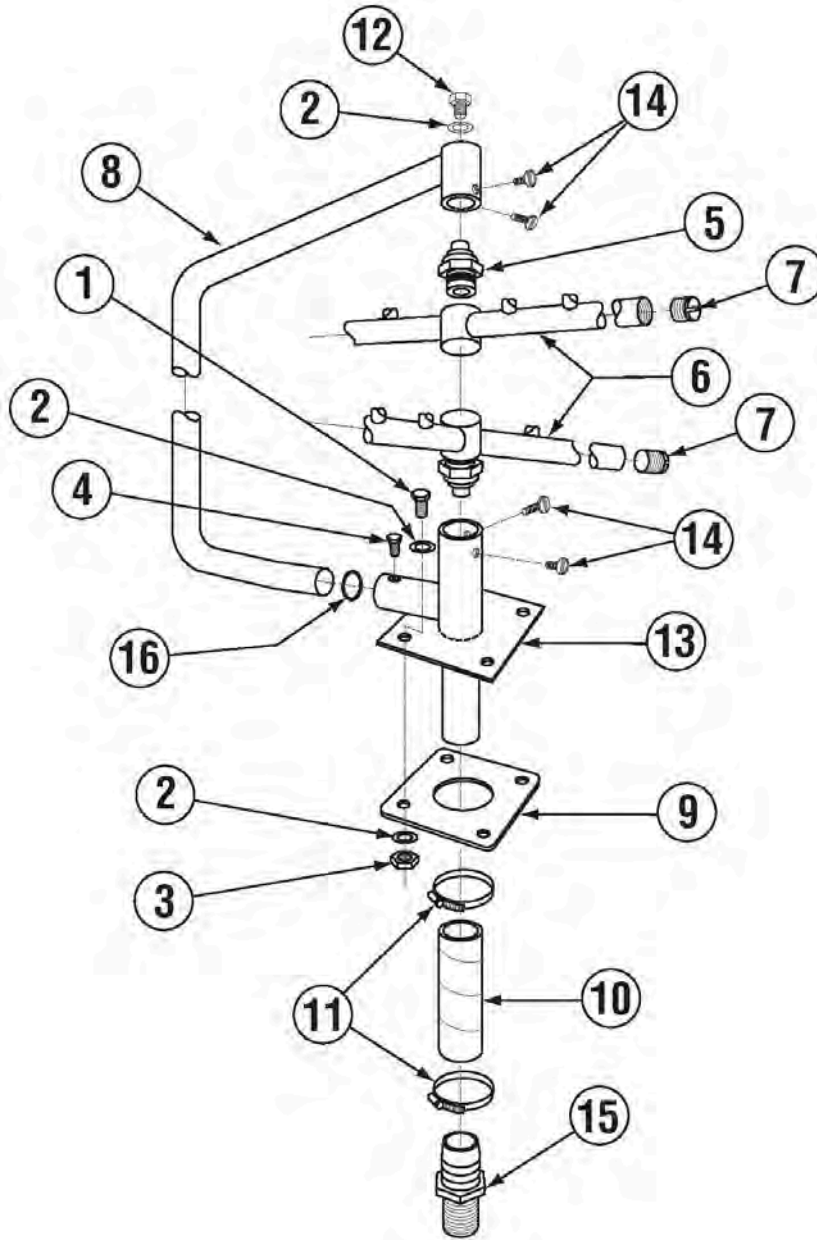
**Pump Assembly**



Item	Qty	Part No	Description
01	1	00206.30	Pump Seal Kit
02	1	00201.00	Pump Motor 1Hp 115/208-230V
03	1	03222.10	Impeller (Universal) Open
04	1	03224.00	Pump Base
05	1	03226.00	Pump O Ring Gasket
06	1	04206.00	Pump Cover
07	1	50302.40	1 1/4 MIP X 1" Barb Fitting
08	1	50302.06	1" MPT X 1" Barb PVC Sch 80
09	1	00246.40	Motor Suction Tube

Item	Qty	Part No	Description
10	2	03101.00	Hose Clamp # 16 1"
11	2	00238.00	3/8 Male Plug
12	1	00906.00	1/4-20 X 1/2 Hexhead Bolt
13	1	00912.00	1/4-20 Nylon Lock Nut
14	4	00921.00	3/8-16 X 3/4 SS Hexhead Bolt
15	1	00924.00	1/4 SS Washer
16	1	<a href="#">00200.10</a>	Pump Assy. 110/ 220V 60Hz
17	2	03108.67	Transfer Hose 1" Reinforced 2"

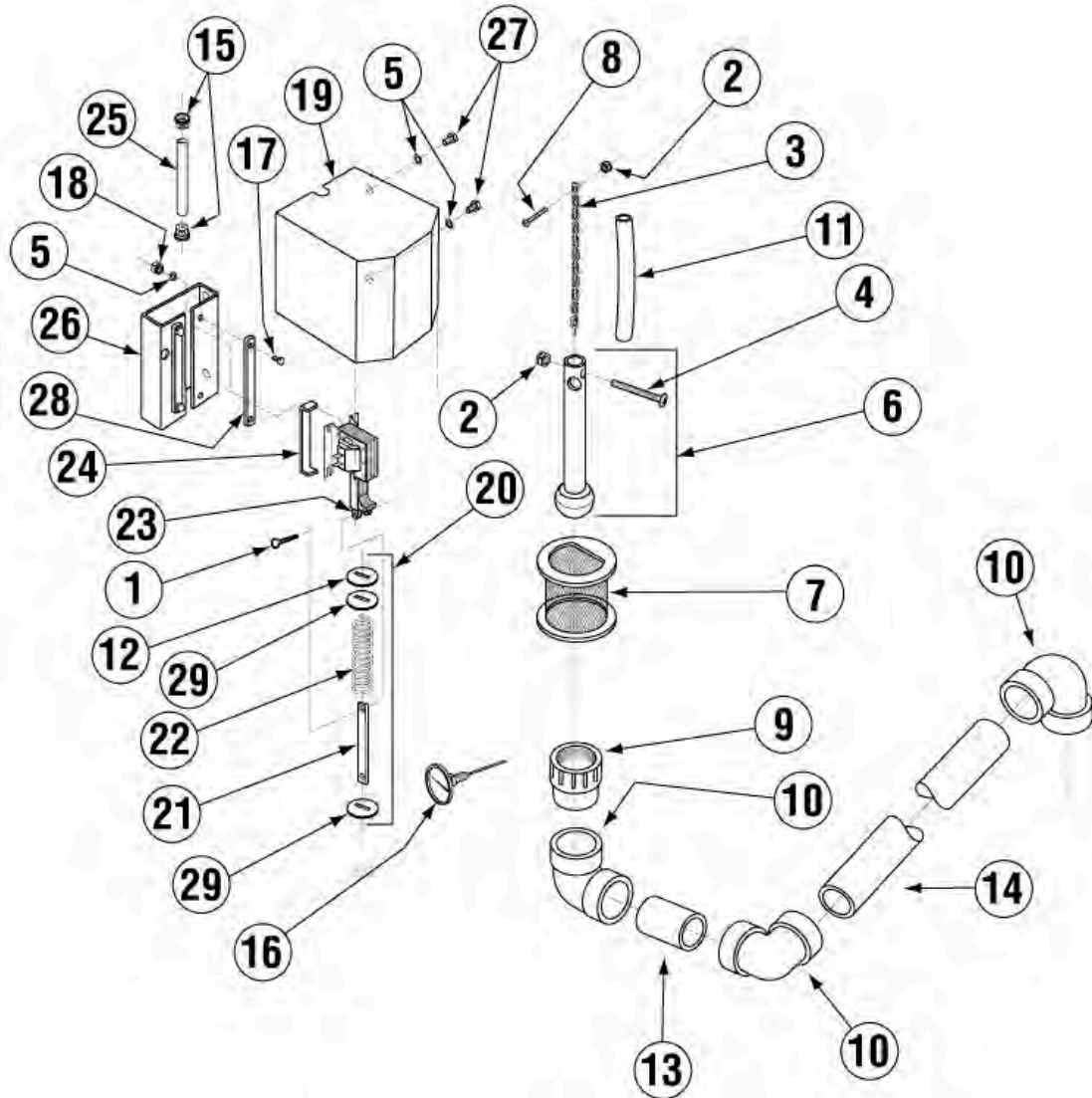
Spray System Assembly



Item	Qty	Part No	Description
01	4	00914.00	1/4-20 X 3/4 Hexhead Bolt
02	9	00924.00	1/4 SS Washer
03	4	00912.00	1/4-20 Nylon Lock Nut
04	1	00966.10	10-32 X 1/4 Hexhead SS Bolt
05	2	00342.00	Spray Arm Bearing
06	2	00310.00	Spray Arm
07	4	00308.50	Spray Arm End Plug SS
08	1	00305.03	Spray Manifold

Item	Qty	Part No	Description
09	1	04306.00	Square Manifold Gasket
10	1	03108.10	Transfer Hose 10"
11	2	03101.00	Hose Clamp # 16 1"
12	1	00905.82	1/4-20 X 3/8 Truss Head Bolt
13	1	00357.10	Lower Spray Base EAH
14	4	00955.00	5/16 -18x 5/8 Thumbscrew
15	1	50302.06	1" MPT X 1" Barb PVC Sch 80
16	1	00302.84	Spray Base O ring

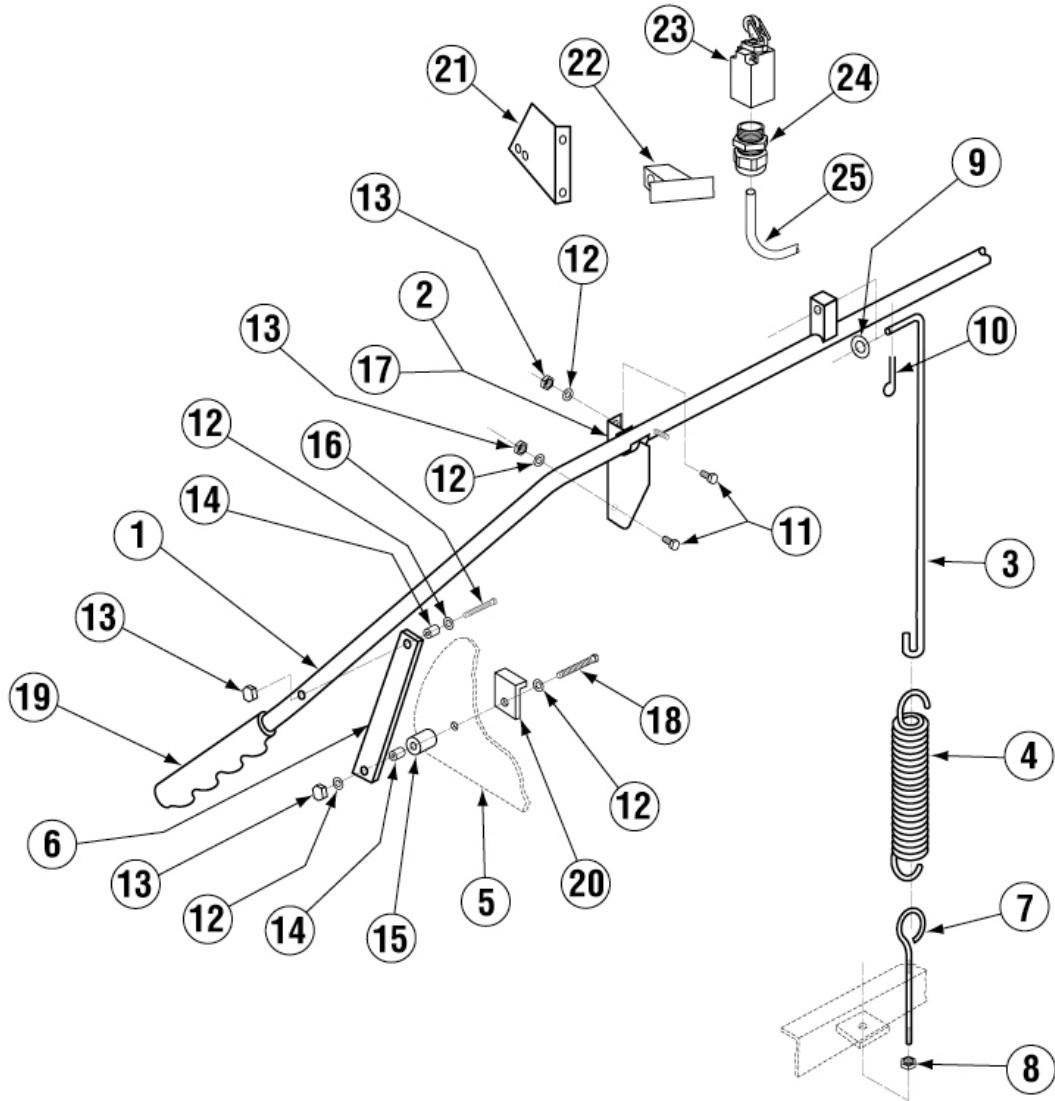
***Drain System Assembly***



Item	Qty	Part No	Description
01	1	00900.10	Cotter pin 1/8" X 1"
02	2	00927.00	8-32 Nylon Lock Nut
03	1	00110.07	Drain Ball Chain-12 Link
04	1	00902.00	8-32 X 1 1/4 Panhead Bolt
05	6	00922.00	1/4 Lock Star Washer
06	1	00121.25	Drain Ball Assy
07	1	00115.08	Drain Sump Screen
08	1	03812.00	8-32 X 5/8 Panhead Screw
09	1	01313.20	2" Spg X Fip Adapter
10	3	01312.20	2" Vent ELL Hub X Hub
11	1	41019.11	1/2 ID X 11/16 OD Hose 9"L
12	1	00105.20	Drain Solenoid Linkage Washer
13	1	05030.22	Tubing 2" X 3 3/4"
14	1	05030.24	Tubing 2" X 13 3/4"
15	2	00936.00	312-250 Shorty Bushing

Item	Qty	Part No	Description
16	1	00120.02	Thermometer (Bi Metal)
17	4	00914.00	1/4-20 X 3/4 Hexhead Bolt
18	4	00915.00	1/4-20 SS Nut
19	1	01507.50	Solenoid Cover TM A/B/C
20	1	00122.00	Drain Solenoid Spring Assy.
21	1	01551.00	Solenoid Link
22	1	00105.00	Solenoid Spring
23	1	00100.00	Drain Ball Solenoid 120V
24	1	01550.00	Solenoid Stop
25	1	00464.07	3/8 SS Tubing(TM A/B Sol Wire)
26	1	00102.00	Solenoid Base
27	9	00906.00	1/4-20 X 1/2 Hexhead Bolt
28	2	00103.00	Solenoid Bar
29	2	00106.00	Slot Washer Large-SS

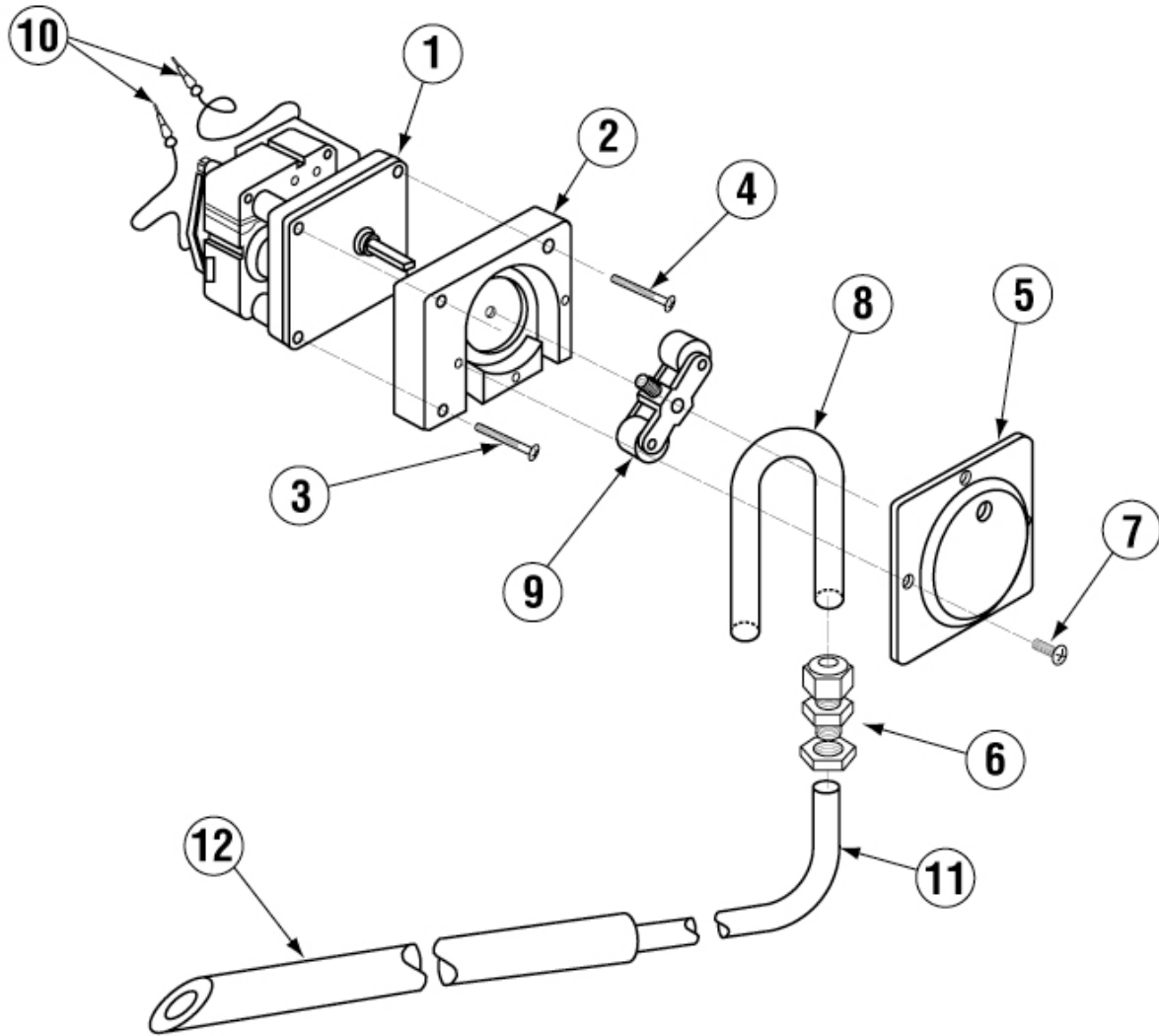
**Door Actuator Assembly**



Item	Qty	Part No	Description
01	1	00613.09	Door Handle EAH
02	1	01556.50	RH Door Handle Support Brckt
03	1	00603.07	Door Spring Extension Rod AB
04	1	00602.00	Door Spring
		00602.20	Door Spring -Heavy Duty
05	2	01506.30	Door A B C M CMA-44
06	2	01553.00	Door Handle Link
07	1	00606.00	Eye Bolt 5/16-18 X 8 1/2
08	1	00913.00	5/16-18 SS Nut
09	1	00926.00	5/16 SS Washer
10	1	00900.00	Cotter Pin
11	4	00906.00	1/4-20 X 1/2 Hexhead Bolt
12	6	00924.00	1/4 SS Washer

Item	Qty	Part No	Description
13	8	00912.00	1/4-20 Nylon Lock Nut
14	4	00610.00	Door Handle Spacer Small
15	4	00611.00	Door Handle Spacer (Lg)
16	2	00910.00	1/4-20 X1 1/2 SS Hexhead Bolt
17	1	01555.50	LH Door Handle Support Brckt
18	2	00903.00	1/4-20 X 1 3/4 SS Hexhead Bolt
19	2	00607.04	Door Handle Cap 1"
20	2	01552.00	Door Stop
21	1	00563.40	Door Switch Bracket (8-08)
22	1	00563.42	Door Switch Actuator (8-08)
23	1	00562.00	Roller Door Switch
24	1	00562.60	Connector Door Roller Switch
25	1	00546.00	18 AWG Switch Cord

**Peristaltic Pump Assembly**



Item	Qty	Part No	Description
01	1	00416.00	Peristaltic Pump Motor 120v/60hz
02	1	00417.10	Peristaltic Pump Block
03	2	00919.00	10-32 X 1 1/2 Panhead Bolt
04	1	00918.00	10-32 X 1 1/2 Filister Bolt
05	1	00418.00	Peristaltic Pump Cover
06	1	03415.40	Liquid Tight Fitting 1/4"
07	4	00911.00	8-32 X 1/2 Panhead Screw

Item	Qty	Part No	Description
08	1	00435.10	Squeeze Tube 8" Orange
09	1	00419.00	Peristaltic Pump Rotor Assy.
10	2	00448.00	Male Barrel connector 14-16 gauge
11	1	00425.51	Chemical Tubing Blue
11	1	00425.53	Chemical Tubing Red
11	1	00425.54	Chemical Tubing White
12	1	00443.00	Tube Stiffener