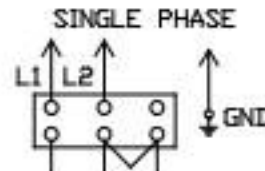
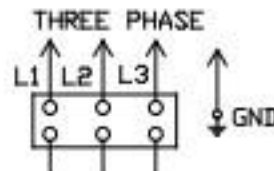


L1 L2 L3 N
 208-240V 1 OR 3 PHASE
 1 PHASE-CIRCUIT CAPACITY 80AMPS
 1 PHASE-MAX BREAKER 80AMPS
 3 PHASE-CIRCUIT CAPACITY 50AMPS
 3 PHASE-MAX BREAKER 50AMPS

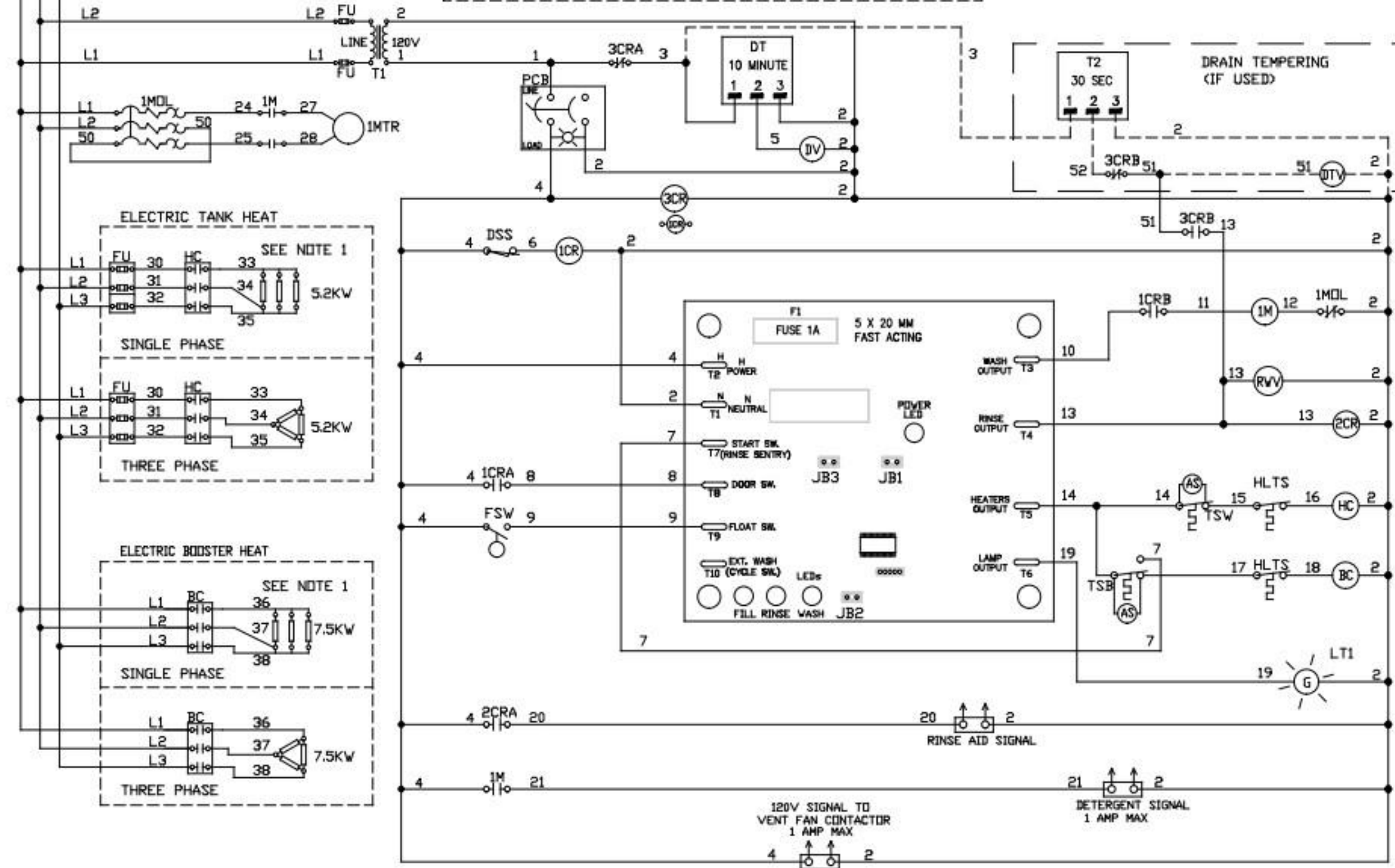
FOR THREE PHASE OPERATION REMOVE JUMPER BETWEEN L2 AND L3.
 FOR SINGLE PHASE OPERATION LEAVE THE JUMPER INSTALLED AND
 CONNECT HEATERS AS SHOWN BELOW.



! ATTENTION - VERY IMPORTANT ! - VERIFY
 CIRCUIT BOARD PART NUMBER AND JUMPER POSITION
 SETTINGS (JB1, JB2, JB3) PER MACHINE MODEL AND
 SERIAL NUMBER AS INDICATED IN TABLE BELOW.
 IMPROPER JUMPER SETTINGS MAY CAUSE ERRATIC
 OPERATION.

OPERATION	MACHINE MODEL	BOARD SERIAL NUMBER	JUMPER SETTINGS		
			JB1	JB2	JB3
DH/MD2000	D09037592	114470	OPEN	OPEN	OPEN

1CR	DOOR SWITCH RELAY
2CR	RINSE AID RELAY
3CR	DRAIN VALVE RELAY
1M	WASH MOTOR CONTACTOR
1MOL	WASH MOTOR OVERLOAD
AS	ARC SUPPRESSOR
BC	BOOSTER TANK CONTACTOR
DSS	DOOR SAFETY SWITCH
DT	DRAIN TIMER
DTV	DRAIN TEMPERING VALVE
DV	DRAIN VALVE
F1	TIMER BOARD FUSE
FSW	FLOAT SWITCH
FU	FUSE
HC	TANK HEAT CONTACTOR
HLTS	HIGH LIMIT THERMOSTAT
JB1	RINSE TIME SELECT JUMPER
JB2	CYCLE SELECT JUMPER
JB3	CYCLE SELECT JUMPER
LT1	CYCLE LIGHT
PCB	POWER CIRCUIT BREAKER
RWV	RINSE WATER VALVE
T2	DRAIN TEMPERING TIMER
TSB	BOOSTER TANK THERMOSTAT
TSW	WASH TANK THERMOSTAT



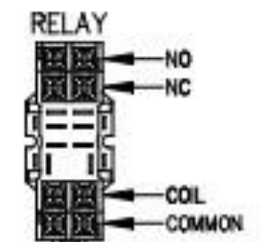
IF CHANGE AND/OR REVISE MAKE SURE TO
 UPDATE PART# 114656, SCHEMATIC PEEL-OFF
 LABEL

TO TEST INPUTS T7, T8, AND T9 A METER
 CAPABLE OF READING DC VOLTAGES MUST
 BE USED.

- 1.) SET METER TO READ DC VOLTAGE
- 2.) PLACE BLACK LEAD TO T2
- 3.) PLACE RED LEAD TO TERMINAL BEING TESTED
 I.e. PLACE RED LEAD TO T8 TO TEST DOOR SW.
- 4.) AN OPEN SWITCH WILL READ 4.7-5.3VDC
 A CLOSED SWITCH WILL READ 0-1VDC

- 5.) TORQUE SPECS:
 HEAT CONTACTORS = 25 LB-IN
 MOTOR CONTACTOR = 15 LB-IN
 MOTOR STARTER = 15 LB-IN

DIAGRAM STATE
 POWER OFF
 DOORS CLOSED
 TANKS EMPTY
 END OF CYCLE



CUSTOMER TO SUPPLY RATED VOLTAGE/PHASE/Hz
 AS SPECIFIED PER ORDER TO DISCONNECT SWITCH.
 ALL POWER SUPPLIED TO EACH CONNECTION POINT
 MUST COMPLY WITH ALL LOCAL ELECTRIC CODES.

DR. BY	J. McALLISTER	SCALE	NONE
DATE	30MAR09	SHEET	1 OF 1

REV.	DESCRIPTION	DATE	BY
B	REVISED DRAIN TEMPERING CIRCUIT	18AUG09	JAM
C	ADDED TORQUE SPECS.	20NOV14	TJ

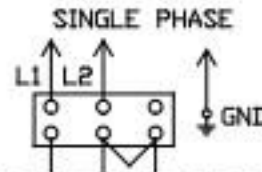
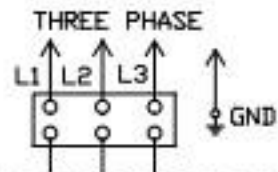
REV.	DESCRIPTION	DATE	BY

Champlon
 The Dishwashing Machine Specialists

DH/MD2000 DOOR MACHINE
 1 & 3 PHASE
 B 702119 REV. C

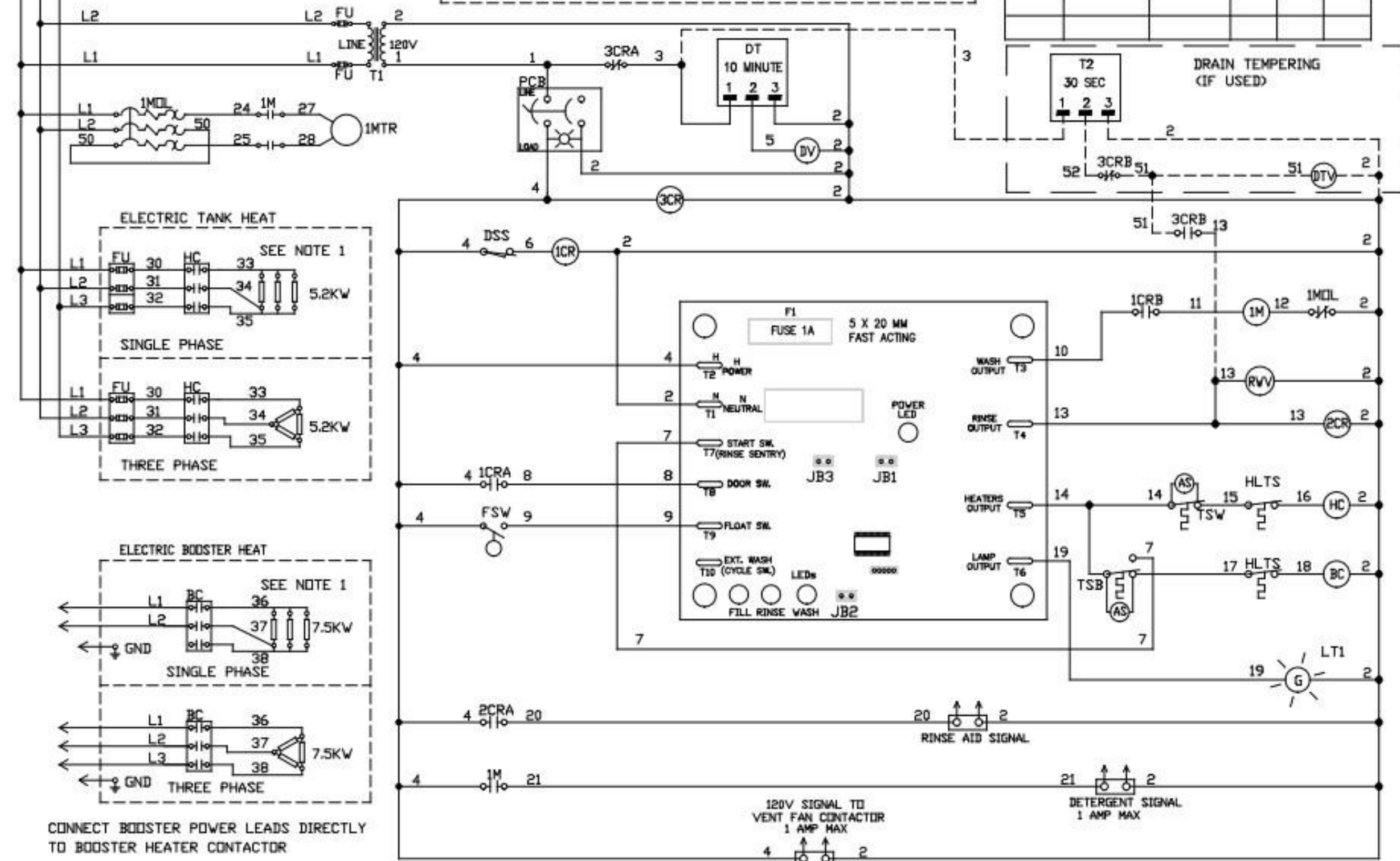
L1 L2 L3 N
 208-240V 1 OR 3 PHASE
 1 PHASE-CIRCUIT CAPACITY 80AMPS
 1 PHASE-MAX BREAKER 80AMPS
 3 PHASE-CIRCUIT CAPACITY 50AMPS
 3 PHASE-MAX BREAKER 50AMPS

FOR THREE PHASE OPERATION REMOVE JUMPER BETWEEN L2 AND L3.
 FOR SINGLE PHASE OPERATION LEAVE THE JUMPER INSTALLED AND
 CONNECT HEATERS AS SHOWN BELOW.



! ATTENTION - VERY IMPORTANT ! - VERIFY
 CIRCUIT BOARD PART NUMBER AND JUMPER POSITION
 SETTINGS (JB1, JB2, JB3) PER MACHINE MODEL AND
 SERIAL NUMBER AS INDICATED IN TABLE BELOW.
 IMPROPER JUMPER SETTINGS MAY CAUSE ERRATIC
 OPERATION.

OPERATION	MACHINE MODEL	SERIAL NUMBER	BOARD PART NUMBER	JUMPER SETTINGS		
				JB1	JB2	JB3
	DH/MD2000	D09037592	114470	OPEN	OPEN	OPEN



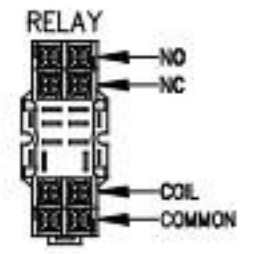
1CR	DOOR SWITCH RELAY
2CR	RINSE AID RELAY
3CR	DRAIN VALVE RELAY
1M	WASH MOTOR CONTACTOR
AS	ARC SUPPRESSOR
BC	BOOSTER TANK CONTACTOR
DSS	DOOR SAFETY SWITCH
DT	DRAIN TIMER
DTV	DRAIN TEMPERING VALVE
DV	DRAIN VALVE
F1	TIMER BOARD FUSE
FSW	FLOAT SWITCH
FU	FUSE
HC	TANK HEAT CONTACTOR
HLTS	HIGH LIMIT THERMOSTAT
JB1	RINSE TIME SELECT JUMPER
JB2	CYCLE SELECT JUMPER
JB3	CYCLE SELECT JUMPER
LT1	CYCLE LIGHT
PCB	POWER CIRCUIT BREAKER
RWV	RINSE WATER VALVE
T2	DRAIN TEMPERING TIMER
TSB	BOOSTER TANK THERMOSTAT
TSW	WASH TANK THERMOSTAT

IF CHANGE AND/OR REVISE MAKE SURE TO
 UPDATE PART# 114656, SCHEMATIC PEEL-OFF
 LABEL

TO TEST INPUTS T7, T8, AND T9 A METER
 CAPABLE OF READING DC VOLTAGES MUST
 BE USED.

- 1.) SET METER TO READ DC VOLTAGE
- 2.) PLACE BLACK LEAD TO T2
- 3.) PLACE RED LEAD TO TERMINAL BEING TESTED
 i.e. PLACE RED LEAD TO T8 TO TEST DOOR SW.
- 4.) AN OPEN SWITCH WILL READ 4.7-5.3VDC
 A CLOSED SWITCH WILL READ 0-1VDC

DIAGRAM STATE
 POWER OFF
 DOORS CLOSED
 TANKS EMPTY
 END OF CYCLE



CONNECT BOOSTER POWER LEADS DIRECTLY
 TO BOOSTER HEATER CONTACTOR

CUSTOMER TO SUPPLY RATED VOLTAGE/PHASE/Hz
 AS SPECIFIED PER ORDER TO DISCONNECT SWITCH.
 ALL POWER SUPPLIED TO EACH CONNECTION POINT
 MUST COMPLY WITH ALL LOCAL ELECTRIC CODES.

DR. BY J. MCALLISTER SCALE NONE
 DATE 04SEP09 SHEET 1 OF 1

REV.	DESCRIPTION	DATE	BY
A	ADDED DRAIN TEMPERING CIRCUIT	11AUG09	JAM
B	REVISED DRAIN TEMPERING CIRCUIT	18AUG09	JAM

REV.	DESCRIPTION	DATE	BY

Champlon
 The Dishwashing Machine Specialists

FOR SINGLE POINT CONNECTION SEE 702119

DH/MD2000 DOOR MACHINE 1 & 3 PHASE TWO CONNECTIONS	
B	702119-2 REV. 0

