



Service Replacement Parts



Model:

**MDHHD**

Hot water sanitizing machine  
w/fresh water rinse and built-in  
stainless steel electric booster



Issue Date: 10.15.19

**Manual P/N 117119 rev. A**

For machines beginning with S/N D190217104 and above

NATIONAL SERVICE DEPARTMENT

USA

Toll-free: 1-800-858-4477  
Tel: (336) 661-1556  
Fax: (336) 661-1660  
Email: [service@championindustries.com](mailto:service@championindustries.com)

Canada

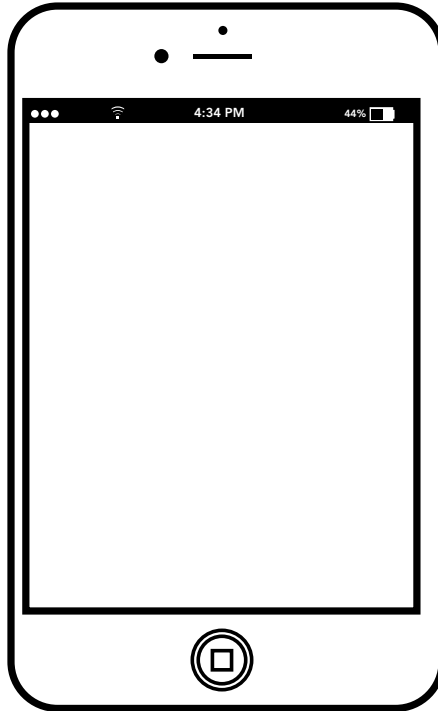
Toll-free: 1-800-263-5798  
Tel: (905) 562-4195  
Fax: (905) 562-4618  
Email: [service@moyerdiebellimited.com](mailto:service@moyerdiebellimited.com)

ATTENTION

The machine data plate  
is located right front corner  
of the front panel.



# Two ways to **REGISTER YOUR PRODUCT and ACTIVATE YOUR WARRANTY.**



- Use your mobile device and connect to the website [www.championindustries.com](http://www.championindustries.com) to register your product.
- Complete the fax form on the next page.

# PRODUCT REGISTRATION BY FAX

COMPLETE THIS FORM AND FAX TO:

(336) 661-1660 in the USA

1-(800) 204-0109 in Canada

## PRODUCT REGISTRATION CARD

Model
-------

Serial #
----------

Date of Installation: \_\_\_/\_\_\_/\_\_\_

Company Name: \_\_\_\_\_

Address: \_\_\_\_\_  
(Street) State/Province Zip/Postal Code

Telephone #: ( ) \_\_\_\_\_ --- \_\_\_\_\_

Contact: \_\_\_\_\_

Installation Company: \_\_\_\_\_

Address: \_\_\_\_\_

Telephone #: \_\_\_\_\_

Contact: \_\_\_\_\_

**FAILURE TO REGISTER YOUR PRODUCT MAY VOID YOUR WARRANTY**

**IMPORTANT                      IMPORTANT**

# Revision History

Specifications are subject to change based on continual product improvement.

<i>Revision Date</i>	<i>Revised Pages</i>	<i>Serial Number Effectivity</i>	<i>Revision Description</i>
8.30.19	All	D190217104	Released first edition.
9.9.19	39	D190217104	Changed Item 8, P/N 05108070 to P/N <a href="#">0510870-1</a> .
10.11.19	40-41	D191018397	Replaced Dependo-matic drain valve, P/N <a href="#">114471</a> with metal electric drain valve, P/N <a href="#">117014</a> .
10.15.19	40-41	D191018397	Added 6" drain screen to tank.

# Limited Warranty

*Moyer Diebel Limited (herein referred to as Moyer Diebel, 2674 North Service Road, Jordan Station, Ontario, L0R 1S0 and 3765 Champion Blvd., Winston-Salem, NC 27105) warrants machines, and parts, as set out below.*

**WARRANTY OF MACHINES:** Moyer Diebel warrants all new machines of its manufacture bearing the name Champion, Moyer Diebel and/or Nexus and installed within the United States and Canada to be free from defects in material and workmanship for a period of one (1) year after the date of installation or fifteen (15) months after the date of shipment by Moyer Diebel, whichever occurs first. Products shipped outside of United States and Canada do not have warranty. The warranty registration card must be returned to Moyer Diebel within ten (10) days after installation. Warranty registration must be submitted to Moyer Diebel within ten (10) days after installation either online at: <https://www.championindustries.com/warranty-registration>, or by fax on the form provided in the front of this manual if warranty card is not returned to Moyer Diebel within such period, the warranty will expire after one year from the date of shipment. Moyer Diebel will not assume any responsibility for extra costs for installation in any area where there are jurisdictional problems with local trades or unions. If a defect in workmanship or material is found to exist within the warranty period, Moyer Diebel, at its election, will either repair or replace the defective parts, machine or accept return of the machine for full credit. In the event that Moyer Diebel elects to repair, the labour and work to be performed in connection with the warranty shall be done by a Moyer Diebel "Authorized Service Agent" during regular working hours and will be covered at normal rates and any additional overtime rate will be at the responsibility of the equipment purchaser. Warranty is covered up to 50 miles or 80 km's of travel from a Moyer Diebel authorized service technician. If travel exceeds 50 miles or 80 km's, then the end user will be responsible for additional travel expense. Service calls initiated under warranty that are found to not contain any defects in materials or workmanship, will not be covered by Moyer Diebel. Defective parts become the property of Moyer Diebel. Use of non OEM replacement parts not authorized by Moyer Diebel will relieve Moyer Diebel of all liability in connection with its warranty. In no event will Moyer Diebel's warranty obligation exceed Moyer Diebel's charge for the machine. Models that come with a factory paid start-up will be limited to one visit. Machines found to have issues related to installation procedures, or delays of any kind, will not be covered by Moyer Diebel and the sole responsibility of the equipment purchaser.

### The following are not covered by Moyer Diebel's warranty:

- a. Element tubes and/or squeeze tubes.
- b. Vacuum breakers.
- c. Replacement of fuses or resetting of overload breakers, or high limits.
- d. Adjustment of thermostats, or temperature controlling devices.
- e. Adjustment of clutches.
- f. Adjustments of water pressure(s).

- g. Adjustments of chemical pumps.
- h. Opening or closing of utility supply valves or switching of electrical supply current.
- i. Cleaning of valves, strainers, screens, nozzles, or spray pipes.
- j. Performance of regular maintenance and cleaning as outlined in operator's guide.
- k. Damages resulting from water conditions, accidents, alterations, improper use, abuse, tampering, improper installation, low voltage conditions, inadequate wiring, outdoor use, or failure to follow maintenance and operation procedures.
- l. Wear on Pulper cutter blocks, pulse vanes, and auger brush.
- m. Damages due to improper storage.
- n. Special installations or applications, including remote locations, limited in coverage by this warranty. Any installation that requires extra work, and/or travel, to gain access to the unit for service is the sole responsibility of the equipment purchaser.

### Examples of the defects not covered by warranty include, but are not limited to:

1. Damage to the exterior or interior finish as a result of the above
2. Use with utility service other than that designated on the rating plate.
3. Improper connection to utility service.
4. Inadequate or excessive water pressure.
5. Corrosion from foreign materials, water supplies, improper chemicals, or chemicals dispensed in excess of recommended concentrations.
6. Failure of electrical components due to connection of chemical dispensing equipment installed by others.
7. Leaks or damage resulting from such leaks caused by water quality, or the installer, including machine table connections or connection of chemical dispensing equipment installed by others.
8. Failure to comply with all local building codes.
9. Damage caused by labor dispute.

**WARRANTY OF PARTS:** Moyer Diebel warrants all new machine parts produced or authorized by Moyer Diebel to be free from defects in material and workmanship for a period of 90 days from date of invoice. If any defect in material and workmanship is found to exist within the warranty period, Moyer Diebel will replace the defective part without charge.

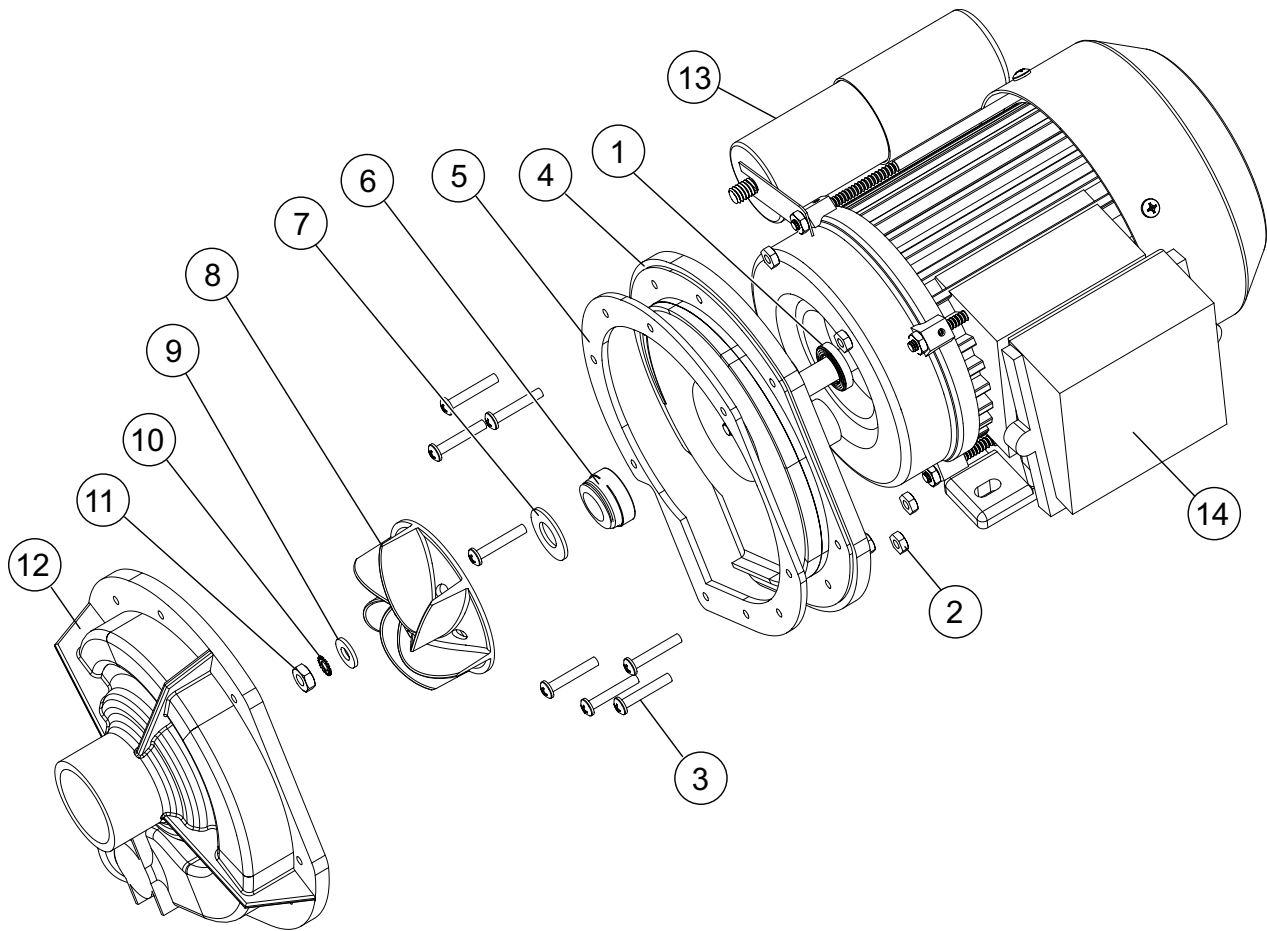
DISCLAIMER OF WARRANTIES AND LIMITATIONS OF LIABILITY. MOYER DIEBEL WARRANTY IS ONLY TO THE EXTENT REFLECTED ABOVE. MOYER DIEBEL MAKES NO OTHER WARRANTIES, EXPRESS OR IMPLIED, INCLUDING, BUT NOT LIMITED TO, ANY WARRANTY OF MERCHANTABILITY, OR FITNESS OF PURPOSE. MOYER DIEBEL SHALL NOT BE LIABLE FOR INCIDENTAL OR CONSEQUENTIAL DAMAGES. THE REMEDIES SET OUT ABOVE ARE THE EXCLUSIVE REMEDIES FOR ANY DEFECTS FOUND TO EXIST IN MOYER DIEBEL DISHWASHING MACHINES AND MOYER DIEBEL PARTS, AND ALL OTHER REMEDIES ARE EXCLUDED, INCLUDING ANY LIABILITY FOR INCIDENTALS OR CONSEQUENTIAL DAMAGES.

*Moyer Diebel does not authorize any other person, including persons dealing in Moyer Diebel dishwashing machines, to change this warranty or create any other obligation in connection with Moyer Diebel Limited dishwashing machines.*

# Service Replacement Parts

<b>ILLUSTRATION</b>	<b>PAGE</b>
Wash Pump/Motor .....	2
Booster .....	4
Fill Piping.....	6
Rinse Piping.....	8
Wash Manifold .....	10
Spray Arms .....	12
Panels .....	14
Tracks.....	16
Hood and Handle .....	18
Back Support and Guides .....	20
Control Panel.....	22
Chemical Dispensing Pumps.....	24
Wash Tank .....	26
Dish Racks .....	28

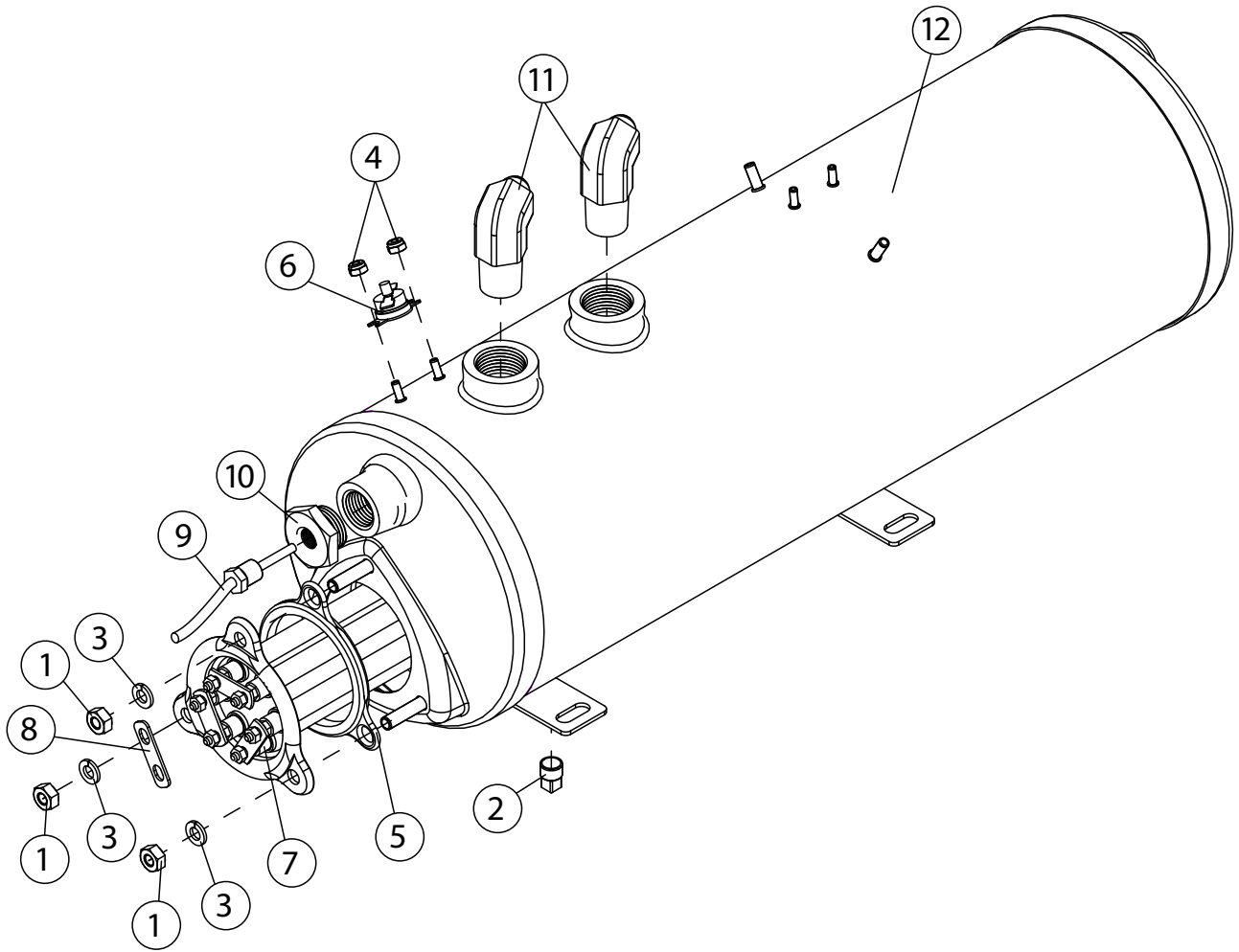
# Wash Pump/Motor



Item No.	Part No.	Description	Qty.
1	114134	SLINGER, WATER	1
2	107337	NUT, PLAIN M4	9
3	0512340	SCREW, M4 X 0.70 30 mm PHILIPPS PAN HEAD	9
4	114137	PLATE, BACKING, C/W CAPACITOR BRKT.	1
5	110285	GASKET, PUMP	1
6	114139	SEAL, PUMP	1
7	114140	WASHER	1
8	114141	IMPELLER	1
9	114142	WASHER	1
10	114143	WASHER, LOCK	1
11	114144	NUT, IMPELLER (LH THREADS)	1
12	114145	HOUSING, PUMP	1
13	112637	CAPACITOR 31.5 $\mu$ F	1
14	115143	1HP PUMP/2HP MOTOR ASSEMBLY COMPLETE 208-240VAC/60/1PH	A/R
---	115144	1HP PUMP/2 HP MOTOR ASSEMBLY COMPLETE 208-266/360-460VAC/60/3PH	A/R
--	115429	1HP PUMP/2HP MOTOR ASSEMBLY COMPLETE 230V/50/1PH (For 380-415V/50/3 machines)	A/R

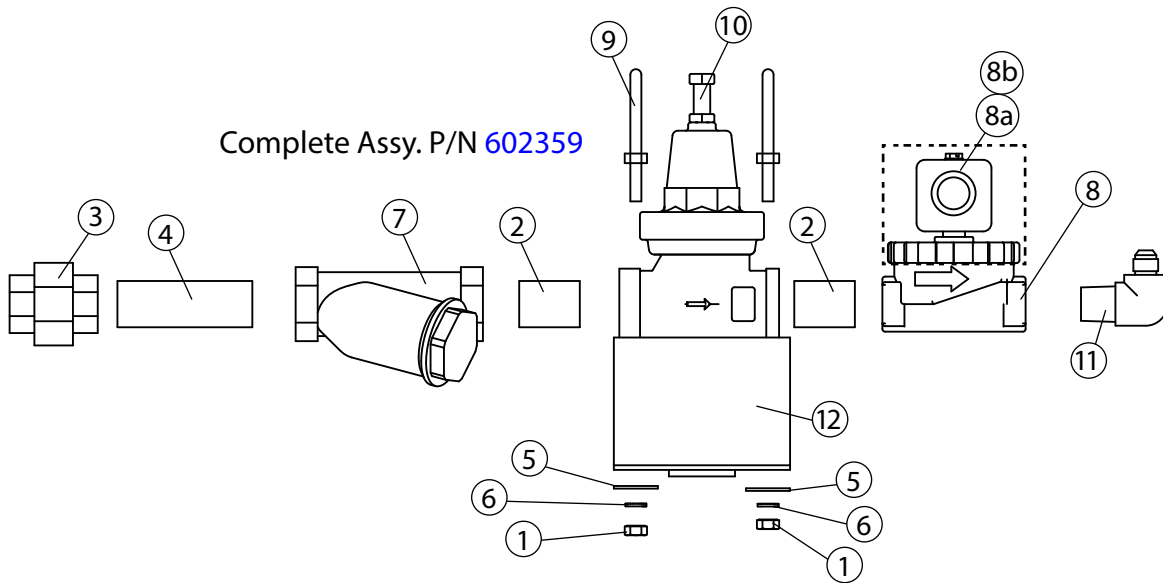
**THE MOTOR CANNOT BE ORDERED SEPARATELY.**

# Booster



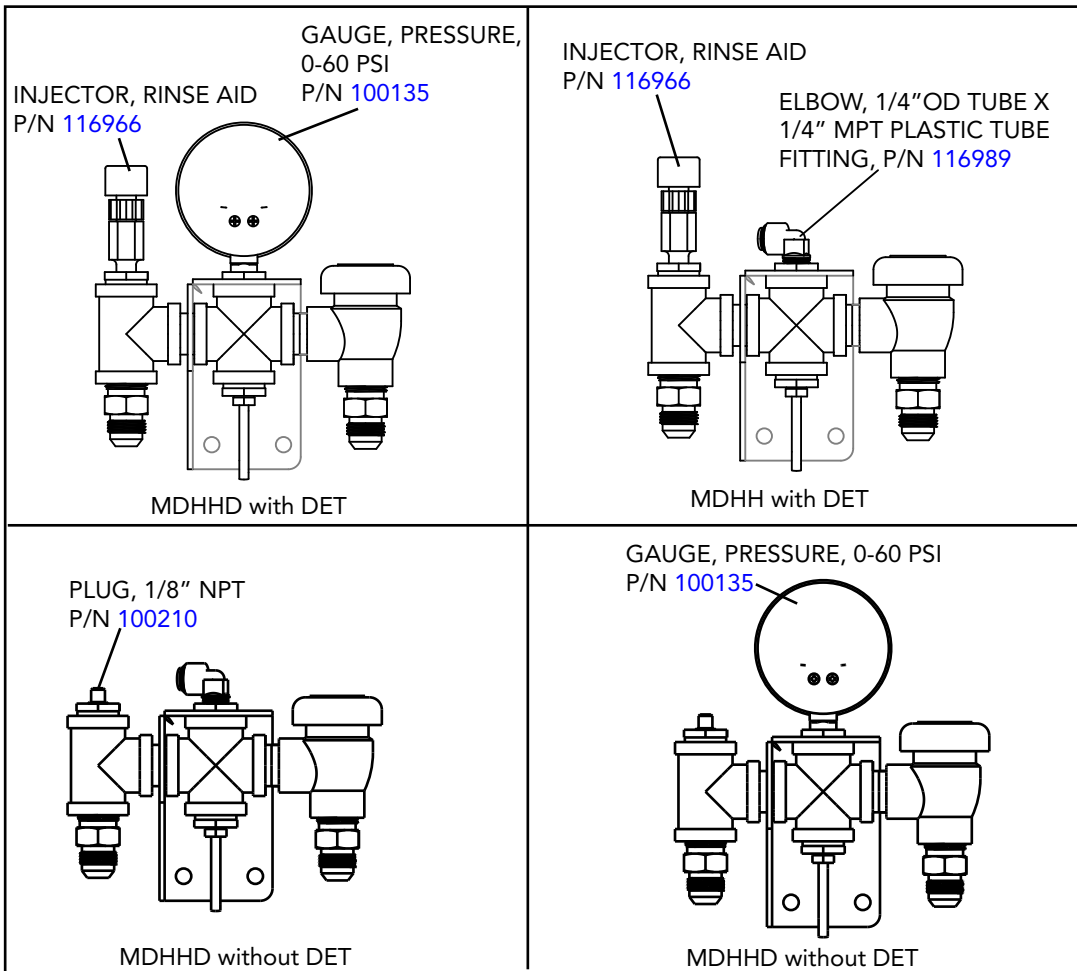
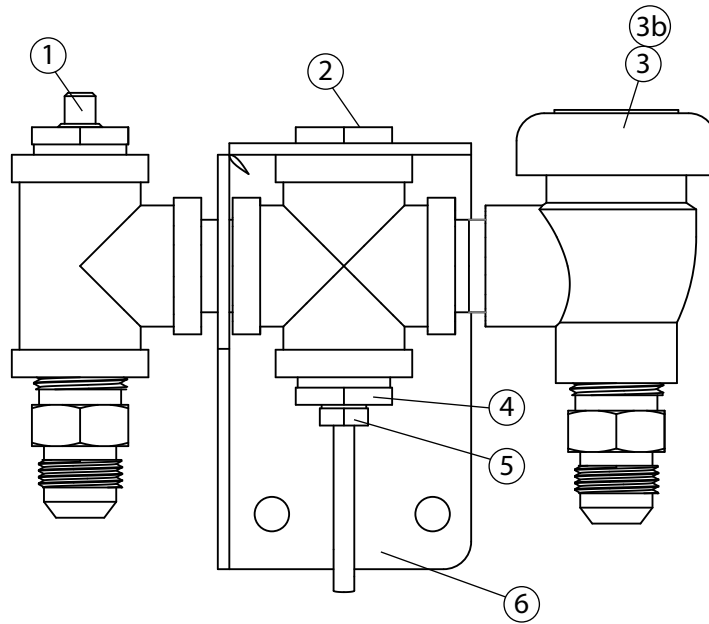
Item No.	Part No.	Description	Qty.
1	<a href="#">100003</a>	NUT, PLAIN, 1/4-20 SST	6
2	<a href="#">100210</a>	PLUG, 1/8" NPT SQ. HEAD, SST	1
3	<a href="#">106482</a>	WASHER, LOCK 1/4" SPLIT SST	6
4	<a href="#">108954</a>	NUT, GRIP, 6-32 W/NYLON INSERT SST	2
5	<a href="#">109985</a>	SEAL, ELECTRIC HEATER FLANGE	1
6	<a href="#">110562</a>	THERMOSTAT, FIXED, SNAP, 240°F	1
7	<a href="#">111233</a>	HEATER, 7.5KW, 208-240V/60/1PH & 3PH	1
--	<a href="#">108579</a>	HEATER, 9KW, 480V/60/3PH	1
8	<a href="#">111488</a>	JUMPER, STRIP HEATER (Same as 0508960)	1
9	<a href="#">114435</a>	THERMISTOR, 10kΩ, 36" LEAD	1
10	<a href="#">115530</a>	ADAPTER, THERMOMETER DIGITAL (Alt to <a href="#">0512299</a> )	1
11	<a href="#">117040</a>	ELBOW , MALE 3/4 NPT, X 5/8" 37° FLARE JIC BRASS	2
12	<a href="#">0509042</a>	BOOSTER TANK, WELDED ASSEMBLY	1

# Fill Piping



Item No.	Part No.	Description	Qty.
1	100003	NUT, HEX PLAIN, 1/4-20 SST	4
2	100184	NIPPLE, 3/4" NPT X CLOSE BRASS	2
3	100571	UNION, 3/4" NPT BRASS	1
4	102653	NIPPLE, 3/4" X 4" LG. BRASS	1
5	104925	WASHER, FLAT 1/4"	4
6	106482	WASHER, LOCK 1/4" SPLIT SST	4
7	110768	STRAINER, LINE 3/4" NPT BRONZE FEMALE	1
8	111437	VALVE, SOLENOID, 3/4" NPT HW	1
8a	114839	KIT, REPAIR, VALVE 3/4" HW	A/R
8b	111472	COIL, SOLENOID 3/4" 120VAC	A/R
9	115169	U-BOLT, 1/4-20 X 1-3/8" L THD X 1-1/2" OD	2
10	116945	VALVE, PRV 25-75 PSI 3/4" NPT	1
11	117040	ELBOW, MALE 3/4" NPT X 5/8" 37° FLARE JIC BRASS	1
12	334775	BRACKET, INLET PLUMBING SUPPORT	1

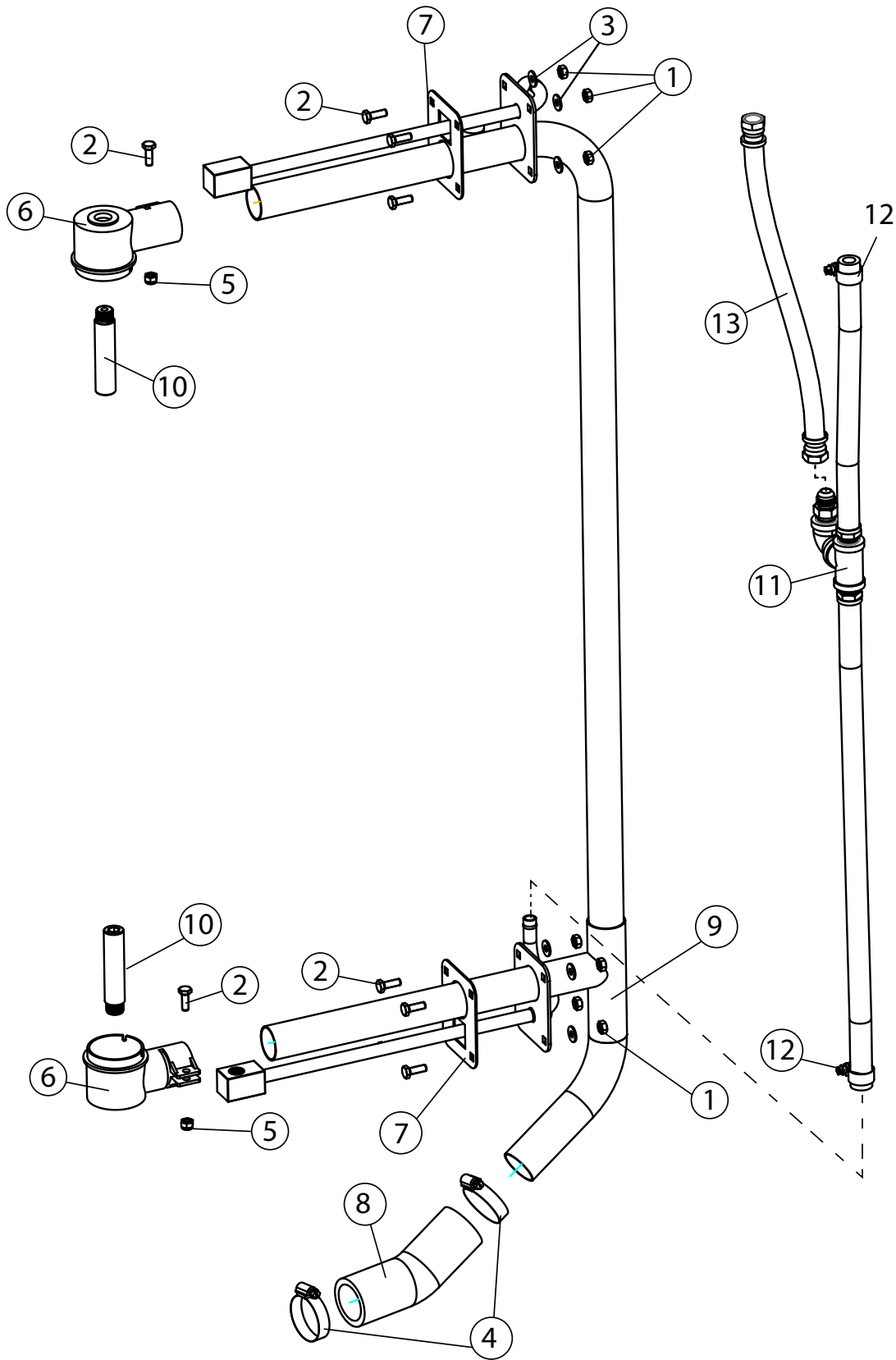
# Rinse Piping



## Rinse Piping

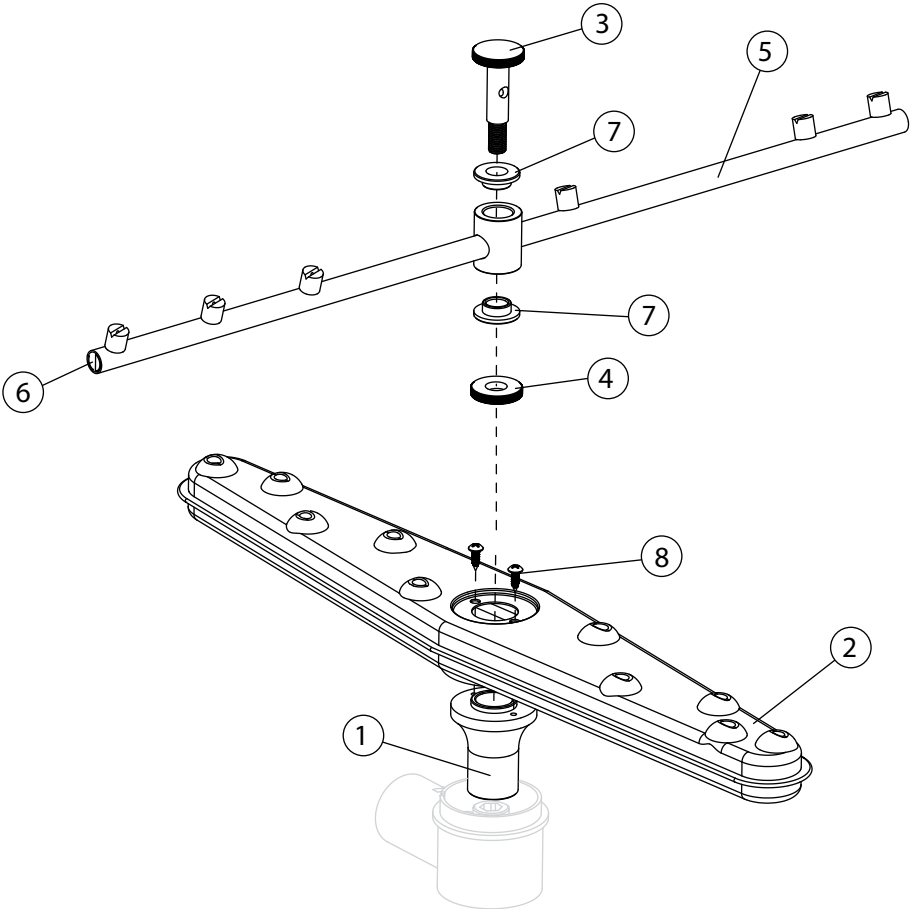
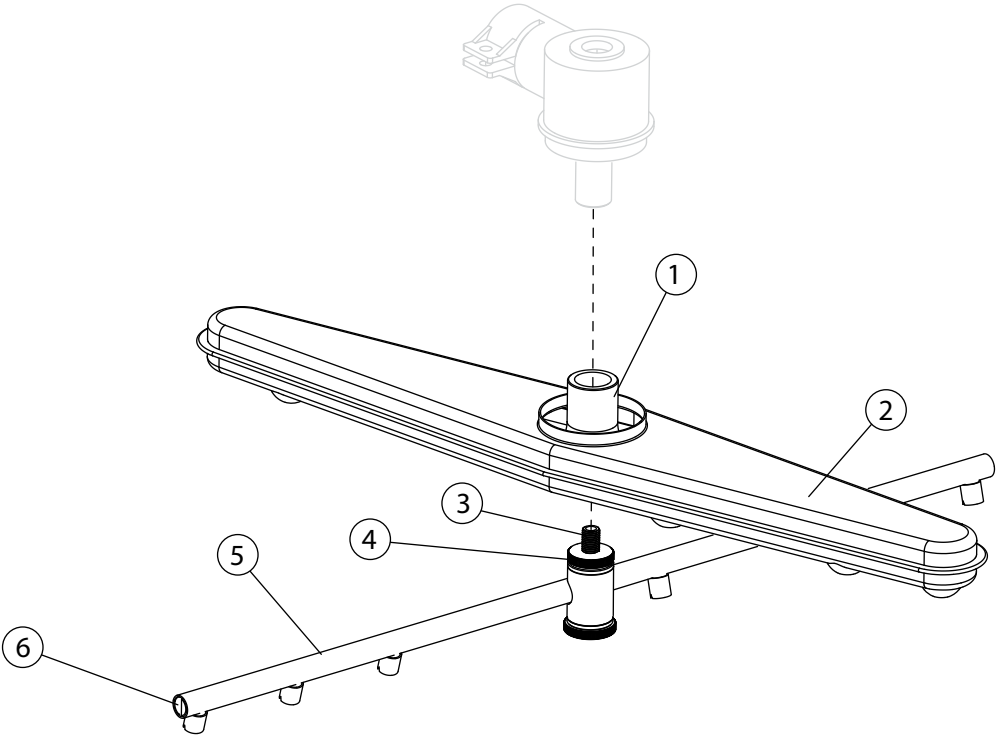
Item No.	Part No.	Description	Qty.
1	100210	PLUG, 1/8" SQ. HEAD SST	1
2	102388	BUSHING, REDUCING 1/2" NPT X 1/4" NPT BRASS	1
3	100500	BREAKER, VACUUM 1/2" BRONZE	1
3b	900836	KIT, REPAIR, VACUUM BREAKER	A/R
4	114717	BUSHING, REDUCING 1/2" NPT X 1/8" NPT SST	1
5	114435	THERMISTOR, 10k $\Omega$ , 36" LEAD	1
6	339057	BRACKET, RINSE PLUMBING	1

# Wash Manifold



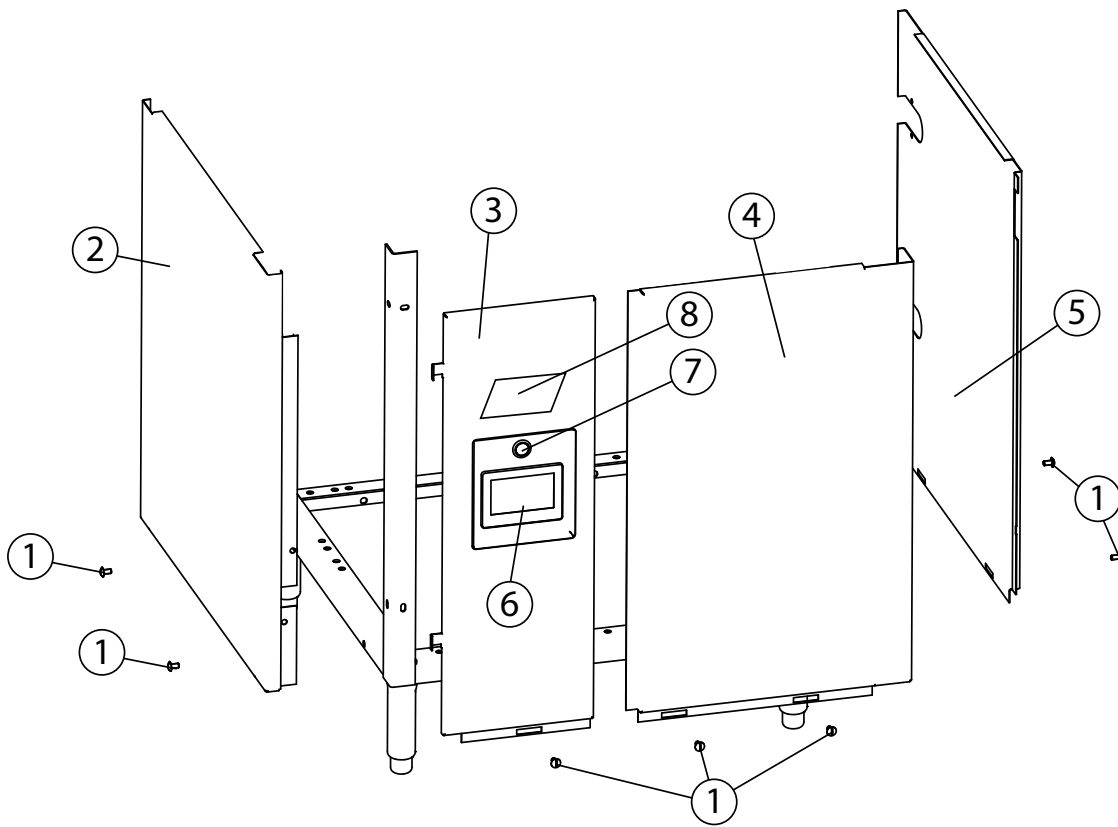
Item No.	Part No.	Description	Qty.
1	107967	NUT GRIP, 1/4-20 W NYLON INSERT SST	8
2	100214	SCREW, TRUSS HEAD, 1/4-20 X 3/4" SST	10
3	106026	WASHER, FLAT 1/4" SST	8
4	107340	CLAMP, HOSE M28 W/CS SCREW	2
5	107967	GRIP NUT, 1/4-20 SST W/NYLON INSERT	2
6	109864	SUPPORT, WASH ARM	2
7	116940	GASKET, STANDPIPE WASH	2
8	115159	HOSE, DISCHARGE, DH5000	1
9	338832	STANDPIPE, WELDMENT, DH6000T	1
10	0507445	SPINDLE, WASHARM	2
11	602093	PIPING ASSY., FINAL RINSE	1
12	105994	CLAMP, HOSE, 1/2"-1-18" W/CS SCREW	2
13	419974	HOSE ASSY. 1/2" ID X 14" LG	1

Spray Arms



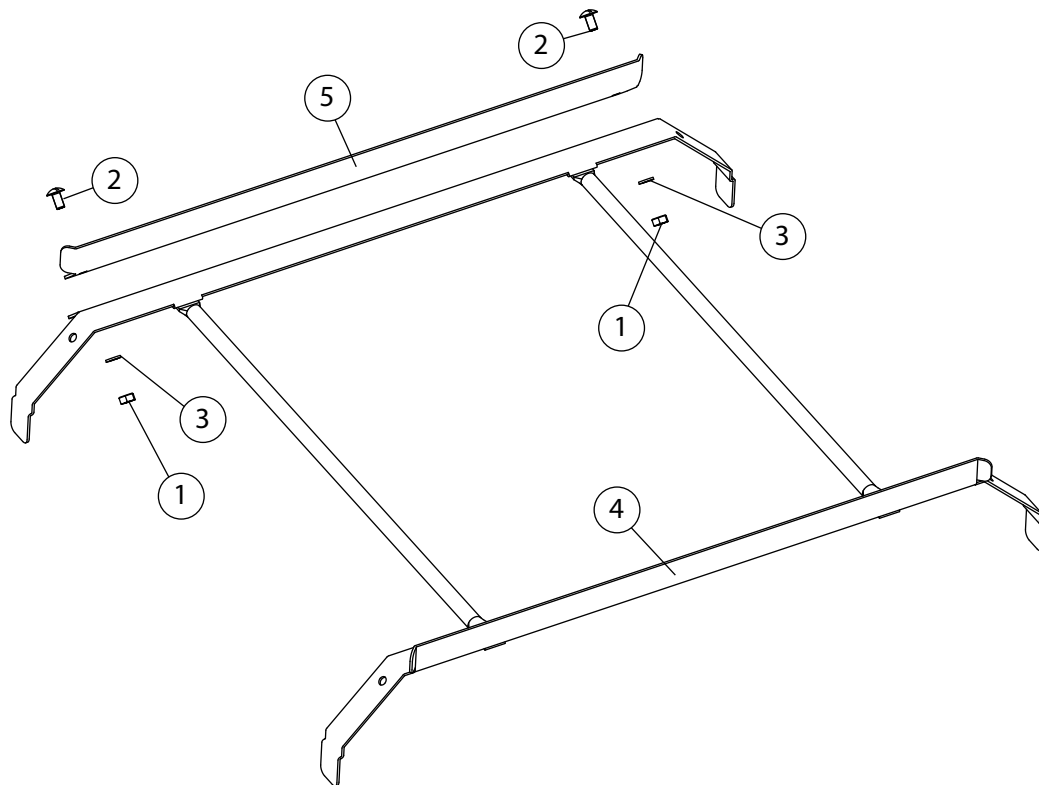
Item No.	Part No.	Description	Qty.
1	207096	WASHARM, BEARING	2
2	114858	WASHARM, WELDMENT	2
3	0507443	SPINDLE, RINSE ARM	2
4	114556	NUT, SPINDLE	2
5	115222	RINSE ARM, WELDMENT	2
6	114861	ENDCAP, HEADLESS, 7/16-20 SST	6
7	113514	BEARING, RINSE ARM	4
8	109835	SCREW, #8 X 1/2" SELF-TAPPING PAN HEAD, PHILLIPS	4
---	900975	RINSE ARM ASSEMBLY, COMPLETE (INCLUDES ITEMS 5-7)	2
---	900954	WASH ARM ASSEMBLY, COMPLETE (INCLUDES ITEMS 1,2 & 8)	2

# Panels



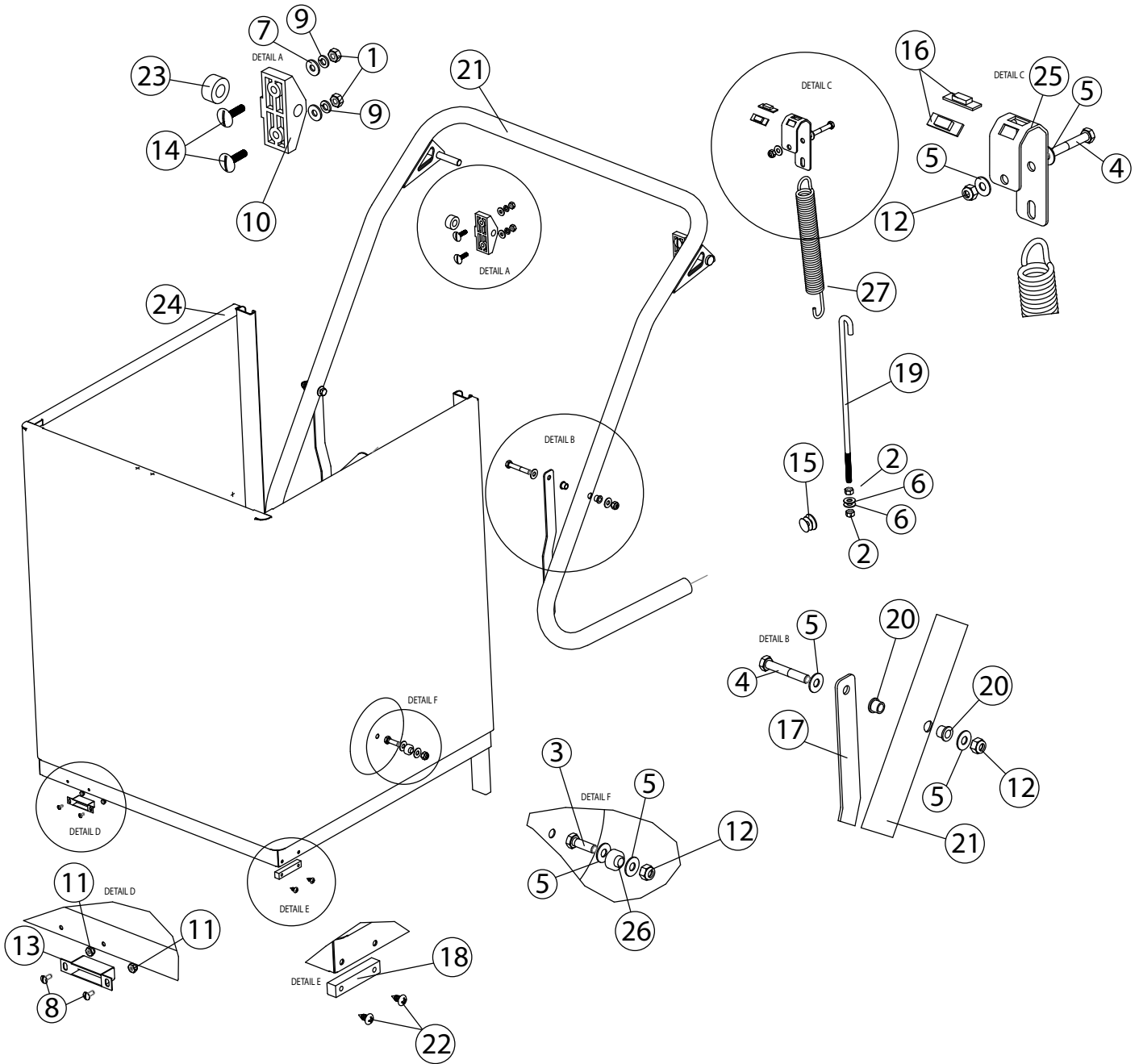
			Panels
Item No.	Part No.	Description	Qty.
1	<a href="#">100073</a>	SCREW, TRUSS HEAD 1/4-20 X 1/2" SST	7
2	<a href="#">339006</a>	PANEL, DH6K/T, LHS	1
3	339011	FRONT PANEL, SCHNEIDER HMI	1
4	339005	PANEL, DH6K/T FRONT RHS	1
5	<a href="#">339004</a>	PANEL, DH6K/T RHS	1
6	<a href="#">116889</a>	SCHNEIDER PRO FACE HMI (PFXGP4114T2D)	1
7	<a href="#">116852</a>	PUSHBUTTON, ON/OFF 22MM	1
8	115650	DECAL, MOYER DIEBEL	1

# Tracks



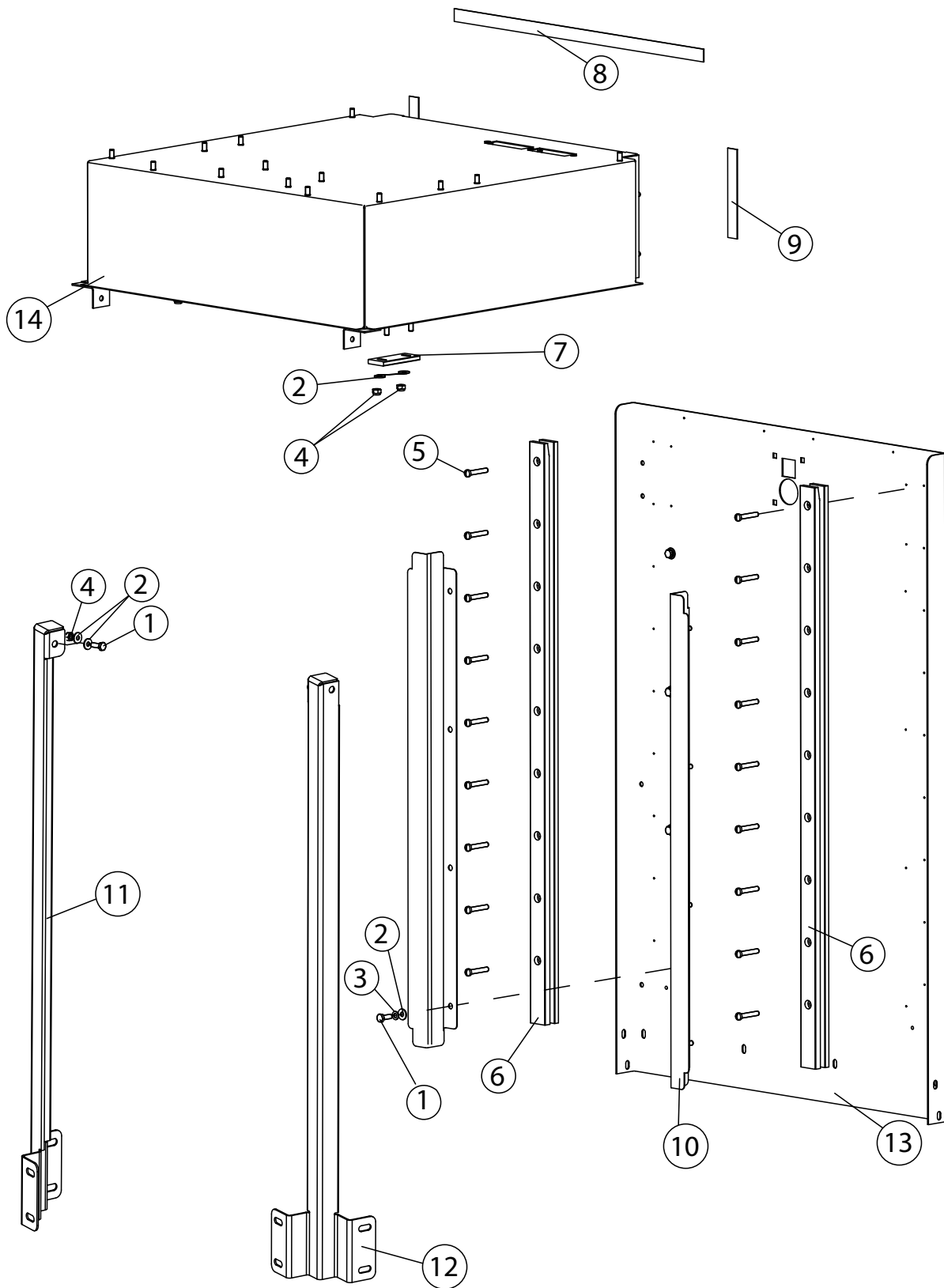
Item No.	Part No.	Description	Qty.
1	100003	HEX, PLAIN NUT 1/4-20	2
2	100073	SCREW, TRUSS HEAD 1/4-20 X 1/2" SST	2
3	106482	WASHER, LOCK 1/4" SPLIT SST	2
4	335780	TRACK WELDMENT	1
5	332023	TRACK, RAIL ADJUST	1

# Hood and Handle



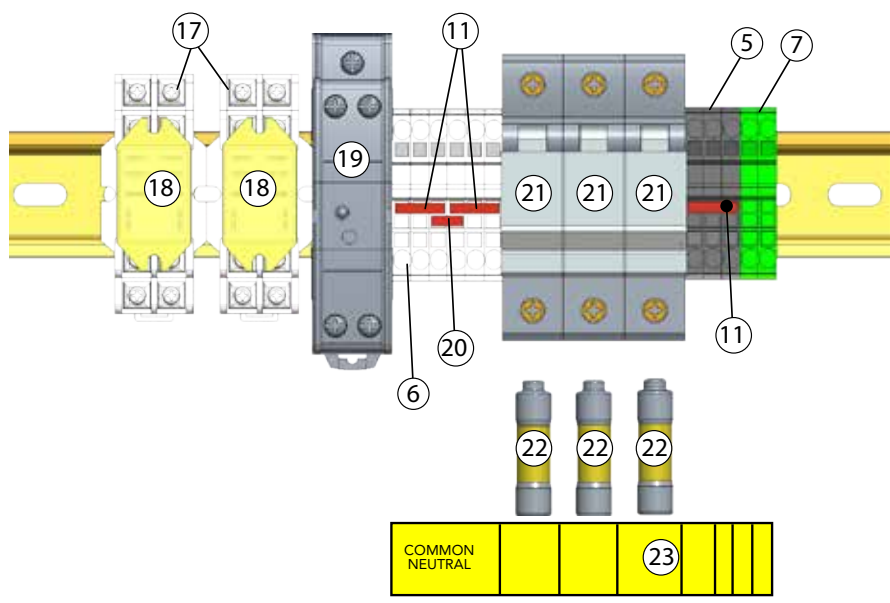
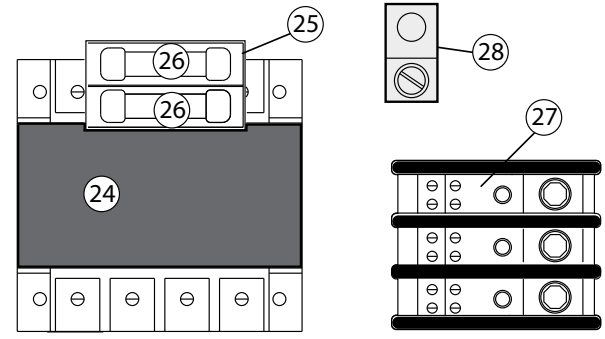
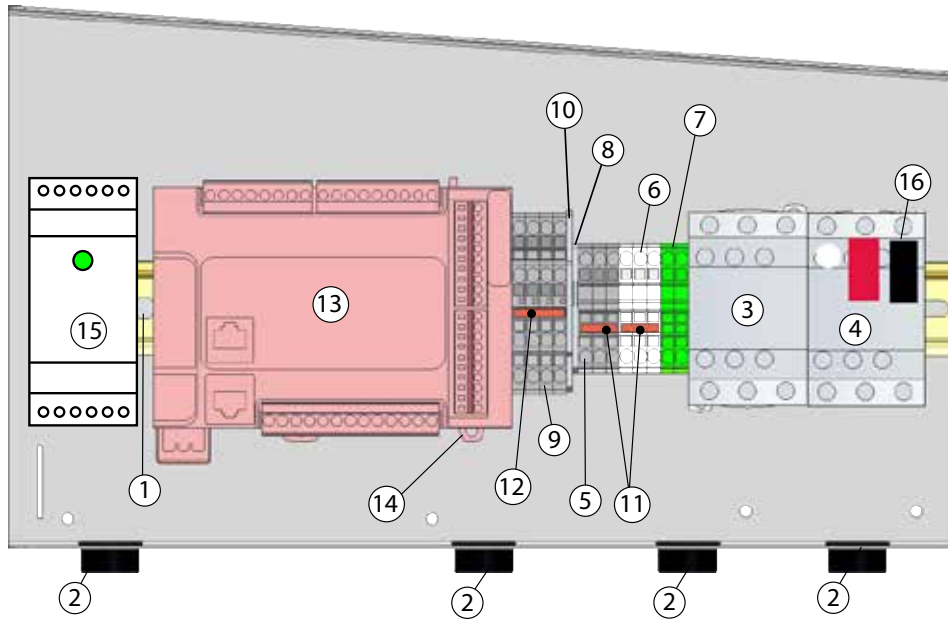
Item No.	Part No.	Description	Qty.
1	100003	HEX PLAIN NUT, 1/4-20 SST	4
2	100140	HEX PLAIN NUT, 3/8-16 SST	4
3	100740	BOLT, HEX HEAD, 5/16-18 X 1" SST	2
4	100742	BOLT, HEX HEAD, 5/16-18 X 2" SST	4
5	102376	WASHER, FLAT 5/16" SST	12
6	104618	WASHER, FLAT 3/8" SST	4
7	106026	WASHER, FLAT 1/4" SST	4
8	106382	SCREW, TRUSS HEAD 6-32 X 3/8" SST	2
9	106482	WASHER, LOCK 1/4" SPLIT SST	4
10	107399	SUPPORT, PIVOT BLOCK DOOR HANDLE	2
11	108954	HEX GRIP NUT, 6-32 SST W/NYLON INSERT	2
12	109009	HEX GRIP NUT, 5/16-18 SST W/NYLON INSERT	6
13	113937	MAGNET, ALEPH	1
14	115286	SCREW, 1/4-20 X 1" LG FLAT WIDE HEAD	1
15	115627	END CAP, LIFT HANDLE	2
16	115637	BUSHING, LIFT ARM	4
17	115641	LINK, HOOD ARM	2
18	115643	GUIDE, FRONT UHMW	2
19	116231	J-BOLT, 3/8-16 X 14" LG	2
20	116275	BEARING, FLANGED, SLEEVED BRONZE OIL EMBEDDED	4
21	116804	LIFT ARM, WELDMENT	1
22	116835	SCREW, 18-8 SST ROUND HEAD BLUNT THREADS, #10	4
23	116933	BUSHING, LIFT ARM	2
24	336125-M	HOOD, WELDMENT, MOYER DIEBEL	1
25	336434	BRACKET, SPRING	2
26	0509264	BUSHING, SIDE DOOR	2
27	0510459	SPRING, DOOR	2

# Back Support and Guides



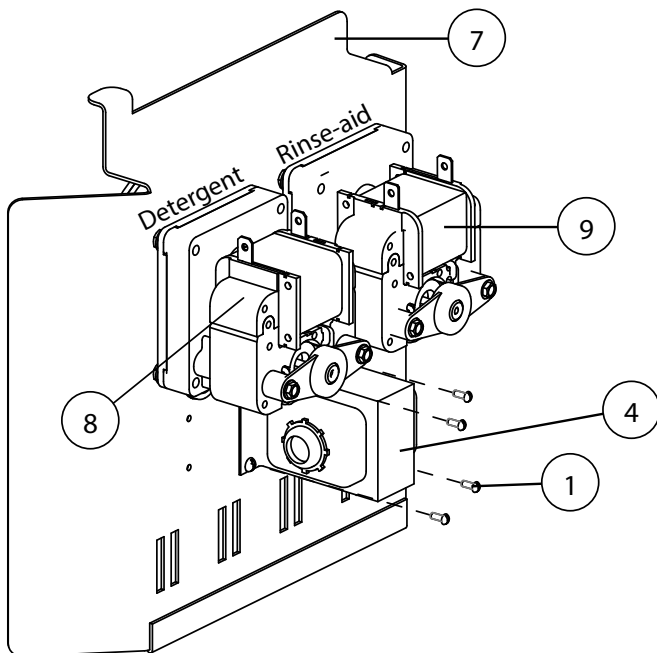
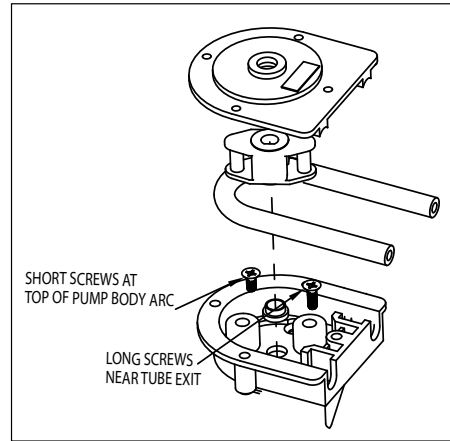
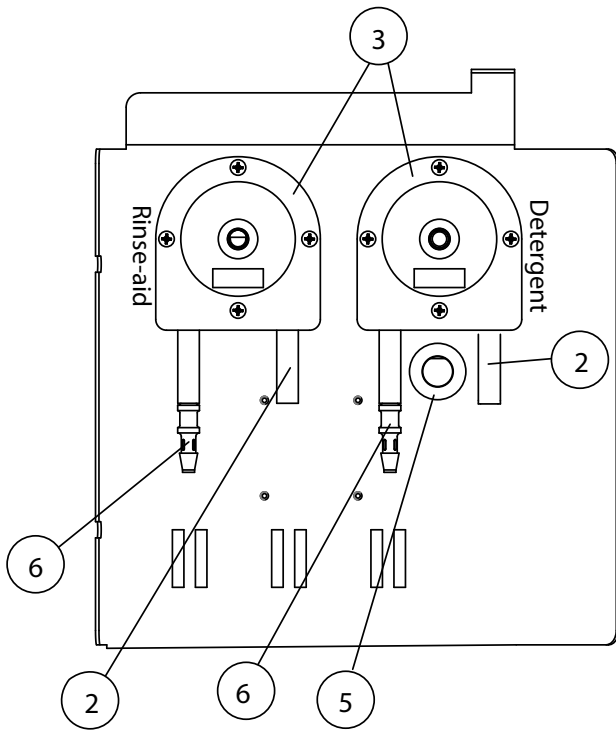
Item No.	Part No.	Description	Qty.
1	<a href="#">100736</a>	BOLT, HEX HEAD, 1/4-20 X 3/4" SST	18
2	<a href="#">106026</a>	WASHER, FLAT 1/4" SST	24
3	<a href="#">106482</a>	WASHER, LOCK 1/4" SPLIT, SST	16
4	<a href="#">107967</a>	HEX GRIP NUT, 1/4-20 SST W/NYLON INSERT	6
5	<a href="#">114866</a>	SCREW, FILLISTER HEAD, 1/4-20 X 1-1/2" SST	18
6	<a href="#">114886</a>	GUIDE, HOOD	2
7	<a href="#">116425</a>	HOOD, GUIDE STATIONARY	2
8	207315	GASKET, 20-1/4" LG X 3/4" WD PORON 1/8" THK	1
9	207316	GASKET, 5-1/4" LG X 3/4" WD PORON 1/8" THK	2
10	<a href="#">334621</a>	BAFFLE, DEFLECTOR HOOD	2
11	<a href="#">336966</a>	UPRIGHT SUPPORT, LH	1
12	<a href="#">336967</a>	UPRIGHT SUPPORT, RH	1
13	338486	BACK SUPPORT, WELDMENT	1
14	<a href="#">339278</a>	TOP, HOOD	1

# Control Panel



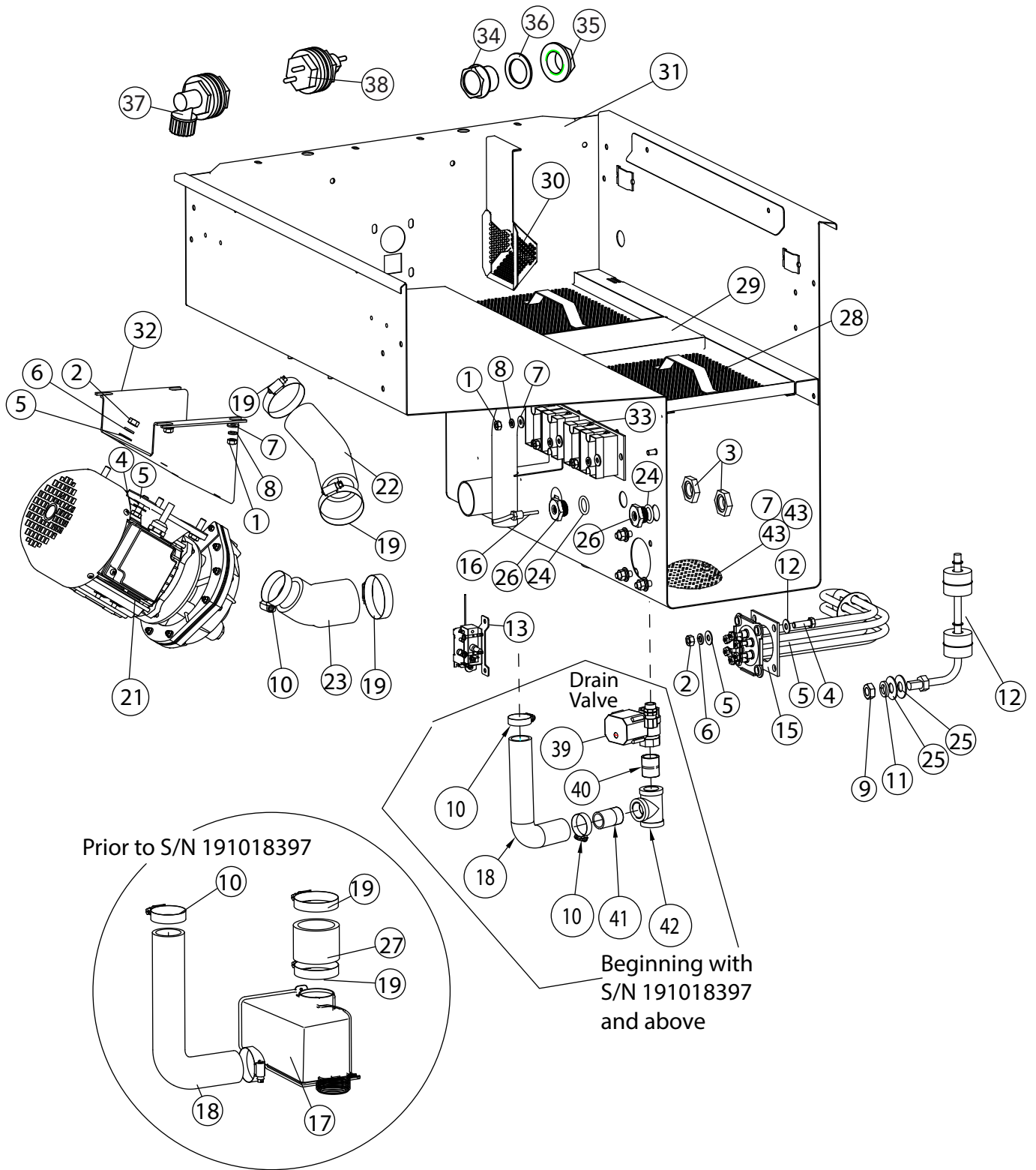
Item No.	Part No.	Description	Qty.
1	107136	BOLT, HEX HEAD 10-32 X 3/8" SST	4
2	107964	BUSH, SNAP #2126 0.875" X 0.687"	4
3	108122	CONTACTOR, 3 POLE	1
4	113161	MOTOR STARTER, 9.0-14.0A	A/R
-	111627	MOTOR STARTER, 2.5-4.0A	A/R
5	114512	TERMINAL SINGLE, ST 2.5, GRAY	6
6	114514	TERMINAL SINGLE, ST 2.5, WHITE	9
7	114515	TERMINAL SINGLE, GROUND, GREEN ST 2.5 PE	4
8	114516	END COVER, SIGNAL TERMINAL D-ST 2.5	1
9	114517	TERMINAL DOUBLE, STTB 2.5	4
10	114518	END COVER, DOUBLE TERMINAL D-STTB 2.5	1
11	114524	BRIDGE, 3POLE FBS 3-5	5
12	114823	BRIDGE, 4POLE FBS 4-5	1
13	116888	SCHNEIDER PLC, TM21CE24R	1
14	116891	SCHNEIDER THERMISTOR MODULE, TM3T18	1
15	116892	DETERGENT SIGNAL CONDITIONER	1
16	338853	CABINET, INNER CONTROL PANEL	1
17	111036	SOCKET, RELAY	2
18	111068	RELAY, 2PDT, 10A 120VAC	2
19	115607	POWER SUPPLY, SLIM 24VDC, 30W, PSSR-SC24	1
20	114523	BRIDGE, 2POLE FBS 2.5	1
21	111153	FUSE BLOCK, DIN RAIL 600V 30A	3
22	112484	FUSE,LPCC-1.5 A TIME DELAY	3
23	116133	LABEL, SIGNAL 1.5 A	1
24	109064	XFRMR, INPUT 250VA, MV:120V	1
25	112424	BLOCK, FUSE KIT	1
26	112482	FUSE, LPCC-3.5 A 600V	2
27	111833	BLOCK, INPUT TERMINAL. 175A, 3-POLE, 600V	A/R
28	103310	LUG, GROUND WIRE	1

# Chemical Dispensing Pumps



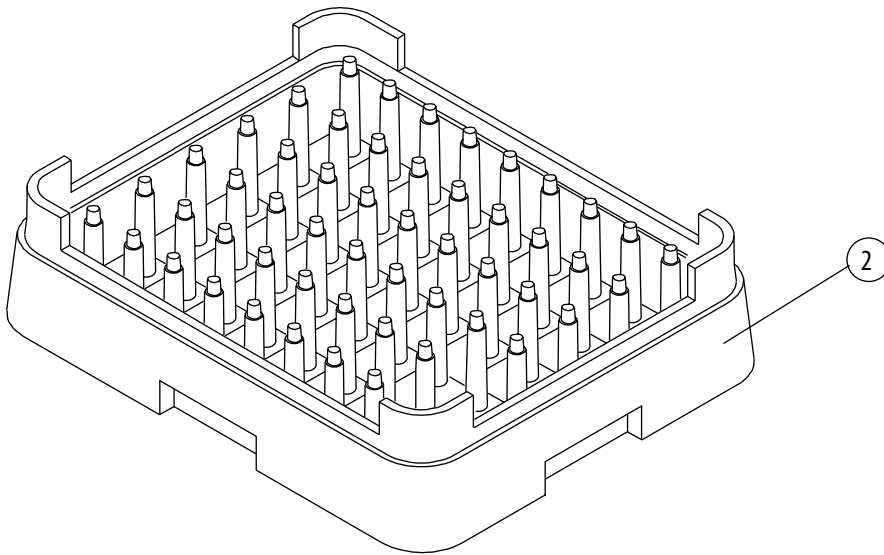
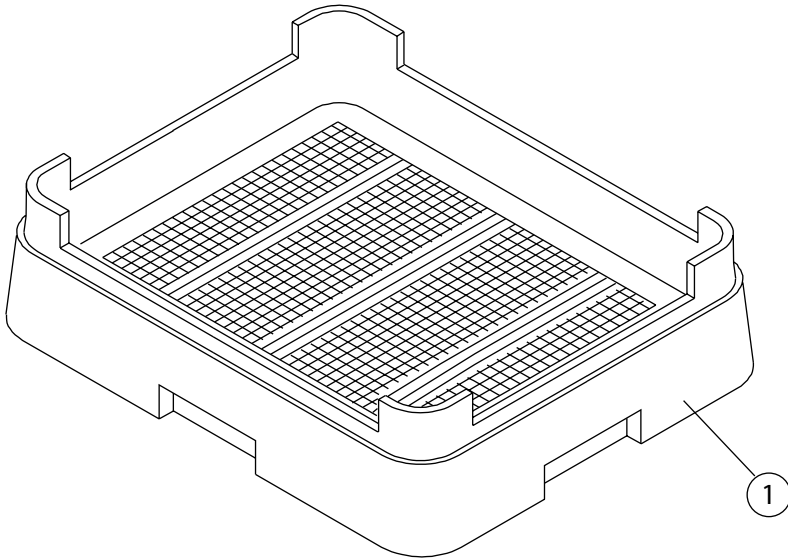
Item No.	Part No.	Description	Qty.
1	104883	SCREW, ROUND HEAD 6-32 X 3/8" SST	4
2	114202	TUBE, SANTOPRENE, TPE6ON 3/16" X 3/8" X 9" LG.	2
3	114203	HEAD, PUMP PERISTALTIC ASSY. KIT, WITH ROLLERS	2
4	114898	TRANSFORMER, 120/24VAC, 50/60 HZ, 20VA	1
5	116688	BUSHING, SNAP-IN SMOOTH BORE 1/2" DIA.	1
6	116979	HOSE BARB, 1/4" TO 1/4" POLYETHYLENE	2
7	339065	BRACKET, TWIN DETERGENT PUMP MOUNT	1
8	0510870-1	GEARMOTOR, 108 RPM, 115VAC DETERGENT 220 ML/MIN	1
9	0510872-1	GEARMOTOR, 14 RPM, 115VAC, RINSE-AID 10 ML/MIN	1

# Wash Tank



Item No.	Part No.	Description	Qty.
1	100003	NUT, PLAIN 1/4-20 SST	7
2	100154	NUT, PLAIN 5/16" SST	8
3	100547	LOCKNUT, 1/2" NPT SST FORGED	2
4	100740	BOLT, HEX HEAD 5/16-18 X 1" SST	8
5	102376	WASHER, FLAT 5/16" SST	16
6	106013	WASHER, LOCK 5/16" SPLIT SST	8
7	106026	WASHER, FLAT 1/4" SST	7
8	106482	WASHER, LOCK 1/4" SPLIT SST	7
9	107089	NUT, JAM 1/2-13 SST	1
10	107340	CLAMP, HOSE M28 W/CS SCREW	3
11	107589	WASHER, LOCK 1/2" SPLIT SST	1
12	108345	GASKET, HEATER, 3" X 3" X 1/8" - 2-HOLE	1
13	110561	THERMOSTAT, FIXED HIGH LIMIT 240°F 1/2"NPT	1
14	113291	FLOAT SWITCH	1
15	114178	HEATER, 5.2KW 208-240/1-3 90° TANK	1
15a	114179	HEATER, 5.2KW, 480V/60/3 90° TANK	1
16	114435	THERMISTOR, 10KΩ, 36" LEAD	1
17	114471	VALVE, ELECTRIC DRAIN, NC, 115VAC, W/COVER	1
18	114472	HOSE, OVERFLOW, 90°	1
19	114720	CLAMP, HOSE M36 W/CS SCREW	5
20	116940	GASKET, STANDPIPE	1
21	115143	1HP PUMP/2HP MOTOR ASSY (SEE PAGE 3 FOR OTHERS)	1
22	115159	HOSE, PUMP DISCHARGE	1
23	115425	HOSE, PUMP SUCTION	1
24	115489	O-RING	2
25	115490	WASHER, FLAT	2
26	115530	ADAPTER, THERMOMETER DIGITAL	2
27	205990	HOSE 2" ID X 1-7/8" LG	1
28	305164	SCREEN, WELDMENT, 10-3/8"	2
29	332544	SUPPORT, FILLER SCREEN	1
30	333021	SCREEN, SUCTION	1
31	339534	TANK, WELDMENT	1
32	338901	BRACKET, PUMP MOUTING	1
33	115648	RELAY, SOLID STATE 90A	4
34	108418	PLUG, 1/2" NPT PLASTIC	1
35	108417	NUT, 1/2" NPT PLASTIC	1
36	109034	GASKET, 1/2" PLUG, FIBER WASHER	1
37	116780	FITTING, KNIGHT DETERGENT INJECTOR	1
38	116785	PROBE, CHEMICAL P120S, KNIGHT #7005190	1
39	117014	VALVE BALL, 1" NPT 110-230V ELECTRIC NC	1
40	100964	NIPPLE, CLOSE 1" NPT SST	1
41	116431	NIPPLE TOE, 1" X 2" SST	1
42	102530	TEE, 1" NPT SST	1
43	304816	SCREEN, DRAIN 6" DIA.	1
44	107967	GRIP NUT, 1/4-20 SST W/NYLON INSERT	1

# Dish Racks



**Dish Racks**

<b>Item No.</b>	<b>Part No.</b>	<b>Description</b>	<b>Qty.</b>
1	101273	DISH RACK, FLAT-BOTTOM	A/R
2	101285	DISH RACK, PEG	A/R
-	114356	RACK, SHEET PAN (Not Shown)	A/R