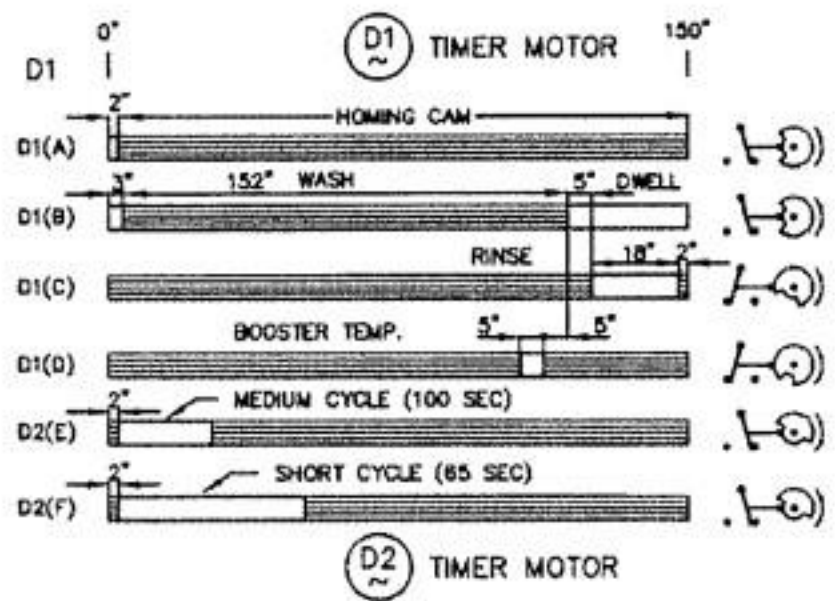
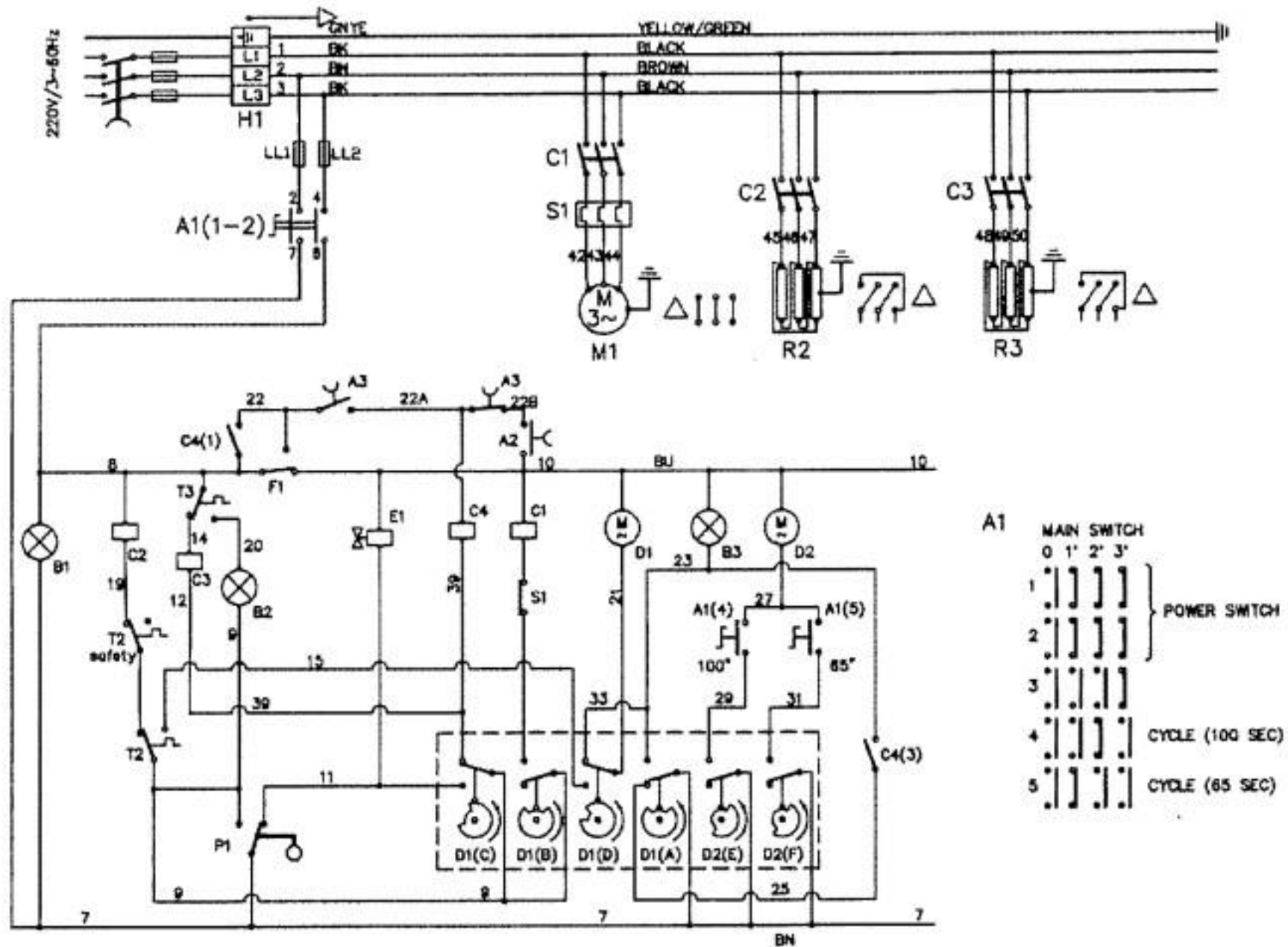


State of diagram:
 - end of cycle
 - power off
 - wash tank empty
 - selector set to manual start

SYMBOL	DESCRIPTION
A1	MAIN SWITCH INTERRUPTEUR PRINCIPAL
A2	START SWITCH BOUTON DE DEMARRAGE
A3	AUTOMATIC/MANUAL SWITCH SELECTEUR AUTOMATIQUE/MANUEL
B1	INDICATOR LAMP - POWER ON LAMPE TEMOIN SOUS TENSION
B2	INDICATOR LAMP - MACHINE READY LAMPE TEMOIN MACHINE PRETE
B3	INDICATOR LAMP - IN CYCLE LAMPE TEMOIN CYCLE EN COURS
C1	PUMP CONTACTOR CONTACTEUR POMPE
C2	BOOSTER HEATER CONTACTOR CONTACTEUR RESISTANCE SURCHAUFFEUR
C3	TANK HEATER CONTACTOR CONTACTEUR RESISTANCE CUVE
C4	RELAY RELAIS
D1	TIMER MOTOR MOTEUR MINUTEUSE
D2	TIMER MOTOR MOTEUR MINUTEUSE
E1	SOLENOID VALVE ELECTROVANNE
F1	DOOR MICROSWITCH MICRO INTERRUPTEUR PORTE
G1	CAPACITOR CONDENSEUR
H1	JUNCTION DOMINO
LL1	FUSES FUSELES
LL2	FUSES FUSELES
M1	PUMP POMPE
P1	PRESSURE SWITCH PRESSOSTAT
R2	BOOSTER HEATER RESISTANCE SURCHAUFFEUR
R3	TANK HEATER RESISTANCE ELEMENT CHAUFFANT CUVE
S1	WASH PUMP OVERLOAD RELAY THERMIQUE POUR POMPE DE LAVAGE
S2	EXTENDED WASH SWITCH INTERRUPTEUR DE LAVAGE PROLONGE
T2	BOOSTER THERMOSTAT THERMOSTAT SURCHAUFFEUR
T2 safety	BOOSTER SAFETY THERMOSTAT THERMOSTAT SECURITE SURCHAUFFEUR
T3	TANK THERMOSTAT THERMOSTAT CUVE

Date 06/28/99 Schematic: MH65 1PH.
 By O.Pastori
 Note Ref ELC00016

**MOYER
DIEBEL**
 DWG. NO.
 0509789



State of diagram:
 - end of cycle
 - power off
 - wash tank empty
 - selector set to manual start

SYMBOL	DESCRIPTION
A1	MAIN SWITCH INTERRUPTEUR PRINCIPAL
A2	START SWITCH BOULON DE DEMARRAGE
A3	AUTOMATIC/MANUAL SWITCH SELECTEUR AUTOMATIQUE/MANUEL
B1	INDICATOR LAMP - POWER ON LAMPE TEMON SOUS TENSION
B2	INDICATOR LAMP - MACHINE READY LAMPE TEMON MACHINE PRETE
B3	INDICATOR LAMP - IN CYCLE LAMPE TEMON CYCLE EN COURS
C1	PUMP CONTACTOR CONTACTEUR POMPE
C2	BOOSTER HEATER CONTACTOR CONTACTEUR RESISTANCE SURCHAUFFEUR
C3	TANK HEATER CONTACTOR CONTACTEUR RESISTANCE CUVE
C4	RELAY RELAIS
D1	TIMER MOTOR MOTEUR MINUTIERE
D2	TIMER MOTOR MOTEUR MINUTIERE
E1	SOLENOID VALVE ELECTROVANNE
F1	DOOR MICROSWITCH MICRO INTERRUPTEUR PORTE
G1	CAPACITOR CONDENSEUR
H1	JUNCTION DOMMO
LL1 LL2	FUSES FUSIBLES
M1	PUMP POMPE
P1	PRESSURE SWITCH PRESSOSTAT
R2	BOOSTER HEATER RESISTANCE SURCHAUFFEUR
R3	TANK HEATER RESISTANCE ELEMENT CHAUFFANT CUVE
S1	WASH PUMP OVERLOAD RELAY THERMOQUE POUR POMPE DE LAVAGE
T2 safety	BOOSTER THERMOSTAT THERMOSTAT SURCHAUFFEUR
T2 safety	BOOSTER SAFETY THERMOSTAT THERMOSTAT SECURITE SURCHAUFFEUR
T3	TANK THERMOSTAT THERMOSTAT CUVE

Date 26/01/99 Schematic: MH65 3PH
 By O.Pastori
 Note Ref ELC00015

