



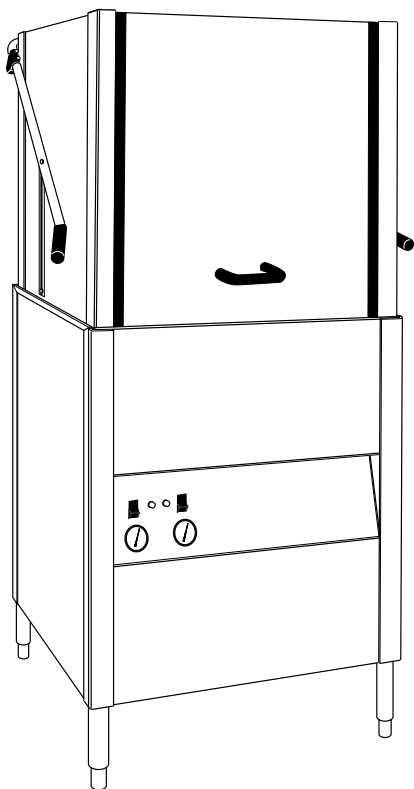
*Simply Engineered Better*

---

*For machines beginning with  
serial no. D3694 and above*

---

## Technical Manual



### Door-Type Dishwasher

#### Model

**MH-60M5**  
High Temperature  
with Built-in Booster

**MH-6NM5**  
High Temperature

**MH-6LM5**  
Low Temperature

### Machine Serial No.

**March, 2004**

**Manual P/N 113494 Rev E**

P. O. Box 4183  
Winston-Salem, North Carolina 27115-4183  
336/661-1992 Fax: 336/661-1660

2674 N. Service Road  
Jordan Station, Ontario, Canada L0R 1S0  
905/562-4195 Fax: 905/562-4618

**Moyer Diebel**

---

Complete the information below so it will be available for quick reference.

Model Number \_\_\_\_\_ Serial Number \_\_\_\_\_

Voltage and Phase \_\_\_\_\_

Moyer Diebel Parts Distributor \_\_\_\_\_ Phone \_\_\_\_\_  
(if applicable)

\_\_\_\_\_

Moyer Diebel Service Agency \_\_\_\_\_ Phone \_\_\_\_\_

\_\_\_\_\_

Moyer Diebel Service:

**Moyer Diebel, US**

Phone: 1(336) 661-1992

1(800) 228-8350

Fax: 1(336) 661-1660

**Moyer Diebel, Limited**

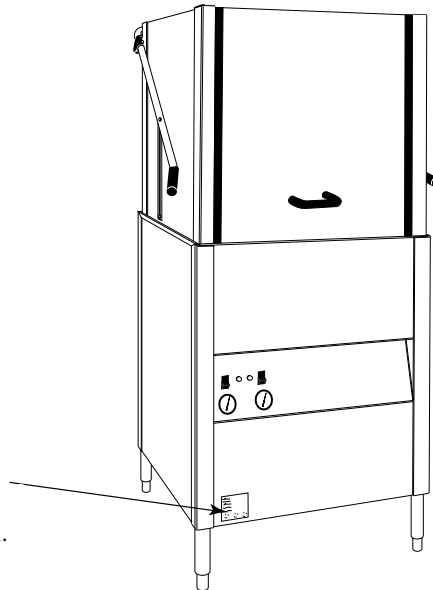
Phone: 1(905) 562-4195

1(800) 263-5798

Fax: 1(905) 562-4618

**Note:** When calling to order parts, be sure to have the model number, serial number, voltage and phase of your machine, along with your customer account number.

Machine Data Plate with  
Model & Serial Number  
located on the front panel.



COPYRIGHT © 2004 by Moyer Diebel

---

## Revision History

Revision Date	Revised Pages	Serial Number Effectivity	Comments
07/01/02	All	D3694	Issue of New Service Manual and replacement parts list
10/18/02	3	D3858	Revised rated amps listing
10/18/02	13, 17, 24	D3858	Revised cycle times
10/18/02	42,43	D3858	Revised rinse arm bearings and assemblies numbers. Bearing <a href="#">112164</a> replaced by <a href="#">113514</a> , <a href="#">0707453</a> & <a href="#">0708899</a> replaced by <a href="#">414111</a> .
10/18/02	37	D3858	Inserted new rinse arm assemblies <a href="#">414110</a> (MH-60 & MH-6N) and <a href="#">414111</a> (MH-6L)
10/18/02	53, 56	D3700	Inserted new bushing P/N <a href="#">100171</a>
10/24/02	63	D3858	Inserted new timer board for MH-60 and MH-6N P/N <a href="#">113547</a>
12/18/02	63	D3858	Inserted new timer control board kit. P/N <a href="#">900911</a> to convert all timer boards to <a href="#">113597</a> .
2/5/03	47, 61	—	Replace <a href="#">108391</a> with <a href="#">113622</a> thermometer.
2/5/03	63	—	Replaced Furnace (Siemens) overloads with Telemecanique (Square D) overloads.
7/22/03	49	D3982	Replaced <a href="#">110562</a> with <a href="#">113604</a> .
7/22/03	53,57	—	Revised plastic style vacuum breakers with bronze style.
7/22/03	61	—	Replaced P/N <a href="#">112086</a> with <a href="#">113622</a> .
2/3/04	50-51	D4237	Insert new drawing and add separate pressure reducing valve <a href="#">107550</a> and line strainer <a href="#">110768</a> .
2/3/04	33	—	Corrected side door part number 325409 to <a href="#">325405</a> .

## CONTENTS

LIMITED WARRANTY .....	v
INTRODUCTION .....	1
Model Number .....	6
Standard Equipment .....	6
Options .....	6
Electrical Power Requirements .....	7
INSTALLATION .....	8
Unpack the Dishwasher .....	8
To Change from Straight-through Operation to Corner Operation .....	9
Electrical Connections .....	10
Plumbing Connections .....	12
Water Connections .....	12
Drain Connections .....	13
Chemical Connections .....	14
INITIAL START-UP .....	16
OPERATION SUMMARY .....	22
CLEANING .....	23
Cleaning Schedule .....	23
Deliming Process .....	24
TROUBLESHOOTING .....	25
BASIC SERVICE .....	27
REPLACEMENT PARTS .....	33
ELECTRICAL SCHEMATICS .....	67

## LIST OF FIGURES

Figure 1 – Remove Front Panel .....	8
Figure 2 – Electrical Connection Location .....	10
Figure 3 – Hinged Control Panel .....	11
Figure 4 – Main Terminal Block .....	11
Figure 5 – Hot Water Connection (MH-60 Only) .....	12
Figure 6 – Hot Water Connection (MH-6N, MH-6L Only) .....	12
Figure 7 – Drain Hose Connection .....	13
Figure 8 – Chemical Dispenser Signal Terminal Block .....	14
Figure 9 – Chemical Signal Connection Points .....	14
Figure 10 – Detergent Probe Injection Points, 1/2" .....	15

**LIST OF FIGURES (cont.)**

Figure 11 – Rinse Aid and Sanitizer Injection Points ..... 15

Figure 12 – Fuses ..... 28

Figure 13 – Motor Overload ..... 28

Figure 14 – Solid State Control Board ..... 29

Figure 15 – Float Switch ..... 29

Figure 16 – float Switch Troubleshooting Chart ..... 29

Figure 17 – Heater Element Wiring ..... 30

Figure 18 – Pump Motor Wiring Diagrams ..... 31

Figure 19 – Pump Seal Replacement ..... 32

Figure 20 – Doors and Panels ..... 34

Figure 21 – Door Guides, Stops and Lift Bracket ..... 36

Figure 22 – Door Handle, Spring Assembly and Safety Switch ..... 38

Figure 23A– Straight Track Assembly ..... 40

Figure 23B– Corner Track Assembly ..... 40

Figure 24 – Wash/Rinse Spray Piping ..... 42

Figure 25 – Wash/Rinse Spray Arms ..... 44

Figure 26 – Drain Assembly and Scrap Screens ..... 46

Figure 27 – Wash Tank Heat and Thermostats ..... 48

Figure 28 – Electric Booster and Thermostats (MH-60 Only) ..... 50

Figure 29 – Lower Fill Piping Assembly (MH-60 Only) ..... 52

Figure 30 – Upper Fill Piping Assembly (MH-60/6N Only) ..... 54

Figure 31 – Lower Fill Piping Assembly (MH-6N/6L Only) ..... 56

Figure 32 – Upper Fill Piping Assembly (MH-6L Only) ..... 58

Figure 33 – Pump Assembly ..... 60

Figure 34 – Control Panel and Gauges ..... 62

Figure 35 – Control Cabinet ..... 64

Figure 36 – Dishracks and PRV ..... 66

**ELECTRICAL SCHEMATICS**

B701602/H – Wiring Diagrams (MH-60, MH-6N, MH-6L Steam/Electric 1 & 3 Phase) ..... 67

---

**THIS PAGE  
INTENTIONALLY  
LEFT BLANK**

## LIMITED WARRANTY

Champion Industries/Moyer Diebel Limited, P.O. Box 4183, Winston-Salem, North Carolina 27115, and P. O. Box 301, 2674 North Service Road, Jordan Station, Ontario, Canada L0R 1S0 warrants machines, and parts, as set out below.

**Warranty of Machines:** Champion Industries/Moyer Diebel Limited warrants all new machines of its manufacture bearing the name "Champion" or "Moyer Diebel" and installed within the United States and Canada to be free from defects in material and workmanship for a period of one (1) year after the date of installation or fifteen (15) months after the date of shipment by Champion/Moyer Diebel, whichever occurs first. [See below for special provisions relating to Model Series DF and SW.] The warranty registration card must be returned to Champion/Moyer Diebel within ten (10) days after installation. If warranty card is not returned to Champion/Moyer Diebel within such period, the warranty will expire after one year from the date of shipment.

Champion/Moyer Diebel will not assume any responsibility for extra costs for installation in any area where there are jurisdictional problems with local trades or unions.

If a defect in workmanship or material is found to exist within the warranty period, Champion/Moyer Diebel, at its election, will either repair or replace the defective machine or accept return of the machine for full credit; provided, however, as to Model Series DF and SW, Champion/Moyer Diebel's obligation with respect to labor associated with any repairs shall end (a) 120 days after shipment, or (b) 90 days after installation, whichever occurs first. In the event that Champion/Moyer Diebel elects to repair, the labor and work to be performed in connection with the warranty shall be done during regular working hours by a Champion/Moyer Diebel authorized service technician. Defective parts become the property of Champion/Moyer Diebel. Use of replacement parts not authorized by Champion/Moyer Diebel will relieve Champion/Moyer Diebel of all further liability in connection with its warranty. In no event will Champion/Moyer Diebel's warranty obligation exceed Champion/Moyer Diebel's charge for the machine. The following are not covered by Champion/Moyer Diebel's warranty:

- a. Lighting of gas pilots or burners.
- b. Cleaning of gas lines.
- c. Replacement of fuses or resetting of overload breakers.
- d. Adjustment of thermostats.
- e. Adjustment of clutches.
- f. Opening or closing of utility supply valves or switching of electrical supply current.
- g. Adjustments to chemical dispensing equipment.
- h. Cleaning of valves, strainers, screens, nozzles, or spray pipes.
- i. Performance of regular maintenance and cleaning as outlined in operator's guide.
- j. Damages resulting from water conditions, accidents, alterations, improper use, abuse, tampering, improper installation, or failure to follow maintenance and operation procedures.

*Examples of the defects not covered by warranty include, but are not limited to:* (1) Damage to the exterior or interior finish as a result of the above, (2) Use with utility service other than that designated on the rating plate, (3) Improper connection to utility service, (4) Inadequate or excessive water pressure, (5) Corrosion from chemicals dispensed in excess of recommended concentrations, (6) Failure of electrical components due to connection of chemical dispensing equipment installed by others, (7) Leaks or damage resulting from such leaks caused by the installer, including those at machine table connections or by connection of chemical dispensing equipment installed by others, (8) Failure to comply with local building codes, (9) Damage caused by labor dispute.

**Warranty of Parts:** Champion/Moyer Diebel warrants all new machine parts produced or authorized by Champion/Moyer Diebel to be free from defects in material and workmanship for a period of 90 days from date of invoice. If any defect in material and workmanship is found to exist within the warranty period Champion/Moyer Diebel will replace the defective part without charge.

**DISCLAIMER OF WARRANTIES AND LIMITATIONS OF LIABILITY. CHAMPION/MOYER DIEBEL'S WARRANTY IS ONLY TO THE EXTENT REFLECTED ABOVE. CHAMPION/MOYER DIEBEL MAKES NO OTHER WARRANTIES, EXPRESS OR IMPLIED, INCLUDING, BUT NOT LIMITED TO, ANY WARRANTY OF MERCHANTABILITY, OR FITNESS OF PURPOSE. CHAMPION/MOYER DIEBEL SHALL NOT BE LIABLE FOR INCIDENTAL OR CONSEQUENTIAL DAMAGES. THE REMEDIES SET OUT ABOVE ARE THE EXCLUSIVE REMEDIES FOR ANY DEFECTS FOUND TO EXIST IN CHAMPION/MOYER DIEBEL DISHWASHING MACHINES AND CHAMPION/MOYER DIEBEL PARTS, AND ALL OTHER REMEDIES ARE EXCLUDED, INCLUDING ANY LIABILITY FOR INCIDENTALS OR CONSEQUENTIAL DAMAGES.**

Champion/Moyer Diebel does not authorize any other person, including persons who deal in Champion/Moyer Diebel dishwashing machines, to change this warranty or create any other obligation in connection with Champion/Moyer Diebel Dishwashing Machines.

---

**THIS PAGE  
INTENTIONALLY  
LEFT BLANK**

## INTRODUCTION

Welcome to **Moyer Diebel**...and thank you for allowing us to take care of your dishwashing needs.

This manual covers the door-type dishwasher, Models MH-60, MH-6N, MH-6L. Your machine was completely assembled, inspected, and thoroughly tested at our factory before it was shipped to your installation site.

This manual contains:

- Installation Instructions
- Operation and Cleaing Instructions
- Troubleshooting Guide
- Basic Service Information
- Replacement Parts Lists
- Electrical Schematics

All information, illustrations and specifications contained in this manual are based upon the latest product information available at the time of publication. **Moyer Diebel** constantly improves its products and reserves the right to make changes at any time or to change specifications or design without notice and without incurring any obligation.

For your protection, factory authorized parts should always be used for repairs.

Replacement parts may be ordered directly from your **Moyer Diebel** authorized parts distributor or authorized service agency. When ordering parts, please supply the model number, serial number, voltage, and phase of your machine, the part number, part descriptions and quantity.

## MODEL NUMBERS

MH-60, MH-6N, MH-6L

The MH-60 model is a high temperature (180°F/82°C rinse) sanitizing model with booster.

The MH-6N model is a high temperature (180°F/82°C rinse) sanitizing model without booster.

The MH-6L is a low temperature (Min. 120°F/49°C-140°F/60°C Optimum) sanitizing model for use with a sodium hypochlorite (Chlorine) based sanitizer at a minimum concentration of 50 PPM in the final rinse.

### Standard Equipment includes:

MH-60, MH-6N, MH-6L

- Automatic tank fill and start
- Built-in electric booster heater (MH-60 only)
- Field convertible to corner model with kit
- Electric tank heat
- Balanced two door lift system
- Low-water tank heat protection
- 1-hp drip-proof pump motor
- Door safety switch
- Common utility connections
- Two dish racks (peg and flat bottom)
- Detergent/chemical connection provisions
- Stainless steel front and side panels
- 60-second time cycle
- 1-1/2" O.D. gravity drain connection
- Water pressure reducing valve (MH-60 only)
- Interchangeable upper and lower spray arms
- Stainless steel rinse arms with cleanout

### Options (MH-60 only)

- Electric booster (70°F/39°C temperature rise) heater for 110°F/43°C supply water
- Steam injector or steam coil tank heat (steam booster 40°F/23°C-70°F/39°C rise)

### Accessories

Additional dishracks:

Dish rack (peg) P/N [101285](#)

Silverware rack (flat bottom) P/N [101273](#)

3/4" Pressure reducing valve (PRV) P/N [112387](#)

## Electrical Power Requirements: Fig Electric Heat/Electric Booster

Model	Voltage	Booster Rise (MH-60 Only)	Rated Amps	Minimum Supply Ckt. Conductor Ampacity	Maximum Overcurrent Protective Device
MH-6N/MH-6L	115/60/1	—	46 Amps	60 Amps	86 Amps
MH-6N/MH-6L	208/60/1	—	35 Amps	40 Amps	40 Amps
MH-6N/MH-6L	220/60/1	—	35 Amps	40 Amps	40 Amps
MH-6N/MH-6L	230/60/1	—	37 Amps	40 Amps	40 Amps
MH-6N/MH-6L	240/60/1	—	37 Amps	40 Amps	40 Amps
MH-6N/MH-6L	208/60/3	—	20 Amps	25 Amps	25 Amps
MH-6N/MH-6L	220/60/3	—	20 Amps	25 Amps	25 Amps
MH-6N/MH-6L	230/60/3	—	21 Amps	25 Amps	25 Amps
MH-6N/MH-6L	240/60/3	—	21 Amps	20 Amps	25 Amps
MH-6N/MH-6L	380/60/3	—	8 Amps	15 Amps	15 Amps
MH-6N/MH-6L	415/60/3	—	9 Amps	15 Amps	15 Amps
MH-6N/MH-6L	480/60/3	—	9 Amps	15 Amps	15 Amps
MH-6N/MH-6L	575/60/3	—	7 Amps	15 Amps	15 Amps
MH-60	115/60/1	—	—	—	—
MH-60	208/60/1	40°F/23°C	71 Amps	75 Amps	75 Amps
MH-60	220/60/1	40°F/23°C	71 Amps	75 Amps	75 Amps
MH-60	230/60/1	40°F/23°C	79 Amps	90 Amps	90 Amps
MH-60	240/60/1	40°F/23°C	79 Amps	90 Amps	90 Amps
MH-60	208/60/3	40°F/23°C	40 Amps	45 Amps	45 Amps
MH-60	220/60/3	40°F/23°C	40 Amps	45 Amps	45 Amps
MH-60	230/60/3	40°F/23°C	45 Amps	50 Amps	50 Amps
MH-60	240/60/3	40°F/23°C	45 Amps	50 Amps	50 Amps
MH-60	380/60/3	40°F/23°C	26 Amps	30 Amps	30 Amps
MH-60	415/60/3	40°F/23°C	27 Amps	30 Amps	30 Amps
MH-60	480/60/3	40°F/23°C	20 Amps	25 Amps	25 Amps
MH-60	575/60/3	40°F/23°C	16 Amps	20 Amps	20 Amps
MH-60	115/60/1	—	—	—	—
MH-60	208/60/1	—	—	—	—
MH-60	220/60/1	—	—	—	—
MH-60	230/60/1	—	—	—	—
MH-60	240/60/1	—	—	—	—
MH-60	208/60/3	70°F/39°C	57 Amps	60 Amps	60 Amps
MH-60	220/60/3	70°F/39°C	57 Amps	60 Amps	60 Amps
MH-60	230/60/3	70°F/39°C	64 Amps	70 Amps	70 Amps
MH-60	240/60/3	70°F/39°C	64 Amps	70 Amps	70 Amps
MH-60	380/60/3	70°F/39°C	35 Amps	40 Amps	40 Amps
MH-60	415/60/3	70°F/39°C	37 Amps	45 Amps	45 Amps
MH-60	480/60/3	70°F/39°C	29 Amps	35 Amps	35 Amps
MH-60	575/60/3	70°F/39°C	25 Amps	30 Amps	30 Amps

## Electrical Power Requirements: Fig Steam or Gas Heat/Steam or Gas Booster

Model	Voltage	Booster Rise (D-HBT Only)	Rated Amps	Minimum Supply Ckt. Conductor Ampacity	Maximum Overcurrent Protective Device
MH-6N/MH-6L	115/60/1	—	20 Amps	25 Amps	25 Amps
MH-6N/MH-6L	208/60/1	—	12 Amps	15 Amps	15 Amps
MH-6N/MH-6L	220/60/1	—	12 Amps	15 Amps	15 Amps
MH-6N/MH-6L	230/60/1	—	11 Amps	15 Amps	15 Amps
MH-6N/MH-6L	240/60/1	—	11 Amps	15 Amps	15 Amps
MH-6N/MH-6L	208/60/3	—	6 Amps	15 Amps	15 Amps
MH-6N/MH-6L	220/60/3	—	6 Amps	15 Amps	15 Amps
MH-6N/MH-6L	230/60/3	—	6 Amps	15 Amps	15 Amps
MH-6N/MH-6L	240/60/3	—	6 Amps	15 Amps	15 Amps
MH-6N/MH-6L	380/60/3	—	4 Amps	15 Amps	15 Amps
MH-6N/MH-6L	415/60/3	—	4 Amps	15 Amps	15 Amps
MH-6N/MH-6L	480/60/3	—	3 Amps	15 Amps	15 Amps
MH-6N/MH-6L	575/60/3	—	3 Amps	15 Amps	15 Amps
MH-60	115/60/1	—	—	—	—
MH-60	208/60/1	40°F/23°C	13 Amps	15 Amps	5 Amps
MH-60	220/60/1	40°F/23°C	13 Amps	15 Amps	15 Amps
MH-60	230/60/1	40°F/23°C	12 Amps	15 Amps	15 Amps
MH-60	240/60/1	40°F/23°C	12 Amps	15 Amps	15 Amps
MH-60	208/60/3	40°F/23°C	6 Amps	15 Amps	15 Amps
MH-60	220/60/3	40°F/23°C	6 Amps	15 Amps	15 Amps
MH-60	230/60/3	40°F/23°C	6 Amps	15 Amps	15 Amps
MH-60	240/60/3	40°F/23°C	6 Amps	15 Amps	15 Amps
MH-60	380/60/3	40°F/23°C	4 Amps	15 Amps	15 Amps
MH-60	415/60/3	40°F/23°C	4 Amps	15 Amps	15 Amps
MH-60	480/60/3	40°F/23°C	3 Amps	15 Amps	15 Amps
MH-60	575/60/3	40°F/23°C	3 Amps	15 Amps	15 Amps
MH-60	115/60/1	—	—	—	—
MH-60	208/60/1	—	—	—	—
MH-60	220/60/1	—	—	—	—
MH-60	230/60/1	—	—	—	—
MH-60	240/60/1	—	—	—	—
MH-60	208/60/3	70°F/39°C	6 Amps	15 Amps	15 Amps
MH-60	220/60/3	70°F/39°C	6 Amps	15 Amps	15 Amps
MH-60	230/60/3	70°F/39°C	6 Amps	15 Amps	15 Amps
MH-60	240/60/3	70°F/39°C	6 Amps	15 Amps	15 Amps
MH-60	380/60/3	70°F/39°C	4 Amps	15 Amps	15 Amps
MH-60	415/60/3	70°F/39°C	4 Amps	15 Amps	15 Amps
MH-60	480/60/3	70°F/39°C	3 Amps	15 Amps	15 Amps
MH-60	575/60/3	70°F/39°C	3 Amps	15 Amps	15 Amps

# INSTALLATION

## Unpack the dishwasher



**CAUTION:**

*Care should be taken when lifting the machine to prevent damage.*



**NOTE:**

*The installation of your machine must meet all applicable health and safety codes.*

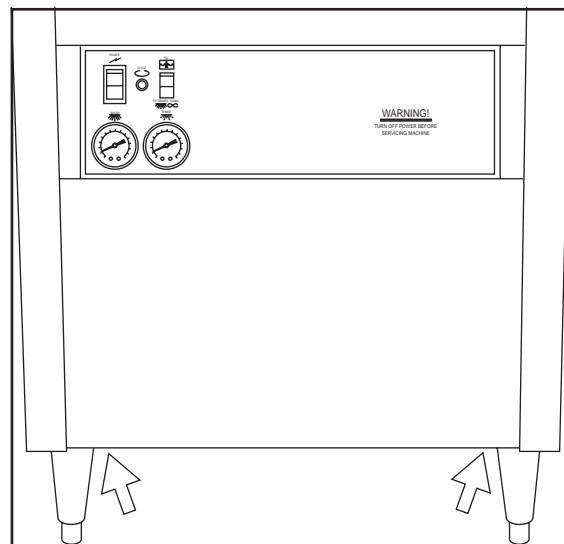
1. Immediately after unpacking the machine, inspect for any shipping damage. If damage is found, save the packing material and contact the carrier immediately.
2. Remove the dishwasher from the skid. Move the machine to its permanent location.



**NOTE:**

*Refer to: To change from Straight-through Operation to Corner Operation on the next page if your machine will be placed for corner operation.*

3. Level the machine (if required) by placing a level on the top of the machine and adjusting the feet. Level the machine front-to-back and side-to-side.
4. Remove the dishracks from the interior of the machine.
5. Refer to Fig. 1. Remove (2) screws that hold the front panel. Remove the front panel in preparation for service connections.




**Figure 1**  
**Remove Front Panel**


## Changing Operation – Straight-through to Corner

Your door-type dishwasher was specified to the factory as a straight-through configuration or as a corner configuration. Your machine can be converted from straight-through to corner or from corner to straight-through. Contact the factory for instructions on changing the operation of your dishwasher.

## INSTALLATION (Cont.)

### Electrical Connections

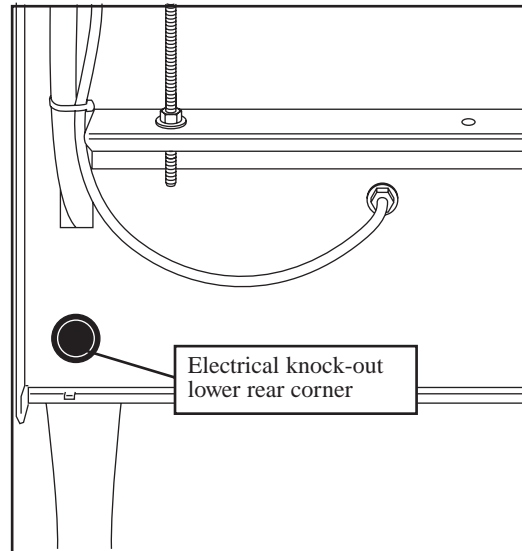
 **WARNING:**  
*Electrical and grounding connections must comply with all applicable Electrical Codes.*

 **WARNING:**  
*When working on the dishwasher, disconnect the electric service and place a tag at the disconnect switch to indicate work is being done on that circuit.*

1. A qualified electrician must compare the electrical power supply with the machine electrical specifications before connecting to the incoming service through a fused disconnect switch.

Refer to Fig. 2

2. A knock-out is provided at the lower right rear corner (as viewed from the front) for the electrical service connection. A fused disconnect switch or circuit breaker (supplied by others) is required to protect the power supply circuit.

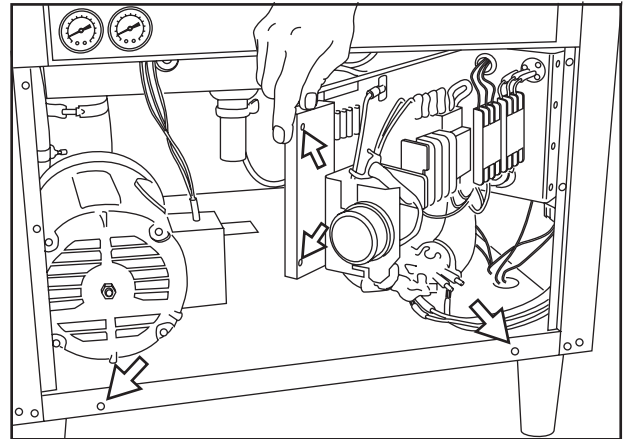


**Figure 2**  
**Electrical Connection Location**

## Electrical Connections (Cont.)

Refer to Fig. 3

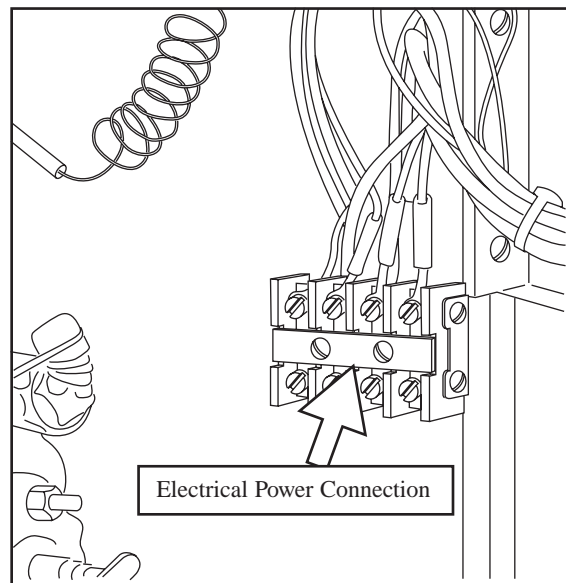
3. Remove (2) lower screws from the front panel of the machine to expose the electrical controls. Remove (2) screws on the control panel support. Swing the hinged control panel forward.



**Figure 3**  
**Hinged Control Panel**

Refer to Fig. 4

4. Three phase or single phase incoming power wiring connections are made at the bottom of the machine's main terminal block. The main terminal block is located on the side of the front right post of the dishwasher.



**Figure 4**  
**Main Terminal Block**

## INSTALLATION (Cont.)

### Plumbing Connections

#### NOTE:

*Plumbing connections must comply with all applicable sanitary and plumbing codes.*

### Water Connections

1. All MH series dishwashers require a single, hot water supply.  
The hot water connection to all MH series dishwashers is 3/4" NPT.  
The connection is made from underneath the dishwasher.

The following minimum water temperatures are recommended:

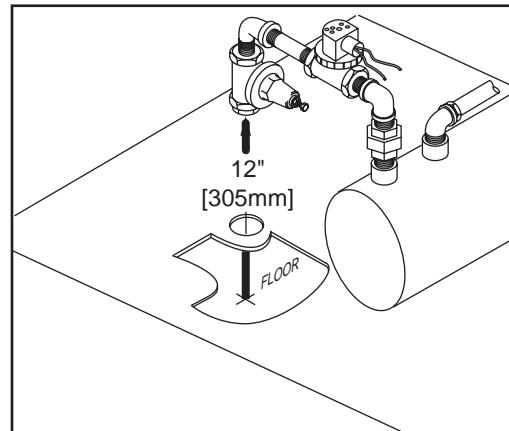
**MH-60 with built-in 40° rise electric booster (Minimum 140°F/60°C)**  
(Min./Max. flow pressure 20-22 PSI/138-151.8 kPa)

**MH-60 with built-in 70° rise electric booster (Minimum 110°F/43°C)**  
(Min./Max. flow pressure 20-22 PSI/138-151.8 kPa)

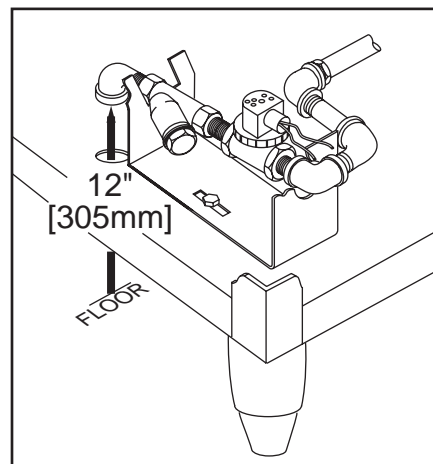
**MH-6N without built-in booster (Minimum 180°F/70°C)**  
(Min./Max. flow pressure 20-22 PSI/138-151.8 kPa)

**MH-6L low temperature (Minimum 120°F/49°C-140°F/60°C Optimum)**  
(Min./Max. flow pressure 20-22 PSI/138-151.8 kPa)

Refer to Figs. 5 and 6



**Figure 5**  
**Hot Water Connection**  
**(MH-60 Only)**  
**3/4" NPT**



**Figure 8**  
**Hot Water Connection**  
**(MH-6N, MH-6L Only)**  
**3/4" NPT**

## Water Connections (Cont.)

2. A manual shut-off valve for steam and water (supplied by others) should be installed in the supply line to allow for servicing of the machine. The shut-off valve should be the same size or larger than the supply line.
3. Install a 3/4" pressure reducing valve (PRV) in the water supply line if flow pressure exceeds 20-22 PSI/138-151.8 kPa.

A PRV is standard equipment on Model MH-60. A PRV is not standard equipment on Models MH-6N, MH-6L.

## Drain Connections

Refer to Fig. 9

1. MH series models are GRAVITY DRAIN machines equipped with a 1-1/2" O.D. hose connection point.
2. The maximum drain flow rate is 15 gallons/min-56.8 liters/min.
3. Drain height for all models must not exceed 11" (280mm) above floor level.
4. The drain connection is made to the dishwasher from underneath the machine through an access hole in the machine base.

## Ventilation



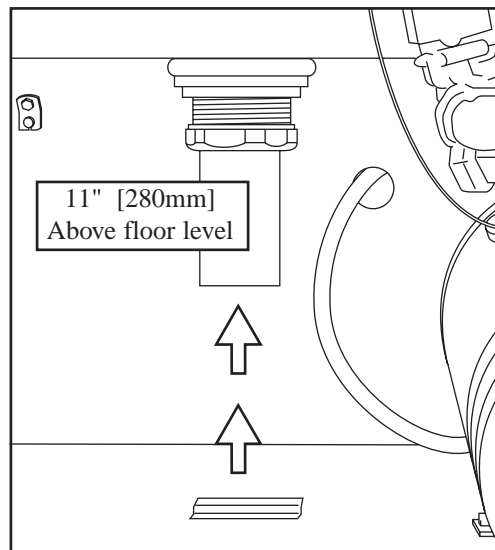
### NOTE:

*Ventilation must comply with local sanitary and plumbing codes.*



### CAUTION:

*Exhaust air should not be vented into a wall, ceiling, or concealed space of a building. Condensation can cause damage.*



**Figure 7**  
**Drain Hose Connection**  
 1-1/2" O.D.  
 (Max flow rate = 15 gal/min-56.8 liters/min)

## INSTALLATION (Cont.)

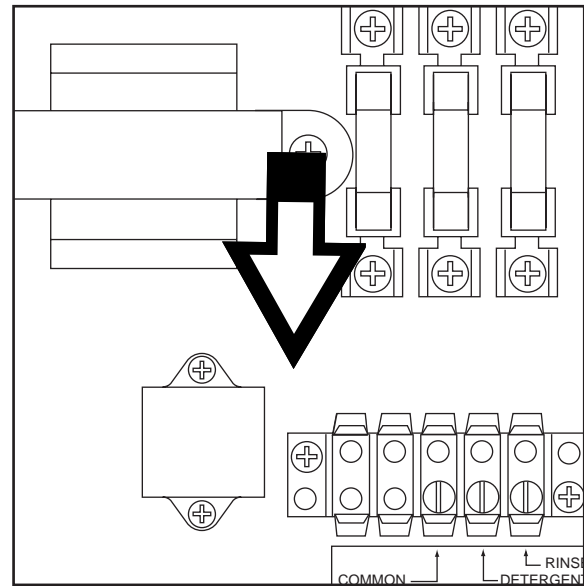
### Chemical Connections

**NOTE:**

*Consult a qualified chemical supplier for your chemical needs.*

Refer to Fig. 8

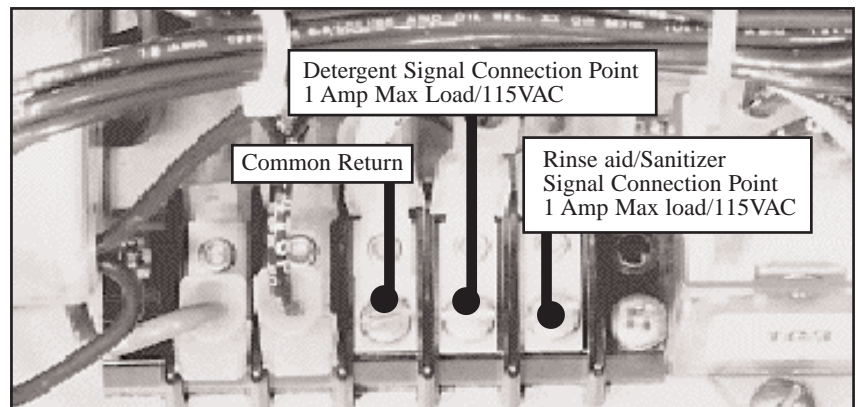
1. A chemical signal terminal block is supplied for chemical dispensing equipment.
2. The terminal block is located below the control panel fuse block.



**Figure 8**  
**Chemical Dispenser**  
**Signal**  
**Terminal Block**

Refer to Fig. 9

3. The detergent signal is limited to a maximum load of 1 Amp. Signal voltage is 115VAC.
4. The Rinse aid/Sanitizer signal is limited to a maximum load of 1 Amp. Signal voltage is 115VAC.

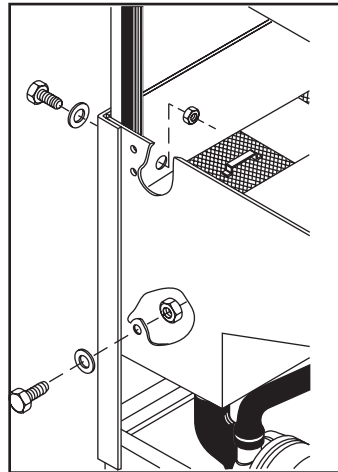


**Figure 9**  
**Chemical Signal**  
**Connection Points**

## Chemical Connections (Cont.)

Refer to Fig. 10

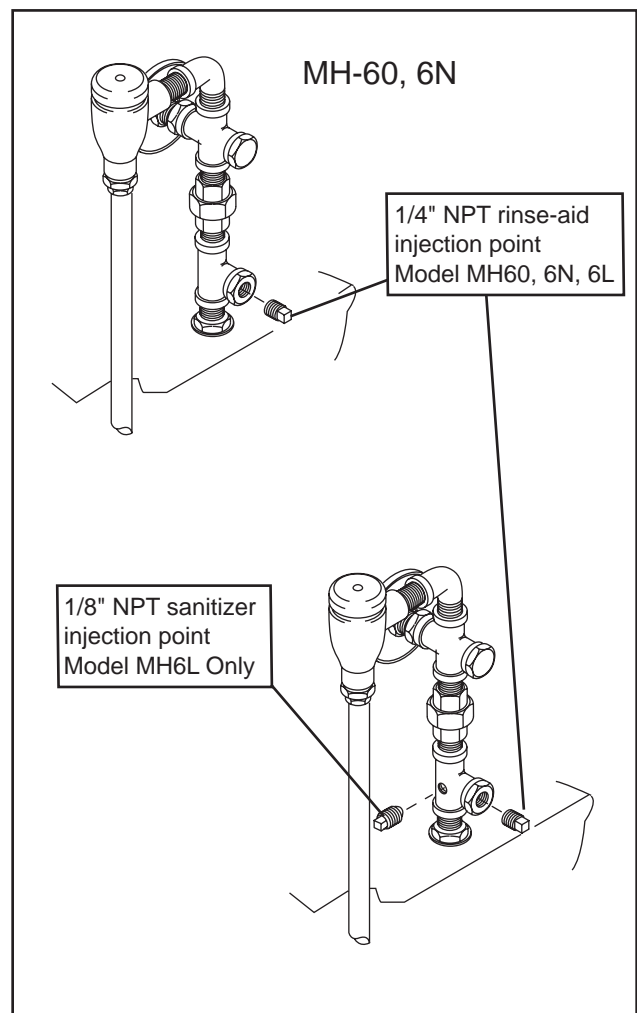
5. A 1/2" detergent probe injection point is provided at the rear and left side of the dishwasher.
6. Detergent may be added manually if your dishwasher is not equipped with dispensing equipment. Consult your chemical supplier for recommended amounts.



**Figure 10**  
**Detergent Probe**  
**Injection Points, 1/2"**

Refer to Fig. 11

7. **MH-60, 6N, 6L**  
A 1/4" NPT rinse aid injection point is provided in the final rinse manifold.  
Use a liquid rinse aid.  
The manifold is located on the top right side of the dishwasher.
8. **MH-6L Only**  
A 1/8" NPT sanitizer injection point is provided in the final rinse manifold.  
**Models MH-60 and MH-6N do not require sanitizer.**
9. Use a sodium hypochlorite (Chlorine) based sanitizer at a minimum concentration of 50PPM in the final rinse.
10. Use chlorine test papers to verify and monitor the 50PPM chlorine level.



**Figure 11**  
**Rinse Aid and**  
**Sanitizer Injection Points**  
**(Top of Dishwasher)**



**WARNING:**

*Never premix rinse aid with the sanitizing agent. Mixing may cause hazardous gases to form.*



**CAUTION:**

*Some metals, including silver, aluminum and pewter, are attacked by sodium hypochlorite (chlorine). Avoid cleaning these metals in a MH-6L.*

# INITIAL START-UP

## Complete the installation

After plumbing and electrical connections are made, follow the steps below to complete the installation of your dishwasher.

1. Remove the white protective covering from the exterior of the machine.
2. Remove any foreign material from inside the machine.
3. Make sure dishwasher power switch is off.
4. Turn main water supply on.
5. Turn main power on at the main power service disconnect switch.

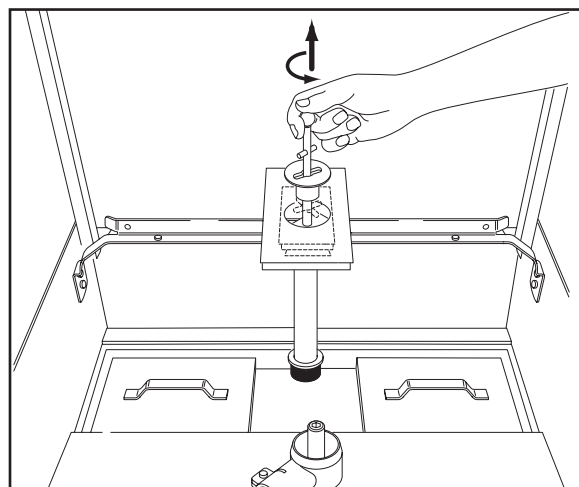
# 1

### Install the Scrap Screens and Drain-Overflow Assembly

Install scrap screens.  
Make sure rubber stopper is secure on the drain-overflow assembly.

Make sure the drain-overflow seats securely in the tank bottom.

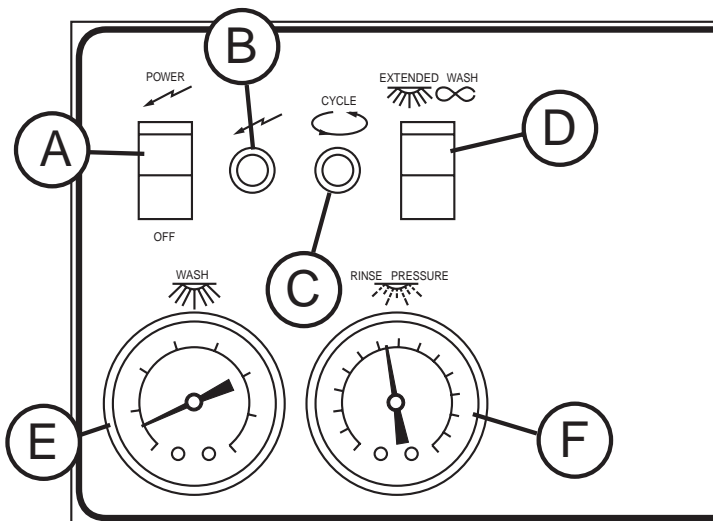
**MAKE SURE DOORS ARE FULLY CLOSED.**



# 2

The controls are located on the front of the dishwasher.

- A- On/Off power switch
- B- Power indicator Light
- C- In-cycle light
- D- Extended wash switch
- E- Wash water temperature gauge
- F- Final rinse pressure gauge



## INITIAL START-UP (CONT.)

**3**

THE POWER SWITCH IS ON DURING INITIAL FILL.

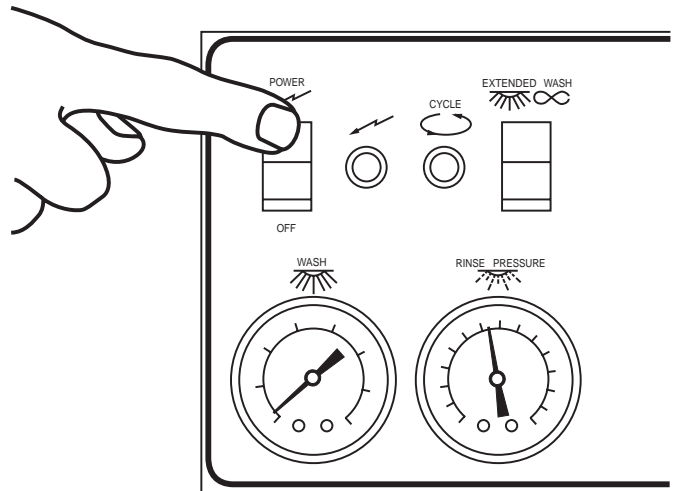
Make sure the doors are fully closed. Push the On/Off power switch to the UP position.

THE DISHWASHER FILLS AUTOMATICALLY.



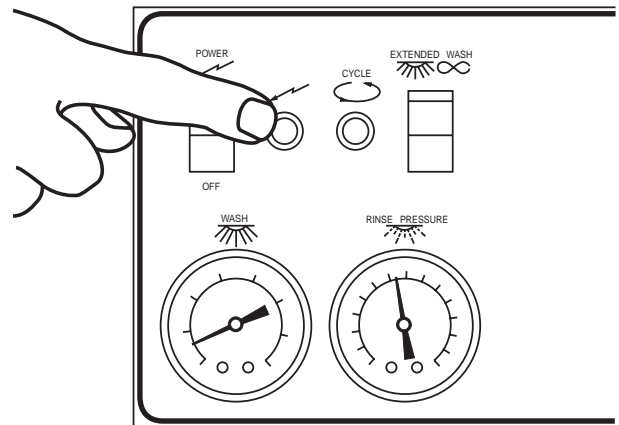
**NOTE:**

*The dishwasher will fill automatically each time the power is turned off even if the dishwasher is full of water.*



**4**

Note that the power indicator light is illuminated.



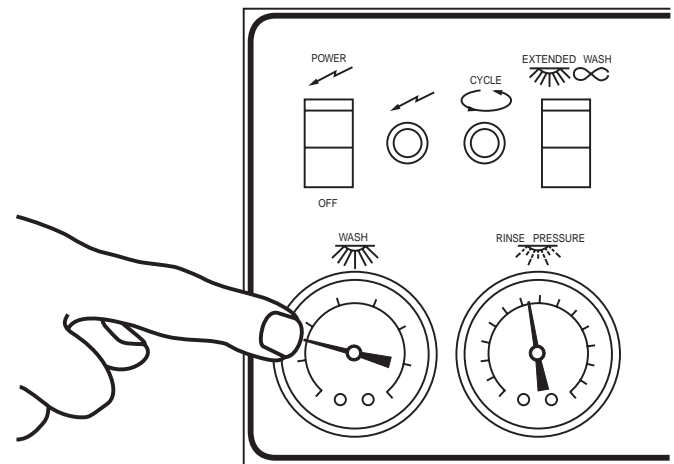
**5**

### Check Wash Water Temperature

The wash tank heater and the (booster tank heater, MH-60 only) will begin to heat the water in the dishwasher.

Wait approximately 10 minutes for the wash tank water to reach operating temperature. The temperature should be a minimum of 150°F/66°C for (MH-60, MH-6N). The MH-6L requires a minimum of 120°F/49°C. However, a minimum of 140°F/60°C is optimum for the MH-6L.

Prescrap the dishes. Load ware into the dishrack. Open the doors, insert the rack into the dishwasher.



## INITIAL START-UP (CONT.)

### 6

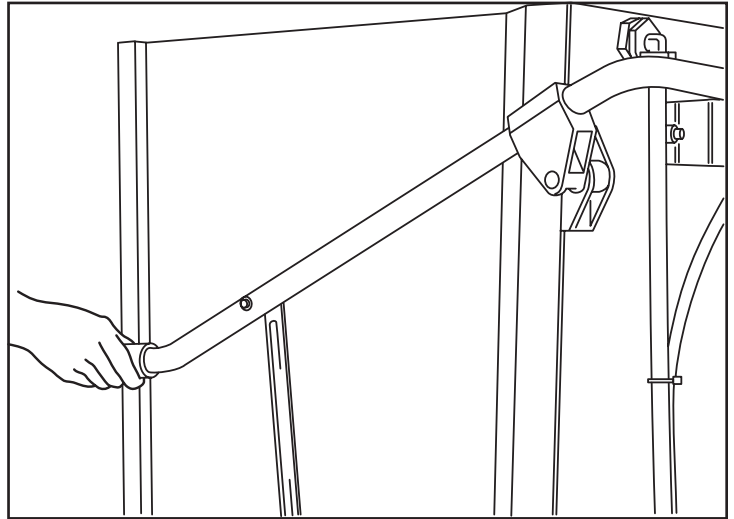
Fully close the dishwasher doors.  
The dishwasher will begin the automatic cycle.

Opening the doors anytime during the cycle will stop the dishwasher.

Closing the doors will resume the automatic cycle where it left off.

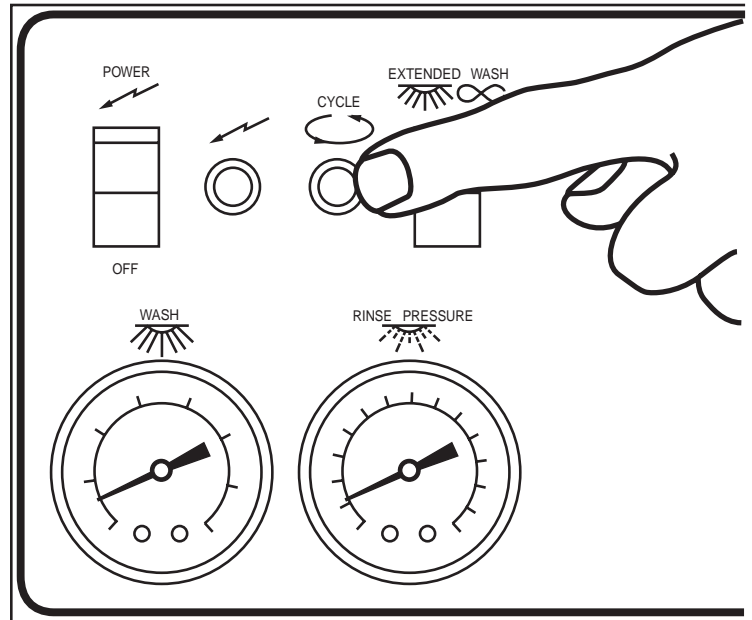
The cycle times are listed below:

Wash	=	48 seconds
Dwell	=	4 second
Final rinse	=	8 seconds



### 7

Note that the in-cycle light is lit during the automatic dishwasher cycle.



## INITIAL START-UP (CONT.)

**8**

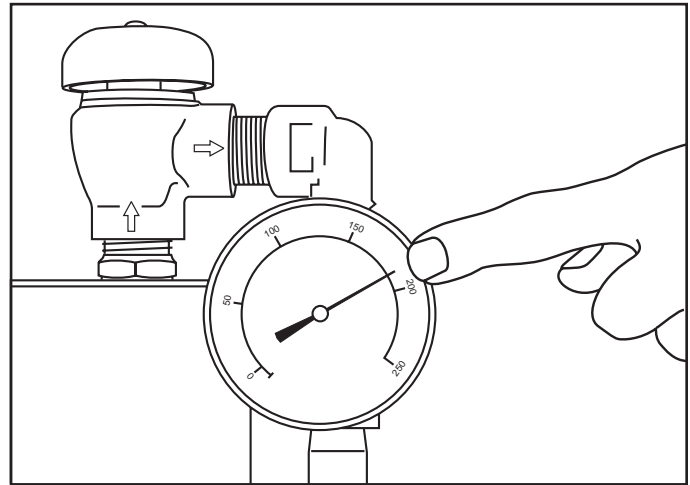
### Check Final Rinse Water Temperature

Check the final rinse water temperature during the final rinse cycle.

The final rinse water temperature gauge is located in the final rinse piping at the top of the dishwasher.

The final rinse water temperature should be a minimum of 180°F/82°C for (MH-60, MH-6N). The optimum final rinse temperature for (MH-60, MH-6N) is 180-195°F/82-91°C.

The MH-6L requires a minimum final rinse temperature of 120°F/49°C. However, a minimum final rinse temperature of 140°F/60°C is optimum for the MH-6L.

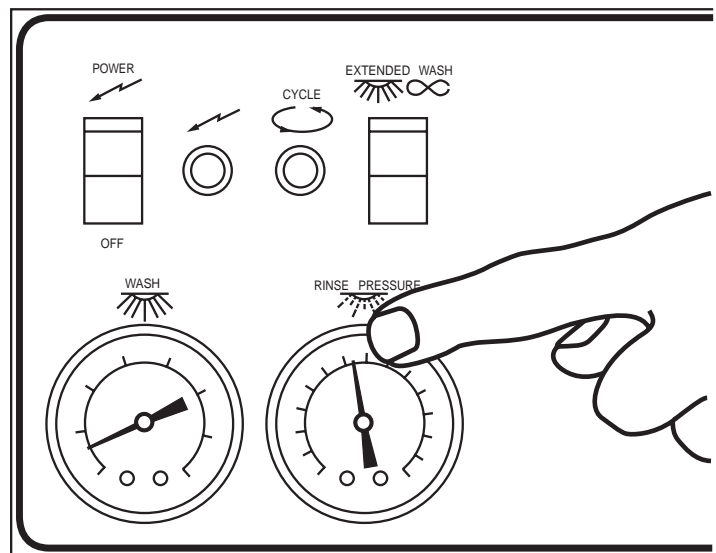


**9**

### Check Final Rinse Water Pressure

The final rinse water pressure gauge should indicate a flowing pressure of 20-22 PSI/138-151.8 kPa during the final rinse cycle for all models.

A pressure reducing valve (PRV) is required if flow pressure exceeds 20-22 PSI/138-151.8 kPa.



## INITIAL START-UP (CONT.)

# 10

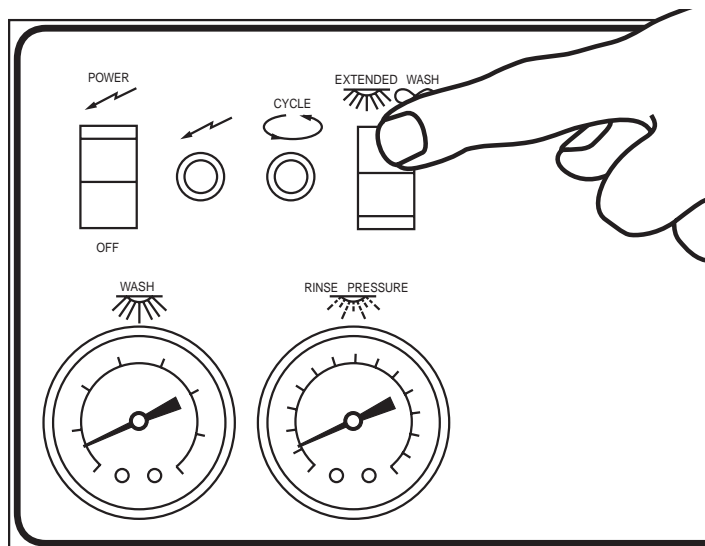
### The Extended Wash Operation

The extended wash switch holds the dishwasher in a continuous wash mode for cleaning heavily soiled ware.

Open and then fully close the dishwasher doors. The dishwasher will begin a wash cycle automatically.

Push the Extended wash switch UP to the extended wash position.

The dishwasher will remain in a continuous wash mode until the switch is flipped down. The dishwasher will resume the cycle and finish with a final rinse.



# 11

### Complete the initial start-up

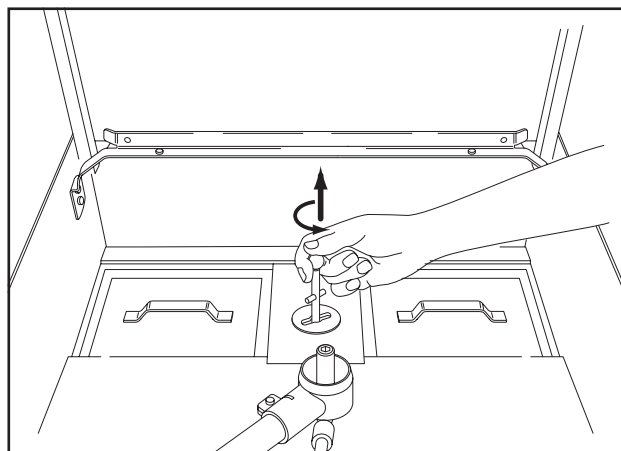
Check all the plumbing for leaks. Also, check the drain plumbing for leaks and be sure that the drain will handle the drain water flow (15 gal/min-56.8 liters/min) from the dishwasher.

After the drain and the plumbing connections are checked, turn off the dishwasher power switch.

# 12

### Drain the dishwasher

Make sure the dishwasher power switch is turned off. Drain the dishwasher by pulling the handle of the drain-overflow assembly straight up. Rotate the handle 90° to lock the drain in the up position.

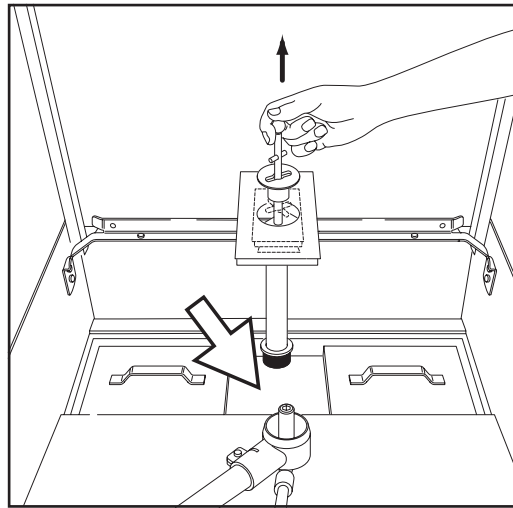


## INITIAL START-UP (Cont.)

**13**

### Drain the dishwasher (Cont.)

Be sure the drain-overflow seal is secure on the drain-overflow assembly.



**14**

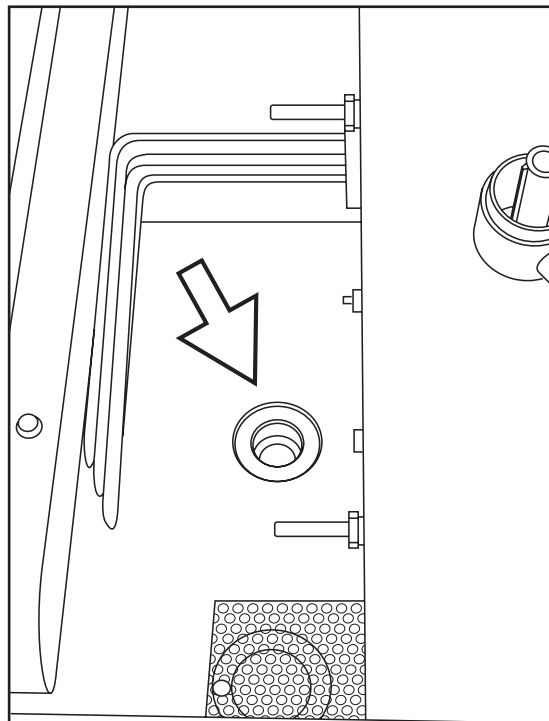
Remove the scrap screens and check the drain located in the bottom of the dishwasher wash tank.

Make sure that the building drain handles the water flow exiting the dishwasher.

Clean the interior of the wash tank of any foreign material.

Leave the doors open to air dry the interior of the dishwasher.

The initial start-up is complete.



## OPERATION SUMMARY

Action	Result
1. Push the On/Off power switch “UP” to the ON position. Dishwasher fills automatically.	1. The power indicator light illuminates. The wash tank heater and the booster tank heater begin to heat.
2. Wait approximately 10 minutes for the wash tank heater to heat the water. Then, check the reading on the wash water temperature gauge.	2. The wash water temperature gauge should indicate a minimum of 150°F/66°C for MH-60, MH-6N and 120°F/60°C for MH-6L.
3. Prescrap and load the ware into the dishrack.	3. Ware should be placed edgewise in the peg rack. Cups and bowls should be placed upside down in the flat rack. Silverware should be spread evenly in a single layer in the flat rack.
4. Open the doors. Insert a dishrack of soiled ware. Fully close the doors.  Opening the doors anytime during the automatic cycle stops the dishwasher. Closing the doors will resume the cycle where it left off.	4. In-cycle light illuminates as the dishwasher begins a 60 second automatic cycle. The cycle times are listed below:  Wash = 48 seconds Dwell = 4 seconds Final rinse = 8 seconds
5. Check the final rinse temperature gauge reading during the 8 second final rinse cycle.	5. The final rinse temperature gauge should indicate a minimum of 180°F/82°C for MH-60/6N. The optimum final rinse temperature range is between 180-195°F/82-90°C for MH60/6N. MH-6L optimum is 140°F/60°C.
6. Check the incoming water pressure during the 10 second final rinse cycle.	6. The water pressure gauge should indicate a flowing pressure of 20-22 PSI/138-151.8 kPa. A pressure reducing valve (PRV) is required if flow pressure exceeds 20-22 PSI/138-151.8 kPa.
7. The 60 second automatic cycle ends.	7. The in-cycle light goes out.
8. Open the doors. Remove the clean rack. Insert another rack of soiled ware. Fully close the doors.	8. The 60 second automatic cycle begins again.
9. Turn power OFF at the dishwasher. Remove the drain-overflow assembly. Clean the scrap screens. Clean the dishwasher after each meal period or every two hours of operation.	9. Dishwasher wash tank drains completely. Periodic cleaning reduces detergent consumption and improves washing results.

## CLEANING

Cleaning your machine is the best maintenance that you can provide. Components that are not regularly flushed and cleaned do not perform well.

The following schedules are the minimum requirements necessary for the proper performance of your machine. Intervals should be shortened whenever your machine is faced with abnormal working conditions, hard water, or multiple shift operations.

### Cleaning Schedule

#### Every 2 Hours or After Each Meal Period

1. Drain the dishwasher.
2. Flush interior with fresh water.
3. Clean scrap screens and pump intake screen.
4. Clean spray arm nozzles.

#### Every 8 Hours or at the End of the Day

1. Drain the machine.
2. Flush interior with fresh water.
3. Clean scrap screens and pump intake screen.
4. Clean spray arms.
5. Thoroughly clean the exterior of machine.

**DO NOT HOSE DOWN  
WITH WATER.**

6. Reassemble the machine.
7. Leave doors open to aid in drying.



**CAUTION:**

*Do not leave water in wash tank overnight.*

## Deliming

Your dishwasher should be delimed regularly depending on the mineral content of your water. Inspect the machine interior for mineral deposits and use a deliming solution for the best cleaning results.



### NOTE:

*Consult your chemical supplier for an appropriate deliming solution.*



### WARNING:

*Deliming solutions or other acids must not come in contact with household bleach (sodium hypochlorite) or any chemicals containing chlorine, iodine, bromine, or fluorine.*

*Mixing will cause hazardous gases to form.*

*Skin contact with deliming solutions can cause severe irritation and possible chemical burns. Consult your chemical supplier for specific safety precautions.*

## Deliming Process

### Model MH-60 and MH-6N

1. Remove all dishes from machine.
2. Remove any chemical pick-up tubes from their containers.
3. Place each tube in a container of fresh water and prime the chemical lines for several minutes to thoroughly flush chemical from the lines. Leave pick-up tubes out of their containers.
4. Drain the machine and refill with fresh water.
5. Spray interior walls with deliming solution and let sit for 5 or 10 minutes depending on amount of build-up. Add deliming solution to wash tank.  
Do not let chemicals sit for longer than 15 minutes.
6. Close the doors to run an automatic cycle.
7. Repeat Steps 4-6 if necessary.
8. Lift the drain lever assembly and drain the machine.
9. Refill the machine and run a complete cycle two additional times. Drain and refill the machine after each cycle to thoroughly flush any deliming solution from the interior of the machine.
10. Flip the power switch to OFF.
11. Drain machine.
12. Deliming is complete.

# TROUBLESHOOTING

Perform the seven checks listed below in the event that your dishwasher does not operate as expected.

1. All switches are ON
2. Drain-overflow assembly is in place and seated
3. Wash and rinse nozzles are clean
4. Wash and rinse pipe assemblies are installed correctly
5. Scrap screens are properly positioned
6. Thermostat(s) are properly adjusted
7. Detergent and rinse additive dispensers are adequately filled

If a problem still exists, use the following table for troubleshooting

CONDITION	CAUSE	SOLUTION
Machine will not start	Doors not closed .....	Make sure doors are fully closed
	Door safety switch faulty .....	Contact your service agency
	Start switch faulty .....	Contact your service agency
	Main switch off .....	Check disconnect at main panel
	Overload protector tripped .....	Reset overload in Control Box
Machine washes constantly	Extended wash switch in..... extended wash position	Push Extended wash switch down to the off position
Low or no water	Main water supply is turned off .....	Turn on house water supply
	Drain-overflow assembly is not .....	Place and seat drain-overflow
	in place and seated	
	Machine doors not fully closed .....	Close doors securely
	Faulty fill valve .....	Contact your service agency
	Machine not filled initially .....	Push Power switch UP to fill
Continuous water filling	Clogged strainer in fill valve .....	Clean or replace
	Stuck or defective float .....	Check floats and clean
	Defective Circuit Board .....	Contact your service agency
	Fill valve will not close.....	Clean or replace
	Drain-overflow not in place .....	Install drain-overflow assembly
Wash motor not running	Stuck or defective float switch .....	Inspect or replace float switch
	Overload protector tripped .....	Reset overload in Control Box
Wash tank water temperature is low when in use	Defective motor .....	Contact your service agency
	Incoming water temperature .....	Raise temperature to:
	at machine too low	110-140°F/43-60°C for MH60
		180°F/82°C for MH-6N
		120°F/49°C-140°F/60°C for MH6L
	Defective thermometer	Check or replace
	Defective thermostat .....	Check for proper setting or replace
	Defective heater element .....	Check or replace
Defective solenoid valve.....	Check or replace	
Heater elements .....	Clean and delime	
have soil/lime buildup		

## TROUBLESHOOTING (CONT.)

CONDITION	CAUSE	SOLUTION
Insufficient pumped spray pressure	Clogged pump intake screen.....	Clean
	Clogged spray pipe .....	Clean
	Scrap screen full .....	Must be kept clean and in place
	Low water level in tank.....	Check drain-overflow assembly
	Pump motor rotation incorrect .....	Reverse connection between L1 and L2 in Control Cabinet
	Defective pump seal .....	Contact Service Agent
Insufficient final rinse or no final rinse	Faulty pressure reducing valve .....	Clean or replace
	Improper setting on pressure reducing valve .....	Set flow pressure at 20-22 PSI/ 138-151.8 kPa
	Clogged rinse nozzle and/or pipe .....	Clean
	Improper water line size .....	Have installer change to proper size
	Clogged strainer in fill valve .....	Clean or replace
Low final rinse temperature	Low incoming water temperature .....	Check the booster (MH60, MH6N) be sure the thermostat is set to maintain 180°F/82°C temperature. MH6L check incoming water is set Min. 120°F/49°C-140°F/60°C.
	Defective thermometer .....	Check valve to be sure it is clean and operating Check for proper setting or replace
Poor washing results	Detergent dispenser..... not operating properly	Contact detergent supplier
	Insufficient detergents .....	Contact detergent supplier
	Wash water temperature too low .....	See condition "Wash Tank Water Temperature" above
	Wash arm clogged.....	Clean
	Improperly scraped dishes .....	Check scraping procedures
	Ware being improperly placed in rack .....	Use proper racks. Do not overload racks
	Improperly cleaned equipment .....	Unclog wash sprays and rinse nozzles to maintain proper pressure and flow conditions. Overflows must be open. Keep wash water as clean as possible.
	Heater elements .....	Clean and delime
	have soil/lime buildup	

## BASIC SERVICE

This Basic Service section does not cover all possible repair procedures. If you require additional service support, you may call your local service company or:

**Moyer Diebel National Service**

**USA: 1-800-858-4477**

**Canada: 1-800-263-5798**

**Please have the Model and Serial Number of the machine ready when you call.**

### Electrical Service

#### **NOTE:**

*DO NOT USE CHASSIS GROUND WHEN PERFORMING VOLTAGE CHECKS.*

*Doing so will result in false and inaccurate readings.*

*PERFORM VOLTAGE CHECKS BY READING FROM THE HOT SIDE OF THE LINE AND NEUTRAL (any #2 or white wire).*



#### **WARNING:**

*USE EXTREME CAUTION when performing tests on energized circuits.*



#### **WARNING:**

*When repairing a circuit, disconnect the power at the main service disconnect switch and place a tag at the disconnect switch to indicate that work is being performed on the circuit.*

### Troubleshooting

#### **Schematics**

Moyer Diebel places an electrical schematic in the control cabinet of every machine before it is shipped. Schematics are included at the back of this manual as well. Be aware that these schematics include options that may not apply to your machine. Options are enclosed in dashed lines with the words (IF USED) next to them on the schematic. Disregard any options that appear on the schematics which are not a part of your machine.

#### **Tools**

All electrical repairs can be made with:

- Standard set of hand tools
- Volt/Ohm Meter (VOM)
- Clip-on AC current tester

#### **Circuit Tests**

Use a clip-on AC current tester to check the motors and electric heaters.

Use a VOM to test line voltages and the 115VAC control circuit.

## Electrical Service (Cont.)

### Fuses —

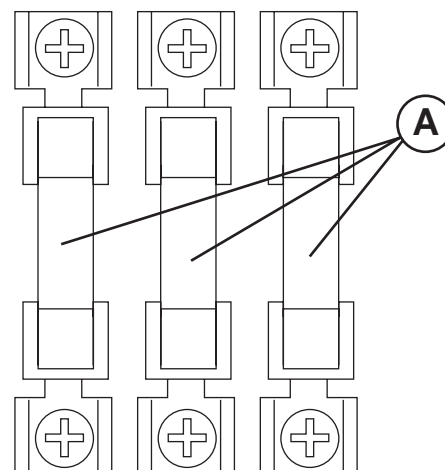
Refer to Fig. 12.

There are two fuse blocks. A 3 pole block (A) is located in the main control cabinet. The (A) fuses protect the wash tank heater circuit. Booster heater circuits (MH-60 only) are not fused. A 2 pole fuse block is located on the machine base to protect the control circuit.

To Replace a fuse:

Turn the dishwasher main power switch off. Disconnect power to the machine at the main service disconnect switch.

Replace the fuse. If the fuse blows again, DO NOT INCREASE THE FUSE SIZE. DETERMINE THE CAUSE OF THE OVERLOAD.



**Figure 12**  
Wash tank heater fuses  
Control Cabinet

### Motor Overloads —

The wash pump motor has an overload to protect it from line voltage electrical overloads. The overload disconnects 120VAC power to the motor contactor coil.

Refer to Fig. 13.

**Note the Switch Lever on the Overload.**

If the switch lever is off with the “0” showing then the overload has tripped.

**To Reset the Motor Overload:**

Flip the overload switch to the On position. A “1” should be visible on the switch lever.

**To Replace a Motor Overload:**

Disconnect the wires to the overload. Release the mounting catch on the front side of the overload. Push forward and lift out. Snap the new overload into place and reconnect the wires.

**To adjust the overload setting:**

The screwdriver in Fig. 15 is positioned to adjust the motor overload AMP setting. Read the full load amps (FLA) motor amps on the motor nameplate. Turn setting to match the motor nameplate.



**Figure 13**  
Motor Overload

## Solid State MH60/MH6N/MH6L Operating Instructions

### Automatic Operation

1. Check that drain is closed and screens are clean and in place.
2. Turn on main power to the machine.
3. Flip machine control panel power switch to ON.
4. Close doors.
  - Machine pauses 4 seconds to check water level.
5. Machine fills for 110 seconds if float is down.
6. Run machine through several cycles or wait for 10 minutes (on initial start up) for temperatures to stabilize.
7. Open door, insert rack of dishes.
8. Close doors. Automatic cycle begins.
9. Machine cycle is:
  - Wash = 48 secs.
  - Dwell = 4 secs.
  - Rinse = 8 secs.
10. Open door, remove clean rack of dishes.
11. Repeat for additional racks.
  - If Extended wash switch is operated, then machine will wash continually until Extended wash switch is taken off. Machine will immediately enter rinse cycle if more than 49 seconds has elapsed. If less than 49 seconds has elapsed when the extended wash is ended, then the machine will complete the remaining wash time and then finish with a final rinse.

## Troubleshooting Timer Circuit Board

### 1.1 Introduction

The following procedures are for determining whether or not the timer circuit board itself is faulty.

In this part –

- Checking the general condition of the circuit board.
- Testing inputs.
- Testing outputs.

### Special Tools

- A voltmeter capable of reading DC and AC volts.

### 1.2 Checking General Condition

Before testing the inputs and outputs, you should first check that the board is receiving power.

Turn on the power switch to the unit (do not start the unit, just turn on power to the unit). If red “Power” LED on board is illuminated, go directly to Step **1.3**. When LED is not illuminated, then check that the following conditions are true:

## Troubleshooting Timer Circuit Board (cont.)

### Power Terminals

- Verify that the board is receiving power of 120 VAC at the terminals:
  - T2, marked “H” (AC Hot).
  - T1, marked “N” (AC Neutral).

If either of these terminals is not receiving 120 VAC, then there is a problem elsewhere with the unit not receiving power.

### The Fuse (F1)

- Verify that the circuit board fuse (F1) is good.
- If it is not, replace it.

### Red ‘Power’ LED

- Verify that the red ‘power’ LED is illuminated.

If it is not, and the previous 2 conditions are true, then the board is bad and should be replaced.

### 1.3 Testing Board Inputs

After you have verified that the circuit board is receiving power (as explained above), then test the board inputs. There are 4 board inputs:

- Start Switch (not used on this model).
- Door Safety Switch.
- Float Switch.
- Extended Wash Switch (if installed).

Perform the following steps to test a board input:

1. Set the voltmeter to measure *DC volts*.
2. Place the negative (black) test probe on the “hot” terminal:
  - T2, marked “H”.
3. Place the positive (red) test probe on the input terminal to be tested:
  - T7, marked “START SW” (for the start switch, not used on this model).
  - T8, marked “DOOR SW” (for the door safety switch).
  - T9, marked “FLOAT SW” (for the float switch).
  - T10, marked “EXT. WASH” (for the extended wash switch).
4. Check the results on the voltmeter:
  - *If switch is opened* – the meter should read between 4.7 to 5.3 DC volts.
  - *If the switch is closed* – the meter should read between 0 to 1 DC volts.



### 1.4 Testing Board Outputs

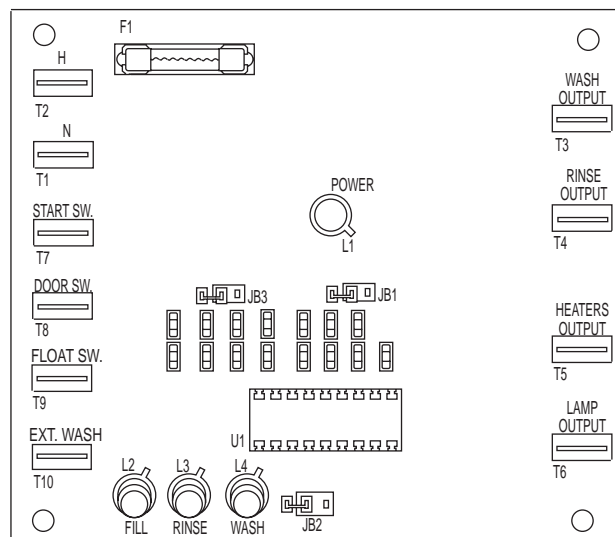
After you have verified that the circuit board is receiving power (as explained above), then test the board outputs. There are 4 board outputs:

- Wash Cycle.
- Rinse Cycle.
- Heaters.
- In-Cycle Lamp.



Perform the following steps to test a board output:

1. Set the voltmeter to measure *AC volts*.
2. Place the negative (black) test probe on the “neutral” terminal:
  - T1, marked “N”.
3. Place the positive (red) test probe on the output terminal to be tested:
  - T3, marked “WASH OUTPUT” (for the wash cycle) (doors must be closed before testing).
  - T4, marked “RINSE OUTPUT” (for the rinse cycle) (doors must be closed before testing).
  - T5, marked “HEATERS OUTPUT” (for the water heater).
  - T6, marked “LAMP OUTPUT” (for the in-cycle lamp indicator).
4. Check the results on the voltmeter for the terminal you are testing:
  - **For T3** – the meter should read 120 VAC whenever the unit is in-cycle and the “WASH” LED is illuminated on the circuit board.
  - **For T4** – the meter should read 120 VAC whenever the unit is in a fill or rinse mode and the corresponding “FILL” or “RINSE” LED is illuminated on the circuit board.
  - **For T5** – the meter should read 120 VAC whenever the power switch is on and the wash tank is full (i.e., the float switch is up).
  - **For T6** – the meter should read 120 VAC whenever the machine is in-cycle.



**Figure 14**  
**Solid State**  
**Control Board**

Models MH-60, MH-6N, and MH-6L use a float switch and circuit board to control tank fill and tank heat.

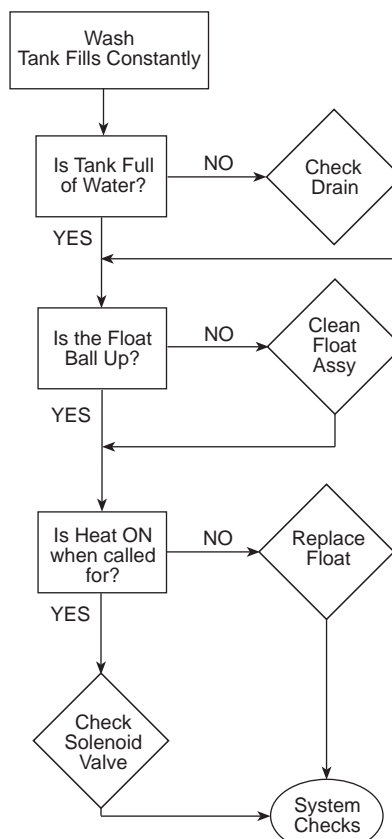
**For Model MH-60 only**, the built-in booster heat circuit is also controlled by the float switch.

### Operation:

1. When dishwasher main power switch is turned on (wash tank empty), the drain valve closes allowing cycle time to run for a minimum of 110 seconds to fill the tank.
2. The float switch ball rises; its normally open contacts close. The fill circuit times out; the fill solenoid de-energizes, and the tank heat and booster heat energize.
3. If water level drops below the float level, the float switch ball moves down; heat de-energizes. The fill solenoid energizes and the fill cycle runs for a minimum of 110 seconds to refill the tank.
4. If the tank is not full of water at the end of the 110-second fill cycle, then the machine will cycle again. When the float switch is satisfied, the fill cycle stops after completing its 110-second cycle.
5. Refer to the float switch troubleshooting chart below (Fig. 16) for a quick guide to evaluating float switch problems.



**Figure 15**  
**Float Switch**



**Figure 16**  
**Float Switch**  
**Troubleshooting Chart**

## Electrical Service (Cont.)

### Heater Element Wiring – Booster Tank and Wash Tank Heater Elements

Refer to the illustrations and follow the steps below to properly install terminal jumpers and to make line power connections to a replacement element.

**Step 1.** Hold the element assembly with the calrod coils facing toward you.

**Step 2.** Match your element coil to Configuration A, B, C, or D.

**Step 3.** Rotate your element coils to match the correct configuration.

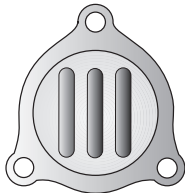
**Step 4.** Turn the element over and match your element to the correct terminal configuration.

**Step 5.** Install terminal jumpers according to the illustration for your voltage requirement.

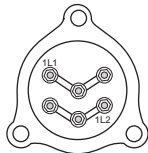
**Step 6.** Install the element and make your line connections 1L1, 1L2, or 1L3 per the illustration.

#### Configuration A

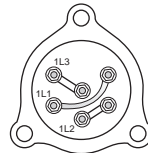
Booster tank element  
View of calrod coils



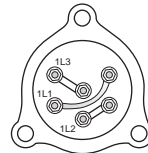
#### Terminal Connections View of element



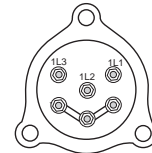
208V/1 Phase



208-240V/3 Phase  
Delta Connection



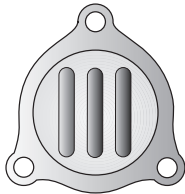
480V/3 Phase  
575V/3 Phase  
Delta Connection



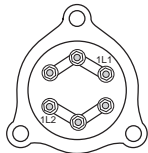
208-240V/3 Phase  
Wye Connection for  
380-415V/3 Phase

#### Configuration B

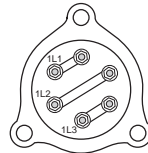
Booster tank element  
View of calrod coils



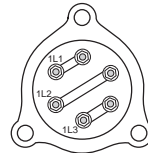
#### Terminal Connections View of element



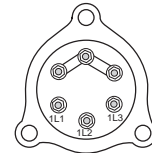
208V/1 Phase



208-240V/3 Phase  
Delta Connection



480V/3 Phase  
575V/3 Phase  
Delta Connection



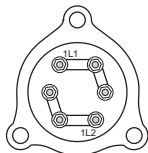
208-240V/3 Phase  
Wye Connection for  
380-415V/3 Phase

#### Configuration C

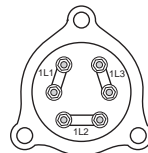
Booster tank element  
View of calrod coils



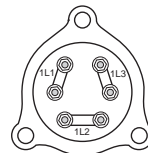
#### Terminal Connections View of element



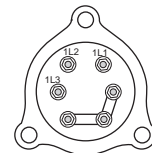
208V/1 Phase



208-240V/3 Phase  
Delta Connection



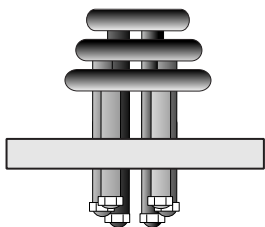
480V/3 Phase  
575V/3 Phase  
Delta Connection



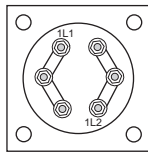
208-240V/3 Phase  
Wye Connection for  
380-415V/3 Phase

#### Configuration D

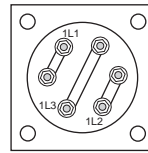
Wash tank element  
View of calrod coils



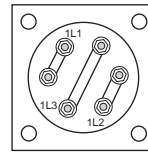
#### Terminal Connections View of element



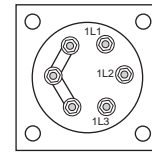
208V/1 Phase



208-240V/3 Phase  
Delta Connection



480V/3 Phase  
575V/3 Phase  
Delta Connection



208-240V/3 Phase  
Wye Connection for  
380-415V/3 Phase

Figure 17  
Heater Element Wiring

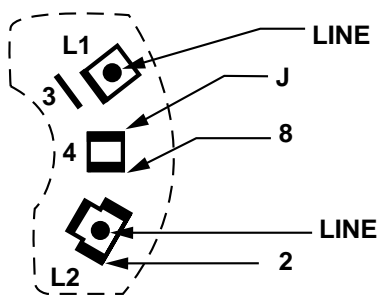
## Electrical Service (Cont.)

### Motor Connections —

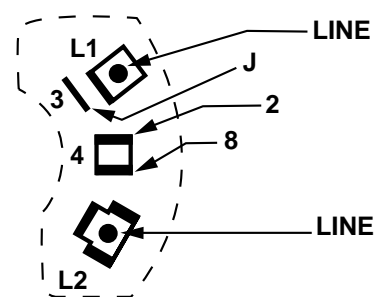
1. Models MH-60, MH-6N, and MH-6L are available in either single phase or 3 phase voltages.
2. Motor rotation was set at the factory. For three phase machines, reversing the motor direction is done in the control cabinet by reversing the wires L1 and L2 on the disconnect side of the main electrical connection block. For single phase machines, motor rotation is changed at the motor connection plate on the rear of the single phase motor (if necessary).

Refer to Fig. 20 for the proper wiring of the pump motor for single and three phase voltages.

**SINGLE PHASE - LOW VOLTAGE**

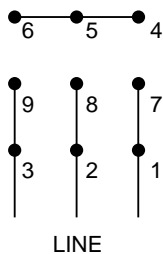


**SINGLE PHASE - HIGH VOLTAGE**

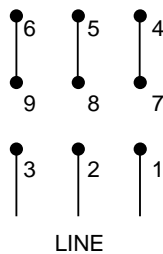


**Figure 18**  
**Pump Motor Wiring Diagrams**

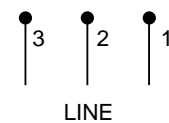
**208-240V**  
**THREE PHASE - LOW**  
**VOLTAGE**



**480V**  
**THREE PHASE - HIGH**  
**VOLTAGE**



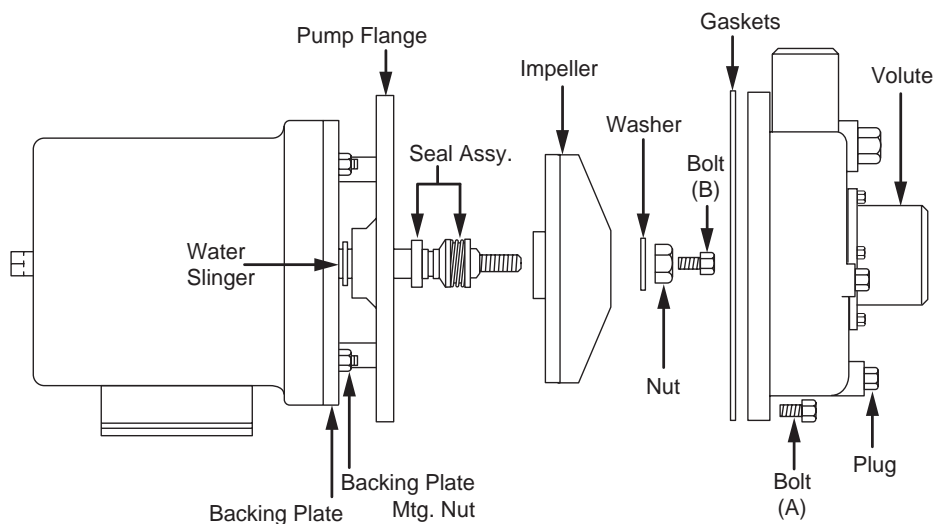
**575V ONLY**  
**THREE PHASE**



## MECHANICAL SERVICE

### Pump Seal Replacement

1. Disconnect the power to the machine at the main breaker panel or fuse box.
2. Drain the machine.
3. Remove the front and side panels.
4. Remove drain plug on the pump volute and drain the pump.
5. Remove the pump hoses.
6. Disconnect the wires to the motor at the motor junction box.
7. Unbolt motor from machine base and remove the pump/motor assembly.
8. Remove bolts on volute and carefully remove from the pump flange.
9. Remove the impeller retaining bolt and nut from center of impeller.
10. Lock the motor shaft with a wrench or pliers. The back of motor shaft is square.
11. Turn the impeller counter-clockwise to remove from shaft (right hand threads).
12. Remove the old seal and discard.
13. Check seal seat in the pump flange and clean thoroughly.
14. Press rubber seal/ceramic portion of seal assembly into the pump flange. Use a water soluble lubricant. Be careful to keep the ceramic clean.
15. Install the rotating part of the seal on the shaft with the graphite surface toward the ceramic. Use a water soluble lubricant on the rubber seal part only (not the graphite).
16. Reinstall impeller, and new flange gasket. Reinstall bolts. Reinstall drain plug.
17. Reinstall the pump/motor assembly and reconnect the pump hoses.
18. Fill the dishwasher with water.
19. Check motor rotation by bump starting motor.  
Correct motor shaft rotation is clockwise when viewing motor from the rear.
20. Test run and check for leaks.



**Figure 19**  
**Pump Seal Replacement**

# REPLACEMENT PARTS

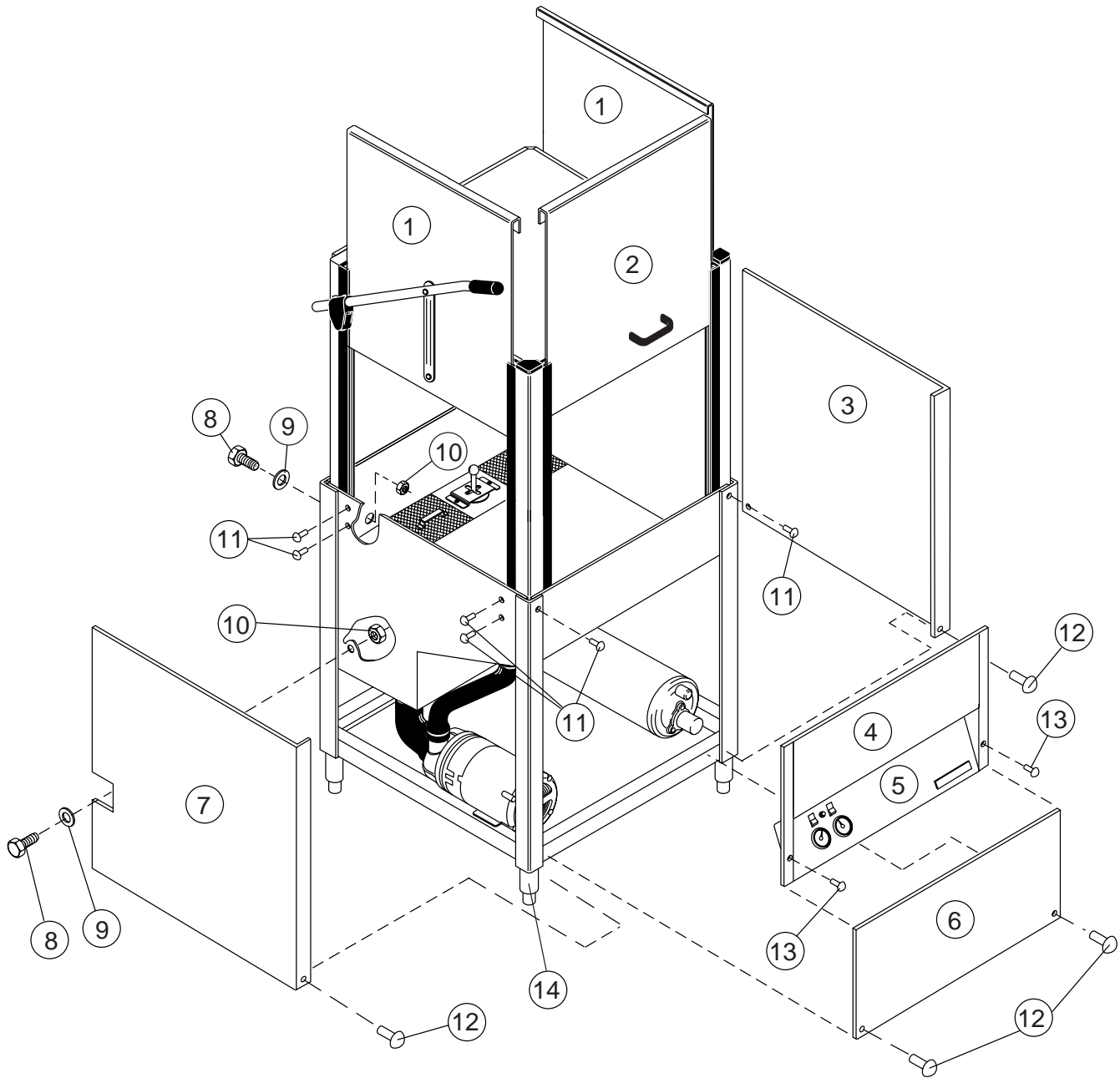


Figure 20 - MH-60/6N/6L  
Doors and Panels

**MH-60/6N/6L  
DOORS AND PANELS**

<b>Fig. 20 Item No.</b>	<b>Part No.</b>	<b>Part Description</b>	<b>Qty.</b>
1	325405	Side Door .....	2
2	327131	Front Door .....	1
3	321929	RH Panel, No Cut Out .....	1
4	321930	Panel, Instrument.....	1
5	112389	Decal, Control Panel .....	1
6	322074	Panel, Front Lower .....	1
7	321941	LH Panel w/Cut Out .....	1
8	108418	Plug Plastic .....	2
9	109034	Washer 13/16 x 1-13/16 Plastic .....	2
10	108417	Nut, Plastic .....	2
11	100779	Screw 1/4-20 x 5/8 Truss Head.....	6
12	0504822	Screw 8-32 x 1/2 Pan Head. ....	4
13	100763	Screw 10-32 x 1 Round Head.....	2
14	112587	Foot, Cast Grey .....	4

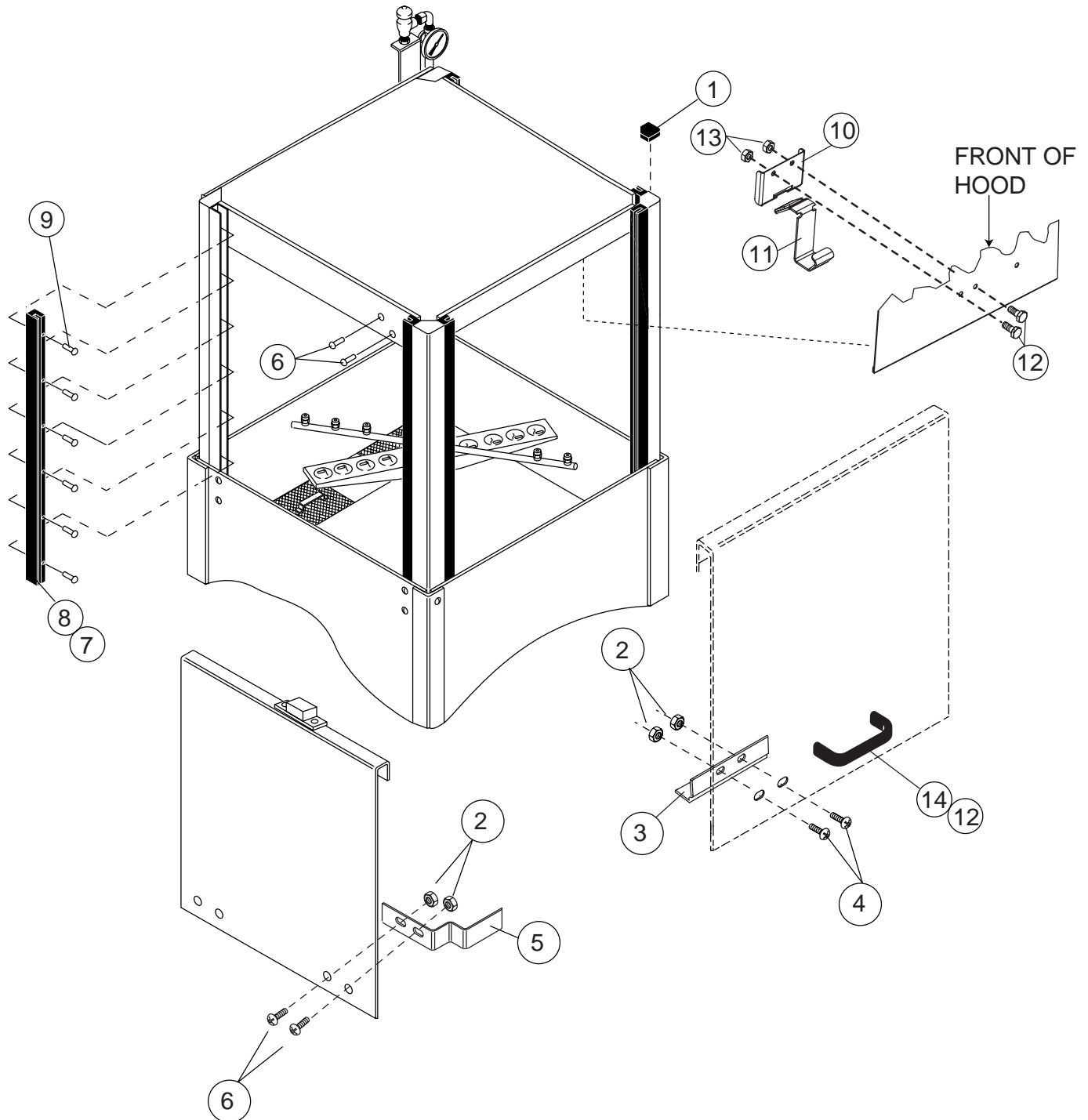


Figure 21 - MH-60/6N/6L  
Door Guides, Stops, and Lift Bracket

**MH-60/6N/6L**  
**DOOR GUIDES, STOPS, AND LIFT BRACKET**

<b>Fig. 21</b>	<b>Part</b>	<b>Part Description</b>	<b>Qty.</b>
<b>Item No.</b>	<b>No.</b>		
1	108053	Plug, Cornerpost .....	2
2	107966	Nut, Grip 10-32 w/Insert .....	10
3	327104	Bracket, Door Lift .....	1
4	100007	Screw 10-32 x 3/8" Truss Head .....	4
5	327103	Door Lift Bracket.....	1
6	100097	ScREW 10-32 x 1/2" Truss Head .....	2
7	108347	Guide, Door .....	6
8	108410	Gasket, Door Guide (26") .....	12
9	107970	Screw 8-32 x 1 Filister.....	36
10	317345	Bracket, Door catch .....	1
11	325921	Door Catch.....	1
12	100073	Screw 1/4-20 x 1/2" .....	2
13	100141	Nut, Grip 1/4-20.....	2
14	108966	Door Handle.....	1

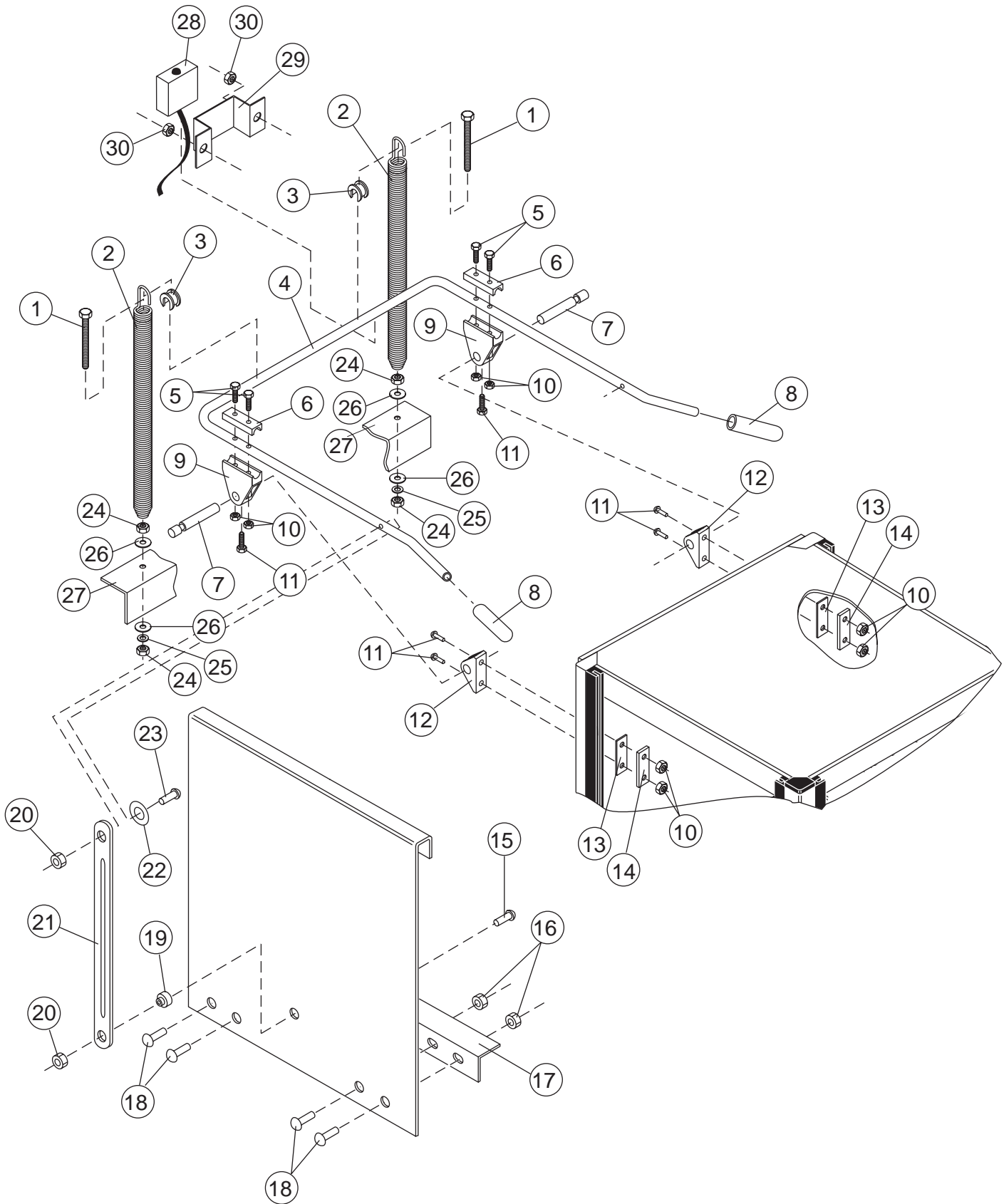


Figure 22 - MH-6  
Door Handle, Spring Assembly, and Safety Switch

**MH-60/6N/6L**  
**DOOR HANDLE, SPRING ASSEMBLY, AND SAFETY SWITCH**

Fig. 22 Item No.	Part No.	Part Description	Qty.
1	112723	Bolt 5/16-18 x 15 Hex Head .....	2
2	108066	Spring, Extension.....	2
3	107397	Block, Spring Hook .....	2
4	0509166	Door Handle.....	1
5	107437	Bolt M6 x 45MM Hex Head .....	4
6	107396	Block, Upper Pivot.....	2
7	107393	Pin, Pivot .....	2
8	0508864	Handle, Grip.....	2
9	107395	Block, Lower Pivot .....	2
10	107420	Nut, Plain M6.....	8
11	107436	Screw M6 x 16MM Filister .....	6
12	107399	Support, Pivot Block .....	2
13	108368	Gasket, Backing .....	2
14	304811	Plate, Backing .....	2
15	100740	Bolt 5/16-18 x 1 Hex Head .....	2
16	107966	Nut, Grip 10-32 w/Nylon Insert .....	8
17	322077	Guard, Splash.....	2
18	100097	Screw 10-32 x 1/2 Truss Head.....	8
19	0509264	Bushing, Side Door .....	2
20	0509274	Nut, Acorn 5/16-18 SST .....	2
21	0309167	Lift Bar, Door.....	2
22	102376	Washer, Flat .....	2
23	104002	Bolt 5/16-18 x 1-1/2.....	2
24	100154	Nut, Plain 5/16-18 .....	4
25	106013	Washer, Lock 5/16 Split.....	2
26	102376	Washer 5/16 x 3/4 x 1/16.....	4
27	321927	Spring Anchor Bracket.....	1
28	0509199	Switch, Door Safety .....	1
29	0309451	Bracket, Switch .....	1
30	107967	Nut, Grip (1/4-20 w/Nylon Insert).....	2

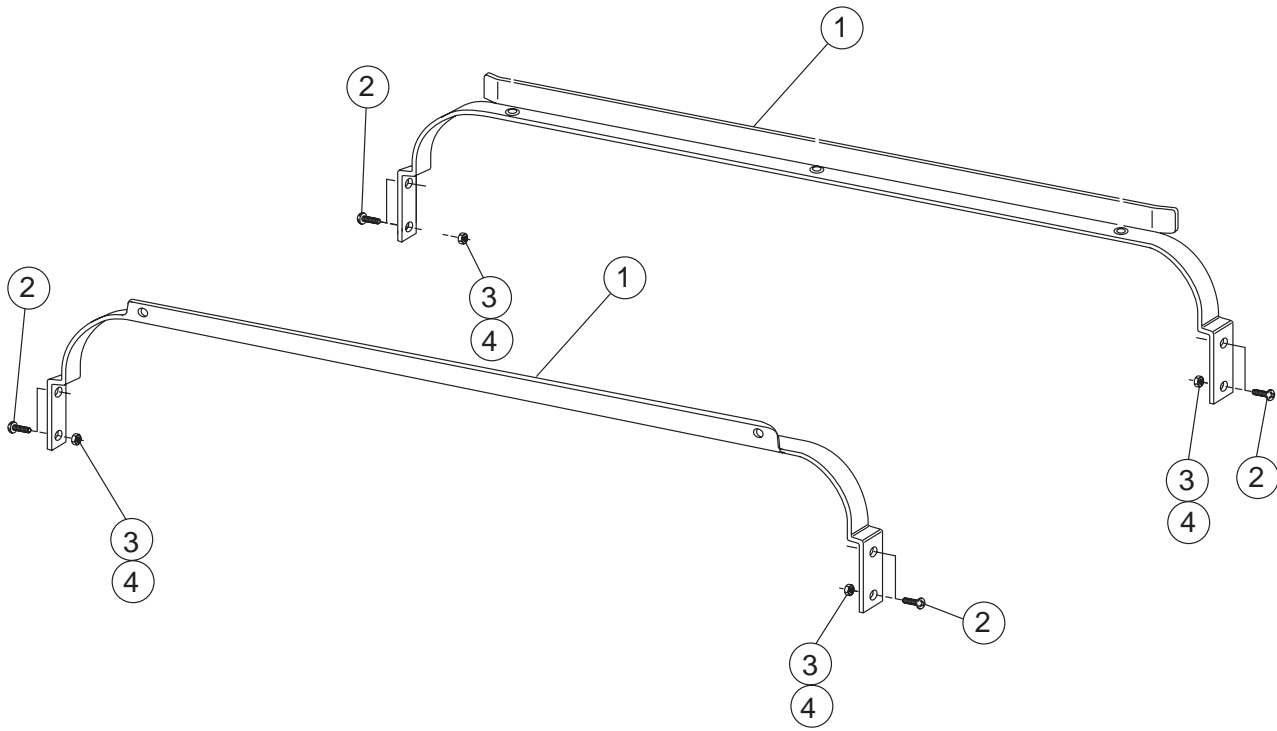


Figure 23A – MH-60/6N/6L  
Straight Track Assembly

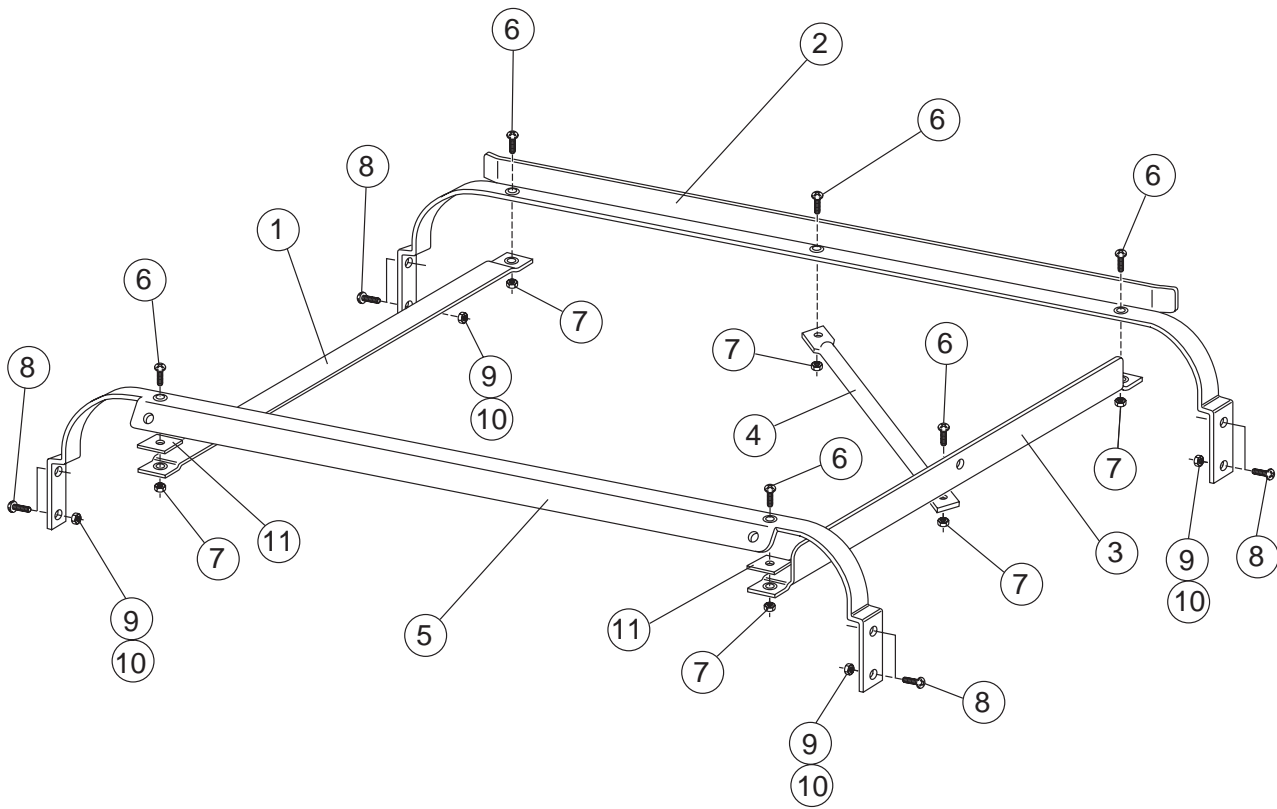


Figure 23B – MH-60/6N/6L  
Corner Track Assembly

**MH-60/6N/6L  
STRAIGHT TRACK ASSEMBLY**

<b>Fig. 23A Item No.</b>	<b>Part No.</b>	<b>Part Description</b>	<b>Qty.</b>
1	0309472	Track, Rear.....	1
2	100073	Screw 1/4 -20 x 1/2 Truss Hd .....	8
3	106482	Washer, Lock .....	8
4	100003	Nut (1/4-20 Hex Hd) .....	8

**MH-60/6N/6L  
CORNER TRACK ASSEMBLY**

<b>Fig. 23B Item No.</b>	<b>Part No.</b>	<b>Part Description</b>	<b>Qty.</b>
1	0309469	Guide, Right Hand .....	1
2	0309472	Track, Rear.....	1
3	0309468	Guide, Left Hand .....	1
4	0309470	Support, Rack.....	1
5	0309471	Track, Front .....	1
6	106727	Screw (10-32 x 5/8 Flat Hd) .....	6
7	107966	Nut, Grip (10-32 w/Nylon Insert) .....	6
8	100073	Screw 1/4 -20 x 1/2 Truss Hd .....	8
9	106482	Washer, Lock .....	8
10	100003	Nut (1/4-20 Hex Hd) .....	8
11	0309473	Spacer.....	2



**MH-60/6/6L  
WASH/RINSE SPRAY PIPING**

<b>Fig. 24 Item No.</b>	<b>Part No.</b>	<b>Part Description</b>	<b>Qty.</b>
1	324526	Rinse Manifold Weldment .....	1
2	113027	Connector, Rinse Arm .....	2
3	113028	Top Rinse Arm Connector .....	2
4	0507445	Spindle, Wash Arm .....	2
5	109864	Support, Wash Arm .....	2
6	109781	Standpipe, Wash.....	1
7	100736	Bolt 1/4-20 x 3/4 Hex Head.....	2
8	107967	Nut, Grip 1/4-20.....	3
9	109854	Gasket, Standpipe Wash.....	1
10	100740	Bolt 5/16-18 x 1" Hex Head .....	4
11	106013	Washer, Lock 5/16 Split.....	4
12	102376	Washer, Flat .....	8
13	100154	Nut, Plain 5/16-18 .....	4

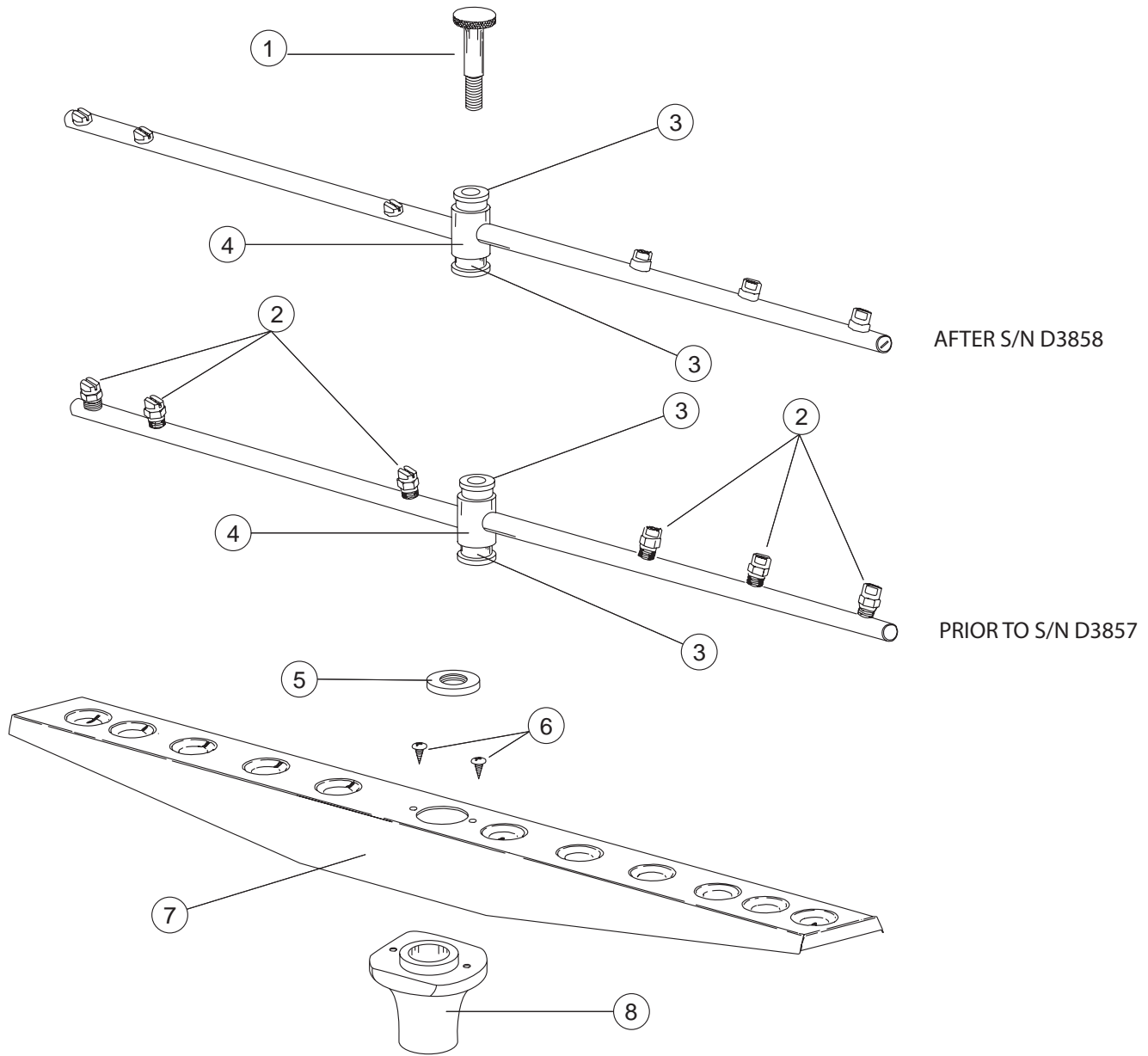


Figure 25 - MH-60/6N/6L  
Wash/Rinse Spray Arms

**MH-60/6N/6L  
WASH/RINSE SPRAY ARMS**

Fig. 25 Item No.	Part No.	Part Description	Qty.
1	0507443	Spindle, Rinse Arm .....	2
2	0508376	Nozzle, Rinse Arm (MH-60, MH-6N Only) (Prior to S/N D3857) ..	12
3	113514	Bearing, Rinse Arm (Replaces 112164) .....	4
*4	414111	Rinse Arm Assy. (Complete) (MH-60, MH-6N Prior to S/N D3857)	2
4	414110	Rinse Arm Assy. (Complete) (MH-60, MH-6N only) (After S/N D3858).....	2
5	0507444	Nut, Rinse Arm .....	2
6	109835	Screw (#8 x 1/2 Pan Hd) .....	4
7	0707452-S	Wash Arm Assy (Includes 6 & 8) .....	2
8	0507446	Bearing, Wash Arm .....	2
9	0507451	Nozzle Rinse Arm (SST) (Model MH-6L Only) (Prior to S/N D3857) .....	12
*10	414111	Rinse Arm Assy. (MH-6L only) (Complete) (Prior to D3857) .....	1
10	414111	Rinse Arm Assy. (MH-6L only) (Complete) (After S/N D3858) .....	1

\* Part number 0707453 (MH-60, MH6N) and 0708899 (MH-6L) are no longer available as complete rinse arm assemblies. Replacement nozzles and bearings are still available for these assemblies. To replace the complete rinse arm assembly, order part number 414111.

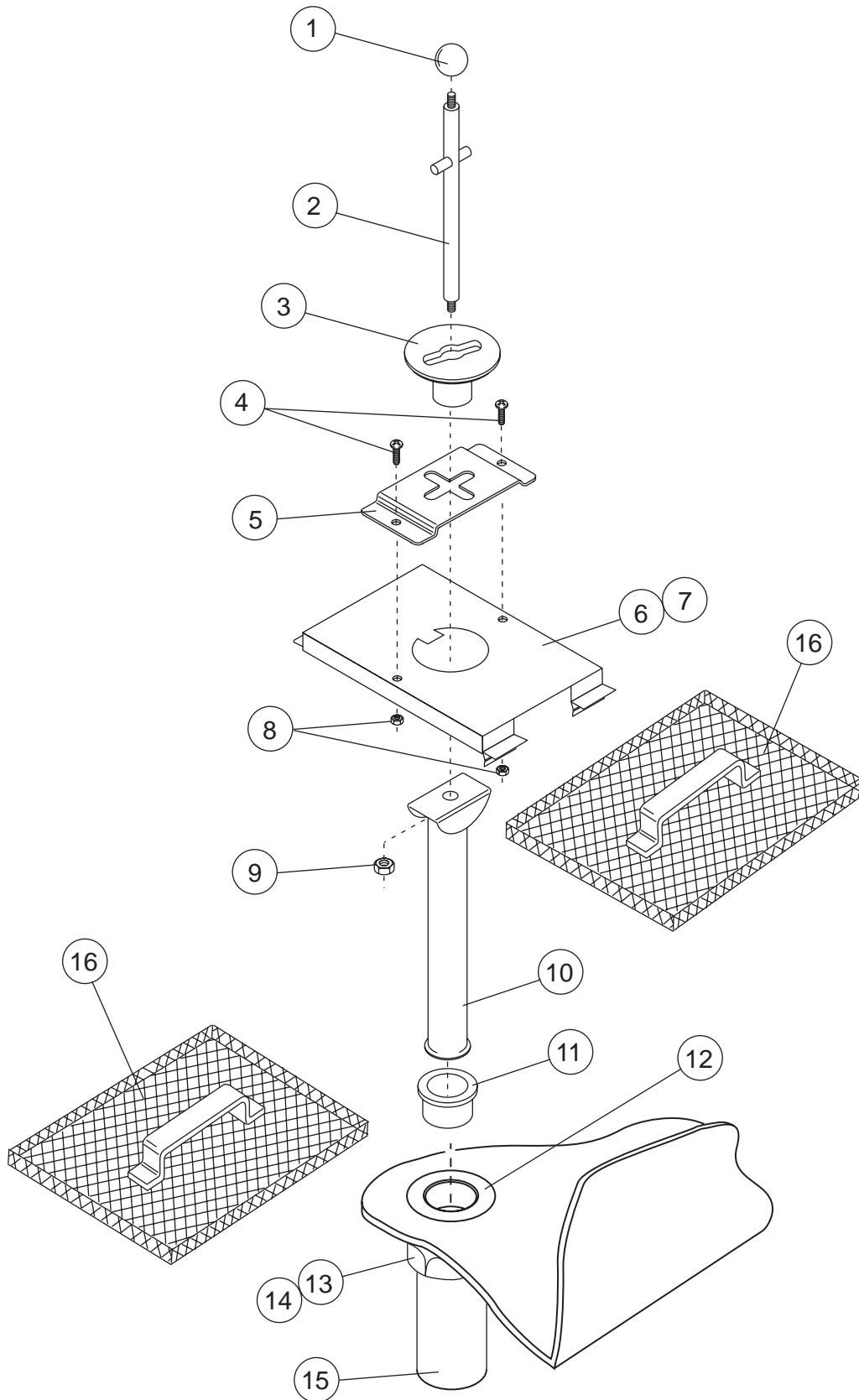


Figure 26 - MH-60/6N/6L  
Drain Assembly and Scrap Screens

**MH-60/6N/6L**  
**DRAIN ASSEMBLY AND SCRAP SCREENS**

<b>Fig. 26</b>	<b>Part</b>	<b>Part Description</b>	<b>Qty.</b>
<b>Item No.</b>	<b>No.</b>		
1	112393	Knob, Drain Lift .....	1
2	112394	Rod Assy., Drain Lift .....	1
3	112392	Guide, Drain Lift .....	1
4	100097	SCREW (10-32 x 1/2" Truss Hd) .....	2
5	322159	Retainer, Overflow .....	1
6	321939	Filler, Drain Plate (Retained By Spring Clip) .....	1
7	322120	Filler, Drain Plate (Retained By Stud and Nut) (Not Shown) .....	1
8	100194	Nut, Grip (10-32 SST) .....	2
9	100141	Nut, Grip (1/4-20 SST) .....	1
10	322006	Tube, Overflow.....	1
11	107680	Seat Rubber, Overflow Tube .....	1
12	205813	Drain Basket, Modified .....	1
13	112044	Slip Nut .....	1
14	112045	Washer, Tailpiece .....	1
15	107473	Tailpiece .....	1
16	305164	Screen, Scrap .....	2

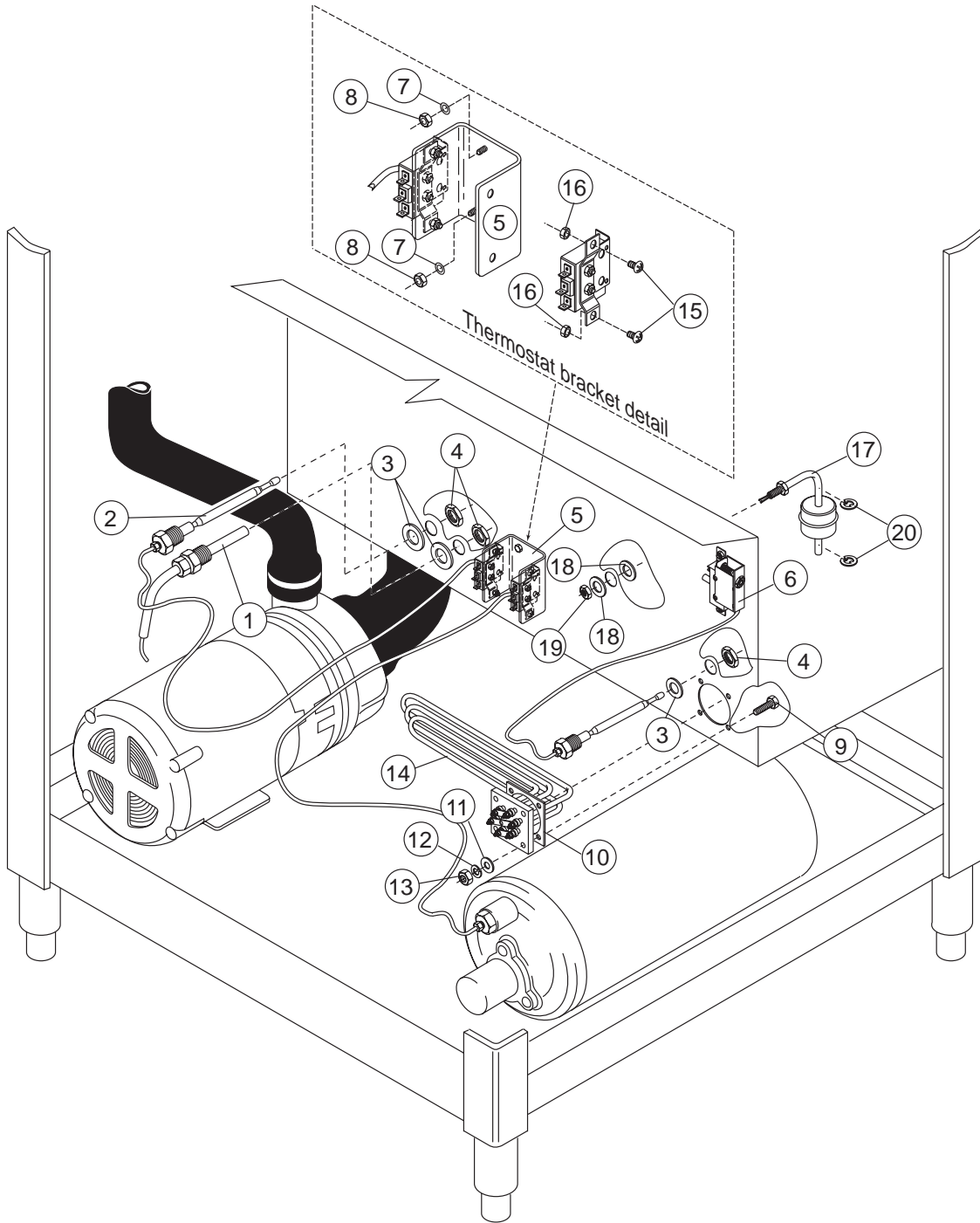


Figure 27 - MH-60/6N/6L  
Wash Tank Heat and Thermostats

**MH-60/6N/6L**  
**WASH TANK HEAT AND THERMOSTATS**

Fig. 27 Item No.	Part No.	Part Description	Qty.
1	113622	Thermometer 4 Ft. Gas Filled (Replaces 108391) .....	1
2	109069	Thermostat W/Cap 110-220°F.....	1
3	201041	Washer .....	3
4	201029	Nut, Lock 1/2" .....	3
5	322076	Dual Thermostat Bracket .....	1
6	110561	Thermostat, Fixed High Limit .....	1
7	106482	Washer, Lock 1/4 Split SST .....	4
8	100003	Nut, Plain 1/4-20 SST .....	4
9	100740	Bolt 5/16-18 x 1 Hex Head .....	4
10	108345	Gasket 3 x 3-1/8 x 2" .....	1
11	102376	Washer 5/16 x 3/4 x 1/16.....	8
12	106013	Washer, Lock 5/16 Split.....	4
13	100154	Nut, Plain 5/16-18 SST .....	4
14	0509637	Heater 3KW 115V/1PH.....	1
	113479	Heater 4.7KW 208-240/380-415V 1/3PH.....	1
	113480	Heater 4.7KW 460V/3PH .....	1
	113481	Heater 4.7KW 575V/3PH .....	1
15	100007	Screw 10-32 X 3/8 Truss Head .....	4
16	107966	Nut, Grip 10-32 W/Nylon Insert .....	4
17	111092	Float Switch .....	1
18	104882	Washer .....	2
19	107089	Nut, Jam 1/2 - 13 .....	1
20	111151	C-Clip Float Switch .....	2

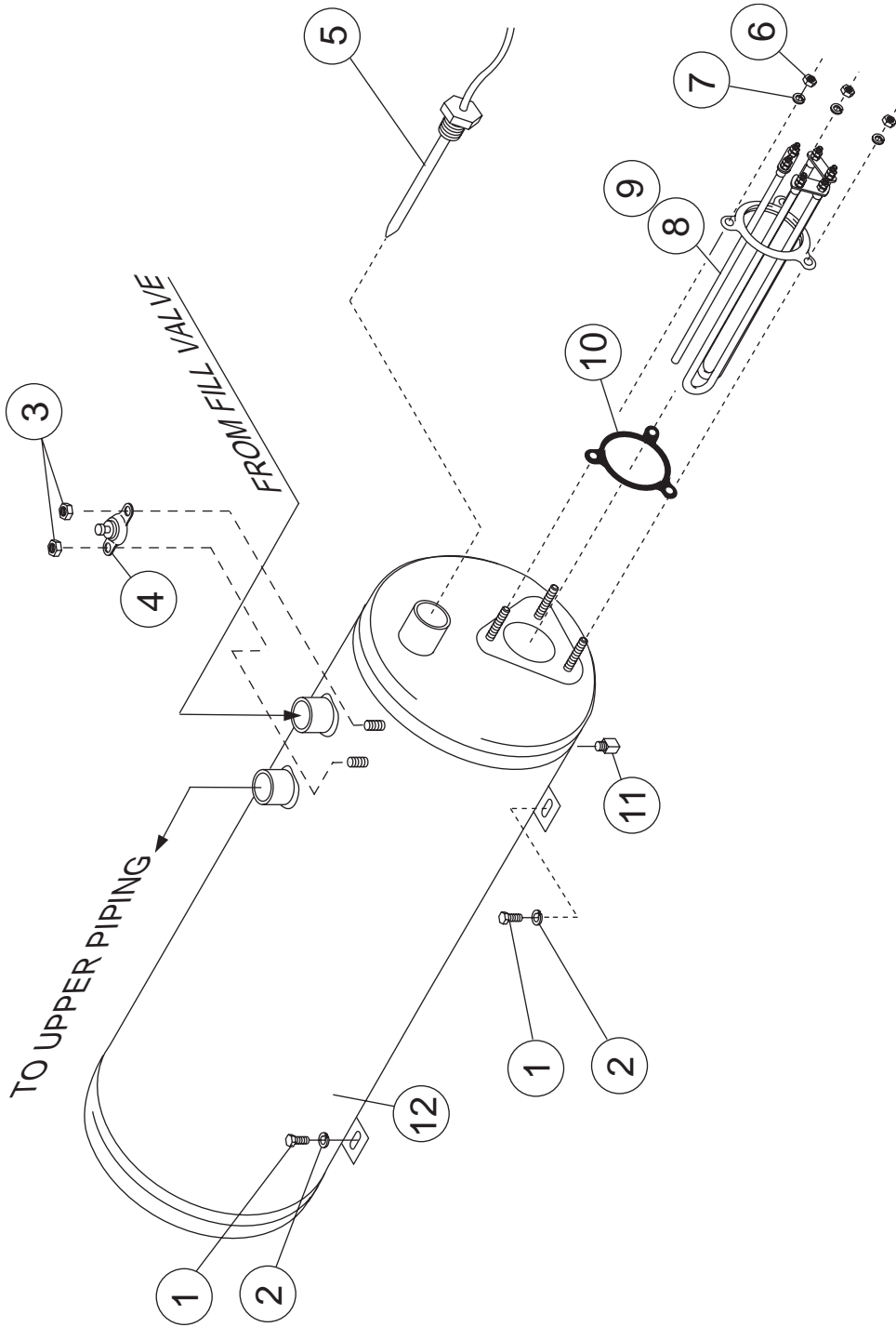


Figure 28- MH-60 Only  
Electric Booster and Thermostats

**MH-60 ONLY**  
**ELECTRIC BOOSTER AND THERMOSTATS**

Fig. 28 Item No.	Part No.	Part Description	Qty.
1	100740	Bolt 5/16-18 x 1 Hex Head .....	2
2	102376	Washer, Flat 5/16 x 3/4 x 1/16.....	2
3	108954	Nut, Grip 6-32 W/Insert.....	2
4	113604	Thermostat, High Limit .....	1
	110563	Compound, Heat Sink .....	A/R
5	109069	Thermostat, Booster.....	1
6	100003	Nut, Plain 1/4-20 SST .....	3
7	106482	Washer, Lock 1/4 Split .....	3
8	111233	Heater 7.5KW 208-240/380-415V, 40° Rise (1 & 3 Phase) .....	1
	108579	Heater 9KW 480V, 40° Rise (3 Phase Only) .....	1
	111122	Heater 9KW 575V, 40° Rise (3 Phase Only).....	1
9	111266	Heater 18KW 208-240/380-415V, 70° Rise (1 & 3 Phase).....	1
	111267	Heater 18KW 480V, 70° Rise (3 Phase Only).....	1
	111600	Heater 18KW 575V, 70° Rise (3 Phase Only) .....	1
10	109985	Seal, Electric Heater .....	1
11	100210	Plug 1/8 SST .....	1
12	0509042	Tank, Booster .....	1

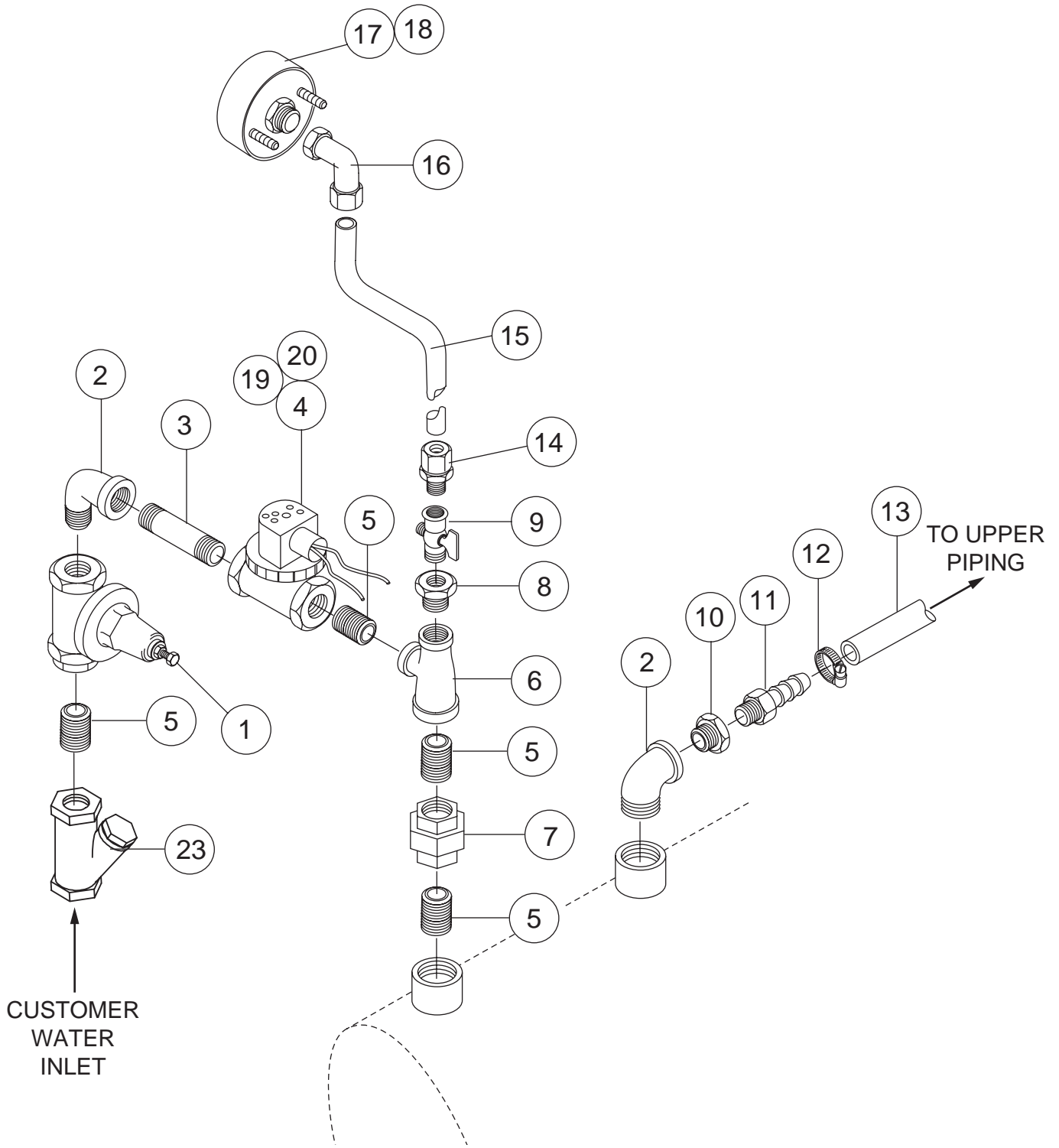


Figure 29 - MH-60 Only  
Lower Fill Piping Assembly

**MH-60 ONLY**  
**LOWER FILL PIPING ASSEMBLY**

Fig. 29 Item No.	Part No.	Part Description	Qty.
1	107550	Valve, Pressure Reducing 3/4" .....	1
2	102444	Street Ell 3/4" NPT Brass .....	2
3	102651	Nipple 3/4" x 2" Brass .....	1
4	111437	Valve 3/4" NPT Hot Water.....	1
5	100184	Nipple 3/4" NPT .....	3
6	102525	Tee 3/4" x 1/2" x 3/4" Brass .....	1
7	100571	Union 3/4" NPT Brass .....	1
8	102388	Bushing Reducer 1/2" x 1/4" Brass .....	1
9	112437	Valve, Needle 1/4" .....	1
10	102392	Bushing Reducer 3/4" x 1/2" Brass .....	1
11	107419	Barb, Hose 1/2 NPT x 1/2 Hose .....	1
12	105994	Clamp, Hose.....	1
13	107417	Hose, 1/2" I.D. ....	9ft.
14	107065	Connector, Male 1/4" O.D. x 1/4 NPT .....	1
15	107928	Tubing, High Density .....	3ft.
16	111100	Elbow, Female 1/4" O.D. x 1/8 NPT .....	1
17	109812	Gauge, Pressure 0-100 PSI .....	1
18	109816	Overlay, Gauge 20-30 PSI .....	1
19	108516	Coil, Solenoid Valve (120V) .....	1
20	109903	Kit, Repair, 3/4" Solenoid Valve .....	1
21	324597	Booster Piping Stabilizer (Not Shown) .....	1
22	324598	Booster Piping Stabilizer Clip (Not Shown) .....	1
23	110768	Strainer, Line 3/4" brass .....	1



Figure 30 - MH-60/6N Only  
Upper Fill Piping Assembly

**MH-60/6N ONLY**  
**UPPER FILL PIPING ASSEMBLY**

Fig. 30 Item No.	Part No.	Part Description	Qty.
1	100156	Locknut 3/4" NPT Brass.....	1
2	100571	Union, 3/4" NPT Brass.....	1
3	102392	Bushing, Reducing 3/4" x 1/2" NPT Brass (Prior to S/N D3699).....	2
3	100171	Bush Red Face 3/4" x 1/2" Brass (After S/N D3700) .....	1
4	100599	Cross, 3/4" NPT Brass .....	1
5	108181	Bushing, Reducing 3/4" x 1/4" NPT Plastic .....	1
6	107463	Plug 1/4" NPT Plastic.....	1
7	102444	Elbow, Street 3/4" x 90 Brass.....	1
8	100184	Nipple, Close 3/4" NPT Brass .....	2
9	104429	Vacuum Breaker 3/4" .....	1
10	107419	Hose Barb 1/2" NPT.....	1
11	105994	Hose Clamp .....	1
12	0309426	Piping Support Bracket.....	1
13	104682	Thermometer 1/2".....	1
14	102489	Nipple 3/4" x 2-1/2" NPT Brass. ....	1
15	102521	Tee 3/4" NPT Brass .....	1
16	102505	Plug 3/4" NPT Brass .....	1
*17	108349	Repair Kit 3/4" Vacuum Breaker (Not Shown) .....	1
*17	113223	Repair Kit 3/4" Vacuum Breaker (Not Shown) (After S/N D3291) .....	1
18	102392	Bushing Reducing 3/4" x 1/2" NPT Brass (After S/N D3700) .....	1

\* Use kit [900837](#) to repair either style (plastic or bronze) vacuum breakers.

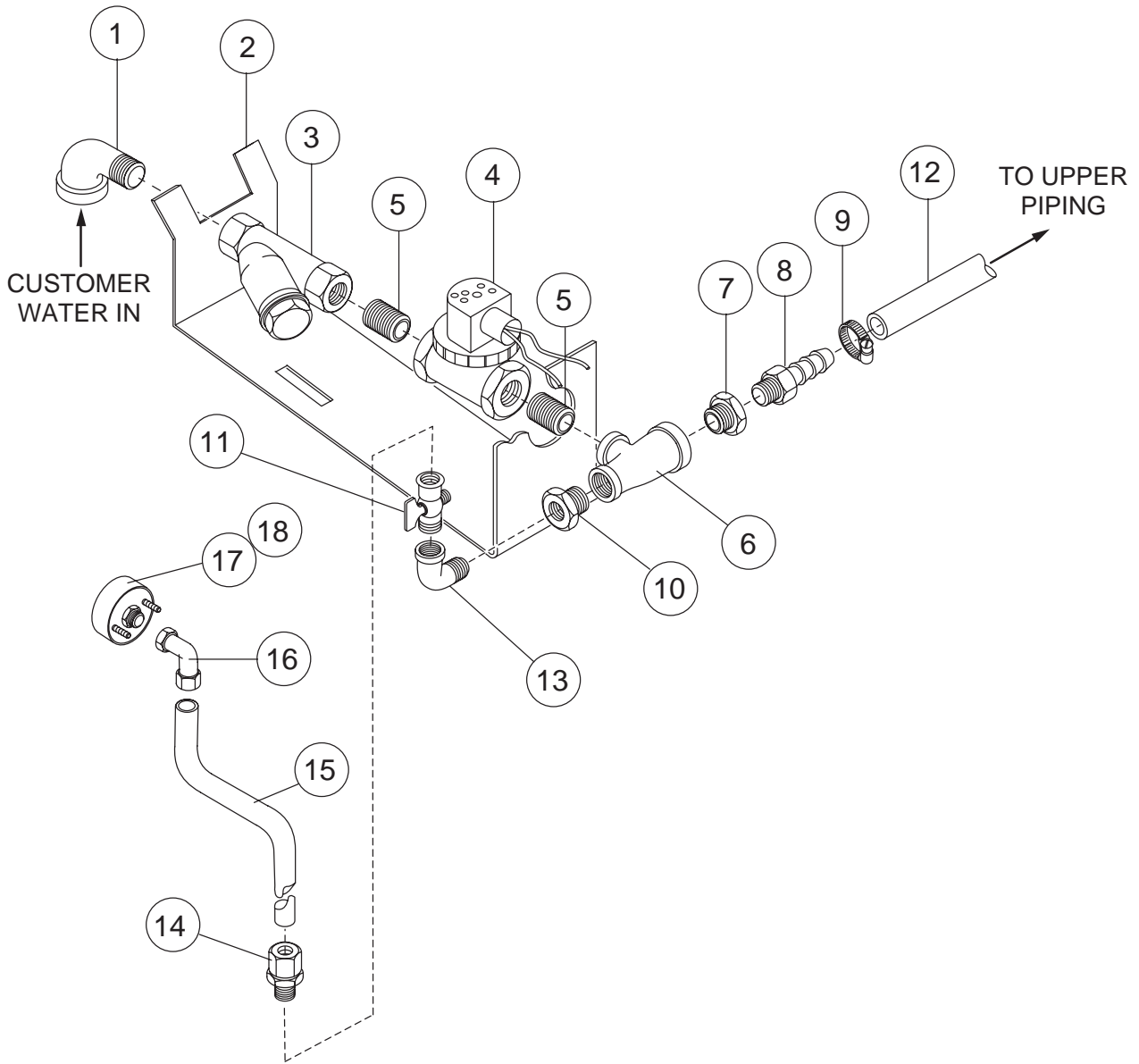


Figure 31 - MH-6N/6L Only  
Lower Fill Piping Assembly

**MH-6N/6L ONLY  
LOWER FILL PIPING ASSEMBLY**

<b>Fig. 31 Item No.</b>	<b>Part No.</b>	<b>Part Description</b>	<b>Qty.</b>
1	102444	Elbow, Street 3/4" NPT Brass .....	1
2	0309340	Plumbing, Support Bracket .....	1
3	110768	Line Strainer 3/4" Brass.....	1
4	111437	Valve, 3/4" NPT.....	1
5	100184	Nipple, Close 3/4" NPT Brass .....	2
6	102525	Tee 3/4" x 1/2" x 3/4" NPT Brass .....	1
7	102392	Bushing, Reducing 3/4" x 1/2" NPT Brass .....	1
8	107419	Hose, Barb 1/2" NPT x 1/2" Hose.....	1
9	105994	Hose Clamp .....	1
10	102388	Bushing, Reducing 1/2" x 1/4" NPT Brass .....	1
11	112437	Needle, Valve 1/4" NPT Brass.....	1
12	107417	Hose 1/2" ID .....	6ft
13	101261	Street, Ell 1/4" NPT Brass .....	1
14	107065	Adapter, 1/4" OD x 1/4" MPT Plastic.....	1
15	107928	Tubing, High Density.....	3ft
16	111100	Elbow, Female 1/4" OD x 1/8" NPT .....	1
17	109812	Gauge, Pressure 0-100 PSI .....	1
18	109765	Overlay, Gauge.....	1
19	109903	Kit, Repair 3/4" Solenoid Valve.....	1

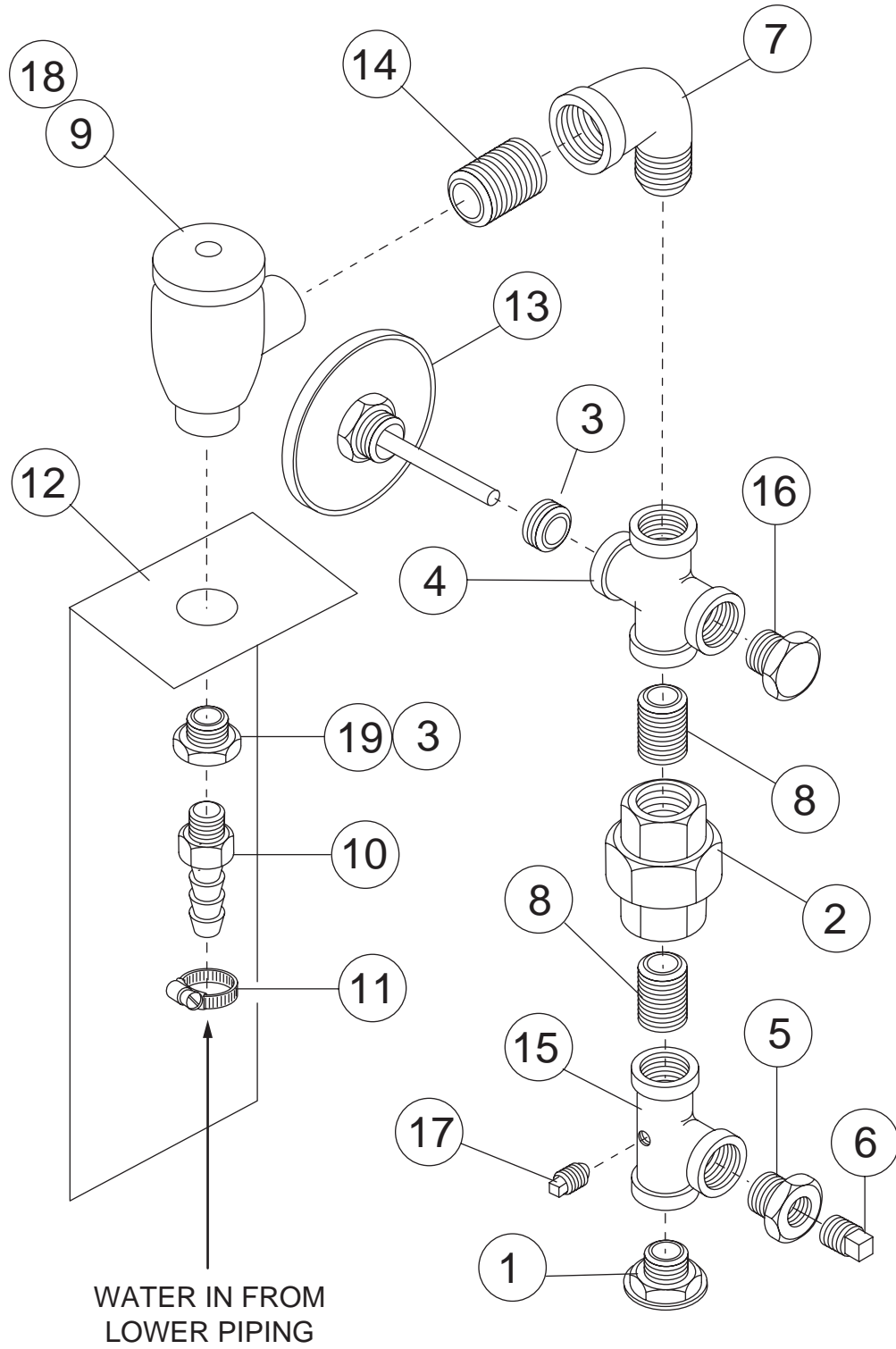


Figure 32 - MH-6L Only  
Upper Fill Piping Assembly

**MH-6L ONLY  
UPPER FILL PIPING ASSEMBLY**

<b>Fig. 32 Item No.</b>	<b>Part No</b>	<b>Part Description</b>	<b>Qty.</b>
1	100548	Locknut 3/4" NPT SST .....	1
2	100571	Union, 3/4" NPT Brass .....	1
3	102392	Bushing, Reducing 3/4 NPT x 1/2" NPT Brass (Prior to S/N D3699) ....	2
3	100171	Bush Red Face 3/4" x 1/2" Brass (After S/N D3700) .....	1
4	100599	Cross 3/4" NPT Brass .....	1
5	108181	Bushing, Reducing 3/4" x 1/4" NPT Plastic .....	1
6	107463	Plug 1/4" NPT Plastic .....	1
7	102444	Elbow, Street 3/4" x 90 Brass .....	1
8	100184	Nipple, Close 3/4" Brass .....	2
9	104429	Vacuum Breaker 3/4" NPT .....	1
10	107419	Hose, Barb 1/2" NPT x 1/2" Hose Brass.....	1
11	105994	Hose Clamp .....	1
12	0309426	Plumbing Support Bracket.....	1
13	104682	Thermometer 1/2" .....	1
14	102489	Nipple 3/4" NPT x 2-1/2" Brass .....	1
15	203183	Tee, 3/4" NPT Modified SST .....	1
16	102505	Plug 3/4" NPT SST .....	1
17	107424	Plug 1/8" NPT Plastic .....	1
*18	108351	Repair Kit 3/4" Vacuum Breaker (Prior to S/N D3290) .....	1
*18	113223	Repair Kit 3/4" Vacuum Breaker (After S/N D3291) .....	1
19	102392	Bushing Reducing 3/4" NPT x 1/2" NPT Brass (After S/N D3700)	1

\* Use kit [900837](#) to repair either style (plastic or bronze) vacuum breaker.

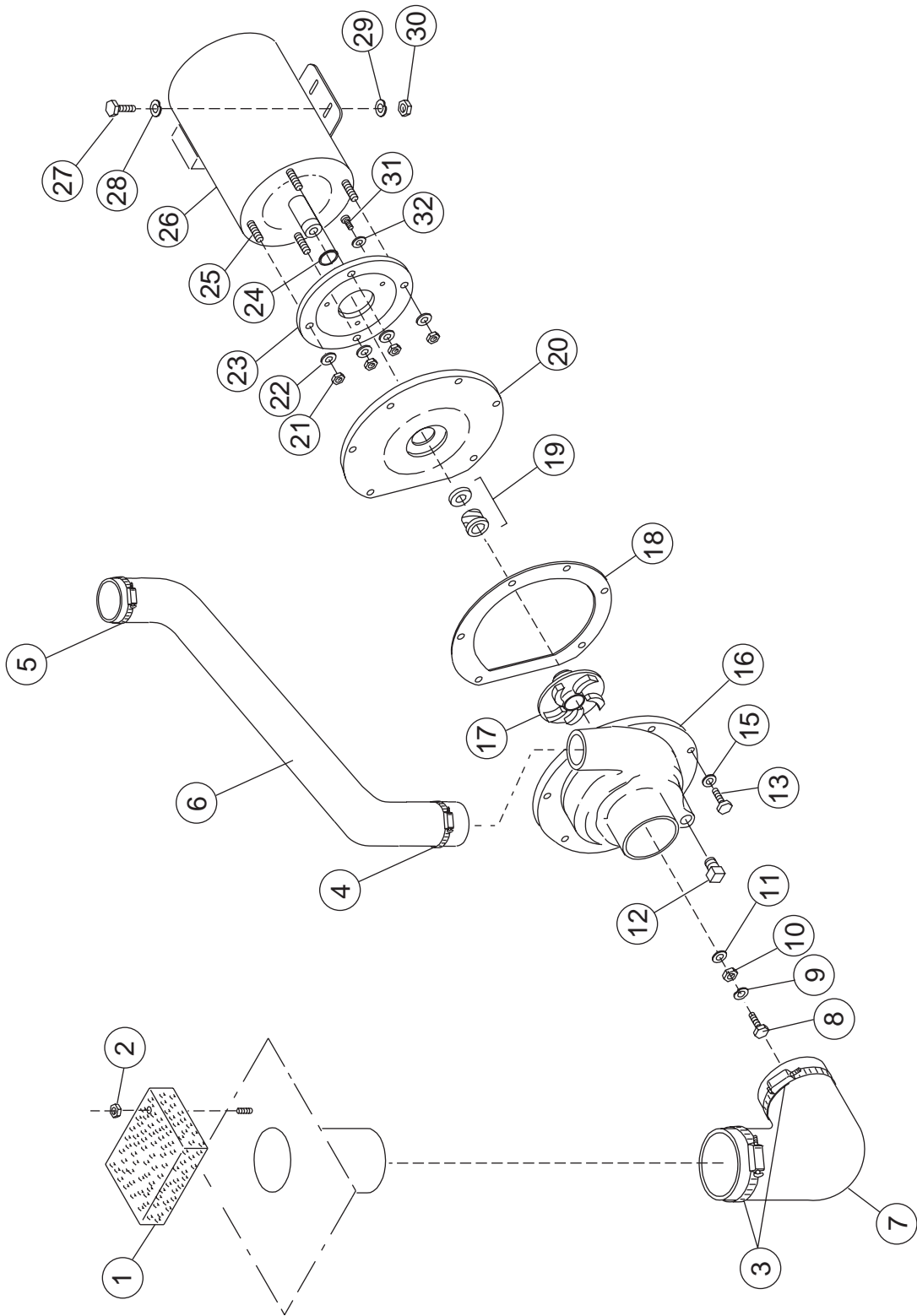


Figure 33 - MH-60/6N/6L  
Pump Assembly

**MH60/6N/6L  
PUMP ASSEMBLY**

Fig. 33 Item No.	Part No.	Part Description	Qty.
1	324580	Strainer .....	1
2	107966	Nut, Grip 10-32 w/Nylon Insert .....	1
3	104203	Clamp, Hose.....	2
4	104165	Clamp, Hose.....	1
5	107340	Clamp, Hose.....	1
6	112383	Hose Pump, Discharge.....	1
7	109562	Hose, Suction .....	1
8	100734	Bolt 1/4-20 x 1/2" Hex Head .....	1
9	106482	Washer, Lock 1/4" Split .....	1
10	110247	Nut, Hex Jam 7/16-20 .....	1
11	110248	Washer, Flat .....	1
12	107463	Plug 1/4" .....	1
13	107137	Bolt 10-32 x 7/8 Hex Head .....	11
14	100194	Nut, Grip (10-32) (Not Shown) .....	11
15	0501505	Washer, Lock Int SST #8.....	11
16	109651	Volute .....	1
17	113248	Impeller, SST .....	1
18	109653	Gasket, O-ring .....	1
19	111111	Pump Seal .....	1
20	109649	Flange Assembly 1HP .....	1
21	107690	Nut, Jam 3/8-16 .....	4
22	106407	Washer, Lock 3/8" Split.....	4
23	109648	Backing Plate .....	1
24	109654	Pump Slinger Washer.....	1
25	110734	Stud 3/8-16 x 1-3/8 .....	4
26	111145	Motor 1.4HP (208-240V/460V/60/3) .....	1
26	111144	Motor 1.4HP (115V/208-240V/60/1) .....	1
26	112163	Motor 1.4HP (115V/208-240V/50/1) .....	1
26	0507708	Motor 1.4HP (575V/60/3) .....	1
27	100739	Bolt 5/16-18 x 3/4 Hex Head.....	4
28	102376	Washer, Flat 5/16 .....	4
29	106013	Washer, Lock 5/16-18 SST .....	4
30	100142	Nut, Grip 5/16-18.....	4
31	100754	Screw, Flat 10-32 x 1/2 .....	4
32	110270	Washer, Countersunk SST .....	4
—	109645	Kit, Pump (Includes 16, 18, 20, 23, 24) .....	1
—	451643	Pump, Motor Assembly Complete 1.4HP (208-240V/460V/60/3PH) .....	1
—	451642	Pump, Motor Assembly Complete 1.4HP (115V/208-240V/60/1PH) .....	1
—	0707549	Pump, Motor Assembly Complete 1.4HP (575V/60/3PH).....	1

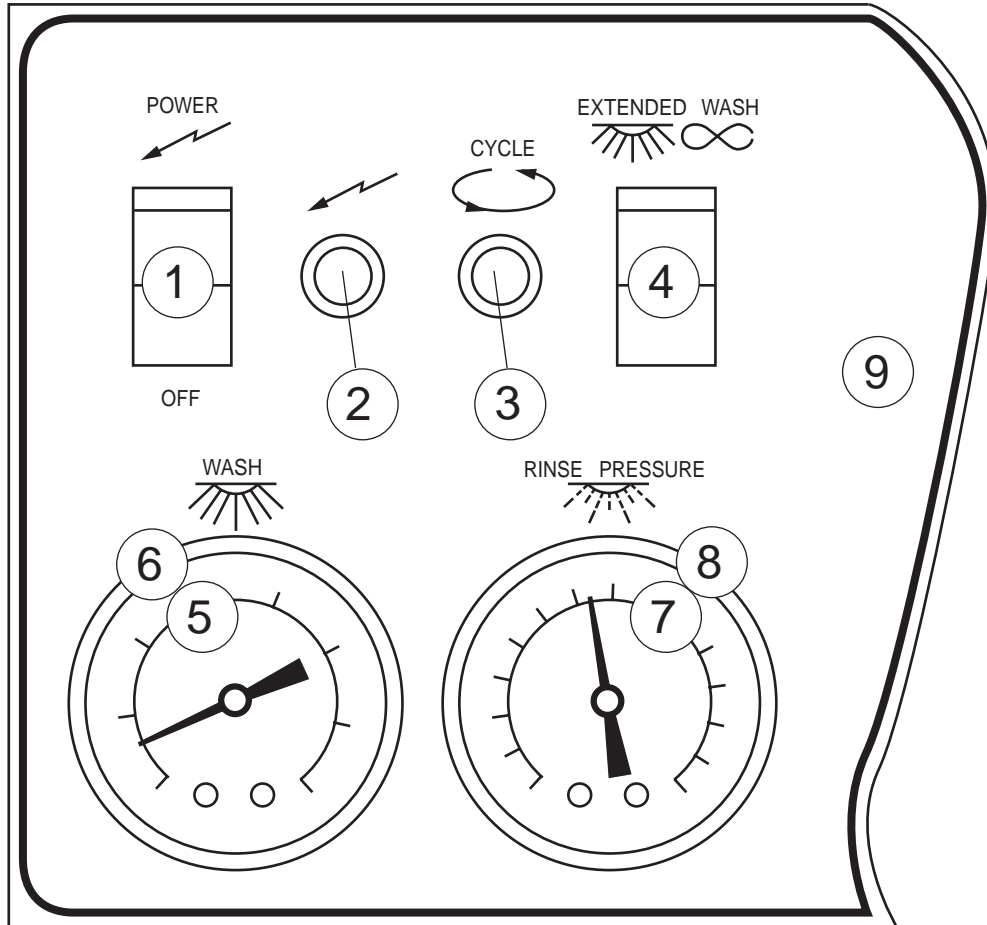


Figure 34 - MH-60/6N/6L  
Control Panel and Gauges

**MH-60/6N/6L  
CONTROL PANEL AND GAUGES**

<b>Fig. 34 Item No.</b>	<b>Part No.</b>	<b>Part Description</b>	<b>Qty.</b>
1	0501361	Switch, On-Off.....	1
2	112390	Lite, Red (Power).....	1
3	112391	Lite, Amber (In-Cycle) .....	1
4	0501361	Switch, Extended Wash .....	1
5	113622	Thermometer, 4 Ft Gas Filled (Replaces 108391) .....	1
6	113662	Overlay, Wash 150°F (MH-60/6N) .....	1
	112093	Overlay, Wash 120°F (MH-6L Only).....	1
7	109812	Gauge, Pressure 0-100 PSI .....	1
8	109816	Overlay, 20-30 PSI.....	1
9	112388	Decal, Control Panel .....	1

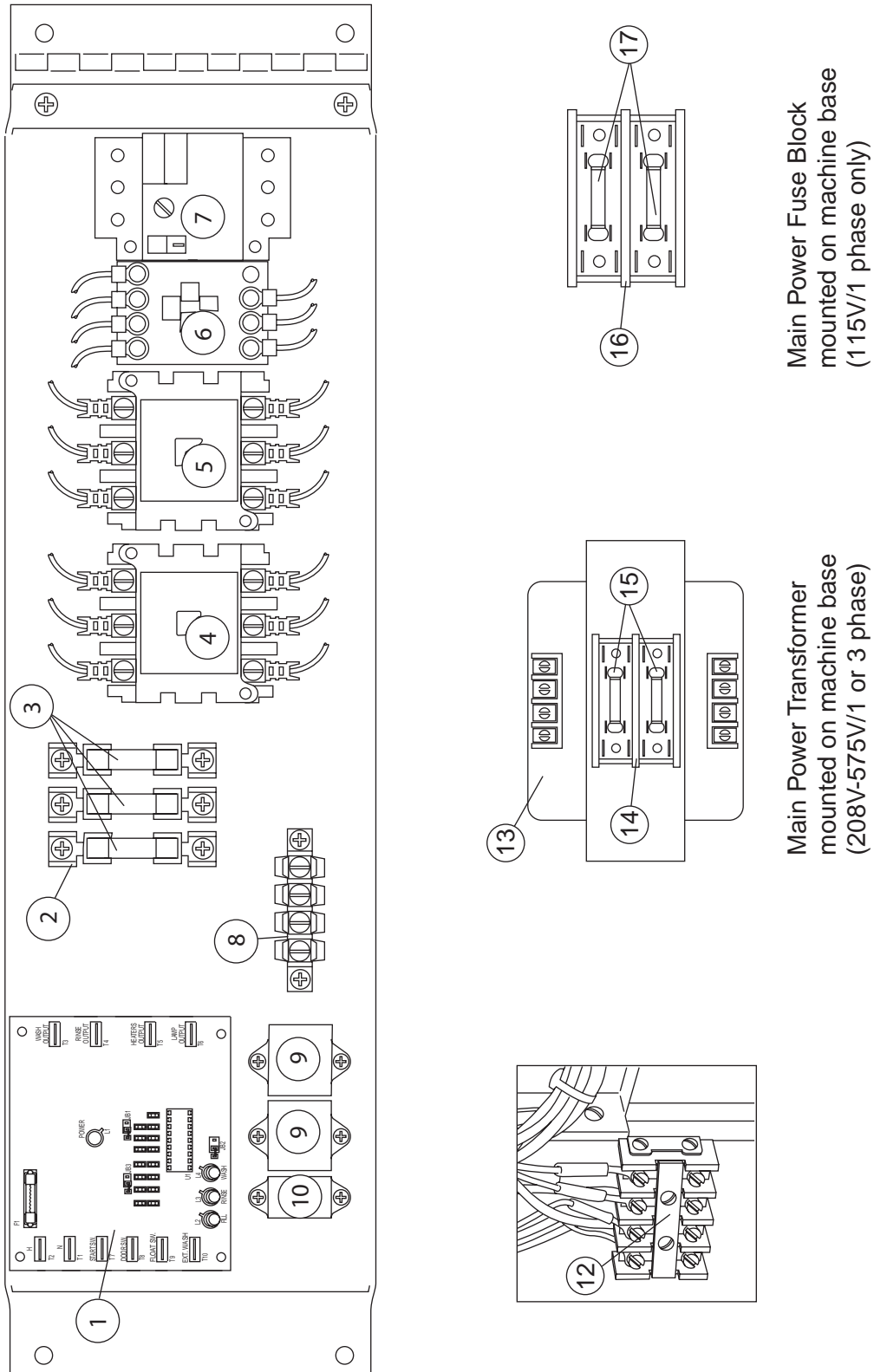
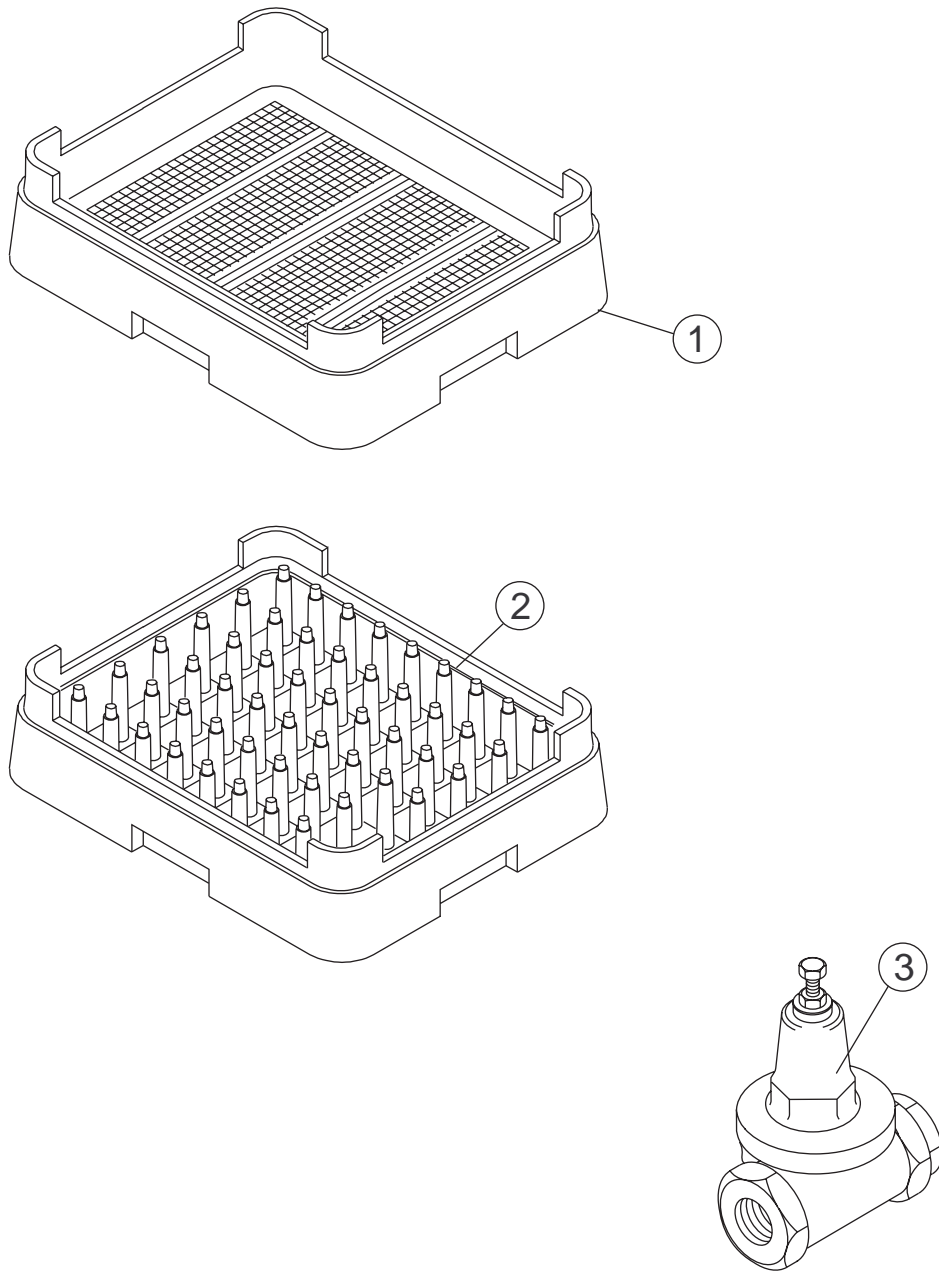


Figure 35 - MH-60/6N/6L  
Control Cabinet

**MH-60/6N/6L  
CONTROL CABINET**

Fig. 35 Item No.	Part No.	Part Description	Qty.
1	900911	Kit* DM Board & Instructions (Prior to S/N D3857).....	1
	113597	Timer Board (MH-60, MH-6N only) (After S/N D3858) .....	1
2	106925	Block, Fuse (30A, 3 Pole) .....	1
3	100922	Fuse, 20A (MH60) 208-240V/3 .....	3
3	100913	Fuse, 10A (ALL) 480V/3 .....	3
3	100913	Fuse, 10A (ALL) 380-415V/3 .....	3
3	100913	Fuse, 10A (ALL) 575V/3 .....	3
3	100929	Fuse, 30A (MH6L, 6N) 115V/1 .....	2
3	100929	Fuse, 30A (MH6L, 6N) 208V/1 .....	2
4	111924	Contactor, Booster Heater (40A, 3 Pole) (MH60 Only) .....	1
5	111904	Contactor, Wash Tank Heater (40A, 3 Pole) (ALL) .....	1
5	111702	Contactor, Wash Tank Heater (50A, 3 Pole) (MH6N).....	1
6	108122	Contactor, 1.4HP Wash Motor (12A, 3 Pole) (All Models) .....	1
7	110806	1.4HP Wash (MH60, MH6Ns) 208-240V/3 Starter, Mtr OL GV2-M10 w/Aux.....	1
7	110804	1.4HP Wash (All Models) 480V/3 Starter, Mtr OL GV2-M08 w/Aux.....	1
7	110805	1.4HP Wash (All Models) 380-415V/3 Starter, Mtr OL GV2-M08 w/Aux.....	1
7	112626	Overload, Motor 1.4HP Wash (All Models) 575V/3 .....	1
7	111632	Overload, Motor 1.4HP Wash (MH6L, 6N) 115V/1 .....	1
7	111632	Overload, Motor 1.4HP Wash (ALL) 208-240V/1 .....	1
8	107366	Board, Terminal .....	1
9	112382	Relay (3PDT, 10A, 120VAC Coil).....	2
10	111068	Relay (2PDT, 10A, 120VAC Coil).....	1
11	0509564	Label, Chemical Connections (Not Shown) .....	1
12	111833	Block, Terminal (3 Pole) (Main Power).....	1
13	109064	Transformer (208-240/1 & 3, 480/3).....	1
13	111464	Transformer (380-415V/3PH) .....	1
13	111521	Transformer (575V/3PH).....	1
14	112424	Kit, Fuse Block (2 Pole) (208-240V/1-3PH, 380-415V/3PH, 480V/3PH, 575V/3PH) .....	1
15	112484	Fuse, 1.5A, 600V (ATDR) 208-240V/1-3PH .....	2
15	112888	Fuse, 1.8A, 600V (ATDR) 380-415V/3PH .....	2
15	112887	Fuse, .5A, 600V (ATDR) 480V/3PH.....	2
15	112887	Fuse, .5A, 600V (ATDR) 575V/3PH.....	2
16	106402	Block, Fuse (2 Pole) (115V Only).....	1
17	107289	Fuse, 2.5A, 250V (ATDR) 115V Only .....	2
—	103310	Wire Lug, Ground (Not Shown) .....	1



**Figure 36 -  
Dishracks and PRV**

**DISHRACKS AND PRV**

<b>Fig. 36 Item No.</b>	<b>Part No.</b>	<b>Part Description</b>	<b>Qty.</b>
1	101273	Rack (Flat Bottom) .....	1
2	101285	Rack (Peg) .....	1
3	112387	Line Strainer/PRV Combo .....	1

---

**THIS PAGE  
INTENTIONALLY  
LEFT BLANK**

---

# **ELECTRICAL SCHEMATICS**

NOTE 1: IF SUPPLY IS 115V, T1 IS NOT USED. WIRES #1 AND 2 ARE CONNECTED TO THE FUSE BLOCK IN PLACE OF #39 AND 40.

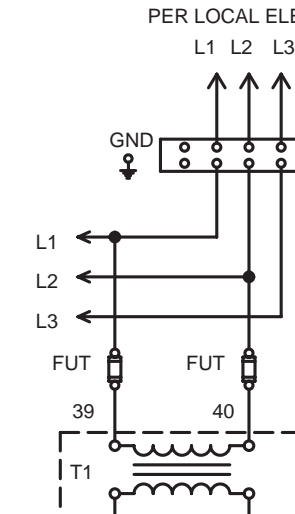
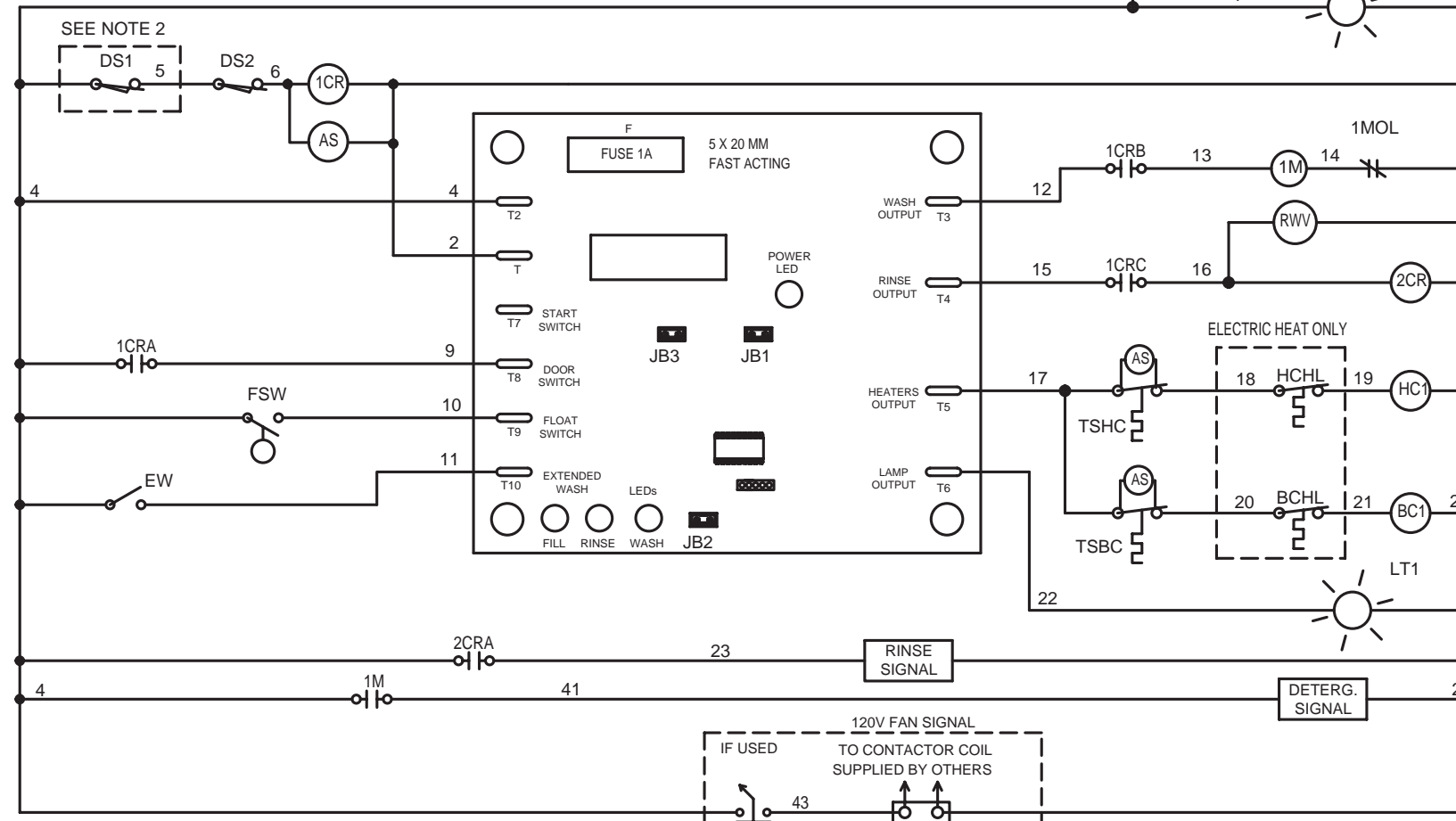
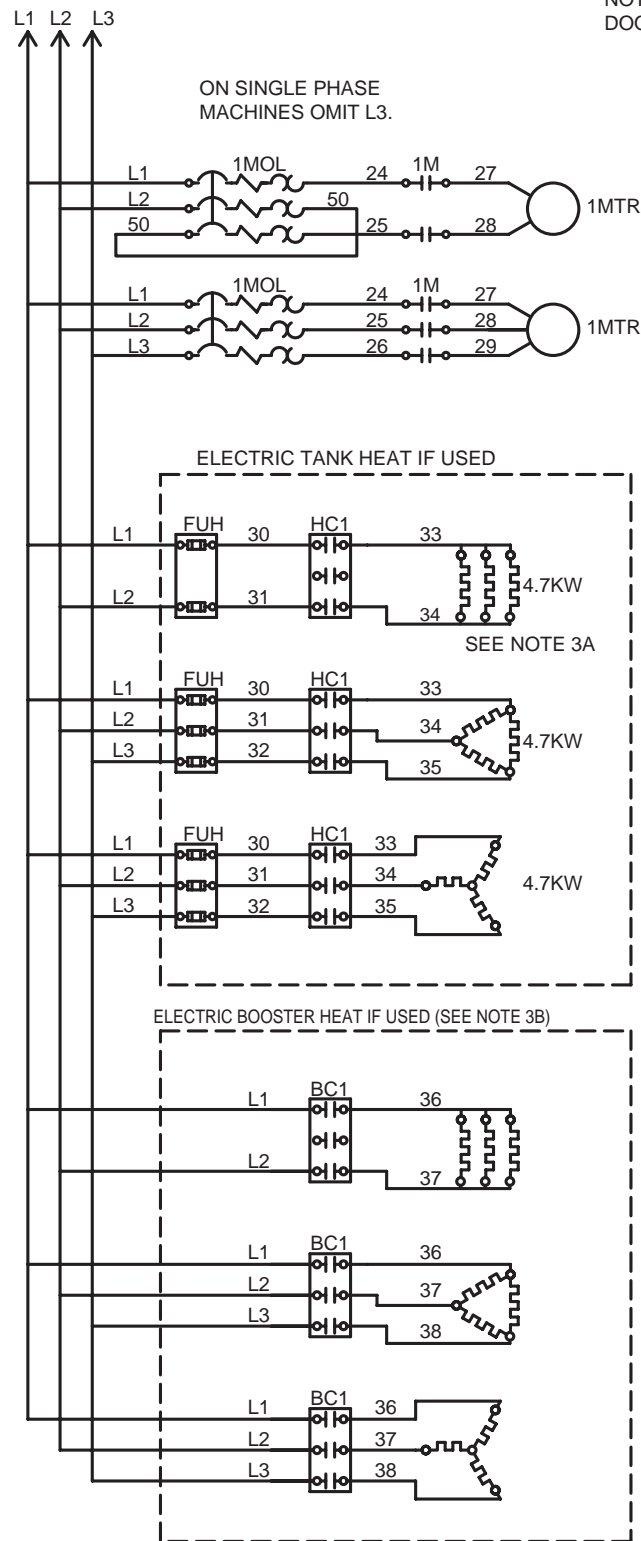
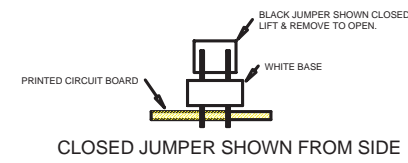
NOTE 2: USED ON MACHINES WITH INDEPENDENT FRONT DOOR OPTION.

NOTE 3:

A: ON 115V MACHINES THE WASH TANK HEATER IS 3 KW.  
 B: THE KW RATING OF THE BOOSTER ELEMENT IS DEPENDENT UPON THE VOLTAGE AND DEGREE RISE OF THE SYSTEM. SINGLE PHASE MACHINES W/ ELEC. BOOSTER ARE 40° RISE ONLY. 40° RISE UNITS USE 7.5/10 OR 9 KW ELEMENTS. 70° RISE UNITS USE 13.5/18 OR 17.7 KW ELEMENTS.

**! ATTENTION - VERY IMPORTANT ! - VERIFY CIRCUIT BOARD PART NUMBER AND JUMPER POSITION SETTINGS (JB1, JB2, JB3) PER MACHINE MODEL AND SERIAL NUMBER AS INDICATED IN TABLE BELOW. IMPROPER JUMPER SETTINGS MAY CAUSE ERRATIC OPERATION.**

MODEL	MACHINE SERIAL NUMBER	BOARD PART NUMBER	JUMPER SETTINGS		
			JB1	JB2	JB3
MH6N, MH6O	UP TO D3857	112676 REVC	OPEN	OPEN	CLOSED
MH6N, MH6O	D3858 - UP	113597 REVG	CLOSED	OPEN	CLOSED
MH6L	ALL	113597 REVG	OPEN	OPEN	CLOSED



1CR	DOOR SWITCH RELAY
2CR	RINSE AID SIGNAL RELAY
1M	WASH MOTOR CONTACTOR
1MOL	WASH MOTOR OVERLOAD
1MTR	WASH MOTOR
AS	ARC SUPPRESSOR
BC1	BOOSTER TANK CONTACTOR OR STEAM VALVE
BCHL	BOOSTER TANK HIGH LIMIT
DS1	DOOR SAFETY SWITCH, FRONT DOOR
DS2	DOOR SAFETY SWITCH, SIDE DOORS
EW	EXTENDED WASH SWITCH
F1	TIMER BOARD FUSE
FSW	FLOAT SWITCH
FUH	TANK HEAT FUSES
FUT	TRANSFORMER FUSES
HC1	TANK HEAT CONTACTOR OR STEAM VALVE
HCHL	TANK HEAT HIGH LIMIT
JB1	RINSE TIME SELECT JUMPER
JB2	CYCLE SELECT JUMPER
JB3	CYCLE SELECT JUMPER
LT1	POWER ON LIGHT
LT2	CYCLE LIGHT
MPS	MAIN POWER SWITCH
RWV	RINSE WATER VALVE
T1	LINE:120V TRANSFORMER
TSBC	BOOSTER TANK THERMOSTAT
TSHC	WASH TANK THERMOSTAT

TO TEST INPUTS T7, T8, T9, AND T10 A METER CAPABLE OF READING DC VOLTAGES MUST BE USED.

- 1.) SET METER TO READ DC VOLTAGE
- 2.) PLACE BLACK LEAD TO T2
- 3.) PLACE RED LEAD TO TERMINAL BEING TESTED  
i.e. PLACE RED LEAD TO T8 TO TEST DOOR SW.
- 4.) AN OPEN SWITCH WILL READ 4.7-5.3VDC  
A CLOSED SWITCH WILL READ 0-1VDC

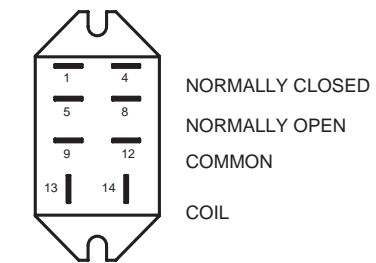


DIAGRAM STATE  
 POWER OFF  
 DOORS CLOSED  
 TANKS EMPTY  
 END OF CYCLE

CUSTOMER TO SUPPLY RATED VOLTAGE/PHASE/Hz, AS SPECIFIED PER ORDER, TO DISCONNECT SWITCH. ALL POWER SUPPLIED TO EACH CONNECTION POINT MUST COMPLY WITH ALL LOCAL ELECTRIC CODES.			
DR.BY	J.NEWTON	SCALE	NONE
DATE	20MAY99	SHEET	1 OF 1

REV.	DESCRIPTION	DATE	BY
G	ADDED ACR SUPPRESSORS	17MAR03	JAM
B	ADDED TROUBLESHOOTING REFERENCES	4NOV99	JCN
C	REDRAWN MAIN POWER SWITCH	7MAR00	JCN

REV.	DESCRIPTION	DATE	BY
H	CORRECTED JB1 SETTING, CLOSED SETTING WAS OPEN	2/3/04	WB
G	ADD ARC SUPPRESSOR TO 1CR	04MAR03	JAM
E	REVISED SINGLE PHASE MOTOR OVERLOAD AND TANK HEAT HI LIMIT	9AUG00	JCN
D	CHANGED TANK HEATER KW	30AUG02	WB
F	ADD JUMPER / SN INFORMATION.	1 NOV02	MJM



MH-6/0/L/N-E ELECTRONIC CONTROL STEAM/ELECTRIC - 1 & 3 PHASE		
B	701602	REV. H