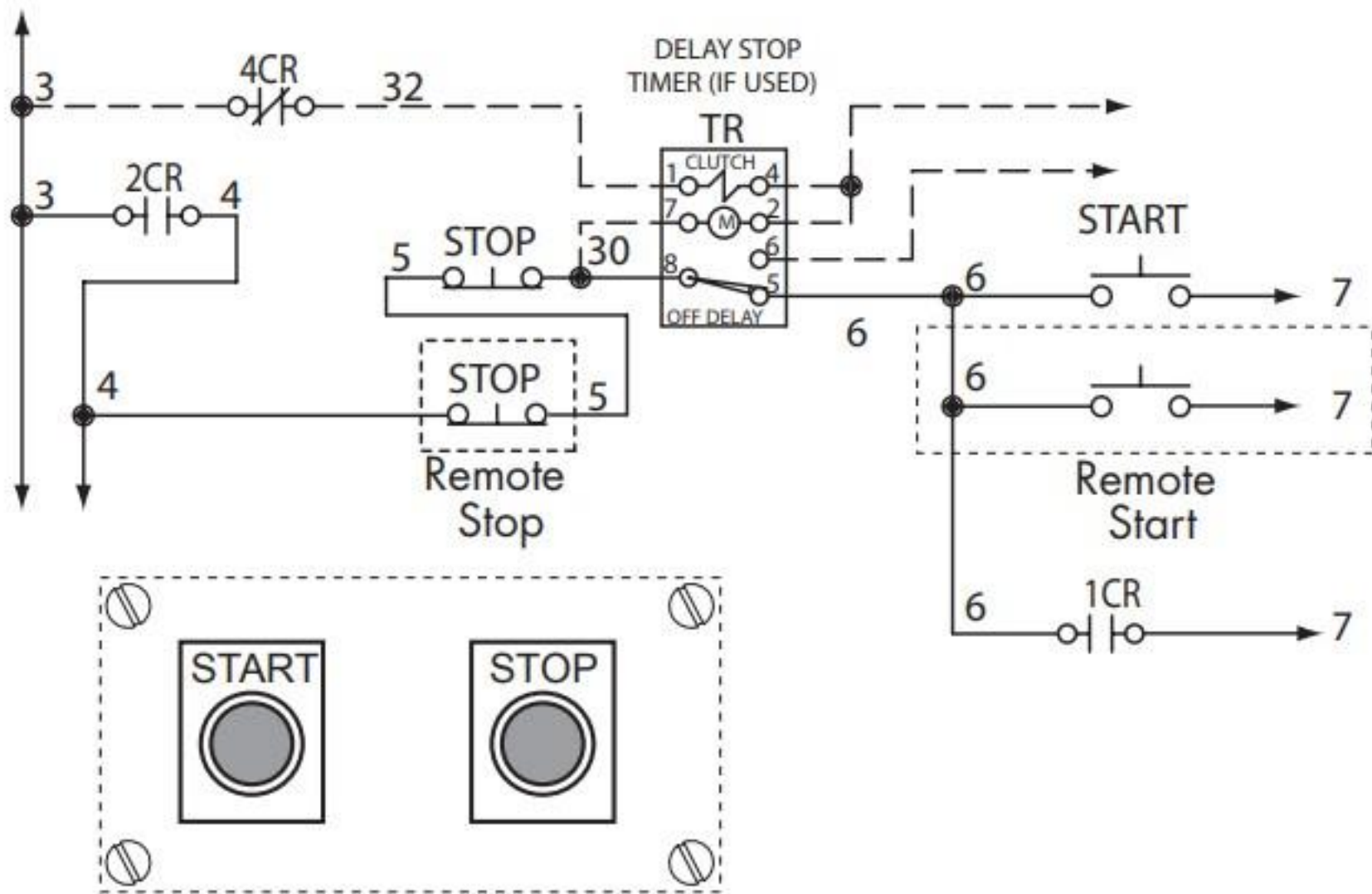
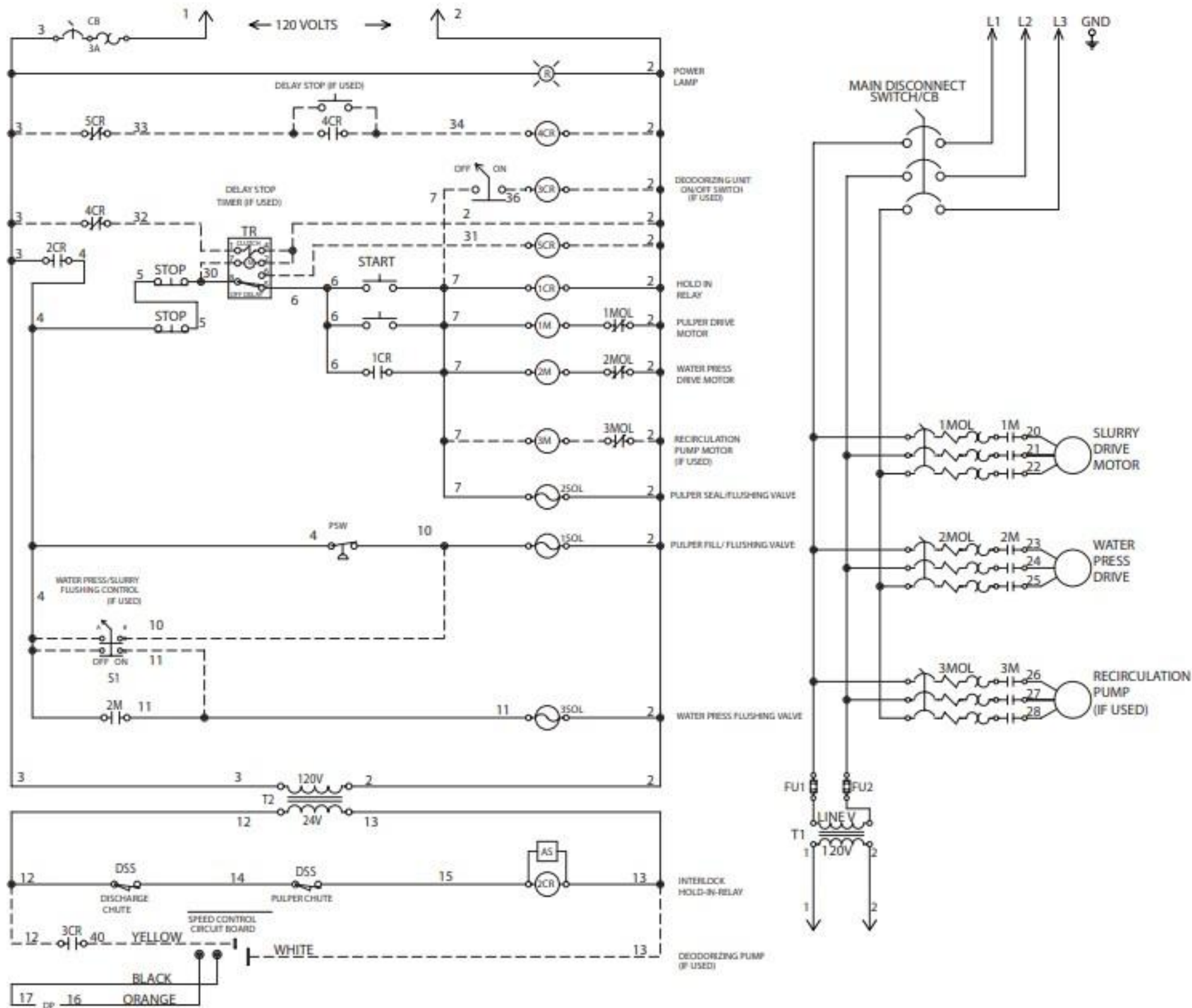


Remote Start/Stop Station Wiring Diagram





1CR	HOLD-IN RELAY
2CR	DOOR INTERLOCK RELAY
3CR	DEODORIZING UNIT RELAY
4CR	DELAY STOP RELAY
5CR	DELAY STOP HOLD IN RELAY
7CR	BOOSTER HEAT HOLD-IN RELAY
1M	PULPER DRIVE MOTOR CONTACTOR
1MOL	PULPER DRIVE MOTOR OVERLOAD
2M	WATER PRESS MOTOR CONTACTOR
2MOL	WATER PRESS MOTOR OVERLOAD
3M	RECIRCULATION MOTOR CONTACTOR
3MOL	RECIRCULATION MOTOR OVERLOAD
1SOL	PULPER FILL/FLUSHING VALVE
2SOL	SEAL FLUSHING VALVE
3SOL	WATER PRESS FLUSHING VALVE
AS	ARC SUPPRESSOR
CB	CIRCUIT BREAKER
DP	DEODORIZING PUMP
DSS	DOOR SAFETY SWITCH
FU	FUSE/FUSE BLOCK
PSW	PRESSURE SWITCH
S1	WATER PRESS/SLURRY FLUSH SW.
T1	120V CONTROL TRANSFORMER
T2	24V CONTROL TRANSFORMER
TR	DELAY STOP TIMER

