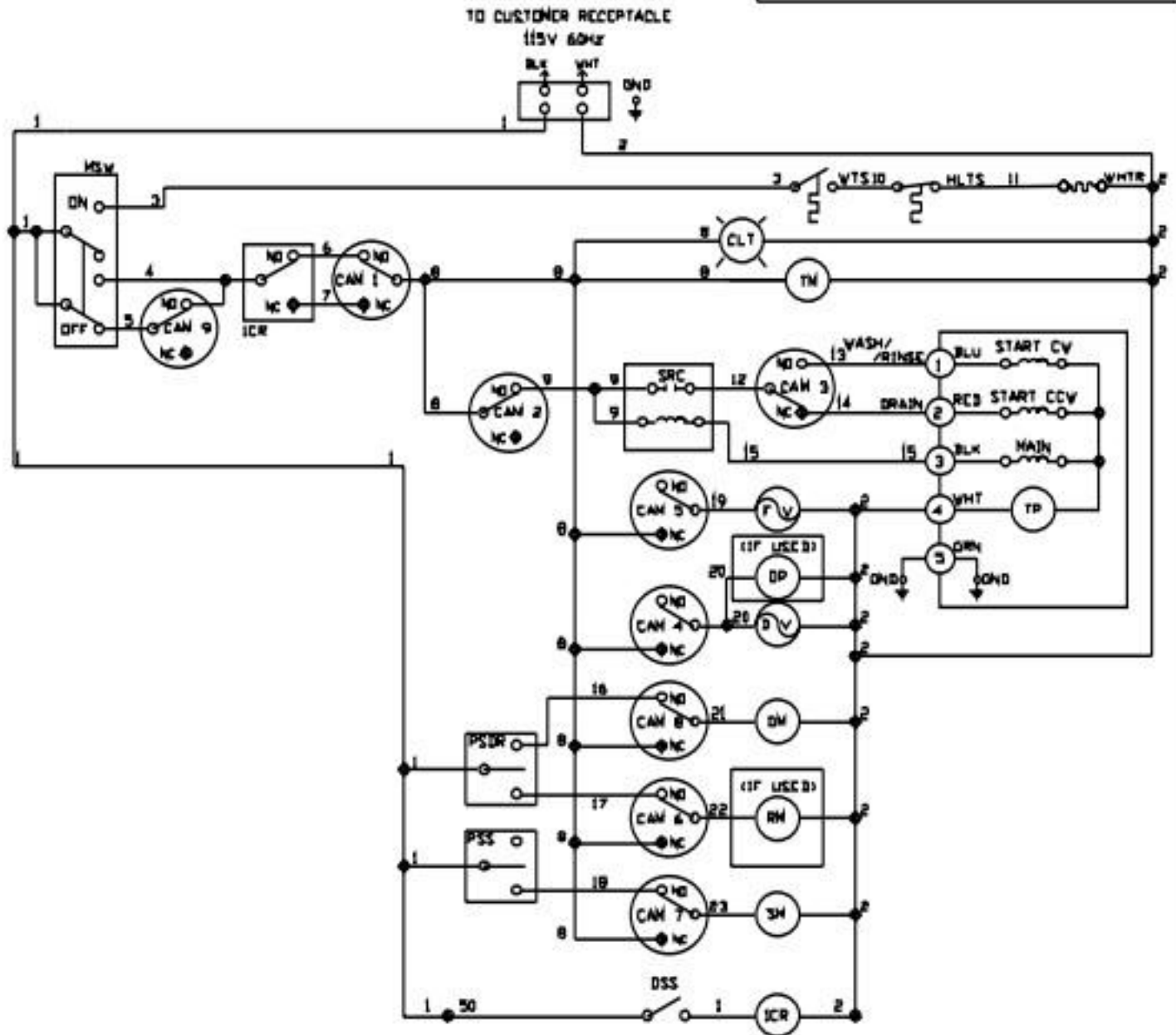


| | | | | | |
|-------|----------------------|------|-------------------------------|------|-----------------------------------|
| BHTR | BOOSTER HEATER | CT | CONTACTOR | PSDR | PRIME SWITCH DETERGENT, RINSE |
| BLK | BLACK | CTC | CONTACTOR COIL | 1CR | RELAY |
| BLU | BLUE | DM | DETERGENT MOTOR | RM | RINSE MOTOR (IF USED) |
| CAM 1 | HOMING | DP | DRAIN PUMP (IF USED) | SRC | CURRENT OPERATED START RELAY COIL |
| CAM 2 | PUMP MOTOR | DSS | DOOR SAFETY SWITCH | SS | SERVICE SWITCH |
| CAM 3 | PUMP MOTOR REVERSING | DV | DRAIN VALVE | TM | TIMER MOTOR |
| CAM 4 | DRAIN | EC/D | EXTENDED CYCLE/DELIME | TP | THERMAL PROTECTOR |
| CAM 5 | FILL | FV | FILL VALVE | WHT | WHITE |
| CAM 6 | RINSE | GND | GROUND | WHTR | WATER HEATER |
| CAM 7 | DETERGENT | GRN | GREEN | WTS | WATER THERMOSTAT |
| CAM 8 | CYCLE | HLTS | HIGH LIMIT THERMOSTAT | | |
| CLT | CYCLE ON LIGHT | MSW | MAIN SWITCH ON/FILL OFF/DRAIN | | |

CUSTOMER TO SUPPLY RATED VOLTAGE/PHASE/HZ, AS SPECIFIED PER ORDER. TO DISCONNECT SWITCH. ALL POWER SUPPLIED TO EACH CONNECTION POINT MUST COMPLY WITH ALL LOCAL ELECTRICAL CODES.

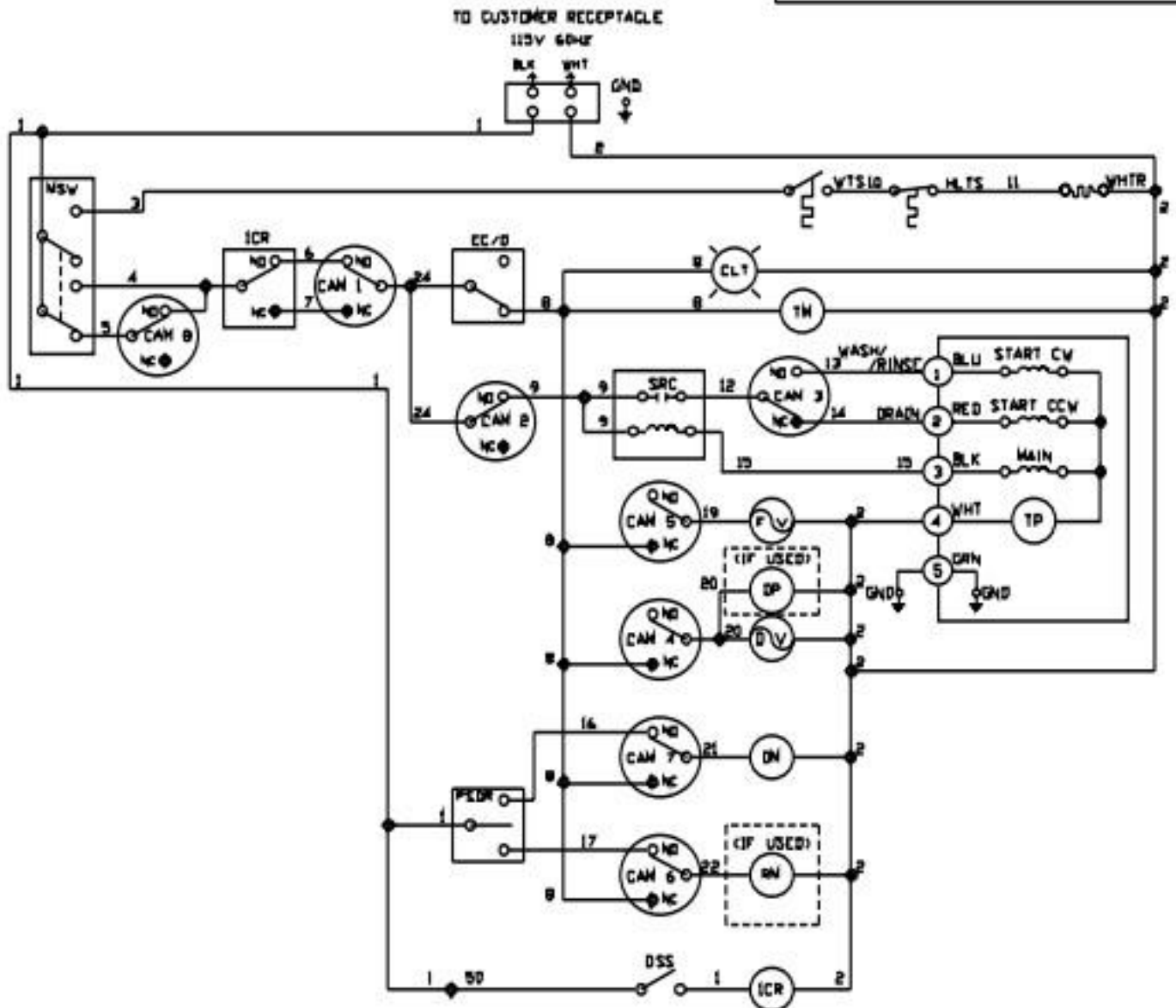


| | | | | | |
|-------|----------------------|------|-------------------------------|------|------------------------|
| BLK | BLACK | CLT | CYCLE ON LIGHT | PSS | PRIME SWITCH SANITIZER |
| BLU | BLUE | DM | DETERGENT MOTOR | ICR | RELAY |
| CAM 1 | HONING | DP | DRAIN PUMP (IF USED) | DSS | REED SWITCH |
| CAM 2 | PUMP MOTOR | RL | RELAY | RM | RINSE MOTOR (IF USED) |
| CAM 3 | PUMP MOTOR REVERSING | DV | DRAIN VALVE | SM | SANITIZER MOTOR |
| CAM 4 | DRAIN | FV | FILL VALVE | TM | TIMER MOTOR |
| CAM 5 | FILL | GND | GROUND | TP | THERMAL PROTECTOR |
| CAM 6 | RINSE | ORN | GREEN | WHT | WHITE |
| CAM 7 | SANITIZER | HTLS | HIGH LIMIT THERMOSTAT | WHTR | WATER HEATER |
| CAM 8 | DETERGENT | MSW | MAIN SWITCH ON/FILL OFF/DRAIN | VTS | WATER THERMOSTAT |
| CAM 9 | CYCLE | PSDR | PRIME SWITCH DETERGENT, RINSE | | |

| | | | |
|------|-------|----------|------------|
| HEAT | MODEL | DATE | NUMBER/REV |
| ELEC | | 11/10/97 | 0508586 E |

Figure 16 - Electrical Diagram, UL-150

CUSTOMER TO SUPPLY RATED VOLTAGE/PHASE/Hz. AS SPECIFIED PER ORDER, TO DISCONNECT SWITCH. ALL POWER SUPPLIED TO EACH CONNECTION POINT MUST COMPLY WITH ALL LOCAL ELECTRICAL CODES.

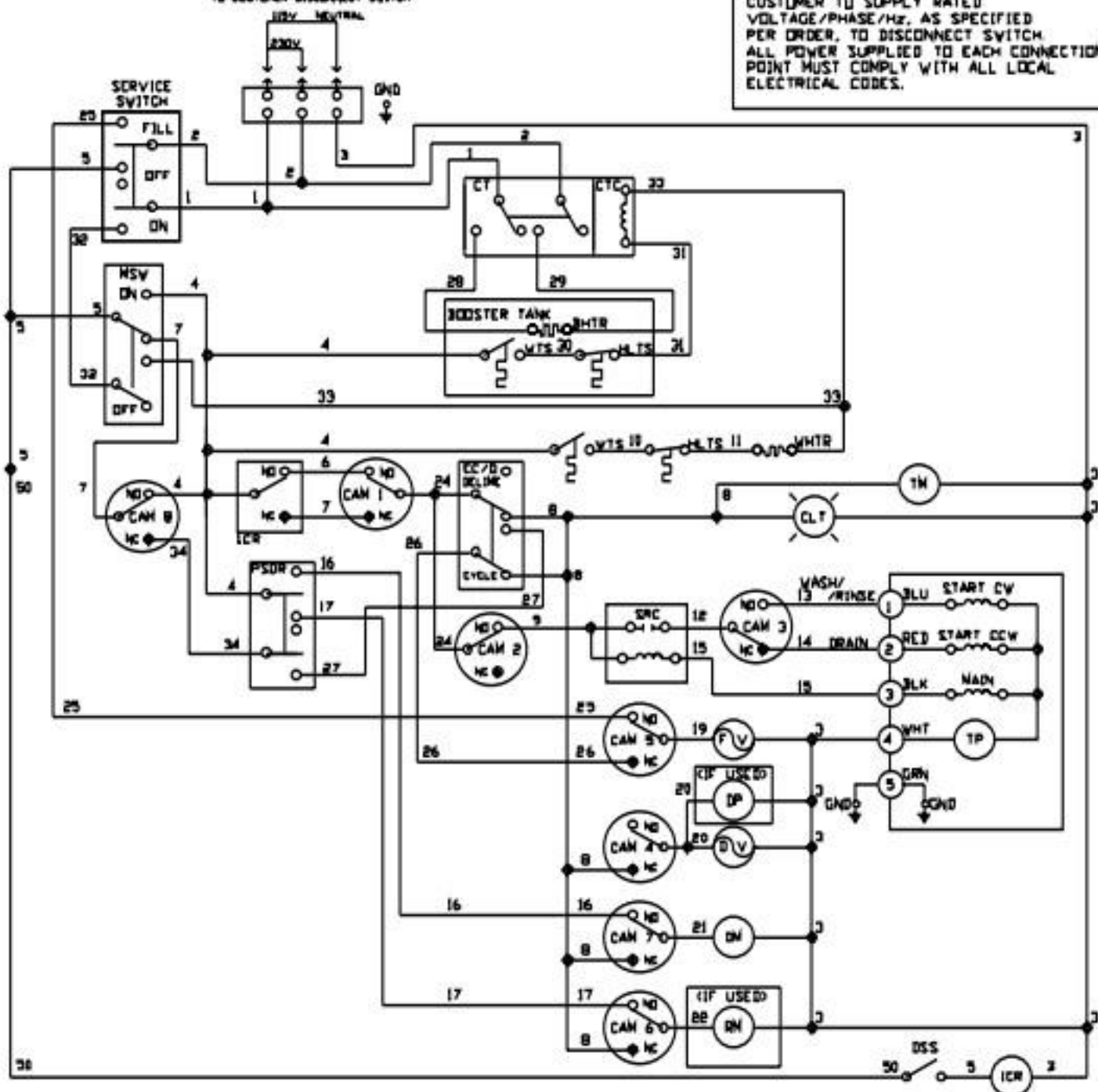


| | | | | | |
|-------|----------------------|------|-------------------------------|----------|-----------------------------------|
| BLK | BLACK | DN | DETERGENT MOTOR | ICR | RELAY |
| BLU | BLUE | DP | DRAIN PUMP (IF USED) | DSS | REED SWITCH |
| CAN 1 | HONING | DV | DRAIN VALVE | SRC | CURRENT OPERATED START RELAY COIL |
| CAN 2 | PUMP MOTOR | EC/D | EXTENDED CYCLE/DELIVE | TH | TIMER MOTOR |
| CAN 3 | PUMP MOTOR REVERSING | FV | FILL VALVE | TP | THERMAL PROTECTOR |
| CAN 4 | DRAIN | GRN | GROUND | WHT | WHITE |
| CAN 5 | FILL | HTLS | HIGH LIMIT THERMOSTAT | WHTR | WATER HEATER |
| CAN 6 | RINSE | MSV | MAIN SWITCH ON/FILL OFF/DRAIN | WTS | WATER THERMOSTAT |
| CAN 7 | DETERGENT | PSDR | PRIME SWITCH DETERGENT, RINSE | | |
| CAN 8 | CYCLE | RM | RINSE MOTOR (IF USED) | | |
| CLT | CYCLE ON LIGHT | | | | |
| | | HEAT | MODEL | DATE | NUMBER/REV |
| | | ELEC | | 05-23-96 | 0508729 D |

Figure 15 - Electrical Diagram, UH-150

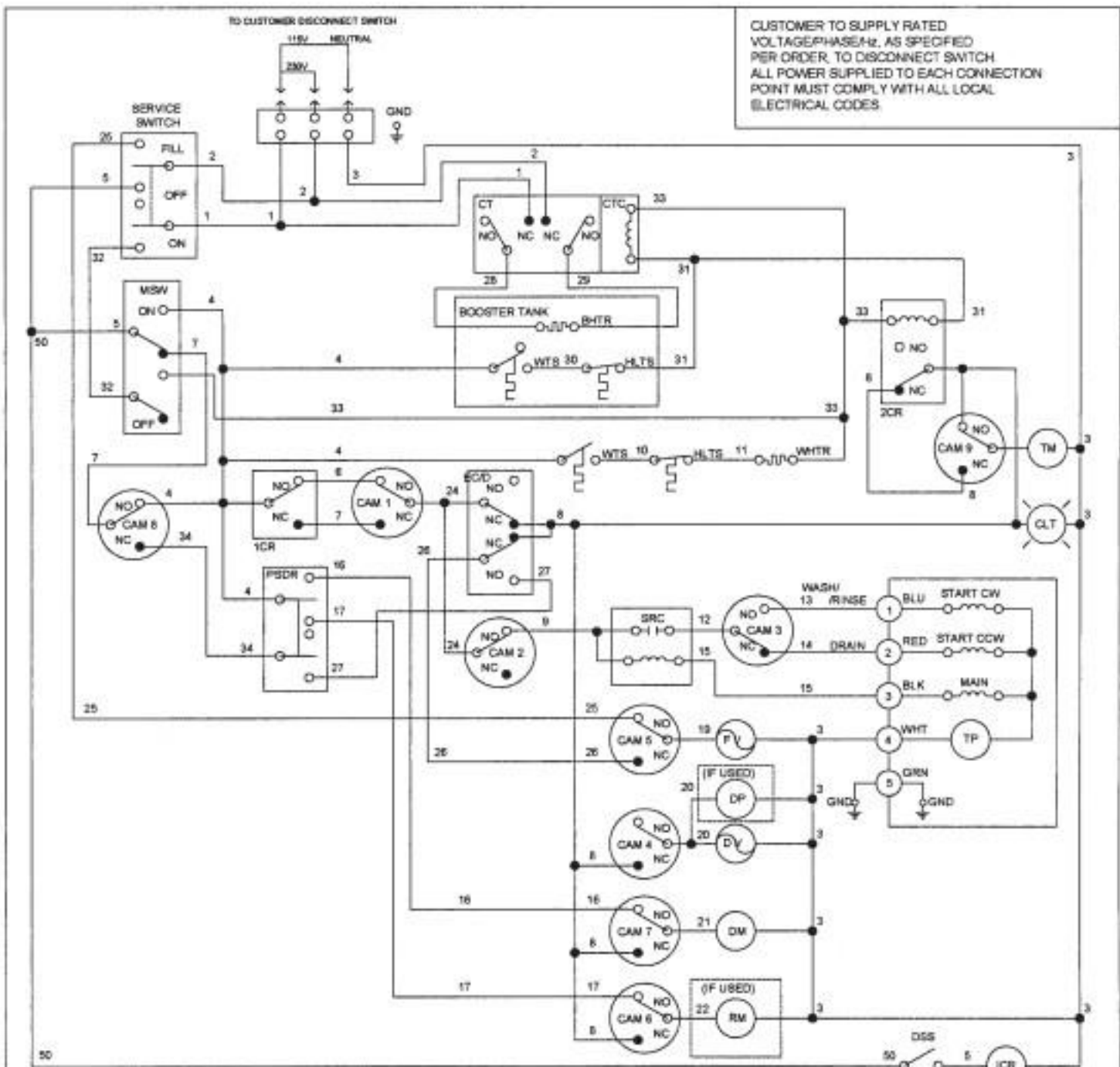
TO CUSTOMER DISCONNECT SWITCH

CUSTOMER TO SUPPLY RATED VOLTAGE/PHASE/HZ, AS SPECIFIED PER ORDER, TO DISCONNECT SWITCH. ALL POWER SUPPLIED TO EACH CONNECTION POINT MUST COMPLY WITH ALL LOCAL ELECTRICAL CODES.



| | | | | | |
|-------|----------------------|------|------------------------------|-------|-------------------------------|
| BHTR | BOOSTER HEATER | CT | CONTACTOR | PSDR | PRIME SWITCH DETERGENT, RINSE |
| BLK | BLACK | CTC | CONTACTOR COIL | ICR | RELAY |
| BLU | BLUE | DM | DETERGENT MOTOR | DBS | DOOR SAFETY SWITCH |
| CAN 1 | HOMING | DP | DRAIN PUMP (IF USED) | DM | RINSE MOTOR (IF USED) |
| CAN 2 | PUMP MOTOR | DS | DOOR SWITCH | SS | SERVICE SWITCH |
| CAN 3 | PUMP MOTOR REVERSING | DV | DRAIN VALVE | TN | TIMER MOTOR |
| CAN 4 | DRAIN | EC/D | EXTENDED CYCLE/DELIME | TP | THERMAL PROTECTOR |
| CAN 5 | FILL | FV | FILL VALVE | WHT | WHITE |
| CAN 6 | RINSE | GND | GROUND | WHTR | WATER HEATER |
| CAN 7 | DETERGENT | GRN | GREEN | WTS | WATER THERMOSTAT |
| CAN 8 | CYCLE | HTLS | HIGH LIMIT THERMOSTAT | | |
| CLT | CYCLE ON LIGHT | NSV | MASH SWITCH DN/FILL OFF/RAIN | | |
| | | | HEAT | MODEL | DATE |
| | | | ELEC | | 11-10-97 |
| | | | | | 0508571 F |

Figure 14 - Electrical Diagram, UH-150B
S/N Prior to W7604



| | | | | | |
|-------|-----------------------|------|-------------------------------|-----|-----------------------------------|
| BHTR | BOOSTER HEATER | CT | CONTACTOR | 1CR | RELAY |
| BLK | BLACK | CTC | CONTACTOR COIL | 2CR | RINSE SENTRY RELAY |
| BLU | BLUE | DM | DETERGENT MOTOR | DSB | DOOR SAFETY SWITCH |
| CAM 1 | HOMING | DP | DRAIN PUMP (IF USED) | RM | RINSE MOTOR (IF USED) |
| CAM 2 | PUMP MOTOR | DB | DOOR SWITCH | SRC | CURRENT OPERATED START RELAY COIL |
| CAM 3 | PUMP MOTOR REVERISING | DV | DRAIN VALVE | SB | SERVICE SWITCH |
| CAM 4 | DRAIN | EGD | EXTENDED CYCLE DELIME | TM | TIMER MOTOR |
| CAM 5 | FILL | FV | FILL VALVE | TP | THERMAL PROTECTOR |
| CAM 6 | RINSE | GND | GROUND | WHT | WHITE |
| CAM 7 | DETERGENT | GRN | GREEN | WHT | WATER HEATER |
| CAM 8 | CYCLE | HTLS | HIGH LIMIT THERMOSTAT | WTS | WATER THERMOSTAT |
| CAM 9 | RINSE SENTRY | MSW | MAIN SWITCH ON/FILL OFF/DRAIN | | |
| CLT | CYCLE ON LIGHT | PSDR | PRIME SWITCH DETERGENT, RINSE | | |

| REV | BY | CH | DESCRIPTION | DATE |
|-----|------|----|---|--------------|
| G | | | REVISED TO MATCH PRODUCTION COPY | SKH APR 4-03 |
| F | | | 2CR RELAY & CAM 9 ADDED | SKH APR 4-03 |
| E | 5102 | DM | ADDED WHT AND TP TO 200R SW - RELAY COIL | JUNE 24-96 |
| D | 5106 | DM | ADDED RINSE & REED SWITCH - REPLACES STOP SWITCH | MAY 25-96 |
| C | 5078 | KY | CHANGED RINSE MOTOR FROM 8 AMP 115V TO 1 AMP 115V | FEB 08-93 |
| B | 5071 | KY | UPDATED DRAWING | JAN 13-93 |
| A | 5349 | KY | RELEASED TO PRODUCTION | 28 NOV 1992 |



| HEAT | MOEEL | DATE | NUMBER/REV |
|------|-----------------------------------|----------|------------|
| ELEC | SCHEMATIC UH-150 SERIES HIGH TEMP | 04-04-03 | 0508571 G |

Figure 13 - Electrical Diagram, UH-150B
S/N After W7604