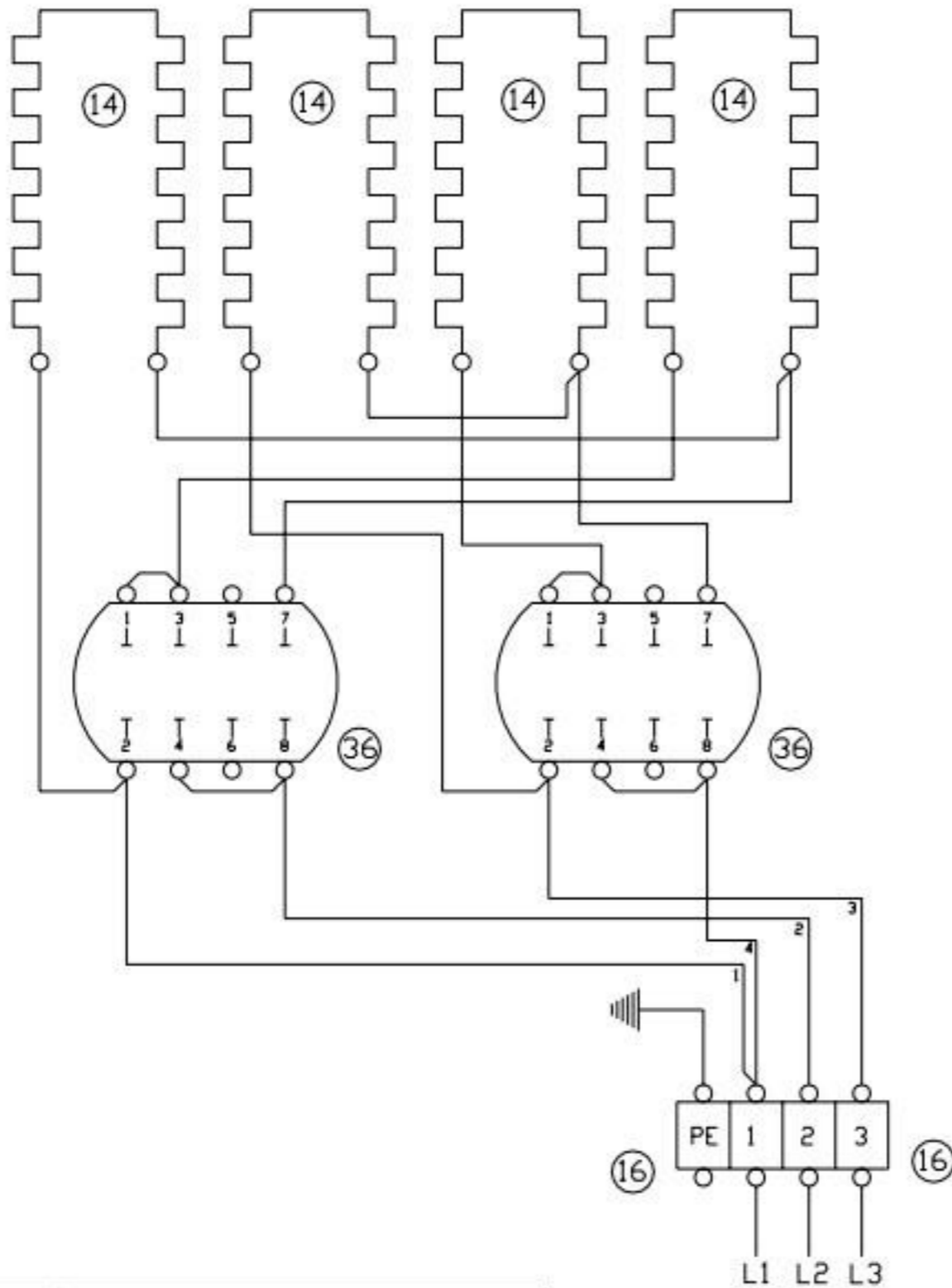


REVISION BLOCK

REV	ECN NO.	DESCRIPTION	DR:	MFG	ENG	DATE



ITEM#	PART#	DESCRIPTION
14	11100-11	ELEMENT
16	30500-11	LARGE 2 POLE TERMINAL BLOCK
36	30304-32	2 HEAT SWITCH - 25 AMP

QTY	ITEM	PART NUMBER	DESCRIPTION / MATERIAL
LANG MANUFACTURING			
DR: BDM DATE: 6-28-00		TITLE: CLB-1C-S	
CK: DATE:			
TOLERANCES FRACTIONS DECIMALS ± 1/64 .X ± .06 ANGLES .XX ± .03 ± .5" .XXX ± .015 UNLESS OTHERWISE SPECIFIED DIMENSIONS ARE IN INCHES		440VAC 3 PHASE, SINGLE BROILER	
SCALE: TO FIT		NEXT HIGHER ASSY. SHEET	DRAWING NUMBER REV
		<u>1</u> OF <u>1</u>	61131-09 A