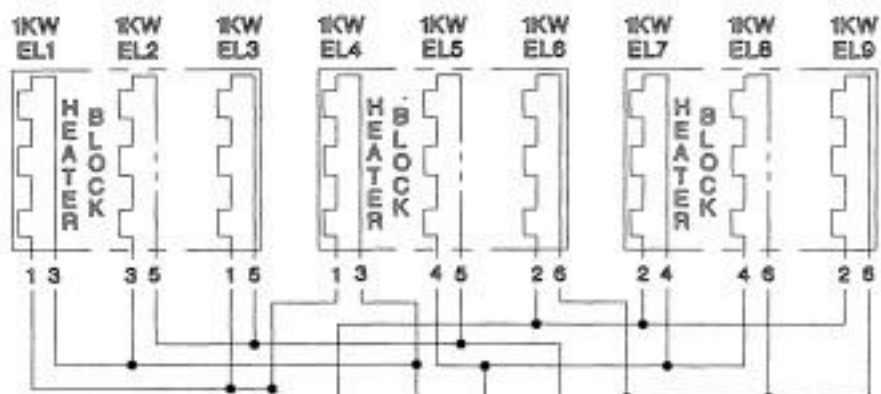
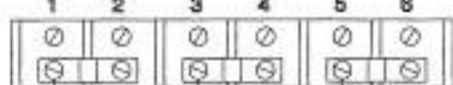


STEAMCUB 8KW / 9KW (THREE PHASE)

EL2-EL5-EL8 NOT PRESENT IN 8KW UNITS

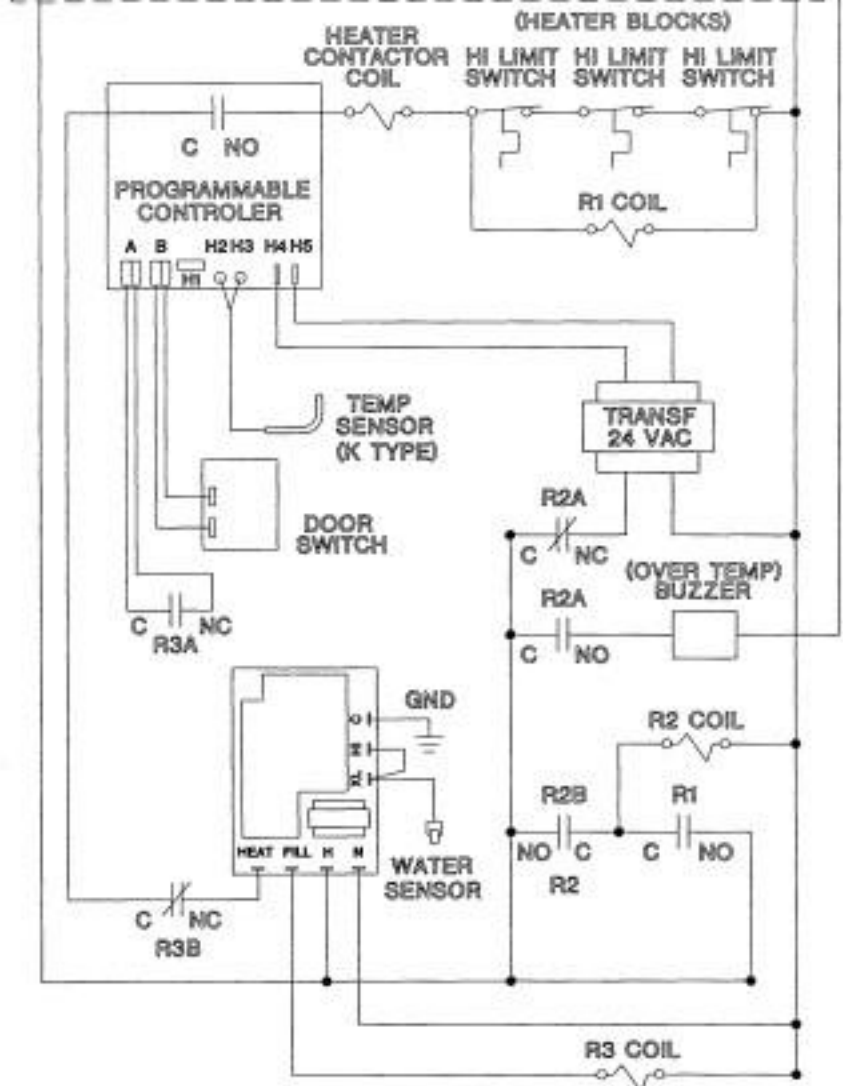
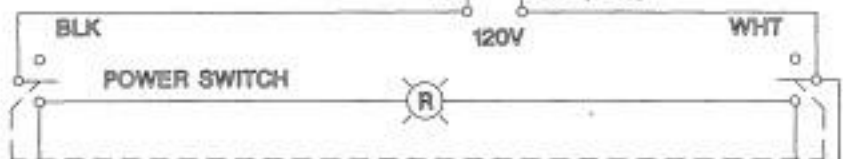
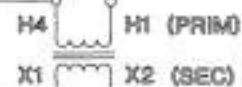
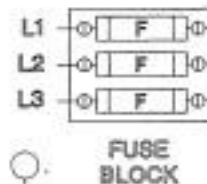


208/240/480V
CUSTOMER
CONNECTION
3 ϕ
(SEE RATING PLATE)



HEATER
CONTACTOR

FIELD CONVERSION FROM
3 ϕ TO 1 ϕ IS NOT PERMITTED



11.000

