

SteamCraft – Gemini 10

Cleveland

Gas Convection Steamers with Easy Timer

Parts Manual

MODELS:

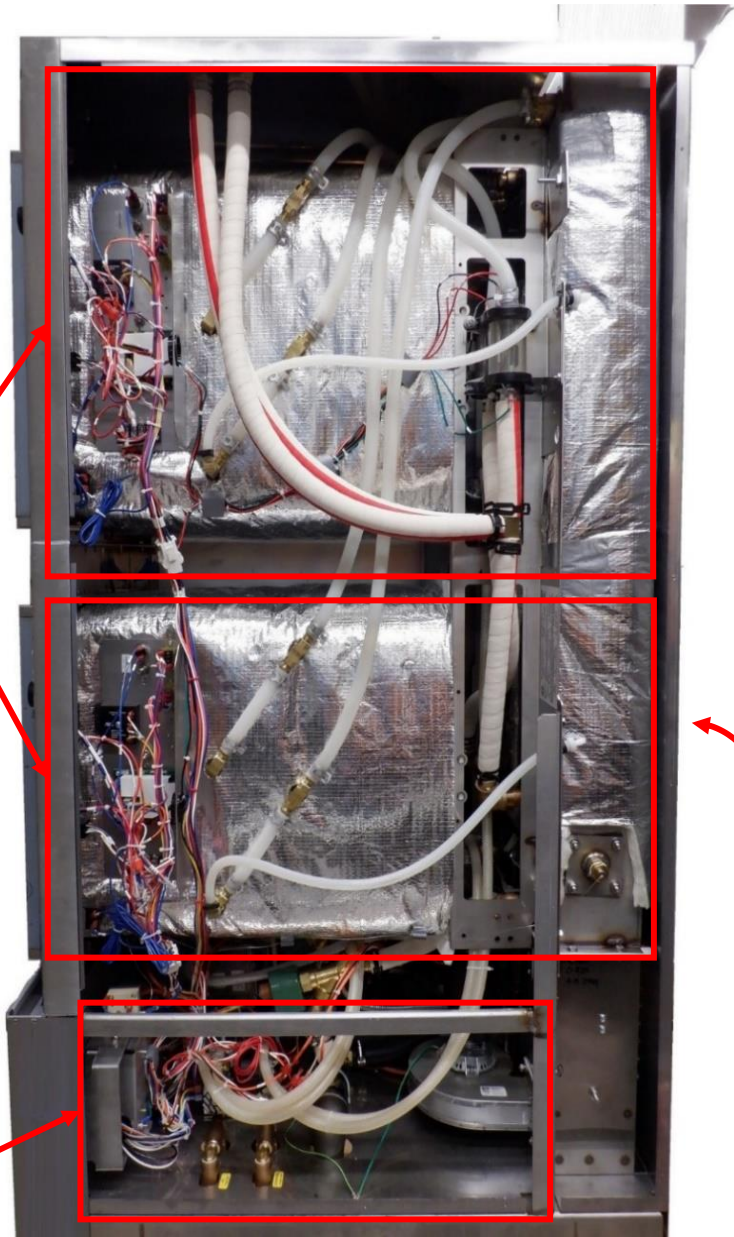
24CGA10.2



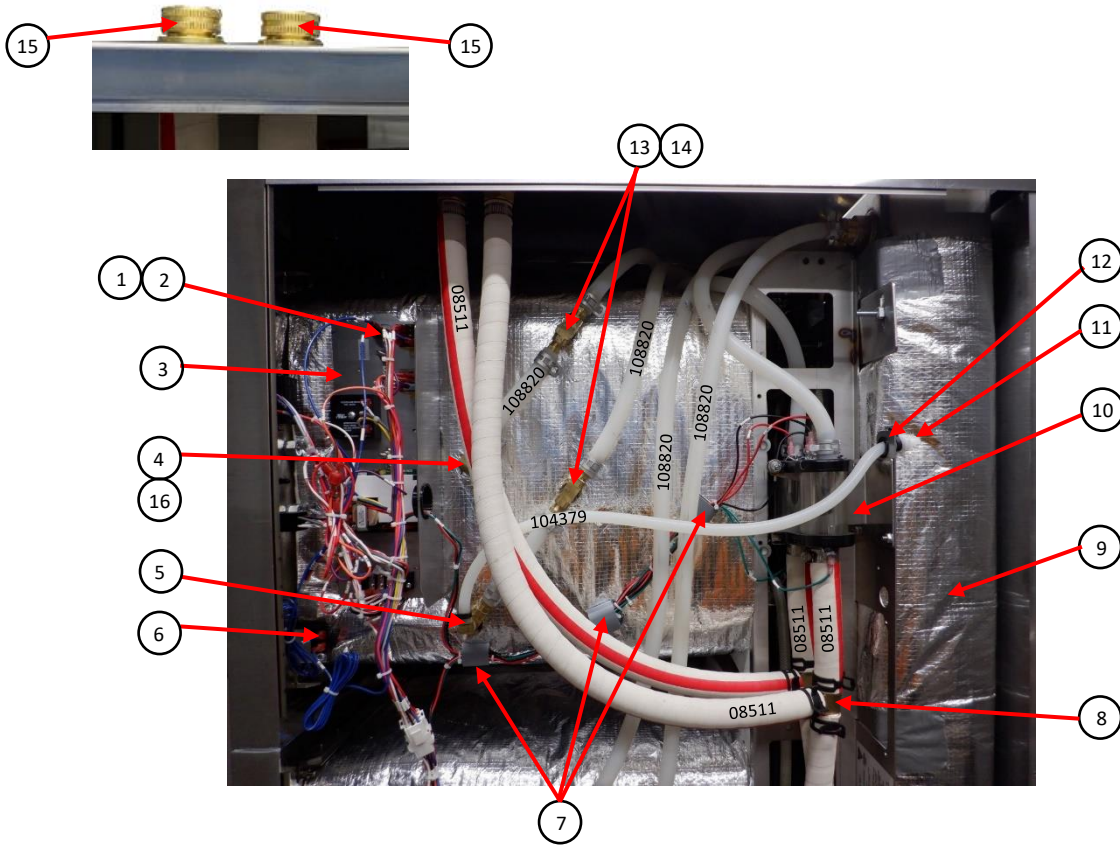
**UPPER SECTION
MID SECTION**
See page 2

LOWER SECTION
See page 3

BACK SIDE
See page 4



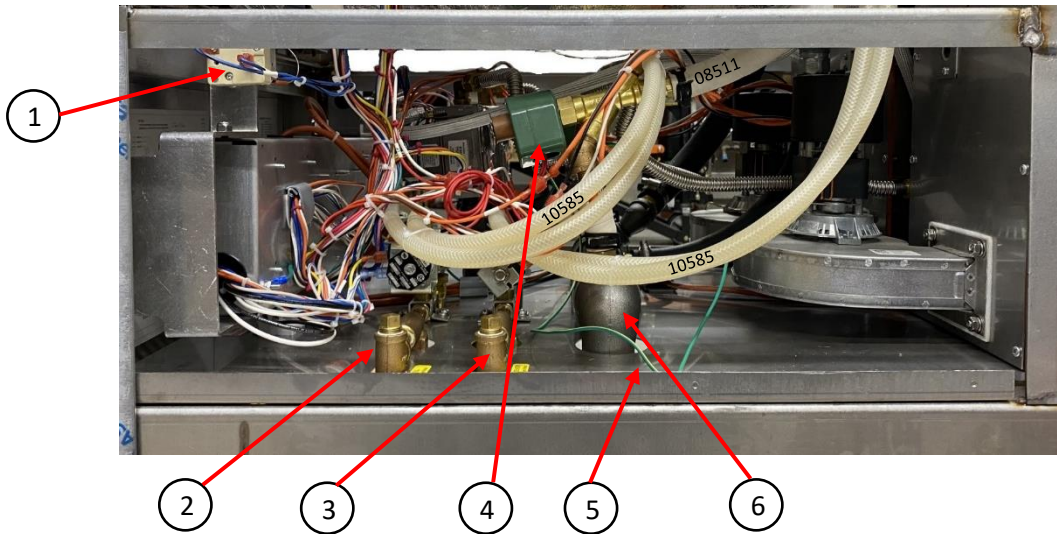
24CGA10.2 RIGHT-HAND SIDE



Item	P/N	Description
1	19972	SWITCH, THERMAL CLOSE 193°F
2	111780	WASHER, RETAINER, INSULATION
3	KE004223	ASY; COMPONENT PANEL GEMINI 10.2
4	05236	ELBOW, 1/4" x 90, BRASS
5	1070591	BREATHER/SPRAY NOZZLE ASSEMBLY
6	KE003930	DOOR STEAM CUTOFF SWITCH ASSEMBLY
7	234321	WIRE/CABLE MOUTING CLIP 0.75"x0.75"
8	11000115769	TEE, HOSE BARB, 3/4, BRASS
9	110483 1104831	GENERATOR MAIN ASSEMBLY, NAT GENERATOR MAIN ASSEMBLY, LP
10	KE004053	WATER LEVEL PROBE ASSEMBLY
11	107032	CHECK VALVE, PLASTIC DIAPHRAGM
12	KE54833-3	HEYCO BUSHING; 875 DIA NYLON HEYCO #SB875-9
13	20199	TEE, 1/4", BRASS
14	104048	HOSE BARB; 1/2"H x 1/4" NPT
15	109641	DESCALER PORT ASSEMBLY
16	104048	HOSE BARB; 1/2"H x 1/4" NPT

Hoses & Corresponding Clamps

Hose	Description	Clamp	Description
08511	HOSE, WHITE, EPDM, 3/4" ID	107312	CLAMP, HOSE, METAL TENSION BAND, 1-1/8" OD, BLACK
108820	HOSE, SILICON, 1/2" ID x 1/8" WALL	1073122	CLAMP, HOSE, METAL TENSION BAND, 3/4" OD, SILVER
104379	HOSE, SILICON, RUBBER, 1/4" ID	104383	CLAMP, HOSE, NYLON, 1/2"

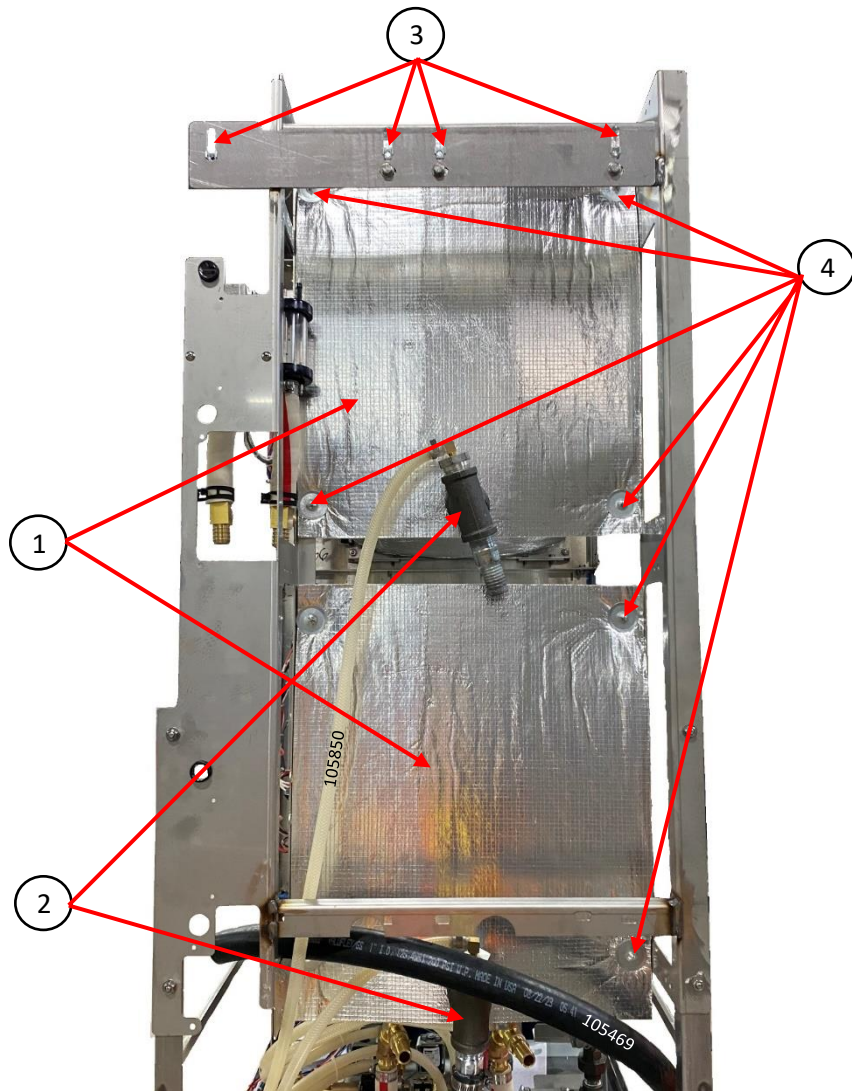


RIGHT-HAND SIDE – LOWER SECTION

Item	P/N	Description
1	108995	RESET SWITCH ASSEMBLY
2	110527	WATER INLET VALVE ASSEMBLY, CONDENSATE
3	1105271	WATER INLET VALVE ASSEMBLY, BOILER FILL
4	KE004051	SOLENOID DRAIN VALVE ASSEMBLY
5	KE004065	GROUND WIRE, IGNITION
6	KE004050	DRAIN MANIFOLD ASSEMBLY

Hoses & Corresponding Clamps

Hose	Description	Clamp	Description
08511	HOSE, WHITE, EPDM, 3/4" ID	107312	CLAMP, HOSE, METAL TENSION BAND, 1-1/8" OD, BLACK
105850	HOSE, POLY REINFORCED, 1/4" ID x 1/2" OD	1073121	CLAMP, HOSE, METAL TENSION BAND, 1/4" ID, SILVER

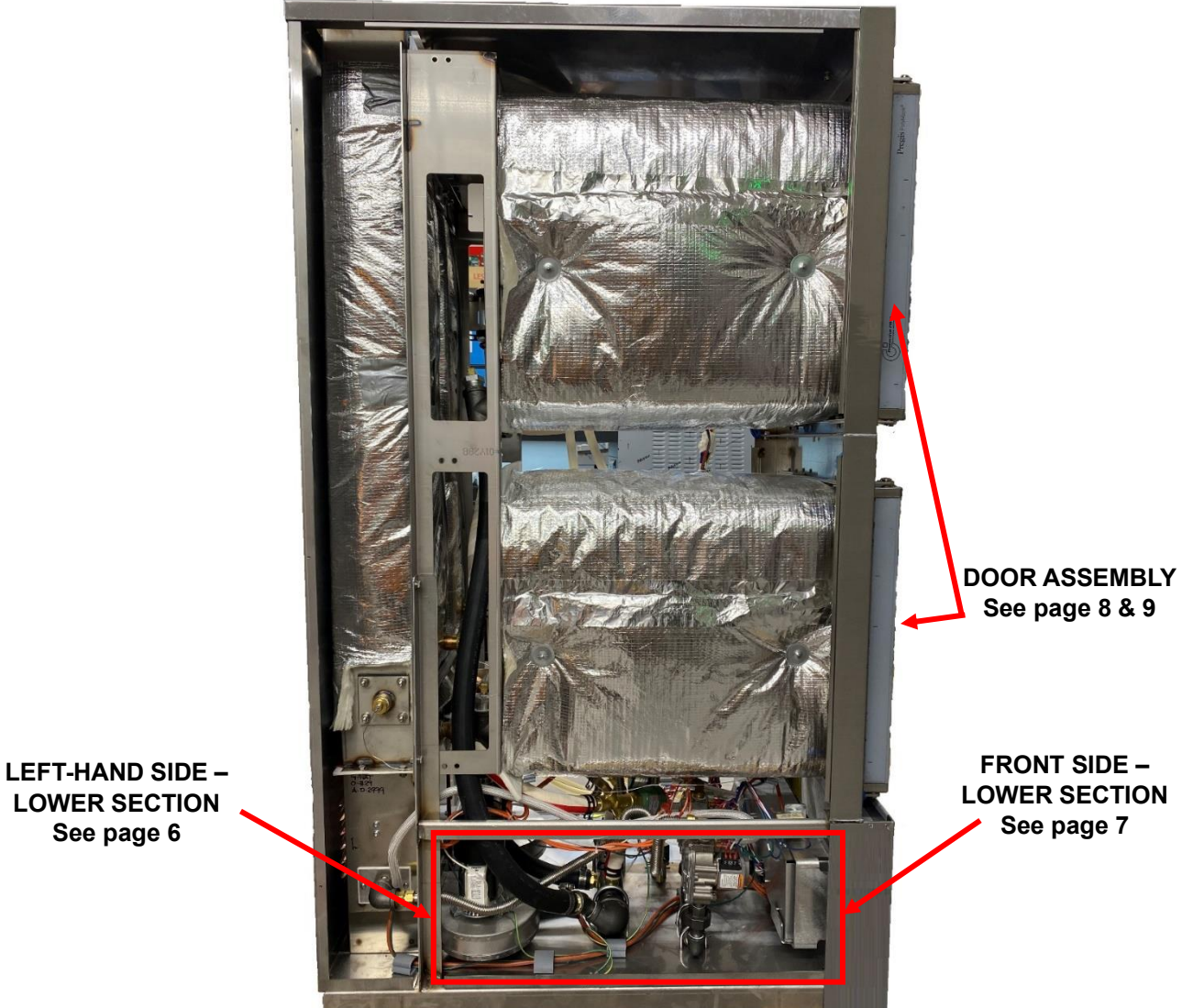


BACK SIDE

Item	P/N	Description
1	KE604578-1	REAR WALL INSULATION
2	1061712	DRAIN ASSEMBLY STEAMCRAFT 10
3	106033	NUT, SELF-RETAINING
4	101953	CLIP, INSULATION RETAINER, 1-1/2, .105 HOLE, GALV.

Hoses & Corresponding Clamps

Hose	Description	Clamp	Description
105469	HOSE, WHITE, EPDM, 3/4" ID	03204	CLAMP, HOSE, WORM DRIVE 0.812 X 1.50 DIA
105850	HOSE, POLY REINFORCED, 1/4" ID x 1/2" OD	1073121	CLAMP, HOSE, METAL TENSION BAND, 1/4" ID, SILVER

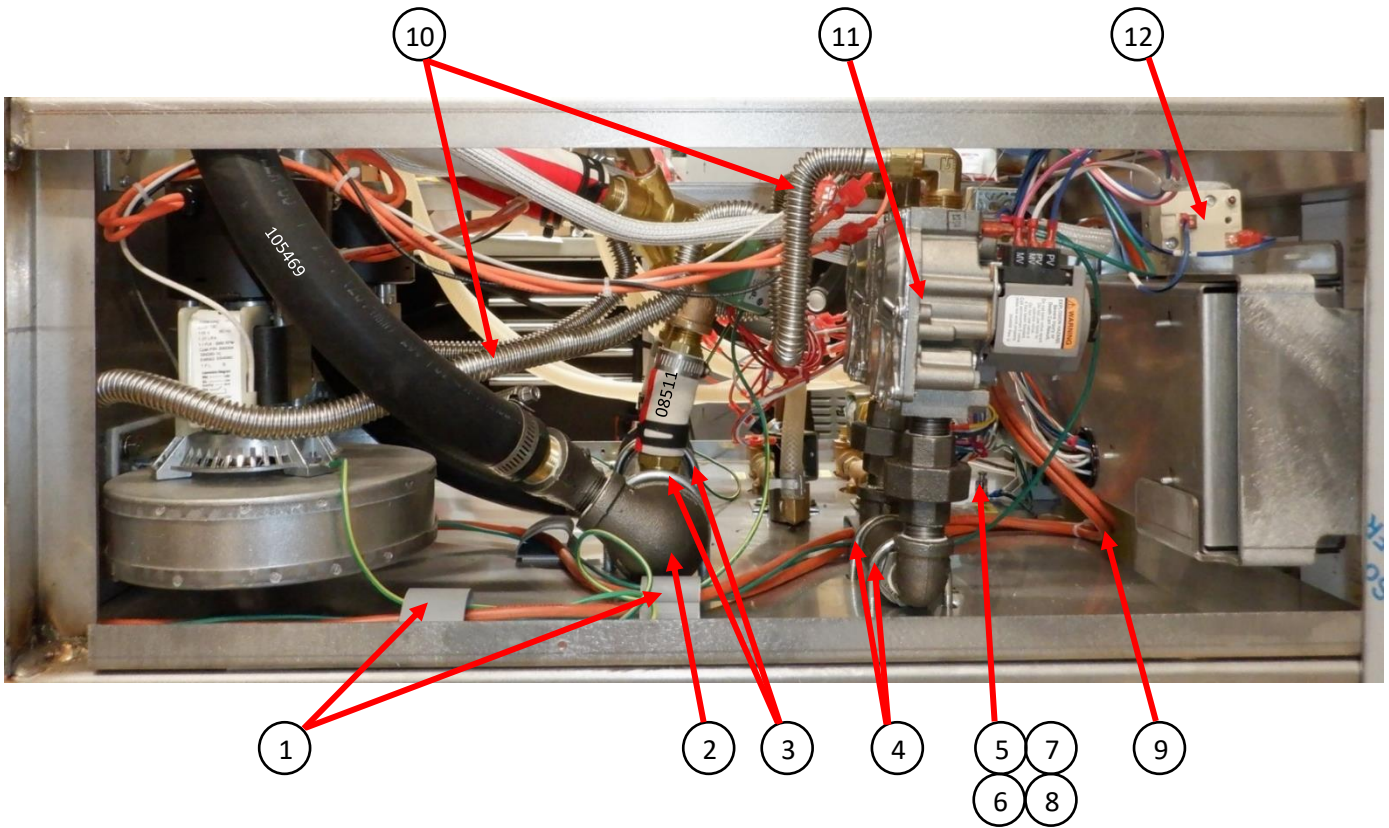


**LEFT-HAND SIDE –
LOWER SECTION**
See page 6

DOOR ASSEMBLY
See page 8 & 9

**FRONT SIDE –
LOWER SECTION**
See page 7

24CGA10.2 LEFT-HAND SIDE

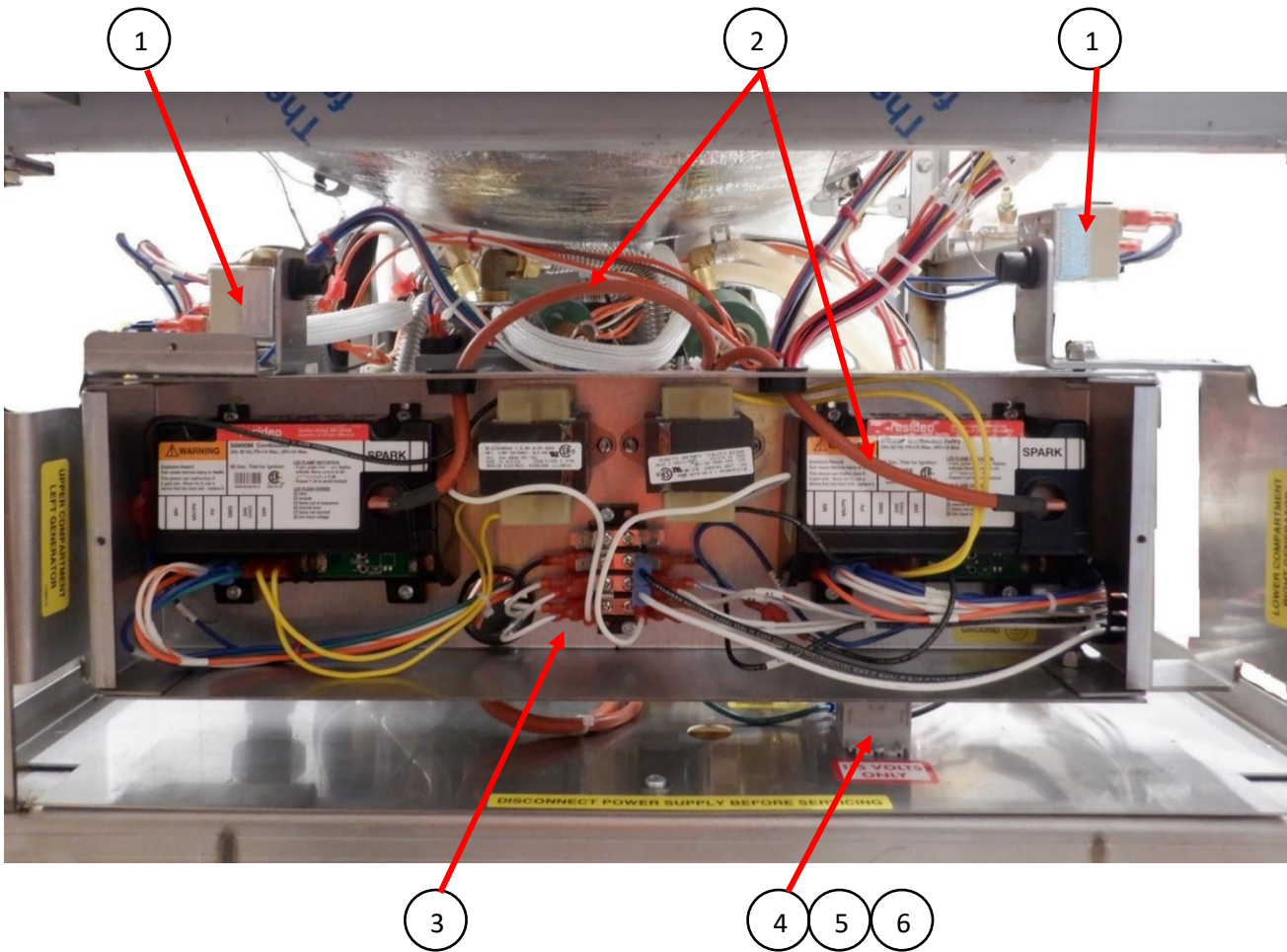


LEFT-HAND SIDE – LOWER SECTION

Item	P/N	Description
1	23432	WIRE/CABLE MOUTING CLIP 1.25"x1.5"
2	KE004050	DRAIN MANIFOLD ASSEMBLY
3	108030	PIPE CLAMP, 5/16 U-BOLT W/ NUTS
4	105970	U-BOLT, 3/4" PIPE
5	20304	GROUND LUG
6	23114	LOCK WASHER, INTRNL TOOTH #10 TYPE A OR B, SST
7	101231	SCREW, #10-24 X 0.5 SST, PHILLIPS TRUSS HEAD
8	14659	HEX NUT, #10-24, SST
9	SM00100-2	CABLE, IGNITOR ASSEMBLY
10	108928	MAIN GAS LINE
11	KE004054 KE004058	DUAL GAS VALVE ASSEMBLY, NATURAL DUAL GAS VALVE ASSEMBLY, PROPANE
12	108995	RESET SWITCH ASSEMBLY

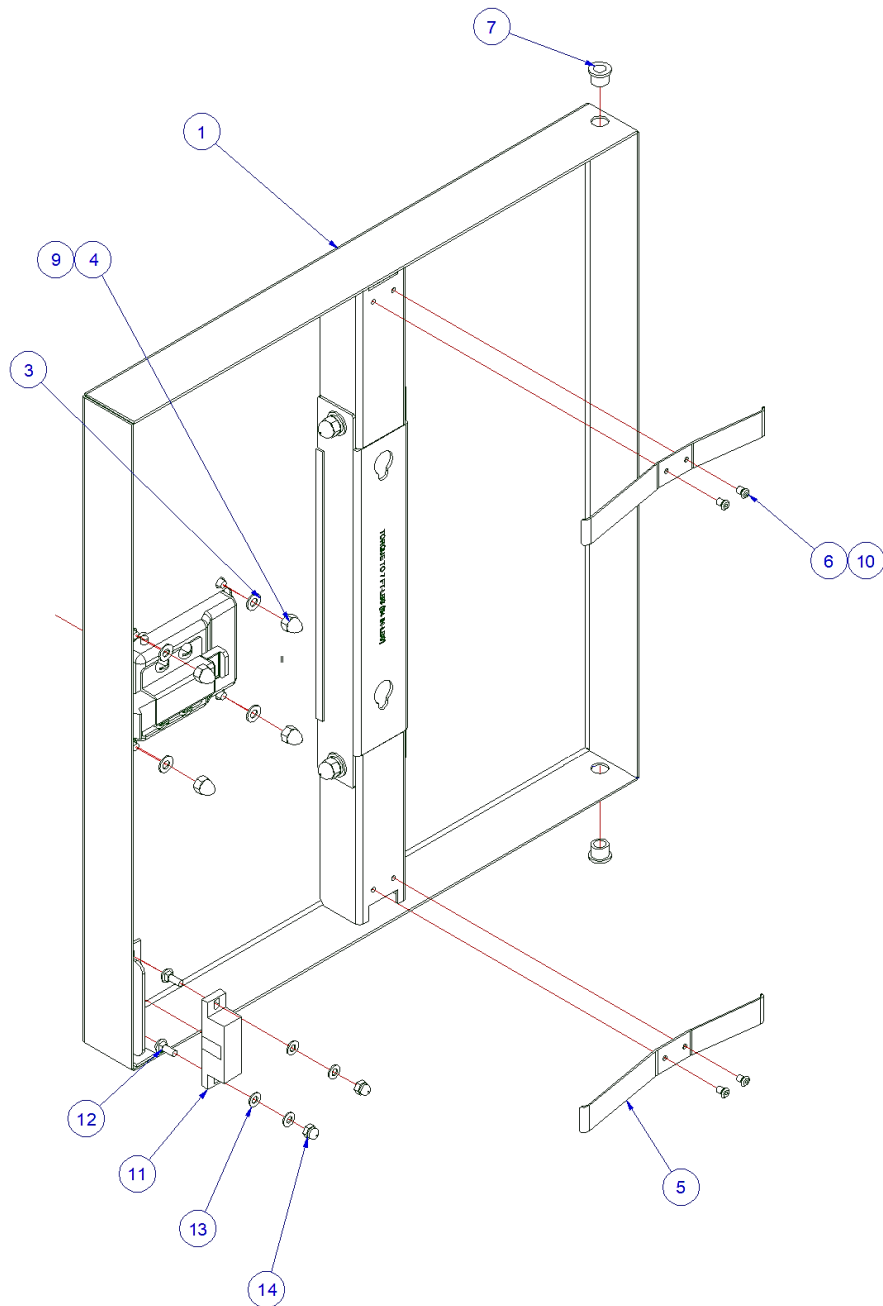
Hoses & Corresponding Clamps

Hose	Description	Clamp	Description
105469	HOSE, WHITE, EPDM, 3/4" ID	03204	CLAMP, HOSE, WORM DRIVE 0.812 X 1.50 DIA
08511	HOSE, WHITE, EPDM, 3/4" ID	107312	CLAMP, HOSE, METAL TENSION BAND, 1-1/8" OD, BLACK
		03204	CLAMP, HOSE, WORM DRIVE 0.812 X 1.50 DIA



FRONT SIDE – LOWER SECTION

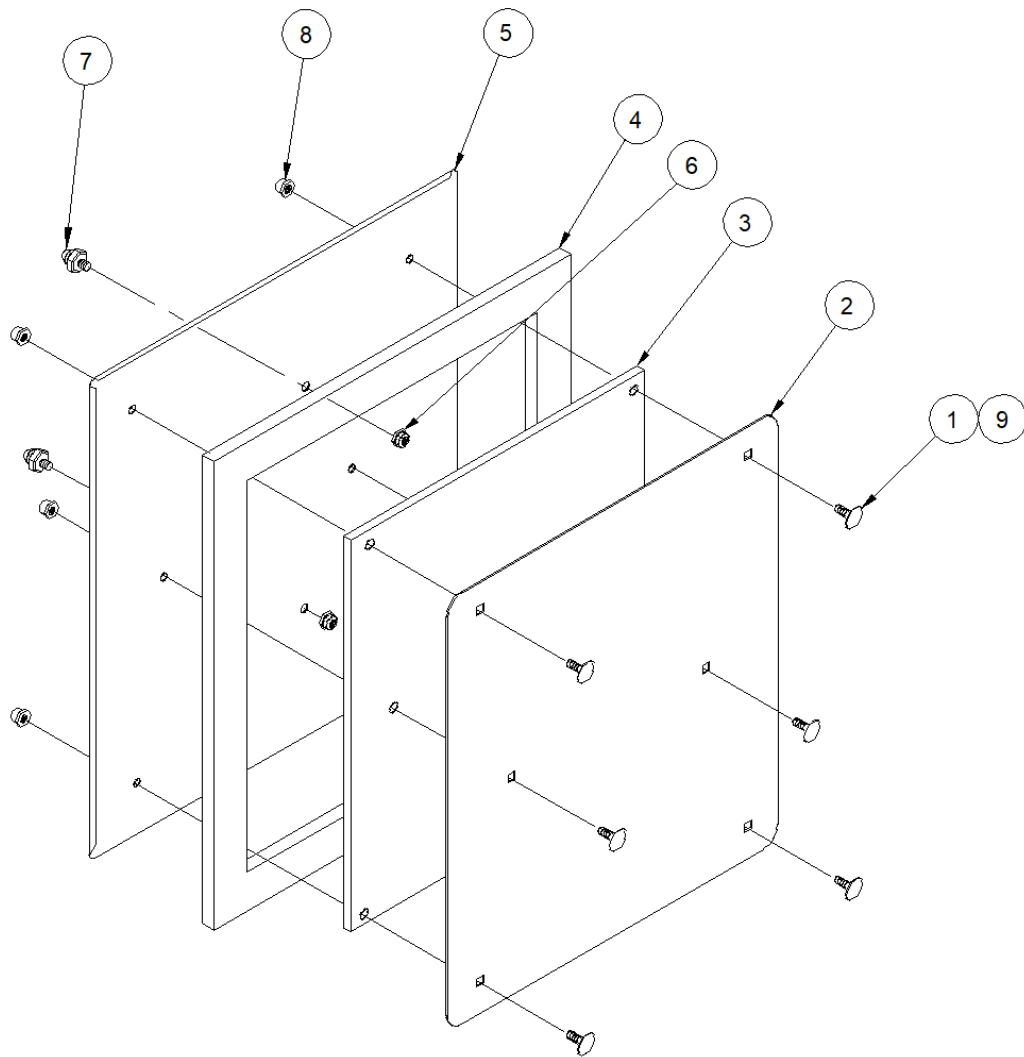
Item	P/N	Description
1	108995	RESET SWITCH ASSEMBLY
2	SM00100-2	CABLE, IGNITOR ASSEMBLY
3	KE004060	IGNITION COMPONENT BOX ASSEMBLY
4	20301	TERMINAL SECTION, MARATHON
5	20302	TERMINAL END SECTION
6	106127	SCREW, 6-32 X 1/2, TORX/PAN HD



Assembly Number: 114173-1

Description: Outer Door Assembly, SteamCraft 10.2

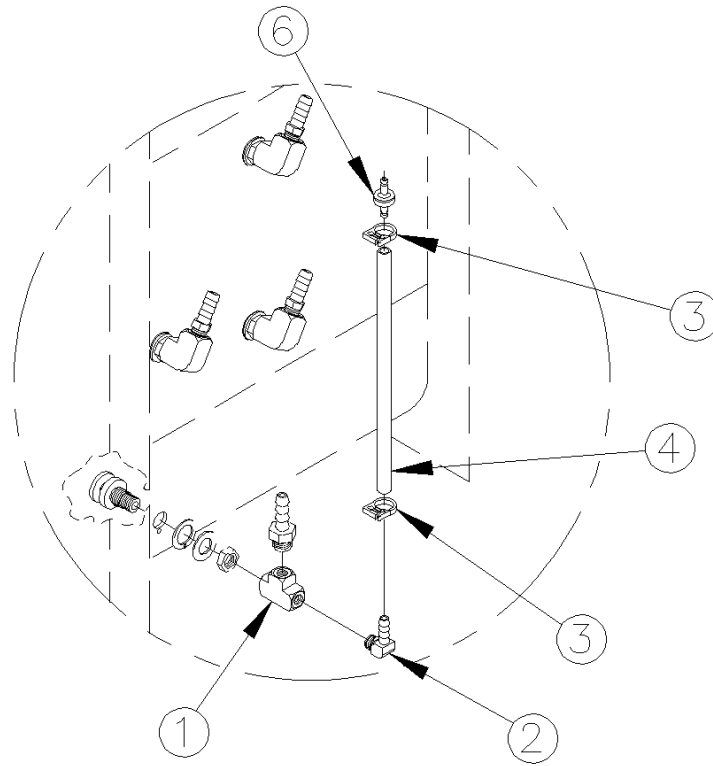
Item	P/N	Description
1	114175-1	DOOR, OUTER, WELD, HL/HR
3	101655	WASHER, FLAT, #10, SST
4	11000115589	NUT, #10-24, HIGH CROWN ACORN, SST
5	102228	SPRING, DOOR, 3/5 PAN
6	18357	RIVET, FLUSH BREAK, 0.125 DIA, 0.126/0.187 GRIP, SST
7	103641	BUSHING, DOOR HINGE
9	104146	ADHESIVE; LOCTITE; PURPLE; THRDLCR 222;50ML;#21464
10	00933	SEALANT, DOW CORNING 732
11	108879	MAGNET, DOOR STEAM CUTOFF
12	111592	SCREW, 8-32 X 1/2 CARRIAGE HEAD, SST
13	101336	WASHER, FLAT, #8, SST
14	109164	NUT, HEX, ACORN, 8-32, SST, W/ THREAD LOC
15	103643	LATCH, DOOR-PADDLE TYPE



Assembly Number: 104202

Description: Inner Door Assembly, 5-Pan Compartment

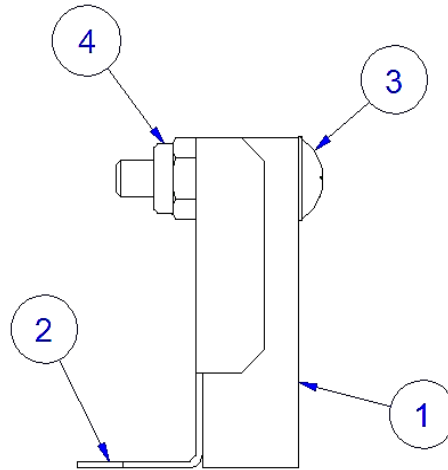
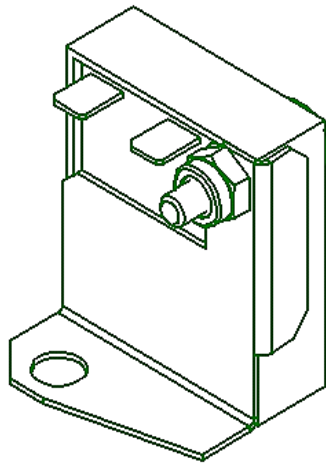
Item	P/N	Description
1	104719	SCREW, CARRIAGE, 1/4-20X1, SST
2	104021	PLATE, GASKET RETAINER
3	104022	PLATE, INNER GASKET RETAINER
4	104026	GASKET, DOOR S/C 5.1
5	104023	DOOR, INNER PLATE SC 5.1
6	14665	NUT, HEX, 1/4-20 LOCK, SST (NYLON INSERT)
7	66508	PIN, GUIDE, INNER DOOR
8	146771	NUT, ACORN, THRD LOCK, 1/4-20, SST
9	00933	SEALANT, DOW CORNING 732



Assembly Number: 1070591

Description: Breather/Spray Nozzle Assembly

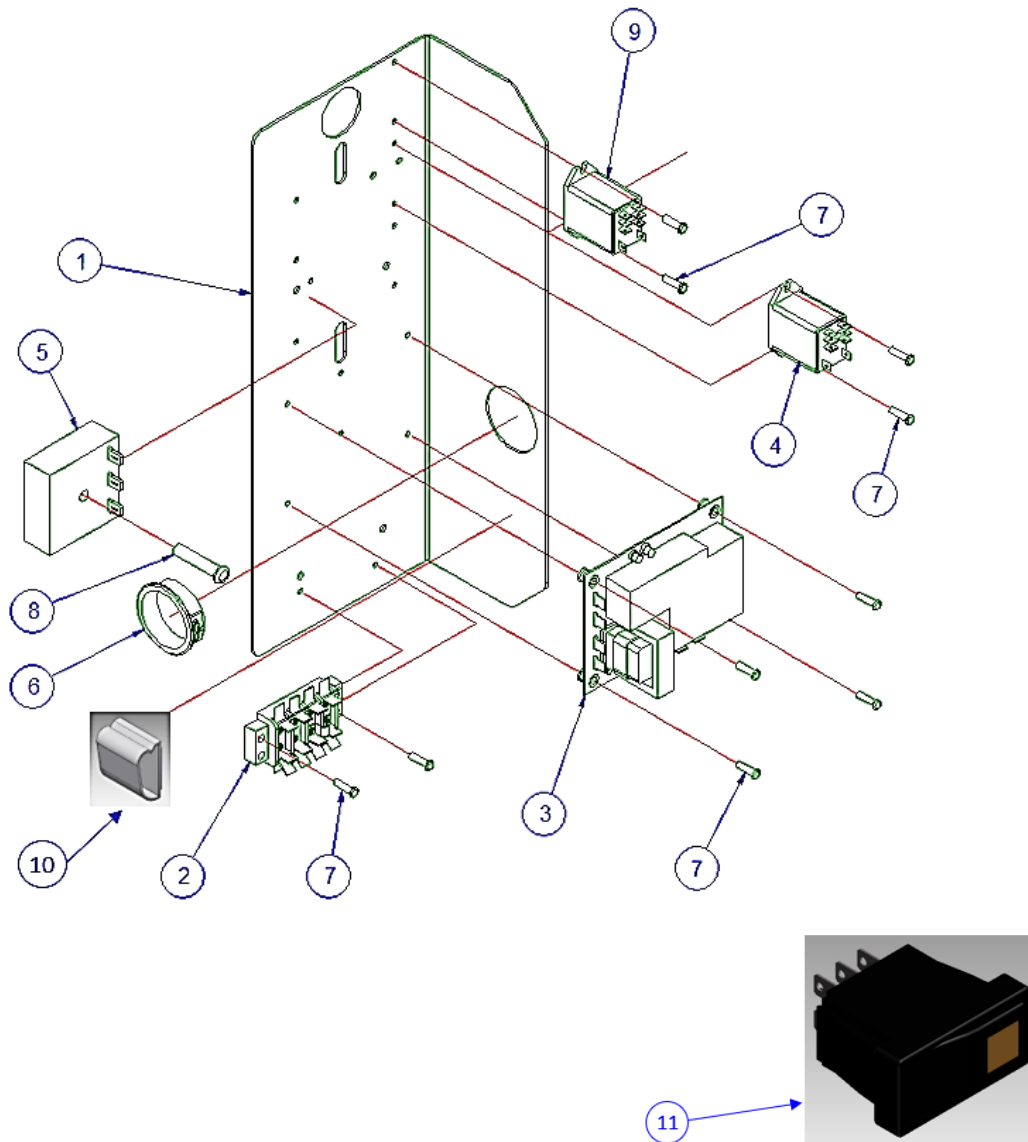
Item	P/N	Description
1	20199	TEE, 1/4", BRASS
2	105786	FTG, HOSE BARB, 1/4Hx1/4MPT, 90°, BRASS
3	104383	CLAMP, HOSE,NYLON, .500"
4	104379	HOSE, SILICONE
5	20451	CABLE TIE 100 MM LONG P2 P3
6	107032	1/4" HIGH FLOW CHECK VALVE



Assembly Number: KE003930

Description: Door Steam Cutoff Switch Assembly, 10-Pan Steamer

Item	P/N	Description
1	108880	SWITCH, DOOR
2	KE604151	BRACKET; STEAM CUTOFF SWITCH; 10 PAN STEAMERS
3	KE604172	SCREW, 10-24 X 1.00 SST, PHILLIPS TRUSS HEAD
4	104616	NUT, HEX, LOCK, 10-24, SST, NYLON INSERT

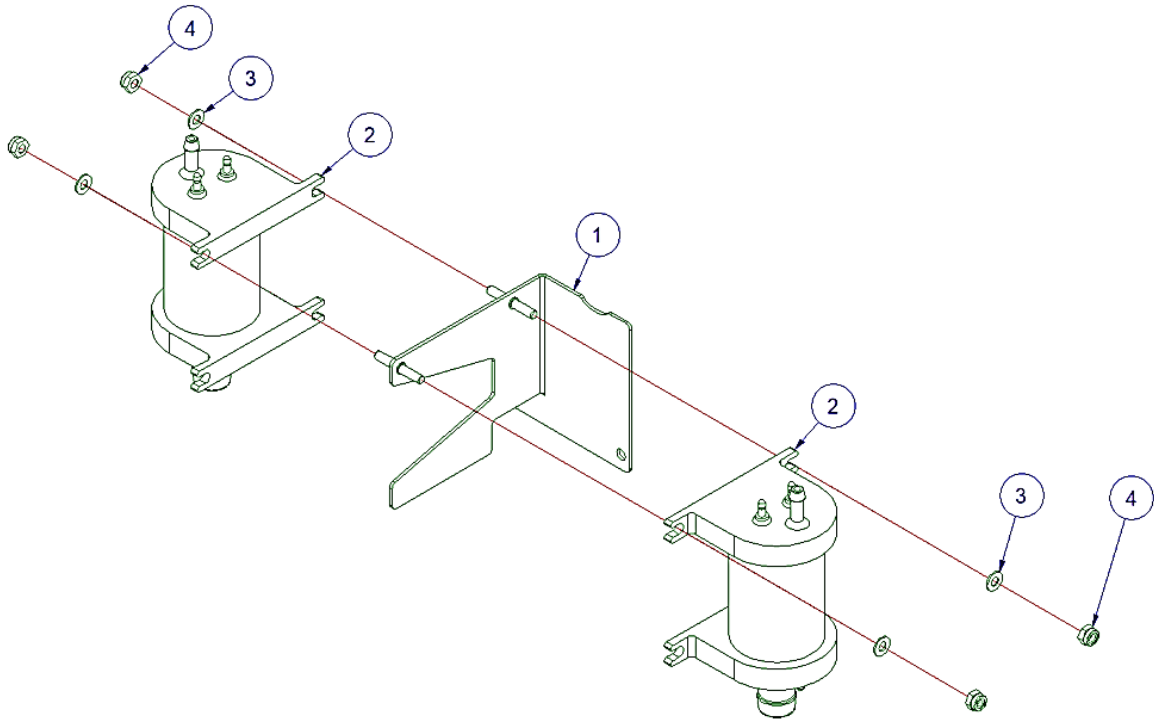


Assembly Number: KE004223

Description: Control Panel Assembly, Gemini 10.2

Item	P/N	Description
1	KE604242	PANEL, ELECTRICAL COMPONENT, GEMINI
2	300154	TERMINAL BLOCK ASSEMBLY 4-POLE W/ 1 JUMPER
3	107241	BOARD, WATER LEVEL CONTROL
4	105966	RELAY, DPDT-W/MTG TABS
5	20478	TIMER, SOLID STATE INTERV 3 MINUTES
6	102581	BUSHING, SNAP-IN FOR 1 1/2 DIA HOLE
7	106127	SCREW, 6-32 X 1/2, TORX/PAN HD
8	106124	SCREW, TORX/SLOT #10-32 X 1-1/4 LG
9	108285	RELAY; DPDT W/MTG.TABS; 24V;50/60HZ;AC
10	23432	CLIP, MOUNTING; WIRE/CABLE
11	19993	SWITCH, ROCKER, DPDT, ON/OFF 15A, 125V
12	WHKE004231 *	WIRING HARNESS ASSEMBLY

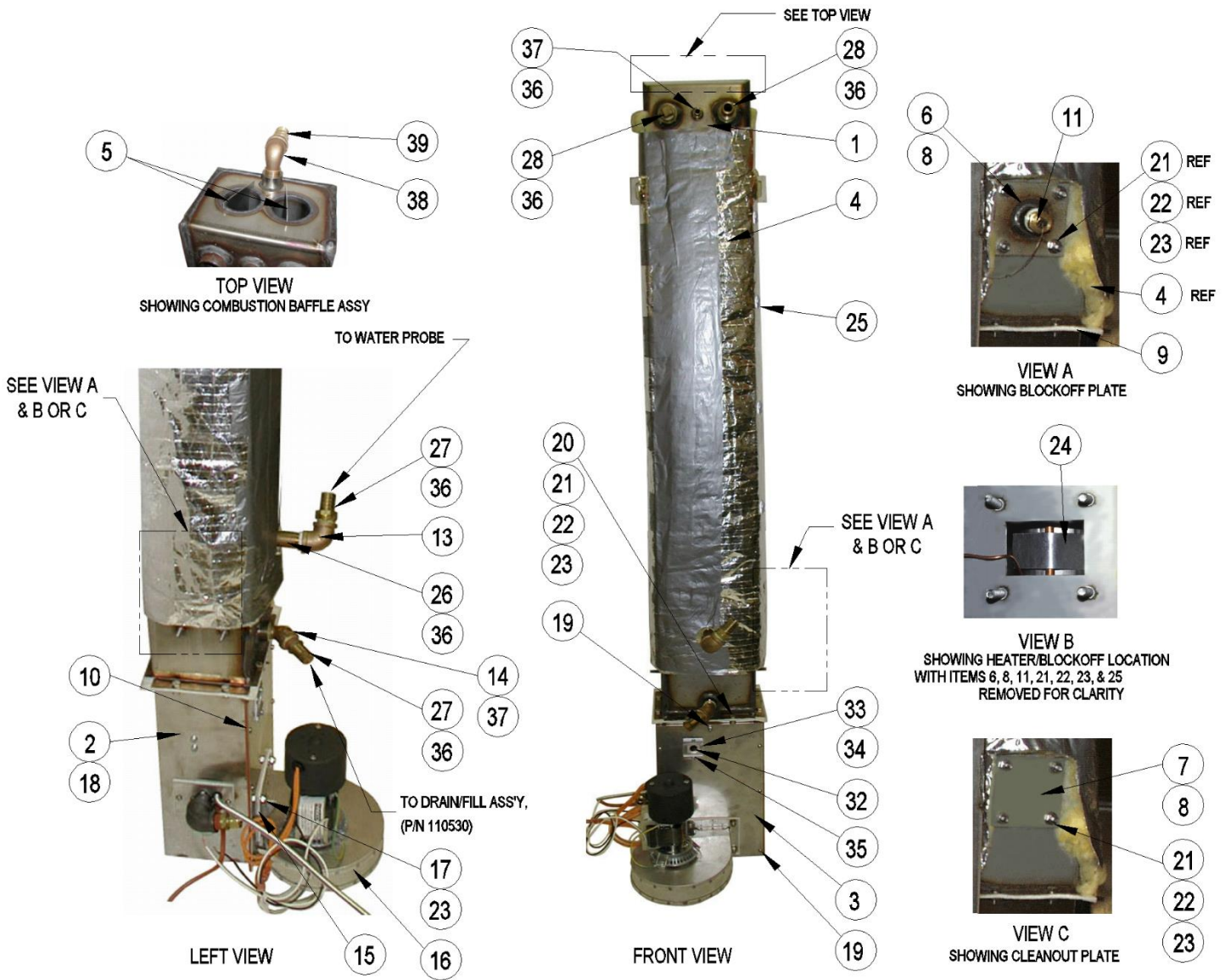
* NOT SHOWN



Assembly Number: KE004053

Description: Level Probe Assembly, Gemini 10

Item	P/N	Description
1	KE004055	WELDMENT; LEVEL PROBE BRACKET; GEMINI
2	107239	PROBE HOUSING, PLASTIC, WATER LEVEL CONTROL
3	101655	WASHER, FLAT, #10, SST
4	104616	NUT, HEX, LOCK, 10-24, SST, NYLON INSERT

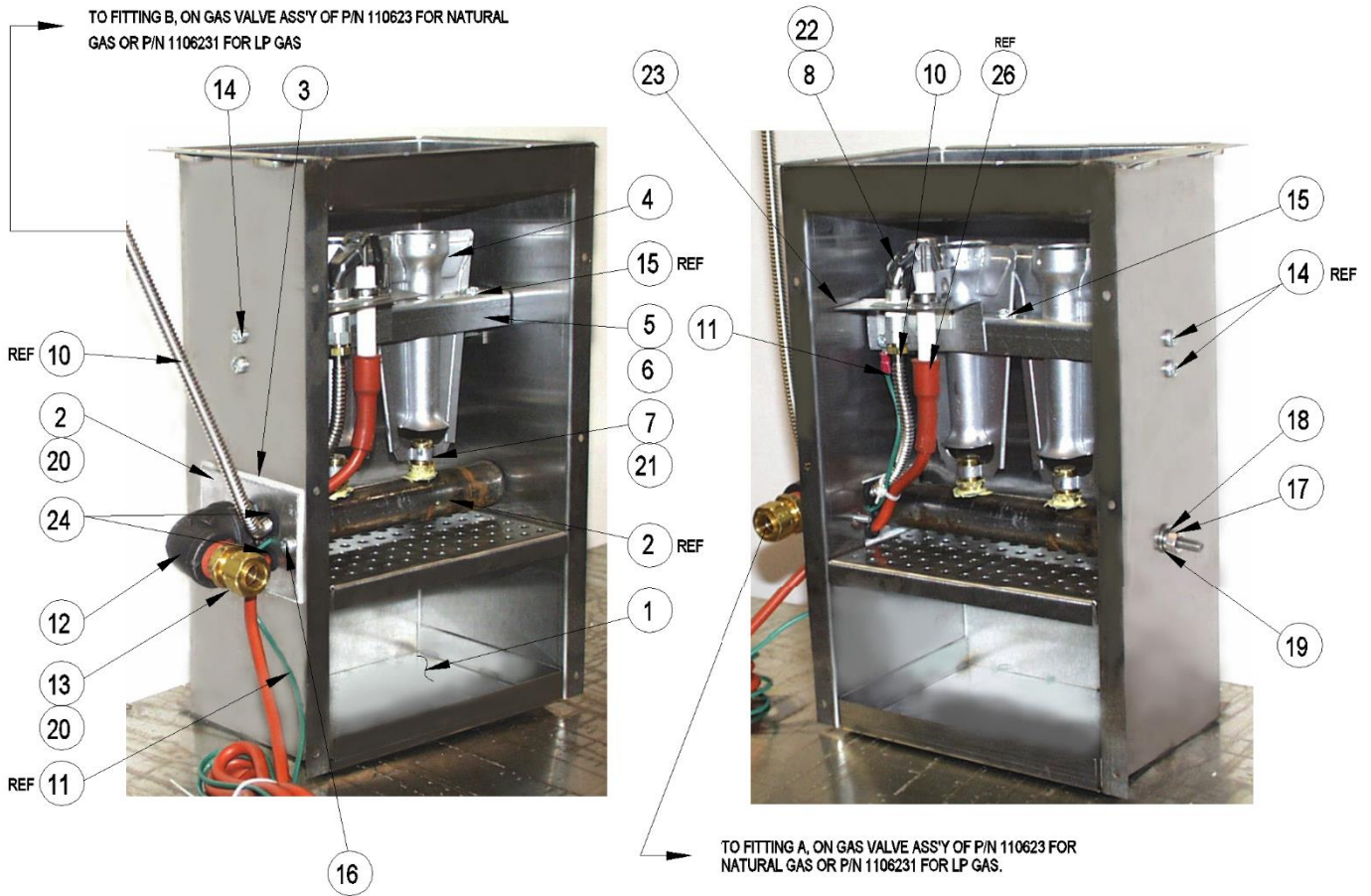


See next page for part numbers and descriptions.

Assembly Number: 110483 (NAT) & 110831 (LP)

Description: Generator Assembly, Gemini 10.2

Item	P/N	Description
1	108015	STEAM GENERATOR, ASSEMBLY, WELDMENT
2	110622	BURNER BOX ASSEMBLY, NAT
18	1106221	BURNER BOX ASSEMBLY, LP
3	110482	COVER ASS'Y, BURNER BOX
4	108954	INSULATION, GENERATOR
5	11000115711	7/8 BAFFLE ASSY, COMBUSTION, VERTICAL BOILER;24CGA10
6	109002	ASSY. BLOCKOFF PLATE, WELDMENT
7	104614	PLATE, GENERATOR CLEANOUT, STEAMCRAFT 3.1/5.1
8	07128	GASKET; 3 IN FLANGE HTR
9	108898	GASKET; BURNER BOX TO GENERATOR, 2 TUBE VERTICAL
10	107947	GASKET; BURNER BOX;6 PAN
11	02623	BUSHING, HEX, 1/2 X 1/4, BRASS
13	05260	ELBOW, 90°, 3/4 BRASS
14	111245	ELBOW, STREET, 45 DEG, 3/4 NPT, BRASS
15	110520	GASKET, FAN MOUNT
16	300094	BLOWER, 115V, 60Hz
17	14665	NUT, HEX, 1/4-20 LOCK, SST (NYLON INSERT)
19	109706	SCREW, 8-32, PHILLIPS, PAN HD, 1/2 LG, SST
20	19170	SCREW, HEX HD, 1/4-20x5/8, SST
21	14618	NUT, HEX, 1/4-20, STAINLESS STEEL
22	23105	WASHER, LOCK, 1/4" KATLINK STYLE, SST
23	23116	WASHER, FLAT, .281 ID x.625 OD x .065 THK, SST
24	109464	CLAMP, HIGH LIMIT RETAINING
25	101953	CLIP, INSULATION RETAINER, 1-1/2, .105 HOLE, GALV.
26	14431	NIPPLE, BRASS, 3/4 NPT x 2
27	06240	FTG, HOSE BARB, 3/4 X 3/4 MPT
28	06235	FITTING, 1/2" H X 3/4" NPT
32	108463	WINDOW, VIEWPORT
33	1084632	FRAME, VIEWPORT
34	1084631	GASKET, VIEWPORT
35	106754	SCREW, 6-32 X 3/8, HEX/SLOT-WASHER HD.
36	00934	SEALANT; PIPE DOPE; ONE PINT CAN, RECTORSEAL #5
37	108207	FTG; HOSE BARB; 1/2H X 3/8 SMOOTH
38	05253	ELBOW, STREET, 90°, 1/2 NPT, BRASS
39	105575	VALVE, PRESSURE RELIEF



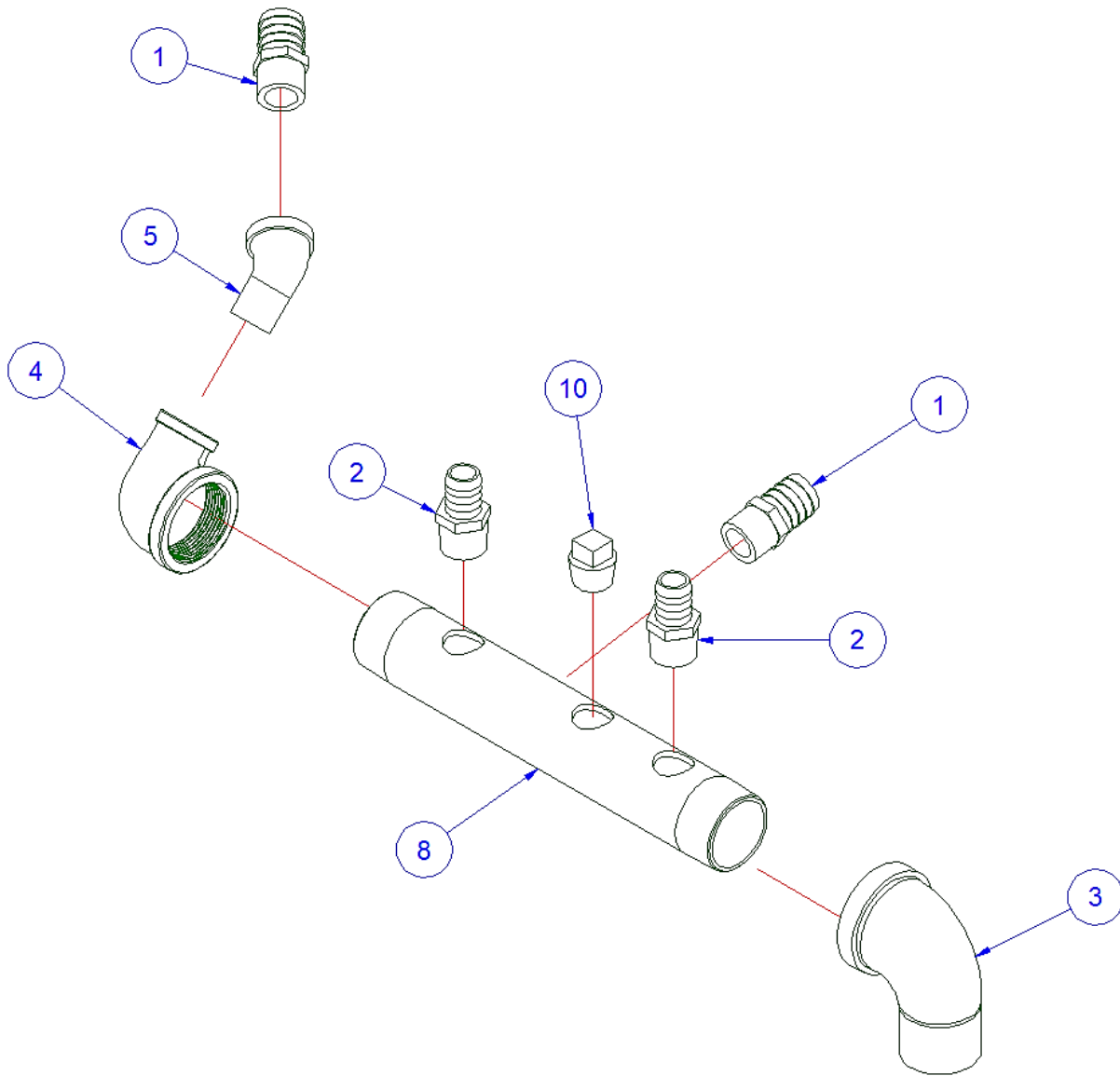
BURNER BOX ASS'Y
SHOWING MANIFOLD ASSY & BURNER ALIGNMENT

Assembly Number: 110622 (NAT) & 1106221 (LP)
Description: Burner Box Assembly, Gemini 10.2

Item	P/N	Description
1	108840	BACK, BURNER BOX ASSY, WELDMNT
2	107922	MANIFOLD ASY; WELDMT; 6-PAN GAS; VERTICAL BOILER
3	105940	GASKET; GAS MANIFOLD; VERTICAL BOILER.125.000BTU
4	105781	BURNER, INSHOT, 30,000 BTU
5	107920	CLAMP, BURNER GEMINI 6
6	107919	BRACKET, BURNER MOUNTING
7	-	ORIFICE, SEE ORIFICE CHART NATURAL GAS
21	-	ORIFICE, SEE ORIFICE CHART LP GAS
8	1057842	PILOT ASSEMBLY, NAT
22	1057841	PILOT ASSEMBLY, LP
10	108929	GAS LINE, PILOT
11	106145	WIRE ASM.GREEN;1 RING;1 BARE 50 LG
12	05271	ELBOW, 90 DEG.,3/4 X 1.2, BLACK, REDUCING
13	06204	FTG., COMP. 1/2Tx1/2MPT PARKER HANIFIN 68CA-8-8
14	106123	SCREW, 10-32 X 1/2, TORX/ PAN HD, THRD FORMING, ZN
15	101879	SCREW; HEX WASHER HD;THD TYPE F; #6-32 X 1/2; ZN
16	19287	SCREW, PAN HEAD 10-24 X .50" SST
17	14618	NUT, HEX, 1/4-20, STAINLESS STEEL
18	23105	WASHER, LOCK, 1/4" KATLINK STYLE, SST
19	23116	WASHER, FLAT, .281 ID x.625 OD x .065 THK, SST
20	00934	SEALANT; PIPE DOPE; ONE PINT CAN, RECTORSEAL #5
23	106412	BAFFLE, AIR, PILOT
24	106129	GROMMET, RUBBER
25	300261	TERMSLIP-ON;22-18AWG.032X.187 FEMALE
26	SM00100-2	CABLE, IGNITOR ASSEMBLY

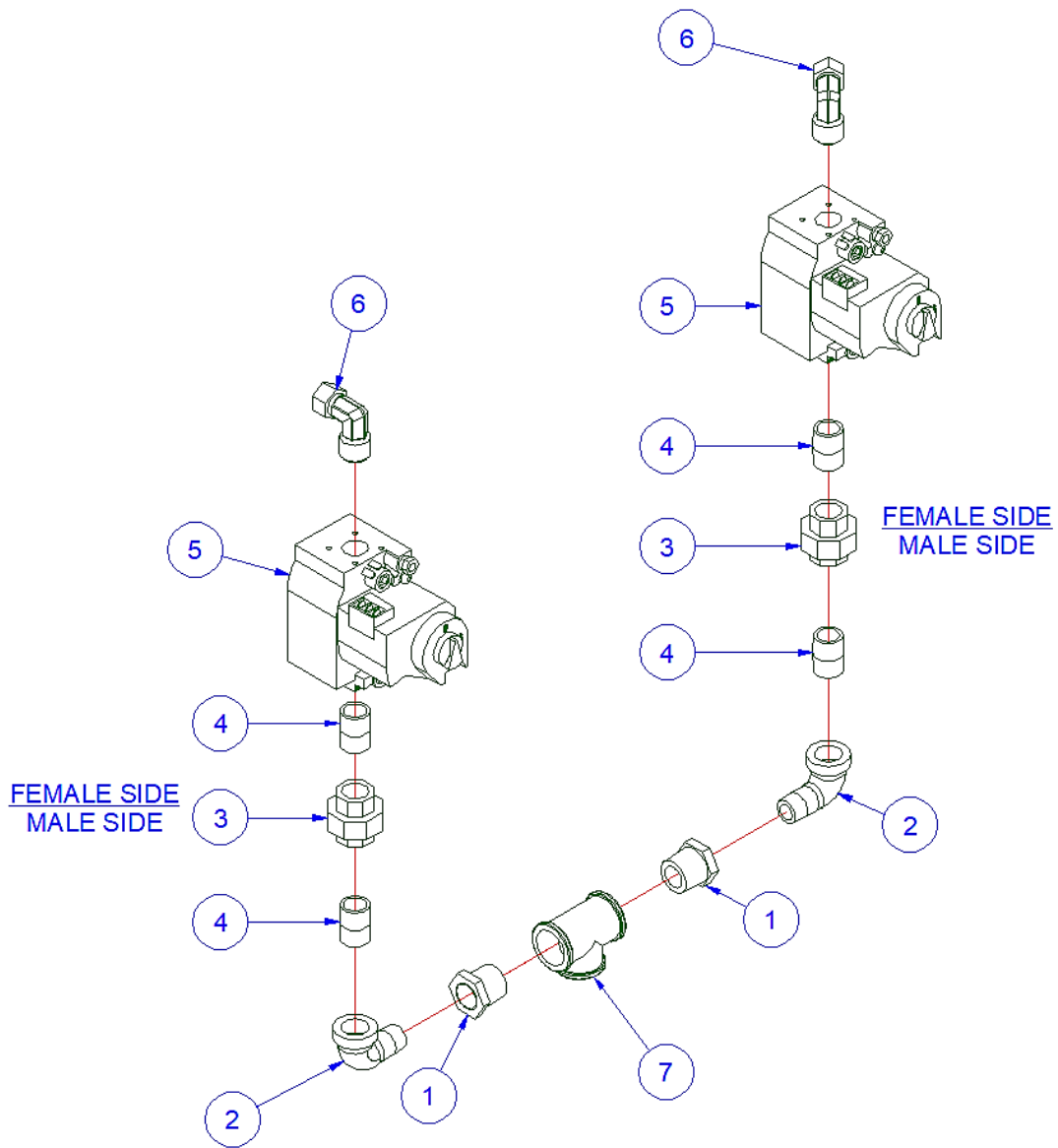
ORIFICE CHART NATURAL GAS (REF)				
ALTITUDE	P/N:	QTY	DESCRIPTION	HOLE SIZE
0 - 2999'	110929	2	ORIFICE, #29 DMS, VER GEN	#29(0.136±0.001)
3000 - 6999'	110930	2	ORIFICE, #30 DMS, VER GEN	#30(0.129±0.001)
7000 - 9999'	110931	2	ORIFICE, #31 DMS, VER GEN	#31(0.120±0.001)
10,000 - 11,000'	110932	2	ORIFICE, #32 DMS, VER GEN	#32(0.116±0.001)

ORIFICE CHART LP GAS (REF)				
ALTITUDE	P/N:	QTY	DESCRIPTION	HOLE SIZE
0 - 1999'	1109491	2	ORIFICE, 1.8 MM, VER GEN	1.8 MM (0.071±0.001)
2000 - 3999'	110950	2	ORIFICE, #50 DMS, VER GEN	#50 (0.070±0.001)
4000 - 6999'	110951	2	ORIFICE, #51 DMS, VER GEN	#51 (0.067±0.001)
7000 - 9999'	110952	2	ORIFICE, #52 DMS, VER GEN	#52 (0.064±0.001)
10000 - 11000'	110953	2	ORIFICE, #53 DMS, VER GEN	#53 (0.060±0.001)



Assembly Number: KE004050
Description: Drain Manifold Assembly

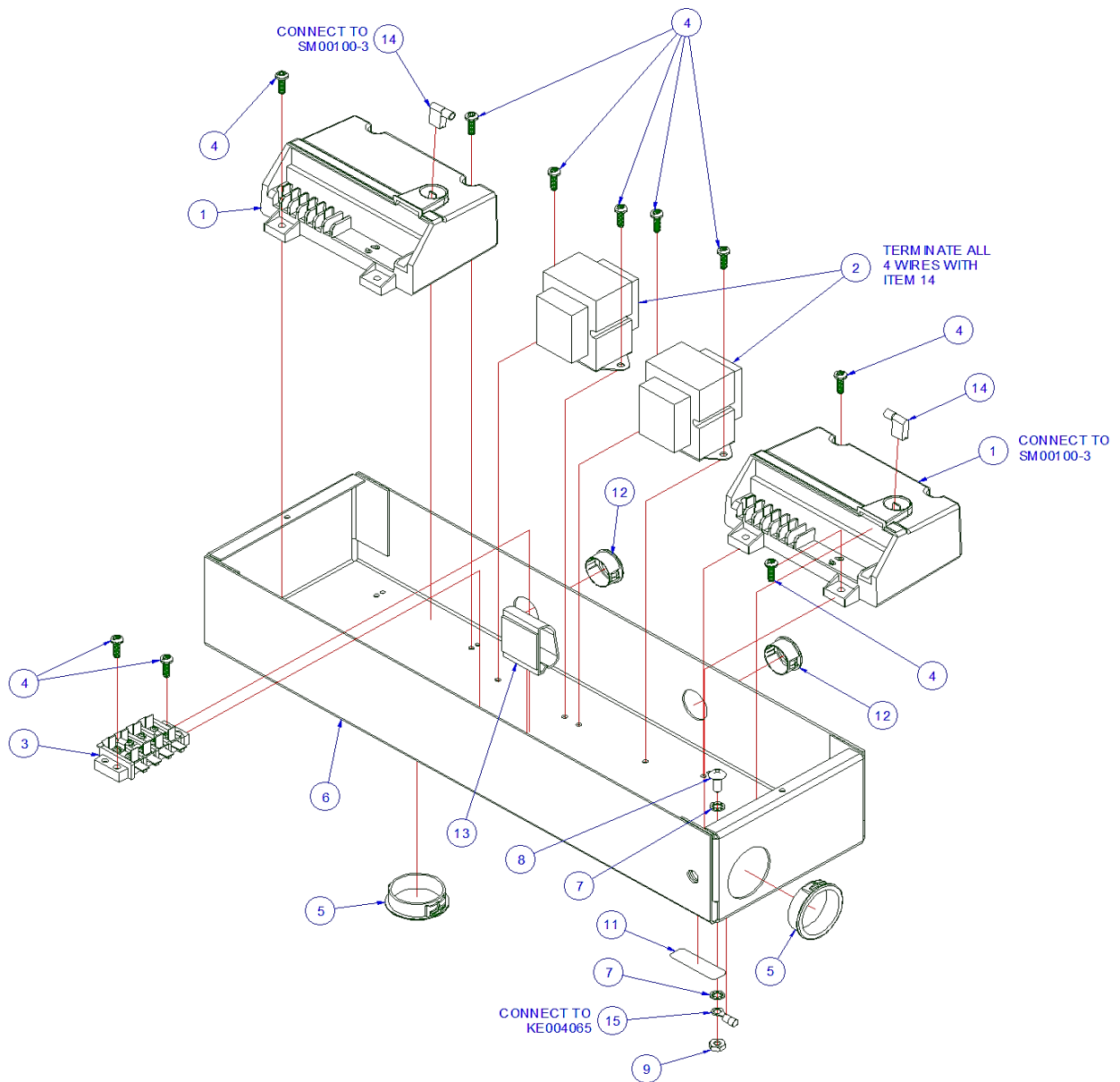
Item	P/N	Description
1	06185	FTG, HOSE BARB, 1"x3/4 MPT BR.
2	06240	FTG, HOSE BARB, 3/4 X 3/4 MPT
3	05292	ELBOW, STREET, 90°, 1-1/2, BLACK
4	102653	ELBOW; REDUCNG;1 1/2 IN X3/4 IN NPT; BLK
5	05237	ELBOW, STREET, 45 DEG, 3/4 IN BLACK
6	KE604222	MANIFOLD PIPE, DRAIN, GEMINI 10.2
7	00934	SEALANT; PIPE DOPE; ONE PINT CAN, RECTORSEAL #5
8	16608	PLUG, SQ HD, 3/4 PIPE, BLACK



Assembly Number: KE004054 (NAT) & KE004058 (LP)

Description: Dual Gas Valve Assembly, Gemini 10.2

Item	P/N	Description
1	02565	BUSHING, HEX, 1/2" X 3/4", BLACK
2	05252	ELBOW, STREET, 90°, 1/2 BLACK
3	21302	UNION, BLACK 1/2" # 150
4	14323	NIPPLE, 1/2 x CLOSE, BLACK
5	109877 1098771	VALVE, GAS, 2 STAGE, NAT VALVE, GAS, 2 STAGE, LP
6	06205	FTG; COMP. 1/2Tx1/2MPT 90' PARKER HANIFIN 169CA-8-8
7	20205	TEE, 3/4IN, BLACK
8	00934	SEALANT; PIPE DOPE; ONE PINT CAN, RECTORSEAL #5

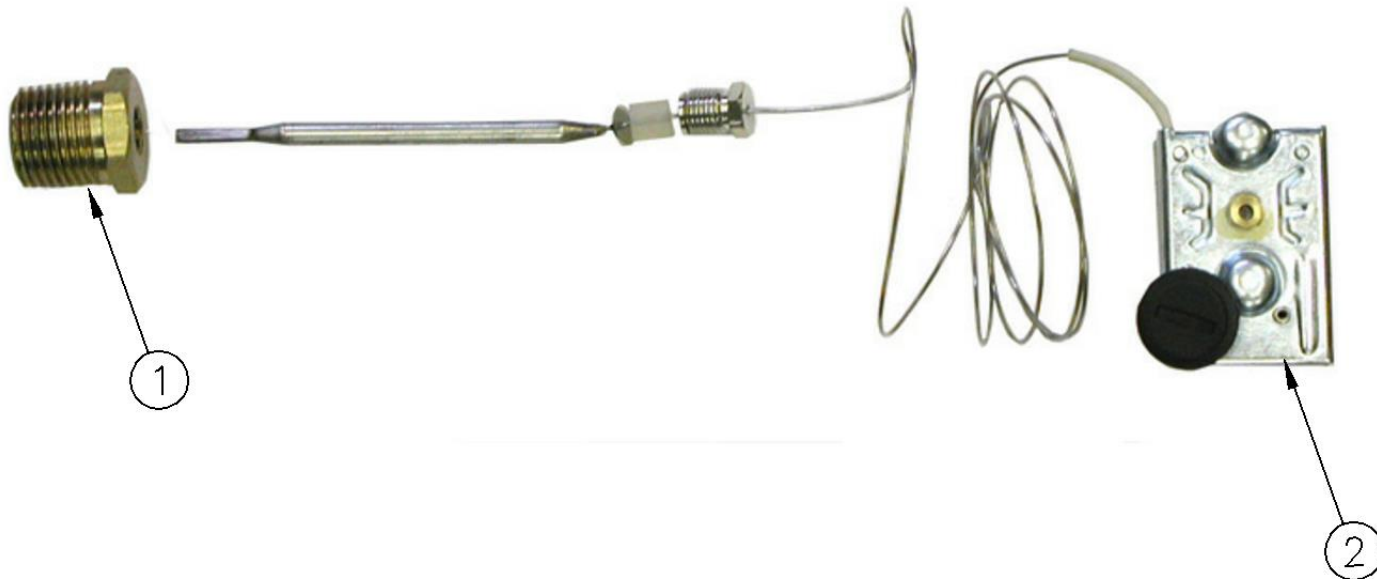


Assembly Number: KE004060

Description: Ignition Component Box Assembly, Gemini 10.2

Item	P/N	Description
1	105693	MODULE, SPARK CONTROL, INTERMITTENT PILOT
2	20528	TRANSFORMER, 120-24V, 40VA, 50/60 HZ, 9" LEADS
3	105990	TERMINAL BLOCK ASSEMBLY, 4 POLE, WITH TWO JUMPERS
4	106126	SCREW; 8-32X1/2; TORX/SLTPN HD; THREAD FORMING; ZN PLTD
5	102581	BUSHING, SNAP-IN FOR 1 1/2 DIA HOLE
6	KE604227	BOX; IGNITION COMPONENT
7	23114	WASHER, LOCK, INTRNL. TOOTH #10 TYPE A OR B, SST
8	101231	SCREW, 10-24 X 0.500 SST, PHILLIPS TRUSS HEAD
9	14659	NUT, HEX, #10-24, SST
10	20351	TERMINAL SLIPON, FULL-INSU 0.032 X0.25 TAB, 22-18
11	14897	LABEL, GROUND
12	KE54833-3	HEYCO BUSHING; 875 DIA NYLON HEYCO #5B875-9
13	23432	CLIP, MOUNTING; WIRE/CABLE
14	300641	1/4" FEMALE FLAG DISCONNECT, 22-18AWG
15	20338	TERMINAL, RING, INSULATED, #10 STUD, 22-16 AWG
16	WHKE004060-1 *	WIRING HARNESS ASSEMBLY

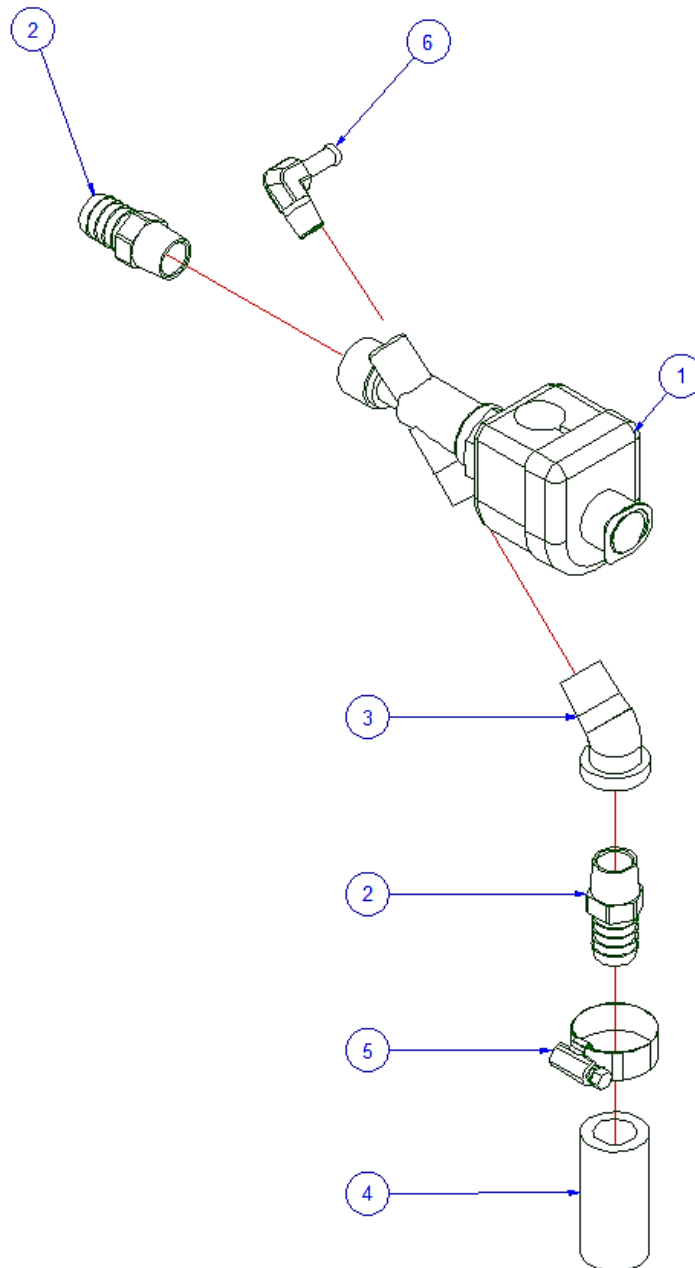
* NOT SHOWN



Assembly Number: 108995

Description: Hi-Limit Reset Switch Assembly, 140°C

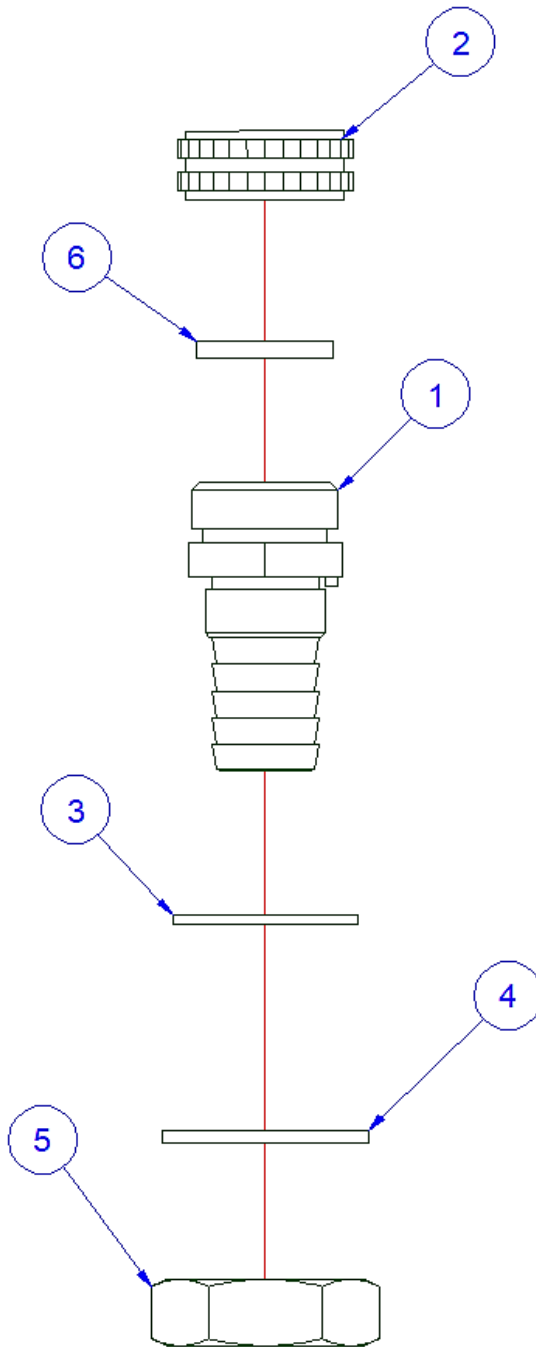
Item	P/N	Description
1	1089951	ADAPTER, 1/2-14 NPT X M10.1, BRASS
2	1089952	Hi-Limit Reset Switch, 140°C



Assembly Number: KE004051

Description: Solenoid Drain Valve Assembly, Gemini 10.2

Item	P/N	Description
1	22221	VALVE, SOLENOID, 1/2" DRAIN, 18IN LEAD
2	06241	FTG, HOSE BARB,3/4HX1/2MPT, BR.
3	05223	ELBOW, STREET, 45 DEG., 1/2" NPT, BRASS
4	08511	HOSE, WHITE, EPDM, 3/4" ID
5	03204	CLAMP, HOSE, WORM DRIVE 0.812 X 1.50 DIA
6	111289	FITTING, ELBOW, 90 1/4" HOSE X 1/4" NPT MALE
7	00934	SEALANT; PIPE DOPE; ONE PINT CAN, RECTORSEAL #5
8	20351	TERMINAL SLIPON, FULL-INSU 0.032 X0.25 TAB, 22-18



Assembly Number: 109641

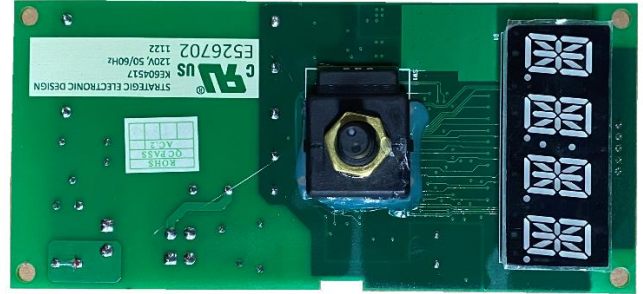
Description: De-scaler Port Assembly, Gemini 10.2

Item	P/N	Description
1	109642	FTG., DESCALER PORT
2	108031	CAP, HOSE NUT 3/4" HOSE THD.
3	109646	GASKET, DESCALER PORT
4	109645	WASHER, FLAT 0.890 ID X 1.500 OD X 0.090 THK, SST
5	109644	NUT, HEX JAM 7/8-14, BRASS
6	108034	WASHER, 3/4" HOSE (DESCALER PORT)

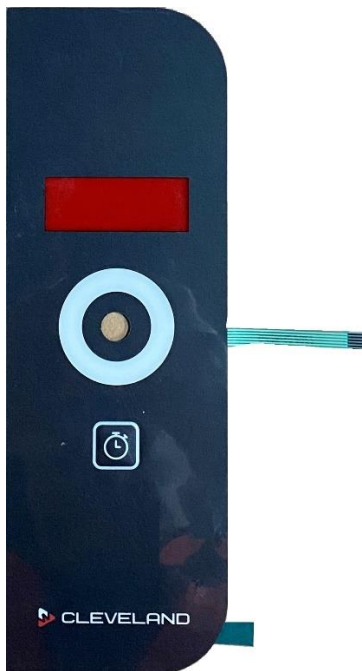
Assembly Number: KE004164
Description: EasyTimer Assembly



KE604176 EasyTimer Control/Timer Knob



KE604517 EasyTimer PCB



KE604518 EasyTimer Overlay

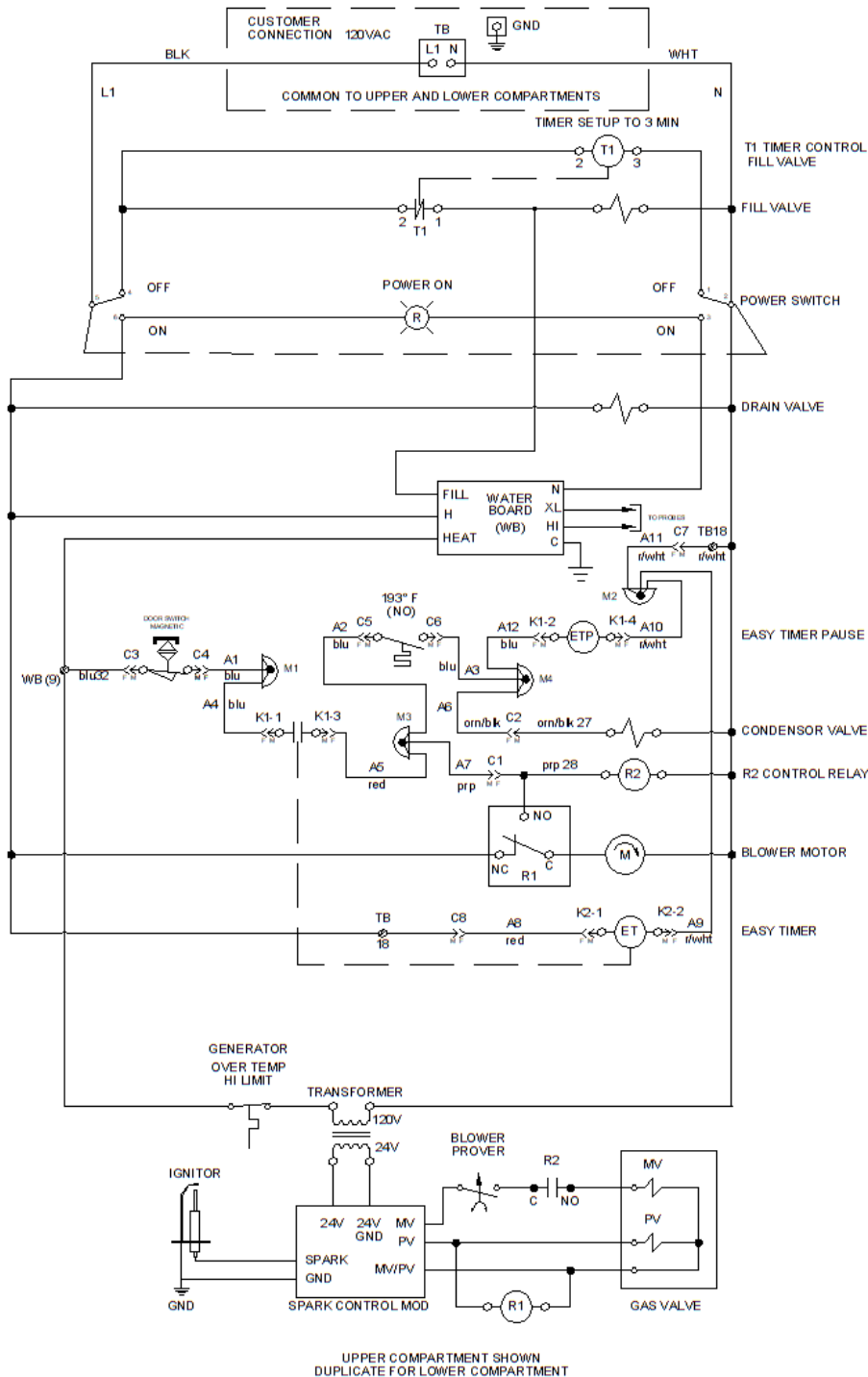


KE604710 EasyTimer Plastic Insert

Assembly Number: KE604611

Description: Wiring Diagram (1 of 2)

GEMINI 6.2/10.2
EASY TIMER - GAS



COMPONENT PARTS LIST

P/N	DESCRIPTION
1- 1057842	IGNITOR, NATURAL GAS
1057841	IGNITOR, PROPANE GAS
2- 109877	GAS VALVE, NATURAL
1098771	GAS VALVE, PROPANE
3- 105693	IGNITION CONTROL MODULE
4- 20528	SPARK IGNITION TRANSFORMER
5- 108995	HI LIMIT CAPILLARY SWITCH
6- 110786	BLOWER W/ SENSOR
7- 108285	24VAC RELAY
8- 105966	120VAC RELAY
9-107241	WATER LEVEL CONTROL BOARD
10-107239	LEVEL CONTROL PROBE
11- 20478	3 MINUTE INTERVAL TIMER
14- 19993	POWER ON SWITCH (RED)
15- 108880	DOOR SWITCH- SCS
16- 22218	CONDENSER VALVE
17- 222231	FILL VALVE
18- 300154	TERMINAL BLOCK ASSEMBLY
19- 105990	TERMINAL BLOCK ASSEMBLY
20- 20304	GROUND LUG
21- 20301	TERMINAL BLOCK SECTION (QTY. 2)
21A- 20302	TERMINAL BLOCK END
22- SM00100-3	IGNITOR CABLE ASSEMBLY
26- 19972	COMP. THERMOSTAT 193° F (NO.)
27- 22221	DRAIN VALVE SOLENOID

KE604611 - A

Cleveland

Service/Parts:

1-844-724-2273

US: Press #4 after prompt to be directed to Technical Services. Press #2 after prompt to be directed to Cleveland.

Canada: Press #1 after prompt to be directed to service in Canada.

Every new piece of Welbilt Foodservice equipment comes with KitchenCare® and you choose the level of service that meets your operational needs from one restaurant to multiple locations

StarCare – Warranty & lifetime service, certified OEM parts, global parts inventory, performance audited

ExtraCare – CareCode, 24/7 Support, online/mobile product information

LifeCare – Install & equipment orientation, planned maintenance, KitchenConnect™, MenuConnect®

Talk with KitchenCare® • 1-844-724-CARE • www.mtwkitchencare.com



To learn how Welbilt Foodservice and its leading brands can equip you, visit our global web site at www.welbilt.com, then discover the regional or local resources available to you.

©2016 Welbilt Foodservice except where explicitly stated otherwise. All rights reserved. Continuing product improvement may necessitate change of specifications without notice.