



Visit www.clevelandrange.com to locate a service or sales representative in your area.

Cleveland

SteamCraft Power 10

Gas Steam Boiler & Convection Steamer with Easy Timer

Operation, Installation & Maintenance Manual

This manual is updated as new information and models are released. Visit our website for the latest manual.

MODEL:

24CGP10

For your future reference.

Model # _____

Serial # _____



***Read the manual thoroughly.
Improper installation, operation or
maintenance can cause property
damage, injury, or death.***

Part # KE004039-2 Rev D
February 2024

STATEMENT OF RESPONSIBILITIES / DÉCLARATION DES RESPONSABILITÉS / DECLARACIÓN DE RESPONSABILIDADES

This document is for use by experienced and trained Qualified Cleveland Range, LLC Authorized Service Representatives who are familiar with both the safety procedures, and equipment they service. Cleveland Range, LLC assumes no liability for any death, injury, equipment damage, or property damage resulting from use of, improper use of, or failure to use the information contained in this document. Cleveland Range, LLC has made every effort to provide accurate information in this document but cannot guarantee that this document does not contain unintentional errors and omissions.

The information in this document may be subject to technical and technological changes, revisions, or updates. Cleveland Range, LLC assumes no liability or responsibility regarding errata, changes, revisions, or updates.

Qualified Cleveland Range, LLC Authorized Service Representatives are obligated to follow industry standard safety procedures, including, but not limited to, OSHA regulations, and disconnect / lock out / tag out procedures for all utilities including steam, and disconnect / lock out / tag out procedures for gas, electric, and steam powered equipment and / or appliances.

All utilities (gas, electric, water and steam) should be turned OFF to the equipment and locked out of operation according to OSHA approved practices during any servicing of Cleveland Range equipment.

Qualified Cleveland Range, LLC Authorized Service Representatives are obligated to maintain up-to-date knowledge, skills, materials, and equipment.

Ce document est destiné à l'usage des Représentants de Service qualifiés et autorisés de Cleveland Range, LLC qui possèdent l'expérience et la formation ainsi que la bonne connaissance des mesures de sécurité et du matériel qu'ils entretiennent.

Cleveland Range, LLC décline toute responsabilité pour tout cas de décès, blessure, dommage matériel ou dommage aux biens résultant de l'utilisation, de la mauvaise utilisation ou du manquement d'utilisation des renseignements contenus dans ce document.

Cleveland Range, LLC s'est efforcé à fournir des renseignements précis dans ce document mais ne peut garantir que ce document soit exempt d'erreurs et d'omissions non intentionnelles.

Les renseignements contenus dans ce document peuvent être assujettis à des changements techniques et technologiques, des révisions ou des mises à jour.

Cleveland Range, LLC décline toute obligation ou responsabilité concernant les errata, modifications, révisions ou mises à jour.

Les Représentants de Service qualifiés et autorisés de Cleveland Range, LLC sont tenus de se conformer aux mesures de sécurité normalisées de l'industrie, y compris, mais sans s'y limiter, les réglementations de l'OSHA, les procédures de débranchement / verrouillage / étiquetage relatives à tous les services publics, dont l'approvisionnement en vapeur, et les procédures de débranchement / verrouillage / étiquetage relatives aux équipements et/ou appareils fonctionnant au gaz, à l'électricité et à la vapeur.

Au cours de tout entretien d'un appareil Cleveland Range, tous les services publics (gaz, électricité, eau et vapeur) doivent être FERMÉS au niveau de l'appareil et le dispositif de fonctionnement doit être verrouillé suivant les pratiques approuvées de l'OSHA.

Les Représentants de Service qualifiés et autorisés de Cleveland Range, LLC sont tenus d'actualiser en permanence leurs connaissances, compétences, matériel et équipement.

Este documento está destinado para el uso de los Representantes de Servicio calificados y autorizados de Cleveland Range, LLC quienes cuentan con la experiencia y la capacitación, así como el buen conocimiento de las medidas de seguridad y de los equipos que mantienen.

Cleveland Range, LLC, declina toda responsabilidad en caso de cualquier fallecimiento, lesiones, daños al equipo o daños a la propiedad resultantes de la utilización, del uso indebido o de la falta de utilización de la información provista en este documento.

Cleveland Range, LLC se ha esforzado en suministrar información precisa en este documento, pero no puede garantizar que este documento esté exento de errores y de omisiones no intencionales.

La información contenida en este documento podría estar sujeta a cambios técnicos o tecnológicos, revisiones o actualizaciones. Cleveland Range, LLC declina toda obligación o responsabilidad con respecto a erratas, modificaciones, revisiones o actualizaciones.

Los Representantes de Servicio calificados y autorizados de Cleveland Range, LLC tienen la obligación de seguir los procedimientos estándar de seguridad de la industria; los cuales incluyen pero no se limitan a los reglamentos de la OSHA (La Administración de la Seguridad y Salud Ocupacionales), los procedimientos de desconexión, cierre y etiquetado relativos a todos los servicios públicos incluyendo el suministro de vapor y los procedimientos de desconexión, cierre y etiquetado para los equipos y/o aparatos que funcionan a base de gas, electricidad o vapor.

Cuando se esté dando servicio o mantenimiento a un aparato de Cleveland Range, todos los servicios públicos (gas, electricidad, agua y vapor) deben estar APAGADOS para el equipo en cuestión y se debe seguir el procedimiento de cierre de operaciones de acuerdo con las prácticas aprobadas por la OSHA.

Los Representantes de Servicio calificados y autorizados de Cleveland Range, LLC tienen la obligación de actualizar constantemente sus conocimientos, destrezas, materiales y equipamiento.

**FOR YOUR SAFETY / POUR VOTRE SÉCURITÉ /
PARA SU SEGURIDAD**

FOR YOUR SAFETY

Do not store or use gasoline or any other flammable liquids and vapours in the vicinity of this or any other appliance.

WARNING: Improper installation, operation, adjustment, alteration, service, or maintenance can cause property damage, injury, or death. Read the installation and operating instructions thoroughly before installing, operating, or servicing this equipment.

Do not spray aerosols in the vicinity of this appliance while it is in operation.

This appliance is not to be used by persons with reduced physical, sensory, or mental capabilities, or lack of experience and knowledge, unless they have been given supervision or instruction concerning use of the appliance by a person responsible for their safety.

This appliance is not for use by children, and they must be supervised not to play with it.

Retain this manual for your reference.

POUR VOTRE SÉCURITÉ

Ne pas entreposer ou utiliser d'essence ou d'autres liquides ou vapeurs inflammables à proximité de cet appareil ou de tout autre appareil.

AVERTISSEMENT : Toute mauvaise pratique en matière d'installation, de fonctionnement, de réglage, de modification, d'entretien ou de maintenance peut causer des dommages matériels, des blessures ou la mort. Lisez la totalité des instructions d'installation et d'utilisation avant d'installer, d'utiliser ou d'entretenir cet équipement.

Ne pas pulvériser des aérosols dans le voisinage de cet appareil alors qu'il est en fonctionnement.

Cet appareil ne doit pas être utilisé par des personnes dont les capacités physiques, sensorielles ou mentales sont réduites, ou des personnes dénuées d'expérience ou de connaissance, sauf si elles ont pu bénéficier, par l'intermédiaire d'une personne responsable de leur sécurité, d'une surveillance ou d'instructions préalables concernant l'utilisation de l'appareil.

Conservez ce manuel pour votre référence.

PARA SU SEGURIDAD

No guarde ni use gasolina o cualesquiera otros líquidos o vapores inflamables en las cercanías de éste o cualquier otro aparato.

ADVERTENCIA: La indebida instalación, operación, ajuste, modificación, servicio o mantenimiento puede ocasionar daños a la propiedad, lesiones o muerte. Lea detenidamente las instrucciones de instalación y de operación antes de instalar, poner a funcionar o dar servicio a este equipo.

No pulverice aerosoles en las proximidades de este aparato mientras está en funcionamiento.

Este aparato no debe ser utilizado por personas con capacidades físicas, sensoriales o mentales reducidas, o que no tengan la experiencia y los conocimientos adecuados, a menos que estas personas hayan recibido supervisión e instrucciones en cuanto al uso del aparato por la persona responsable de la seguridad de ellas.

Guarde este manual para su referencia.

WARNING / AVERTISSEMENT / ADVERTENCIA



Inspect unit daily for proper operation. / Inspecter le bloc quotidiennement pour garantir le fonctionnement normal. / Inspeccione diariamente el funcionamiento correcto de la unidad.



Heavy. / Lourd. / Pesado.

Team or mechanical lift. / Levage en équipe ou mécanique. / Levantamiento en equipo o mecánico.



Surfaces may be extremely hot! Use protective equipment. / Les surfaces peuvent être extrêmement chaudes! Utiliser des équipements de protection. / ¡Las superficies pueden estar muy calientes! Utilice equipo protector.



Do not climb, sit, or stand on equipment. / Il ne faut pas monter, s'asseoir ni se tenir debout sur l'équipement. / No subirse, ni sentarse ni pararse sobre el equipo.



Do not remove guards or operate without them. / Ne pas supprimer les gardes ou fonctionner sans eux. / No retire los guardias ni funcionar sin ellos.



Keep hands away from moving parts and pinch points. / Tenir les mains à l'abri des pièces mobiles et des angles. / Mantenga las manos lejos de las piezas móviles y los puntos de presión.



Hot product and surfaces. / Produit et surfaces chaudes. / Producto y superficies calientes.



Keep clear of pressure discharge. / Se tenir hors de portée de la purge des soupapes de surpression. / Manténgase alejado de la descarga de presión.



Unit must be anchored as per manual. / Unité doit être ancrée selon les directives du manuel. / Unidad debe estar fijado según el manual.



Floor may become slippery from product spillage. / Déversement de produit peut causer de plancher à être glissant. / Derrame de producto puede causar piso a ser resbaladizo.



Have a qualified service technician maintain your equipment. / Demandez à un technicien en entretien et en réparation qualifié d'effectuer l'entretien de votre équipement. / Haga que un técnico de servicio calificado mantenga su equipo.



Shut off power at main fuse disconnect prior to servicing. / Couper l'alimentation sur le principal fusible sectionneur avant l'entretien. / Apague la alimentación eléctrica en el fusible desconector principal antes de darle servicio.



Ensure equipment is at room temperature and pressure gauge is showing zero or less prior to removing any fittings. / S'assurer que le chaudron se trouve dans une température ambiante et que le manomètre affiche zéro ou moins avant de déposer les raccords. / Asegúrese de que la marmita está a temperatura ambiente y el manómetro está mostrando cero o menos antes de quitar cualquier accesorio.



Appliance must not be supplied through an external switching device that is regularly switched on and off. / L'appareil ne doit pas être alimenté par un interrupteur externe régulièrement allumé et éteint. / El aparato no debe ser alimentado a través de un dispositivo de conmutación externo que se encienda y apague periódicamente.

OPERATION, INSTALLATION & MAINTENANCE MANUAL MODEL 24CGP10

TABLE OF CONTENTS

CHAPTER 1 GENERAL INFORMATION.....	5
A. Laws, Codes, and Regulations	5
B. Gas Leak Instructions	5
C. Operational Safety.....	5
D. Inspection for Shipping Damage	6
CHAPTER 2 PRODUCT INFORMATION	7
A. Product Information	7
B. Model Numbers and Serial Numbers.....	7
C. Product Information Plate.....	7
D. Product Views	8
CHAPTER 3 INSTALLATION PROCEDURE	10
A. Select a Location.....	10
B. Exhaust Hood Requirements	10
C. Positioning and Leveling the Steamer.....	11
D. Install Slide Racks (Pan Racks).....	11
E. Install the Free Air Vented Drain Lines.....	11
F. Install Gas Supply Lines	12
G. Install Electric Power Lines	13
H. Water Supply Requirements and Installation	14
I. Installation Checklist	16
CHAPTER 4 COOKING WITH THE 24CGP10	17
A. Cooking Procedure.....	17
CHAPTER 5 EASY TIMER OPERATING INSTRUCTIONS.....	19
A. Main External Power Switch	20
B. Inspecting the Cooking Compartment.....	20
C. Power On (Automatic Fill)	20
D. Lighting and Shutdown Instructions	22
E. Preheating the Steamer	22
CHAPTER 6 SHUTDOWN AND CLEANING PROCEDURES	23
A. Boiler Blowdown.....	23
B. Shut Down and Cleaning	23
CHAPTER 7 OPERATING TESTS AND FINAL CHECKOUT PROCEDURES	25
A. Burner Ignition Test (Lighting and Shutdown Instructions)	25
B. Startup Procedure with the Appliance De-Energized.....	26
C. Boiler Drain and Rinse Cycle Inspection (3-minute Blowdown Cycle).....	26
D. Operating Test Procedures	27
E. Optional Compartment Door Steam Shut Off Switch (SCS)	28
F. Function Test for the Optional Steam Shut Off Switch	28
CHAPTER 8 PREVENTATIVE MAINTENANCE	29
A. General Information	29
B. Maintenance and Service Records	26
C. Daily Maintenance	27
D. Weekly Maintenance.....	28
E. Monthly Maintenance	28
F. Yearly Maintenance	32
CHAPTER 9 TROUBLESHOOTING GUIDE.....	33

CHAPTER 1 GENERAL INFORMATION

A. Laws, Codes, and Regulations

This equipment should be installed only by qualified, professional plumbers, pipe fitters, and electricians.

1. The installation of this appliance must conform with:
 - a) The National Fuel Gas Code, ANSI Z223.1 / NFPA 54 (latest edition), or the Natural Gas and Propane Installation Code CSA B149.1, as applicable.
 - b) The National Electrical Code, ANSI/NFPA 70 (latest edition), or the Canadian Electrical Code, CSA C22.2, as applicable.
 - When installed, the appliance must be electrically grounded in accordance with the above.
 - Note: This appliance is not GFI (GFCI) compatible.
 - c) The *Food Code* (latest edition) of the Food and Drug Administration (FDA).
2. This equipment is to be installed to comply with the applicable federal, state, or local plumbing codes.
3. This appliance is equipped with a Boiler as defined by Section IV of the ASME Boiler and Pressure Vessel Code (latest edition). In addition to compliance with all applicable codes and regulations, compliance with all laws regarding Boilers and Pressure Vessels, including, but not limited to, operator training, and obtaining permits and licenses is required before starting the Boiler.
4. Installation instructions must be read in their entirety before starting installation.
5. Install this appliance according to the policies and procedures outlined in this manual.
6. Installation must comply with **all** local fire and health codes.

DANGER

Improper installation, adjustment, alteration, service, or maintenance of this appliance, or installation of a damaged appliance can result in DEATH, INJURY, EQUIPMENT DAMAGE, and void the warranty.

NEVER install damaged appliances, equipment, or accessories.

ALWAYS have installation and service performed by qualified Cleveland Range authorized personnel.

B. Gas Leak Instructions

DANGER

Gas leaks are fire and explosion hazards. INJURY, DEATH, and PROPERTY DAMAGE will result.

If anyone smells gas, or suspects there is a gas leak, immediately refer to the posted gas leak instructions. The posted instructions are provided by the local gas supplier and supersede any other instructions.

Observe the following precautions in addition to the posted instructions:

- Do NOT light or start any appliance.
- Do NOT touch any electrical switch.
- Do NOT use any phone in the building.
- Immediately call the gas supplier from a phone away from the building.
- Follow the gas supplier's instructions.
- If the gas supplier cannot be reached, call the fire department.

C. Operational Safety

The Operational Safety section outlines minimum safety policies and procedures for operating one or more Cleveland Range appliances.

1. Do not store anything on top and underneath the appliance.
2. KEEP THE APPLIANCE AREA FREE AND CLEAR OF COMBUSTIBLES.

3. Proper air supply for ventilation is REQUIRED for and CRITICAL to safe, efficient operation of this appliance.
4. Place non-slip draining anti-fatigue mats rated for use in wet, greasy, or dry work areas on the floor in front of the appliance and other locations as needed. Obtain the best mats for your needs from your local supplier.
5. Wear BOOTS appropriate to the work area to help protect feet, and to help prevent slips and falls.
6. Allow only qualified Cleveland Range authorized service representatives to service the appliance.
7. Use only factory authorized repair parts.
8. Maintain written records of appliance service, maintenance, and repair. See Chapter 8.

DANGER

Operating this appliance out of level can cause DEATH, INJURY, and EQUIPMENT DAMAGE.

This appliance must be level both front-to-back and side-to-side in all installations.

NEVER operate this appliance out of level.

If this appliance is suspected to be out of level, shut it down at once and call your qualified Cleveland Range authorized service agency immediately.

D. Inspection for Shipping Damage

If the appliance is damaged or damage is suspected:

1. Submit a Damage Claim to the shipper and inform your dealer immediately.
2. Inform Cleveland Range in writing within three (3) days.

CHAPTER 2 PRODUCT INFORMATION

A. Product Information

- This manual covers the operation of the Gas Steam Boiler & Convection Steamer, Cleveland Range model 24CGP10 (power 10) and covers the standard features and options available on this appliance.
- Other than the selection of options, there are presently no significant design, parts, or operating differences among appliances with these model numbers.
- For further information, contact your Cleveland Range sales representative or Cleveland Range.

B. Model Numbers and Serial Numbers

1. Cleveland Range, LLC assigns two product identification numbers to each appliance: a model number and a serial number.
2. Please provide the model number and serial number when you contact Cleveland Range or a qualified Cleveland Range authorized service representative.

- Model Number _____

(Write the Model Number of your appliance here)

- Serial Number _____

(Write the Serial Number of your appliance here)

C. Product Information Plate

The Product Information Plate on the left side of the appliance lists:

- Model
- Serial Number
- Clearances
- Power and Wiring Requirements
- Fuel Gas Type and Requirements

D. Product Views

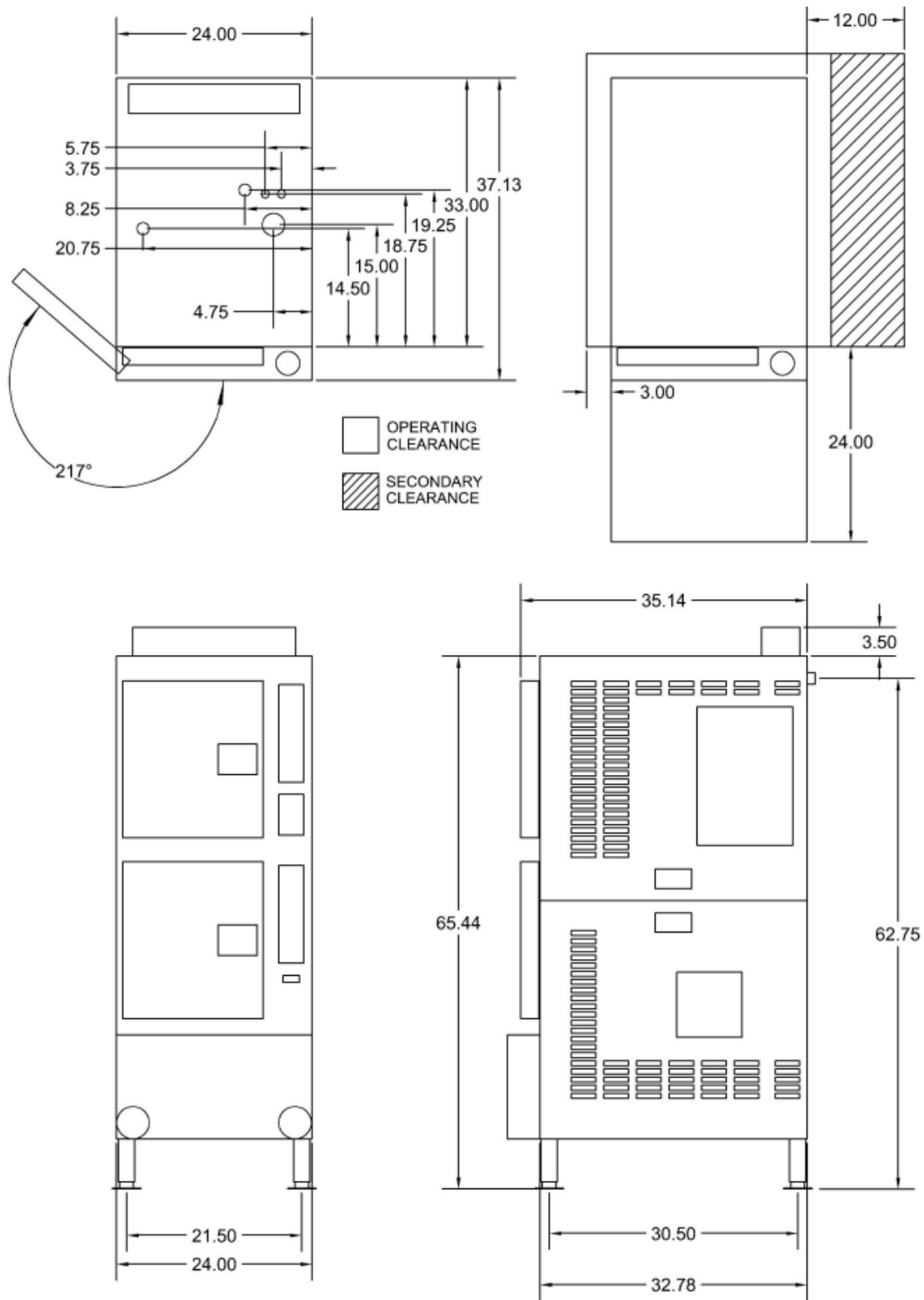
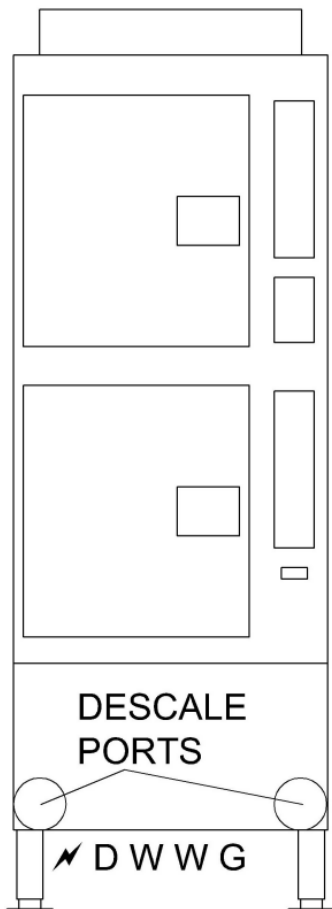
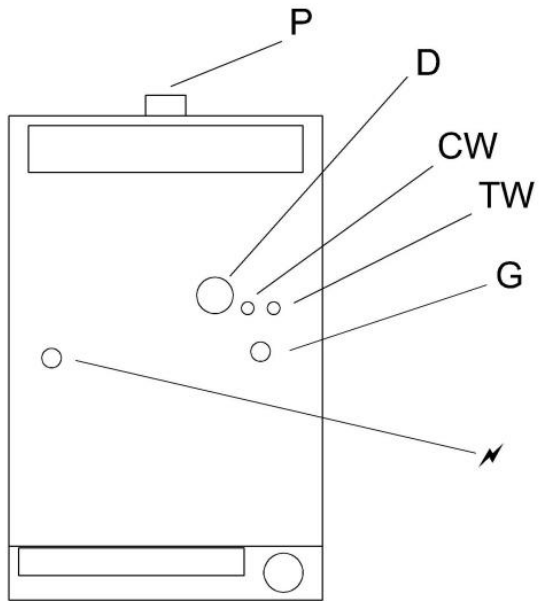


Figure 2-1
24CGP10 PRODUCT VIEWS
Plan, Front, and Side Views
Dimensions in Inches



Key to Connections

- P** POWER TAKE-OFF
- D** DRAIN CONNECTION, 1 1/2" NPT. This is the connection point for the drain line.
NOTE: The drain **MUST NOT** be located beneath the steamer itself.
- CW** COLD WATER, 3/8" NPT
- TW** TREATED WATER, 3/8" NPT
- G** GAS, 3/4" NPT
- ⚡** ELECTRICITY

Note: The PTO is on the back of the appliance. The other utility connections are on the bottom.

Note: The Boiler Descale Ports are located behind the Condensate Drip Trough.

Figure 2-2
24CGP10
Utility Locations

CHAPTER 3 INSTALLATION PROCEDURE

DANGER

Operating this appliance out of level can cause DEATH, INJURY, and EQUIPMENT DAMAGE. This appliance must be level both front-to-back and side-to-side in all installations.

NEVER operate this appliance out of level.

If this appliance is suspected to be out of level, shut it down at once and call your qualified Cleveland Range authorized service agency immediately.

A. Select a Location

For safe and efficient operation:

1. Installation must comply with all local fire and health codes.
2. The location selected must be capable of supporting this appliance.
 - The operating weight of a 24CGP10 is 1186 pounds.
3. Position the appliance so it will not tip or slide.
4. The operating surface must be level enough to allow leveling with the adjustable legs. This appliance **MUST** be level both front to back and side to side before operation.
5. A suitable drain must be available within 12 feet of this appliance. Do NOT install the appliance directly over a drain.
6. The location must include space for Operating and Service/Secondary Clearances and the Exhaust Hood. See Figure 2-1.

WARNING

All clearance requirements above, below, and around this appliance are the same for non-combustible locations as for combustible locations.

Failure to maintain required clearances and additional distances as needed can result in INJURY and EQUIPMENT DAMAGE.

Consult manufacturers' literature, and sales and service agencies as needed.

7. KEEP THE APPLIANCE AREA FREE AND CLEAR OF COMBUSTIBLES.
8. Proper air supply for ventilation is REQUIRED for and CRITICAL to safe, efficient operation of this appliance.
9. Make sure the air vents of this appliance are not blocked with or by anything.
10. Allow for sufficient extra distance if a "high heat source," e.g., a broiler, is located next to this appliance. Contact Cleveland Range for recommendations.
11. Do NOT install this appliance directly over a drain. Steam rising up out of the drain will adversely affect operation, hamper cooling air circulation, and damage electrical and electronic components.

B. Exhaust Hood Requirements

1. This gas fired appliance must be installed under a suitable ventilation hood as required by the National Fuel Gas Code, ANSI Z223.1/NFPA 54 and ANSI Z83.11-2004 / CSA 1.8-2004.
2. The ventilation hood system must include an interlock to prevent the operation of this appliance without the operation of the ventilation hood.
3. The exhaust hood must extend over the gas flue opening and meet the following requirements:
 - a) This gas fired appliance must be vented in accordance with all local, state and national codes for venting gas fired appliances.
 - b) The exhaust hood must be sized for the cumulative ventilation requirements of all the gas-fired

appliances in the area under the hood, including this appliance.

- The BTU/HR for a 24CGP10 is 240,000.

c) If an existing hood does not meet all specifications, a new one must be constructed.

d) When determining hood size, include operating clearances. See Figure 2-1.

C. Positioning and Leveling the Steamer

1. Move the appliance into position.
2. Place a level along the bottom edge of the appliance.
3. Use the adjustable legs of the appliance to level it front-to-back and side-to-side.

D. Install Slide Racks (Pan Racks)

1. Refer to Figure 3-1. Each rack has four loops: two at the top and two at the bottom. Hold the slide rack so the ends of the hanger loops are towards the cavity wall, as shown in the figure.
2. Slide one rack into the compartment with loops toward one side.
3. Hook the loops over the top and bottom pins.
4. Repeat steps 1 through 3 for the other racks.

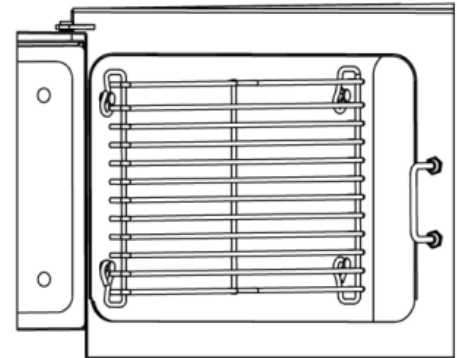


Figure 3-1
Slide Rack Installation

E. Install the Free Air Vented Drain Lines

⚠ DANGER

DEATH, INJURY, AND EQUIPMENT DAMAGE could result from improper installation of the drain outlet lines.

Install free air vented drain lines as described in this manual.

NOTICE: Furnishing and installing drain lines and drainpipe is the responsibility of the Installer/Owner.

The following restrictions and requirements are critical to the safety of personnel and equipment and must not be violated under any circumstances.

1. The drain lines must be installed in compliance with the Food Code (latest edition) of the Food and Drug Administration (FDA), and any other applicable national, state, or local codes and regulations.
2. The drain line must be free air vented, have gravity flow from the appliance, and terminate outside the perimeter of the appliance.
3. Free air venting requires a minimum 1" clearance between the end of the drain line and the top of the floor drain. See Figure 3-2.
4. Do NOT install the appliance directly over a drain. Steam rising up out of the drain will adversely affect operation, hamper cooling air circulation, and damage electrical and electronic components.
5. Do NOT connect the appliance's drain connection to any drain material that cannot sustain 180°F.
6. Do NOT connect any other drain from any other equipment to the drain line of this appliance.

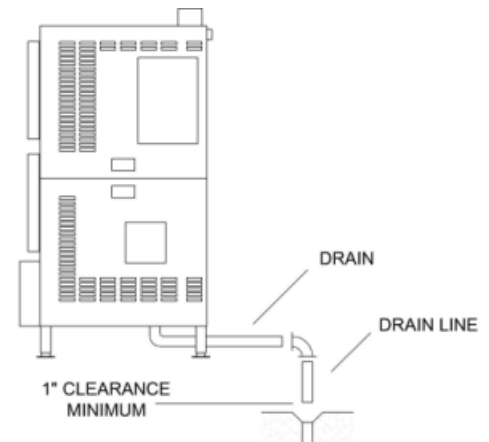


Figure 3-2
Typical Drain Layout

7. Do NOT connect the drain outlet extension line directly into a floor drain or a sewer line.
8. Do NOT connect this appliance's drain directly to drains or to the plumbing of any other equipment.
9. Do NOT install a trap or shutoff in the drain line.

10. Drainpipe Size and Length Guidelines

- Do NOT make a drainpipe outlet extension more than 12 feet long.
- Do NOT use more than three elbows.
- Up to 6' pipe: 1 1/2-inch pipe and fittings are acceptable.
- Up to 2 elbows: 1 1/2-inch pipe and fittings are acceptable.
- 6' to 12' pipe: 2-inch pipe and fittings are acceptable.
- 3 elbows on any extension: 2-inch pipe and fittings are required.

11. Refer to Figure 2-2 and 3-2: Connect the drain to the appliance.

- a) While assembling the pipes and fittings of the drain outlet extension, use non-hardening pipe thread sealant.
- b) Thread fittings together FINGER TIGHT ONLY! DO NOT USE A WRENCH!

F. Install Gas Supply Lines

1. Gas Supply Requirements

- a. Make sure the gas supply type matches the type of gas shown on the rating plate.
- b. Make sure that the gas supply pressure does not exceed 14" water column, and falls within the acceptable gas pressure range shown below when using 3/4" NPT line and a 1/2" NPT connection:
 - Natural gas pressure at 1000 BTU/Cf must be between 5 1/2" – 14" water column.
 - Propane gas pressure must be between 11" – 14" water column.
- c. If the gas or propane supply pressure exceeds 14" water column, a pressure regulating valve (pressure regulator) must be installed in the gas supply line to reduce pressure to this appliance. See Figure 3-3.

2. Install Gas Supply Lines

The installer/owner is responsible for furnishing and installing the gas supply lines, valves, regulators, and accessories. When installing the gas supply lines and accessories, observe the following:

- a. Refer to Figure 3-3 for the recommended layout of the gas supply lines.
- b. Use non-hardening pipe thread sealant resistant to LP gas.
- c. The 3/4" NPT gas inlet is on the bottom of the 24CGP10. See Figure 3-3.
- d. Install main manual valve between the gas supply and the appliance. See Figure 3-2. This main manual shut off valve is called the "Main Manual Gas Valve."
- e. Install a sediment trap (drip leg) in gas supply line. See Figure 3-3.

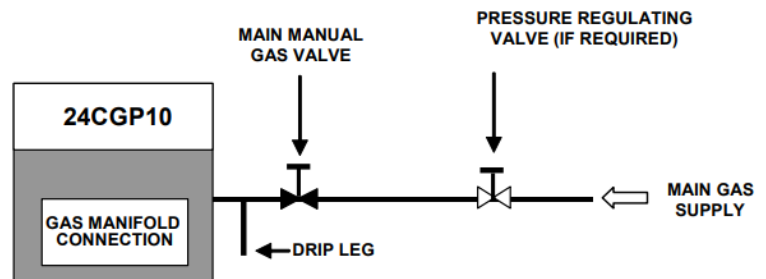


Figure 3-3
Gas Supply Line Layout

3. Testing Gas Supply Lines

a) Leak Testing the Appliance

- Check all connections for proper tightness.
- Remove the control side panel to inspect internal gas connections. Do not replace the panel until installation is complete.

- Open the gas supply valves.
- Check all lines and connections for leaks, both inside and outside this appliance, with soap and water solution.
- All leaks must be corrected before attempting to operate this appliance.

b) Pressure Testing the Gas Supply Lines

If pressure testing is required, this appliance must be disconnected or isolated from the gas supply piping system during pressure testing as follows.

- The appliance and its individual shut-off valve (Main Manual Gas Valve) must be **disconnected** from the gas supply piping system during any pressure testing of the system at test pressures in excess of 14" water column (½ psi or 3.45 kPa).
- The appliance must be **isolated** from the gas supply piping system by closing its individual shut-off valve (Main Manual Gas Valve) during any pressure testing of the gas supply piping system at test pressures equal to or less than 14" water column (½ psi or 3.45 kPa).

G. Install Electric Power Lines

The electrical supply must match the power requirements specified on the steamers rating plate and be made in accordance with the following requirements.

1. The steamer must be grounded and have the electrical power lines installed in accordance with local codes and/or the National Electric Code, ANSI/NFPA No. 70-LATEST EDITION (USA) or the Canadian Electrical Code, CSA C22.2, as applicable. The wiring diagram is located on the back of the lower front panel.
2. Power connection
 - This unit is not suitable for connection to a GFCI (Ground fault Circuit Interrupter).
 - Cleveland Range recommends that the unit be connected to the electrical system, using a flexible conduit system compliant with the applicable codes.
3. A main disconnect switch and a separate fuse or breaker should be installed near the unit as shown in Figure 3-4. Throughout the remainder of this manual the fused disconnect switch is referred to as the main external power switch.
4. Refer to the connection diagram in Figure 3-5 and connect the wires to the terminal block and ground connector accordingly.

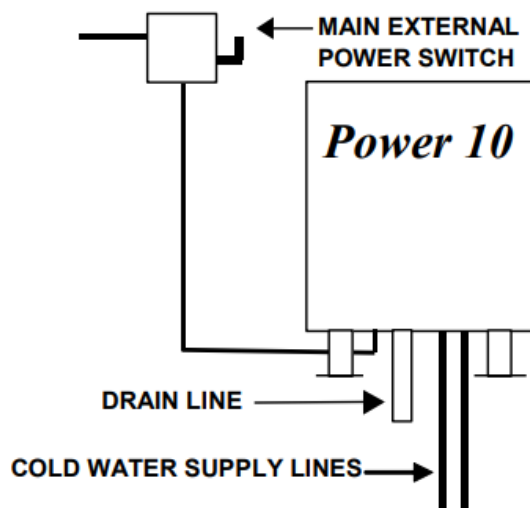


Figure 3-4
Electrical Layout

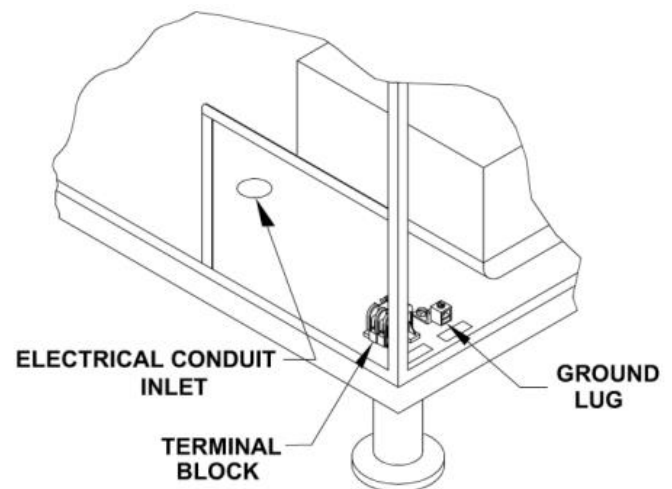


Figure 3-5
Hardware Connection

H. Water Supply Requirements and Installation

1. Water Supply Requirements

CAUTION

Using water not within the limits specified in this manual could void or reduce Cleveland Range's warranty coverage of the steamer.

a) Water Quality

As with any steam generating equipment, poor water quality degrades the performance of the steamer. Check the quality of supply water as described below before starting construction of the water supply lines. If a water treatment system must be installed to achieve acceptable water quality, install it before connecting the water supply lines to the steamer.

If softened or chlorinated water is used in this steam generator, a carbon type filter must be used for the water before it enters the steamer to remove Chlorine or other salts. If the water supply is treated or softened either by the Water Company or on the premises, it may contain chlorine or various salts. These additives are damaging to the steam generator. Salts and chlorine used to soften or treat water cause rapid scale buildup, and/or increased corrosion if allowed to flow into the steamer.

Contact a local water treatment specialist for an on-the-premises water analysis. The recommended minimum feed water quality requirements for the steamer are listed in Table 3-1.

Table 3-1. Minimum Water Quality Requirements

Scale Forming Factors

Total Dissolved Solids	less than 60 parts per million
Silica	less than 13 parts per million
Alkalinity	less than 20 parts per million

Corrosion-Causing Factors:

Free Chlorine	less than 0.5 parts per million
Chloride	less than 30 parts per million
PH factor	greater than 7.5

b) Water Supply System

Provide a water supply system that fulfills the requirements of the limits listed in Table 3-1. The supply must provide a minimum dynamic pressure of 35 psi (2.4 kg/cm²) and a maximum static pressure of 60 psi (4.1 kg/cm²).

- If analysis shows that the supply water is NOT within the required limits, either a water treatment system and/or carbon filter must be installed in the line feeding the steam generator or the frequency of maintenance, cleaning, and descaling must be increased beyond that recommended in the maintenance schedule (Chapter 8).

2. Install Water Supply Lines

The installer/owner is responsible for the correct water connection of the unit. When connecting the water supply lines observe the following instructions and all national and local codes and regulations:

- a) **Never connect the unit to HOT WATER.** The condenser system of the steamer will not work properly if it is connected to HOT or WARM water.

- b) The water supply should have a minimum flow pressure of 35-psi (2.4 kg/cm²) and a maximum static pressure of 60-psi (4.1 kg/cm²). If the static pressure is above 60 psi, a pressure regulator must be used set at approximately 50 psi. Pressure above 60 psi can damage the solenoid valves.
- c) If the supply water meets the requirements shown in the Warranty, then the Single Water Supply Arrangement shown in Figure 3-6 may be used.
 - If using the Single Water Supply Arrangement: The supply piping to the tee fitting must be at least the next larger size of pipe than the connection provided on the appliance.
- d) If the water supply fails to meet the requirements shown in the Warranty, then use the Separate Feed Water Supply Arrangement shown in Figure 3-7.

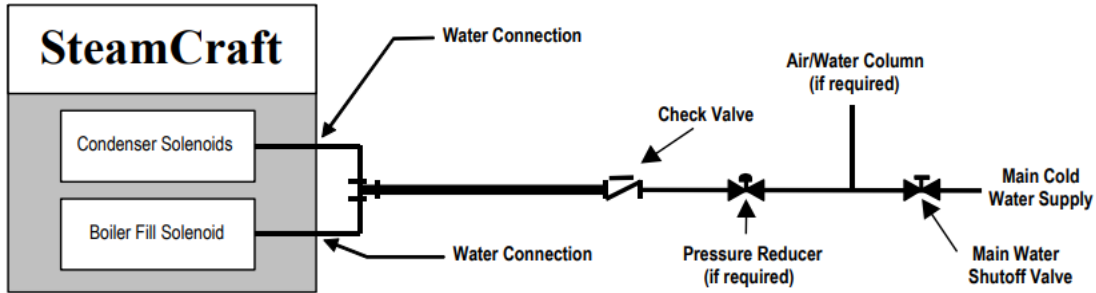


Figure 3-6 Cleveland Range Single Water Supply Arrangement

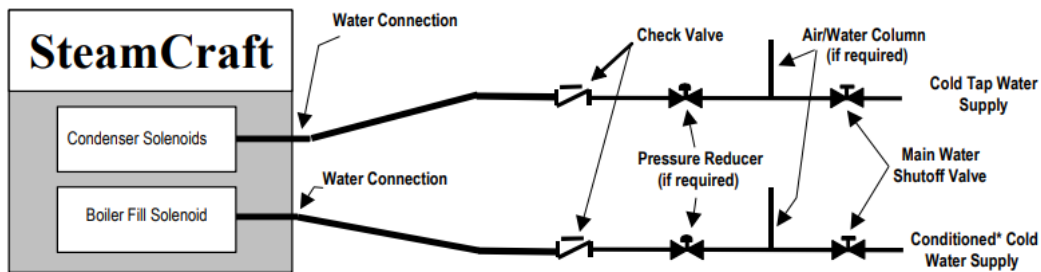


Figure 3-7 Cleveland Range Single Water Supply Arrangement when Using Separate Conditioned Feed Water Supply

- e) Installation Requirements:
 - Apply non-hardening pipe thread sealant to threaded connections.
 - The 24CGP10 has two 3/8" NPT female fittings in its underside: one for the Boiler and one for the condenser. See Figure 2-2.
 - Install a manual water shut-off valve (Main Water Shutoff Valve) (not provided) between the cold water supply line(s) and the appliance.
 - The National Sanitation Foundation (NSF) requires installation of a check valve (or other approved anti-backflow / anti-siphon device) (not provided) in all supply lines in accordance with and as required by local, state, and national health, sanitation, and plumbing codes.
 - Two 40 mesh water strainers (dirt filters), Cleveland Range Part Number [19870](#), are factory installed.
 - Flush the water supply lines before connecting the lines to the appliance.

3. Testing Water Supply Lines

- a) Check all connections for proper tightness. Remove the side panel to inspect water connections inside the steamer.
- b) Open the water supply valves.
- c) Check all lines and connections for leakage, both inside and outside the steamer.
- d) If Startup and Checkout will be performed next, leave the right side panel off; otherwise, replace the side panel and secure it to the unit.

I. Installation Checklist

Installation Checklist

TASK	REFERENCE Chapter Number	COMPLETED (initial and Date)
Preparation		
Check Operating Location Clearances	Chapter 2 Section D	
Test Supply Water Quality	Chapter 3 Section H	
Water Supply Requirements Met	Chapter 3 Section H	
Electric Power Requirements Met	Chapter 3 Section G	
Installation		
Check Level Front-to-Back and Side-to-Side	Chapter 3 Section C	
Check Drain Line Connection	Chapter 3 Section E	
Check Electrical Supply Connection	Chapter 3 Section G	
Check Water Supply Connection	Chapter 3 Section H	
Leak Test Water Supply Lines	Chapter 3 Section H	

Notes:

CHAPTER 4 COOKING WITH THE 24CGP10

DANGER

Do NOT breathe steam, hot air or condensate. DEATH or INJURY will result.

WARNING

Hot air, steam, and condensate will cause burns and scalds.

To help prevent burns and scalds when opening steamer doors: always stand to the hinge side and back from the doors, slowly open the door, and wait for the steam and heat to dissipate before reaching into the steamer.

The 24CGP10 Steamer is a continuously operating appliance, so parts are ALWAYS HOT when the Main External Power Switch or the ON/OFF Switch is in the ON position.

When the ON/OFF Switch is turned to the OFF position, the steamer will remain HOT for some time. Contact with hot surfaces and steam can cause burns and scalds. Avoid contact with hot surfaces and steam.

If the steamer door is stuck shut: DO NOT force the door open.

The door stuck shut may indicate a blocked drain. Hot water can fill the cooking compartment and spill out if the door is forced open causing injury and equipment damage.

If the steamer door is stuck shut:

- Turn OFF the steamer.
- Call a qualified Cleveland Range authorized service technician.
- Wait for the steamer to cool before servicing.

CAUTION

Some food drip juices. Use a solid catch pan under perforated pans when cooking food that drips juices. Dripping juices can cause burns and clog the drain.

Do NOT use oven racks that are bent or damaged in any way.

DO insert pans and accessories LEVEL and INSIDE the oven racks.

Pans and accessories placed in damaged or out of level racks, or outside racks can tip and spill, causing burns, injuries and/or equipment damage.

A. Cooking Procedure

1. Before Cooking
 - a. Inspect and clean the drain and cooking compartment as required.
 - b. If necessary, preheat the cooking compartment.
 - c. Slide the pans of food into the slide racks inside the steamer. Do not place pans or anything else on the bottom of the compartment.
 - For the best cooking results, use shallow, 2-1/2-inch-deep, perforated pans without covers. These give the best heat transfer and shortest cooking time.
 - d. Close the steamer door.
2. Refer to **Easy Timer Operating Instructions** in Chapter 5 to start cooking.
 - While cooking, occasionally check the water in the reservoir for food particles and oils. If the water is dirty or cloudy, change the water. See Chapter 8.

- The steamer compartment of the steamer is equipped with an **automatic door interlock switch** that turns off the heating elements and condenser when the door to the compartment is opened.

WARNING

BURN and SCALD HAZARD

Even though the heat shuts off as soon as the door is opened, it may take up to a minute for production of steam to end and residual steam in the system to clear from the cooking compartment.

To help avoid injury, always wait until the residual steam clears before reaching into the cooking compartment, and always wear dry heatproof gloves when reaching into the cooking compartment. Wet or damp gloves conduct heat and can cause burns when touching hot items.

3. After Cooking

- Carefully open the cooking compartment door and remove the pans from slide racks.
- If the steamer will be used again in a few minutes, shut the door to maintain the cooking compartment temperature.
- If another use is not planned for more than half an hour, leave the cooking compartment door slightly open to reduce internal pressure while the steam condenses and the compartment cools.
- If the steamer is not being used again during this shift, perform the Power OFF and Shut Down and Cleaning Procedures, found in Chapter 6.

CHAPTER 5 EASY TIMER OPERATING INSTRUCTIONS



DIGITAL DISPLAY

CONTROL KNOB

Enabled with **TIMED** mode

TIMER START/STOP BUTTON in **TIMED** mode

TIMED/MANUAL SWITCH BUTTON
(Press for 5 sec)



ON-OFF SWITCH

⚠ CAUTION

Press switch and button with fingertips only.

INJURY and **EQUIPMENT DAMAGE** can result from pressing switches and buttons with anything else.

A. Main External Power Switch

Usually, the steamers main external power switch is left ON. If the main external power switch was left in the OFF position, turn it ON as follows.

1. Check that the water supply valves are open.
2. Turn the ON/OFF switch to the OFF position.
3. The control panel settings are not important in this procedure. The control panel circuits are not powered while the ON/OFF switch is set to OFF.
4. Refer to the main external power switch in Figure 5-1 and turn on electric power to the steamer. The steam generators will immediately start blowdown cycles. The blowdown cycle lasts 3 minutes (Find Chapter 6 “Shutdown and Cleaning procedure” for blowdown cycle).

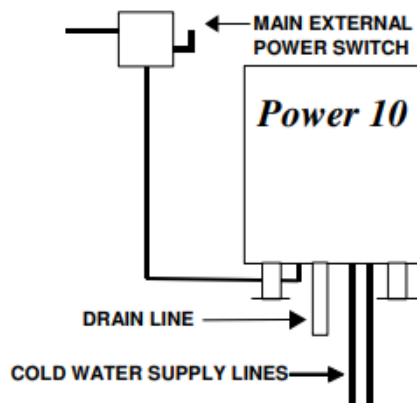


Figure 5-1
Main External Power Switch

B. Inspecting the Cooking Compartment

At the back of the cooking compartment, a drain screen covers the drain (Refer to Figure 5-2). The screen prevents large food particles from entering and blocking the drain line. Any blockage of the drain line or screen can reduce drainage from the cooking compartment resulting in reduced cooking performance, equipment damage, and a hazard to the operator. A blocked or slow drain may cause:

- Hot water to collect in the compartment and spill out when the compartment door opens.
- Pressure fluctuations in the compartment, resulting in steam leaks around the door gasket, or compartment implosion.
- Reduced convection in the compartment, reducing cooking performance.

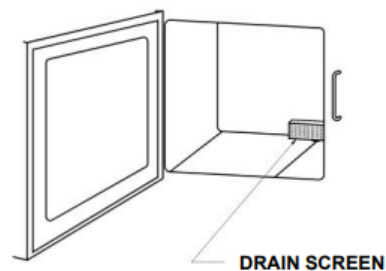


Figure 5-2
Compartment Drain Screen

⚠ CAUTION

Steam leaks around the door, cooking compartment flooding, reduced cooking performance, and compartment implosion can be caused by a blocked drain or drain screen. Inspect and clean the drain and drain screen before each use.

Before every steaming operation, inspect the cooking compartment and remove any food scraps or debris from the racks, walls, and floor of the compartment. Pay attention to the drain and drain screen.

1. **DO NOT USE** the steamer if water stands in the drain opening. Arrangements must be made immediately to clean the drain in accordance with the instructions found in the **Preventative Maintenance and Troubleshooting** section of this manual.
2. Remove any food or debris that is blocking the drain or screen.
3. Be sure the screen covers the drain. The screen prevents large pieces of food from entering and blocking the drain.

C. Power On (Automatic Fill)

When each steamer compartment is turned ON, it automatically fills its steam generator with water. Use this procedure at the beginning of a shift to prepare the steamer for operation without starting steam generation.

1. Turn the ON/OFF switch to the ON position to energize the steamer control panel. The digital display on the control panel lights, the combustion blower turns ON to purge the generator and water fills the steam generator.
2. When the generator is full, the steamer automatically stops water flow.
3. Once the water has reached the minimum operating level, the blower turns OFF and the pilot/standby burner lights to heat the water to the standby temperature.
4. **Timed Mode (with “SURE COOK” mode feature)**
 - a) Select cooking time using “Control Knob”.
 - b) Press “TIMER-START/STOP” button to start cooking.
 - c) “SURE COOK” illuminates on digital display once the compartment reaches 193°F (90°C).
 - d) Timer then starts to countdown until it reaches 00:00.
 - e) Steamer will stop heating and require prompt when the timer reaches 0:00.
5. **Changing from Timed to Manual Mode**
 - a) Press and hold “TIMER-START STOP” button for 5 seconds until switch to Manual mode.
 - b) “MAN” will appear on the digital display when activated and control knob disabled.
6. **Changing from Manual to Timed Mode**
 - a) Press and hold “TIMER-START/STOP” button for 5 seconds until switching to TIMED mode.
 - b) “TIMED” will appear on the digital display.
 - c) Digital display will display 00:00, Control knob activated.
 - d) Set the time using the knob.
 - e) Press “TIMER – START/STOP” button to start the timer.
7. “Descal” Notification
 - a) Easy Timer comes with 400 hours operation for “Descaling Notification.”
 - b) After 400 hours, “DESCALE” appears on digital display for 5 seconds and will re-appear every 5 minutes for 5 seconds until reset by pressing the button for 15 seconds.
8. Reset and Clear Descal Notification
 - a) Turn OFF main power with POWER SWITCH.
 - b) Press and hold the “TIMER-START/STOP” button.
 - c) Power unit ON with main POWER SWITCH (with “TIMER START/STOP” Button held).
 - d) Wait 10 seconds to Reset/ Clearing Mode.
 - e) The Beeper starts beeping once every second.
 - f) Release the “TIMER-START/STOP” button.
 - g) Display will show “RST”.
 - h) Press the “TIMER-START/STOP” button to confirm resetting descale notification.
9. Program Number of Hours until Descal Notification
 - a) Turn OFF main power with POWER SWITCH.
 - b) Press and hold the “TIMER-START/STOP” Button.
 - c) Power unit ON with main POWER SWITCH (with “TIMER START/STOP” Button held).
 - d) Wait 20 seconds to enter Programming Mode (to change the Max number of hours)
 - e) The Beeper starts beeping twice every second.

- f) Release the “TIMER-START/STOP” button.
- g) Display will show past settings.
- h) Turn knob to adjust the number of hours.
- i) Press “TIMER-START/STOP” button to save number of hours for next descale notification.

D. Lighting and Shutdown Instructions

DO NOT TRY TO LIGHT THE BURNERS OR PILOT WITH A FLAME. THE PILOT AND BURNERS ARE SELF IGNITING.

The steamer has an electronic ignition system, which automatically lights the pilot and burners, senses the flame and controls gas flow. This provides precise burner control, safety ignition, and shutdown.

⚠ WARNING

DEATH, INJURY or EQUIPMENT DAMAGE may result from an improperly adjusted gas control and ignition system.

Do not alter any adjustments on this electronic control or gas valve. If adjustment is required, contact an authorized service center.

Cleveland Range is in no way responsible for the operation or safety of this equipment if the controller, valve, or igniter probe are adjusted by anyone other than a Cleveland Range authorized service representative.

The following START-UP SUMMARY is for quick reference ONLY. For safe operation and use of this equipment, the operators should comply with all safety and operating instructions in this manual.

1. Lighting Instructions

- a) Turn the ON/OFF switch to the ON position.
 - Blower will start, and boiler will fill with water (about 5 minutes).
 - Pilot will attempt to light for 90 seconds.
 - If no ignition occurs the system will automatically reset in 6-7 minutes.
- b) System may be reset manually by turning the ON/OFF switch to the OFF position for 5 minutes and then back to ON.
- c) Turn ON a cooking compartment.
- d) Blower will start, and main burner will light.
- e) Each compartment has its own control system and must be started independently.

2. Shutdown Instructions

Turn the ON/OFF switch to the OFF position. The burners and pilots will immediately be extinguished, and the unit will begin the automatic 3-minute blowdown cycle and drain.

NOTE: Each compartment has its own control system and must be shut off independently.

E. Preheating the Steamer

Preheating the steamers can help ensure that the best productivity and consistent cooking is obtained. To preheat each steamer, run a cooking cycle of approximately 15 minutes with no food in the cooking compartments.

NOTE: If using a steamer with a timer, set only a 1-minute cooking time for preheating, since the timer will only begin to countdown once the steamer has reached a cooking temperature.

- **BEFORE PREHEATING**, inspect and clean the compartment. After preheating, the compartment will be too hot to inspect and clean safely.

CHAPTER 6 SHUTDOWN AND CLEANING PROCEDURES

A. Boiler Blowdown

1. Power OFF

- When the appliance is turned OFF at the ON/OFF switch, blowdown starts automatically. The Boiler is drained, and the drain valve is rinsed with fresh water to help prevent scale.

2. Blowdown Frequency

- a) Based on the water quality analysis done before installation, and the amount of use, make, and post a blowdown schedule.
 - Contact your qualified Cleveland Range authorized service agency or Cleveland Range for more information about maintenance scheduling, products, and services.
- b) Blowdown Schedule Guidelines:
 - i. When using water that does not meet the minimum water quality standards (see the Warranty), blowdown must be performed after every 4 hours of operation, or more frequently as required, and at the end of each shift.
 - ii. For appliances using water that meet the minimum water quality standards, blowdown must be performed at the end of each shift.

B. Shut Down and Cleaning

This procedure should be performed at the end of each day or shift.

WARNING

Do not use a hose or water jet to clean this appliance.

1. Refer to Power OFF and turn off the steamer compartment. Allow 3 minutes for the complete blowdown cycle.
2. Open the steamer door and allow steamer to cool.

WARNING

Inside of steamer stays hot for a long time. Be careful when cleaning inside steamer compartment.

3. Remove the slide racks. Wash and rinse racks separately or clean them in a dishwasher according to health requirements. Do not remove the drain screen.
4. Remove any spilled food from inside compartment and clear any residue from the drain screen. Clean the interior of the compartment thoroughly. Use a soft bristle brush to remove stubborn food particles. Do not use abrasive cleaning compounds or steel wool. Rinse inside of steamer compartment with clean water.

WARNING

Let rinse water drain through compartment drain opening. If water does not drain freely, drain lines must be cleaned before cooking again. Clogged or slow drains are dangerous because hot water can collect in compartment and spill out when opening compartment door.

5. Clean the door assembly.
 - Remove the door gasket assembly (see Figure 6-1).
 - Note the keyhole slots on the door and the retaining pins on the gasket assembly. Grasp the gasket assembly at the sides and lift up and towards you to remove the assembly.
 - Clean all surfaces of the gasket assembly, as well as the inside of the door, by wiping with a damp cloth.
 - Rotate the gasket assembly 180° and replace it by sliding the retaining pins into the keyhole slots. Either long edge of the gasket assembly can be positioned at the top. Periodic rotating of the door assembly will

increase the door gasket life.

6. Replace the cleaned slide racks.
7. Wipe the exterior with a damp cloth only. NEVER HOSE DOWN THE STEAMER. Electrical components inside the unit will not function correctly if wet or damp.
8. After cleaning, leave the steamer door open until the next steamer operation. This prevents compartment odor buildup and increases gasket life.

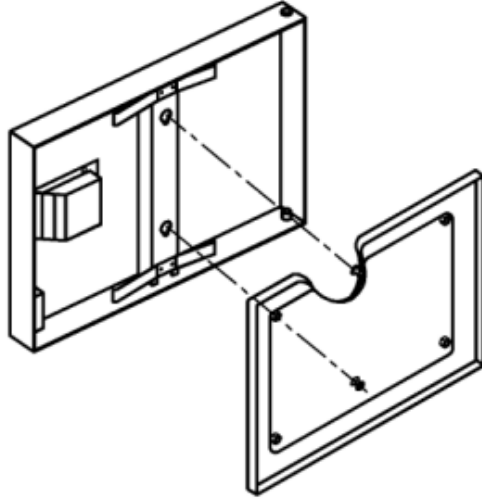


Figure 6-1
Door Gasket Assembly

CHAPTER 7 OPERATING TESTS AND FINAL CHECKOUT PROCEDURES

A. Burner Ignition Test (Lighting and Shutdown Instructions)

It is recommended that this test be performed before beginning the Startup Test Procedure. This will ensure that the basic heating system is operating normally before reviewing the overall operation of the steamer, since much of the operation is dependent on the operation of the burner control system.

1. Lighting Instructions

This is a functional test of the intermittent pilot ignition system. Pilot/burner ignition is completely automatic.

NOTE: Each compartment has its own steam generator and control system and must be started independently.

a) If not already done during prior installation or testing:

- Test the water supply lines.
- Leak test the gas supply lines.
- Turn the Main Manual gas valve to the open position.

b) The controls should be set as follows:

- The main power switch should be in the OFF position.
- The steamer's ON/OFF switches should be set to the OFF position.

c) Turn ON the electrical power to the steamer at the main power switch.

NOTE: When initial power is supplied to the steamer with the ON/OFF switch in the OFF position, a 3-minute blowdown cycle starts. This blowdown cycle stops when the 3 minutes have elapsed, or the ON/OFF switch is changed to the ON position.

d) Turn ON the electrical power to the steamer at the ON/OFF switches.

- i. The digital display on the control panels light and water begins filling the boiler. The pilot/burners do not light until water reaches the safety level in the probe assembly.
- ii. After 2 to 3 minutes, water reaches the middle probe (safety level).
- iii. Turn on a cooking compartment and the burners will light with a distinctive sound.

NOTE: Cooking compartment doors must be closed first.

- If the burners light within 5 minutes of turning the unit ON, the ignition controls are functioning normally. End this test procedure here.
- If the burners do not light within 7 minutes, there may be air in the gas supply lines proceed to step e.

e) Turn off electrical power to the steamer, at both the ON/OFF switches and the main power switch.

NOTE: When the burners fail to ignite, a safety circuit in the igniter control de-energizes the system and closes the automatic gas valve. The safety circuit resets when the steamer's power is turned OFF and then back ON.

f) Wait 5 minutes and then repeat steps b through e. If this is a brand-new installation, or an excessive amount of air in the lines is suspected for any other reason, it may be necessary to bleed the excess air from the lines. This should be done at a union or connection as close as possible to the inlet of the automatic gas valve.

g) If the burner does not light after the third attempt, call a Cleveland Range authorized service representative to adjust the burner controls.

h) Go to Shutdown Instructions.

2. Shutdown Instructions

- a) Turn off electrical power to the steamer, at both the ON/OFF switches and the main power switch.
- b) Turn off gas supply at the main manual gas valve.

B. Startup Procedure with the Appliance De-Energized

1. Start with or the Main External Power Switch OFF.
2. Check the fuses or circuit breakers for proper size.
3. Make sure the water supply line valves are open.
4. Make sure the Main Manual Gas Valve is open.
5. Open the cooking compartment doors.
 - Check for proper installation of drain screens, slide racks, and door gasket assemblies.
 - Check that the drains are not blocked.
6. Shut the cooking compartment doors.
7. Control panel settings:
 - TIMED/MANUAL to TIMED mode.
8. Go to C. "Boiler Drain and Rinse Cycle Inspection."

WARNING

BURN and SCALD HAZARD

If the drain is blocked, hot water can collect inside the cooking compartment and spill out when the door is opened.

Water leaking from the door gasket can be a sign of a blocked drain.

When checking inside the steamer: always open the door slowly and stand to the hinge side and away from the steamer.

BURNS and SCALDS can result from hot water spilling out.

DANGER

ELECTRIC SHOCK HAZARD

DEATH, INJURY, or EQUIPMENT DAMAGE can result from touching any component inside this appliance when the power is connected.

Whenever possible disconnect the power while installing, servicing, or testing this appliance.

When installation, service, or tests require power to be connected to this appliance: use extreme caution and every possible precaution and safety measure while testing or servicing this appliance.

C. Boiler Drain and Rinse Cycle Inspection (3-minute Blowdown Cycle)

1. Turn OFF the Main External Power Switch.
2. Turn OFF the ON/OFF switch.
3. Turn the Main External Power Switch ON to start the 3-Minute Blowdown Cycle.
 - a) Watch for plumbing leaks:
 - b) If there are leaks:
 - Turn OFF the Main External Power Switch.
 - Repair leaks.

- Start this test over.
4. The automatic blowdown cycle opens the fill and rinse valves.
 5. The drain valve remains open.
 6. The drain valve and water column float assembly are flushed with fresh water.
 7. Stop the blowdown cycle before it is complete by turning the ON/OFF switch ON.
 - a) The operating controls energize.
 - b) The digital display in the ON/OFF switch lights.
 - c) Blowdown stops.
 - d) The Boiler fills.
 - The Low Water light turns ON while the Boiler is filling.
 - The Low Water light turns OFF when the Boiler is full.
 8. Start a 3-minute blowdown cycle by turning the ON/OFF switch OFF.
 9. A steady flow of water enters the top of the float column through the spray nozzle.
 10. A steady stream of water flows from drainpipe into the floor drain.
 11. After the 3-minute blowdown cycle ends, no water flows into the float column or out of the drainpipe.
 12. Go to D. "Operating Test Procedures."

D. Operating Test Procedures

1. Turn OFF the Main External Power Switch.
2. Turn OFF the ON/OFF switch.
3. Turn ON the Main External Power Switch.
 - a) Turn the ON/OFF switch ON. (Switch above Steam Pressure Gauge.)
 - The digital display lights.
 - b) Start a manual steaming cycle.
 - 1) Set to MANUAL mode.
 - 2) The condenser solenoid clicks open, condenser flow starts, and water flows from the drain pipe.
 - 3) If no water flows from the drain, make sure the condenser water supply valve is open and the water lines are connected properly.
 - c) Steam enters the cooking compartment.
 - Water may drip from the nozzles until steam clears the lines.
 - d) The cooking compartments steam until turned OFF or set to TIMED mode with the timer zeroed.
 - e) Check for steam leaks around the door gasket.
 - f) Leave the ON/OFF switch in the ON position.
 - g) Set the controls to stop steaming:
 - EASY TIMER MODELS: Set the Timer to 00:00.
 - 1) Turn the appliance OFF using the ON/OFF switch:
 - The digital display turns OFF.
 - Automatic blowdown starts and runs for 3 minutes.
 - 2) After blowdown ends:

- Turn OFF the Main External Power Switch.
- Replace all panels and sheeting.
- Turn ON the Main External Power Switch.

E. Optional Compartment Door Steam Shut Off Switch (SCS)

Steam Shut Off Switches (automatic steam cutoffs) turn OFF the release of steam to a cooking compartment when the door to that compartment is opened.

DANGER

BURN and SCALD HAZARD WARNING for steamers with Optional Compartment Door Steam Shut Off Switch (SCS)

COMPARTMENT DOOR STEAM SHUT OFF SWITCHES ARE NOT INSTANT OFF!

- Even though the release of steam from the boiler ends as soon as a door is opened, residual steam in the system may take up to a minute to clear from the steam lines and the cooking compartment.
- To help prevent injury, follow all the standard precautions for opening the cooking compartment door and reaching into the cooking compartment.

Failure to do so can result in DEATH, BURNS, and SCALDS.

- If a cooking compartment is opened and the other is left closed, the closed cooking compartment continues to steam as normal.

WARNING

BURN and SCALD HAZARD

Residual steam in the system may take up to a minute to clear from the steam lines and the cooking compartment.

Always wait until this residual steam has cleared before reaching into the cooking compartment.

Reaching into a cooking compartment while steam is being released or clearing the steam lines can cause BURNS and SCALDS.

F. Function Test for the Optional Steam Shut Off Switch

- Perform this test after the appliance passes Initial Setup, and Operating Test, and the appliance is ready for use.
1. Start the appliance with both cooking compartments in MANUAL mode.
 2. Wait for the cooking compartments to reach cooking temperature, indicated by the “SURECOOK” message going out.
 3. Stand to the hinge side and back from the upper door and carefully open the upper door.
 4. Steaming stops within a minute.
 5. If steaming does not stop within a minute: Shut down the appliance and call your qualified Cleveland Range authorized service representative.
 6. Leave the upper door open and let the cooking compartment cool for three minutes.
 7. Close the upper compartment door. Steaming starts and the cooking compartment reaches cooking temperature, and the “SURECOOK” message goes out.
 8. If steaming does not start: Shut down appliance and call your qualified Cleveland Range authorized service representative.
 9. Repeat this test with the lower cooking compartment door.
 10. Repeat this test with both cooking compartment doors at the same time.

CHAPTER 8 PREVENTATIVE MAINTENANCE

A. General Information

- Follow the maintenance instructions and schedules to help keep the appliance working properly.
- Increase the frequency of maintenance as needed depending on use and water quality.
- Contact your qualified Cleveland Range authorized service agency or Cleveland Range for more information about maintenance scheduling, products, and services.

B. Maintenance and Service Records

1. Make a file just for maintenance records.
2. Keep a written record of daily, weekly, monthly, and yearly maintenance, service, and repair. Each record must include at least:
 - The date of the service, maintenance, or repair.
 - A description of the service, maintenance, or repair performed.
 - Copies of purchase order(s) and invoice(s) for repair parts and service, maintenance, or repair. Include part numbers, if applicable.
 - The name and signature of the person performing the service, maintenance, or repair.

C. Daily Maintenance

1. Blowdown
 - Blowdown the steam generator. Follow the instructions in Chapter 6.
2. Clean the Appliance
 - Clean the interior and exterior of the appliance. Follow the instructions in Chapter 6.

D. Weekly Maintenance

1. Clean the Cooking Compartment Drains
 - Blockage of the drain line can cause pressure buildup in the compartment(s) resulting in steam leaks around the door gasket(s), reduced performance, and compartment implosion.
2. To inspect the drain screens and the drain lines for blockage:
 - a. Clean the cooking compartment and drain screens. Follow the instructions in Chapter 6.
 - b. Rotate the drain screen 90 degrees to inspect the drain opening.
 - c. Clean the opening and put the screen back into their operating position.
 - d. Pour a quart of water into the cooking compartment. If the water drains slowly or stands, clean the cooking compartment drains with a NSF/FDA approved drain cleaner.
 - Follow the instructions of the drain cleaner manufacturer.
 - Flush the cooking compartments and drains with clean water.

E. Monthly Maintenance

1. Descale the Steam Generator

- Steam Generators should be descaled once a month, or more often depending on scale buildup.
- Note the date of decaling in your maintenance and service records to help keep Steam Generator descaling on schedule.

2. SteamCraft Descaling Procedure Using the Descaling Pump System

- Cleveland Range recommends that your service agency descales your 24CGP10.

- If you have trained and skilled in-house maintenance personnel, you may wish to discuss purchasing Descaling Pump System P/N: [1071421](#) for use with Dissolve® Descaler Solution P/N [106174](#) with your sales representative or service agency.
- Use no other system of descaling.

3. Manual Method to Descal Steam Generator

NOTE: Part No. [106174](#) is the Part No. for a case (6 1-gallon containers) of DISSOLVE® descaler.

THESE INSTRUCTIONS ARE FOR USE WITH DISSOLVE® DESCALER SOLUTION Cleveland Range Part No. [106174](#).

a) Health Hazard Data, Effects of Overexposure

- This product may cause a burning sensation to eyes or skin.

b) Emergency and First Aid Procedures

- In case of eye contact, immediately flush eyes with water for 15 minutes. If irritation persists seek medical attention.
- In case of skin contact wash with soap and water.
- If inhaled, remove to fresh air. If burning persists, call a physician.
- If ingested, take 1 or 2 glasses of water and call a physician.

c) Spill or Leak Procedures

- Rinse with plenty of water to dilute.
- Sodium carbonate or calcium carbonate may be used to soak up liquid.
- Considered non-hazardous, spent material may be disposed of in a sewer system with water flush.

⚠ CAUTION

Do not use any other product or method of descaling other than the DISSOLVE® Descaler method using Part No. [106174](#).

⚠ WARNING

Descaling procedure is slightly different depending on model. This entire procedure should be read and fully understood as it applies to the model being descaled, before beginning descaling operations.

⚠ DANGER

The liquid solution in Cleveland Range Descaler Solution Part No. [106174](#) or [1061741](#) can be harmful if not handled properly. Follow these basic safety rules for handling and using this product. Instructions and warnings on container labels supersede all other warnings and instructions.

Wear protective clothing when mixing or applying chemical cleaners.

Wear rubber gloves, and OSHA approved eye protection when descaling

Avoid breathing fumes.

In case of eye contact, immediately flush eyes with water for 15 minutes. If irritation persists, seek medical attention.

In case of skin contact, wash with soap and water.

If inhaled, remove to fresh air. If burning persists, call a physician.

If ingested, take 1 or 2 glasses of water, and call a physician.

NOTICES regarding the Manual Descaling Procedure

- Cleveland Range recommends DISSOLVE® Descaler Solution, Part No. [106174](#).
- Use no other system of steamer descaling.
- Appropriate warnings and safe handling procedures must be provided to handlers and users.
- Instructions and warnings on Dissolve® containers and Material Safety Data Sheets supersede and replace instructions and warnings in this manual.
- General precautions: wear rubber gloves, splash goggles and other protective clothing and equipment as necessary.
- Refer to Dissolve® container labels and Material Safety Data Sheets for information regarding eyewash, first aid, medical treatment, and spill control.

4. Descaling Procedure

NOTE: Descale both steam generators at the same time.

- 1) Turn steamer OFF and open door(s).
 - 3-minute Automatic Blowdown cycle runs.
- 2) Turn steamer ON.
 - Generator begins to refill.
- 3) Set to TIMED mode.
- 4) **DO NOT** start timer, **DO NOT HEAT APPLIANCE**.
 - Water must be cold for descaling.
 - **Open cooking compartment door(s) to PREVENT HEATING.**
 - Leave cooking compartment door(s) open.
- 5) Remove descaling port cap (see Figure 8-1).
- 6) Add 1 gallon of Dissolve® through the descale port while generator refills.
 - Pour slowly to avoid overflow.
 - Refill can take up to 8 minutes.
- 7) Add 1-2 gallons of cold tap water to descaling port after refill stops, continue to fill with cold water until descaling solution enters cooking compartment(s) through steam nozzles.
 - Adding extra water to generator(s) raises descaling solution to higher-than-normal water fill level, allowing descaling solution to clean sensors and surfaces above normal water fill level.
- 8) Let descaling solution soak in generator(s) for 1 hour.
- 9) After 1 hour, turn ON/OFF switch OFF to start 3-minute Automatic Blowdown.
 - This drains and rinses generator(s).
- 10) After Automatic Blowdown ends, turn ON/OFF switch to ON.
- 11) Add cold tap water through descaling port after generator refills, until water enters cooking compartment(s) through steam nozzles.
 - This raises the water level to rinse the surfaces cleaned in Step 8.
- 12) Turn ON/OFF switch OFF to start 3-minute Automatic Blowdown to rinse generator.
- 13) Replace descaling cap and close cooking compartment door(s).
- 14) Set to TIMED mode.
- 15) Turn steamer ON/OFF switch to ON and set TIMER for 20 minutes.



Figure 8-1
Descal Port

16) After the timer counts down, turn ON/OFF switch to OFF to start Automatic Blowdown.

17) Descaling is complete, resume normal startup, cooking, and shutdown procedure.

F. Yearly Maintenance

1. Clean the Water Line Strainer

- See Figure 8-2.
- Clean the water line strainers at least once a year.
- When first installed, check the strainer more frequently to find out how often the strainer must be cleaned.
 - a) Close the valve(s) in the water supply lines.
 - b) Unscrew the filter cap from the bottom of the strainer.
 - c) Remove the filter screen and wash it with clean water.
 - d) Check the O-ring for wear and replace if necessary.
 - e) Put the screen back in the cap.
 - f) Put the cap back in the cap.
 - g) Open water supply valve(s) and check for water leaks.

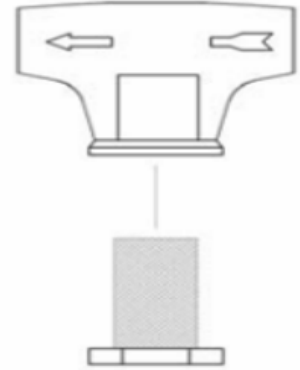


Figure 8-2

Water Line Strainer

**Actual sizes and proportions
may vary**

CHAPTER 9 TROUBLESHOOTING GUIDE

The Troubleshooting guide includes a list of symptoms that may be encountered during routine operation and maintenance.

The first column on the left (PROBLEM) describes these symptoms.

The second column lists the possible causes for the problem in column one.

The third column lists possible remedies for the problems and causes in columns one and two.

The causes and remedies are listed in the order they should be checked, with the least costly and easiest to repair listed first.

The third column also refers to notes that are grouped at the end of the troubleshooting guide. Refer to these notes when instructed to do so. Do not try and correct a problem which requires an authorized service representative as this may adversely affect warranty coverage.

Table 3-1 Trouble Shooting Guide

PROBLEM	POSSIBLE CAUSE	REMEDY/REFERENCE
Digital display does not turn ON when ON/OFF switch is in the ON position.	Power turned OFF at main external power switch or breaker.	Turn ON power at main external power switch or breaker.
	ON/OFF switch not fully turned to the ON position.	Turn switch to the full ON position.
	Inoperative controls or failed light.	See note #1.
Power ON and steam generator does not fill.	Water supply to steamer shut off.	Open water supply valves.
	Water line strainer and/or external filter system is clogged.	Clean water supply strainer and/or filter system.
	Inoperative Solenoids or controls.	See note # 1.
Digital display turns ON and steamer does not make any steam in MANUAL or TIMED modes.	Water supply to steamer shut OFF.	Open water supply valves.
	Door interlock switch not engaged or has failed.	Close door completely. If problem persists see note #1.
	Hi-limit switch has tripped.	Reset Hi-limit (See note # 9). If condition persists, see note #1.
	Water line strainer and/or external filter is clogged.	Clean water supply strainer and/or external filter system.
	Gas supply valve is closed.	Turn OFF unit and open gas supply valve.
	Steamers gas valve is closed.	Turn gas valves to open position.
	Inoperative controls or solenoid.	See note # 1.
Abnormal amount of steam coming from drain.	Hot water instead of cold water connected to condenser fitting.	Make proper connections. See section on Water Supply.
	Water supply to condenser turned OFF.	Open water supply valve.

	Condenser water line strainer and/or nozzle is clogged.	Clean out condenser water supply strainer and/or nozzle.
	Water supply line to the condenser blocked, broken, or leaking.	Repair or replace water supply line. See note # 1.
	Inoperative controls, thermostat or solenoids.	Turn OFF electricity at main external power switch. See note # 1.
Reduced steam flow into cooking compartment.	Steam generator scale buildup.	Descale steam generator with Cleveland Range approved descaler.
	Gas inlet pressure is low.	The unit requires a minimum inlet pressure of 4.5 in. W.C. for NATURAL GAS, or 11 in. W.C. for LIQUID PROPANE, to operate. See note #2.
	Inoperative or improperly adjusted controls.	See note #1.
Power light is ON, but timer does not light.	Timer transformer has failed.	See note #1.
	Inoperative controls.	See note #1.
Steam and/or water draining around compartment door. See Warning under note #7.	It is common for a small amount of water to condense around the door.	This is normal operation of the unit. No action is necessary.
	Compartment drain clogged or covered.	Clean drain with USDA approved drain cleaner. If condition persists, see note #1.
	External drain not properly installed, should be free-air vented and pitched down.	See notes #2 and #3.
	External drain is blocked or restricted.	Clean external drain. See note #3.
	Door gasket or door parts worn.	See note # 1.
	Steamer not level.	See note # 2.
	Condenser solenoid not operative. (high capacity units only)	See note #1.
	Condenser box solenoid not operative. (high efficiency units only)	See note #1.
Steam flow does not stop when TIMER stops.	Operating in manual mode.	Switch to timed mode for timer to be effective.
	Inoperative controls inside cabinet.	Turn OFF power to that compartment at ON/OFF switch. See note # 1.
Compartment bottom dirty with food drippings.	Juices and/or food leaking from pans.	Put a solid pan under perforated pans to catch drippings, or put less food in pan.

Water leaking from bottom of cabinet.	Broken or loose plumbing inside steamer cabinet.	Turn OFF electricity at main external power switch and close water supply valve(s). See note # 1.
Water leaking from water pipes or drain lines.	Plumbing needs repair.	See note # 3.
Abnormal amount of steam coming from drain during blowdown cycle.	ON/OFF switch is not turned fully to the OFF position.	Turn ON/OFF switch to the full OFF position to start the proper blowdown operation.
ON/OFF Indicator on but steamer does not make steam in timed mode.	Timer fuse has blown (Electronic timer models only).	See note #1.
	Inoperative timer control or damaged wiring.	See note #1.
Food takes too long to cook. To verify the steamers proper operation see note #6.	Pans too close to the bottom of cabinet.	Put pans in racks near top of cabinet.
	Not enough steam movement in compartment. Hot water connected to condenser line.	Make proper connections. See section on Water Supply. See note # 3.
	Steam generator scale buildup.	Descale steam generator with Cleveland Range approved descaler.
	Compartment overloaded with too much food.	Put less food into pan. Use fewer pans.
	Condenser water is turned OFF.	Turn ON water to condenser.
	Condenser water line strainer and/or nozzle is clogged.	Clean out condenser water supply strainer and/or nozzle.
	Food is frozen.	Increase cooking times for frozen food.
	Food is being cooked in covered solid pans.	Remove covering. Steam must have direct access to the food for cooking to take place.
	Suggested cooking times are usually listed for cooking at sea level.	Extend cooking times for altitudes above 2500 feet.
Inoperative or improperly adjusted controls.	See note #1.	
Water is flowing out of the steam ports into the cooking compartment.	Water level probes are dirty and are not sensing properly.	Turn OFF the water supply to the steamer and descale the unit manually with Cleveland Range approved descaler by filling the unit with descaler and water through the descaling port. If the condition persists see note #1.
	Inoperative controls or solenoid.	See note #1.
Water comes out of descale port.	Descale cap is missing.	Install the descale cap. Descale port must be closed tightly for the steamer to operate properly. If missing see note #8.

	Descalcap is loose.	Tighten the descalcap. The descalcap port must be closed tightly for the steamer to operate properly.
	Descalcap and/or gasket is damaged.	See note #8.
Water coming from drain even when not cooking.	Condenser valve is bad.	See note #1.
Steam and/or water issuing from small valve at the top of each steam generator.	Steam generator scale buildup.	Descalcap steam generator with Cleveland Range approved descalcap. If condition persists see note #1.
	Inoperative control.	See note #1.
Water backs up into cooking compartment during generator blowdown.	Condenser box needs cleaned. (high efficiency units only)	Clean drain with USDA approved drain cleaner. If condition persists see note #1.
	External drain not properly installed, should be free-air vented and pitched down.	See notes #2 and #3.
	External drain is blocked or restricted.	Clean external drain. See note #3.
Easy Timer display has noise/disruptions.	Power surge/not clean power.	Recommended power surge bar to resolve rare EMI/power disruptions.
Easy Timer button does not respond	If EasyTimer display is ON, then the button membrane is broken.	See Note 1.
	If EasyTimer display is OFF, then wiring has been damaged.	See Note 1.

TROUBLESHOOTING NOTES

1. If problem is inside the steamer, call an authorized service representative. Cleveland Range will not pay for warranty repairs by unauthorized repair centers.
2. Proper installation of the steamer is the responsibility of the owner or installer. A qualified installer or technician should be contacted to correct the installation. Refer to Cleveland Range Warranty.
3. Repairs to external plumbing should be done by a Licensed Plumber.
4. Repairs to external wiring should be done by a Licensed Electrician.
5. For more information on products and services, contact your nearest Authorized Sales Representative. Call factory for a preventative maintenance program, descaling kits, descaling information, and water treatment systems: USA: (800) 338-2204, Canada: (800) 427-6668.
6. To evaluate whether a steamer is producing normal cooking performance, conduct the Egg Test as follows (**NOTE:** this test is not valid for pressure steamers). A properly operating steamer will produce cooked eggs as follows.

Turn on the steamer so that steam is being produced. When wisps of steam have begun to exit the steam vent, preheat the steamer by leaving it ON for ten minutes. After the compartment is preheated follow the instructions as listed below.

- Place a fresh egg on a perforated steam table pan in the middle of the cavity.
- Close the door and set the timer as directed by the size chart below.

Egg Size	Time
Medium	12 minutes
Large	14 minutes
Extra Large	14 minutes

- When time is complete, carefully remove the egg and place in a container with cold water running over it.
- Let cool under cold running water for 5 minutes.
- After cooling, crack eggshell and peel.
The result will be a perfectly hard boiled egg.

7. Whenever opening door, especially when water or steam is leaking around gasket heed the warning below

 **WARNING**

When checking inside the steamer always open the door slowly and stand to the side and back away from the steamer. Water leaking from the door gasket can be a sign of a blocked drain. If the drain is blocked, hot water can accumulate inside the compartment and spill out when the door is opened.

8. Replacement descale caps and gaskets can be ordered from a Cleveland Range authorized maintenance and repair center.
9. To reset high limit:
- Turn off power to the unit at the main external power switch.
 - Remove side panel(s) on the side of the unit that the generator high limit has tripped.
 - Follow the metal capillary from the side of the generator to the high limit.
 - Remove the small black cap, by turning it counterclockwise, and depress the small black button found under the cap to reset the limit.
 - Replace the protective cap on the hi-limit and side sheeting.
 - If the unit has not been descaled recently, descale the steamer according to the instructions found in the operator's manual.
 - If the unit has just been descaled. Close the steamer drain valve and fill the generator manually through the descale port, until water begins to come out of the steam ports in the cooking compartment.
 - Turn on power to the unit at the main external power switch.
 - If problem persists, see note #1.

Cleveland

Cleveland Range, LLC
760 Beta Drive, Unit D
Mayfield Village, Ohio 44143
216.481.4900
800.338.2204

Every new piece of Welbilt Foodservice equipment comes with KitchenCare® and you choose the level of service that meets your operational needs from one restaurant to multiple locations

StarCare – Warranty & lifetime service, certified OEM parts, global parts inventory, performance audited

ExtraCare – CareCode, 24/7 Support, online/mobile product information

LifeCare – Install & equipment orientation, planned maintenance, KitchenConnect™, MenuConnect®

Talk with KitchenCare® • 1-844-724-CARE • www.mtwkitchencare.com



To learn how Welbilt Foodservice and its leading brands can equip you, visit our global web site at www.welbilt.com, then discover the regional or local resources available to you.

©2016 Welbilt Foodservice except where explicitly stated otherwise. All rights reserved. Continuing product improvement may necessitate change of specifications without notice.