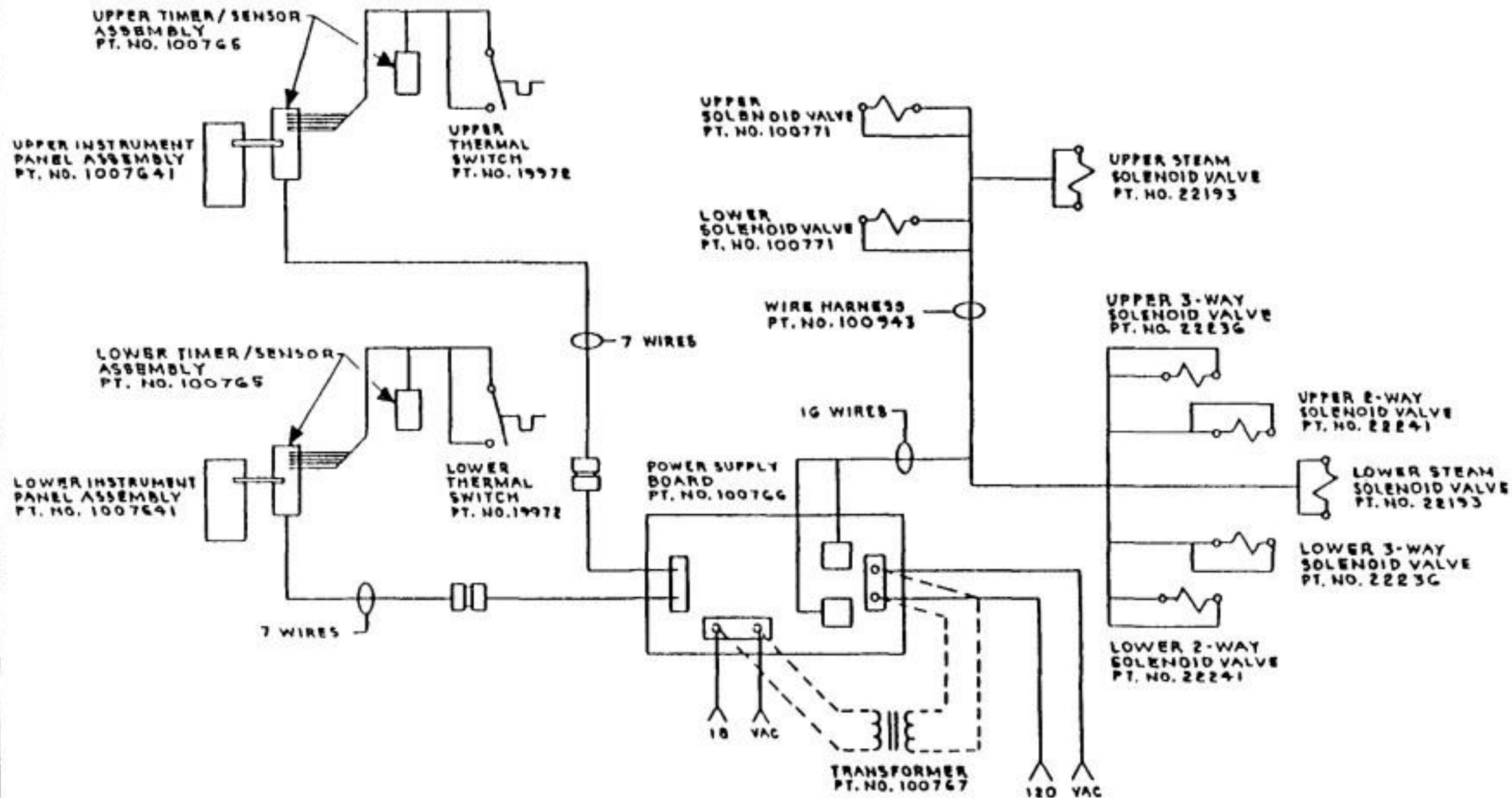


PIN #	DESCRIPTION	W 200	A 200
1	120 VDC	200	200
2	COMMON		
3	18 VDC		
4	Buzzer		
5	STEAM RELAY	1C5	4C5
6	LOCK RELAY	2C5	5C5
7	PRESSURE RELAY	3C5	6C5
8	N.C.		



NOTE: NOT USED ON
ELECTRIC GENERATORS

STEAMPRO XVI CONTROL WIRING