

Parts Manual

Convotherm Combination Oven-Steamer

MODELS: Gas 10.10 and 6.20



OGS-10.10



OGS-6.20



OGB-10.10



OGB-6.20



Enodis

1333 East 179th St., Cleveland, Ohio, U.S.A. 44110

Phone: (216) 481-4900 Fax: (216) 481-3782
Visit our web site at www.clevelandrange.com

1010 GAS GENERATOR W CLEANING

Washer Arm C

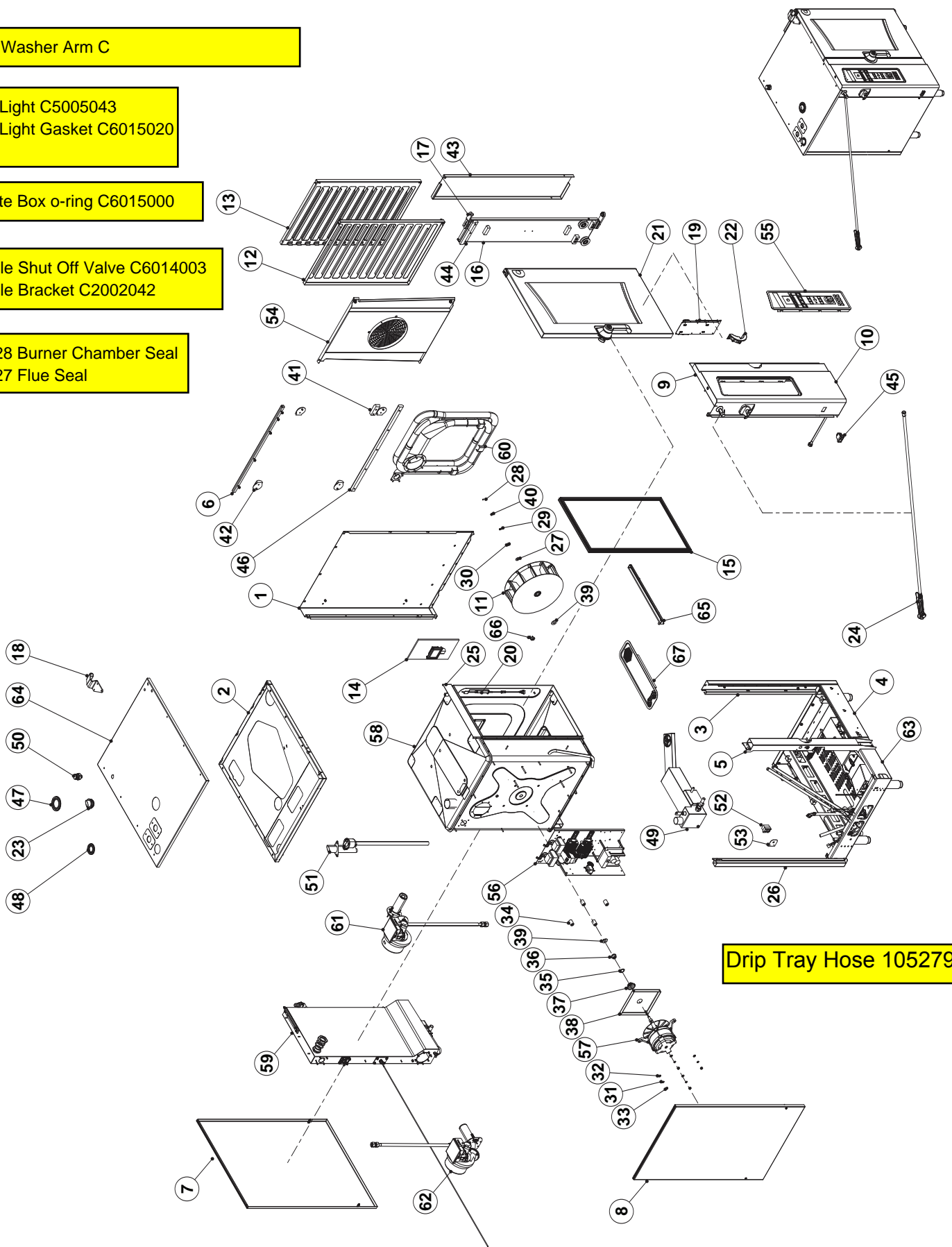
Light C5005043
Light Gasket C6015020

Condensate Box o-ring C6015000

Spray Handle Shut Off Valve C6014003
Spray Handle Bracket C2002042

C6015028 Burner Chamber Seal
C6015027 Flue Seal

Drip Tray Hose 105279



1010 GAS GENERATOR W CLEANING

ITEM	QTY	PART NO.	DESCRIPTION
1	1	C2115483	ASSEMBLY, PANEL, RIGHT SIDE, 10.10
2	1	C2114824	ASSEMBLY/WELDMENT, INTERMEDIATE TOP, 6.10/10.10
3	1	C2115490	ASSEMBLY, CORNER, FRONT, RIGHT, 10.10/10.20
4	1	C2114452	WELDMENT, FACE PLATE, LOWER, 6.10/10.10
5	1	C2114719	WELDMENT, REINFORCEMENT, DOOR LATCH, 10.10/10.20
6	1	C2114688	ASSEMBLY, SLIDE BAR, DISAPPEARING DOOR, 6.10/10.10
7	1	C2114743	ASSEMBLY, PANEL, REAR, ELECTRIC & GAS INJ, 10.10
8	1	C2114783	ASSEMBLY, PANEL, LEFT SIDE, 10.10
9	1	C2115375	WELDMENT, CHANNEL, FRONT, 6.10/10.10
10	1	C2115443	FRONT PIECE, PRE-MOUNTED, 10.10
11	1	C6010001	WHEEL, BLOWER, 350mm OD X 110mm WIDE, TYPE 304 6.20 & 10.10 COMBI
12	1	C2214190	PAN RACK, LEFT, ELECTROPOLISHED, 10.10
13	1	C2214191	WELDMENT, PAN RACK, RIGHT, 10.10
14	1	C2614841	CAVITY LIGHT
15	1	C7011002	DOOR SEAL, 10.10
16	1	C2614802	ASSEMBLY, SLIDING PLATE VST 10.10/10.20
17	1	C2013006	WELDMENT, HINGE CARRIER, UPPER, DOOR
18	1	C2614740	ASSEMBLY, GUIDE CLIP, VST, COUNTERTOP MODEL
19	1	C26142661	ASSEMBLY, CONTROLLER
20	1	C2614263	ASSEMBLY, CORE TEMPERATURE SENSOR
21	1	C2514352	ASSEMBLY, DOOR 10.10
C6012001	22	C2216070	ASSEMBLED, BLOCK
23	1	C2608962	ASSEMBLY, NEGATIVE PRESSURE SAFETY VENT
24	1	C22160801	ASSEMBLY, HAND SHOWER, 10.10, 6.10
25	1	C2114731	FACEPLATE, UPPER X.10
26	1	C2114634	CORNER, WELDED, REAR, LEFT, 10.10/10.20
27	1	111544	WASHER, BELLEVILLE, M10, SMOOTH, TYPE 301 SST, 10.21mm ID X 24mm OD X 1.85mm THICK
28	1	111543	RING, RETAINING, EXTERNAL, 1/4", STAINLESS STEEL, WALDES #5100-25H
29	1	111542	WASHER, BELLEVILLE, M8, SERRATED BOTH SIDES, SST, 8.4mm ID X 13mm OD X 0.8mm THICK
30	1	111540	NUT, HEX, M10 X 1.5 (DIN 934), STAINLESS STEEL
31	4	C8006060	SCHNORR LOCK WASHER
32	4	C8005050	WASHER, 8.4 A2 DIN 125
33	4	C8004057	NUT, HEX, M8 A4
34	4	C6015213	SPACER, MOTOR 1.299 (FAN DISTANCE 2.008in)
35	1	C6015210	SHIM, WEARING MOTOR SHAFT SEAL
36	1	C6015206	BUSHING, LABYRINTH
37	1	C6015050	SPRING, MOTOR SHAFT SEAL
38	1	C2114140	MOTOR MOUNTING PLATE
39	2	C6015021	SEALING RING, MOTOR SHAFT, VITON, COMBI
40	1	111541	NUT, HEX, LEFT-HAND, M8 X 1.25 (DIN 934L), STAINLESS STEEL
41	1	C6012009	GUIDE STRIP, LOWER VST
42	4	C6012011	DOORSTOPPER VA VST
43	1	C2114817	COVER PANEL VST 10.10/10.20
44	1	C6012008	SUPPORT STRIP RST
45	1	19993	SWITCH, ROCKER, DPDT, ON/OFF 15A, 125V
46	1	C2017001	SAFETY RAIL VST 6.10/10.10
47	1	C6005427	DIAPHRAGM GROMMET \varnothing 83 (DG60) FOR VAC. REG. VALVE
48	1	C6005048	DIAPHRAGM GROMMET \varnothing 60 mm (DG 48)
49	1	C2414125	FINAL ASSEMBLY, CONDENSER
50	1	109641	PORT ASSY, DESCALER
51	1	C2114287	ASSEMBLY, AIR OUTLET
52	1	C5001041	SAFETY TEMPERATURE LIMITER, 340°C
53	1	C2114798	BRACKET, HIGH LIMIT, STEAM GENERATOR
54	1	C2214143	ASSEMBLY, INTAKE PANEL, GEN, 10.10,
55	1	C2114296	ASSY, CONTROL PANEL, STEAM GEN, WITH PICTO
56	1	300480	ASSY., COMP. PANEL, OGB 6.20/10.10
57	1	C50180211	MOTOR W/STUD, ALL VOLTAGES, 3-PHASE, 4 POLE, 0.6KW, GAS COMBI
58	1	C2215042	WELDMENT, INNER HOUSING, GAS, GEN, 10.10, REI
59	1	C2314882	STEAM GENERATOR, GAS, 10.10, PREASSEMBLED
60	1	C2010000	WELDMENT, HEAT EXCHANGER, GAS, 10.10/20.10
61	1	C2614862	BURNER INSERT, 10.10/20.10, HOT AIR, NAT GAS
62	1	C2314900	ASSEMBLY, BURNER INSERT, GEN, GAS, 6.20/10.10, NAT
63	1	C2114545	BASE, GAS, GEN, 10.10 W/CLEANING
64	1	C2115463	ASSEMBLY, PANEL, TOP, GAS GEN, 10.10
65	1	C2018000	DRIP TRAY, 10.10
66	1	C2016009	COVER, BYPASS
67	1	C2216796	ASSEMBLY, COVER, DEHUMIDIFYING GUTTER

1010 GAS INJ W CLEANING

ITEM	QTY	PART NO.	DESCRIPTION
1	1	C2115483	ASSEMBLY, PANEL, RIGHT SIDE, 10.10
2	1	C2114824	ASSEMBLY/WELDMENT, INTERMEDIATE TOP, 6.10/10.10
3	1	C2115490	ASSEMBLY, CORNER, FRONT, RIGHT, 10.10/10.20
4	1	C2114452	WELDMENT, FACE PLATE, LOWER, 6.10/10.10
5	1	C2114719	WELDMENT, REINFORCEMENT, DOOR LATCH, 10.10/10.20
6	1	C2114688	ASSEMBLY, SLIDE BAR, DISAPPEARING DOOR, 6.10/10.10
7	1	C2114743	ASSEMBLY, PANEL, REAR, ELECTRIC & GAS INJ, 10.10
8	1	C2114783	ASSEMBLY, PANEL, LEFT SIDE, 10.10
9	1	C2115375	WELDMENT, CHANNEL, FRONT, 6.10/10.10
10	1	C2115443	FRONT PIECE, PRE-MOUNTED, 10.10
11	1	C6010001	WHEEL, BLOWER, 350mm OD X 110mm WIDE, TYPE 304 SST, 6.20 & 10.10 COMBI
12	1	C2114292	AIR OUTLET CONECTING PIECE 20.20 GEN. 6.20/10.10/20.20 INJ.
13	1	C22141901	PAN RACK, LEFT, ELECTROPOLISHED, 10.10
14	1	C2214191	WELDMENT, PAN RACK, RIGHT, 10.10
15	1	C2114296-3	ASSY, CONTROL PANEL, SPRITZER, WITH PICTO
16	1	C2214153	ASSEMBLY, INTAKE PANEL INJ 10.10
17	1	C2614841	CAVITY LIGHT
18	1	C7011002	DOOR SEAL, 10.10
19	1	C2614802	ASSEMBLY, SLIDING PLATE VST 10.10/10.20
20	1	C2013006	WELDMENT, HINGE CARRIER, UPPER, DOOR
21	1	C2614740	ASSEMBLY, GUIDE CLIP, VST, COUNTERTOP MODEL
22	1	C26142661	ASSEMBLY, CONTROLLER
23	1	C2614263	ASSEMBLY, CORE TEMPERATURE SENSOR
24	1	C2514352	ASSEMBLY, DOOR 10.10
25	1	C2216070	ASSEMBLED, BLOCK
26	1	C2608962	ASSEMBLY, NEGATIVE PRESSURE SAFETY VENT
27	1	C22160801	ASSEMBLY, HAND SHOWER, 10.10, 6.10
28	1	C2114731	FACEPLATE, UPPER X.10
29	1	C2114634	CORNER, WELDED, REAR, LEFT, 10.10/10.20
30	1	111544	WASHER, BELLEVILLE, M10, SMOOTH, TYPE 301 SST, 10.21mm ID X 24mm OD X 1.85mm THICK
31	1	111543	RING, RETAINING, EXTERNAL, 1/4", STAINLESS STEEL, WALDES #5100-25H
32	1	111542	WASHER, BELLEVILLE, M8, SERRATED BOTH SIDES, SST, 8.4mm ID X 13mm OD X 0.8mm THICK
33	1	111540	NUT, HEX, M10 X 1.5 (DIN 934), STAINLESS STEEL
34	4	C8006060	SCHNORR LOCK WASHER
35	4	C8005050	WASHER, 8.4 A2 DIN 125
36	4	C8004057	NUT, HEX, M8 A4
37	4	C6015213	SPACER, MOTOR 1.299 (FAN DISTANCE 2.008in)
38	1	C6015210	SHIM, WEARING MOTOR SHAFT SEAL
39	1	C6015206	BUSHING, LABYRINTH
40	1	C6015050	SPRING, MOTOR SHAFT SEAL
41	1	C2114140	MOTOR MOUNTING PLATE
42	2	C6015021	SEALING RING, MOTOR SHAFT, VITON, COMBI
43	1	111541	NUT, HEX, LEFT-HAND, M8 X 1.25 (DIN 934L), STAINLESS STEEL
44	1	C6012009	GUIDE STRIP, LOWER VST
45	4	C6012011	DOORSTOPPER VA VST
46	1	C2114817	COVER PANEL VST 10.10/10.20
47	1	C6012008	SUPPORT STRIP RST
48	1	19993	SWITCH, ROCKER, DPDT, ON/OFF 15A, 125V
49	1	C2017001	SAFETY RAIL VST 6.10/10.10
50	1	C6005427	DIAPHRAGM GROMMET ø 83 (DG60) FOR VAC. REG. VALVE
51	1	C6005048	DIAPHRAGM GROMMET ø 60 mm (DG 48)
52	1	C2414125	FINAL ASSEMBLY, CONDENSER
53	1	C50180211	MOTOR W/STUD, ALL VOLTAGES, 3-PHASE, 4 POLE, 0.6KW, GAS COMBI
54	1	C2114535	BASE, GAS, INJ, 10.10 W/CLEANING
55	1	C2215041	WELDMENT, INNER HOUSING, GAS, INJ, 10.10, REI
56	1	C2614862	BURNER INSERT, 10.10/20.10, HOT AIR, NAT GAS
57	1	C2010000	WELDMENT, HEAT EXCHANGER, GAS, 10.10/20.10
58	1	300488	ASSY., COMP. PANEL, OGS 6.20/10.10
59	1	C2115453	ASSEMBLY, TOP PANEL, GAS INJ, 10.10
60	1	C2018000	DRIP TRAY, 10.10
61	1	C2016009	COVER, BYPASS
62	1	C2216796	ASSEMBLY, COVER, DEHUMIDIFYING GUTTER

620 GAS GEN W CLEANING

No Descaler cover
111584

Washer Arm C2611068

Set of racks with center support
FK1119821

Light Gasket C6015020

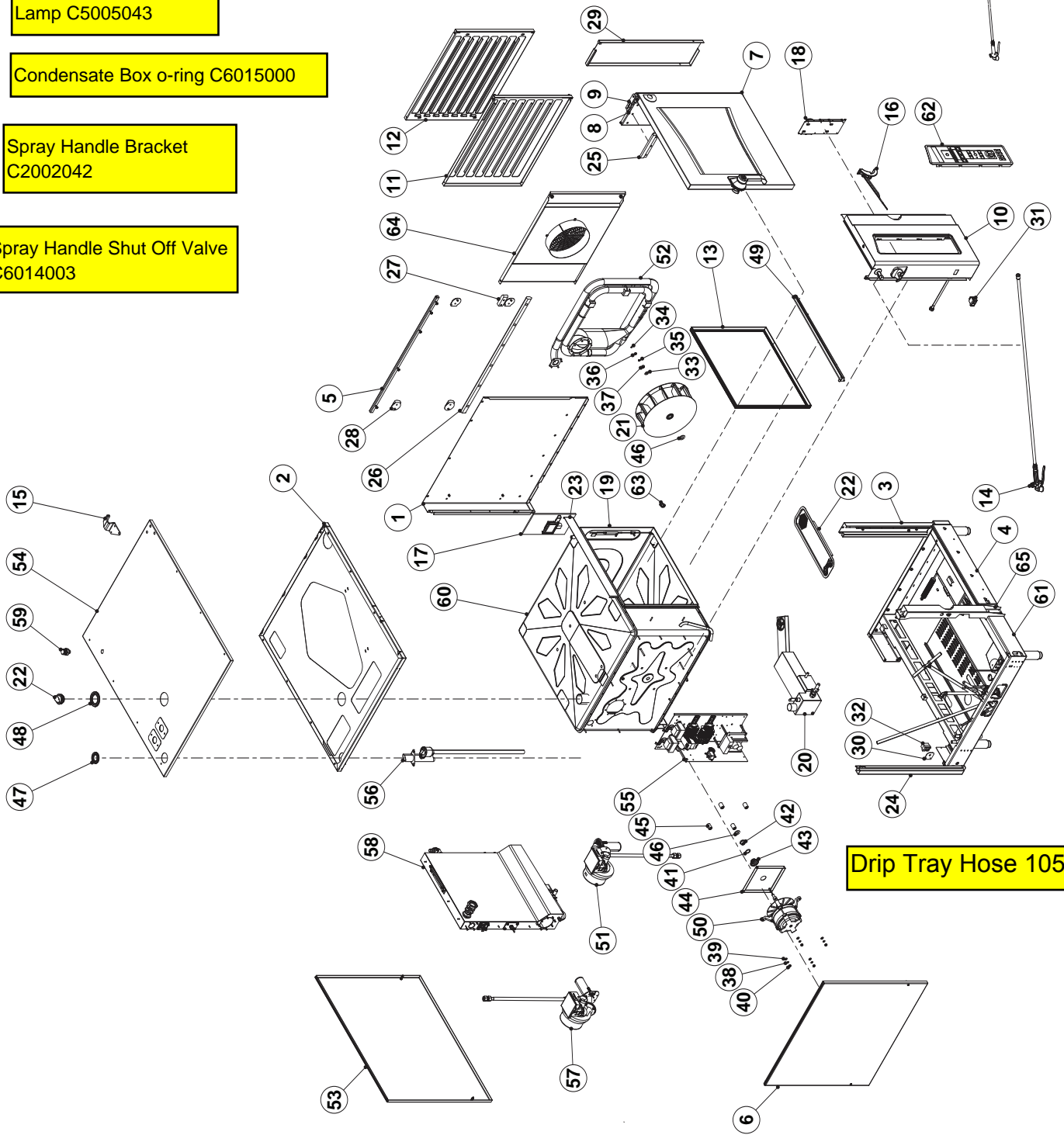
Lamp C5005043

Condensate Box o-ring C6015000

Spray Handle Bracket
C2002042

Spray Handle Shut Off Valve
C6014003

Drip Tray Hose 105279



620 GAS GEN W CLEANING

ITEM	QTY	PART NO.	DESCRIPTION
1	1	C2115482	ASSEMBLY, PANEL, RIGHT SIDE, 6.20
2	1	C2114826	ASSEMBLY/WELDMENT, INTERMEDIATE TOP, 6.20/10.20
3	1	C2115489	ASSEMBLY, CORNER, FRONT, RIGHT, 6.20
4	1	C2114453	WELDMENT, FACEPLATE, LOWER, 6.20/10.20
5	1	C2114690	ASSEMBLY, SLIDE BAR, DISAPPEARING DOOR, X.20
6	1	C2114782	ASSEMBLY, PANEL, LEFT SIDE, 6.20
7	1	C2514351	DOOR 6.20 COMPLETE
8	1	C2614801	SLIDING PLATE VST 6.20 COMPLETE
9	1	C2013006	WELDMENT, HINGE CARRIER, UPPER, DOOR
10	1	C2115442	ASSEMBLY, CORNER, FRONT LEFT, 6.20
11	1	C22141881	PAN RACKS, LEFT, ELECTROPOLISHED, 6.20
11	1	C22141891	PAN RACKS, RIGHT, ELECTROPOLISHED, 6.20
13	1	C7011004	DOOR SEAL, 6.20
14	1	C2216080	ASSEMBLY, HAND SHOWER
15	1	C2614740	ASSEMBLY, GUIDE CLIP, VST, COUNTERTOP MODEL
16	1	C6012001	ASSEMBLY, BLOCK
17	1	C2614841	CAVITY LIGHT
18	1	C26142661	ASSEMBLY, CONTROLLER
19	1	C2614263	ASSEMBLY, CORE TEMPERATURE SENSOR
20	1	C2414125	FINAL ASSEMBLY, CONDENSER
21	1	C6010001	WHEEL, BLOWER, 350mm OD X 110mm WIDE, TYPE 304 SST, 6.20 & 10.10 COMBI
22	1	C2608962	ASSEMBLY, NEGATIVE PRESSURE SAFETY VENT
23	1	C2114732	FACEPLATE, UPPER X.20
24	1	C2114633	CORNER, WELDED, REAR, LEFT, 6.20
25	1	C6012008	SUPPORT STRIP RST
26	1	C2017000	SAFETY RAIL, VST, X.20
27	1	C6012009	GUIDE STRIP, LOWER VST
28	4	C6012011	DOORSTOPPER VA VST
29	1	C2114816	COVER PANEL, DISAPPEARING DOOR RST 6.20
30	1	C2114798	BRACKET, HIGH LIMIT, STEAM GENERATOR
31	1	C5001041	SAFETY TEMPERATURE LIMITER, 340°C
33	1	111544	WASHER, BELLEVILLE, M10, SMOOTH, TYPE 301 SST, 10.21mm ID X 24mm OD X 1.85mm THICK
34	1	111543	RING, RETAINING, EXTERNAL, 1/4", STAINLESS STEEL, WALDES #5100-25H
35	1	111542	WASHER, BELLEVILLE, M8, SERRATED BOTH SIDES, SST, 8 x4mm ID X 13mm OD X 0.8mm THICK
36	1	111541	NUT, HEX, LEFT-HAND, M8 X 1.25 (DIN 934L), STAINLESS STEEL
37	1	111540	NUT, HEX, M10 X 1.5 (DIN 934), STAINLESS STEEL
38	4	C8006060	SCHNORR LOCK WASHER
39	4	C8005050	WASHER, 8.4 A2 DIN 125
40	4	C8004057	NUT, HEX, M8 A4
41	1	C6015210	SHIM, WEARING MOTOR SHAFT SEAL
42	1	C6015206	BUSHING, LABYRINTH
43	1	C6015050	SPRING, MOTOR SHAFT SEAL
44	1	C2114140	MOTOR MOUNTING PLATE
45	4	C6015213	SPACER, MOTOR 1.299 (FAN DISTANCE 2.008in)
46	2	C6015021	SEALING RING, MOTOR SHAFT, VITON, COMBI
47	1	C6005048	DIAPHRAGM GROMMET ø 60 mm (DG 48)
48	1	C6005427	DIAPHRAGM GROMMET ø 83 (DG60) FOR VAC. REG. VALVE
49	1	C2018001	DRIP TRAY, DOOR
50	1	C50180211	MOTOR W/STUD, ALL VOLTAGES, 3-PHASE, 4 POLE, 0.6KW, GAS COMBI
51	1	C2614860	BURNER INSERT, 6.20, AIR, COMPLETE, NAT GAS
52	1	C2010032	HEAT EXCHANGER 6.20 WELDED
53	1	C2114742	ASSEMBLY, PANEL, REAR, ELECTRIC & GAS INJ, 6.20
54	1	C2115462	ASSEMBLY, TOP PANEL, GAS GEN, 6.20
55	1	300480	ASSY., COMP. PANEL, OGB 6.20/10.10
56	1	C2114287	ASSEMBLY, AIR OUTLET,
57	1	C2314900	ASSEMBLY, BURNER INSERT, GEN, GAS, 6.20/10.10, NAT
58	1	C2314881	ASSEMBLY, STEAM GENERATOR, GAS 6.20
59	1	109641	PORT ASSY, DESCALER
60	1	C2215026	ASSEMBLY, INNER HOUSING, 6.20, GAS, STEAM GEN, REI, KTM
61	1	C21145471	BASE, 6.20 GAS GEN, W/CLEAN
62	1	C2114296	ASSY, CONTROL PANEL, STEAM GEN, WITH PICTO
63	1	C2016009	COVER, BYPASS
64	1	C2214142	INTAKE PANEL STEAM GENERATOR 6.20, COMPLETE
65	1	C2114718	ASSEMBLY, REINFORCEMENT, DOOR LATCH, 6.20

620 GAS INJ W CLEANING

No Descaler cover
111584

Washer Arm C2611068

Light gasket C6015020

Lamp C5005043

Condensate Box o-ring C6015000

Spray Handle Bracket
C2002042

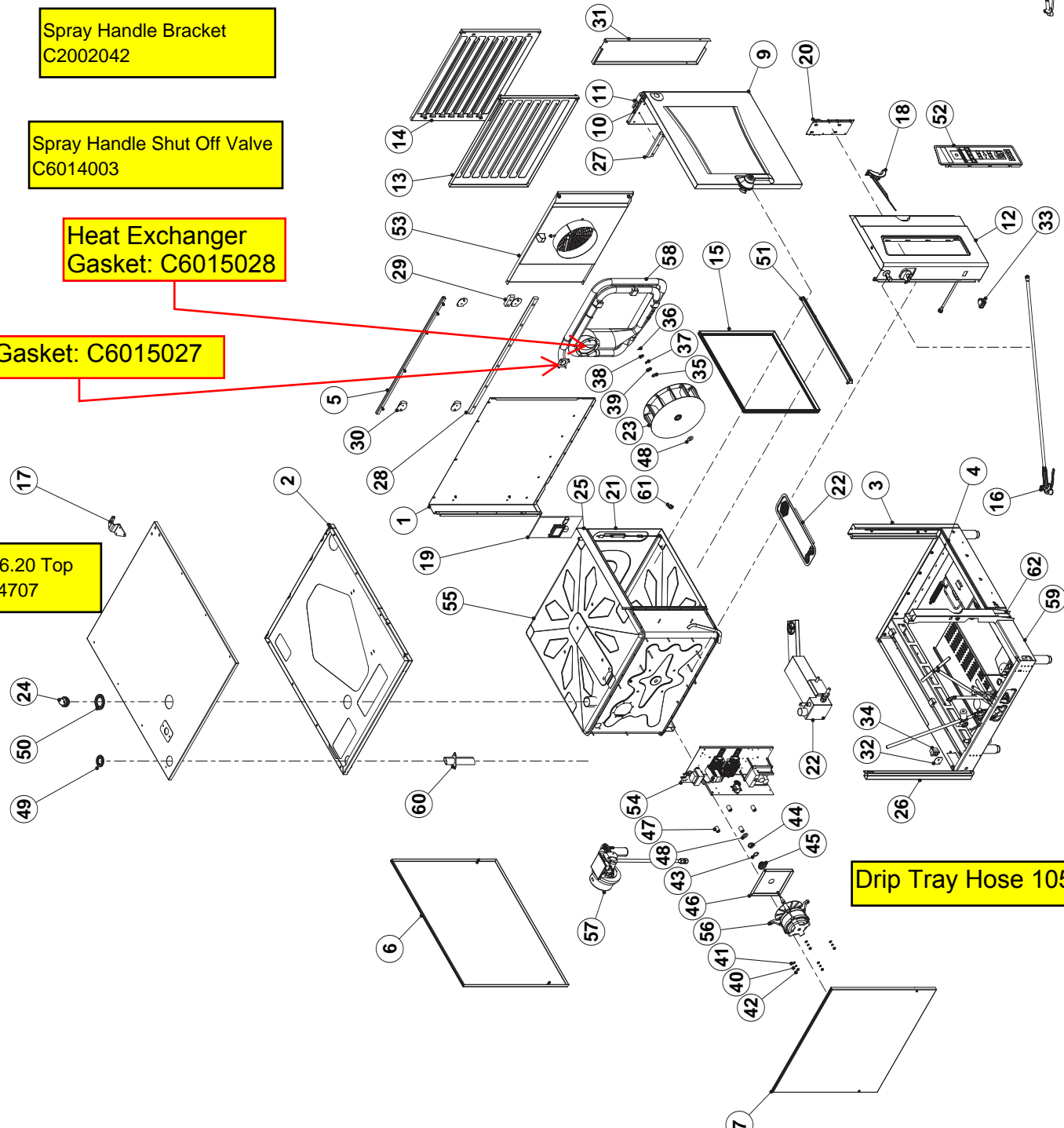
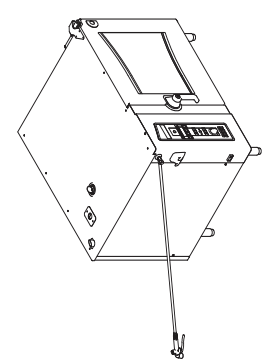
Spray Handle Shut Off Valve
C6014003

Heat Exchanger
Gasket: C6015028

Flue Gasket: C6015027

OGS 6.20 Top
C2114707

Drip Tray Hose 105279

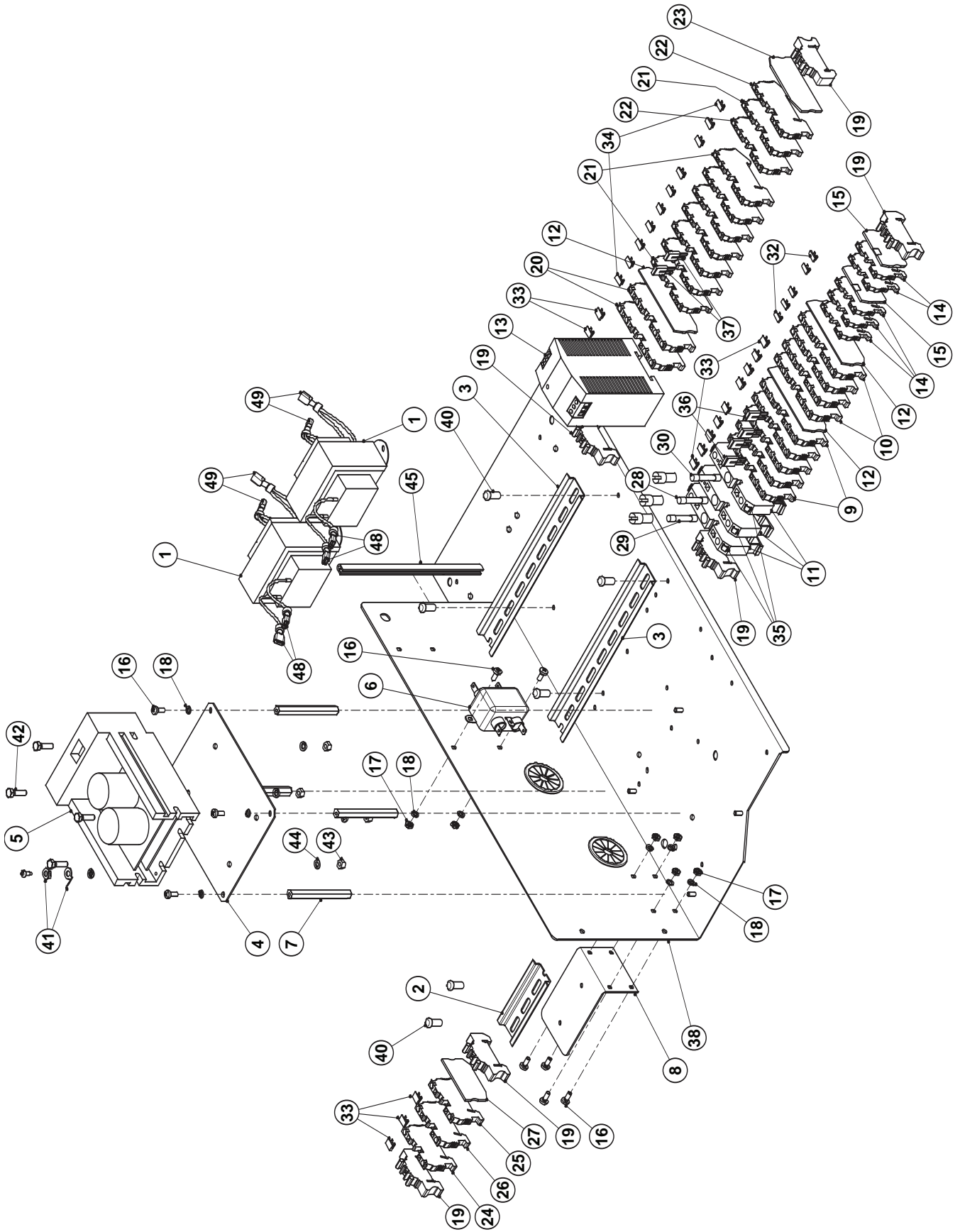


620 GAS INJ W CLEANING

ITEM	QTY	PART NO.	DESCRIPTION
1	1	C2115482	ASSEMBLY, PANEL, RIGHT SIDE, 6.20
2	1	C2114826	ASSEMBLY/WELDMENT, INTERMEDIATE TOP, 6.20/10.20
3	1	C2115489	ASSEMBLY, CORNER, FRONT, RIGHT, 6.20
4	1	C2114453	WELDMENT, FACEPLATE, LOWER, 6.20/10.20
5	1	C2114690	ASSEMBLY, SLIDE BAR, DISAPPEARING DOOR, X.20
6	1	C2114742	ASSEMBLY, PANEL, REAR, ELECTRIC & GAS INJ, 6.20
7	1	C2114782	ASSEMBLY, PANEL, LEFT SIDE, 6.20
8	1	C2115452	ASSEMBLY, TOP PANEL, GAS INJ, 6.20
9	1	C2514351	DOOR 6.20 COMPLETE
10	1	C2614801	SLIDING PLATE VST 6.20 COMPLETE
11	1	C2013006	WELDMENT, HINGE CARRIER, UPPER, DOOR
12	1	C2115442	ASSEMBLY, CORNER, FRONT LEFT, 6.20
13	1	C22141881	PAN RACKS, LEFT, ELECTROPOLISHED, 6.20
14	1	C22141891	PAN RACKS, RIGHT, ELECTROPOLISHED, 6.20
15	1	C7011004	DOOR SEAL, 6.20,
16	1	C2216080	ASSEMBLY, HAND SHOWER
17	1	C2614740	ASSEMBLY, GUIDE CLIP, VST, COUNTERTOP MODEL
18	1	C6012001	ASSEMBLY, BLOCK
19	1	C2614841	CAVITY LIGHT
20	1	C26142661	ASSEMBLY, CONTROLLER
21	1	C2614263	ASSEMBLY, CORE TEMPERATURE SENSOR
22	1	C2414125	FINAL ASSEMBLY, CONDENSER
23	1	C6010001	WHEEL, BLOWER, 350mm OD X 110mm WIDE, TYPE 304 SST, 6.20 & 10.10 COMBI
24	1	C2608962	ASSEMBLY, NEGATIVE PRESSURE SAFETY VENT
25	1	C2114732	FACEPLATE, UPPER X.20
26	1	C2114633	CORNER, WELDED, REAR, LEFT, 6.20
27	1	C6012008	SUPPORT STRIP RST
28	1	C2017000	SAFETY RAIL, VST, X.20
29	1	C6012009	GUIDE STRIP, LOWER VST
30	4	C6012011	DOORSTOPPER VA VST
31	1	C2114816	COVER PANEL, DISAPPEARING DOOR RST 6.20
32	1	C2114798	BRACKET, HIGH LIMIT, STEAM GENERATOR
33	1	19993	SWITCH, ROCKER, DPDT, ON/OFF 15A, 125V
34	1	C5001041	SAFETY TEMPERATURE LIMITER, 340°C
35	1	111544	WASHER, BELLEVILLE, M10, SMOOTH, TYPE 301 SST, 10.21mm ID X 24mm OD X 1.85mm THICK
36	1	111543	RING, RETAINING, EXTERNAL, 1/4", STAINLESS STEEL, WALDES #5100-25H
37	1	111542	WASHER, BELLEVILLE, M8, SERRATED BOTH SIDES, SST, 8.4mm ID X 13mm OD X 0.8mm THICK
38	1	111541	NUT, HEX, LEFT-HAND, M8 X 1.25 (DIN 934L), STAINLESS STEEL
39	1	111540	NUT, HEX, M10 X 1.5 (DIN 934), STAINLESS STEEL
40	4	C8006060	SCHNORR LOCK WASHER
41	4	C8005050	WASHER, 8.4 A2 DIN 125
42	4	C8004057	NUT, HEX, M8 A4
43	1	C6015210	SHIM, WEARING MOTOR SHAFT SEAL
44	1	C6015206	BUSHING, LABYRINTH
45	1	C6015050	SPRING, MOTOR SHAFT SEAL
46	1	C2114140	MOTOR MOUNTING PLATE
47	4	C6015213	SPACER, MOTOR 1.299 (FAN DISTANCE 2.008in)
48	2	C6015021	SEALING RING, MOTOR SHAFT, VITON, COMBI
49	1	C6005048	DIAPHRAGM GROMMET ø 60 mm (DG 48) P2
50	1	C6005427	DIAPHRAGM GROMMET ø 83 (DG60) FOR VAC. REG. VALVE
51	1	C2018001	DRIP TRAY, DOOR
52	1	C2114296-3	ASSY, CONTROL PANEL, SPRITZER, WITH PICTO
53	1	C2214152	ASSEMBLY, INTAKE PLATE, IN, 6.20
54	1	300488	ASSY., COMP. PANEL, OGS 6.20/10.10
55	1	C2215025	ASSEMBLY, INNER SHELL 6.20, GAS, IN, REI, KTM
56	1	C50180211	MOTOR W/STUD, ALL VOLTAGES, 3-PHASE, 4 POLE, 0.6KW, GAS COMBI
57	1	C2614860	BURNER INSERT, 6.20, AIR, COMPLETE, NAT GAS
58	1	C2010032	HEAT EXCHANGER 6.20 WELDED
59	1	C2114537	BASE, GAS, INJ, 6.20, W/ CLEANING
60	1	C2114292	AIR OUTLET CONNECTING PIECE 20.20 GEN. 6.20/10.10/20.20INJ.
61	1	C2016009	COVER, BYPASS
62	1	C2114718	ASSEMBLY, REINFORCEMENT, DOOR LATCH, 6.20

COMPONENT PANEL ASSEMBLY, Gas

OGB 6.20 & 10.10 MODELS



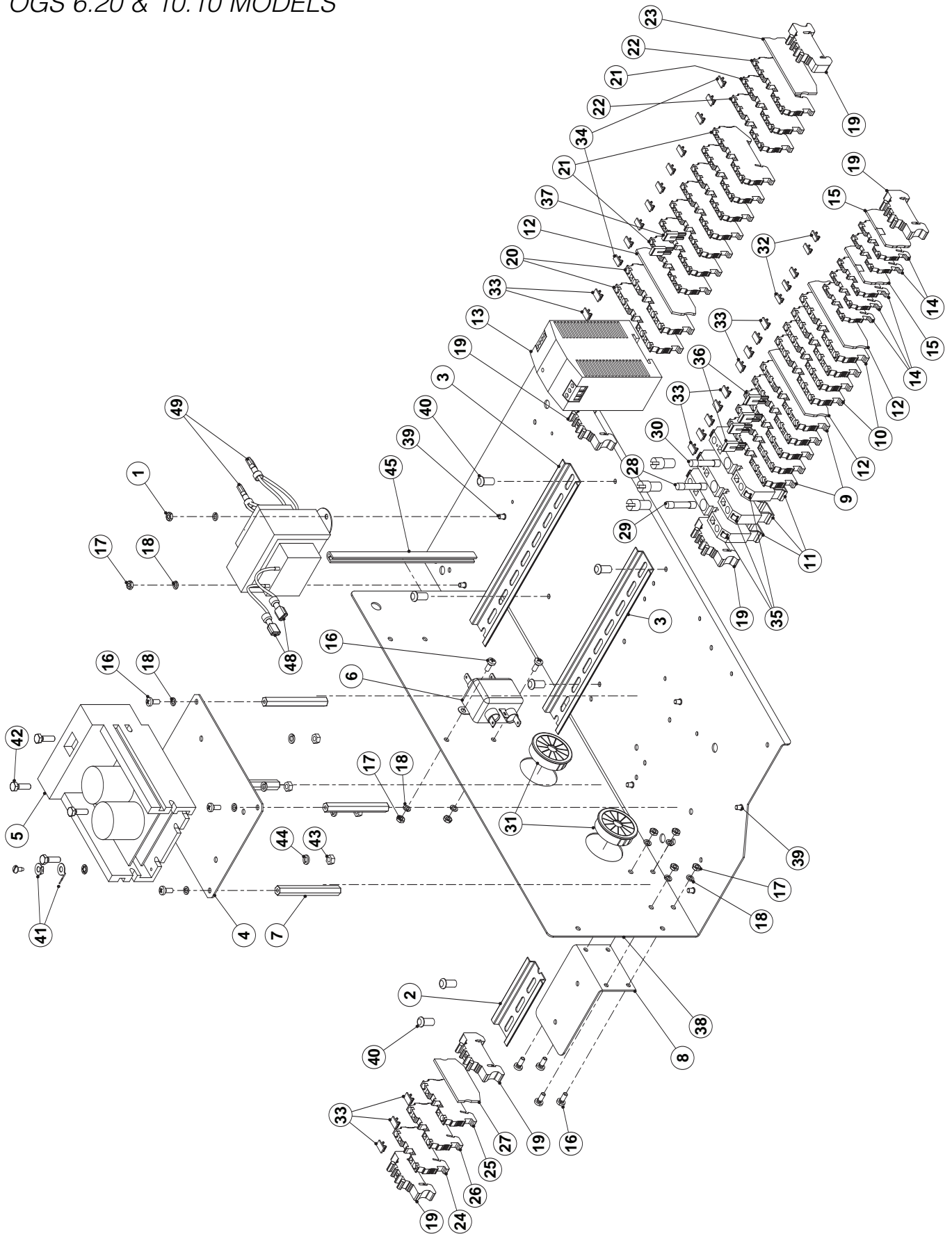
COMPONENT PANEL ASSEMBLY, GAS

OGB 6.20 & 10.10 MODELS

ITEM	QTY	PART NO.	DESCRIPTION
1	2	300419	TRANSFORMER, 24V
2	1	111603	DIN RAIL 3.25"
3	2	111601	DIN RAIL 8.375"
4	1	111526	PLATE, ADAPTER, A.C. DRIVE
5	1	300412	AC DRIVE (6.20-10.10)
6	1	300413	LINE FILTER, 10A
7	4	C8009043	M4 HEX STAND OFF, 70 MM
8	1	C5116110	BRACKET, TERMINAL BLOCK, COMPONENT PANEL
9	5	C4014012	TERMINAL BLOCK, SPRING-LOADED, FOUR-WIRE, BLUE
10	4	C4014006	TERMINAL BLOCK, CONDUCTOR, SPRING-LOADED
11	3	C4014037	DINRAIL MOUNTED FUSEHOLDER (6.3X32)
12	3	C4014011	COVER, FOUR-WIRE
13	1	300350	POWER SUPPLY (12V)
14	5	C4014030	TERMINAL BLOCK, SPRING LOADED, 1.5MM2
15	2	C4014031	COVER 2.5 MM2
16	14	C8001024	SCREW, FILISTER HD, M4x10 DIN 7985
17	6	111605	M4 NUT
18	14	111606	M4 LOCK WASHER
19	6	C4014000	SNAP-ON END BRACKET
20	2	C4014013	TERMINAL BLOCK, SPRING- LOADED, FOUR-WIRE
21	8	C4014010	TERMINAL, SPRING LOADED, FOUR WIRE, 2.5 MM2
22	2	C4014009	TERMINAL BLOCK, SPRING LOADED, 1.5 MM2, BLUE
23	1	C4014008	COVER FOUR-WIRE 2.5 MM2
24	1	C4014024	TERMINAL, FEED THROUGH, 4 MM2
25	1	C4014016	TERMINAL, GROUNDED, SPRING LOADED, 2.5 MM2
26	1	C4014023	TERMINAL, FEED THROUGH,4MM2, BLUE
27	1	C4014020	COVER 4 MM2
28	1	300418	FUSE MDA-1
29	1	300416	FUSE MDA-2
30	1	KE52936-9	FUSE, MDA-15
32	5	C4014033	LABEL BLANK, TERMINAL BLOCK, ZB4
33	14	C4014044	LABEL, BLANK, TERMINAL BLOCK, ZB6
34	10	C4014032	SERRATED COVER STRIP,PLAIN ZB5
35	6	C4014039	LABEL BLANK, TERMINAL BLOCK, ZBF6
36	4	C4014001	JUMPER, 2 PIN
37	2	C4014002	JUMPER 2-PIN
38	1	C5115400	PANEL, ELECTRICAL COMPONENT 6.10/6.20/10.10
40	6	106123	SCREW, 10-32 X 1/2, TORX/ PAN HD, THRD FORMING, ZN
41	2	20323	RING TO MALE TAB TERMINAL
42	4	C8003095	HEXAGON BOLT, M5x16, A2 HUD 20.20
43	4	C8004030	HEXAGON NUT, M5
44	4	C8006030	RING, SPRING RETAINER, B5, A2
45	1	C700106606000	EDGE GUARD
46	1	300483	WIRE HARNESS, 6.20/10.10
47	1	300501	WIRE HARNESS, POWER, OGB/OGS 6.20/10.10
48	4	20370	TERM., FULL INSUL, MALE, 0.250 TAB
49	4	300231	TERM., FULL INSUL, FEMALE, 0.250 TAB
57	2	111751	BUSHING, UNIVERSAL,1.5DIA HOLE,HEYCO#2213,SNAP-IN UL
58	4	106127	SCREW, 6-32 X 1/2, TORX/PAN HD

COMPONENT PANEL ASSEMBLY, GAS

OGS 6.20 & 10.10 MODELS

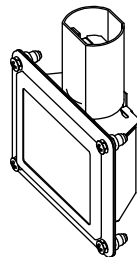
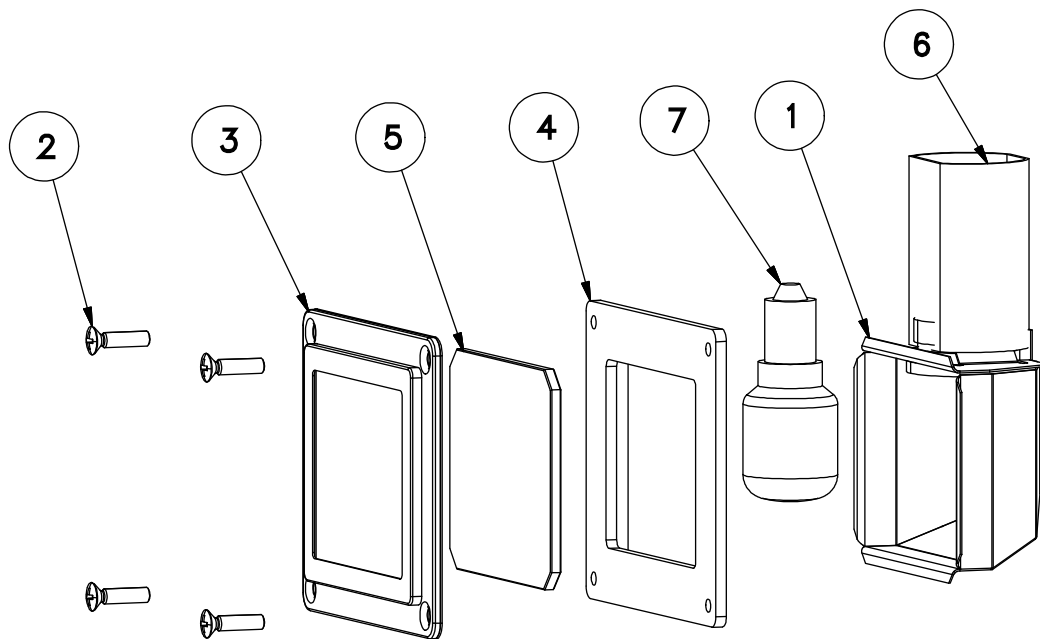


COMPONENT PANEL ASSEMBLY, GAS

OGS 6.20 & 10.10 MODELS

ITEM	QTY	PART NO.	DESCRIPTION
1	1	300419	TRANSFORMER, 24V
2	1	111603	DIN RAIL 3.25"
3	2	111601	DIN RAIL 8.375"
4	1	111526	PLATE, ADAPTER, A.C. DRIVE (NOT SHOWN)
5	1	300412	AC DRIVE (6.20-10.10) (NOT SHOWN)
6	1	300413	LINE FILTER, 10A
7	4	C8009043	M4 HEX STAND OFF, 70 MM
8	1	C5116110	BRACKET, TERMINAL BLOCK, COMPONENT
9	5	C4014012	TERMINAL BLOCK, SPRING-LOADED, FOUR-WIRE, BLUE
10	4	C4014006	TERMINAL BLOCK, CONDUCTOR, SPRING-LOADED
11	3	C4014037	DINRAIL MOUNTED FUSEHOLDER (6.3X32)
12	3	C4014011	COVER, FOUR-WIRE
13	1	300350	POWER SUPPLY (12V)
14	5	C4014030	TERMINAL BLOCK, SPRING LOADED, 1.5MM2
15	2	C4014031	COVER 2.5 MM2
16	10	C8001024	SCREW, FILISTER HD, M4x10 DIN 7985
17	8	111605	M4 NUT
18	12	111606	M4 LOCK WASHER
19	6	C4014000	SNAP-ON END BRACKET
20	2	C4014013	TERMINAL BLOCK, SPRING- LOADED, FOUR-WIRE
21	8	C4014010	TERMINAL, SPRING LOADED, FOUR WIRE, 2.5
22	2	C4014009	TERMINAL BLOCK, SPRING LOADED, 1.5 MM2,
23	1	C4014008	COVER FOUR-WIRE 2.5 MM2
24	1	C4014024	TERMINAL, FEED THROUGH, 4 MM2
25	1	C4014016	TERMINAL, GROUNDED, SPRING LOADED, 2.5 MM2
26	1	C4014023	TERMINAL, FEED THROUGH,4MM2, BLUE
27	1	C4014020	COVER 4 MM2
28	1	300418	FUSE MDA-1
29	1	300416	FUSE MDA-2
30	1	KE52936-9	FUSE, MDA-15
31	2	111751	BUSHING, UNIVERSAL, 1.5DIA HOLE,HEYCO# 2213, SNAP-IN UL
32	5	C4014033	LABEL BLANK, TERMINAL BLOCK, ZB4
33	14	C4014044	LABEL, BLANK, TERMINAL BLOCK, ZB6
34	10	C4014032	SERRATED COVER STRIP,PLAIN ZB5
35	6	C4014039	LABEL BLANK, TERMINAL BLOCK, ZBF6
36	4	C4014001	JUMPER, 2 PIN
37	2	C4014002	JUMPER 2-PIN
38	1	C5115400	PANEL, ELECTRICAL COMPONENT 6.10/6.20/10.10
39	6	C8001022	STUD, WELD, M4 X 6, CD, SST
40	6	106123	SCREW, 10-32 X 1/2, TORX/ PAN HD, THRD FORMING, ZN
41	2	20323	RING TO MALE TAB TERMINAL
42	4	C8003095	HEXAGON BOLT, M5x16, A2 HUD 20.20
43	4	C8004030	HEXAGON NUT, M5
44	4	C8006030	RING, SPRING RETAINER, B5, A2
45	1	C700106606000	EDGE GUARD
46	1	300490	WIRE HARNESS,OGS, 6.20/10.10
47	1	300501	WIRE HARNESS, POWER, OGB/OGS 6.20/10.10
48	2	20370	TERM.,FULL INSUL, MALE, 0.250 TAB
49	2	300231	TERM., FULL INSUL, FEMALE, 0.250 TAB

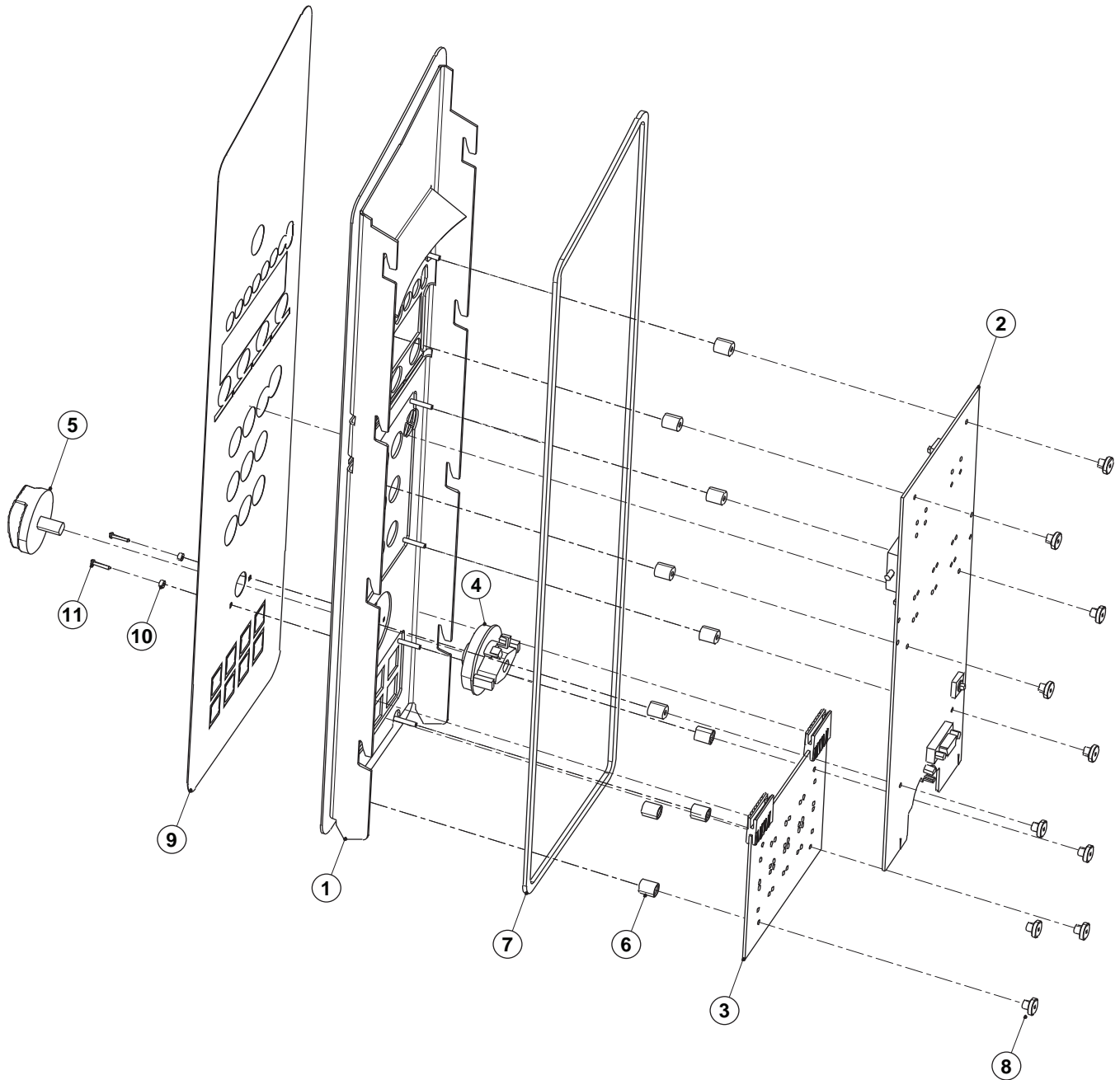
LIGHT ASSEMBLY ALL MODELS



7	1	C5005045	BULB, LIGHT, 25W, 230V (ELECTRIC UNITS)
		C5005043	BULB, LIGHT, 25W, 120V (GAS UNITS)
6	1	C8019006	PROTECTION CAP, CAVITY LIGHT
5	1	C5015002	GLASS, CAVITY LIGHT
4	1	C6015020	GASKET, CAVITY LIGHT
3	1	C5015003	FRAME, CAVITY LIGHT
2	4	C8002025	ROUNDED COUNTERSUNK HEAD SCREW M4X16
1	1	C5015001	REFLECTOR HOUSING, CAVITY LIGHT
ITEM	QTY	PART NO.	DESCRIPTION

ASSEMBLY, CONTROL PANEL, WITH PICTO

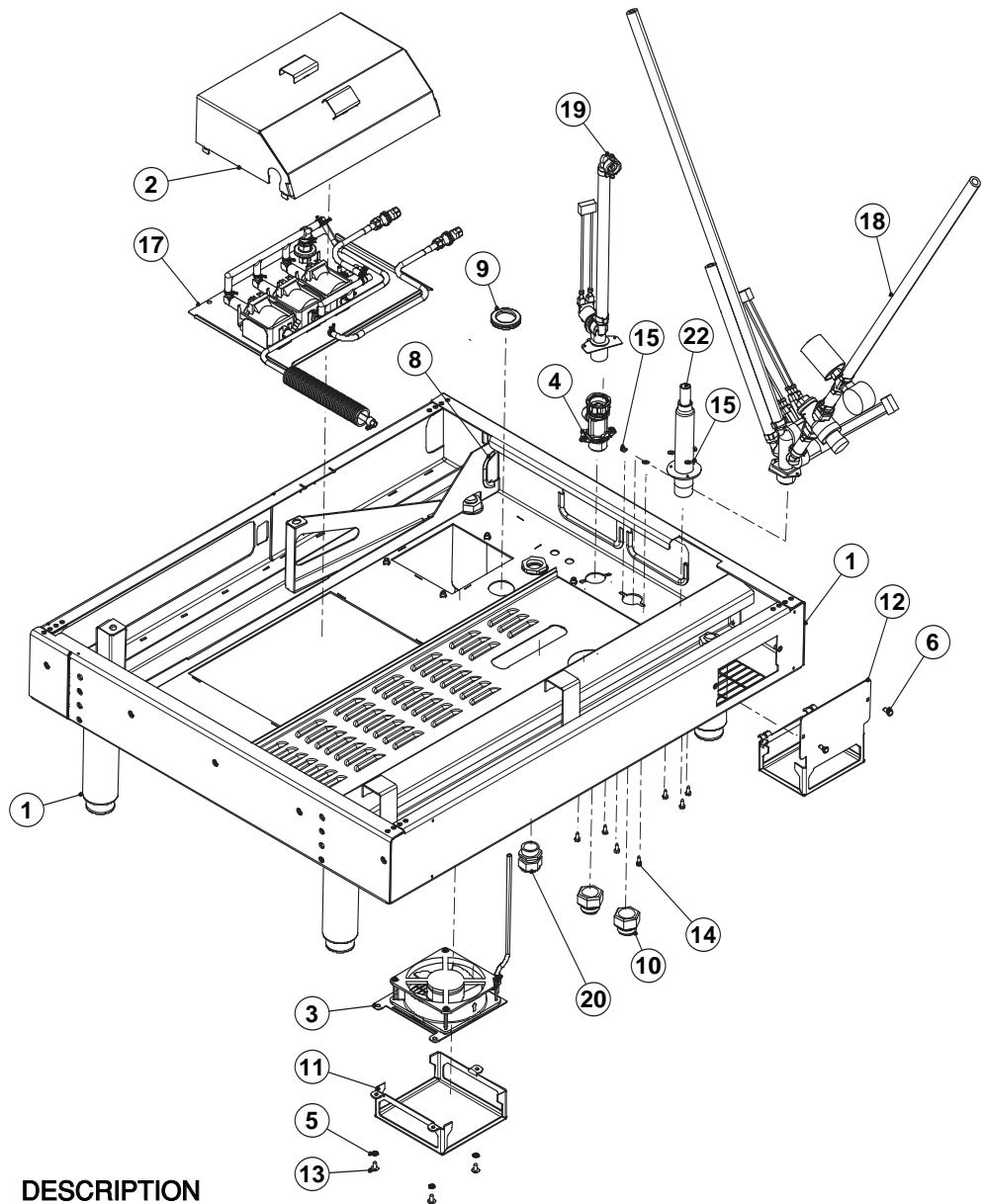
ALL MODELS



ITEM	QTY	PART NO.	DESCRIPTION
1	1	C2114297	WELDMENT, CONTROL PANEL
2	1	C5019101	CONTROLLER, 5010 OPERATING MODULE
3	1	C5019105	CONTROLLER, 5010 PICTOMODULE PICTO
4	1	C5009313	LATCH ROCKER
5	1	C5009314	KNOB, SELECTOR, COMBI
6	10	C8009030	SPACER, CONTROL PANEL
7	1	C7011010	GASKET, FRONT PLATE
8	10	C6005254	NUT, KNURLED
9	1	111588	LABEL, CONTROL PANEL, STEAM GEN, WITH PICTO
	1	111590	LABEL, CONTROL PANEL, SPRITZER, WITH PICTO
10	2	C6005270	SPACER, CONTROL KNOB STOP
11	2	C8007013	SLOTTED PAN-HEAD TAPPING SCREW 2.2 X 13
12	1	300533	CABLE, CONNECTING, CONTROL (NOT SHOWN)

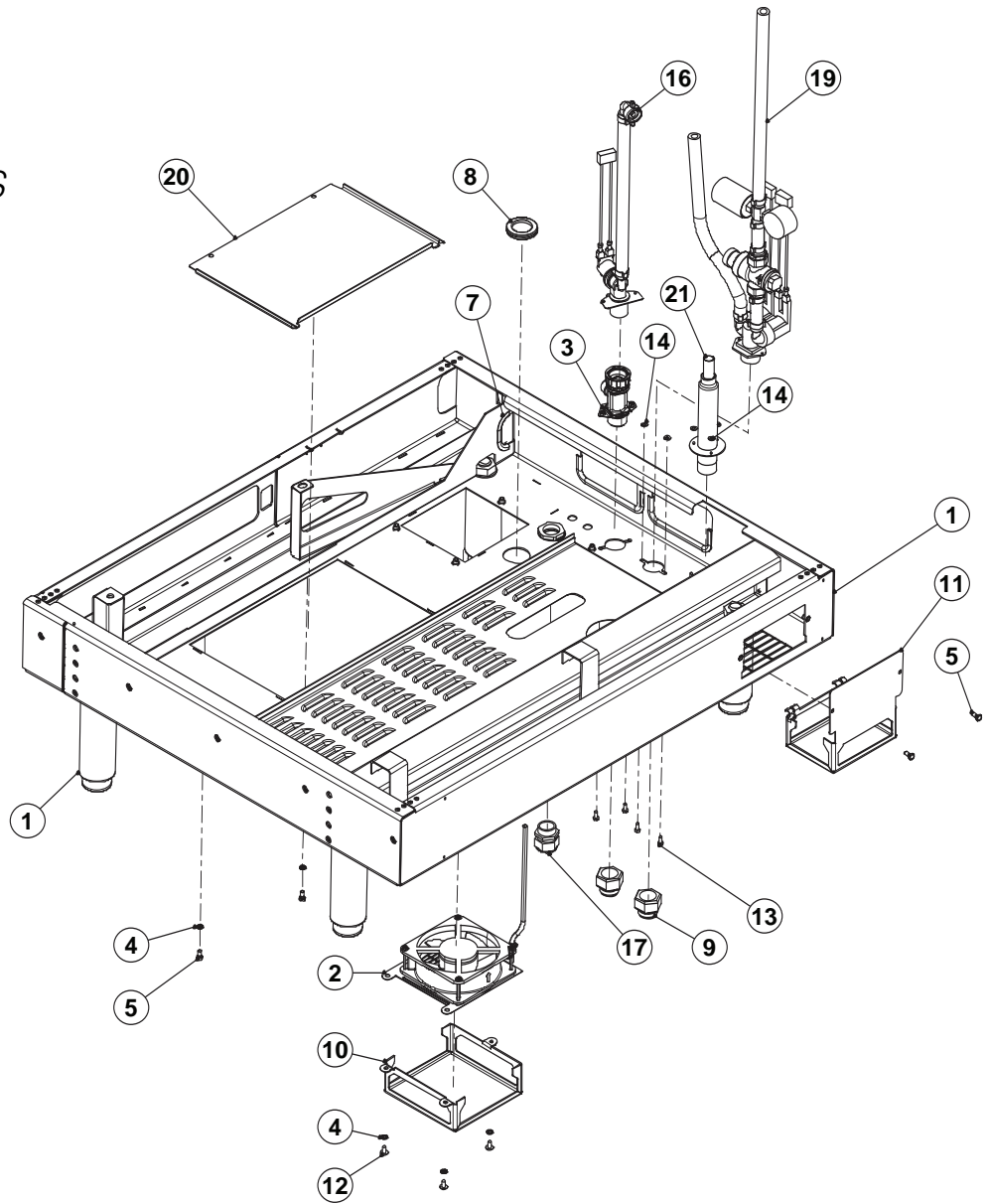
**BASE, GAS,
INJECTOR,
WITH CLEANING**
OGS 10.10 MODELS

Pressure Switch C5009055
Agent Pump 300352



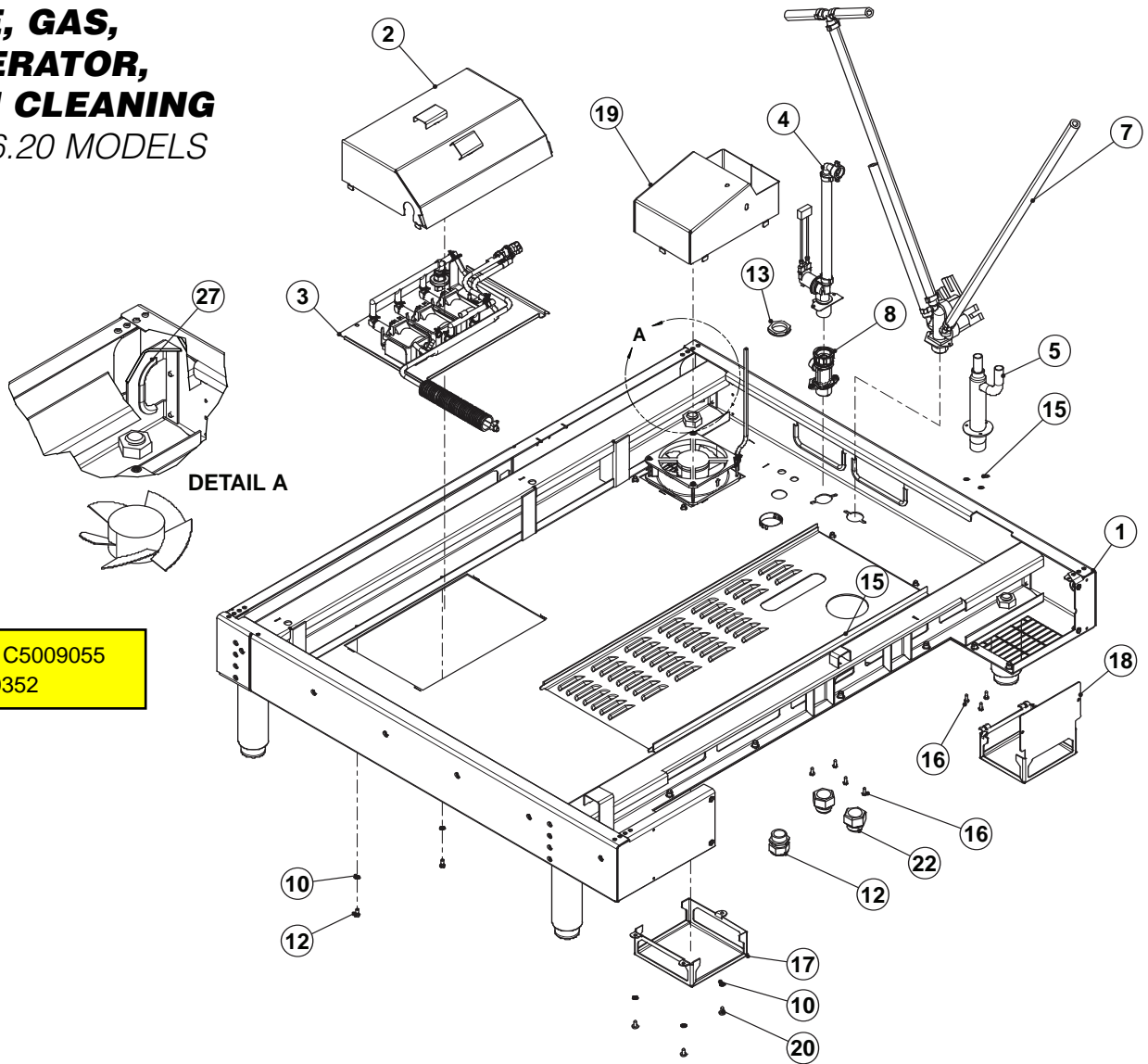
ITEM	QTY	PART NO.	DESCRIPTION
32	1	C5016002	LOCKNUT M25
31	1	C700106607000-1	EDGE PROTECTOR, CUT 7.000"
30	1	C700106607000	EDGE PROTECTOR, CUT 7.000"
22	1	C2010066	CONNECTION, GAS, SINGLE 3/4"
20	1	C5016001	FITTING, ELECTRICAL, LIQUID TIGHT
19	1	C2016147	CONDENSER HOSE ASSY, GAS
18	1	C2016130	ASSY, WATER VALVE, GAS, 10.10
17	1	C2616452	BOTTOM FLAP, PUMP HOUSING GAS 10.10 110V PREASSEMBLED (NOT SHOWN)
16	1	C5215897	CABLE HARNESS, ILLUMINATION
15	5	C8005021	WASHER, 4.3, DIN 125
14	7	C8013004	HEXAGON BOLT M4 X 10
13	3	C8003029	MLF, SCREW, M5x10
12	1	111551	TRAY, DRIP, FAN, REAR, ELECTRIC & GAS INJ, 6.10/10.10
11	1	111522	TRAY, DRIP, FAN, FRONT, 6.20/20.20/10.10
10	2	111538	ADAPTER, 3/4-14 BSPP FEMALE X 3/4 GHT MALE, GH
9	1	C6005021	RUBBER BUSHING 42 MM OD
8	1	C70016603000	EDGE PROTECTOR, CUT 3.000"
6	4	C8003035	HEXAGON BOLT M5X10
5	5	C8006058	SCHNORR LOCK WASHER
4	1	C5011003	CONNECTION FLANGE
3	1	C2216088	AIR INLET BOX FINAL ASSEMBLY
2	1	C2114699	ASSEMBLY, TOP COVER, PUMP HOUSING, AUTO CLEAN SYSTEM
1	1	C2114520	OUTER BASE, EL, 6.10/10.10

**BASE, GAS,
INJECTOR,
NO CLEANING**
OGS 10.10 MODELS



ITEM	QTY	PART NO.	DESCRIPTION
1	1	C2114520	OUTER BASE, EL, 6.10/10.10
2	1	C2216088	AIR INLET BOX FINAL ASSEMBLY
3	1	C5011003	CONNECTION FLANGE
4	5	C8006058	SCHNORR LOCK WASHER
5	4	C8003035	HEXAGON BOLT M5X10
7	1	C70016603000	EDGE PROTECTOR, CUT 3.000
8	1	C6005021	RUBBER BUSHING 42 MM OD"
9	2	111538	ADAPTER, 3/4-14 BSPP FEMALE X 3/4 GHT MALE, GH
10	1	111522	TRAY, DRIP, FAN, FRONT, 6.20/20.20/10.10
11	1	111551	TRAY, DRIP, FAN, REAR, ELECTRIC & GAS INJ, 6.10/10.10
12	3	C8003029	MLF, SCREW, M5x10
13	7	C8013004	HEXAGON BOLT M4 X 10
14	5	C8005021	WASHER, 4.3, DIN 125
15	1	C5215897	CABLE HARNESS, ILLUMINATION
16	1	C2016147	CONDENSER HOSE ASSY, GAS
17	1	C5016001	FITTING, ELECTRICAL, LIQUID TIGHT
19	1	C2016131	ASSEMBLY, WATER VALVE, ELECTRIC INJECTOR, 6.20
20	1	C2114626	COVER, BOTTOM, PUMP HOUSING
21	1	C2010066	CONNECTION, GAS, SINGLE 3/4"
32	1	C700106607000	EDGE PROTECTOR, CUT 7.000"
33	1	C700106607000-1	EDGE PROTECTOR, CUT 7.000"
34	1	C5016002	LOCKNUT M25

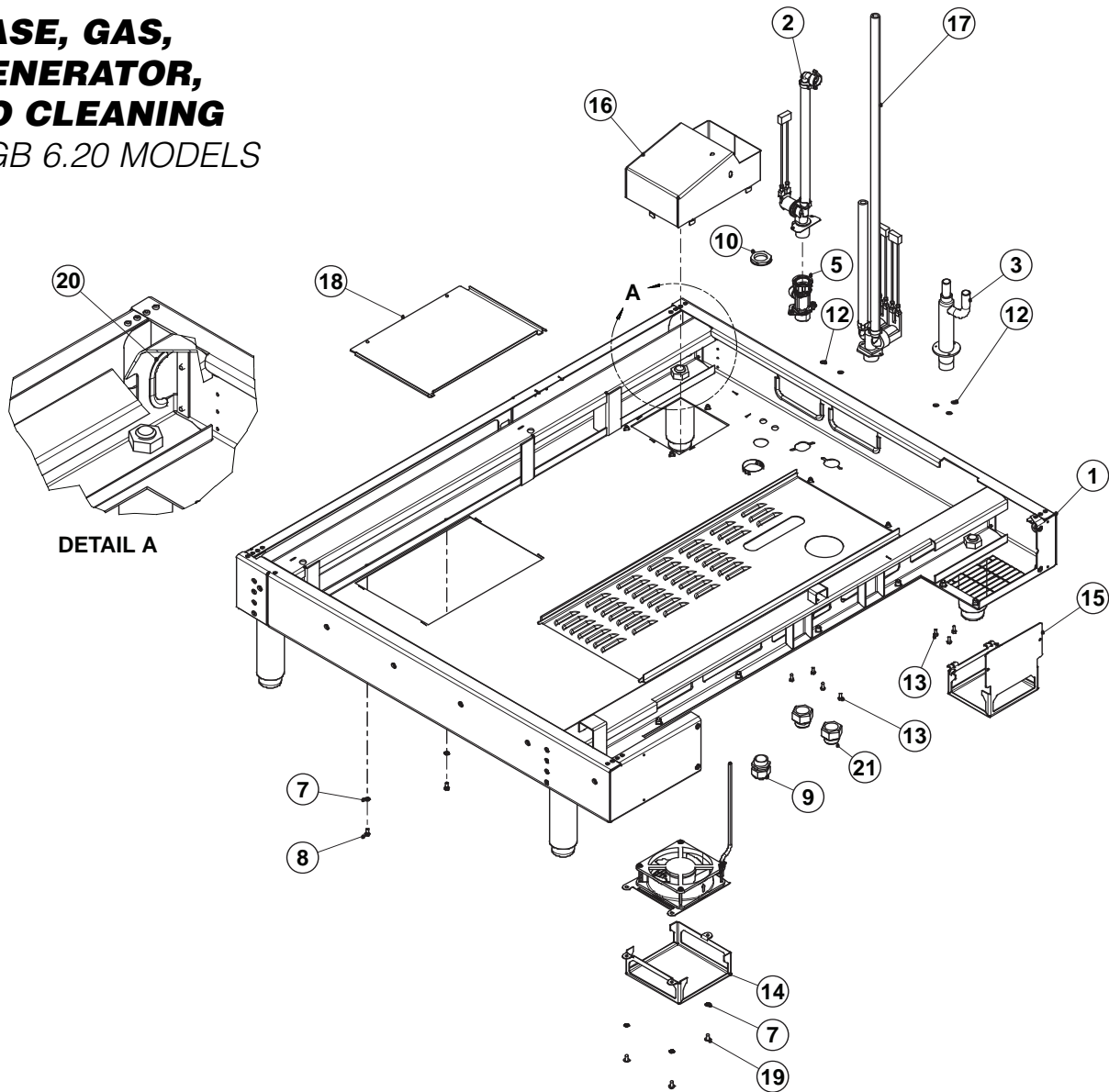
**BASE, GAS,
GENERATOR,
WITH CLEANING**
OGB 6.20 MODELS



Pressure Switch C5009055
Agent Pump 300352

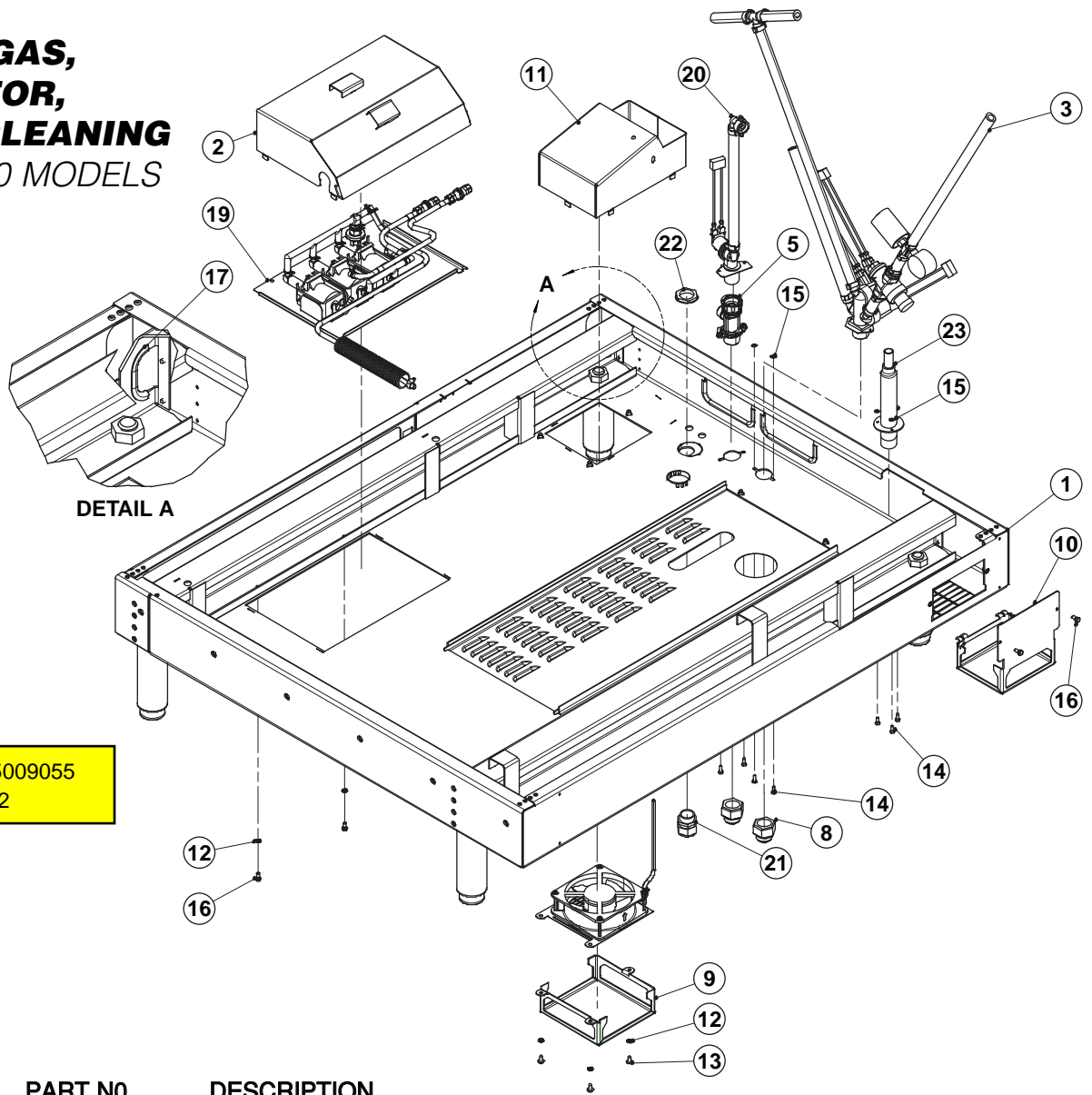
ITEM	QTY	PART NO.	DESCRIPTION
1	1	C2114542	ASSEMBLY, OUTER BASE, GAS, STEAM GEN, 6.20/10.20
2	1	C2114699	ASSEMBLY, TOP COVER, PUMP HOUSING, AUTO CLEAN SYSTEM
3	1	C2616451	BOTTOM FLAP, PUMP HOUSING, GAS, 6.20, 110V
4	1	C2016147	CONDENSER HOSE ASSY, GAS
5	1	C2010068	DOUBLE GAS CONNECTION R 3/4"
7	1	C2016129	ASSEMBLY, WATER VALVE, GAS, 6.20, GEN W / CLEANING SYSTEM
8	1	C5011003	CONNECTION FLANGE
10	5	C8006058	SCHNORR LOCK WASHER
11	2	C8003035	HEXAGON BOLT M5X10
12	1	C5016001	FITTING, ELECTRICAL, LIQUID TIGHT
13	1	C5016002	LOCKNUT, M25,
15	5	C8005021	WASHER, 4.3, DIN 125
16	7	C8013004	HEXAGON BOLT M4 X 10
17	1	111522	TRAY, DRIP, FAN, FRONT, 6.20/20.20/10.10
18	1	111524	TRAY, DRIP, FAN, REAR, 6.20/20.20
19	1	C2116092	BOX, AIR INTAKE
20	3	C8003029	MLF, SCREW, M5x10
21	1	C70016603000	EDGE PROTECTOR, CUT 3.000"
22	2	111538	ADAPTER, 3/4-14 BSPP FEMALE X 3/4 GHT MALE, GH
23	1	C5215897	CABLE, HARNESS, ILLUMINATION
27	1	111752	PLUG, 1.500 DIA, HOLE, SNAP-IN
28	1	C2216090	FAN, AIR INLET BOX ASSEMBLY
29	1	C700106607000	EDGE PROTECTOR, CUT 7.000"
30	1	C700106607000-1	EDGE PROTECTOR, CUT 7.000"

**BASE, GAS,
GENERATOR,
NO CLEANING**
OGB 6.20 MODELS



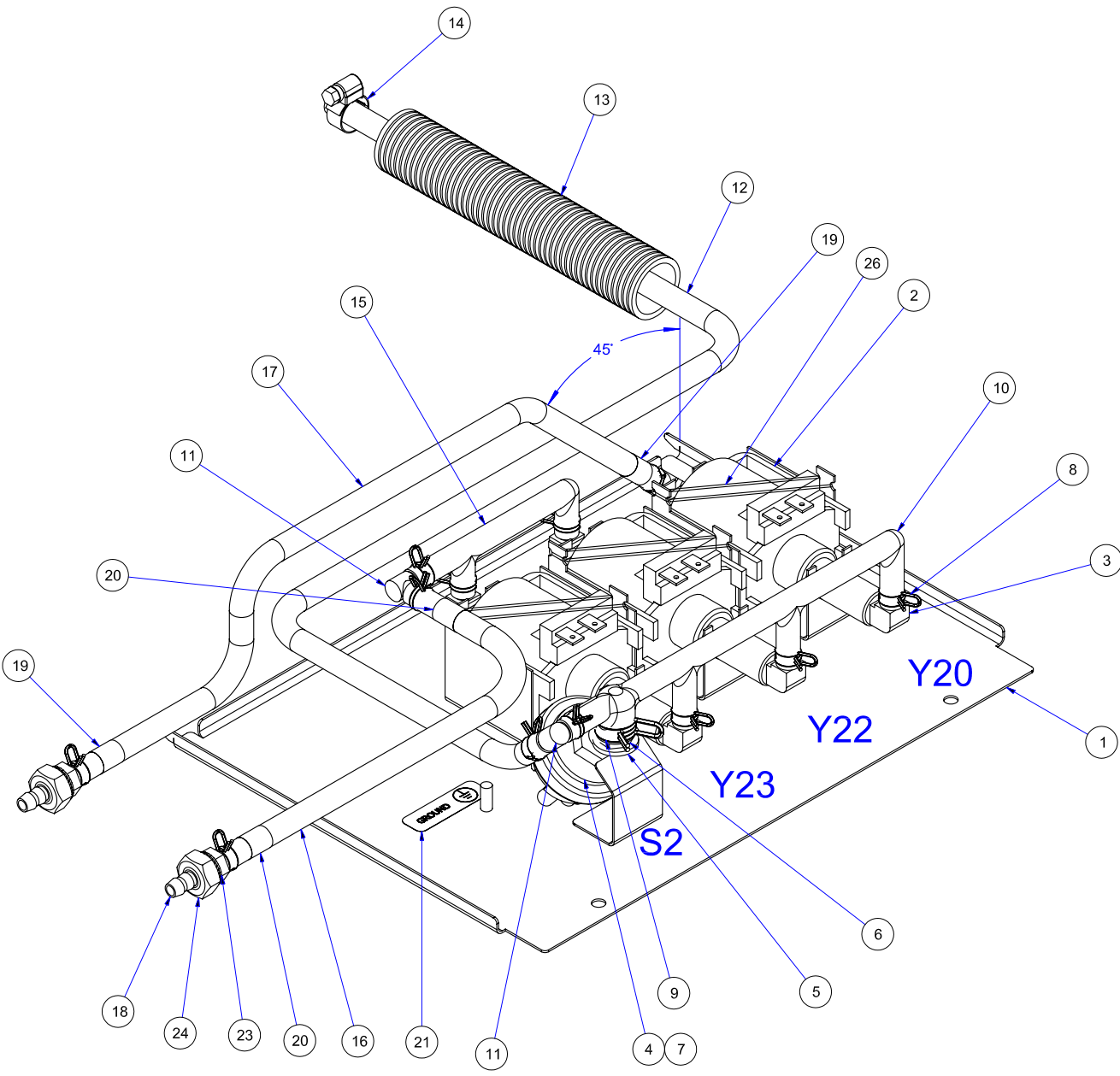
ITEM	QTY	PART NO.	DESCRIPTION
1	1	C2114542	ASSEMBLY, OUTER BASE, GAS, STEAM GEN, 6.20/10.20
2	1	C2016147	CONDENSER HOSE ASSY, GAS
3	1	C2010068	DOUBLE GAS CONNECTION R 3/4"
5	1	C5011003	CONNECTION FLANGE
7	5	C8006058	SCHNORR LOCK WASHER
8	2	C8003035	HEXAGON BOLT M5X10
9	1	C5016001	FITTING, ELECTRICAL, LIQUID TIGHT
10	1	C5016002	LOCKNUT, M25
12	5	C8005021	WASHER, 4.3, DIN 125
13	7	C8013004	HEXAGON BOLT M4 X 10
14	1	111522	TRAY, DRIP, FAN, FRONT, 6.20/20.20/10.10
15	1	111524	TRAY, DRIP, FAN, REAR, 6.20/20.20
16	1	C2116092	BOX, AIR INTAKE
17	1	C2016126	ASSY, WATER VALVE, GAS, 6.20
18	1	C2114626	COVER, BOTTOM, PUMP HOUSING
19	3	C8003029	MLF, SCREW, M5x10
20	1	C70016603000	EDGE PROTECTOR, CUT 3.000"
21	2	111538 A	DAPTER, 3/4-14 BSPP FEMALE X 3/4 GHT MALE, GH
23	1	C5215897	CABLE, HARNESS, ILLUMINATION
29	1	C2216090	FAN, AIR INLET BOX ASSEMBLY
30	1	111752	PLUG, 1.500 DIA, HOLE, SNAP-IN
31	1	C700106607000	EDGE PROTECTOR, CUT 7.000"
32	1	C700106607000-1	EDGE PROTECTOR, CUT 7.000"

**BASE, GAS,
INJECTOR,
WITH CLEANING**
OGS 6.20 MODELS



Pressure Switch C5009055
Agent Pump 300352

ITEM	QTY	PART NO.	DESCRIPTION
1	1	C2114522	ASSEMBLY, OUTER PLATE EL 6.20/10.20
2	1	C2114699	ASSEMBLY, TOP COVER, PUMP HOUSING, AUTO CLEAN SYSTEM
3	1	C2016127	ASSY, WATER VALVE, GAS, 6.20
5	1	C5011003	CONNECTION FLANGE
8	2	111538	ADAPTER, 3/4-14 BSPP FEMALE X 3/4 GHT MALE, GH
9	1	111522	TRAY, DRIP, FAN, FRONT, 6.20/20.20/10.10
10	1	111524	TRAY, DRIP, FAN, REAR, 6.20/20.20
11	1	C2116092	BOX, AIR INTAKE
12	5	C8006058	SCHNORR LOCK WASHER
13	3	C8003029	MLF, SCREW, M5x10
14	7	C8013004	HEXAGON BOLT M4 X 10
15	5	C8005021	WASHER, 4.3, DIN 125
16	4	C8003035	HEXAGON BOLT M5X10
17	1	C70016603000	EDGE PROTECTOR, CUT 3.000"
18	1	C5215897	CABLE HARNESS, ILLUMINATION
19	1	C2616451	BOTTOM FLAP, PUMP HOUSING, GAS, 6.20, 110V
20	1	C2016147	CONDENSER HOSE ASSY, GAS
21	1	C5016001	FITTING, ELECTRICAL, LIQUID TIGHT
22	1	C5016002	LOCKNUT, M25 (NOT SHOWN)
23	1	C2010066	CONNECTION, GAS, SINGLE 3/4"
30	1	C2216090	FAN, AIR INLET BOX ASSEMBLY
31	1	111752	PLUG, 1.500 DIA, HOLE, SNAP-IN
32	1	C700106607000-1	EDGE PROTECTOR, CUT 7.000"
33	1	C700106607000	EDGE PROTECTOR, CUT 7.000"



NOT SHOWN

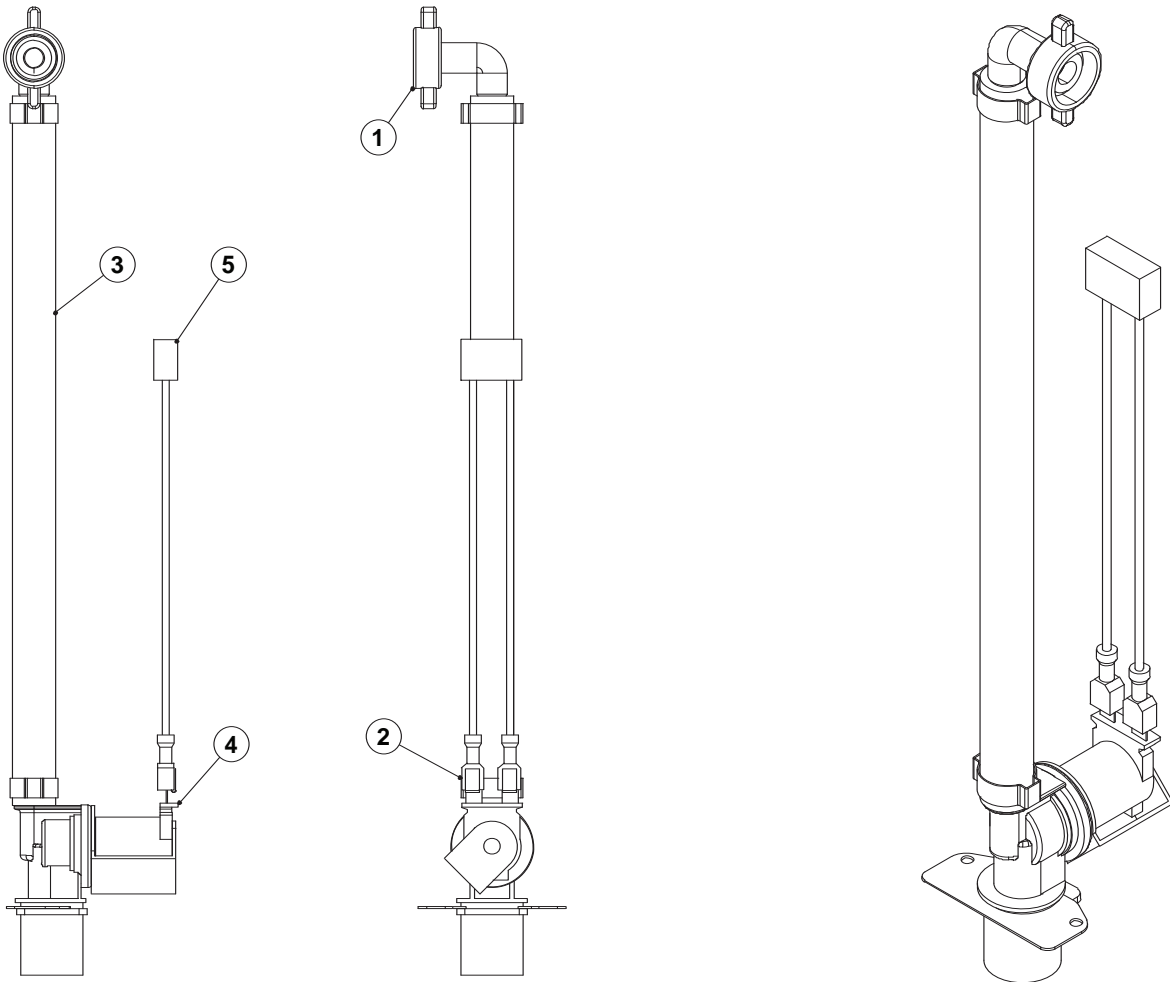
NOT SHOWN

26	3	078180-1	O-RING
25	1	14672	NUT, HEX, NYLOK, 10-32, ZP (FOR GROUND WIRE)
24	2	111540	NUT, HEX, M10 X 1.5 (DIN 934), STAINLESS STEEL
23	2	C8006063	WASHER, BELLEVILLE, M10, SERRATED BOTH SIDES, SST, 10.5mm ID X 16mm OD X 1mm THICK
22	1	C5215887	HARNES, WIRE, CLEANING, 6.20
21	1	14897	LABEL, GROUND
20	2	C6019109	LABEL, RED, CONVOCLEAN, CLEANER HOSE
19	2	C6019111	LABEL, BLUE, CONVOCARE, CLEANER HOSE
18	2	C6015247	FITTING, BULKHEAD, HOSE, 6mm ID
17	1	C701230245500	HOSE, EPDM, 6mm ID X 10mm OD, 45.500" LONG
16	1	C701230239500	HOSE, EPDM, 6mm ID X 10mm OD, 39.500" LONG
15	1	C6014001	MANIFOLD, SUCTION, CLEANING PUMPS, EPDM
14	1	106526	CLAMP, HOSE, WORM DRIVE, 3/8 TO 5/8x5/16W, SST
13	1	C700204433500	HOSE, PROTECTION, 28mm OD X 23mm ID, CUT 33-1/2" LONG
12	1	C701230258000	HOSE, EPDM, 6mm ID X 10mm OD, 58.000" LONG
11	2	C6005414	FITTING, HOSE, 90 DEGREE ELBOW, 6mm BARB X 6mm BARB, PLASTIC (POM)
10	1	C6014000	MANIFOLD, DISCHARGE, CLEANING PUMPS, EPDM
9	1	C8019010	CLAMP, HOSE, SPRING, DOUBLE WIRE, 14.1 - 14.8 mm (0.555 - 0.583 in)
8	12	C8009058	CLAMP, HOSE, SPRING, DOUBLE WIRE, 9.1 - 9.6 mm (0.358 - 0.378 in)
7	A/R	111568	THREAD SEALANT, (LOCTITE 577)
6	1	C6015229	BUSHING, THREADED, PRESSURE SWITCH P3
5	1	C6005016	GASKET, FLAT, 18.8mm OD X 10.3mm ID X 2mm THICK
4	1	C5009055	SWITCH, PRESSURE, AUTO CLEANING SYSTEM, P3
3	6	105787	FITTING, HOSE BARB, 90°, 1/4 H X 1/8 NPT(M)
2	3	300352	PUMP, OSCILLATING PISTON, 110-120VAC, 60Hz P3
1	1	C2114823	WELDMENT, PUMP HOUSING, 110V P3
ITEM	QTY	PART NO.	DESCRIPTION

ASSEMBLY, WATER HOSE SYSTEM, CONDENSER

ALL MODELS

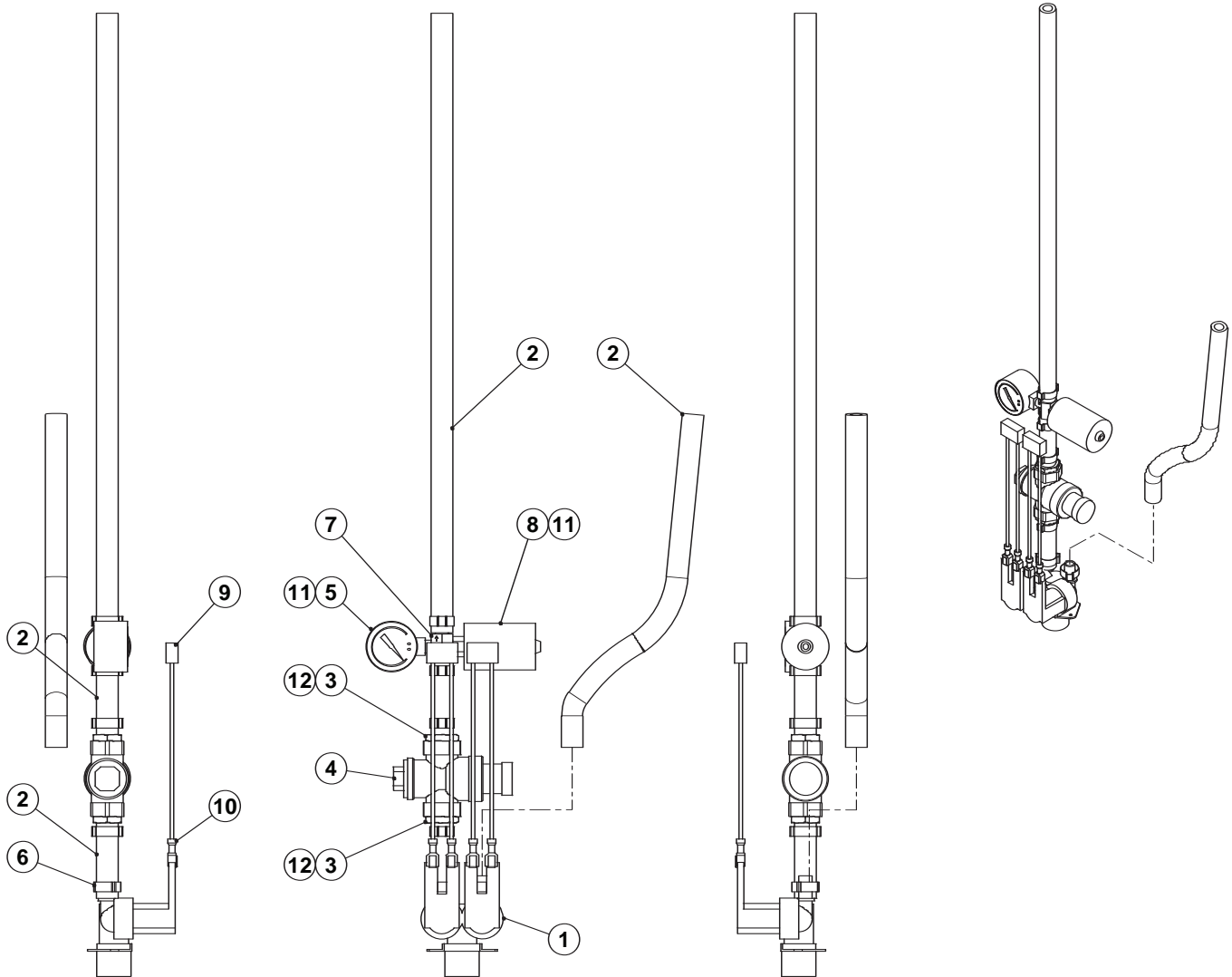
Connector Flange C5011003



ITEM	QTY	PART NO.	DESCRIPTION
1	1	C6015215	ELBOW, HOSE CONNECTION, 3/8" WITH SEAL
2	2	111647	CLAMP, OETIKER, S/S, 19/32"
3	1	11149811000	HOSE, SILICONE, 3/8" ID X 11.000
4	1	300455	VALVE ASSEMBLY, 1 WAY, 120 VAC
5	1	300407	FILTER, ELECTRICAL
6	2	300509	TERMINAL, 18-22 AWG PIGGY BACK

ASSEMBLY, WATER VALVE, INJECTOR, GAS

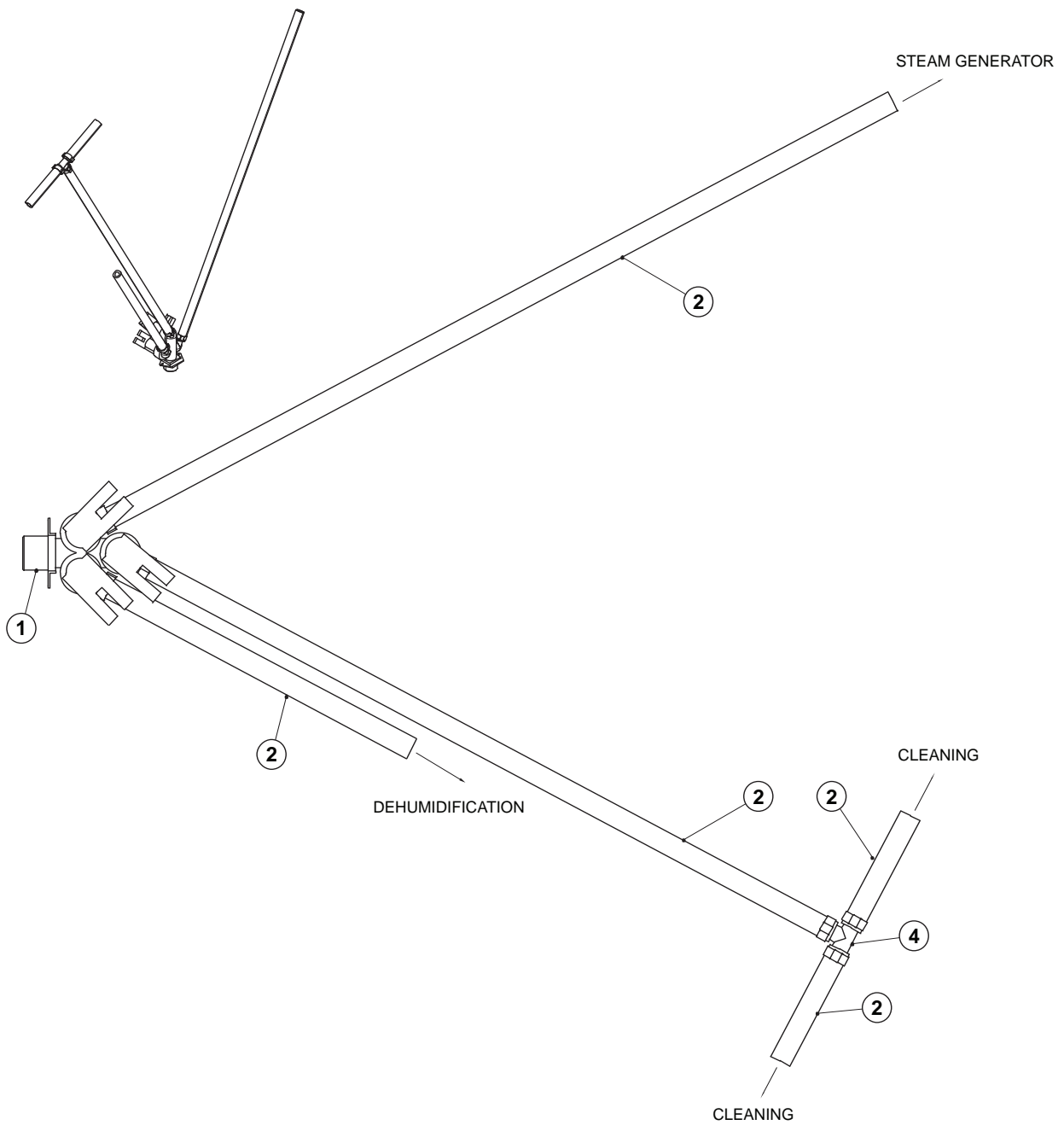
OGS 6.20 & 10.10 MODELS



ITEM	QTY	PART NO.	DESCRIPTION
1	1	300456	VALVE ASSY. 2 WAY 120VAC
2	4	111498	HOSE, SILICONE, 3/8" ID (SPECIFY LENGTH)
3	2	C6015401	BARB, 1/2 R X 3/8 HOSE
4	1	C5001085	PRESSURE REGULATING VALVE OD GAS
5	1	C6006140	GAUGE, 60 PSI BOTTOM MOUNT
6	6	111647	CLAMP, OETIKER, S/S, 19/32"
7	1	C6015232	CONNECTION NOZZLE 0.6MM 6.20/10.10/10.20
8	1	C5009063	PUSH BUTTON SWITCH, INJ, (CHANGE-OVER CONTACT)
9	2	300407	FILTER, ELECTRICAL
10	4	300509	TERMINAL, 18-22 AWG PIGGY BACK
11	A/R	00946	TAPE, TEFLON, 1/2"
12	A/R	111651	SEALANT, LOCTITE, WHITE, DRI-SEAL 513

ASSEMBLY, WATER SUPPLY, GENERATOR W/CLEANING SYSTEM

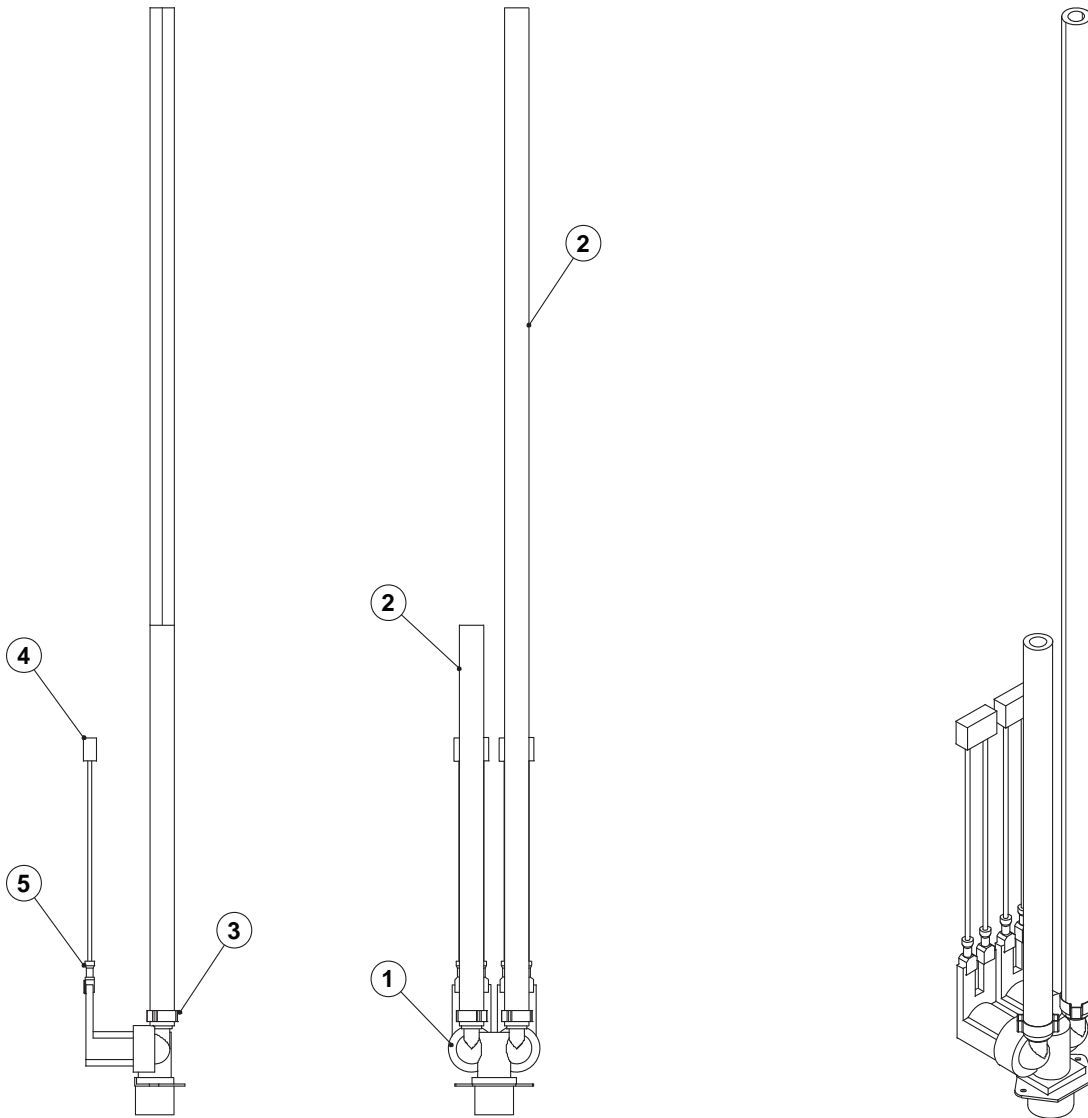
OEB & OGB 6.20 MODELS



ITEM	QTY	PART NO.	DESCRIPTION
1	1	300453	VALVE ASSEMBLY, 3WAY 240VAC
		300363	TRIPLE SOLENOID VALVE 110-120V 50/60 Hz 180°
2	5	111498	HOSE, SILICONE, 3/8" ID (SPECIFY LENGTH)
3	6	111647	CLAMP, OETIKER, S/S, 19/32"
4	1	111646	TEE, BRASS, 3/8" BRASS

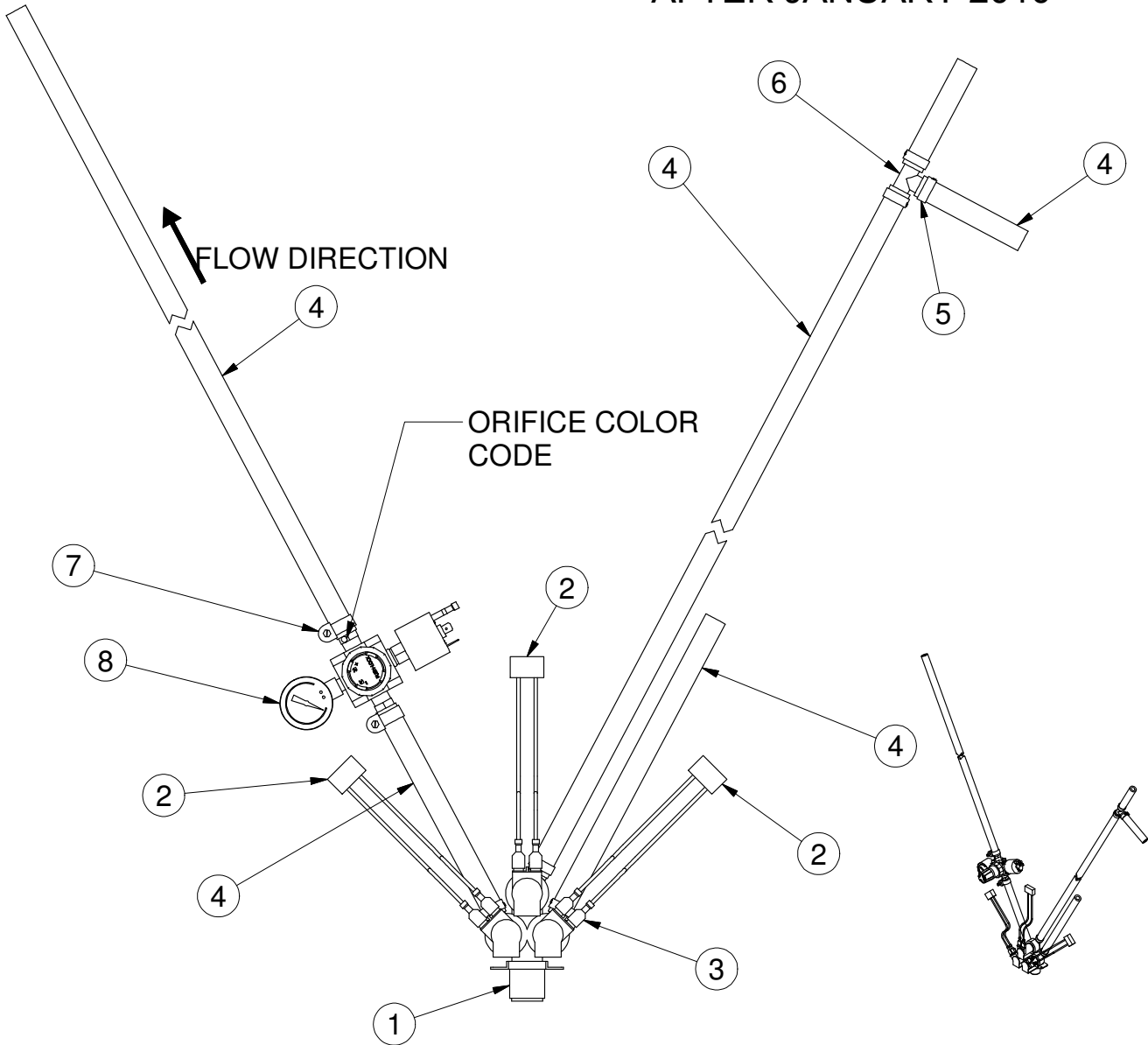
ASSEMBLY, WATER VALVE

ALL GAS 6.20 MODELS



ITEM	QTY	PART NO.	DESCRIPTION
1	1	300456	VALVE ASSY. 2 WAY 120VAC
2	2	111498	HOSE, SILICONE, 3/8" ID (SPECIFY LENGTH)
3	2	111647	CLAMP, OETIKER, S/S, 19/32"
4	2	300407	FILTER, ELECTRICAL
5	4	300509	TERMINAL, 18-22 AWG PIGGY BACK

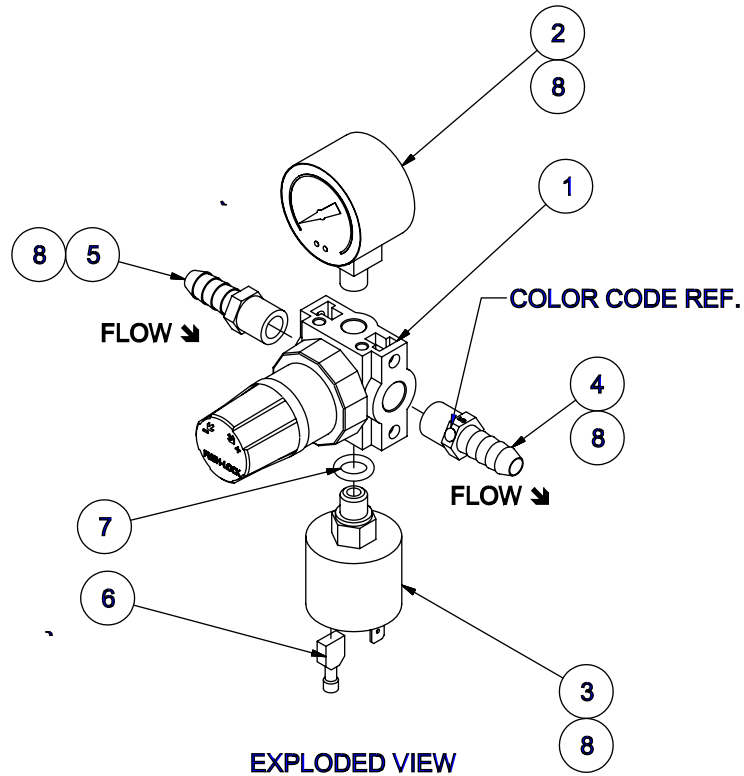
WATER VALVE ASSEMBLY OES & OGS MODELS AFTER JANUARY 2010



ITEM	QTY	PART NO.	DESCRIPTION
1	1	300453 300363	VALVE, SOLENOID, 3 WAY, 240VAC VALVE, SOLENOID, 3 WAY, 120VAC
2	3	300407	FILTER, ELECTRICAL, RC NETWORK, 125 VAC, 200 VDC
3	6	300509	TERMINAL, SLIPON, INSUL., 18-22 AWG, PIGGYBACK
4	7	111498	HOSE, SILICONE, 0.375" ID X 0.655" OD
5	6	C6016070	CLAMP, HOSE, 0.630" - 0.756", SST, OETIKER
6	1	111646	TEE, HOSE BARB, BRASS, 3/8"H X 3/8"H X 3/8"H
7	2	C6006086	HOSE CLAMP, 1/2" 12-20 MM, 15 MM ADJUSTED
8	1	SEE DRAWING	REGULATOR ASSEMBLY, W / ORIFICE, COMBI

REGULATOR ASSEMBLY

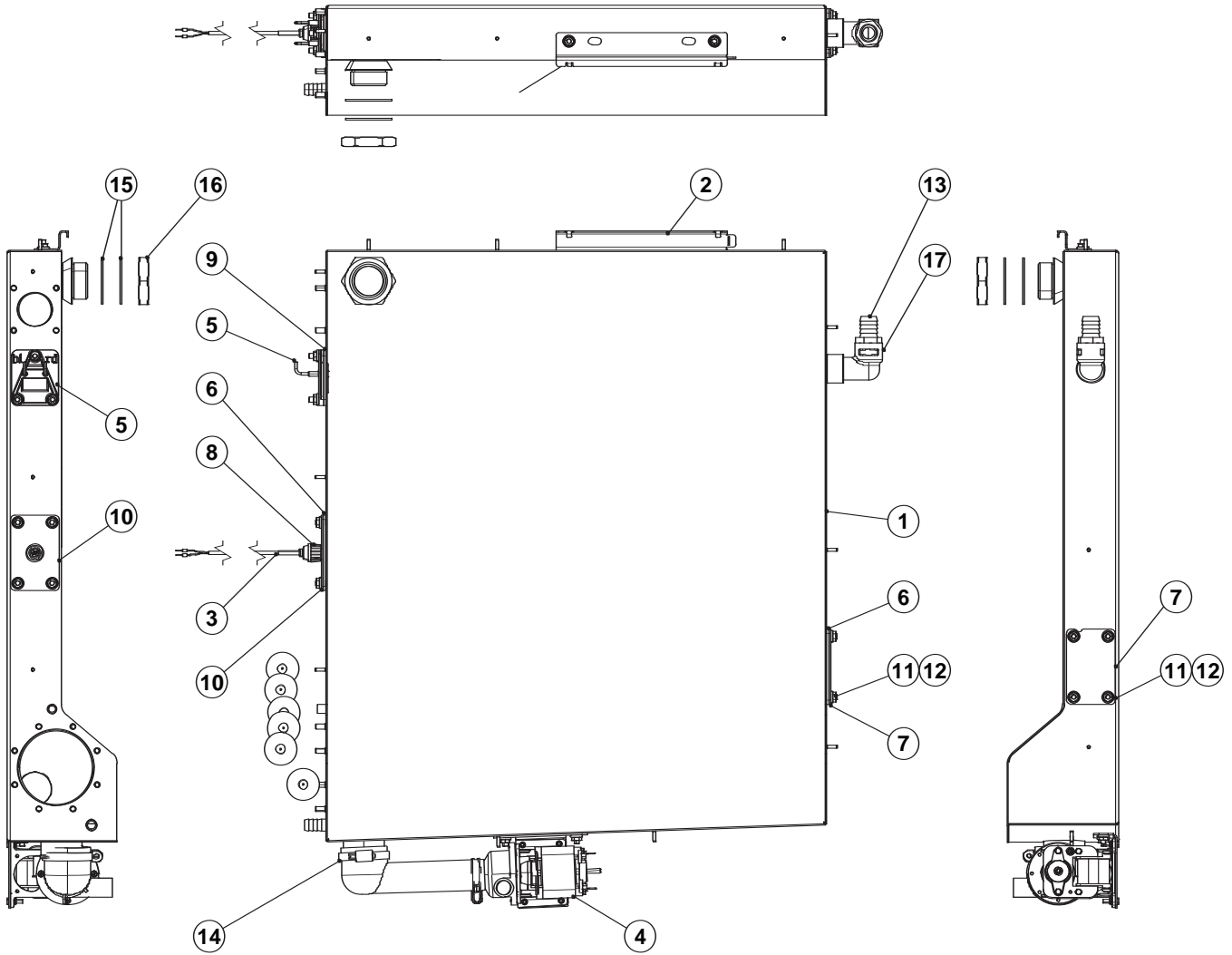
ASSEMBLY PART NO.	ORIFICE FTG. PN.	ORIFICE SIZE	COLOR CODE	
FK1132281	1132301	0.5mm	RED	3.10
FK1132282	1132302	0.6mm	BLUE	6.20/10.10/10.20
FK1132283	1132303	0.7mm	YELLOW	12.20
FK1132284	1132304	1.0mm	GREEN	20.20



8	A/R	111651	SEALANT, LOCTITE, WHITE, HIGH TEMP, DRI-SEAL 513
7	1	113236	O-RING, 3/8"ID X 9/16"OD X 3/32"THK, BUNA-N
6	1	20356	SLIP-ON FULL INSULATED, FEMALE, 0.032 X 0,250
5	1	105277	FTG, HOSE BARB, 3/8 H X 1/4 NPT, BR
4	1	SEE CHART	FTG, HOSE BARB, 3/8H X 1/4NPT, BR; W/ORIFICE
3	1	C5009063	SWITCH, PRESSURE, INJECTOR SYSTEM
2	1	C6006140	GAUGE, PRESSURE, 0 -60 PSI (4 BAR) 1/8" BPP BOTTOM CONNECTION
1	1	113229	REGULATOR, 0-60PSIG, 1/4"NPT
ITEM	QTY	PART NO.	DESCRIPTION

ASSEMBLY, STEAM GENERATOR, GAS

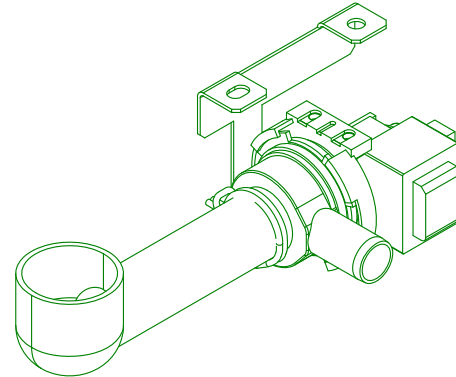
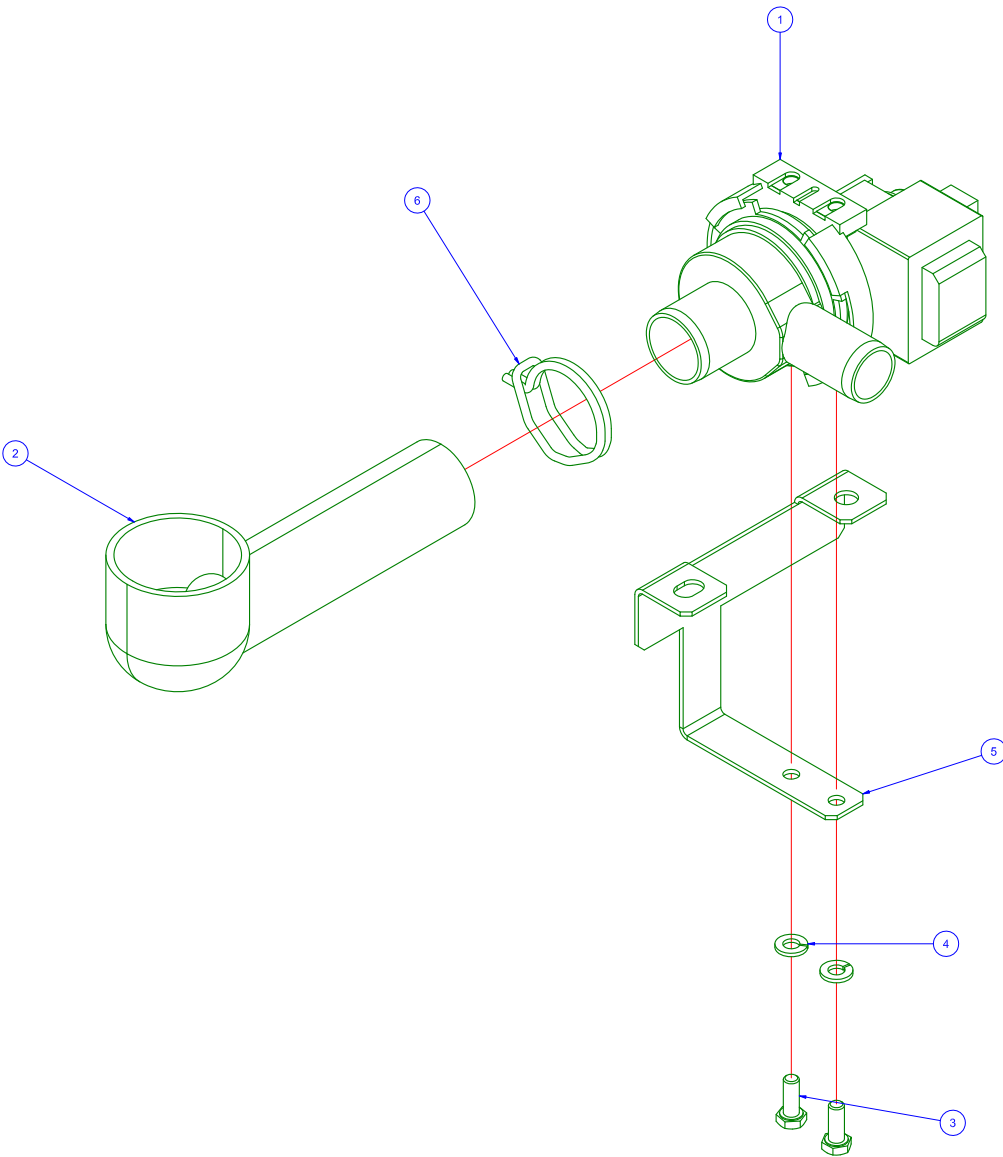
OGB 6.20 MODELS



ITEM	QTY	PART NO.	DESCRIPTION
1	1	C2314891	WELDMNT, GEN GAS 6.20 (NOT SHOWN)
2	1	C2314243	SUPPORT, STEAM GEN, TABLE TOP UNIT
3	1	C5016006	THERMOCOUPLE, SENSOR, OSC/OSP, 64.960" (1650MM)
4	1	C2314991	PUMP, 110V, GAS STEAM GENERATOR
5	1	C5019003	ASSEMBLY, DOUBLE LEVEL PROBE
6	2	C6015023	FLAT GASKET FOR IMMERSION HEATER
7	1	C2314968	INSPECTION FLANGE, STEAM GENERATOR
8	1	C6005260	SEAL, THERMOCOUPLE SENSOR, OSC/OSP
9	1	C6015040	FLAT GASKET FOR DOUBLE-LEVEL PROBE
10	1	C2314974	FLANGE, INSPECTION, STEAM GENERATOR
11	15	C8017011	NUT, FLANGE, HEX
12	A/R	C7014000	COPPER PASTE
13	1	06240	FTG, HOSE BARB, 3/4 X 3/4 MPT
14	1	C6006089	HOSE CLAMP, 40-60 MM
15	2	C6005025	FLAT GASKET, 1.673 x 2.126 x 0.079 in.
16	1	C6006092	HEXAGON NUT R 1 1/4"
17	1	05231	ELBOW, STREET 90 X 3/4 NPT, BRASS
18	11	101953	CLIP, INSULATION RETAINER, 1-1/2, .105 HOLE, GALV.

If pump is not white order S113231
 If pump is white see next page.

Complete assembly S113231

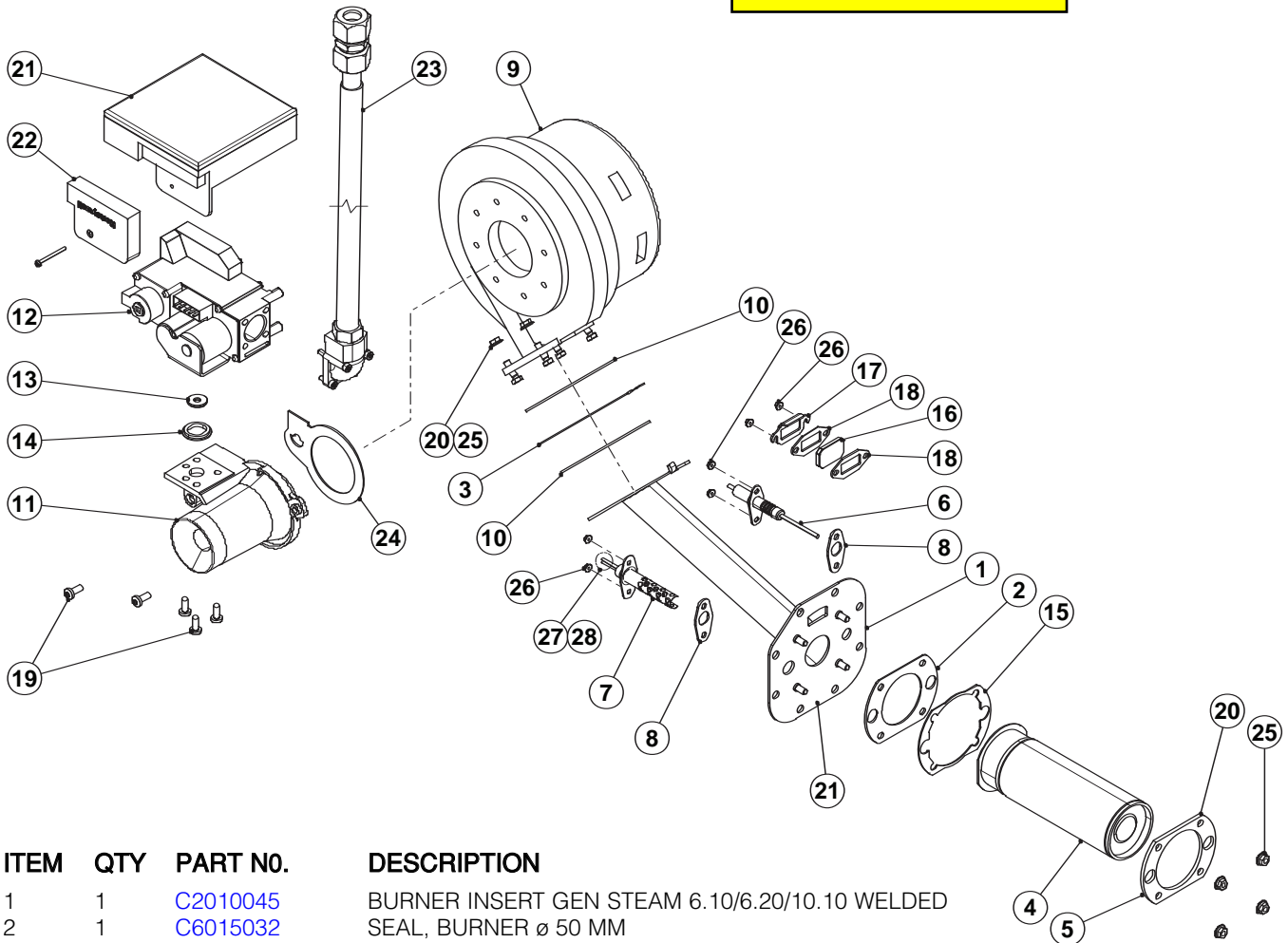


1	300753	Drain Pump 120 v
2	C6015101	Drain Elbow
3	C8003043	Hex Bolt M6x16
4	23105	Lock Washer
5	113269	Pump Bracket
6	107481	Hose Clamp

ASSEMBLY, BURNER INSERT, STEAM GENERATOR, NAT GAS

OGB 6.20 & 10.10 MODELS

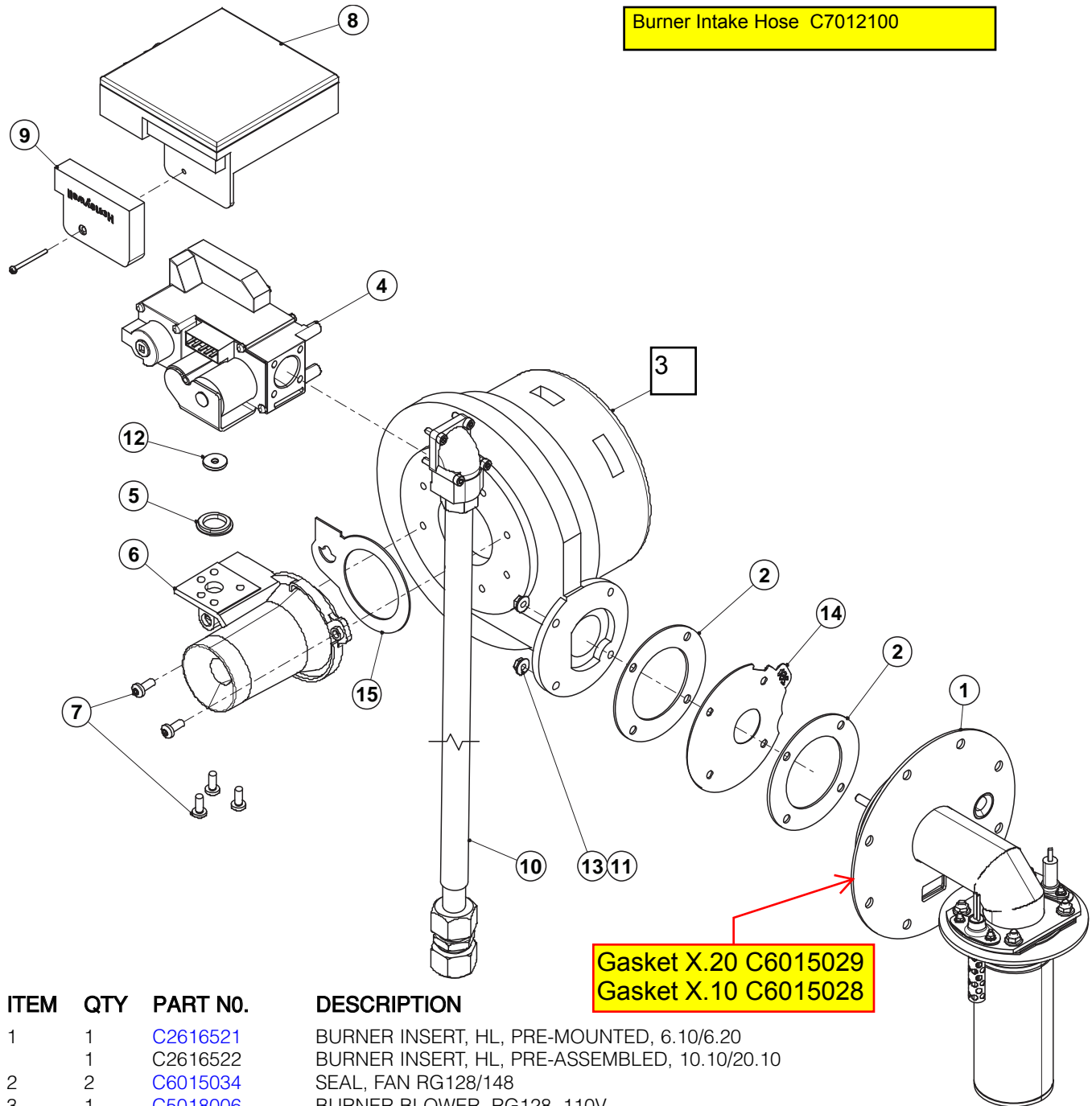
Burner Intake Hose C7012100



ITEM	QTY	PART NO.	DESCRIPTION
1	1	C2010045	BURNER INSERT GEN STEAM 6.10/6.20/10.10 WELDED
2	1	C6015032	SEAL, BURNER \varnothing 50 MM
3	1	C2615351	RESTRICTION FLANGE \varnothing 210 RG128
4	1	C2010014	BURNER, \varnothing 50 x150, 20 KW
5	1	C2614907	CLAMPING FLANGE, STEAM GENERATOR, BURNER, \varnothing 50
6	1	C4018000	MONITORING ELECTRODE
7	1	C4018002	AUTO-IGNITION ELECTRODE
8	2	C6015037	SEAL, ELECTRODE
9	1	C5018006	BURNER BLOWER, RG128, 110V
10	2	C6015034	SEAL, FAN RG128/148
11	1	C6016000	VENTURI 40 KW
12	1	C6016009	GAS VALVE, HONEYWELL, 110V
13	1	C6017009	ORIFICE, \varnothing 05.65 NAT GAS
14	1	C6016030	SEALING RING, GAS SCREEN
15	1	C2615367	FLANGE, BURNER
16	1	C5015004	INSPECTION GLASS, BURNER
17	1	C2614845	COVER, INSPECTION GLASS, BURNER
18	2	C6015039	SEAL, INSPECTION GLASS, BURNER
19	5	C8012001	SCREW, M5x12, FILLISTER HD, TORX
20	A/R	C7014000	COPPER PASTE
21	1	C6016023	AUTOMATIC FIRING DEVICE, 110V, AUTO-IGNITION
22	1	C6016025	COVER, AUTOMATIC FIRING DEVICE
23	1	C2616516	GAS HOSE, 580 LG, PREASSEMBLED
24	1	111595	GASKET, CORK, BURNER VENTURI, COMBI
25	8	C8017010	FLANGE NUT
26	6	C8017008	NUT, LOCKING, SERRATED
27	1	300484	TERM, PUSHON, .110, 22-16AWG SEMI INSUL.
28	1	20351	TERM, SLIPON FULL INSUL .032X.25 TAB 22-18AWG

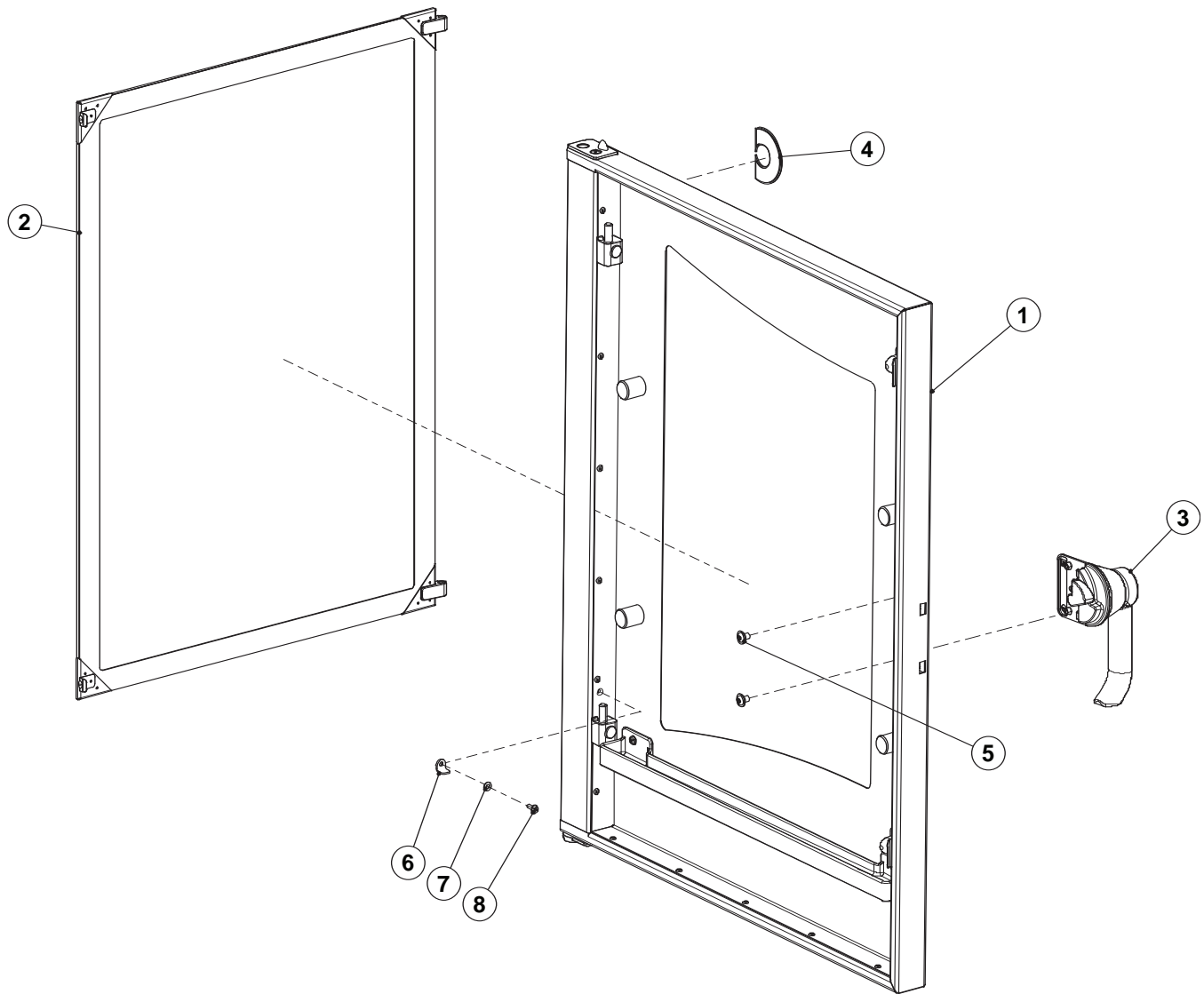
ASSEMBLY, BURNER INSERT, AIR, LP & NAT GAS

ALL GAS MODELS



ITEM	QTY	PART NO.	DESCRIPTION
1	1	C2616521	BURNER INSERT, HL, PRE-MOUNTED, 6.10/6.20
	1	C2616522	BURNER INSERT, HL, PRE-ASSEMBLED, 10.10/20.10
2	2	C6015034	SEAL, FAN RG128/148
3	1	C5018006	BURNER BLOWER, RG128, 110V
4	1	C6016009	GAS VALVE, HONEYWELL, 110V
5	1	C6016030	SEALING RING, GAS SCREEN
6	1	C6016000	VENTURI 40 KW
7	5	C8012001	SCREW, M5x12, FILLISTER HD, TORX
8	1	C6016023	AUTOMATIC FIRING DEVICE, 110V, AUTO-IGNITION
9	1	C6016025	COVER, AUTOMATIC FIRING DEVICE
10	1	C2616516	GAS HOSE, 580mm LG, PREASSEMBLED, 6.20
	1	C2616517	GAS HOSE, 780mm LG, PREASSEMBLED, 10.10/20.10
11	A/R	C7014000	COPPER PASTE
12	1	112555	ORIFICE \varnothing 400, LP GAS
	1	C6017009	ORIFICE, \varnothing 0565 NAT GAS
13	4	C8017010	FLANGE NUT
14	1	C2615355	FLANGE, RESTRICTION \varnothing 250
15	1	111595	GASKET, CORK, BURNER VENTURI, COMBI

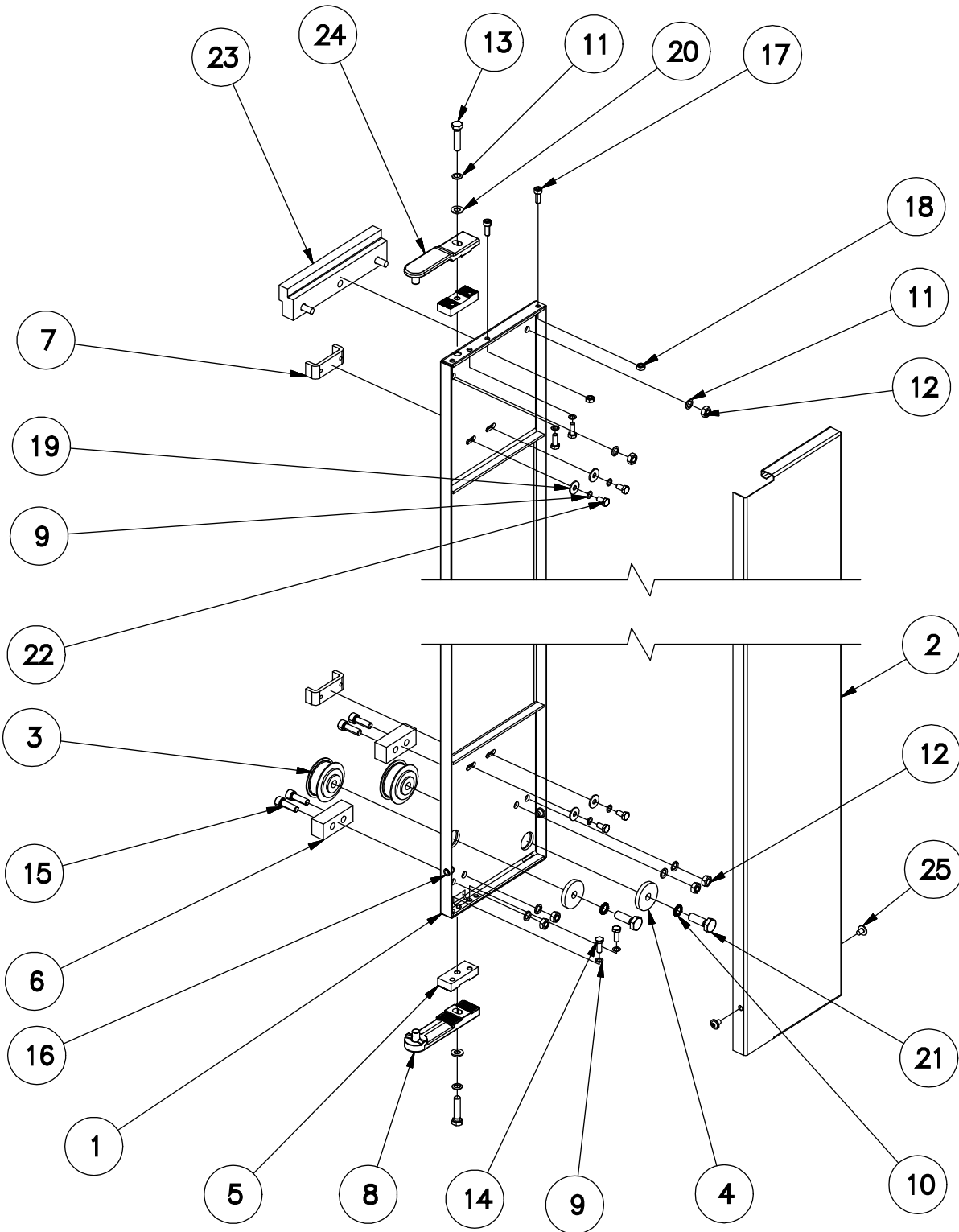
DOOR 6.20 COMPLETE
OES 6.20 & 10.10 MODELS



Spring clip C6015248

ITEM	QTY	PART NO.	DESCRIPTION
1	1	C2514358	ASSEMBLY, OUTER DOOR, 6.20
	1	C2514359	ASSEMBLY, OUTER DOOR, 10.10
2	1	C2514389	ASSEMBLY, INNER DOOR, 6.20
	1	C2514390	ASSEMBLY, INNER DOOR, 10.10
3	1	C6012000	DOOR HANDLE, LOCKING
4	1	C6009016	PLASTIC LETTER "C" RED
5	2	C8015000	MLF SCREW M6X8
6	1	C2514430	UNHINGING SAFEGUARD, DOOR
7	1	C8001024	SCREW, FILISTER HD, M4x10 DIN 7985
8	1	C8005021	WASHER, 4.3, DIN 125
9	A/R	C7004012	LOCTITE 243 (NOT SHOWN)
10	A/R	C7003087	GREASE FRONT DOORS OD

SLIDING PLATE ASSEMBLY



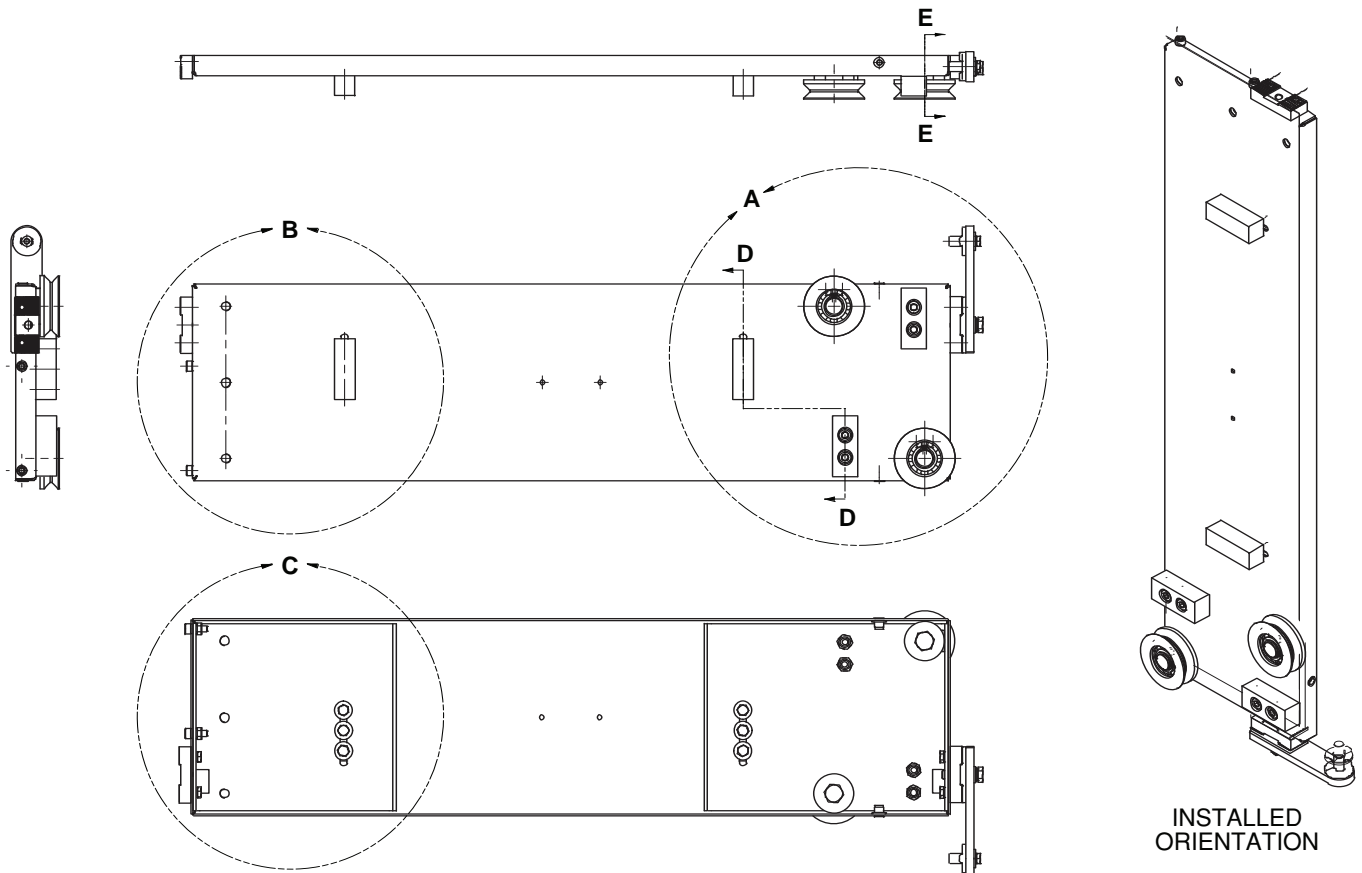
SLIDING PLATE ASSEMBLY

ITEM	QTY	PART NO.	DESCRIPTION
1	1	113069	SLIDING PLATE WELDMENT, 6.10
		113070	SLIDING PLATE WELDMENT, 10.10/10.20
		113071	SLIDING PLATE WELDMENT, 6.20
		113072	SLIDING PLATE WELDMENT, 12.20
		113073	SLIDING PLATE WELDMENT, 20.10/20.20
2	1	C2114815	COVER PANEL, 6.10
		C2114816	COVER PANEL, 6.20
		C2114817	COVER PANEL, 10.10/10.20
		C2114818	COVER PANEL, 12.20
		C2114819	COVER PANEL, 20.10/20.20
3	2	C6012017	ROLLER, ASSEMBLY, DOOR GUIDE
4	2	C6012005	DISC Ø39 x 6 RST P3
5	2	C2014008	LOCKING BLOCK, CARRIAGE PLATE, P3
6	2	C6015226	LOCKING BLOCK RST
7	2	C6012006	DOOR STOP, RST P3
8	1	C2013012	HINGE, DOOR, BOTTOM, CAST
9	8	C8006057	SCHNORR LOCK WASHER S6 A2 P3
10	2	C8006063	WASHER, BELLEVILLE, M10, SERRATED BOTH SIDES, SST
11	8	C8006060	SCHNORR LOCK WASHER, S8, A2, P3
12	6	C8004057	NUT, HEX, M8 A4
13	2	C8003058	HEXAGON BOLT, M8 X 35, A2 P2/P3
14	4	C8003043	HEXAGON BOLT M6x16 A2 P2/P3
15	4	C8013002	FILLISTER HEAD SCREW DIN 912 - M8X25 A2
16	2	C8008095	BLIND RIVET NUT M6 ROUND A2 P3
17	2	C8001073	HEXAGON SOCKET SCREW M6x16 A2 P2/P3
18	2	C8004040	HEXAGON NUT M6 A4 P2/P3
19	4	C8005041	WASHER 6.4 A2 DIN 9021 P2 P3
20	2	C8005050	WASHER, 8.4 A2 DIN 125 P3
21	2	C8003066	BOLT, HEX HD, M10x30, A2
22	4	C8013011	HEXAGON BOLT M6x12 A2 P2/P3
23	1	C6012008	SUPPORT STRIP VST P3
24	1	C2013013	HINGE, DOOR, TOP, CAST
25	2	C8015000	MLF SCREW M6X8 A2 P3

SLIDING PLATE, COMPLETE

ALL 6.20 & 10.10 MODELS

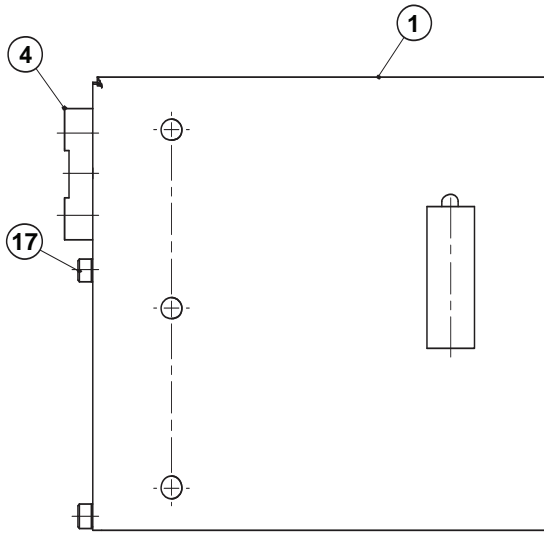
Upper Hinge C2013006



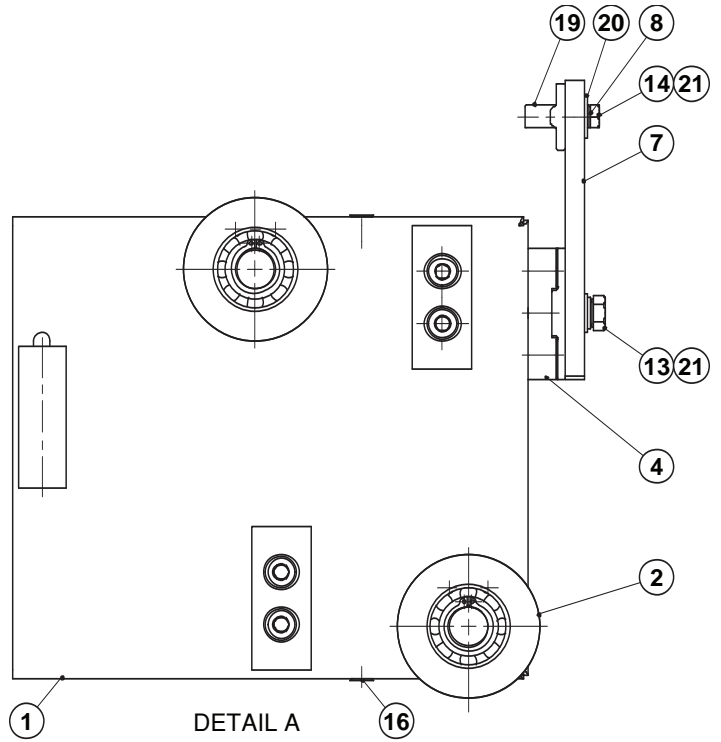
ITEM	QTY	PART NO.	DESCRIPTION
1	1	C2614806	CARRIAGE PLATE, WELDED, 6.20
		C2614807	CARRIAGE PLATE, WELDED, 10.10 & 10.20
		C2614809	CARRIAGE PLATE, WELDED, 20.10 & 20.20
2	2	C6012002	ASSEMBLED, GUIDE ROLLER RST CPL
3	2	C6012005	DISC \varnothing 39 x 6 RST
4	2	C2014008	LOCKING BLOCK, CARRIAGE PLATE
5	2	C6015226	LOCKING BLOCK RST
6	2	C6012006	DOOR STOP, RST
7	1	C2013004	HINGE, LOWER, WELDMENT, DOOR
8	11	C8006057	SCHNORR LOCK WASHER
9	2	C8006063	SCHNORR-LOCK WASHER
10	5	C8006060	SCHNORR LOCK WASHER
11	4	C8004057	NUT, HEX
12	1	C8005050	WASHER, 8.4 A2 DIN 125
13	1	C8003058	HEXAGON BOLT, M8 X 35
14	11	C8003043	HEXAGON BOLT M6x16
15	4	C8013002	FILLISTER HEAD SCREW DIN 912 - M8X25
16	2	C8008095	BLIND RIVET NUT M6 ROUND
17	2	C8001073	HEXAGON SOCKET SCREW M6x16
18	2	C8004040	HEXAGON NUT
19	1	C2014004	LOCKING PLATE, CARRIAGE, LOWER PART
20	7	C8005041	WASHER 6.4 A2 DIN 9021
21	A/R	C7004014	LOCTITE 638
22	2	C8003066	BOLT, HEX HD, M10x30, 6.20, 10.10 & 10.20
		C8013000	BOLT, HEX HD, M10x25, 20.10 & 20.20

SLIDING PLATE, COMPLETE

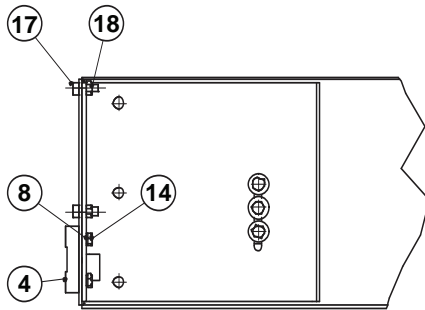
ALL 6.20 & 10.10 MODELS



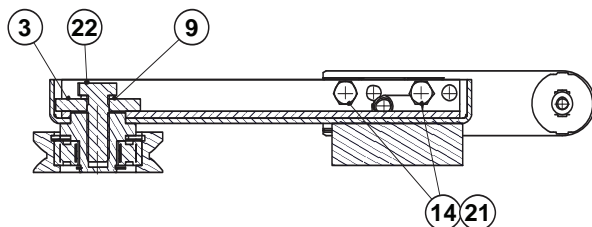
DETAIL B



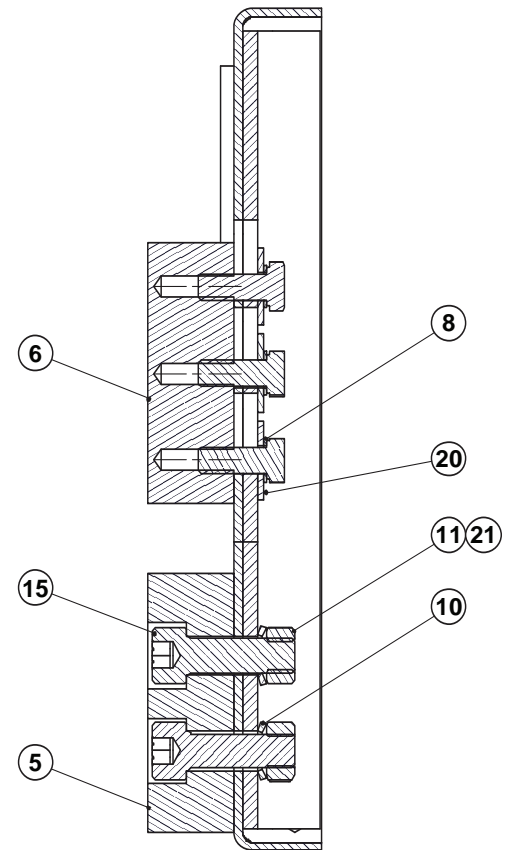
DETAIL A



DETAIL C



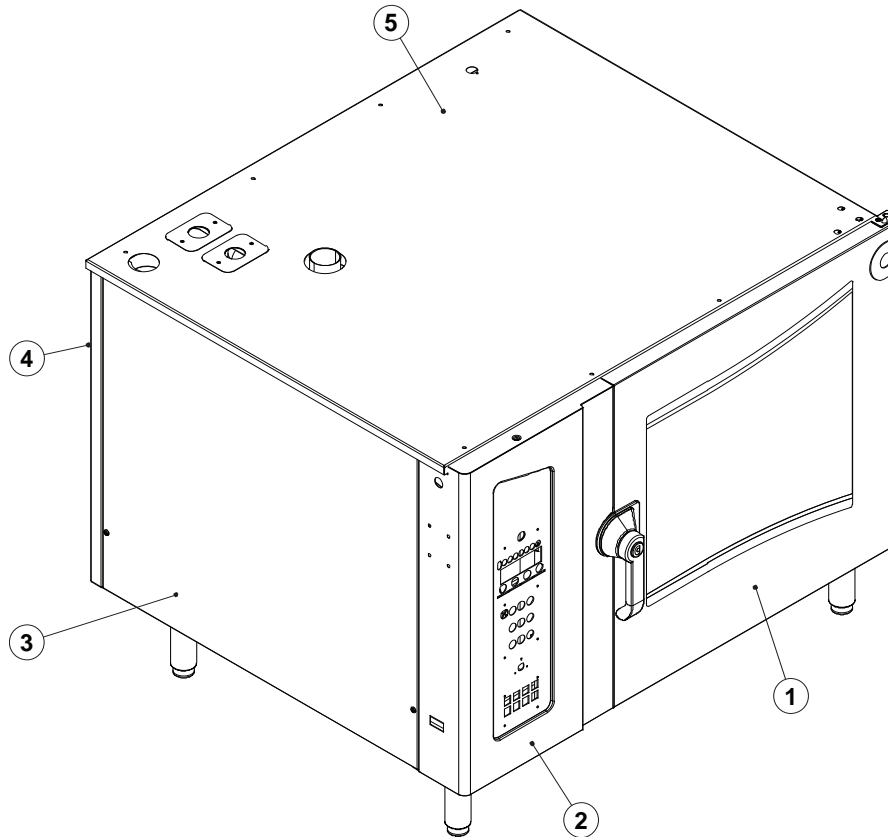
SECTION E-E



SECTION D-D

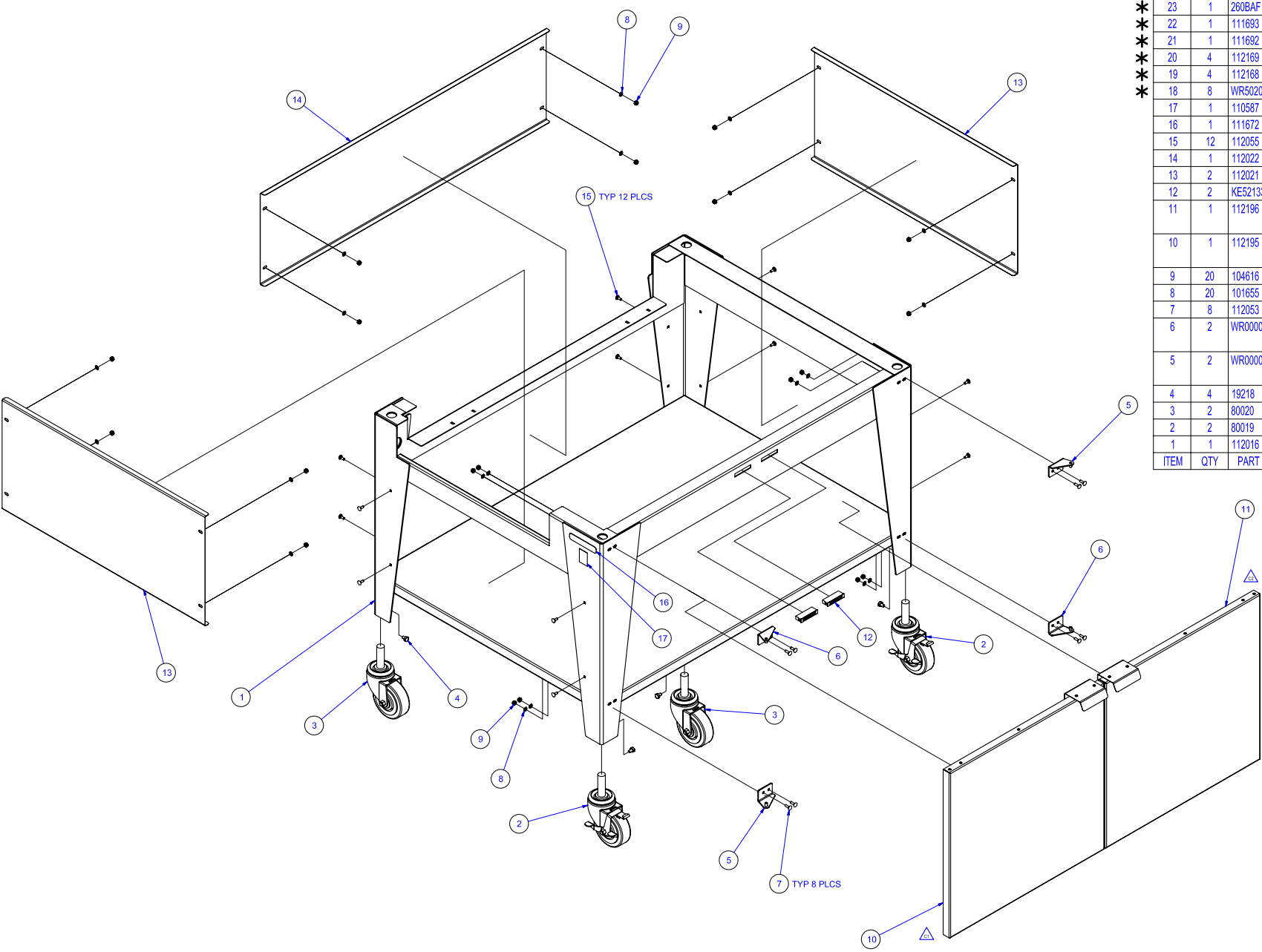
EXTERIOR SHEETING

ALL 6.20 & 10.10 MODELS

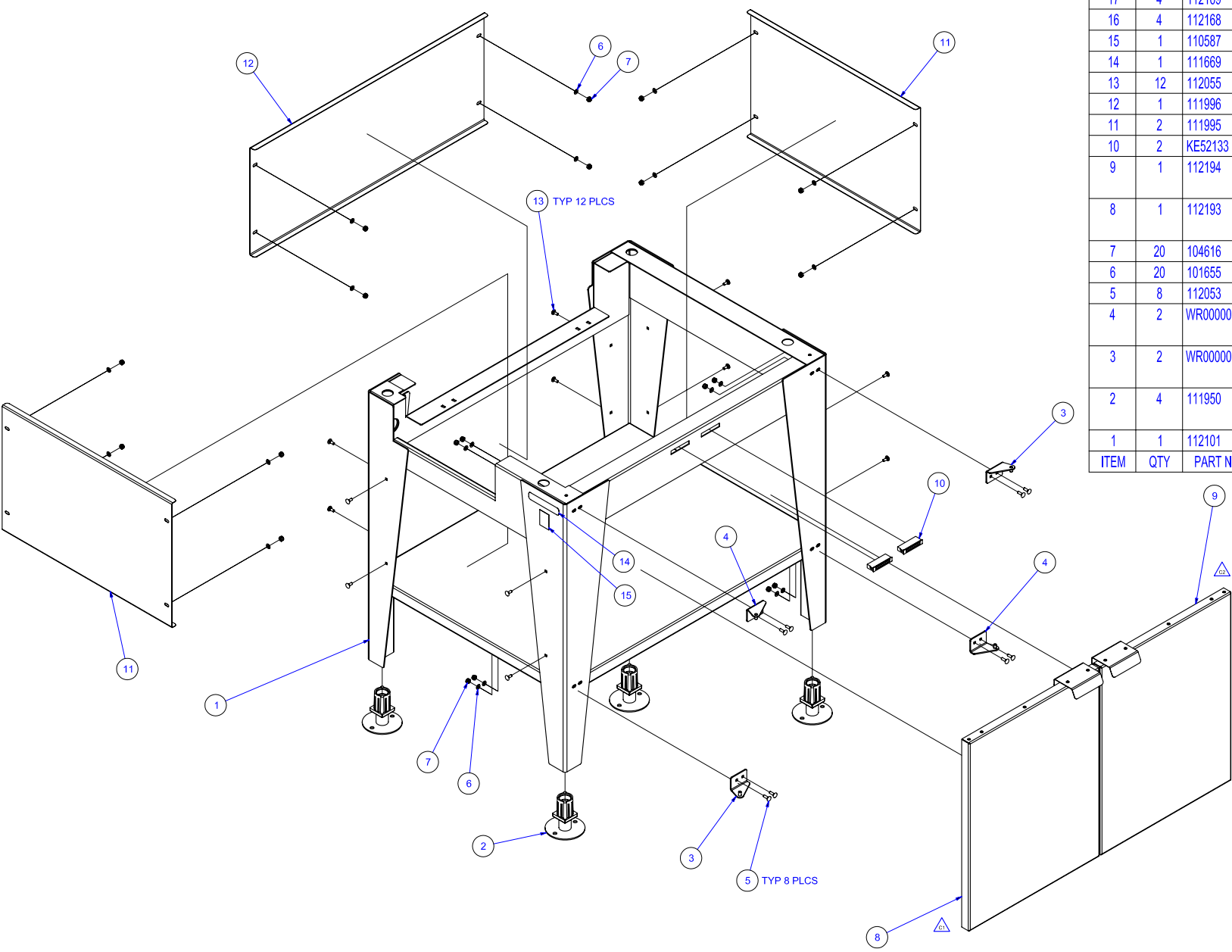


ITEM	QTY	PART NO.	DESCRIPTION
1	1	C2514351	DOOR, 6.20, COMPLETE
-	1	C2514352	DOOR, 10.10, COMPLETE
2	1	C2114652	WELDMENT, CORNER, FRONT LEFT, 6.20
-	1	C2114653	WELDMENT, CORNER, FRONT LEFT, 10.10
3	1	C2114782	PANEL ASSY, LEFT, OGB 6.20, OGS 6.20, OEB 6.20, OES 6.20
-	1	C2114783	PANEL ASSY, LEFT, OGB 10.10, OGS 10.10, OEB 10.10, OES 10.10
4	1	C2114762	PANEL ASSY, REAR, OGB 6.20
-	1	C2114742	PANEL ASSY, REAR, OGS 6.20, OEB 6.20, OES 6.20
-	1	C2114763	PANEL ASSY, REAR, OGB 10.10
-	1	C2114743	PANEL ASSY, REAR, OGS 10.10, OEB 10.10, OES 10.10
5	1	C2115462	PANEL, TOP, OGB 6.20
-	1	C2115452	PANEL, TOP, OGS 6.20
-	1	C2114702	PANEL, TOP, OEB 6.20
-	1	111628	PANEL, TOP, OES 6.20
-	1	C2115463	PANEL, TOP, OGB 10.10
-	1	C2115453	PANEL, TOP, OGS 10.10
-	1	C2114700	PANEL, TOP, OEB 10.10
-	1	111638	PANEL, TOP, OES 10.10

WR50204 Shims

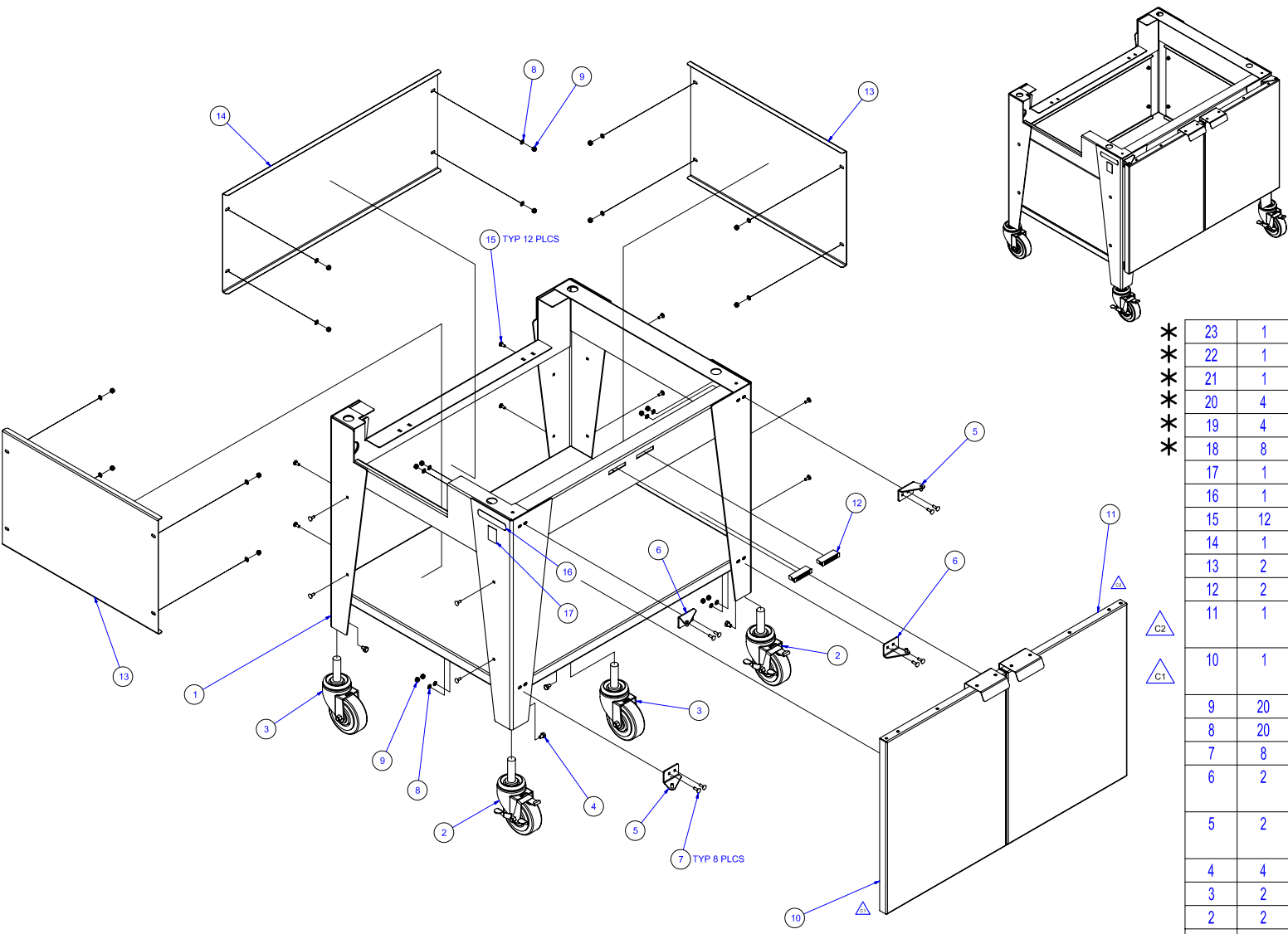


*	23	1	260BAF	INSTRUCTION, INSTALLATION, COMBI STAND
*	22	1	111693	CLIP, WIRE ROPE, 0.250 DIA., HOT DIPPED GALVANIZED
*	21	1	111692	KIT, RESTRAINING DEVICE, COMBI STAND
*	20	4	112169	SCREW, 3/4-10 X 1, HEX HEAD, ZINC PLATED
*	19	4	112168	WASHER, LOCK, SPLIT, 3/4, ZINC PLATED
*	18	8	WR50204	SHIM, CASTER, "C" SHAPED (FOR 3/4 STEM)
	17	1	110587	LABEL, SANITATION, UL CLASS, NSF #2
	16	1	111672	LABEL, COMBI STAND, MODEL NO. CST-20-CBCA (6.20, 10.20)
	15	12	112055	SCREW, CARRIAGE, 10-24x1/2, SST (RND HEAD, SQ NECK)
	14	1	112022	PANEL, REAR, CLOSED COMBI STAND, X.20
	13	2	112021	PANEL, SIDE, CLOSED COMBI STAND, X.20
	12	2	KE52133	CATCH, MAGNETIC, SNAP-IN, SOUTHCO #02-10-201-10
	11	1	112196	ASSEMBLY, DOOR, DOUBLE PANEL, RIGHT HAND, COMBI STAND, X.20
	10	1	112195	ASSEMBLY, DOOR, DOUBLE PANEL, LEFT HAND, COMBI STAND, X.20
	9	20	104616	NUT, HEX, LOCK, 10-24, SST, NYLON INSERT
	8	20	101655	WASHER, FLAT, #10, SST
	7	8	112053	SCREW, CARRIAGE, 10-24x5/8, SST (RND HEAD, SQ NECK)
	6	2	WR000001	WELDMENT, HINGE BRACKET, LOWER RIGHT AND UPPER LEFT
	5	2	WR000000	WELDMENT, HINGE BRACKET, LOWER LEFT AND UPPER RIGHT
	4	4	19218	SCREW, 1/4-20 X 3/8, HEX HEAD, SST
	3	2	80020	CASTER, SWIVEL, 4", WITHOUT BRAKE
	2	2	80019	CASTER, SWIVEL, 4", WITH BRAKE
	1	1	112016	WELDMENT, CLOSED COMBI CASTER STAND, X.20
	ITEM	QTY	PART NO.	DESCRIPTION



18	1	260BAF	INSTRUCTION, INSTALLATION, COMBI STAND
17	4	112169	SCREW, 3/4-10 X 1, HEX HEAD, ZINC PLATED
16	4	112168	WASHER, LOCK, SPLIT, 3/4, ZINC PLATED
15	1	110587	LABEL, SANITATION, UL CLASS, NSF #2
14	1	111669	LABEL, COMBI STAND, MODEL NO, CST-10-CB (6.10, 10.10)
13	12	112055	SCREW, CARRIAGE, 10-24x1/2, SST (RND HEAD, SQ NECK)
12	1	111996	PANEL, REAR, CLOSED COMBI STAND, X.10
11	2	111995	PANEL, SIDE, CLOSED COMBI STAND, X.10
10	2	KE52133	CATCH, MAGNETIC, SNAP-IN, SOUTHCO #02-10-201-10
9	1	112194	ASSEMBLY, DOOR, DOUBLE PANEL, RIGHT HAND, COMBI STAND, X.10
8	1	112193	ASSEMBLY, DOOR, DOUBLE PANEL, LEFT HAND, COMBI STAND, X.10
7	20	104616	NUT, HEX, LOCK, 10-24, SST, NYLON INSERT
6	20	101655	WASHER, FLAT, #10, SST
5	8	112053	SCREW, CARRIAGE, 10-24x5/8, SST (RND HEAD, SQ NECK)
4	2	WR000001	WELDMENT, HINGE BRACKET, LOWER RIGHT AND UPPER LEFT
3	2	WR000000	WELDMENT, HINGE BRACKET, LOWER LEFT AND UPPER RIGHT
2	4	111950	FOOT, ADJUSTABLE, FOR 1-1/2" SQUARE TUBING (16 GA OR 18 GA WALL), WITH 3-1/2" SST FLANGE W/HOLES
1	1	112101	WELDMENT, CLOSED COMBI FOOT STAND, X.10
ITEM	QTY	PART NO.	DESCRIPTION

WR50204 Shims



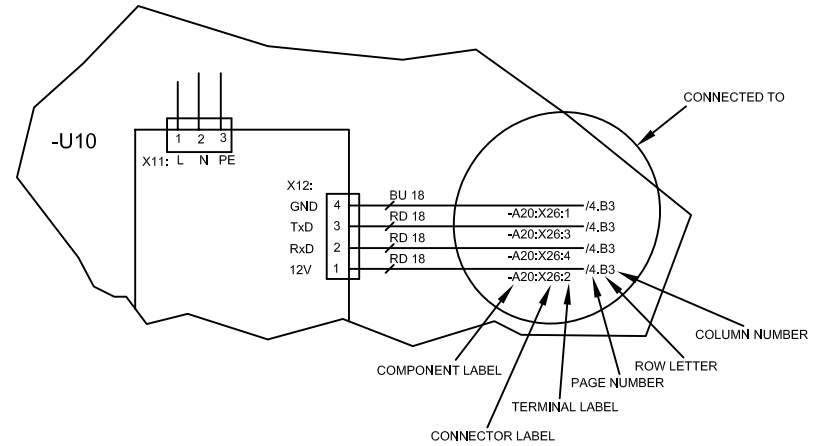
*	23	1	260BAF	INSTRUCTION, INSTALLATION, COMBI STAND
*	22	1	111693	CLIP, WIRE ROPE, 0.250 DIA., HOT DIPPED GALVANIZED
*	21	1	111692	KIT, RESTRAINING DEVICE, COMBI STAND
*	20	4	112169	SCREW, 3/4-10 X 1, HEX HEAD, ZINC PLATED
*	19	4	112168	WASHER, LOCK, SPLIT, 3/4, ZINC PLATED
*	18	8	WR50204	SHIM, CASTER, "C" SHAPED (FOR 3/4 STEM)
	17	1	110587	LABEL, SANITATION, UL CLASS. NSF #2
	16	1	111671	LABEL, COMBI STAND, MODEL NO. CST-10-CBCA (6.10, 10.10)
	15	12	112055	SCREW, CARRIAGE, 10-24x1/2, SST (RND HEAD, SQ NECK)
	14	1	111996	PANEL, REAR, CLOSED COMBI STAND, X.10
	13	2	111995	PANEL, SIDE, CLOSED COMBI STAND, X.10
	12	2	KE52133	CATCH, MAGNETIC, SNAP-IN, SOUTHCO #02-10-201-10
△cz	11	1	112194	ASSEMBLY, DOOR, DOUBLE PANEL, RIGHT HAND, COMBI STAND, X.10
△c1	10	1	112193	ASSEMBLY, DOOR, DOUBLE PANEL, LEFT HAND, COMBI STAND, X.10
	9	20	104616	NUT, HEX, LOCK, 10-24, SST, NYLON INSERT
	8	20	101655	WASHER, FLAT, #10, SST
	7	8	112053	SCREW, CARRIAGE, 10-24x5/8, SST (RND HEAD, SQ NECK)
	6	2	WR000001	WELDMNT, HINGE BRACKET, LOWER RIGHT AND UPPER LEFT
	5	2	WR000000	WELDMNT, HINGE BRACKET, LOWER LEFT AND UPPER RIGHT
	4	4	19218	SCREW, 1/4-20 X 3/8, HEX HEAD, SST
	3	2	80020	CASTER, SWIVEL, 4", WITHOUT BRAKE
	2	2	80019	CASTER, SWIVEL, 4", WITH BRAKE
	1	1	111990	WELDMNT, CLOSED COMBI CASTER STAND, X.10
ITEM	QTY	PART NO.	DESCRIPTION	

* = NOT SHOWN

PARTS LIST

LABEL	DESCRIPTION	PART NO.	LOCATION	LABEL	DESCRIPTION	PART NO.	LOCATION
-A10	CONTROL BOARD (SM 5010)	C5019100	3	-W1	CABLE, 9 PIN COM.	300533	3.C3
-A11	OPERATION BOARD (BM 5010)	C5019101	3	-Y1	VALVE, CONDENSER, 120VAC NOISE FILTER (RC)	300455	3.E4
-A12	PICTO BOARD (OPTION)	C5019105	3.B1			300407	3.E4
-A13	I.D. MODULE	C5019102	3.B8	-Y10	VALVE ASSY, 2 WAY, 120VAC -Y2 VALVE, DEHUMID.	300456	3.E
-A20	GAS BOARD (GM5010)	C5019103	4			-	3.E
-B1	WATER LEVEL PROBE	C5019003	3.A6			-	3.E
-B3	CONDENSOR PROBE	C5016006	3.B4			-	3.E
-B4	STEAM GEN PROBE	C5016006	3.B3			300363	3
-B5	BYPASS PROBE	C5016006	3.B4			-	3
-B6	OVEN PROBE	C5016006	3.B4			-	3
-B7.1	OVEN HI-TEMP THERMOSTAT	C5001041	5.B4			-	3
-B7.2	GEN. HI-TEMP THERMOSTAT	1089952	6.B4			300407	3
-B8	GEN. HI-TEMP PROBE	C5016008	3.B3	-Y20	PUMP, RINSING AGENT, 120VAC(CLEANING OPTION)	300352	3.E7
-B10	CORE TEMP. PROBE (KTM CTC)	C5013000	3.B4	-Y22	PUMP, CLEANING AGENT, 120VAC(CLEANING OPTION)	300352	3.E8
-F1	FUSE, 3A	KE52936-6	2.B3	-Y23	PUMP, CLEANING AGENT, 120VAC(CLEANING OPTION)	300352	3.E8
-F2	FUSE, 1A	300418	3.E3	-Z1	LINE FILTER	300413	2.B1
-F10	FUSE, 15A	KE52936-9	2.B6				
-FS1,FS2	FLAME SENSOR	C4018000	5.E3,6.E3				
-G1	POWER SUPPLY, 12VDC	300350	2.C3				
-H5	OVEN LAMP	C5005043	3.E3				
-M1	MOTOR, CONVECTION	C50180211	2.E5				
-M3	COOLING FAN	C5018023	3.E1				
-M4	PUMP, GEN.	300506	3.E6				
-N20	BURNER ASSY, HOT AIR VALVE, GAS, 120VAC	C6016009					
	CONTROL, BURNER, 120VAC	C6016023					
-N21	BURNER ASSY, GEN. VALVE, GAS, 120VAC	C6016009	6.D3				
	CONTROL, BURNER, 120VAC	C6016023					
-R20	IGNITOR, CONV.	C4018002	5.E4				
-R21	IGNITOR, GEN.	C4018002	6.E3				
-S1	SWITCH, CONTROL POWER	19993	2.A1				
-S2	PRESSURE SWITCH	C5013052	3.A5				
-S7	DOOR SWITCH	C5003075	3.A6				
-T1	TRANSFORMER, 120V/24V	300419	5.C2				
-T2	TRANSFORMER, 120V/24V	300419	6.C2				
-U10	AC DRIVE	300412	2.B6				
-U20	POWER BURNER ASSY, HOT AIR FAN, BURNER, 120VAC	-	5.D6				
		C5018006					
-U21	POWER BURNER ASSY, GEN. FAN, BURNER, 120VAC	-	6.D6				
		C5018006					

CONNECTION NUMBERING EXAMPLE



THIS DESIGN DESCRIBES A PROPRIETARY ITEM AND IS THE PROPERTY OF CLEVELAND RANGE.
THIS DRAWING IS NOT TO BE COPIED OR USED WITHOUT THE APPROVAL OF CLEVELAND RANGE.

CLEVELAND RANGE, LLC
1333 East 179th St., Cleveland, Ohio 44110-2574

TITLE

WIRING DIAGRAM
OGB 6.10/6.20/10.10

VOLTAGE: 120VAC
WATTAGE: 10.25W
CURRENT: 11.7A

DRAWN BY

DRL

DATE

7-25-05

DRAWING NO.

300493

SIZE

B

REV

D

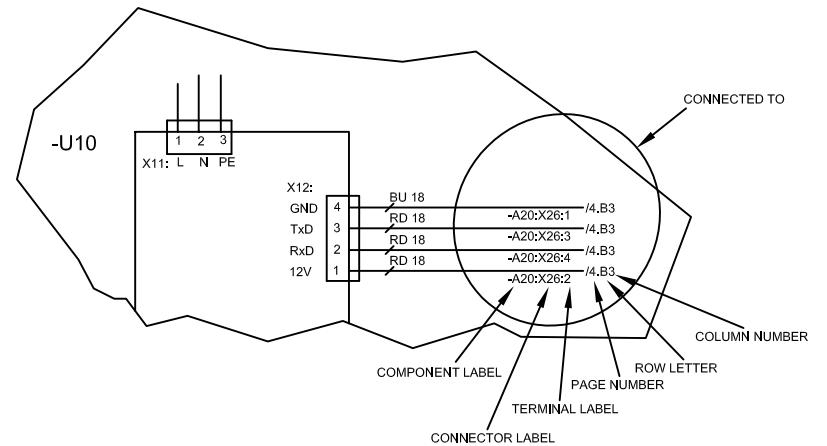
SHEET 1 OF 9

PARTS LIST

LABEL	DESCRIPTION	PART NO.	LOCATION
-A10	CONTROL BOARD (SM 5010)	C5019100	3
-A11	OPERATION BOARD (BM 5010)	C5019101	3
-A12	PICTO BOARD (OPTION)	C5019105	3.B1
-A13	I.D. MODULE	C5019102	3.B8
-B3	CONDENSOR PROBE	C5016006	3.B4
-B5	BYPASS PROBE	C5016006	3.B4
-B6	OVEN PROBE	C5016006	3.B4
-B7.1	OVEN HI-TEMP THERMOSTAT	C5001041	5.B4
-B10	CORE TEMP. PROBE (KTM CTC)	C5013000	3.B4
-F1	FUSE, 3A	KE52936-6	2.B3
-F2	FUSE, 1A	300418	3.E3
-FS1	FUSE, 15A	KE52936-9	2.B6
-F10	FLAME SENSOR	C4018000	4.E3
-G1	POWER SUPPLY, 12VDC	300350	2.C3
-H5	OVEN LAMP	C5005043	3.E3
-M1	MOTOR, CONVECTION	C50180211	2.E5
-M3	COOLING FAN	C5018023	3.E1
-N20	BURNER ASSY, HOT AIR	-	4.D3
	VALVE, GAS, 120VAC	C6016009	
	CONTROL, BURNER, 120VAC	C6016023	
-R20	IGNITOR, CONV.	C4018002	4.E4
-S1	SWITCH, CONTROL POWER	19993	2.A1
-S2	PRESSURE SWITCH (PUMP)	C5013052	3.A5
-S3	PRESSURE SWITCH (INJECT.)	C5009063	3.A5
-S7	DOOR SWITCH	C5003075	3.A6
-T1	TRANSFORMER, 120V/24V	300419	4.C2
-U10	AC DRIVE	300412	2.B6
-U20	POWER BURNER ASSY, HOT AIR	-	4.D6
	FAN, BURNER, 120VAC	C5018006	

LABEL	DESCRIPTION	PART NO.	LOCATION
-W1	CABLE, 9 PIN COM.	300533	3.C3
-Y1	VALVE, CONDENSER, 120VAC NOISE FILTER (RC)	300455	3.E4
-Y10	VALVE ASSY, 2 WAY, 120VAC -Y2 VALVE, DEHUMID.	300407	3.E4
	-Y3 VALVE, GEN. FILL	300456	3.E
	NOISE FILTER (RC)	-	3.E
	VALVE ASSY, 3 WAY, 120VAC(CLEANING OPTION)	-	3.E
	-Y2 VALVE, DEHUMID.	300363	3
	-Y3 VALVE, GEN. FILL	-	3
	-Y21 VALVE, CLEAN/RINSE	-	3
	NOISE FILTER (RC)	-	3
	PUMP, RINSING AGENT, 120VAC(CLEANING OPTION)	300407	3
-Y20	PUMP, CLEANING AGENT, 120VAC(CLEANING OPTION)	300352	3.E7
-Y22	PUMP, CLEANING AGENT, 120VAC(CLEANING OPTION)	300352	3.E8
-Y23	PUMP, CLEANING AGENT, 120VAC(CLEANING OPTION)	300352	3.E8
-Z1	LINE FILTER	300413	2.B1

CONNECTION NUMBERING EXAMPLE



THIS DESIGN DESCRIBES A PROPRIETARY ITEM AND IS THE PROPERTY OF CLEVELAND RANGE.
THIS DRAWING IS NOT TO BE COPIED OR USED WITHOUT THE APPROVAL OF CLEVELAND RANGE.

CLEVELAND RANGE, LLC
1333 East 179th St., Cleveland, Ohio 44110-2574

TITLE
WIRING DIAGRAM
OGS 6.10/6.20/10.10

VOLTAGE: 120VAC
WATTAGE: 10.25W
CURRENT: 11.7A

DRAWN BY
DRL
DATE
8-9-05

DRAWING NO.
300494

SIZE
B SHEET 1 OF 6

REV
D