

# Parts Manual

## Convotherm Gas 10.20

### CONVOTHERM BY CLEVELAND

---



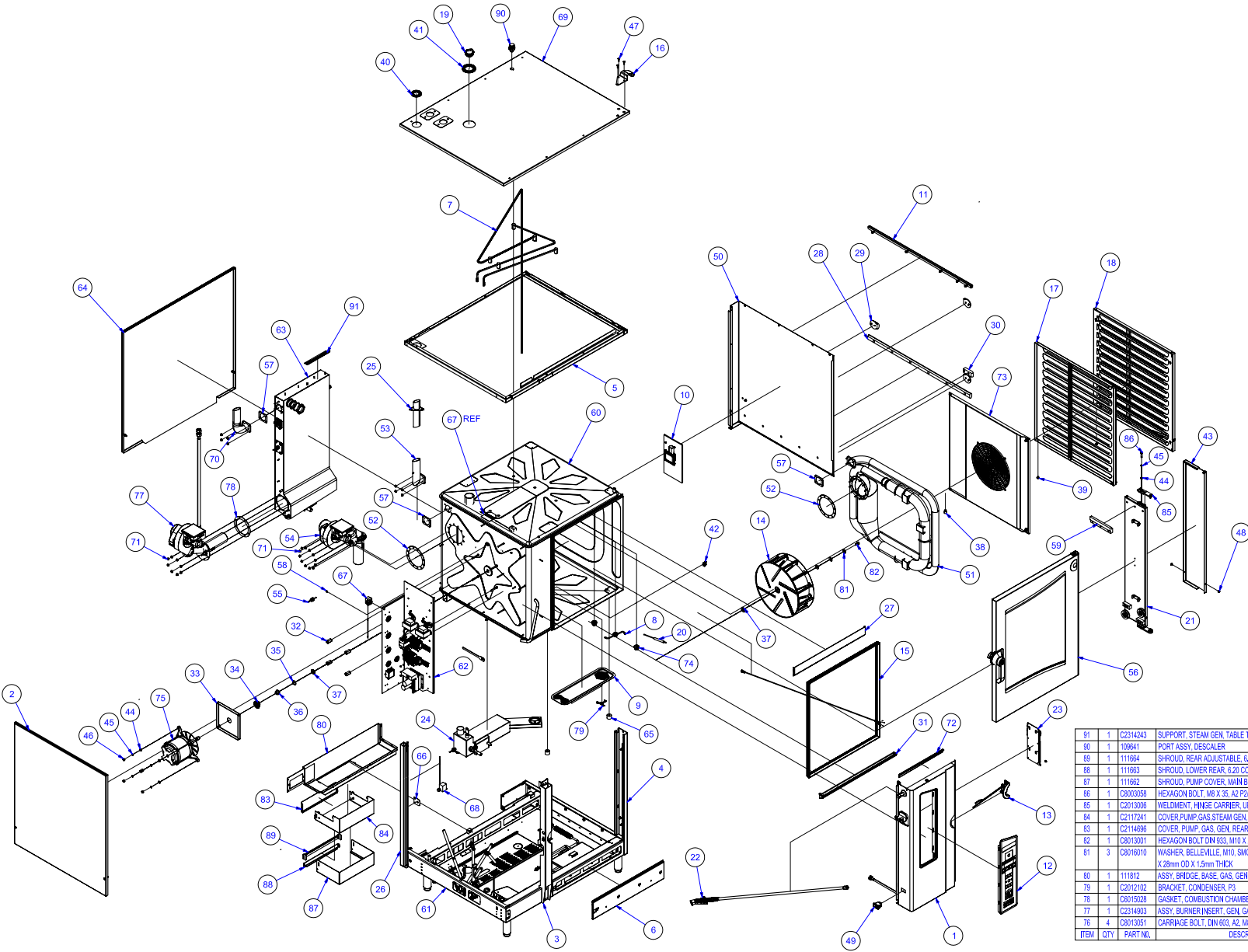
---

1333 East 179<sup>th</sup> Street  
Cleveland, Ohio 44110

Phone: (216) 481-4900  
Fax: (216) 481-3782  
[www.clevelandrange.com](http://www.clevelandrange.com)

 Cleveland

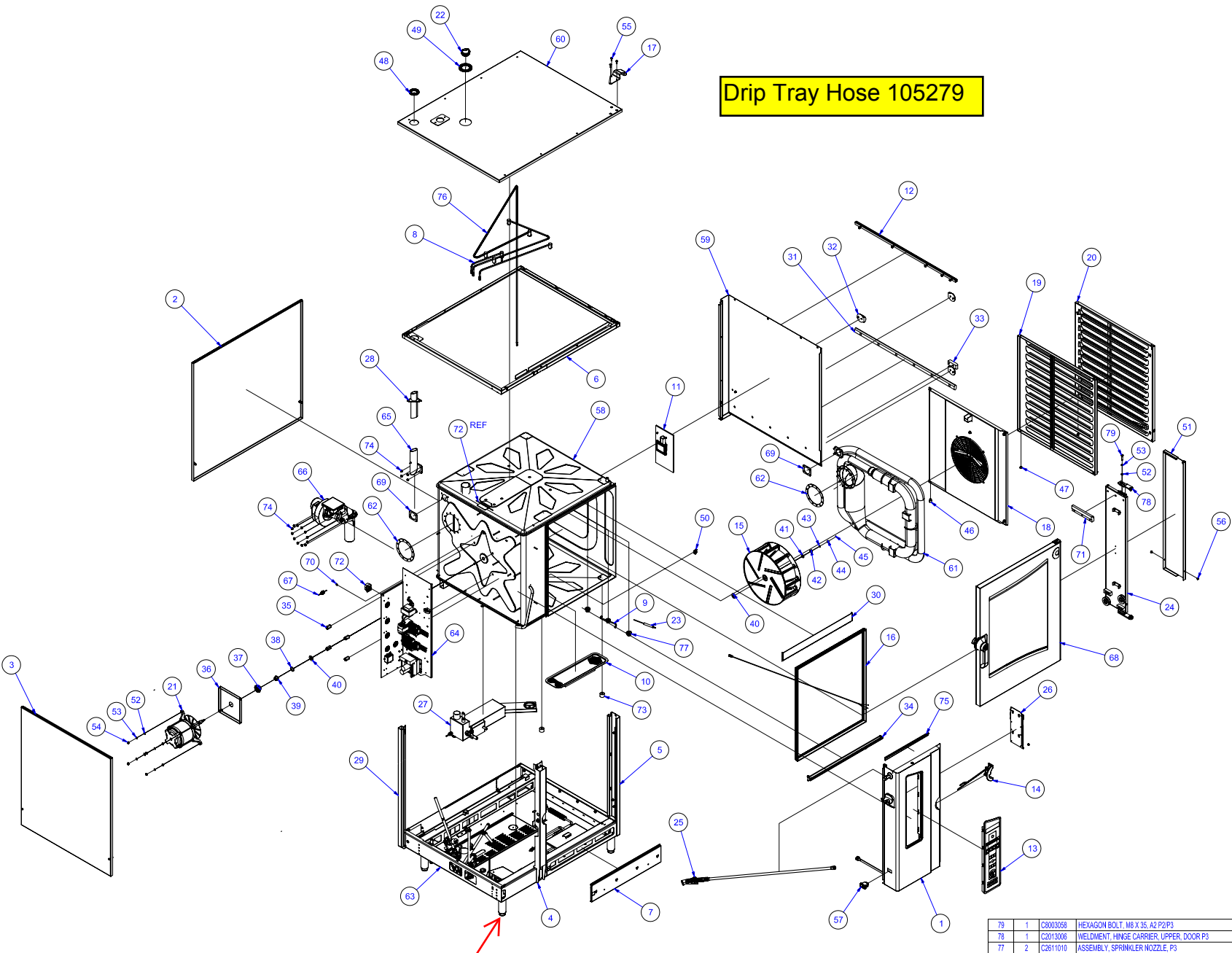
# Drip Tray Hose 105279



75	1	C5018014	MOTOR, 3-PHASE, 208-240V 60HZ, 200V 50HZ, 4/8 POLE, 0.9KW, GAS COMBI P3
74	2	C2611010	ASSEMBLY, SPRINKLER NOZZLE, P3
73	1	C2214144	ASSEMBLY, INTAKE PANEL, GEN, 10,20 P3
72	1	C2115376	WELDMENT, CHIMNEY, FRONT, 6,20/10,20 P3
71	28	C8017011	NUT, FLANGE, HEX M6 A4 P3
70	1	C2010774	WELDMENT, FLUE, STEAM GENERATOR, GAS, 10,20/12,20, P3
69	1	C2115464	ASSEMBLY, TOP PANEL, GAS GEN, 10,20 P3
68	1	198962	HALMUT RESET SWITCH (140° C)
67	1	C5010141	SAFETY TEMPERATURE LIMITER, 340°C
66	1	C2114768	BRACKET, HIGH LIMIT, STEAM GENERATOR, P3
65	2	C9015209	BUSHING, Ø 30 X 23, M6, P3
64	1	C2114764	ASSEMBLY, PANEL, REAR, GAS GEN, 10,20 P3
63	1	C2314883	GEN. GAS, PRE-MOUNTED, 10,20/20,10/20,20, P3
62	1	300613	INSTRUCTION ASSEMBLY, COMPONENT PANEL, COB 10,20/12,20
61	1	C21145475	ASSEMBLY, BASE, GAS, GENERATOR, WITH CLEANING SYSTEM, 10,20 P3
60	1	C2215258	WELDMENT, INNER HOUSING 10,20, GAS, GEN, REI
59	1	C8012008	SUPPORT STRIP VST P3
58	1	C8005260	SEAL, THERMOCOUPLE SENSOR, OSCOSP P2
57	3	C8015027	SEAL, Ø50MM, FLUE P3
56	1	C2514533	DOOR 10,20 COMPLETE P3
55	1	C5018006	THERMOCOUPLE SENSOR, OSCOSP 64/S07 (165MM)
54	1	C2614863	BURNER INSERT, HOT AIR, 110V, 10,20/12,20/20,20, NAT
53	1	1112529	ASSEMBLY, FLUE WITH STUD, 10,20/20,20, P3
52	2	C9015029	GASKET, HEAT EXCHANGER 10,20/12,20/20,02
51	1	C2010016	WELDMENT, HEAT EXCHANGER 10,20/12,20/20,20
50	1	C2115484	ASSEMBLY, PANEL, RIGHT SIDE, 10,20 P3
49	1	19895	SWITCH, ROCKER, DPDT, ON/OFF 15A, 125V
48	2	C9015000	MLF SCREW M8X A2 P3
47	3	C8003032	SCREW, MLF, M6 X 20, A2
46	4	C8004057	NUT, HEX, M6 A4
45	5	C8006000	SCHNORR LOCK WASHER, S8, A2, P3
44	5	C8005050	WASHER, 8,4 A2 DIN 125 P3
43	1	C2114817	COVER PANEL VST 10,10/10,20
42	1	C2016009	COVER, BYPASS, P3
41	1	C8005427	DIAPHRAGM GROMMET Ø83 (D60) FOR VAC, REG, VALVE
40	1	C8005548	DIAPHRAGM GROMMET Ø 80 mm (D6 40) P3
39	2	C8015241	SUPPORT PIN, HANGING RACK, P3
38	1	C8015212	SUPPORT PIN, INTAKE PANEL, P3
37	2	C8015024	SEALING RING, MOTOR SHAFT, VITON, COMBI P3
36	1	C8015206	BUSHING, LABYRINTH P3
35	1	C8015210	SHIM, WEARING MOTOR SHAFT SEAL P3
34	1	C8015050	SPRING, MOTOR SHAFT SEAL P3
33	1	C2114140	MOTOR MOUNTING PLATE
32	4	C9015213	SPACER BUSHING, MOTOR 33mm
31	1	C8018001	DRIP PAN 6,20/10,20 P3
30	1	C9012009	GUIDE STRIP, LOWER VST P3
29	3	C8012011	DOOR STOPPER VA VST P3
28	1	C2017000	GUIDE RAIL, VST X,20 P3
27	1	C2114732	FACEPLATE, UPPER X,20 P3
26	1	C2114834	CORNER, WELDED, REAR, LEFT, 10,10/10,20 P3
25	1	C2114292	AIR OUTLET CONNECTING PIECE 20,20 GEN, 6,20/10,10/20,10,NL
24	1	C2012106	ASSEMBLY, CONDENSER, COUNTERTOP UNIT, P3
23	1	C2614286	ASSEMBLY, CONTROLLER, ELECTRIC, P3
22	1	C22168001	ASSEMBLY, HAND SHOWER, 10,10/10,20, P3
21	1	C2614802	ASSEMBLY, SLIDING PLATE VST 10,10/10,20 P3
20	1	C2614283	ASSEMBLY, CORE TEMPERATURE SENSOR, P3
19	1	C268862	ASSEMBLY, NEGATIVE PRESSURE SAFETY VENT
18	1	C2241193	WELDMENT, RACK PAN, RIGHT, 10,20, P3
17	1	C2241192	WELDMENT, RACK PAN, LEFT, 10,20, P3
16	1	C2614740	ASSEMBLY, GUIDE CLIP, VST, COUNTERTOP MODEL, P3
15	1	C7011005	DOOR SEAL, 10,20, P3
14	1	C9010003	WHEEL, BLOWER, 405mm OD X 150mm WIDE, TYPE 304 SST, PRECISION REARED HUB, 10,20, 12,20, & 20,20 COMBI P3
13	1	C9012001	ASSEMBLY, DOOR LATCH, P3
12	1	C21142964	ASSY, CONTROL PANEL, SPRITZER, WITH PICTO
11	1	C2114690	ASSEMBLY, SLIDE BAR, DISAPPEARING DOOR, X,20 P3
10	1	C2614841	ASSEMBLY, CAVITY LIGHT, P3
9	1	C2216706	ASSEMBLY, COVER, DEHUMIDIFYING GUTTER, P3
8	1	C2611068	ASSEMBLY, ROTOR NOZZLE, P2, P3
7	1	C2614883	INSTRUCTION, CLEANING SYSTEM, COMBI
6	1	C2114453	WELDMENT, FACEPLATE, LOWER, 6,20/10,20, P3
5	1	C2114826	ASSEMBLY/WELDMENT, INTERMEDIATE TOP, 6,20/10,20 P3
4	1	C2012102	BRACKET, CONDENSER, P3
3	1	C5016528	GASKET, COMBUSTION CHAMBER, 6,10/6,20/10,10/20,10
2	1	C2114903	ASSY, BURNER INSERT, GEN GAS, 10,20/12,20/20,10/20,20, NAT
1	4	C8013051	CARRIAGE BOLT, DIN 603, A2, M8x80
91	1	C2314243	SUPPORT, STEAM GEN, TABLE TOP UNIT
90	1	10944	PORT ASSY, DESCALER
89	1	111964	SHROUD, REAR, ADJUSTABLE, 6,20
88	1	111963	SHROUD, LOWER REAR, 6,20 COMBI
87	1	111962	SHROUD, PUMP COVER, MAIN BODY, 6,20 COMBI
86	1	C8003059	HEXAGON BOLT, M8 X 35, A2 P2 P3
85	1	C2013006	WELDMENT, HINGE CARRIER, UPPER, DOOR P3
84	1	C2117241	COVER PUMP GAS, STEAM GEN, FRONT, ASSY, 6,20/10,20
83	1	C2114696	COVER, PUMP, GAS, GEN, REAR P3
82	1	C8013001	HEXAGON BOLT, DIN 933, M10 X 20 A4
81	3	C8016001	WASHER, BELLEVILLE, M10, SMOOTH, TYPE 301 SST, 10,2mm ID X 28mm OD X 1,5mm THICK
80	1	111812	ASSY, BRIDGE, BASE, GAS, 6,20
79	1	C2012102	BRACKET, CONDENSER, P3
78	1	C5016528	GASKET, COMBUSTION CHAMBER, 6,10/6,20/10,10/20,10
77	1	C2114903	ASSY, BURNER INSERT, GEN GAS, 10,20/12,20/20,10/20,20, NAT
76	4	C8013051	CARRIAGE BOLT, DIN 603, A2, M8x80
75	1	C5018014	MOTOR, 3-PHASE, 208-240V 60HZ, 200V 50HZ, 4/8 POLE, 0.9KW, GAS COMBI P3
74	2	C2611010	ASSEMBLY, SPRINKLER NOZZLE, P3
73	1	C2214144	ASSEMBLY, INTAKE PANEL, GEN, 10,20 P3
72	1	C2115376	WELDMENT, CHIMNEY, FRONT, 6,20/10,20 P3
71	28	C8017011	NUT, FLANGE, HEX M6 A4 P3
70	1	C2010774	WELDMENT, FLUE, STEAM GENERATOR, GAS, 10,20/12,20, P3
69	1	C2115464	ASSEMBLY, TOP PANEL, GAS GEN, 10,20 P3
68	1	198962	HALMUT RESET SWITCH (140° C)
67	1	C5010141	SAFETY TEMPERATURE LIMITER, 340°C
66	1	C2114768	BRACKET, HIGH LIMIT, STEAM GENERATOR, P3
65	2	C9015209	BUSHING, Ø 30 X 23, M6, P3
64	1	C2114764	ASSEMBLY, PANEL, REAR, GAS GEN, 10,20 P3
63	1	C2314883	GEN. GAS, PRE-MOUNTED, 10,20/20,10/20,20, P3
62	1	300613	INSTRUCTION ASSEMBLY, COMPONENT PANEL, COB 10,20/12,20
61	1	C21145475	ASSEMBLY, BASE, GAS, GENERATOR, WITH CLEANING SYSTEM, 10,20 P3
60	1	C2215258	WELDMENT, INNER HOUSING 10,20, GAS, GEN, REI
59	1	C8012008	SUPPORT STRIP VST P3
58	1	C8005260	SEAL, THERMOCOUPLE SENSOR, OSCOSP P2
57	3	C8015027	SEAL, Ø50MM, FLUE P3
56	1	C2514533	DOOR 10,20 COMPLETE P3
55	1	C5018006	THERMOCOUPLE SENSOR, OSCOSP 64/S07 (165MM)
54	1	C2614863	BURNER INSERT, HOT AIR, 110V, 10,20/12,20/20,20, NAT
53	1	1112529	ASSEMBLY, FLUE WITH STUD, 10,20/20,20, P3
52	2	C9015029	GASKET, HEAT EXCHANGER 10,20/12,20/20,02
51	1	C2010016	WELDMENT, HEAT EXCHANGER 10,20/12,20/20,20
50	1	C2115484	ASSEMBLY, PANEL, RIGHT SIDE, 10,20 P3
49	1	19895	SWITCH, ROCKER, DPDT, ON/OFF 15A, 125V
48	2	C9015000	MLF SCREW M8X A2 P3
47	3	C8003032	SCREW, MLF, M6 X 20, A2
46	4	C8004057	NUT, HEX, M6 A4
45	5	C8006000	SCHNORR LOCK WASHER, S8, A2, P3
44	5	C8005050	WASHER, 8,4 A2 DIN 125 P3
43	1	C2114817	COVER PANEL VST 10,10/10,20
42	1	C2016009	COVER, BYPASS, P3
41	1	C8005427	DIAPHRAGM GROMMET Ø83 (D60) FOR VAC, REG, VALVE
40	1	C8005548	DIAPHRAGM GROMMET Ø 80 mm (D6 40) P3
39	2	C8015241	SUPPORT PIN, HANGING RACK, P3
38	1	C8015212	SUPPORT PIN, INTAKE PANEL, P3
37	2	C8015024	SEALING RING, MOTOR SHAFT, VITON, COMBI P3
36	1	C8015206	BUSHING, LABYRINTH P3
35	1	C8015210	SHIM, WEARING MOTOR SHAFT SEAL P3
34	1	C8015050	SPRING, MOTOR SHAFT SEAL P3
33	1	C2114140	MOTOR MOUNTING PLATE
32	4	C9015213	SPACER BUSHING, MOTOR 33mm
31	1	C8018001	DRIP PAN 6,20/10,20 P3
30	1	C9012009	GUIDE STRIP, LOWER VST P3
29	3	C8012011	DOOR STOPPER VA VST P3
28	1	C2017000	GUIDE RAIL, VST X,20 P3
27	1	C2114732	FACEPLATE, UPPER X,20 P3
26	1	C2114834	CORNER, WELDED, REAR, LEFT, 10,10/10,20 P3
25	1	C2114292	AIR OUTLET CONNECTING PIECE 20,20 GEN, 6,20/10,10/20,10,NL
24	1	C2012106	ASSEMBLY, CONDENSER, COUNTERTOP UNIT, P3
23	1	C2614286	ASSEMBLY, CONTROLLER, ELECTRIC, P3
22	1	C22168001	ASSEMBLY, HAND SHOWER, 10,10/10,20, P3
21	1	C2614802	ASSEMBLY, SLIDING PLATE VST 10,10/10,20 P3
20	1	C2614283	ASSEMBLY, CORE TEMPERATURE SENSOR, P3
19	1	C268862	ASSEMBLY, NEGATIVE PRESSURE SAFETY VENT
18	1	C2241193	WELDMENT, RACK PAN, RIGHT, 10,20, P3
17	1	C2241192	WELDMENT, RACK PAN, LEFT, 10,20, P3
16	1	C2614740	ASSEMBLY, GUIDE CLIP, VST, COUNTERTOP MODEL, P3
15	1	C7011005	DOOR SEAL, 10,20, P3
14	1	C9010003	WHEEL, BLOWER, 405mm OD X 150mm WIDE, TYPE 304 SST, PRECISION REARED HUB, 10,20, 12,20, & 20,20 COMBI P3
13	1	C9012001	ASSEMBLY, DOOR LATCH, P3
12	1	C21142964	ASSY, CONTROL PANEL, SPRITZER, WITH PICTO
11	1	C2114690	ASSEMBLY, SLIDE BAR, DISAPPEARING DOOR, X,20 P3
10	1	C2614841	ASSEMBLY, CAVITY LIGHT, P3
9	1	C2216706	ASSEMBLY, COVER, DEHUMIDIFYING GUTTER, P3
8	1	C2611068	ASSEMBLY, ROTOR NOZZLE, P2, P3
7	1	C2614883	INSTRUCTION, CLEANING SYSTEM, COMBI
6	1	C2114453	WELDMENT, FACEPLATE, LOWER, 6,20/10,20, P3
5	1	C2114826	ASSEMBLY/WELDMENT, INTERMEDIATE TOP, 6,20/10,20 P3
4	1	C2012102	BRACKET, CONDENSER, P3
3	1	C5016528	GASKET, COMBUSTION CHAMBER, 6,10/6,20/10,10/20,10
2	1	C2114903	ASSY, BURNER INSERT, GEN GAS, 10,20/12,20/20,10/20,20, NAT
1	4	C8013051	CARRIAGE BOLT, DIN 603, A2, M8x80

**Spray Handle Shut Off Valve C6014003**

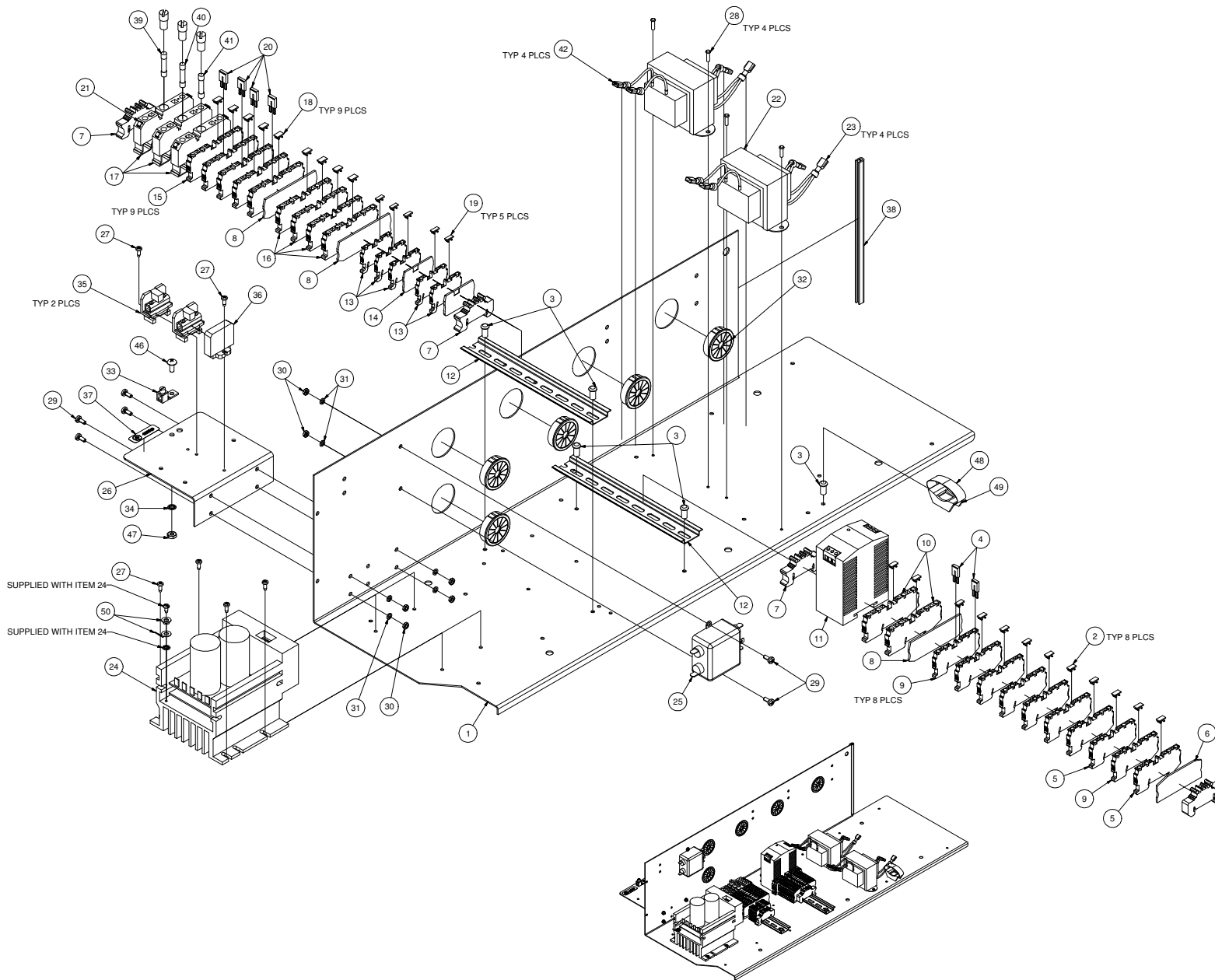
# Drip Tray Hose 105279



111950 foot assy for 1.50 SQ tubing

Spray Handle Shut Off Valve C6014003

65	1	112529	ASSEMBLY, FLUE WITH STUD, 10,20/20,20, P3				
64	1	300614	INSTRUCTION ASSEMBLY, COMPONENT PANEL, OGS 10,20/12,20				
63	1	C21143375	ASSEMBLY, BASE, GAS, INJECTOR, WITH CLEANING SYSTEM, 10,20 P3				
62	2	C8015029	GASKET, HEAT EXCHANGER 10,20/12,20/20,02				
61	1	C2010016	WELDMENT, HEAT EXCHANGER 10,20/12,20/20,20				
60	1	C2115454	ASSEMBLY, TOP PANEL, GAS INJ, 10,20 P3				
59	1	C2115484	ASSEMBLY, PANEL, RIGHT SIDE, 10,20 P3				
58	1	C2215057	WELDMENT, INNER HOUSING 10,20, GAS, INJ, REI				
57	1	19863	SWITCH, ROCKER, DPDT, ON/OFF 15A, 125V				
56	2	C8015000	M/F SCREW M6X8 A2 P3				
55	3	C8003032	SCREW, M/F, M6 X 20, A2				
54	4	C8004057	NUT, HEX, M6 A4				
53	5	C8005060	SCREW/LOCK WASHER, SS, A2, P3				
52	5	C8005050	WASHER, 8.4 A2 DIN 125 P3				
51	1	C2114817	COVER PANEL, VST 10,10/10,20				
50	1	C2015000	COVER, BYPASS, P3				
49	1	C2005427	DIAPHRAGM GROMMET Ø83 (DGR0) FOR VAC, REG. VALVE				
48	1	C2005048	DIAPHRAGM GROMMET Ø 80 mm (DG 48) P3				
47	2	C8015241	SUPPORT PIN, HANGING RACK, P3				
46	1	C8015212	SUPPORT PIN, INTAKE PANEL, P3				
45	1	111543	RING, RETAINING EXTERNAL, 1/4", STAINLESS STEEL, WAIDES #5100-25H				
44	1	111541	NUT, HEX, LEFT-HAND, M8 X 1.25 (DIN 934L), STAINLESS STEEL				
43	1	111542	WASHER, BELLEVILLE, M8, SERRATED BOTH SIDES, SST, 8.4mm ID X 13mm OD X 0.8mm THICK				
42	1	111540	NUT, HEX, M10 X 1.5 (DIN 934), STAINLESS STEEL				
41	1	111544	WASHER, BELLEVILLE, M10, SMOOTH, TYPE 301 SST, 10.21mm ID X 24mm OD X 1.85mm THICK				
40	2	C8015021	SEALING RING, MOTOR SHAFT, VITON, COMBI P3				
39	1	C8015206	BUSHING, LABYRINTH P3				
38	1	C8015210	SHIM, WEARING MOTOR SHAFT SEAL P3				
37	1	C8015050	SPRING, MOTOR SHAFT SEAL P3				
36	1	C2114140	MOTOR MOUNTING PLATE				
35	4	C8015213	SPACER BUSHING, MOTOR 33mm				
34	1	C2018001	DRIP PAN 6,20/10,20 P3				
33	1	C8012009	GUIDE STRIP, LOWER VST P3				
32	3	C8012011	DOOR STOPPER VA VST P3				
31	1	C2017000	GUIDE RAIL VST X,20 P3				
30	1	C2114732	FACEPLATE, UPPER X,20 P3				
29	1	C2114634	CORNER, WELDED, REAR, LEFT, 10,10/10,20 P3				
28	1	C2114292	AIR OUTLET CONNECTING PIECE 20,20 GEN, 6,20/10,10/20,20 INJ				
27	1	C2012106	ASSEMBLY, CONDENSER, COUNTERTOP UNIT, P3				
26	1	C2614266	ASSEMBLY, CONTROLLER, ELECTRIC, P3				
25	1	C22169001	ASSEMBLY, HAND SHOWER, 10,10/10,20, P3				
24	1	C2614802	ASSEMBLY, SLIDING PLATE VST 10,10/10,20 P3				
23	1	C2614263	ASSEMBLY, CORE TEMPERATURE SENSOR, P3				
22	1	C2608962	ASSEMBLY, NEGATIVE PRESSURE SAFETY VENT				
21	1	C50180031	MOTOR W/STUD, 380-480V 60HZ, 380-415V 50HZ, 3-PHASE, 4/8 POLE, 0.9kW, ELECT. COMBI P3				
20	1	C2214190	WELDMENT, RACK, PAN, RIGHT, 10,20, P3				
19	1	C2214192	WELDMENT, RACK, PAN, LEFT, 10,20, P3				
18	1	C2214154	ASSEMBLY, PLATE, INTAKE PANEL, INJECTOR, 10,20 P3				
17	1	C2614740	ASSEMBLY, GUIDE CLIP, VST, COUNTERTOP MODEL, P3				
16	1	C7011005	DOOR SEAL, 10,20, P3				
15	1	C8010003	WHEEL, BLOWER, 405mm OD X 150mm WIDE, TYPE 304 SST, PRECISION REAMED HUB, 10,20, 12,20, & 20,20 COMBI P3				
14	1	C8012001	ASSEMBLY, DOOR LATCH P3				
13	1	C2114266-3	ASSY, CONTROL PANEL, SPRITZER, WITH PICTO				
12	1	C2114890	ASSEMBLY, SLIDE BAR, DISAPPEARING DOOR, X,20 P3				
11	1	C2614841	ASSEMBLY, CAVITY LIGHT, P3				
10	1	C2216796	ASSEMBLY, COVER, DEHUMIDIFYING GUTTER, P3				
9	1	C2611088	ASSEMBLY, ROTOR NOZZLE, P2, P3				
8	1	C2216031	ASSEMBLY, INJECTOR, 6,20/10,20/12,20, P3				
7	1	C2114463	WELDMENT, FACEPLATE, LOWER, 6,20/10,20 P3				
6	1	C2114826	ASSEMBLY W/ WELDMENT, INTERMEDIATE TOP, 6,20/10,20 P3				
5	1	C2115490	ASSEMBLY, CORNER, FRONT, RIGHT, 10,10/10,20 P3				
4	1	C2114719	WELDMENT, REINFORCEMENT, DOOR LATCH, 10,10/10,20 P3				
3	1	C2114794	ASSEMBLY, PANEL, LEFT SIDE, 10,20 P3				
2	1	C2114744	ASSEMBLY, PANEL, REAR, ELECTRIC & GAS INJ, 10,20 P3				
1	1	C2115444	ASSEMBLY, CORNER, FRONT LEFT, 10,20, P3				
ITEM	QTY	PART NO.	DESCRIPTION	ITEM	QTY	PART NO.	DESCRIPTION
79	1	C8003056	HEXAGON BOLT, M8 X 35, A2 P2/P3				
78	1	C2013006	WELDMENT, HINGE CARRIER, UPPER, DOOR P3				
77	2	C2611010	ASSEMBLY, SPRINKLER NOZZLE, P3				
76	1	C26144883	INSTRUCTION, CLEANING SYSTEM, COMBI				
75	1	C2115376	WELDMENT, CHANNEL, FRONT, 6,20/10,20 P3				
74	16	C8017011	NUT, FLANGE, HEX M6 A4 P3				
73	2	C8015209	BUSHING, Ø 30 X 23, M6, P3				
72	1	C5001041	SAFETY TEMPERATURE LIMITER, 340°C				
71	1	C8012008	SUPPORT STRIP VST P3				
70	1	C8005260	SEAL, THERMOCOUPLE SENSOR, CSC/OSP 2				
69	2	C8015027	SEAL, Ø50 MM, FLUE P3				
68	1	C2514353	DOOR 10,20 COMPLETE P3				
67	1	C5018006	THERMOCOUPLE, SENSOR, CSC/OSP 64,96" (1650MM)				
66	1	C2614863	BURNER INSERT, HOT AIR, 110V, 10,20/12,20/20,20, NAT				

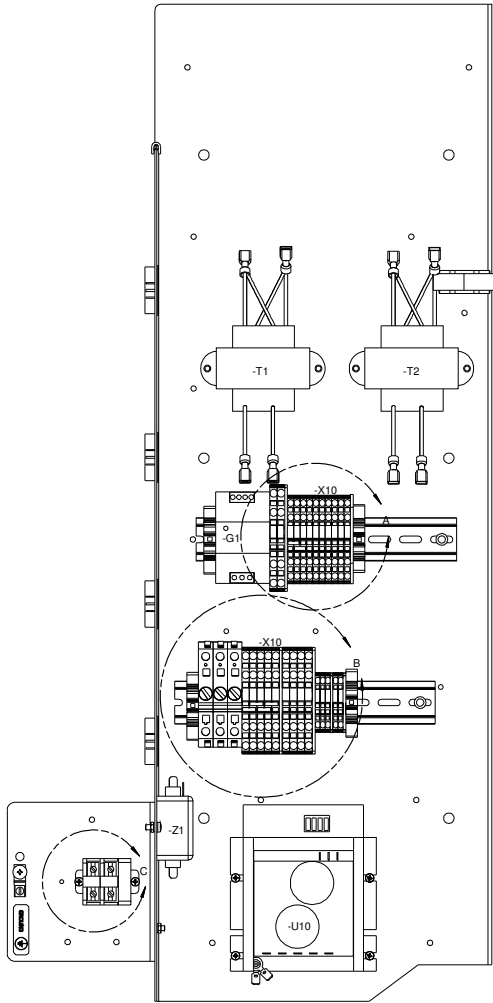


50	2	20323	RING TO MALE TAB TERMINAL
49	1	119856	MOUNT CABLE TIE
48	1	119855	CABLE TIE, (TAK-TY)
47	1	14859	NUT, HEX #10-24, SST
46	1	101231	SCREW, 10-24 X 0.500 SST, PHILLIPS TRUSS HEAD
45	1	300633	WIRING DIAGRAM, OGB 10.20/12.20
*	44	20451	CABLE TIE
*	43	300617	HARNESS, MAIN, OGB 10.20/12.20
42	4	20370	TERM. FULL INSUL, MALE, 0.250 TAB
41	1	300471	FUSE, 20 AMP, MDA
40	1	300418	FUSE, MDA-1
39	1	300752	FUSE, MDA-3
38	1	C7001660608	EDGE GUARD 8.0" LONG
37	1	14897	LABEL, GROUND
36	1	101540	END SEGMENT, SECTIONAL TERMINAL BLOCK, 8S AMP
35	2	101541	BLOCK, TERMINAL SECTION, 8S - AMPERE BOX TYPE
34	1	23114	WASHER, LOCK, INTRNL, TOOTH #10 TYPE A OR B, SST
33	1	20304	LUIG, GROUND
32	5	111751	BUSHING, UNIVERSAL, 1.5DIA HOLE, HEYCO#2213, SNAP-IN UL
31	6	111696	MALOCK WASHER
30	6	111695	M4 NUT
29	6	C401024	SCREW, FILISTER HD, M4X10 DIN 7985
28	4	106127	SCREW, 8-32 X 1/2, TORX/SLT PAN HD
27	6	106126	SCREW, 8-32 X 1/2, TORX/SLT PAN HD
26	1	112131	BRACKET, MOUNTING, TERMINAL BLOCK
25	1	300472	FILTER, LINE, 20A
24	1	300482	AC MOTOR DRIVE, 4 AMP
23	4	300231	TERM. FULL INSUL, FEMALE, 0.250 TAB
22	2	300419	TRANSFORMER, 24V
21	6	C4014039	LABEL BLANK, TERMINAL BLOCK, ZBF6
20	4	C4014031	JUMPER, 2 PIN
19	5	C4014033	LABEL BLANK, TERMINAL BLOCK, ZB4
18	9	C4014044	LABEL BLANK, TERMINAL BLOCK, ZB6
17	3	C4014037	DIRNRL MOUNTED FUSEHOLDER (6.9X32)
16	4	C4014006	TERMINAL BLOCK, CONDUCTOR, SPRING LOADED
15	5	C4014012	TERMINAL BLOCK, SPRING LOADED, FOUR-WIRE, BLUE
14	2	C4014031	COVER 2.5 MM2
13	5	C4014030	TERMINAL BLOCK, SPRING LOADED, 1.5MM2
12	2	111760	DIN RAIL, 8.375"
11	1	300359	POWER SUPPLY (12V)
10	2	C4014013	TERMINAL BLOCK, SPRING LOADED, FOUR WIRE
9	8	C4014010	TERMINAL, SPRING LOADED, FOUR WIRE, 2.5 MM2
8	3	C4014011	COVER, FOUR-WIRE
7	4	C4014000	SNAP-ON END BRACKET
6	1	C4014008	COVER FOUR-WIRE 2.5 MM2
5	2	C4014009	TERMINAL BLOCK, SPRING LOADED, 2.5 MM2, BLUE
4	2	C4014002	JUMPER 2-PIN
3	5	106125	SCREW, 10-32 X 1/2, TORX/ PAN HD, THRD FORMING, ZN
2	12	C4014032	SCREWED COVER STRIP, PLAIN, ZB5
1	1	112107	PANEL, ELECTRICAL COMPONENT 10.20/12.20 P3
ITEM	QTY	PART NO.	DESCRIPTION

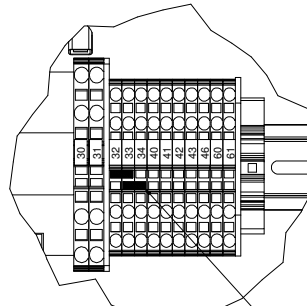
\* = NOT SHOWN  
 □ = REFERENCE

NOTES:  
 1) LABEL ALL COMPONENTS AS SHOWN USING FELT TIP PERMANENT MARKER.

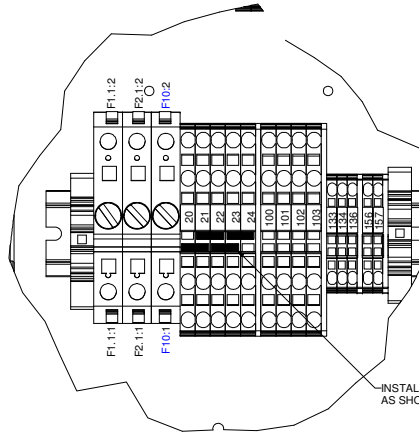
LET.	DESCRIPTION	DATE	BY
	SEE SHEET 1 OF 2		



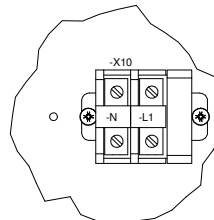
LABEL VIEW



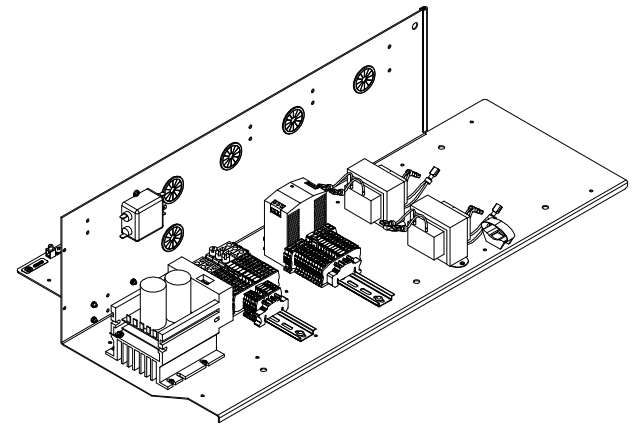
DETAIL A  
 -INSTALL JUMPERS AS SHOWN



DETAIL B  
 -INSTALL JUMPERS AS SHOWN

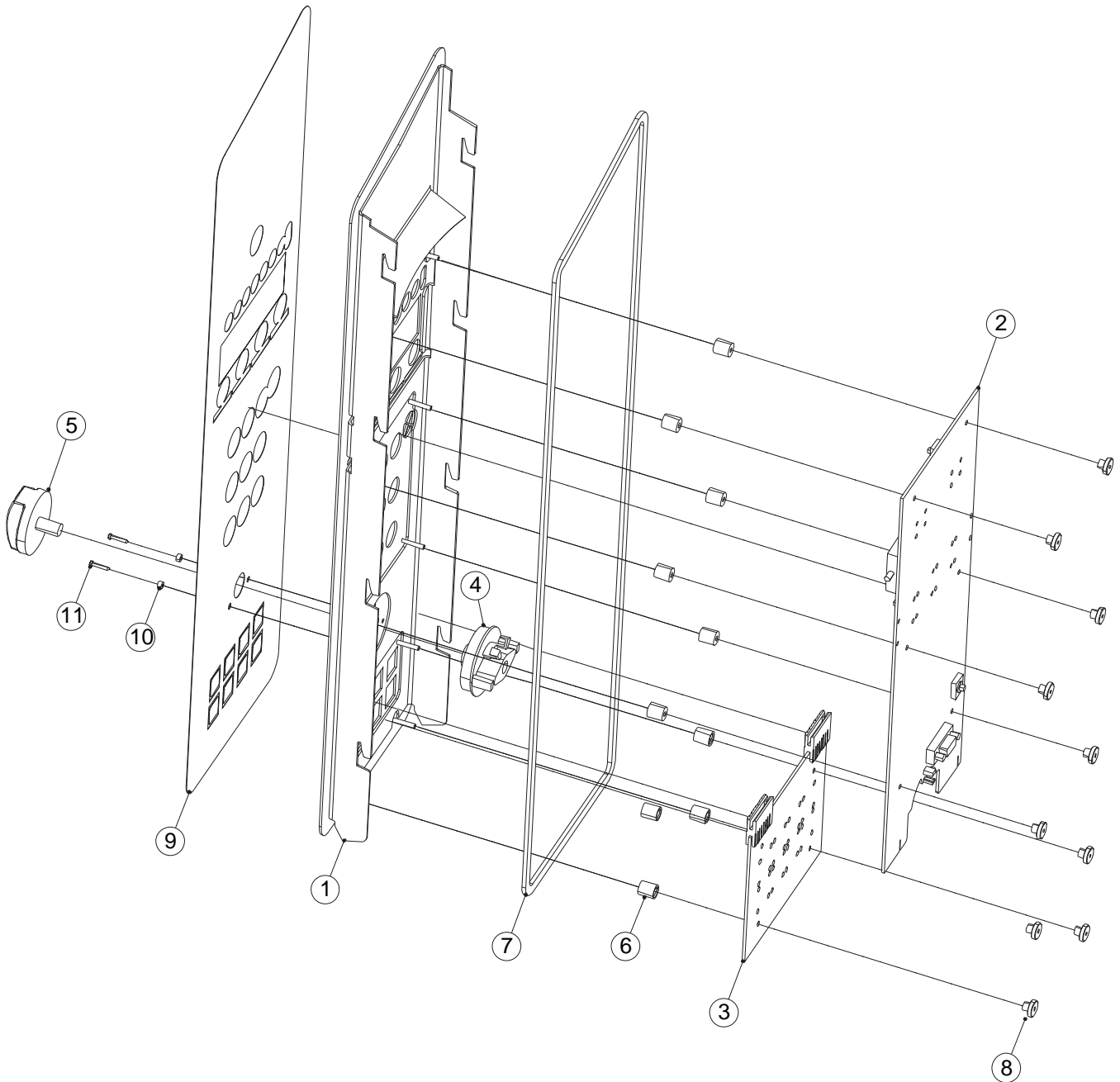


DETAIL C



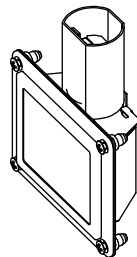
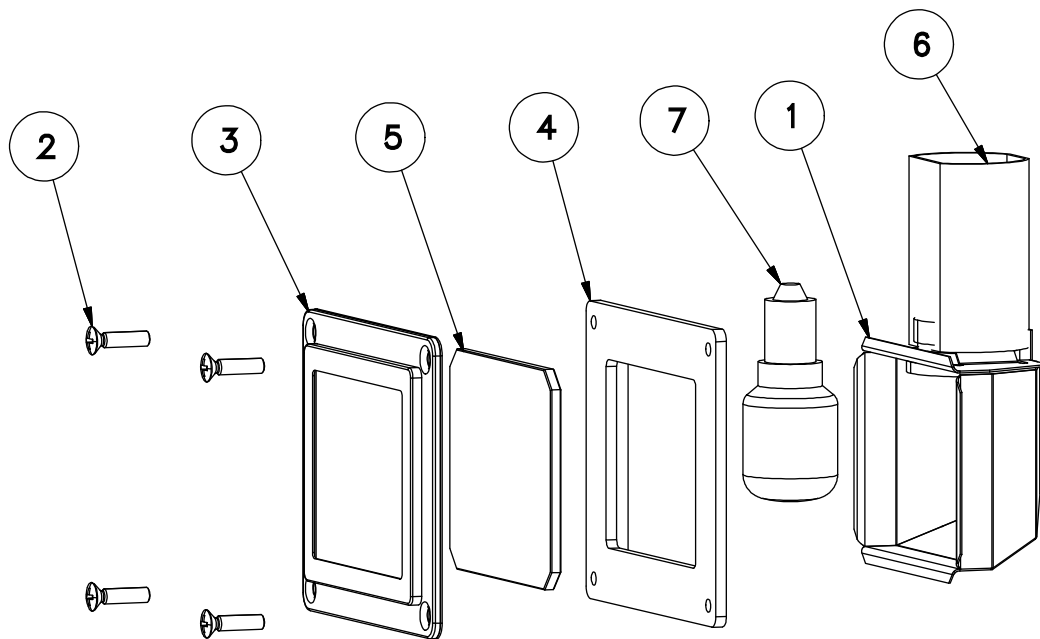
CLEVELAND RANGE, I.L.C.			
1333 East 179th St., Cleveland, Ohio 44110-2574			
THIS DOCUMENT IS UNCLASSIFIED AND IS THE PROPERTY OF CLEVELAND RANGE, INC. IT IS TO BE CONTROLLED AND NOT REPRODUCED OR DISTRIBUTED OUTSIDE THE COMPANY.			
TOLERANCES UNLESS OTHERWISE SPECIFIED	DO NOT SCALE	DRAWN BY DPeterson	DATE 10/23/2006
DECIMAL ± 0.030		TITLE INSTRUCTION, ASSEMBLY, COMPONENT PANEL, OGB 10.20/12.20	
ANGULAR ± 1°	SIZE D	DRAWING NO. 300613	SHEET 2 OF 2 REV B

# ASSEMBLY, CONTROL PANEL, WITH PICTO ALL MODELS



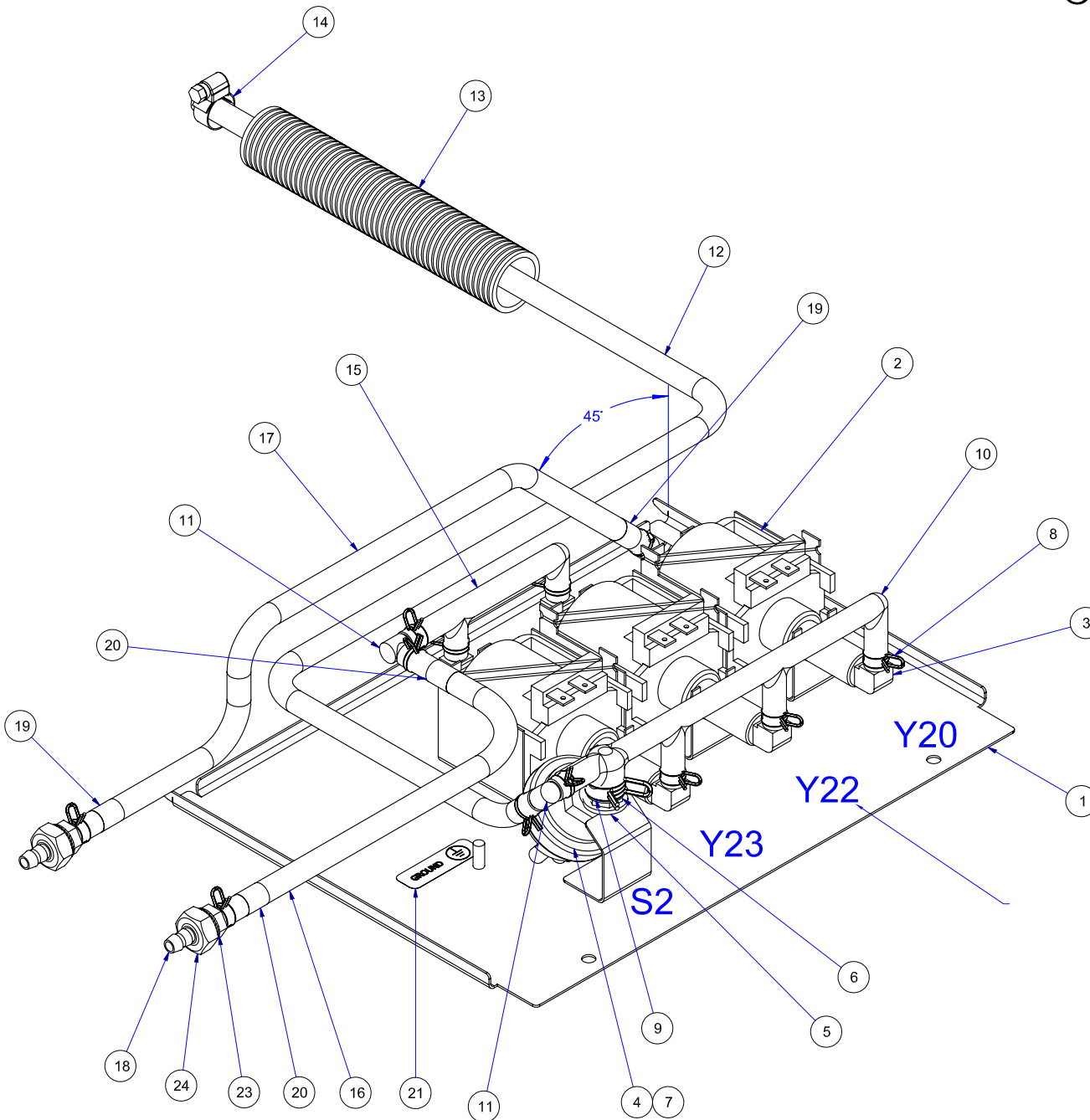
ITEM	QTY	PART NO.	DESCRIPTION
1	1	C2114297	WELDMENT CONTROL PANEL
2	1	FKC5019101-500	CONTROLLER, 5010 OPERATING MODULE
3	1	C5019105	CONTROLLER, 5010 PICTOMODULE PICTO
4	1	C5009313	LATCH ROCKER
5	1	C5009314	KNOB, SELECTOR, COMBI
6	10	C8009030	SPACER, CONTROL PANEL
7	1	C7011010	GASKET, FRONT PLATE
8	10	C6005254	NUT, KNURLED
9	1	111588	LABEL, CONTROL PANEL, STEAM GEN, WITH PICTO
	1	111590	LABEL, CONTROL PANEL, SPRITZER, WITH PICTO
10	2	C6005270	SPACER, CONTROL KNOB STOP
11	2	C8007013	SLOTTED PAN-HEAD TAPPING SCREW 2.2 X 13
12	1	300533	CABLE, CONNECTING, CONTROL (NOT SHOWN)

# LIGHT ASSEMBLY ALL MODELS



7	1	<a href="#">C5005045</a>	BULB, LIGHT, 25W, 230V (ELECTRIC UNITS)
		<a href="#">C5005043</a>	BULB, LIGHT, 25W, 120V (GAS UNITS)
6	1	<a href="#">C8019006</a>	PROTECTION CAP, CAVITY LIGHT
5	1	<a href="#">C5015002</a>	GLASS, CAVITY LIGHT
4	1	<a href="#">C6015020</a>	GASKET, CAVITY LIGHT
3	1	<a href="#">C5015003</a>	FRAME, CAVITY LIGHT
2	4	<a href="#">C8002025</a>	ROUNDED COUNTERSUNK HEAD SCREW M4X16
1	1	<a href="#">C5015001</a>	REFLECTOR HOUSING, CAVITY LIGHT
ITEM	QTY	PART NO.	DESCRIPTION

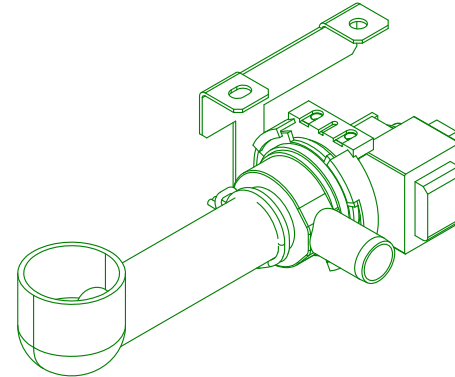
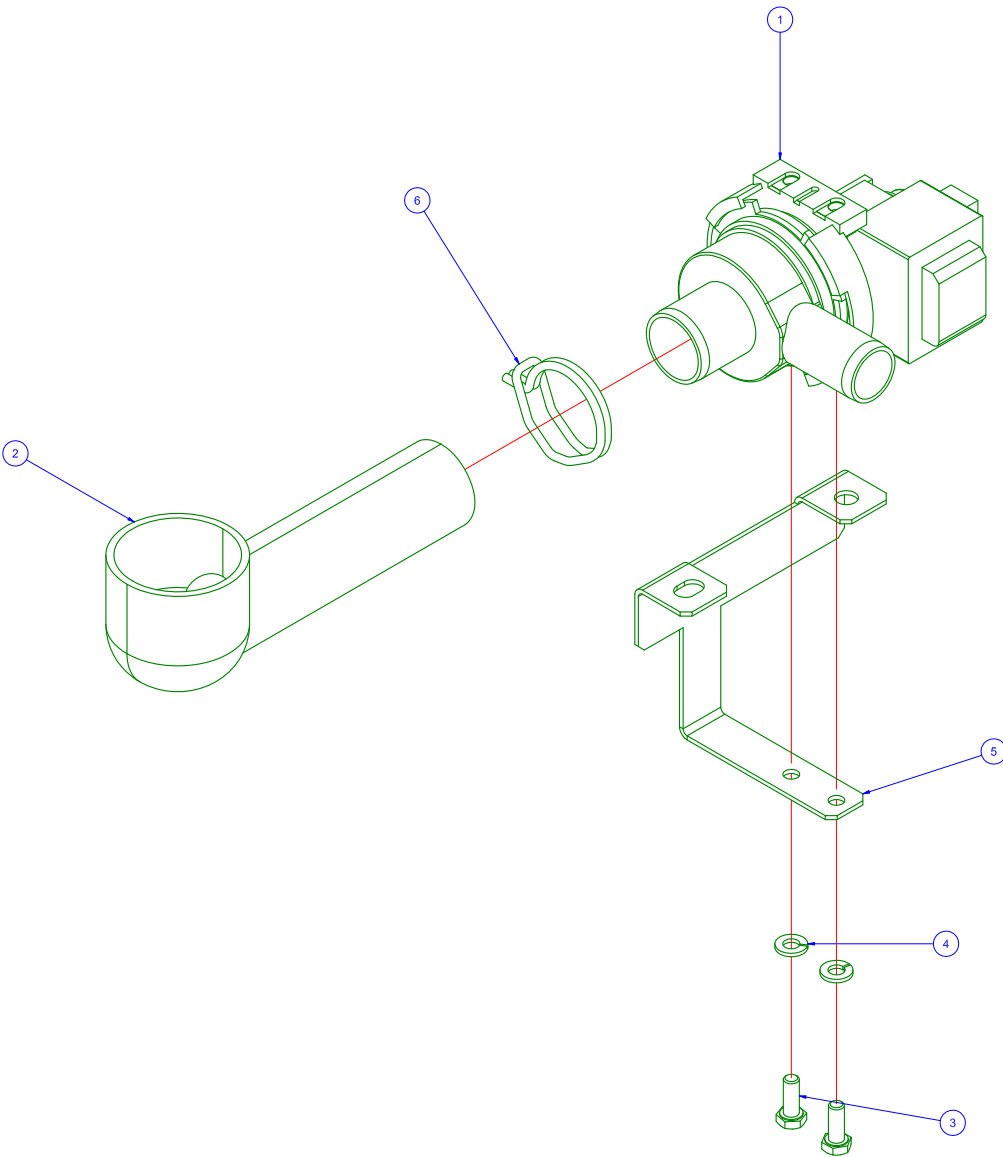
# CLEANING PUMP ASSEMBLY



1	1	C2114823	WELDMENT, PUMP HOUSING, 110V P3
2	3	300352	PUMP, OSCILLATING PISTON, 110-120VAC, 60Hz P3
3	6	105787	FITTING, HOSE BARB, 90°, 1/4 H X 1/8 NPT(M)
4	1	C5009055	SWITCH, PRESSURE, AUTO CLEANING SYSTEM, P3
5	1	C6005016	GASKET, FLAT, 18.8mm OD X 10.3mm ID X 2mm THICK
6	1	C6015229	BUSHING, THREADED, PRESSURE SWITCH P3
7	A/R	111568	THREAD SEALANT, (LOCTITE 577)
8	12	C8009058	CLAMP, HOSE, SPRING, DOUBLE WIRE, 9.1 - 9.6 mm (0.358 - 0.378 in)
9	1	C8019010	CLAMP, HOSE, SPRING, DOUBLE WIRE, 14.1 - 14.8 mm (0.555 - 0.583 in)
10	1	C6014000	MANIFOLD, DISCHARGE, CLEANING PUMPS, EPDM
11	2	C6005414	FITTING, HOSE, 90 DEGREE ELBOW, 6mm BARB X 6mm BARB, PLASTIC (POM)
12	1	C701230265000	HOSE, EPDM, 6mm ID X 10mm OD, 65.000" LONG
13	1	C700204433500	HOSE, PROTECTION, 28mm OD X 23mm ID, CUT 33-1/2" LONG
14	1	106526	CLAMP, HOSE, WORM DRIVE, 3/8 TO 5/8x5/16W, SST
15	1	C6014001	MANIFOLD, SUCTION, CLEANING PUMPS, EPDM
16	1	C701230239500	HOSE, EPDM, 6mm ID X 10mm OD, 39.500" LONG
17	1	C701230245500	HOSE, EPDM, 6mm ID X 10mm OD, 45.500" LONG
18	2	C6015247	FITTING, BULKHEAD, HOSE, 6mm ID
19	2	C6019111	LABEL, BLUE, CONVOCARE, CLEANER HOSE
20	2	C6019109	LABEL, RED, CONVOCLEAN, CLEANER HOSE
21	1	14897	LABEL, GROUND
22	1	C5215890	HARNES, WIRE, CLEANING, 20.20
23	2	C8006063	WASHER, BELLEVILLE, M10, SERRATED BOTH SIDES, SST, 10.5mm ID X 16mm OD X 1mm THICK
24	2	111540	NUT, HEX, M10 X 1.5 (DIN 934), STAINLESS STEEL
25	1	14672	NUT, HEX, NYLOK, 10-32, ZP (FOR GROUND WIRE)
26	3	078180-1	O-RING
ITEM	QTY	PART NO.	DESCRIPTION

# Complete assembly S113231

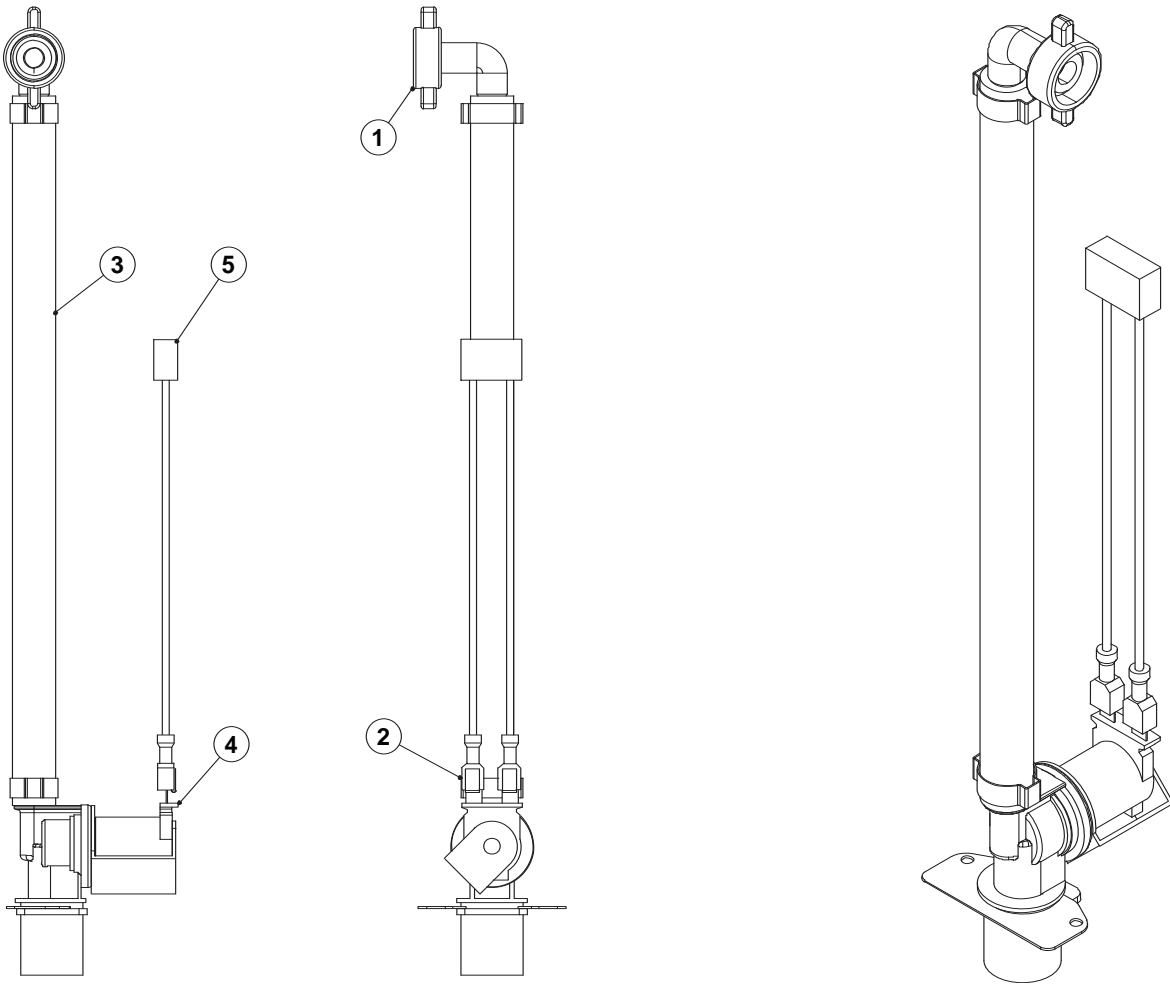
If pump is not white order S113231



1	300753	Drain Pump 120 v
2	C6015101	Drain Elbow
3	C8003043	Hex Bolt M6x16
4	23105	Lock Washer
5	113269	Pump Bracket
6	107481	Hose Clamp

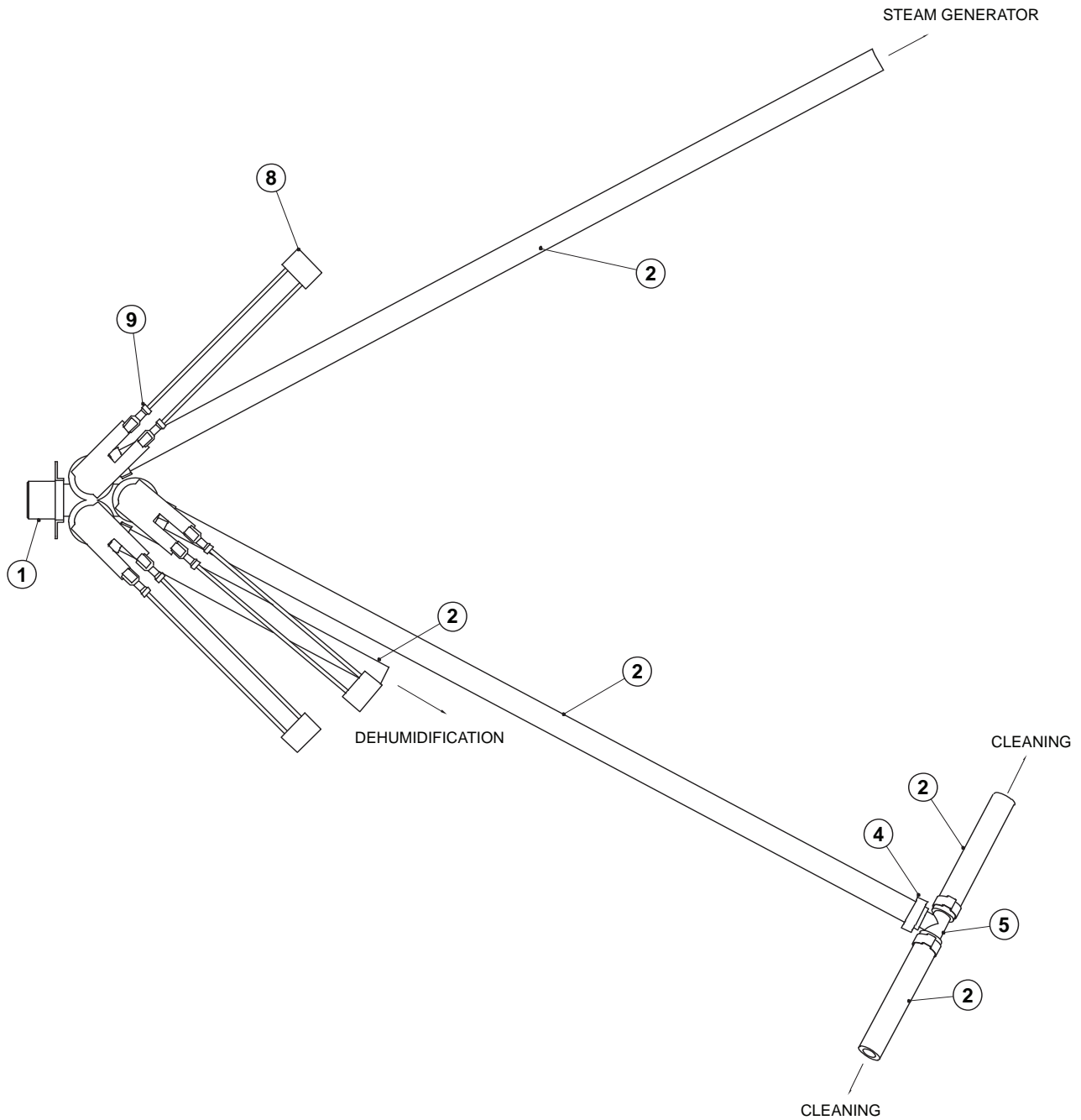
# ASSEMBLY, WATER HOSE SYSTEM, CONDENSER

ALL MODELS



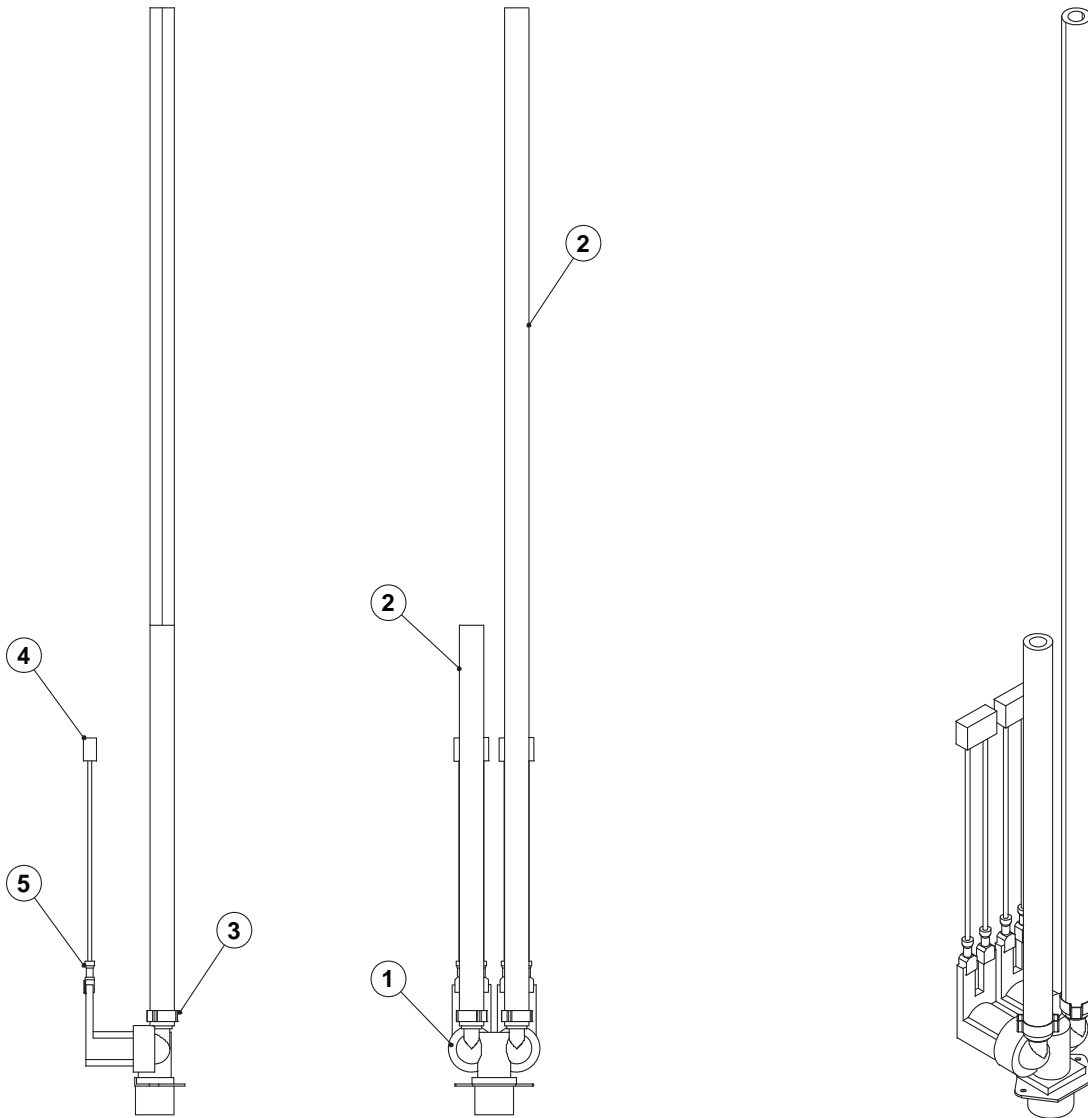
ITEM	QTY	PART NO.	DESCRIPTION
1	1	C6015215	ELBOW, HOSE CONNECTION, 3/8" WITH SEAL
2	2	111647	CLAMP, OETIKER, S/S, 19/32"
3	1	11149811000	HOSE, SILICONE, 3/8" ID X 11.000
4	1	300455	VALVE ASSEMBLY, 1 WAY, 120 VAC
5	1	300407	FILTER, ELECTRICAL
6	2	300509	TERMINAL, 18-22 AWG PIGGY BACK

# ASSEMBLY, WATER VALVE



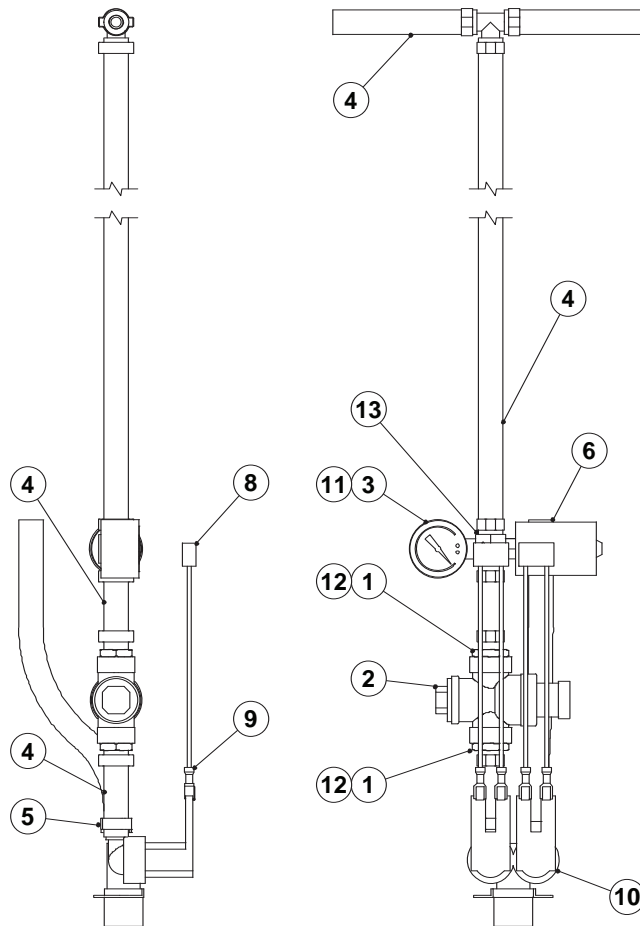
ITEM	QTY	PART NO.	DESCRIPTION
1	1	300453	VALVE ASSEMBLY, 3WAY 240VAC
1	1	300363	VALVE ASSEMBLY, 3WAY 120 VAC
2	5	111498	HOSE, SILICONE, 3/8" ID (SPECIFY LENGTH)
4	6	111647	CLAMP, OETIKER, S/S, 19/32"
5	1	111646	TEE, BRASS, 3/8" BRASS
8	3	300407	FILTER, ELECTRICAL
9	6	300509	TERMINAL, 18-22 AWG PIGGY BACK

# ASSEMBLY, WATER VALVE



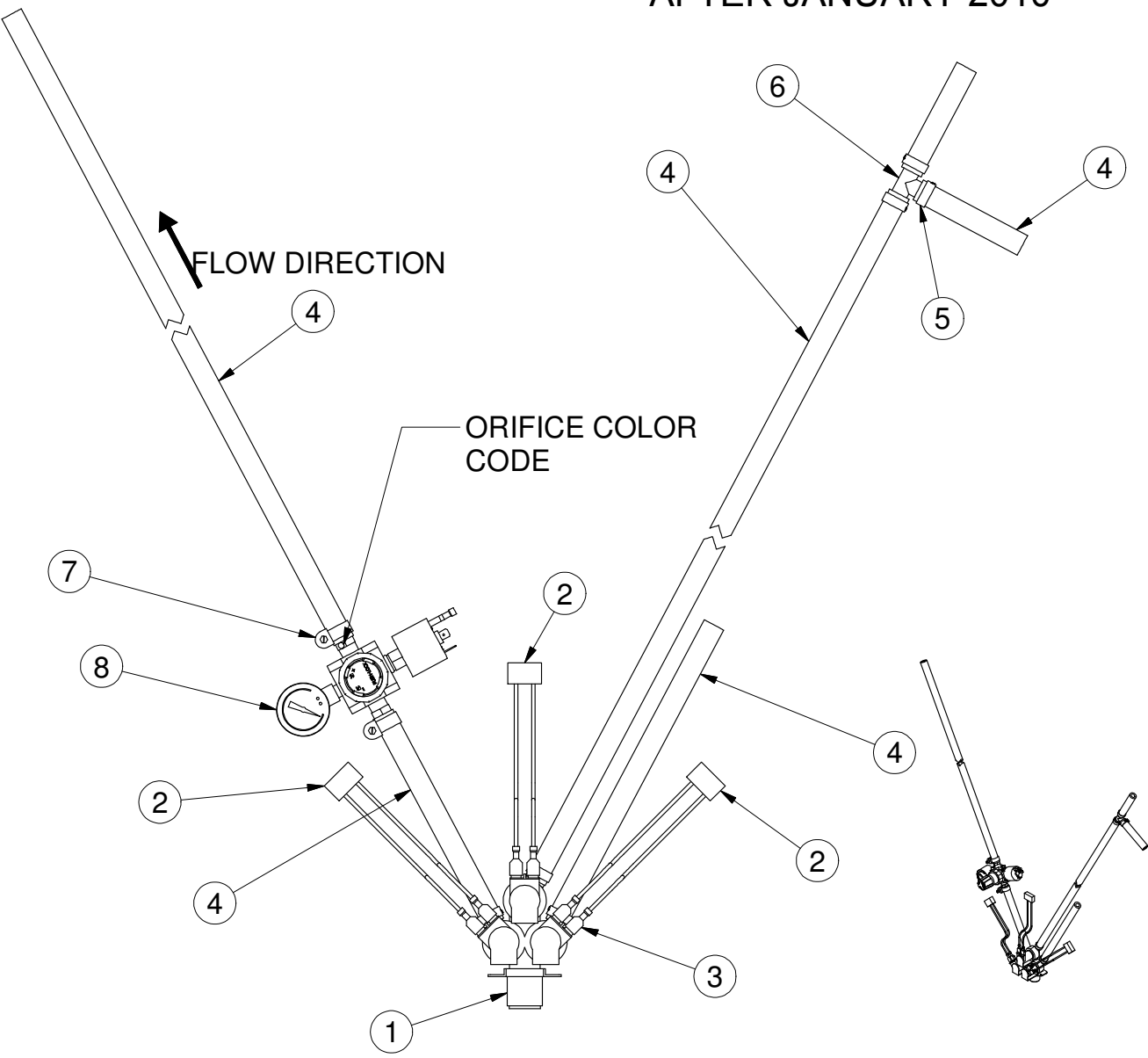
ITEM	QTY	PART NO.	DESCRIPTION
1	1	300456	VALVE ASSY. 2 WAY 120VAC
2	2	111498	HOSE, SILICONE, 3/8" ID (SPECIFY LENGTH)
3	2	111647	CLAMP, OETIKER, S/S, 19/32"
4	2	300407	FILTER, ELECTRICAL
5	4	300509	TERMINAL, 18-22 AWG PIGGY BACK

# ASSEMBLY, WATER VALVE



ITEM	QTY	PART NO.	DESCRIPTION
1	2	C6015401	BARB, 1/2 R X 3/8 HOSE
2	1	C5001085	PRESSURE REGULATING VALVE ODGAS
3	1	C6006140	GAUGE, 60 PSI BOTTOM MOUNT
4	6	111498	HOSE, SILICONE, 3/8" ID (SPECIFY LENGTH)
5	9	111647	CLAMP, OETIKER, S/S, 19/32"
6	1	C5009063	PUSH BUTTON SWITCH, INJ, (CHANGE-OVER CONTACT)
8	2	300407	FILTER, ELECTRICAL
9	4	300509	TERMINAL, 18-22 AWG PIGGY BACK
10	1	300456	VALVE ASSY. 2 WAY 120VAC
11	A/R	00945	TAPE, TEFLON, 1/2"
12	A/R	111651	SEALANT, LOCTITE, WHITE, DRI-SEAL, 513
13	1	C6015234	CROSS, 3/8 HOSE BARB
16	1	111646	TEE, BRASS, 3/8" BRASS

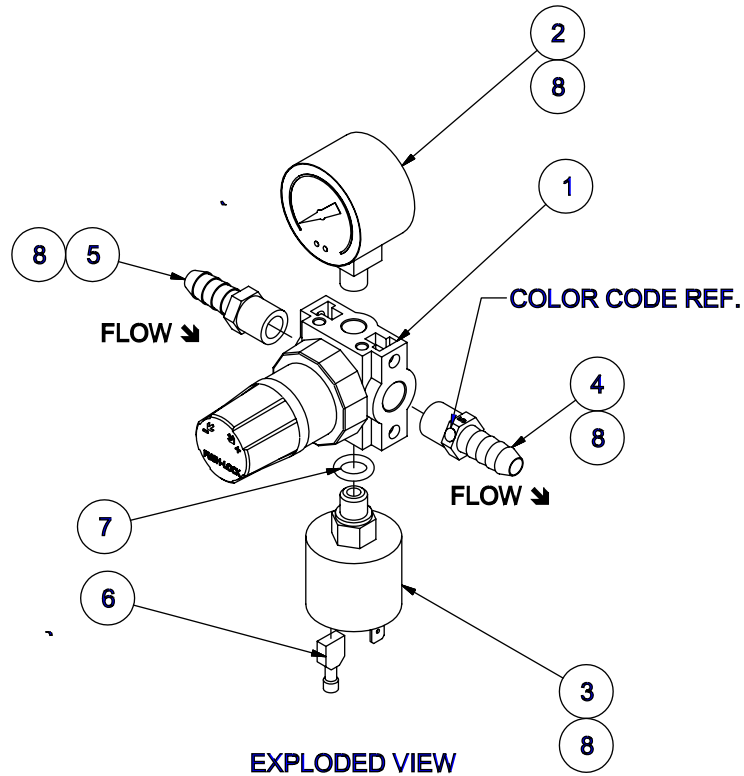
# WATER VALVE ASSEMBLY OES & OGS MODELS AFTER JANUARY 2010



ITEM	QTY	PART NO.	DESCRIPTION
1	1	300453 300363	VALVE, SOLENOID, 3 WAY, 240VAC VALVE, SOLENOID, 3 WAY, 120VAC
2	3	300407	FILTER, ELECTRICAL, RC NETWORK, 125 VAC, 200 VDC
3	6	300509	TERMINAL, SLIPON, INSUL., 18-22 AWG, PIGGYBACK
4	7	111498	HOSE, SILICONE, 0.375" ID X 0.655" OD
5	6	C6016070	CLAMP, HOSE, 0.630" - 0.756", SST, OETIKER
6	1	111646	TEE, HOSE BARB, BRASS, 3/8"H X 3/8"H X 3/8"H
7	2	C6006086	HOSE CLAMP, 1/2" 12-20 MM, 15 MM ADJUSTED
8	1	SEE DRAWING	REGULATOR ASSEMBLY, W / ORIFICE, COMBI

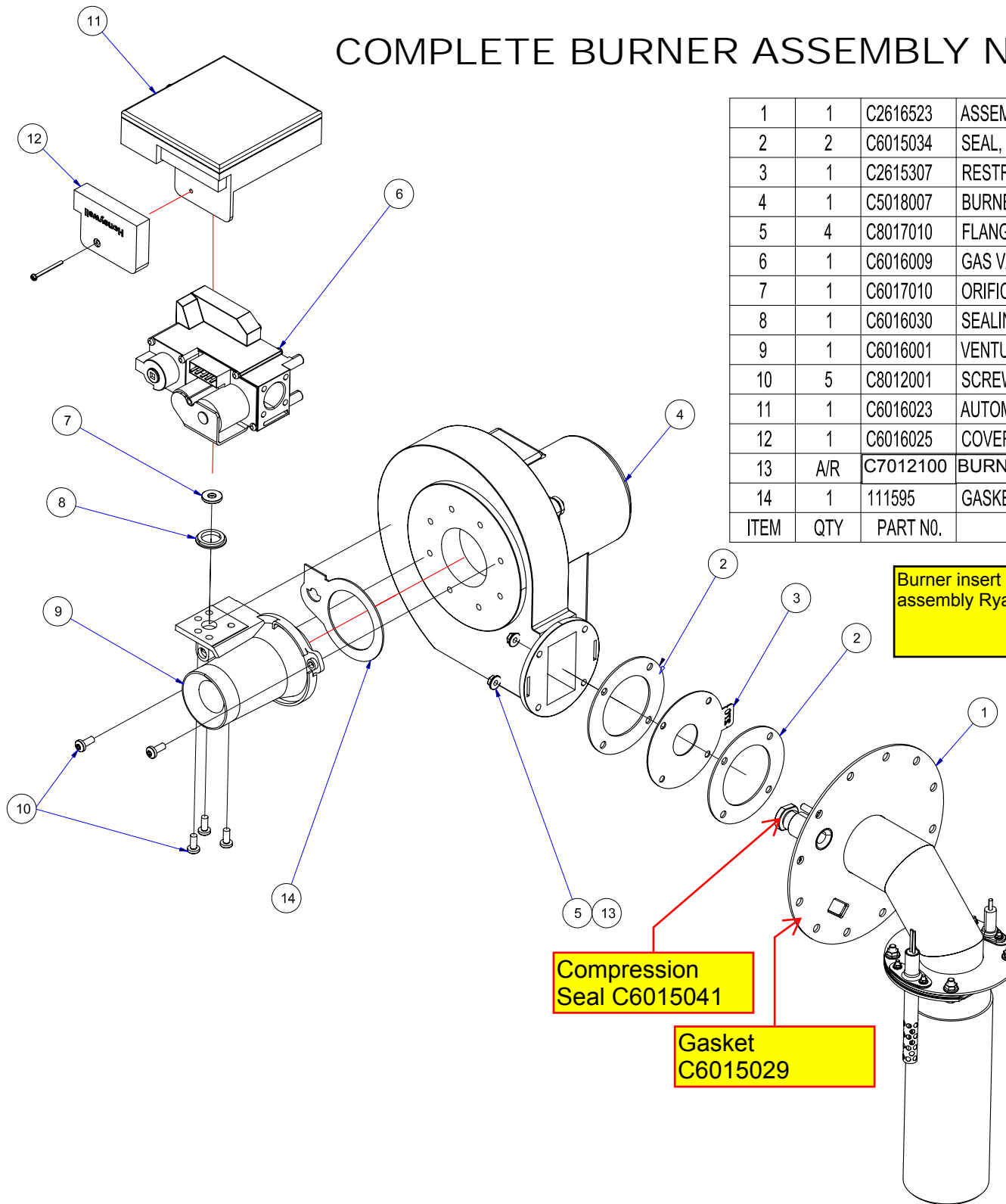
# REGULATOR ASSEMBLY

ASSEMBLY PART NO.	ORIFICE FTG. PN.	ORIFICE SIZE	COLOR CODE	
FK1132281	1132301	0.5mm	RED	3.10
FK1132282	1132302	0.6mm	BLUE	6.20/10.10/10.20
FK1132283	1132303	0.7mm	YELLOW	12.20
FK1132284	1132304	1.0mm	GREEN	20.20



8	A/R	111651	SEALANT, LOCTITE, WHITE, HIGH TEMP, DRI-SEAL 513
7	1	113236	O-RING, 3/8"ID X 9/16"OD X 3/32"THK, BUNA-N
6	1	20356	SLIP-ON FULL INSULATED, FEMALE, 0.032 X 0,250
5	1	105277	FTG, HOSE BARB, 3/8 H X 1/4 NPT, BR
4	1	SEE CHART	FTG, HOSE BARB, 3/8H X 1/4NPT, BR; W/ORIFICE
3	1	C5009063	SWITCH, PRESSURE, INJECTOR SYSTEM
2	1	C6006140	GAUGE, PRESSURE, 0 -60 PSI (4 BAR) 1/8" BPP BOTTOM CONNECTION
1	1	113229	REGULATOR, 0-60PSIG, 1/4"NPT
ITEM	QTY	PART NO.	DESCRIPTION

# COMPLETE BURNER ASSEMBLY NAT



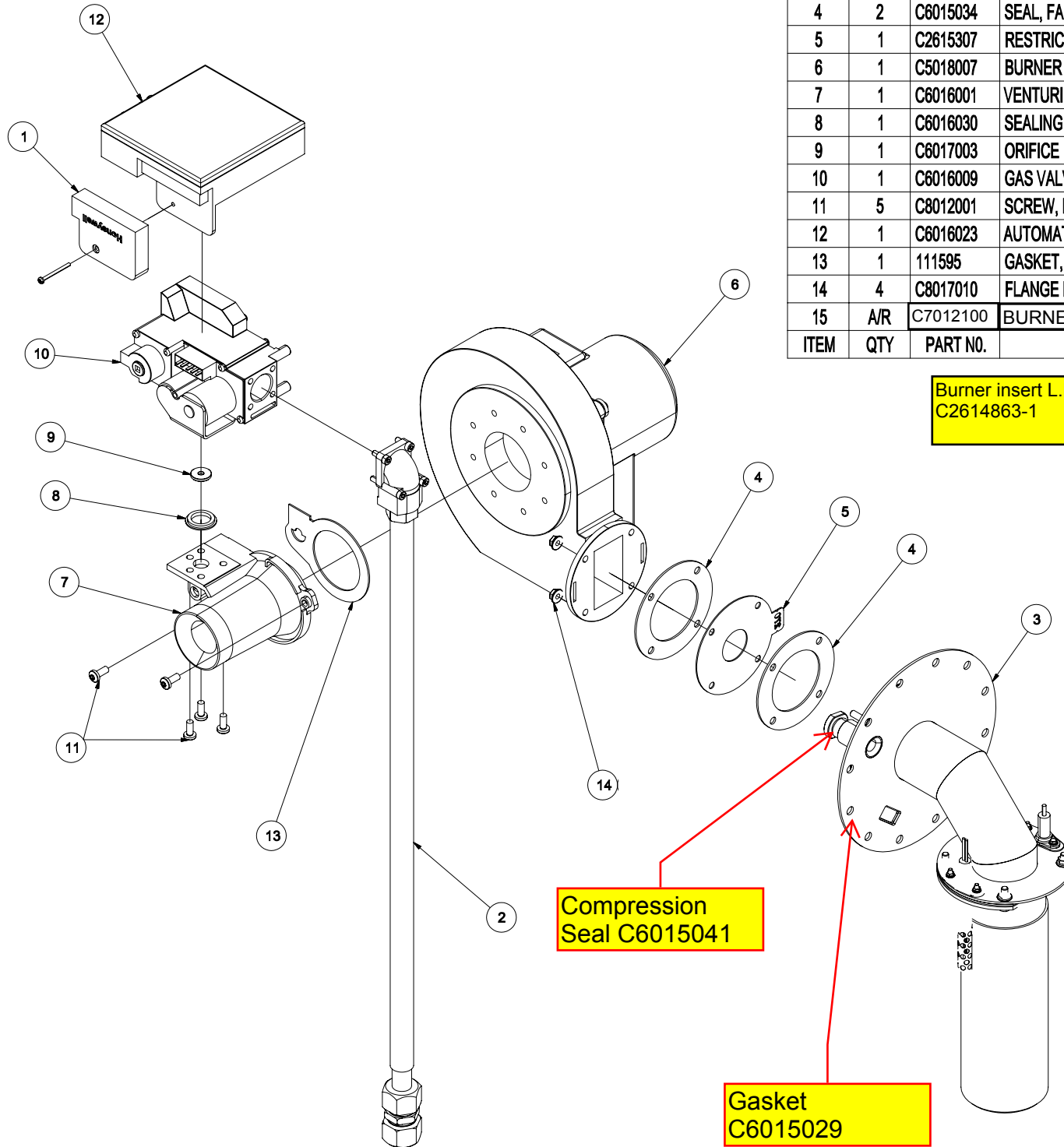
1	1	C2616523	ASSEMBLY, BURNER INSERT, HOT AIR, 10.20/12.20/20.20
2	2	C6015034	SEAL, FAN RG128/148 P3
3	1	C2615307	RESTRICTION FLANGE RG148 Ø270
4	1	C5018007	BURNER BLOWER RG148 110V
5	4	C8017010	FLANGE NUT, M5, A4, P3
6	1	C6016009	GAS VALVE, HONEYWELL, 110V, P3
7	1	C6017010	ORIFICE, Ø6.20
8	1	C6016030	SEALING RING, GAS SCREEN, P3
9	1	C6016001	VENTURI 56 KW P3
10	5	C8012001	SCREW, M5x12, FILLISTER HD, TORX
11	1	C6016023	AUTOMATIC FIRING DEVICE, 110V, AUTO-IGNITION, P3
12	1	C6016025	COVER, AUTOMATIC FIRING DEVICE
13	A/R	C7012100	BURNER INTAKE HOSE (NOT SHOWN)
14	1	111595	GASKET, CORK, BURNER VENTURI, COMBI
ITEM	QTY	PART NO.	DESCRIPTION

Burner insert Natural Gas (complete assembly Ryan) C2614863

Compression Seal C6015041

Gasket C6015029

# COMPLETE BURNER ASSEMBLY LP



1	1	C6016025	COVER, AUTOMATIC FIRING DEVICE
2	1	C2616516	GAS HOSE, 580 LG, PREASSEMBLED
3	1	C2616523	ASSEMBLY, BURNER INSERT, HOT AIR, 10.20/12.20/20.20
4	2	C6015034	SEAL, FAN RG128/148 P3
5	1	C2615307	RESTRICTION FLANGE RG148 Ø270
6	1	C5018007	BURNER BLOWER RG148 110V
7	1	C6016001	VENTURI 56 KW P3
8	1	C6016030	SEALING RING, GAS SCREEN, P3
9	1	C6017003	ORIFICE Ø440 P3
10	1	C6016009	GAS VALVE, HONEYWELL, 110V, P3
11	5	C8012001	SCREW, M5x12, FILLISTER HD, TORX
12	1	C6016023	AUTOMATIC FIRING DEVICE, 110V, AUTO-IGNITION, P3
13	1	111595	GASKET, CORK, BURNER VENTURI, COMBI
14	4	C8017010	FLANGE NUT, M5, A4, P3
15	A/R	C7012100	BURNER INTAKE HOSE (NOT SHOWN)
ITEM	QTY	PART NO.	DESCRIPTION

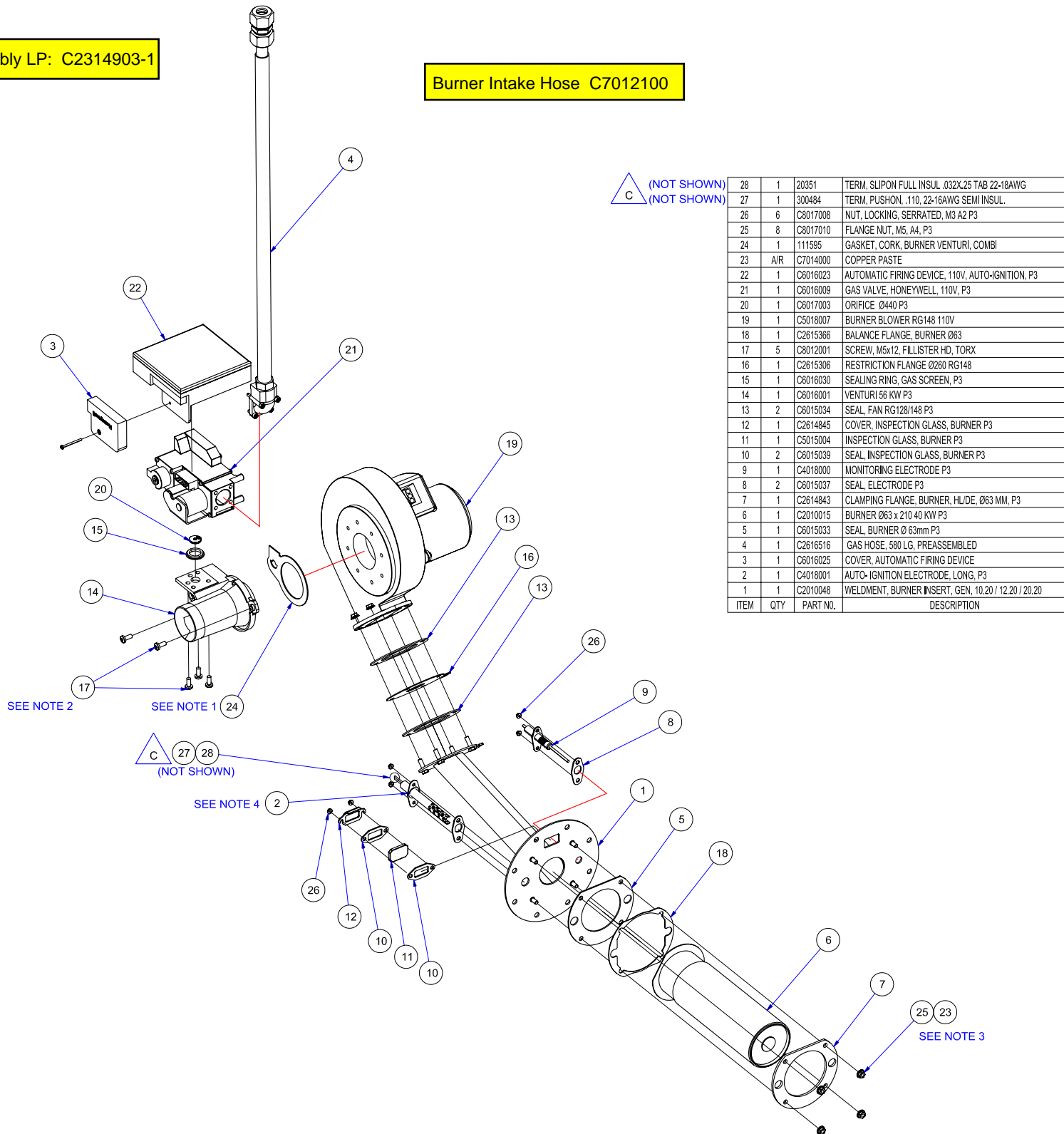
**Burner insert L.P. (complete assembly Ryan)**  
**C2614863-1**

**Compression Seal C6015041**

**Gasket C6015029**

Complete Assembly LP: C2314903-1

Burner Intake Hose C7012100

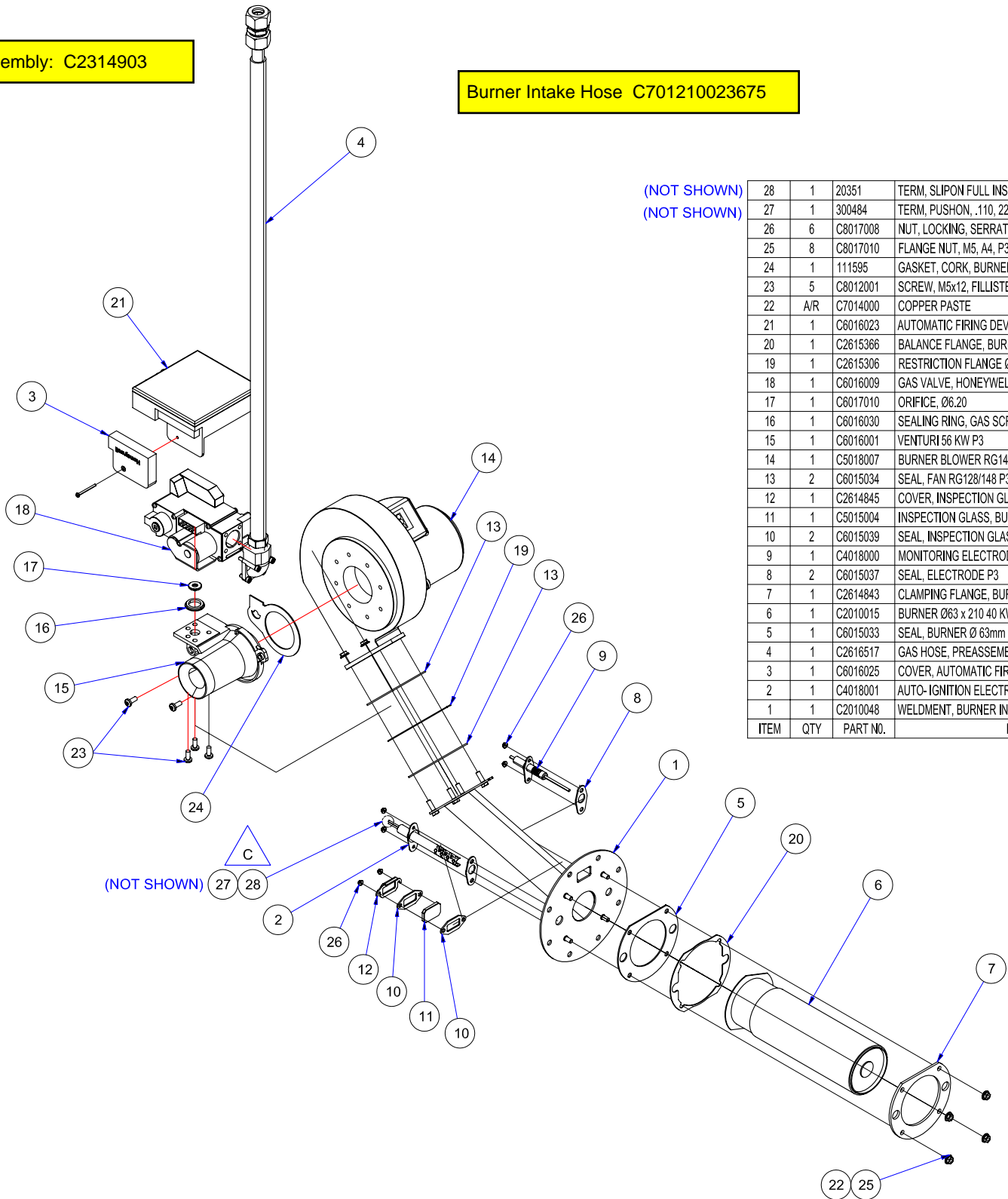


△ C (NOT SHOWN)  
△ (NOT SHOWN)

ITEM	QTY	PART NO.	DESCRIPTION
28	1	20351	TERM. SLIPON FULL INSUL .032X.25 TAB 22-18AWG
27	1	300484	TERM. PUSHON, .110, 22-16AWG SEMI INSUL.
26	6	C8017008	NUT, LOCKING, SERRATED, M3 A2 P3
25	8	C8017010	FLANGE NUT, M5, A4, P3
24	1	111595	GASKET, CORK, BURNER VENTURI, COMBI
23	A/R	C7014000	COPPER PASTE
22	1	C6016023	AUTOMATIC FIRING DEVICE, 110V, AUTO-IGNITION, P3
21	1	C6016009	GAS VALVE, HONEYWELL, 110V, P3
20	1	C6017003	ORIFICE Ø440 P3
19	1	C5018007	BURNER BLOWER RG148 110V
18	1	C2615386	BALANCE FLANGE, BURNER Ø63
17	5	C8012001	SCREW, M5x12, FILLISTER HD, TORX
16	1	C2615306	RESTRICTION FLANGE Ø280 RG148
15	1	C6016030	SEALING RING, GAS SCREEN, P3
14	1	C6016001	VENTURI 56 KW P3
13	2	C6015034	SEAL, FAN RG128/148 P3
12	1	C2614845	COVER, INSPECTION GLASS, BURNER P3
11	1	C5015004	INSPECTION GLASS, BURNER P3
10	2	C6015039	SEAL, INSPECTION GLASS, BURNER P3
9	1	C4018000	MONITORING ELECTRODE P3
8	2	C6015037	SEAL, ELECTRODE P3
7	1	C2614843	CLAMPING FLANGE, BURNER, HL/DE, Ø63 MM, P3
6	1	C2010015	BURNER Ø63 x 210.40 KW P3
5	1	C6015033	SEAL, BURNER Ø 63mm P3
4	1	C2616516	GAS HOSE, 580 LG, PREASSEMBLED
3	1	C6016025	COVER, AUTOMATIC FIRING DEVICE
2	1	C4018001	AUTO-IGNITION ELECTRODE, LONG, P3
1	1	C2010048	WELDMENT, BURNER INSERT, GEN, 10.20 / 12.20 / 20.20

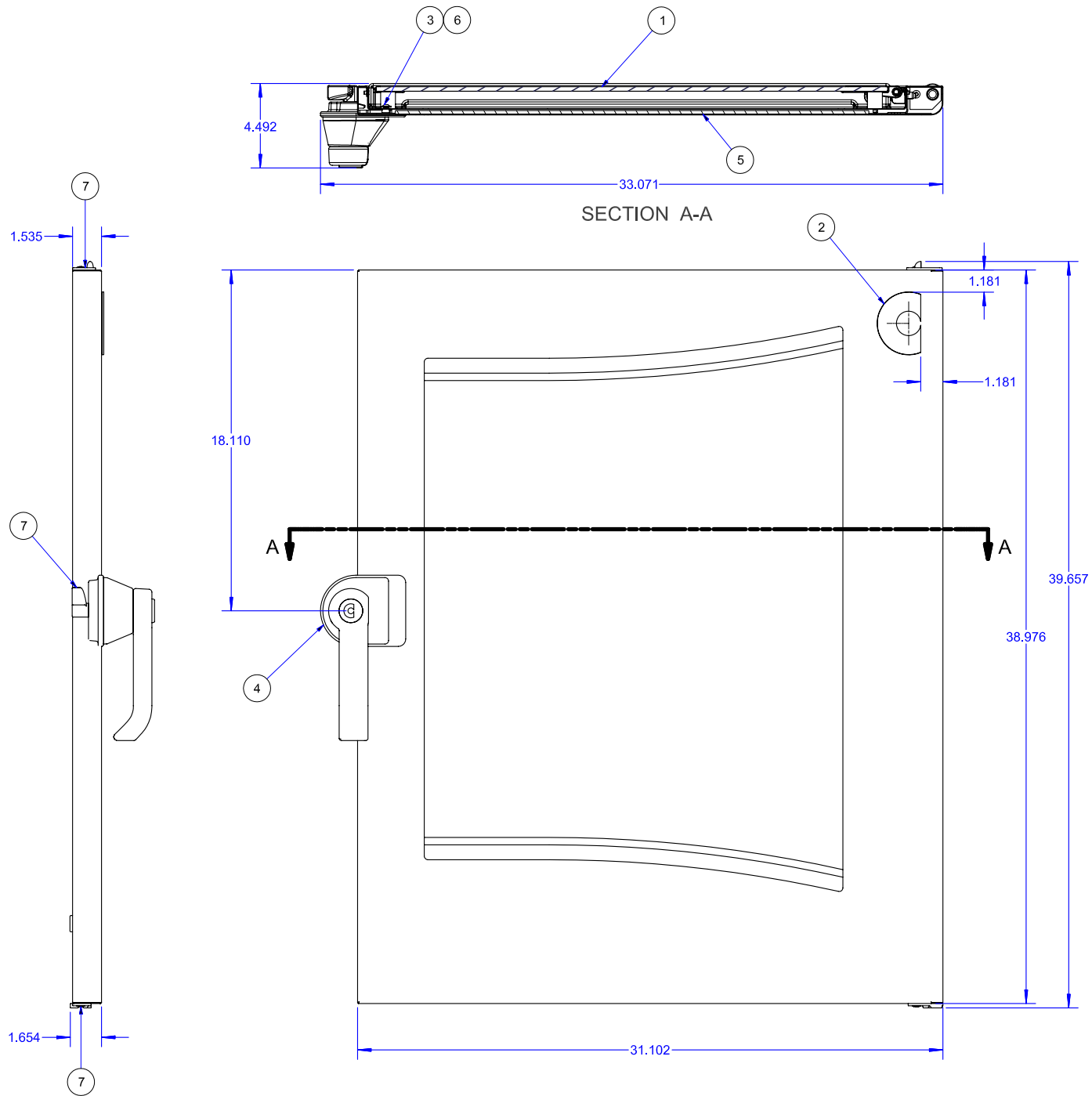
Complete Assembly: C2314903

Burner Intake Hose C701210023675



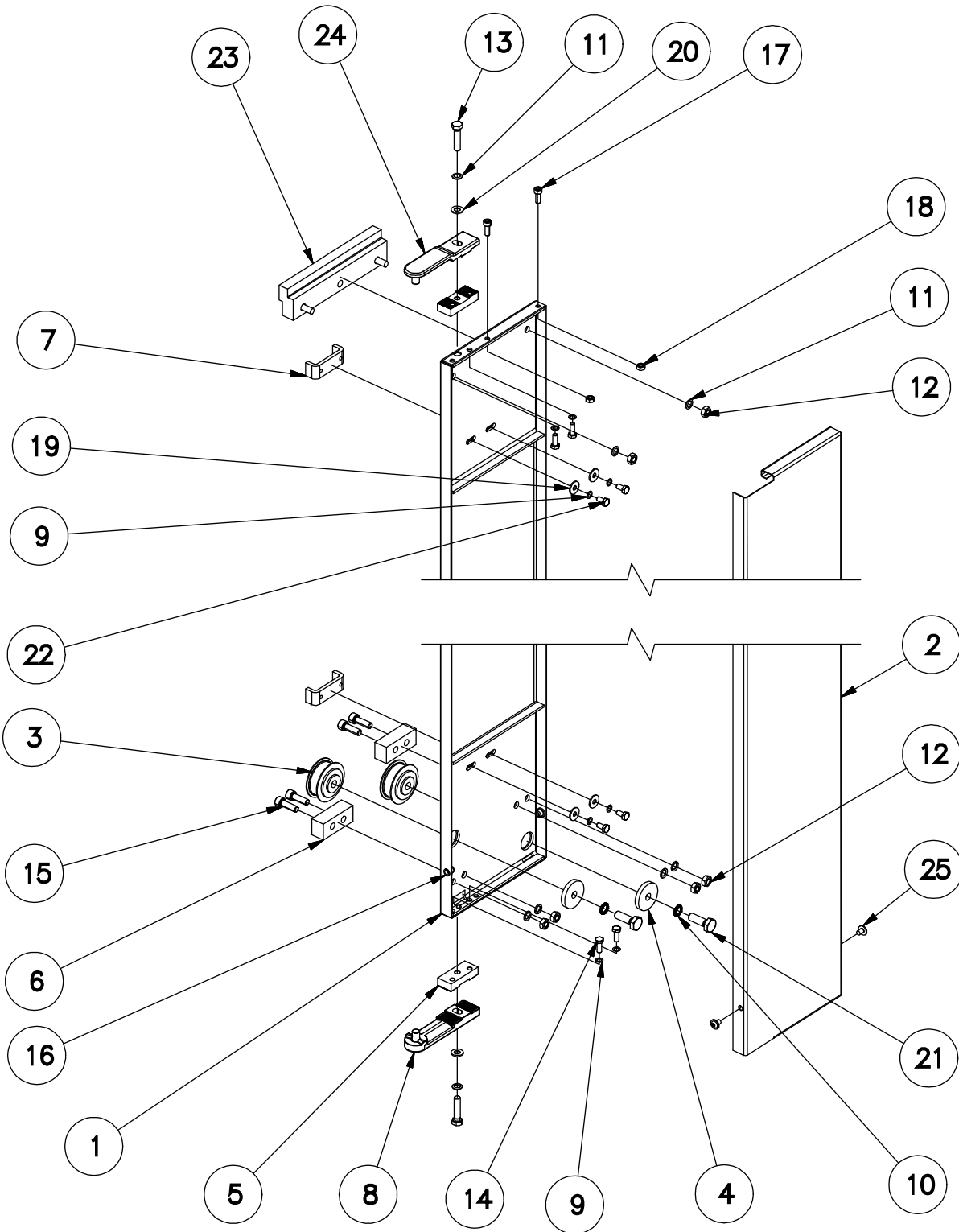
(NOT SHOWN)  
(NOT SHOWN)

ITEM	QTY	PART NO.	DESCRIPTION
28	1	20351	TERM, SLIPON FULL INSUL .032X.25 TAB 22-18AWG
27	1	300484	TERM, PUSHON, .110, 22-16AWG SEMI INSUL.
26	6	C8017008	NUT, LOCKING, SERRATED, M3 A2 P3
25	8	C8017010	FLANGE NUT, M5, A4, P3
24	1	111595	GASKET, CORK, BURNER VENTURI, COMBI
23	5	C8012001	SCREW, M5x12, FILLISTER HD, TORX
22	A/R	C7014000	COPPER PASTE
21	1	C6016023	AUTOMATIC FIRING DEVICE, 110V, AUTO-IGNITION, P3
20	1	C2615366	BALANCE FLANGE, BURNER Ø63
19	1	C2615306	RESTRICTION FLANGE Ø260 RG148
18	1	C6016009	GAS VALVE, HONEYWELL, 110V, P3
17	1	C6017010	ORIFICE, Ø6.20
16	1	C6016030	SEALING RING, GAS SCREEN, P3
15	1	C6016001	VENTURI 56 KW P3
14	1	C5018007	BURNER BLOWER RG148 110V
13	2	C6015034	SEAL, FAN RG128/148 P3
12	1	C2614845	COVER, INSPECTION GLASS, BURNER P3
11	1	C5015004	INSPECTION GLASS, BURNER P3
10	2	C6015039	SEAL, INSPECTION GLASS, BURNER P3
9	1	C4018000	MONITORING ELECTRODE P3
8	2	C6015037	SEAL, ELECTRODE P3
7	1	C2614843	CLAMPING FLANGE, BURNER, HL/DE, Ø63 MM, P3
6	1	C2010015	BURNER Ø63 x 210 40 KW P3
5	1	C6015033	SEAL, BURNER Ø 63mm P3
4	1	C2616517	GAS HOSE, PREASSEMBLED, 780mm LONG
3	1	C6016025	COVER, AUTOMATIC FIRING DEVICE
2	1	C4018001	AUTO-IGNITION ELECTRODE, LONG, P3
1	1	C2010048	WELDMENT, BURNER INSERT, GEN, 10.20 / 12.20 / 20.20



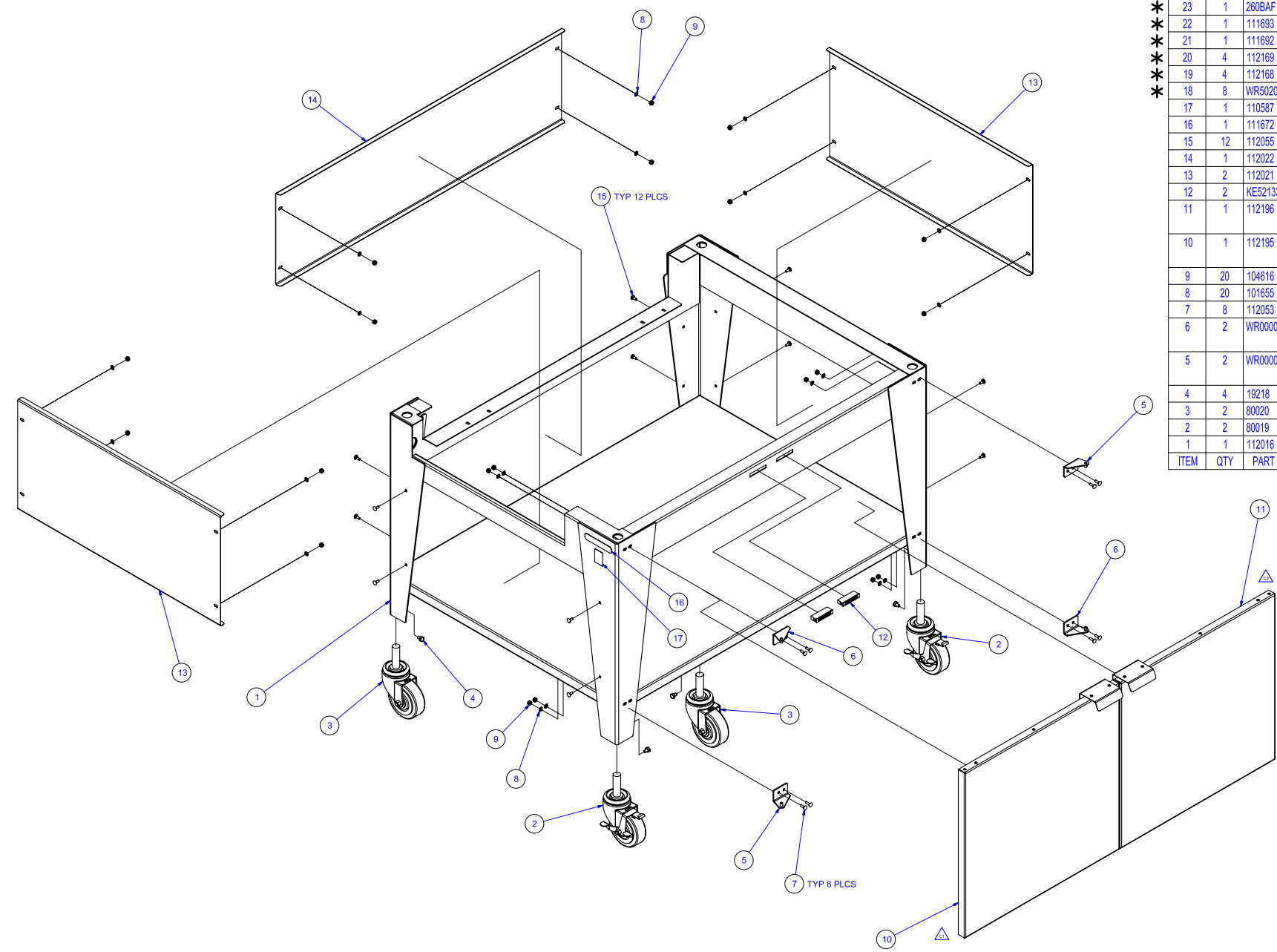
7	A/R	C7003087	GREASE - FRONT DOORS OD P2 P3
6	A/R	C7004012	LOCTITE 243 P3
5	1	C2514360	OUTER DOOR, 10.20 COMPLETE P3
4	1	C6012000	DOOR HANDLE, LOCKING, P3
3	2	C8015000	MLF SCREW M6X8 A2 P3
2	1	C6009016	PLASTIC LETTER "C" RED
1	1	C2518468	INNER DOOR, 10.20 COMPLETE P3
ITEM	QTY	PART NO.	DESCRIPTION

# SLIDING PLATE ASSEMBLY

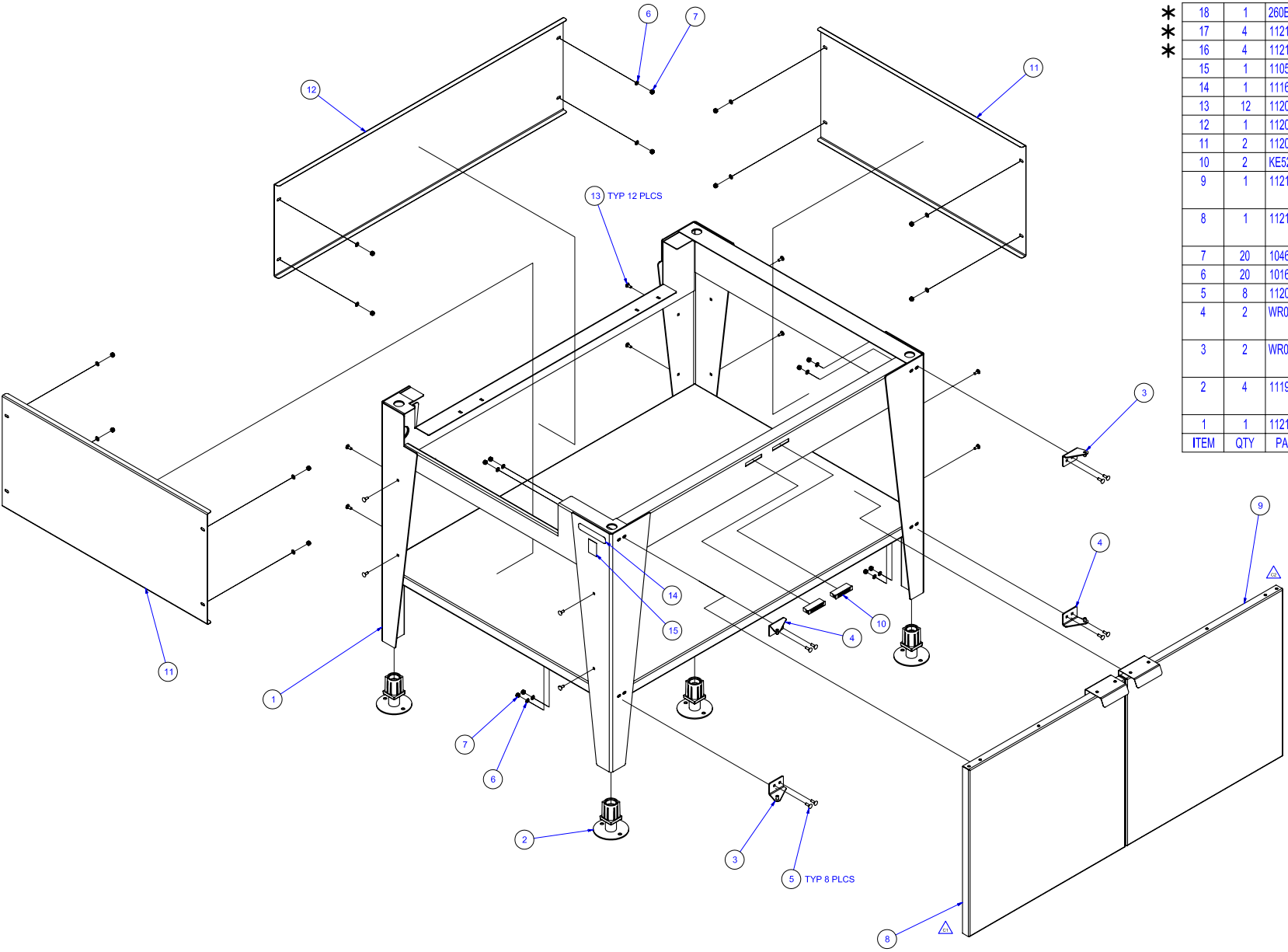


# SLIDING PLATE ASSEMBLY

ITEM	QTY	PART NO.	DESCRIPTION
1	1	113069	SLIDING PLATE WELDMENT, 6.10
		113070	SLIDING PLATE WELDMENT, 10.10/10.20
		113071	SLIDING PLATE WELDMENT, 6.20
		113072	SLIDING PLATE WELDMENT, 12.20
		113073	SLIDING PLATE WELDMENT, 20.10/20.20
2	1	C2114815	COVER PANEL, 6.10
		C2114816	COVER PANEL, 6.20
		C2114817	COVER PANEL, 10.10/10.20
		C2114818	COVER PANEL, 12.20
		C2114819	COVER PANEL, 20.10/20.20
3	2	C6012017	ROLLER, ASSEMBLY, DOOR GUIDE
4	2	C6012005	DISC Ø39 x 6 RST P3
5	2	C2014008	LOCKING BLOCK, CARRIAGE PLATE, P3
6	2	C6015226	LOCKING BLOCK RST
7	2	C6012006	DOOR STOP, RST P3
8	1	C2013012	HINGE, DOOR, BOTTOM, CAST
9	8	C8006057	SCHNORR LOCK WASHER S6 A2 P3
10	2	C8006063	WASHER, BELLEVILLE, M10, SERRATED BOTH SIDES, SST
11	8	C8006060	SCHNORR LOCK WASHER, S8, A2, P3
12	6	C8004057	NUT, HEX, M8 A4
13	2	C8003058	HEXAGON BOLT, M8 X 35, A2 P2/P3
14	4	C8003043	HEXAGON BOLT M6x16 A2 P2/P3
15	4	C8013002	FILLISTER HEAD SCREW DIN 912 - M8X25 A2
16	2	C8008095	BLIND RIVET NUT M6 ROUND A2 P3
17	2	C8001073	HEXAGON SOCKET SCREW M6x16 A2 P2/P3
18	2	C8004040	HEXAGON NUT M6 A4 P2/P3
19	4	C8005041	WASHER 6.4 A2 DIN 9021 P2 P3
20	2	C8005050	WASHER, 8.4 A2 DIN 125 P3
21	2	C8003066	BOLT, HEX HD, M10x30, A2
22	4	C8013011	HEXAGON BOLT M6x12 A2 P2/P3
23	1	C6012016	SUPPORT STRIP VST P3
24	1	C2013013	HINGE, DOOR, TOP, CAST
25	2	C8015000	MLF SCREW M6X8 A2 P3



*	23	1	260BAF	INSTRUCTION, INSTALLATION, COMBI STAND
*	22	1	111693	CLIP, WIRE ROPE, 0.250 DIA., HOT DIPPED GALVANIZED
*	21	1	111692	KIT, RESTRAINING DEVICE, COMBI STAND
*	20	4	112169	SCREW, 3/4-10 X 1, HEX HEAD, ZINC PLATED
*	19	4	112168	WASHER, LOCK, SPLIT, 3/4, ZINC PLATED
*	18	8	WR50204	SHIM, CASTER, "C" SHAPED (FOR 3/4 STEM)
	17	1	110587	LABEL, SANITATION, UL CLASS, NSF #2
	16	1	111672	LABEL, COMBI STAND, MODEL NO. CST-20-CBCA (6.20, 10.20)
	15	12	112055	SCREW, CARRIAGE, 10-24x1/2, SST (RND HEAD, SQ NECK)
	14	1	112022	PANEL, REAR, CLOSED COMBI STAND, X.20
	13	2	112021	PANEL, SIDE, CLOSED COMBI STAND, X.20
	12	2	KE52133	CATCH, MAGNETIC, SNAP-IN, SOUTHCO #02-10-201-10
	11	1	112196	ASSEMBLY, DOOR, DOUBLE PANEL, RIGHT HAND, COMBI STAND, X.20
	10	1	112195	ASSEMBLY, DOOR, DOUBLE PANEL, LEFT HAND, COMBI STAND, X.20
	9	20	104616	NUT, HEX, LOCK, 10-24, SST, NYLON INSERT
	8	20	101655	WASHER, FLAT, #10, SST
	7	8	112053	SCREW, CARRIAGE, 10-24x5/8, SST (RND HEAD, SQ NECK)
	6	2	WR000001	WELDMENT, HINGE BRACKET, LOWER RIGHT AND UPPER LEFT
	5	2	WR000000	WELDMENT, HINGE BRACKET, LOWER LEFT AND UPPER RIGHT
	4	4	19218	SCREW, 1/4-20 X 3/8, HEX HEAD, SST
	3	2	80020	CASTER, SWIVEL, 4", WITHOUT BRAKE
	2	2	80019	CASTER, SWIVEL, 4", WITH BRAKE
	1	1	112016	WELDMENT, CLOSED COMBI CASTER STAND, X.20
	ITEM	QTY	PART NO.	DESCRIPTION



* 18	1	260BAF	INSTRUCTION, INSTALLATION, COMBI STAND
* 17	4	112169	SCREW, 3/4-10 X 1, HEX HEAD, ZINC PLATED
* 16	4	112168	WASHER, LOCK, SPLIT, 3/4, ZINC PLATED
15	1	110587	LABEL, SANITATION, UL CLASS. NSF #2
14	1	111670	LABEL, COMBI STAND, MODEL NO. CST-20-CB (6.20, 10.20)
13	12	112055	SCREW, CARRIAGE, 10-24x1/2, SST (RND HEAD, SQ NECK)
12	1	112022	PANEL, REAR, CLOSED COMBI STAND, X.20
11	2	112021	PANEL, SIDE, CLOSED COMBI STAND, X.20
10	2	KE52133	CATCH, MAGNETIC, SNAP-IN, SOUTHCO #02-10-201-10
9	1	112196	ASSEMBLY, DOOR, DOUBLE PANEL, RIGHT HAND, COMBI STAND, X.20
8	1	112195	ASSEMBLY, DOOR, DOUBLE PANEL, LEFT HAND, COMBI STAND, X.20
7	20	104616	NUT, HEX, LOCK, 10-24, SST, NYLON INSERT
6	20	101655	WASHER, FLAT, #10, SST
5	8	112053	SCREW, CARRIAGE, 10-24x5/8, SST (RND HEAD, SQ NECK)
4	2	WR000001	WELDMENT, HINGE BRACKET, LOWER RIGHT AND UPPER LEFT
3	2	WR00000	WELDMENT, HINGE BRACKET, LOWER LEFT AND UPPER RIGHT
2	4	111950	FOOT, ADJUSTABLE, FOR 1-1/2" SQUARE TUBING (16 GA OR 18 GA WALL), WITH 3-1/2" SST FLANGE W/HOLES
1	1	112102	WELDMENT, CLOSED COMBI FOOT STAND, X.20
ITEM	QTY	PART NO.	DESCRIPTION

PARTS LIST

<u>LABEL</u>	<u>DESCRIPTION</u>	<u>PART NO.</u>	<u>LABEL</u>	<u>DESCRIPTION</u>	<u>PART NO.</u>
-A10	CONTROL BOARD (SM 5010)	C5019100	-W1	CABLE, 9 PIN COM.	300533
-A11	OPERATION BOARD (BM 5010)	C5019101	-Y1	VALVE, CONDENSER, 120VAC NOISE FILTER (RC)	300455
-A12	PICTO BOARD (OPTION)	C5019105			300407
-A13	I.D. MODULE	C5019102	-Y10	VALVE ASSY, 2 WAY, 120VAC -Y2 VALVE, DEHUMID.	300456
-A20	GAS BOARD (GM5010)	C5019103			-
-B1	WATER LEVEL PROBE	C5019003			-
-B3	CONDENSOR PROBE	C5016006			-
-B4	STEAM GEN PROBE	C5016006		VALVE ASSY, 3 WAY, 120VAC(CLEANING OPTION)	300363
-B5	BYPASS PROBE	C5016006			-
-B6	OVEN PROBE	C5016006			-
-B7.1	OVEN HI-TEMP THERMOSTAT	C5001041			-
-B7.2	GEN. HI-TEMP THERMOSTAT	1089952			-
-B8	GEN. HI-TEMP PROBE	C5016008	-Y20	PUMP, RINSING AGENT, 120VAC(CLEANING OPTION)	300352
-B10	CORE TEMP. PROBE (KTM CTC)	C5013001	-Y22	PUMP, CLEANING AGENT, 120VAC(CLEANING OPTION)	300352
-F1.1	FUSE, 3A	KE52936-6	-Y23	PUMP, CLEANING AGENT, 120VAC(CLEANING OPTION)	300352
-F2.1	FUSE, 1A	300418	-Z1	LINE FILTER 20A	300472
-F10	FUSE, 20A	300471			
-G1	POWER SUPPLY, 12VDC	300350			
-H5.1	OVEN LAMP	C5005043			
-M1	MOTOR, CONVECTION	C50180221			
-M3.1	COOLING FAN	C5018023			
-M4	PUMP, GEN.	300506			
-N20	BURNER ASSY, HOT AIR	-			
	VALVE, GAS, 120VAC	C6016009			
	CONTROL, BURNER, 120VAC	C6016023			
-N21	BURNER ASSY, GEN.	-			
	VALVE, GAS, 120VAC	C6016009			
	CONTROL, BURNER, 120VAC	C6016023			
-P1,P2	FLAME SENSOR	C4018000			
-R20	IGNITOR, CONV.	C4018001			
-R21	IGNITOR, GEN.	C4018001			
-S1	SWITCH, CONTROL POWER	19993			
-S2	PRESSURE SWITCH (10,20 UNITS)	C5013052			
	PRESSURE SWITCH (12,20 UNITS)	C5013051			
-S7	DOOR SWITCH	C5003075			
-T1	TRANSFORMER, 120V/24V	300419			
-T2	TRANSFORMER, 120V/24V	300419			
-U10	AC DRIVE	300462			
-U20	POWER BURNER ASSY, HOT AIR	-			
	FAN, BURNER, 120VAC	C5018007			
-U21	POWER BURNER ASSY, GEN.	-			
	FAN, BURNER, 120VAC	C5018007			

# OGB10.20 Parts List

PARTS LIST

<u>LABEL</u>	<u>DESCRIPTION</u>	<u>PART NO.</u>	<u>LABEL</u>	<u>DESCRIPTION</u>	<u>PART NO.</u>
-A10	CONTROL BOARD (SM 5010)	C5019100	-W1	CABLE, 9 PIN COM.	300533
-A11	OPERATION BOARD (BM 5010)	C5019101	-Y1	VALVE, CONDENSER, 120VAC	300455
-A12	PICTO BOARD (OPTION)	C5019105		NOISE FILTER (RC)	300407
-A13	I.D. MODULE	C5019102	-Y10	VALVE ASSY, 2 WAY, 120VAC	300456
-B3	CONDENSOR PROBE	C5016006		-Y2 VALVE, DEHUMID.	-
-B5	BYPASS PROBE	C5016006		-Y3 VALVE, GEN. FILL	-
-B6	OVEN PROBE	C5016006		NOISE FILTER (RC)	-
-B7.1	OVEN HI-TEMP THERMOSTAT	C5001041		VALVE ASSY, 3 WAY, 120VAC(CLEANING OPTION)	300363
-B10	CORE TEMP. PROBE (KTM CTC)	C5013001		-Y2 VALVE, DEHUMID.	-
-F1.1	FUSE, 3A	KE52936-6		-Y3 VALVE, GEN. FILL	-
-F2.1	FUSE, 1A	300418		-Y21 VALVE, CLEAN/RINSE	-
-F10	FUSE, 20A	300471		NOISE FILTER (RC)	300407
-G1	POWER SUPPLY, 12VDC	300350	-Y20	PUMP, RINSING AGENT, 120VAC(CLEANING OPTION)	300352
-H5.1	OVEN LAMP	C5005043	-Y22	PUMP, CLEANING AGENT, 120VAC(CLEANING OPTION)	300352
-M1	MOTOR, CONVECTION	C50180221	-Y23	PUMP, CLEANING AGENT, 120VAC(CLEANING OPTION)	300352
-M3.1	COOLING FAN	C5018023	-Z1	LINE FILTER 20A	300472
-N20	BURNER ASSY, HOT AIR	-			
	VALVE, GAS, 120VAC	C6016009			
	CONTROL, BURNER, 120VAC	C6016023			
-P1	FLAME SENSOR	C4018000			
-R20	IGNITOR, CONV.	C4018001			
-S1	SWITCH, CONTROL POWER	19993			
-S2	PRESSURE SWITCH (10,20 UNITS)	C5013052			
	PRESSURE SWITCH (12,20 UNITS)	C5013051			
-S3	PRESSURE SWITCH (INJECT.)	C5009063			
-S7	DOOR SWITCH	C5003075			
-T1	TRANSFORMER, 120V/24V	300419			
-U10	AC DRIVE	300462			
-U20	POWER BURNER ASSY, HOT AIR	-			
	FAN, BURNER, 120VAC	C5018007			

OGS10.20 Parts List