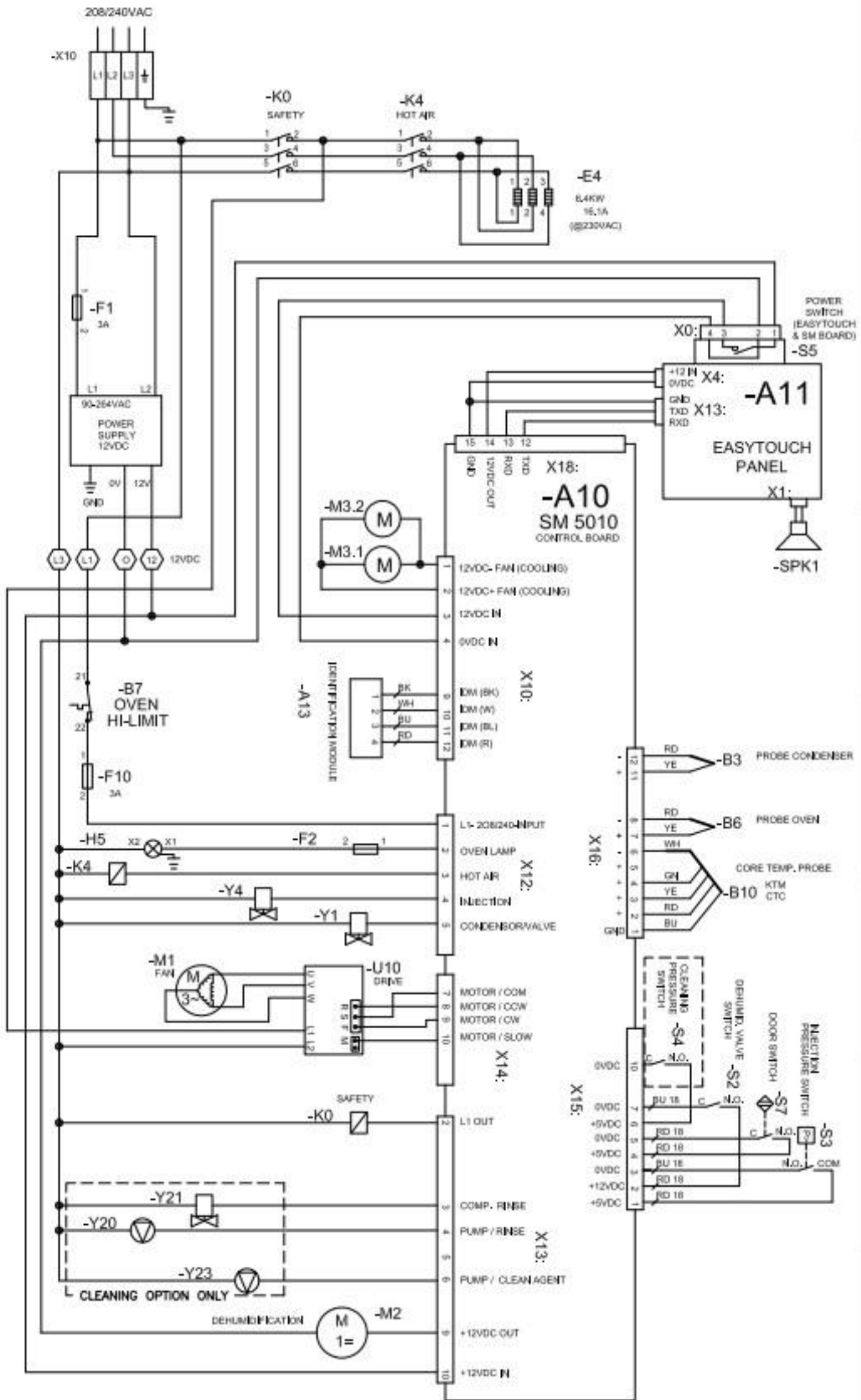


LADDER DIAGRAM



CLEVELAND RANGE, LLC
1330 East 178th St., Cleveland, Ohio 44110-0574

TITLE
WIRING DIAGRAM
OES 6.10 MINI WITH EASYTOUCH

VOLTAGE: 3Ø 208-240
WATTAGE: 5.65KW - 7.45KW
CURRENT: 15.7A - 17.9A

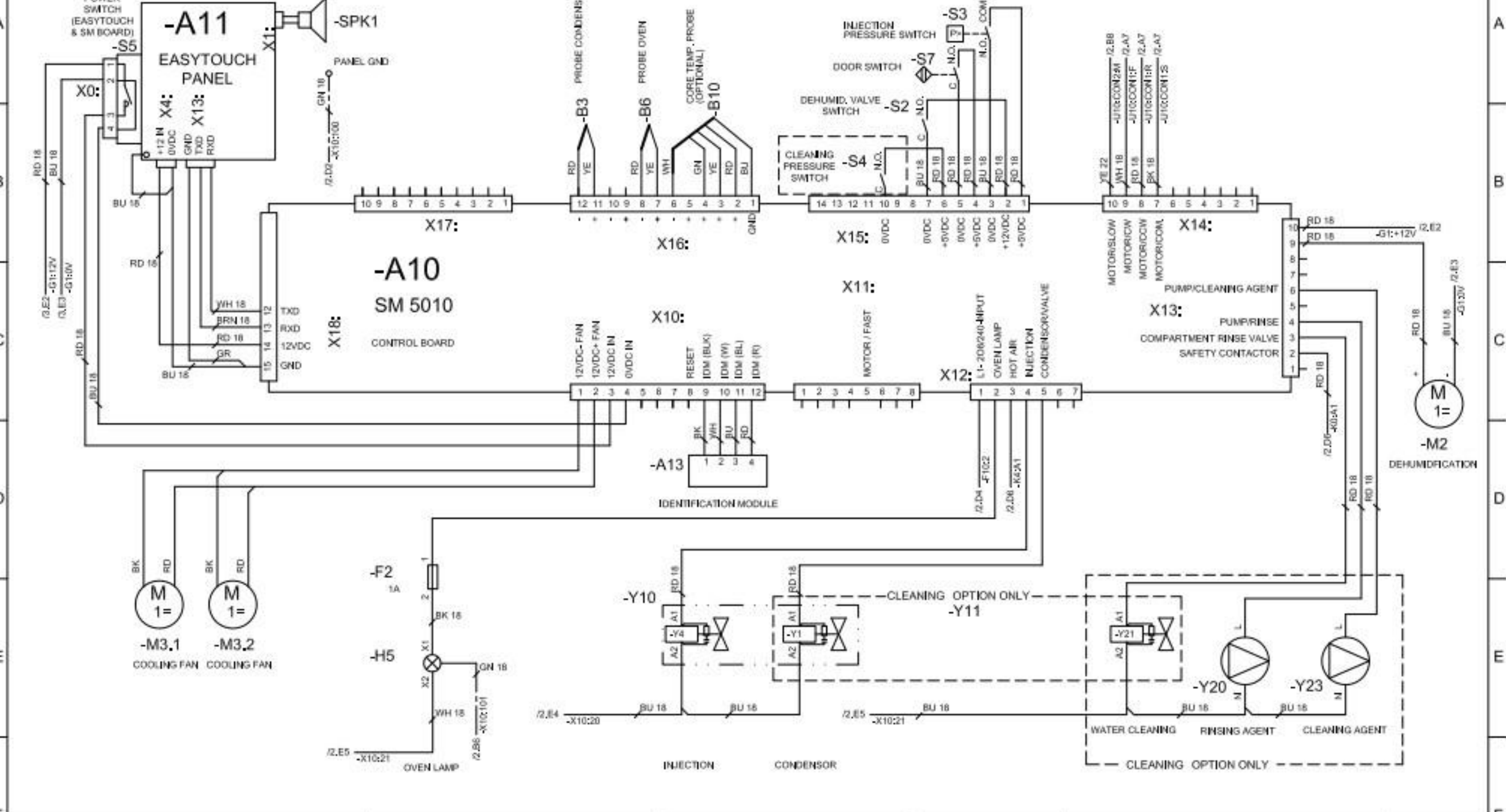
DATE
12-28-10

DRAWING NO.
300775

SHEET 4 OF 4

REV
B

WIRING DIAGRAM



THIS DESIGN DESCRIBES A PROPRIETARY ITEM AND IS THE PROPERTY OF CLEVELAND RANGE. THIS DRAWING IS NOT TO BE COPIED OR USED WITHOUT THE APPROVAL OF CLEVELAND RANGE.
CLEVELAND RANGE, LLC
 1333 East 179th St., Cleveland, Ohio 44110-2574

TITLE
WIRING DIAGRAM
OES 6,10 MINI WITH EASYTOUCH

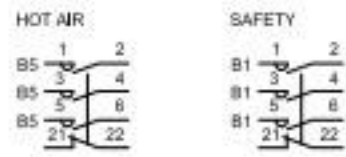
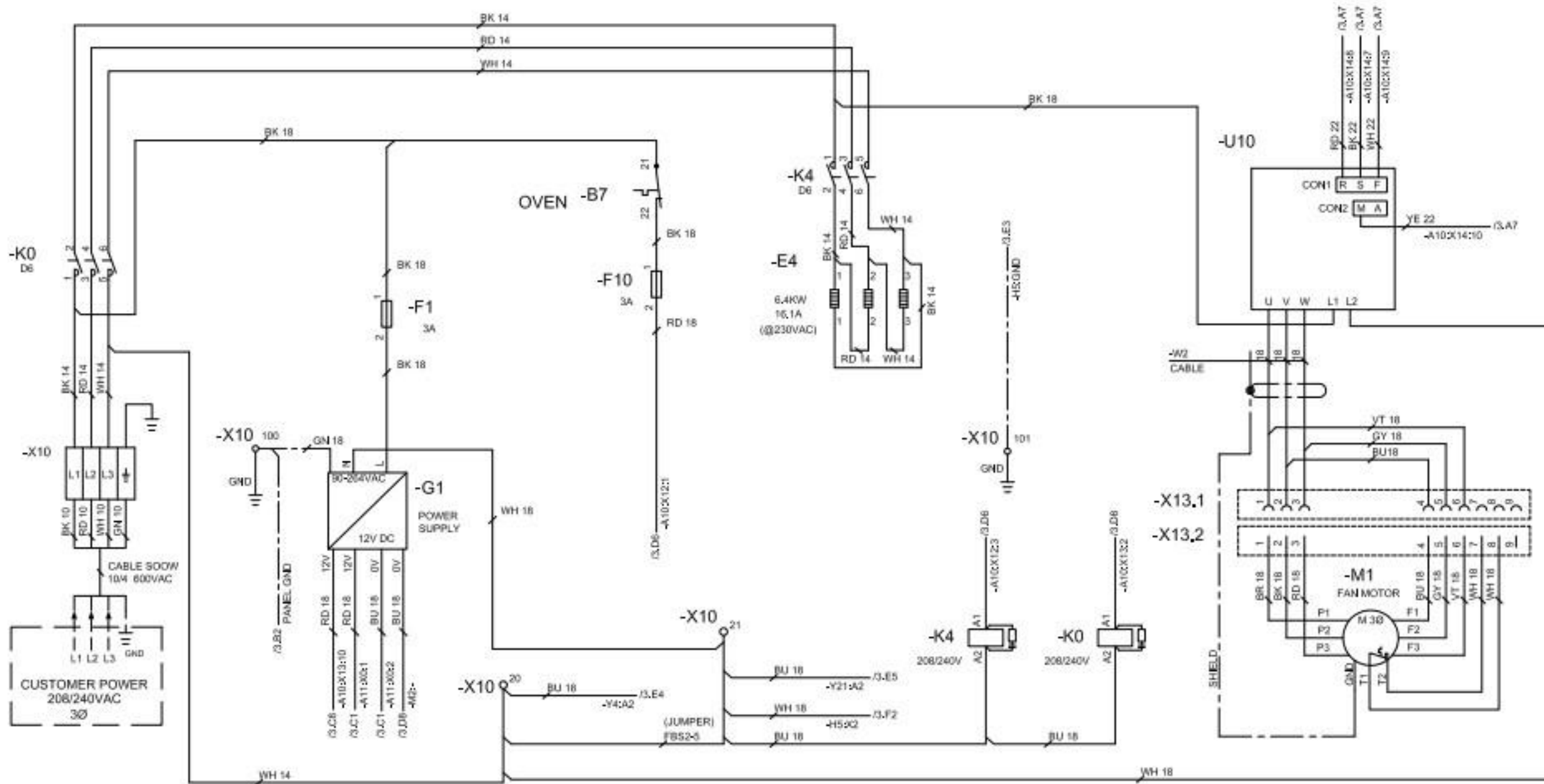
VOLTAGE: 3Ø 208-240
 WATTAGE: 5.65KW - 7.45KW
 CURRENT: 15.7A - 17.9A

DRAWING BY: DRL
 DATE: 12-28-10

DRAWING NO.: 300775
 SIZE: B
 SHEET 3 OF 4

REV: B

WIRING DIAGRAM



THIS DESIGN DESCRIBES A PROPRIETARY ITEM AND IS THE PROPERTY OF CLEVELAND RANGE. THIS DRAWING IS NOT TO BE COPIED OR USED WITHOUT THE APPROVAL OF CLEVELAND RANGE.

CLEVELAND RANGE, LLC
1333 East 179th St., Cleveland, Ohio 44110-2574

TITLE
WIRING DIAGRAM
OES 6,10 MINI WITH EASYTOUCH

VOLTAGE: 3Ø 208-240
WATTAGE: 5.65KW - 7.45KW
CURRENT: 15.7A - 17.9A

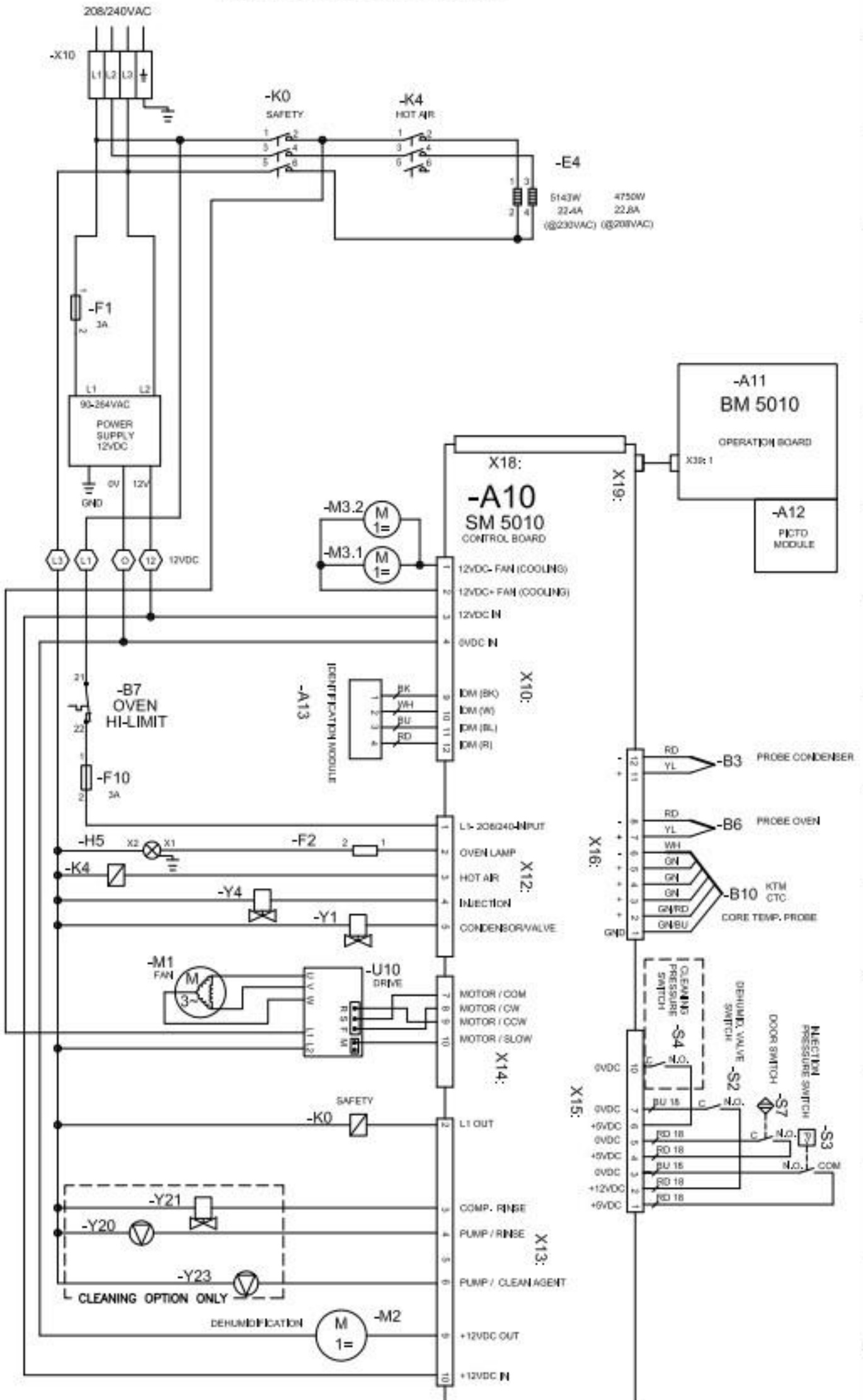
DRAWN BY: DRL
DATE: 12-29-10

DRAWING NO.: 300775
SIZE: B

SHEET 2 OF 4

REV: B

LADDER DIAGRAM



THE DESIGN OF THIS DRAWING IS THE PROPERTY OF CLEVELAND RANGE, LLC. THE DRAWING IS TO BE USED ONLY BY THE OPERATOR OF CLEVELAND RANGE, LLC.

CLEVELAND RANGE, LLC
 1330 East 179th St., Cleveland, OH 44110-2574

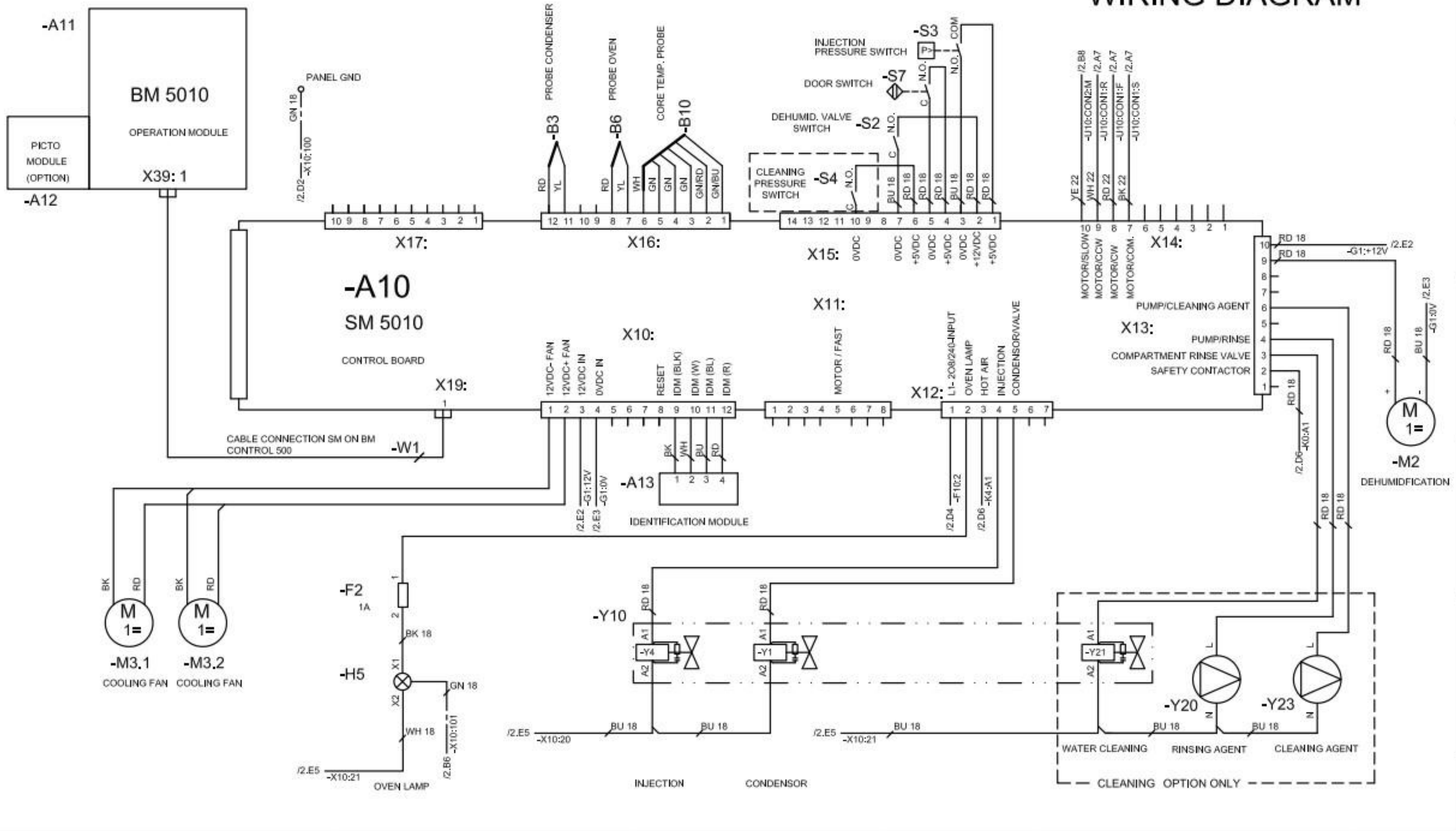
TITLE
WIRING DIAGRAM, QES 3.10
 WITH REVERSING MOTOR & STD CONTROLS

VOLTAGE: 3-208-240
 WATTAGE: 4410W-5760W
 CURRENT: 21A - 24A

DESIGN BY: DRL
 DATE: 6-4-10
 DRAWING NO.: 300795
 SIZE: 8

SHEET 4 OF 4
 REV: A

WIRING DIAGRAM



THIS DESIGN DESCRIBES A PROPRIETARY ITEM AND IS THE PROPERTY OF CLEVELAND RANGE. THIS DRAWING IS NOT TO BE COPIED OR USED WITHOUT THE APPROVAL OF CLEVELAND RANGE.

CLEVELAND RANGE, LLC
1333 East 179th St., Cleveland, Ohio 44110-2574

TITLE
**WIRING DIAGRAM, OES 3.10
WITH REVERSING MOTOR & STD CONTROLS**

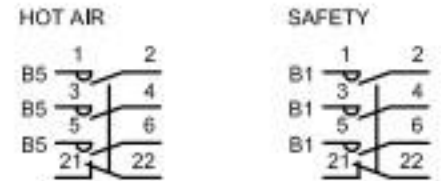
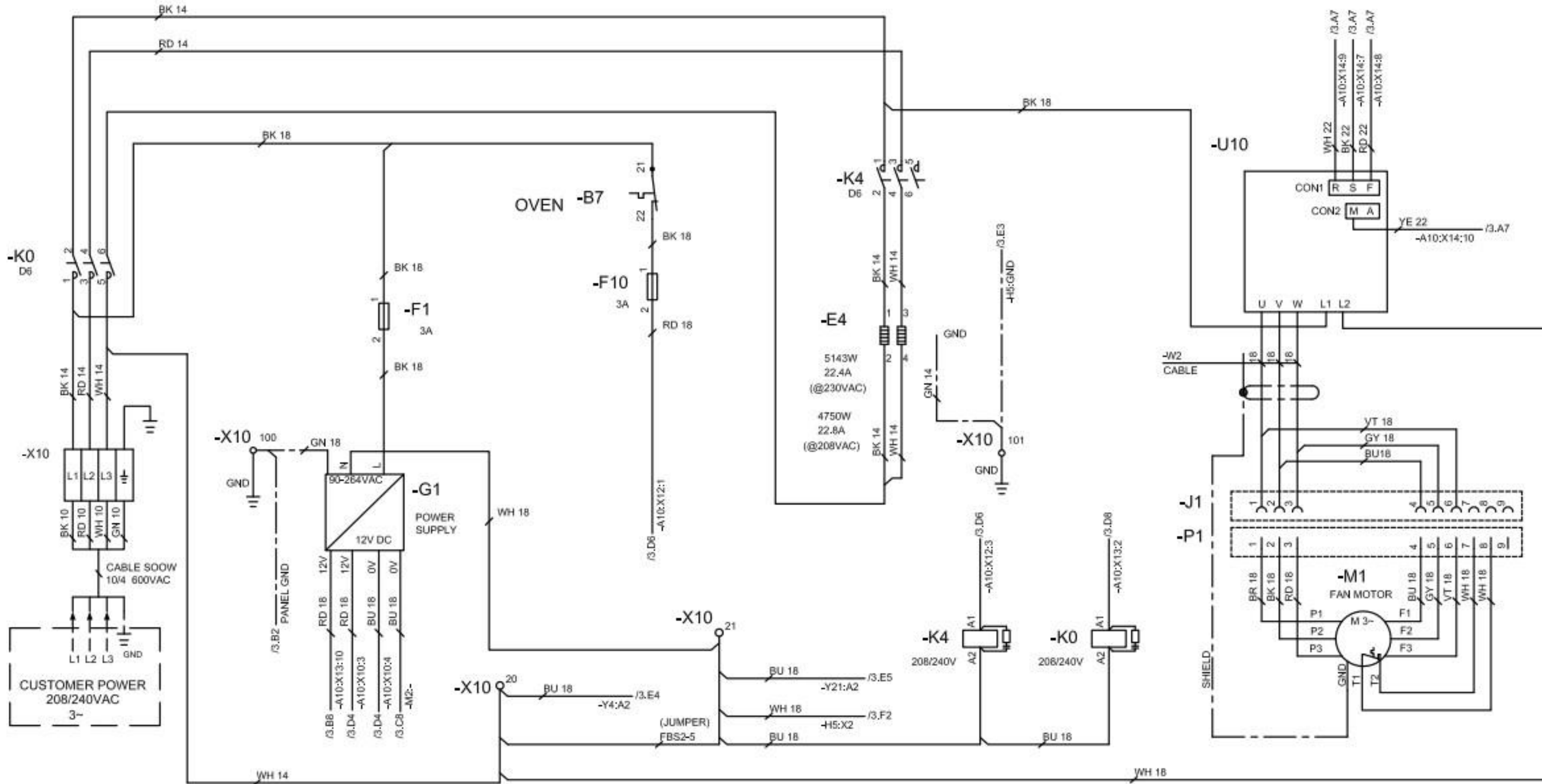
VOLTAGE: 3~ 208-240
WATTAGE: 4410W-5760W
CURRENT: 21A - 24A

DRAWN BY: DRL
DATE: 6-4-10

DRAWING NO.: 300785
SIZE: B
SHEET 3 OF 4

REV: A

WIRING DIAGRAM



THIS DESIGN DESCRIBES A PROPRIETARY ITEM AND IS THE PROPERTY OF CLEVELAND RANGE. THIS DRAWING IS NOT TO BE COPIED OR USED WITHOUT THE APPROVAL OF CLEVELAND RANGE.

CLEVELAND RANGE, LLC
1333 East 179th St., Cleveland, Ohio 44110-2574

TITLE
**WIRING DIAGRAM, OES 3.10
WITH REVERSING MOTOR & STD CONTROLS**

VOLTAGE: 3~ 208-240
WATTAGE: 4410W-5760W
CURRENT: 21A - 24A

DRAWN BY: DRL
DATE: 6-4-10

DRAWING NO.: 300785
SIZE: B
SHEET 2 OF 4

REV: A