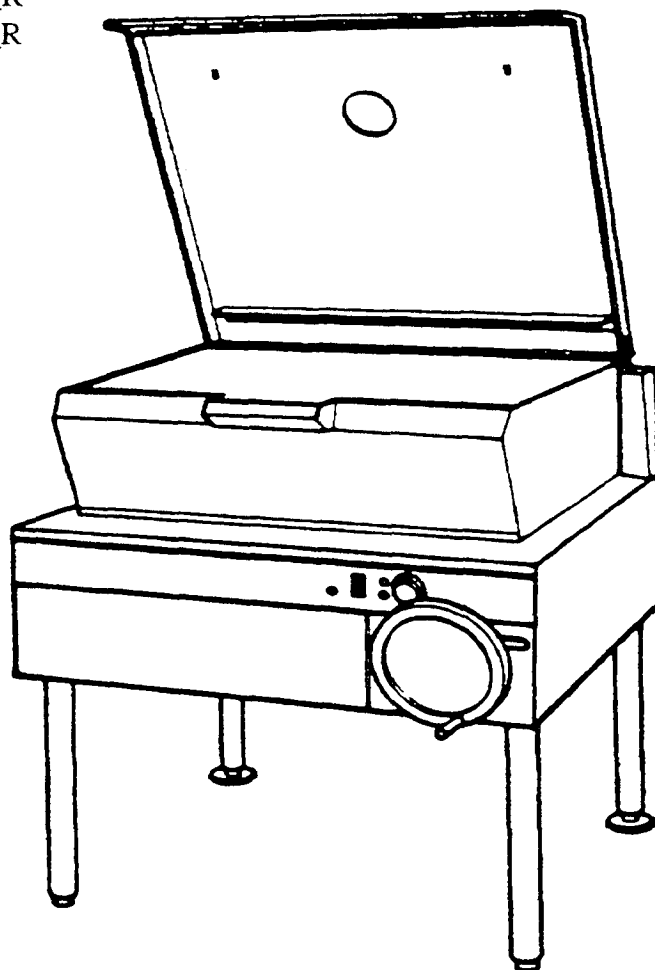


INSTALLATION, OPERATION AND REPAIR MANUAL

ELECTRIC SKILLET

MODEL # SEL-__R

MODEL # SEM-__R



CLEVELAND RANGE COMPANY
1177 Kamato Rd.
Mississauga, Ontario
L4W 1X4

Telephone: (905) 624-0260 Toll Free
Fax: 1-800-316-7745

CLEVELAND RANGE COMPANY
1333 East 179th St.
Cleveland, Ohio
U.S.A. 44110

Telephone: (216) 481-4900 **FAX:**
(216) 481-3782

SKI-08

INSTALLATION INSTRUCTIONS

WARNING: Installation of skillet must be accomplished by qualified installation personnel, working to all applicable local and national codes. Improper installation of product could cause injury or damage.

This equipment is built to comply with applicable standards for manufacturers. Included among those approval agencies are: CSA, NRTL/C, NSF and others. Many local codes exist, and it is the responsibility of the owner and installer to comply with these codes.

INSPECTION

Before unpacking, visually inspect the unit for evidence of damage during shipping. If damage is noticed, do not unpack the unit, follow shipping damage instructions.

SHIPPING DAMAGE INSTRUCTIONS

If shipping damage to the unit is discovered or suspected, observe the following guidelines in preparing a shipping damage claim.

1. Write down a description of the damage or *the* reason for suspecting damage as soon as it is discovered. This will help in filling out the claim forms later.
2. As soon as damage is discovered or suspected, notify the carrier that delivered the shipment.
3. Arrange for the carrier's representative to examine damage.
4. Fill out all carrier claims forms and have the examining carrier sign and date each form.

GENERAL INFORMATION

The serial plate is located on the frame softener (right side) behind the front panel. For easy access, remove the two screws securing the upper front panel and hinge the lower front panel downwards. Voltage, phase, amperage and wattage are stated on the plate.

1. **Damage Check:** Check carton or crate for possible damage incurred in shipping. After carefully uncrating, check for 'concealed' damage. Report any damage immediately to your carrier.
2. Check the electrical rating plate to ensure that the unit is the correct voltage, amperage, phase and wattage.
3. This unit must be installed by a qualified electrician working in accordance with applicable local and national electrical codes. Improper installation could cause damage and void the warranty.

INSTALLATION CLEARANCES

This unit must be installed in accordance with the following clearances in order to provide proper operation and servicing of the appliance. Also, it is recommended that the unit be installed with sufficient clearances to provide proper cleaning and maintenance. Minimum clearances are 0" for the sides and back.

INSTALLATION INSTRUCTIONS

1. Carefully remove unit from carton or crate. Remove any packing material from unit.
2. A protective material has been applied to the stainless steel panels.

NOTE: This material must be removed immediately after installation, as heat will melt the material and make it more difficult to remove.

3. Set skillet in position where electrical services are nearby. Comply with clearances stated on the specification sheet. Ensure there is sufficient clearance between skillet and back wall. Check overhead clearance to accommodate hinged cover when in the raised position.
4. Level skillet by means of adjustable stainless steel feet. Use a spirit level and level unit four ways: across front and back and down left and right edges. Securely anchor adjustable feet to floor and seal joints with a silicone sealant.

ELECTRICAL CONNECTION

1. For supply connections, use wire suitable for at least 194°F (90°C). Cleveland strongly recommends the use of liquid tight fittings.
2. The supply lines will enter through the rear (or bottom) of the unit near the left side of the skillet and are connected to the terminal block. For ease in attaching the supply lines, there is a removable cover on the wiring compartment.
3. The electrical service connection must comply with all local and national codes.
4. NOTE: This skillet is factory wired for a 3 phase installation. **If** single phase is required, check the wiring diagram for proper modifications. Wiring diagram is located on the back of the hinged front panel.

WATER CONNECTIONS (OPTIONAL)

A 3/8" NPT cold water line and a 3/8" NPT hot water line are required for the fill faucet.

OPERATING INSTRUCTIONS

1. Ensure electrical supply to the appliance is in the 'ON' position.
2. Turn power switch to the 'ON' position. The green pilot light will indicate power is on.
3. Power Tilt

Cleveland skillets are equipped with an electric power tilt mechanism for raising and lowering the frypan. To raise the frypan, open the cover and press up on the tilt switch. To lower the frypan, press down on the tilt switch.

Manual Tilt

Cleveland skillets can also be equipped with the optional manual tilt mechanism for raising and lowering the frypan. To raise the frypan, open the cover and mm the wheel clockwise. To lower the frypan, push in on the lever located behind the wheel.

4. **FOR YOUR SAFETY:** This skillet is also equipped with a power interrupter which automatically shuts off the electrical power to the elements whenever the frypan is raised more than 1/2" (13mm).

IMPORTANT: Before commencing to cook, ensure frypan is in the lowered position by pressing down on the tilt switch. Ensure cover is raised first.

5. To preheat, set thermostat to desired cooking temperature. The amber pilot light will cycle on and off with the thermostat.
6. Allow skillet to preheat for approximately 15-30 minutes.
7. Once preheated, insert product in frypan and

adjust thermostat to required cooking temperature.

8. If desired, once product has cooked, it can be held prior to serving at a lower temperature setting.
9. The best time to clean the skillet is immediately after use, once frypan has cooled down. Refer to the section titled CLEANING INSTRUCTIONS.

OPERATING SUGGESTIONS

1. Turn power switch to the 'OFF' position when skillet is not in use.
2. Clean frypan as soon as possible after cooking.
3. Allow skillet to preheat before adding product
4. Always lift the spring assist cover before activating the tilt mechanism.
5. During an electrical power interruption, turn power switch on the front panel, to the 'OFF' position. This unit cannot be made to operate without electrical power.

MAINTENANCE INSTRUCTIONS

NOTE: ANY MAINTENANCE OR SERVICE INVOLVING DISSASSEMBLY OF COMPONENTS SHOULD BE MADE BY A QUALIFIED SERVICE TECHNICIAN. ENSURE ELECTRICAL AND WATER SUPPLY (IF APPLICABLE) TO THE APPLIANCE ARE SHUT OFF.

You have purchased the finest commercial cooking equipment available anywhere. Like any other fine precision built piece of equipment it should be given regular care and maintenance.

Periodic inspections by your dealer or a qualified

service agency are recommended to check temperatures, adjustments and ensure moving parts are operative. Whenever possible, avoid overheating idle equipment as this is the primary cause for increased service costs.

When corresponding with the factory or your equipment dealer regarding service problems or replacement parts, be sure to refer to the particular unit by the correct model number (including prefix and suffix letters and numbers) and the serial or code number. The rating plate affixed to the unit contains this information.

"REGULAR MAINTENANCE ENSURES PEAK PERFORMANCE".

CLEANING INSTRUCTIONS

A regular daily cleaning program should be followed to maintain your skillet's efficient performance and minimize service calls. At the end of each day's operation, the following steps are recommended:

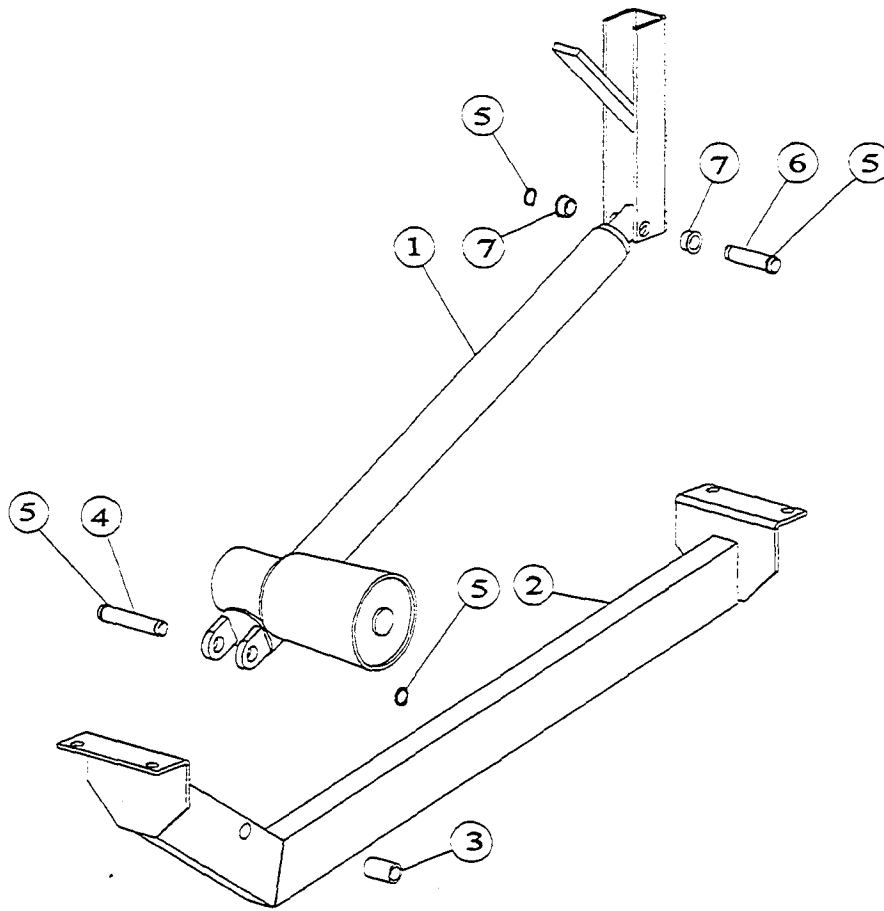
1. Turn power switch to the 'OFF' position.
2. Skillet should be cleaned after each use, as soon as possible after cooking.
CAUTION: Ensure skillet has cooled down.
3. For general purpose cleaning, use a soft cloth with mild detergent and warm water. A sponge, non-abrasive scouring pad or a fibre brush can also be used for this purpose.
4. To remove grease that has baked on, apply a non-abrasive cleanser to a damp cloth or sponge and rub cleanser on the metal in the direction of the polishing lines of the metal. NEVER RUB IN A CIRCULAR MOTION. Soil or burnt deposits which do not respond can usually be removed by rubbing the surface with Scotch-Brite scouring pads or stainless scouring pads. DO NOT USE ORDINARY STEEL WOOL.

5. Do not use grill stones. Heat tint can be removed by a vigorous scouring in the direction of the polish lines using Scotch-Brite scouring pads or a stainless scouring pad in combination with a non-abrasive cleanser.

6. Tomato and vinegar based products have a high acid content which could attack the stainless

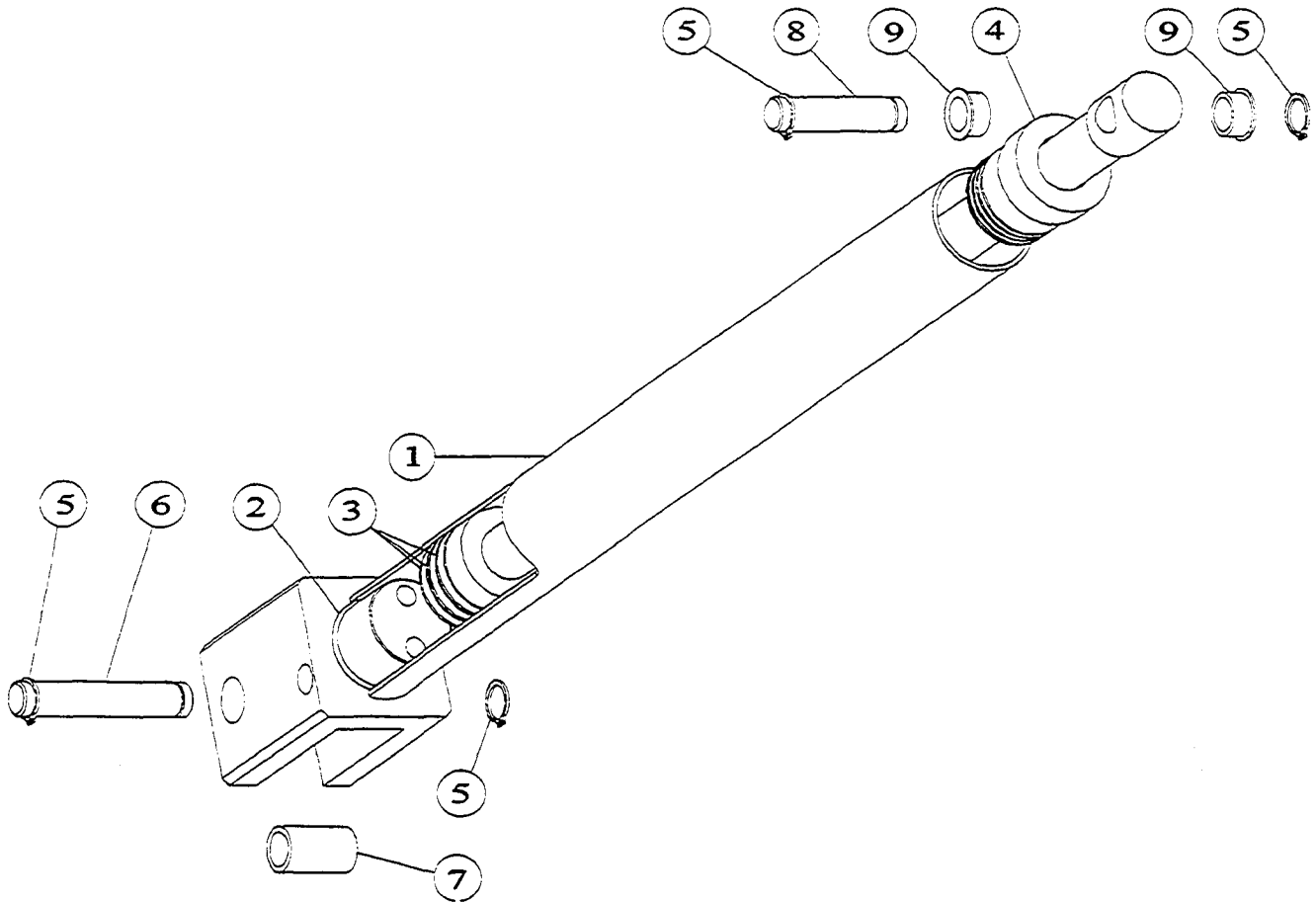
steel finish of the frypan. After cooking of such products, clean frypan interior with a baking soda and water solution. Use one tablespoon of baking soda per one gallon of water.

7. After cleaning, the skillet should be thoroughly rinsed with clean water and dried.



ACTUATOR

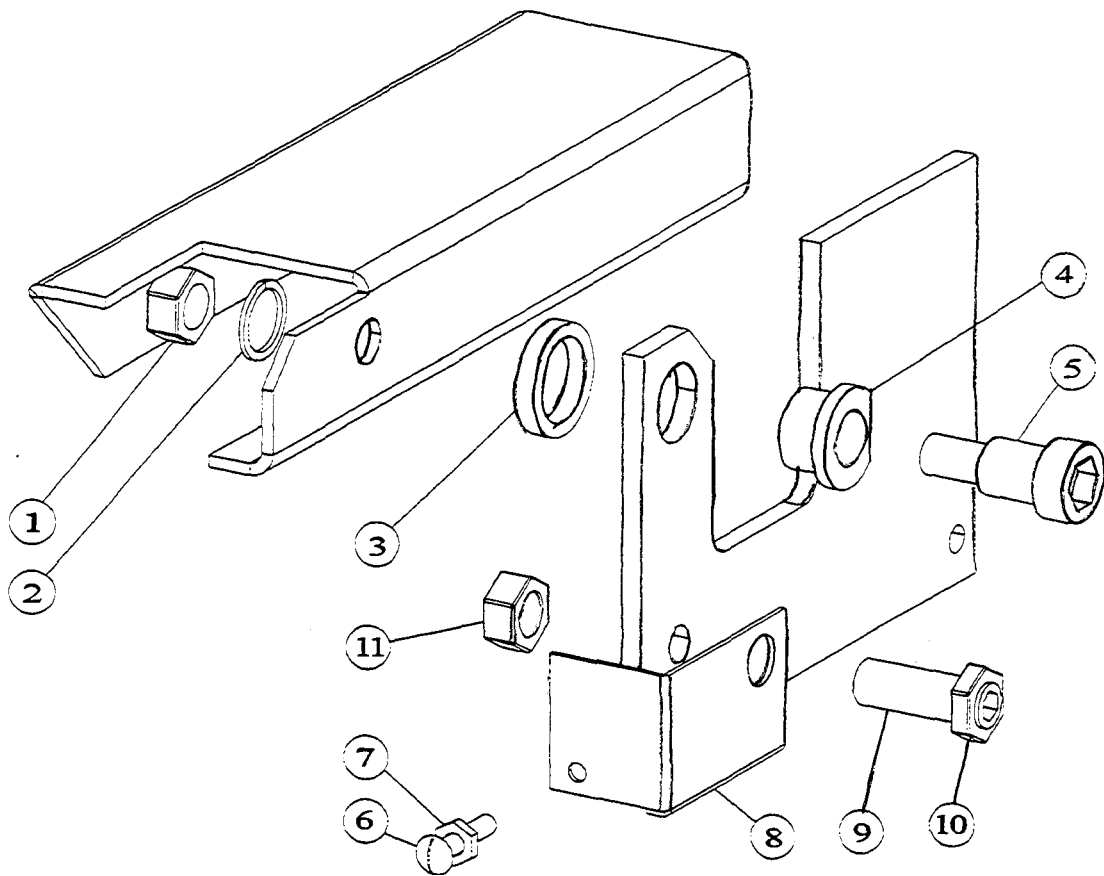
Item	Part No.	Description	Qty.
1	2346100	Actuator	1
2	2337499	Actuator Mounting Bracket Assy	1
3	2357500	Sleeve Bearing	1
4	2376500	Actuator Pin (Front)	1
5	2376502	Retaining Ring	4
6	2376501	Actuator Pin (Rear)	1
7	2357400	Flange Bearing	2



HAND TILT

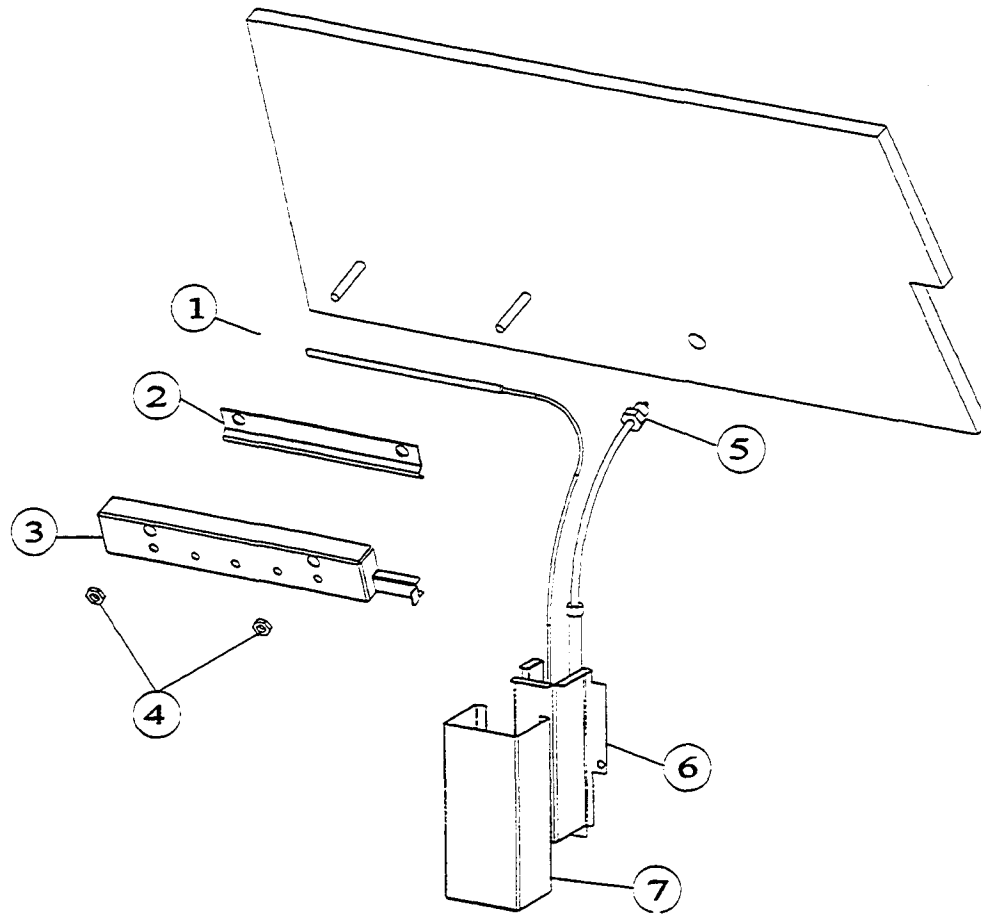
Item	Part No.	Description	Qty.
*1	2381000	Hydraulic Cylinder	1
*2	2388400	"0" Ring	1
*3	2388300	"U" Cup	3
*4	2388500	Top Bearing	1
5	2376502	Retaining Ring	4
6	2376500	Actuator Pin (Front)	1
7	2357500	Sleeve Bearing	1
8	2376501	Actuator Pin (Rear)	1
9	2357400	Flange Bearing	2

- - Part **No.'s** 1, 2, 3, 4 purchased as assembly 2381000



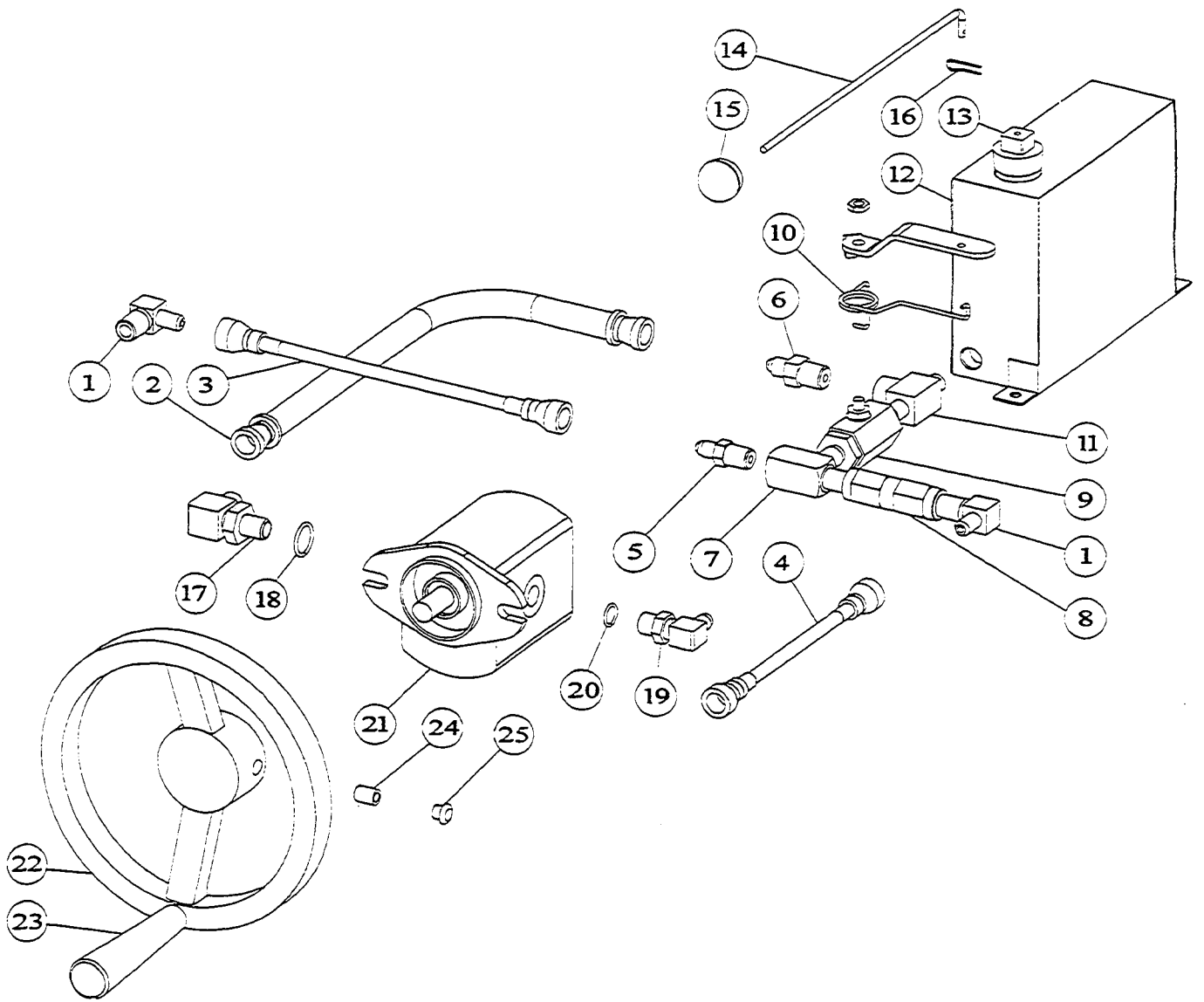
PAN HINGE

Item	Part No.	Description	Qty.
1	F424	Lock Nut 1/2-13 S.S.	2
2	F257	Lock Washer 1/2-13 S.S.	2
3	078248-1	Spacer	2
4	G02925-2	Bushing	2
5	F59	Bolt 1/2-13x3/4"	2
6	F183	Truss Head Screw 8-32 x 1 S.S.	1
7	F237	Hex Nut 8-32 S.S.	1
8	2354199	Striker Plate Assy	1
9	F359	Set Screw 1/2-13x1-3/4	1
10	F358	Hex Jam Nut 1/2-13	1
11	F246	Hex Nut 1/2-13 S.S.	



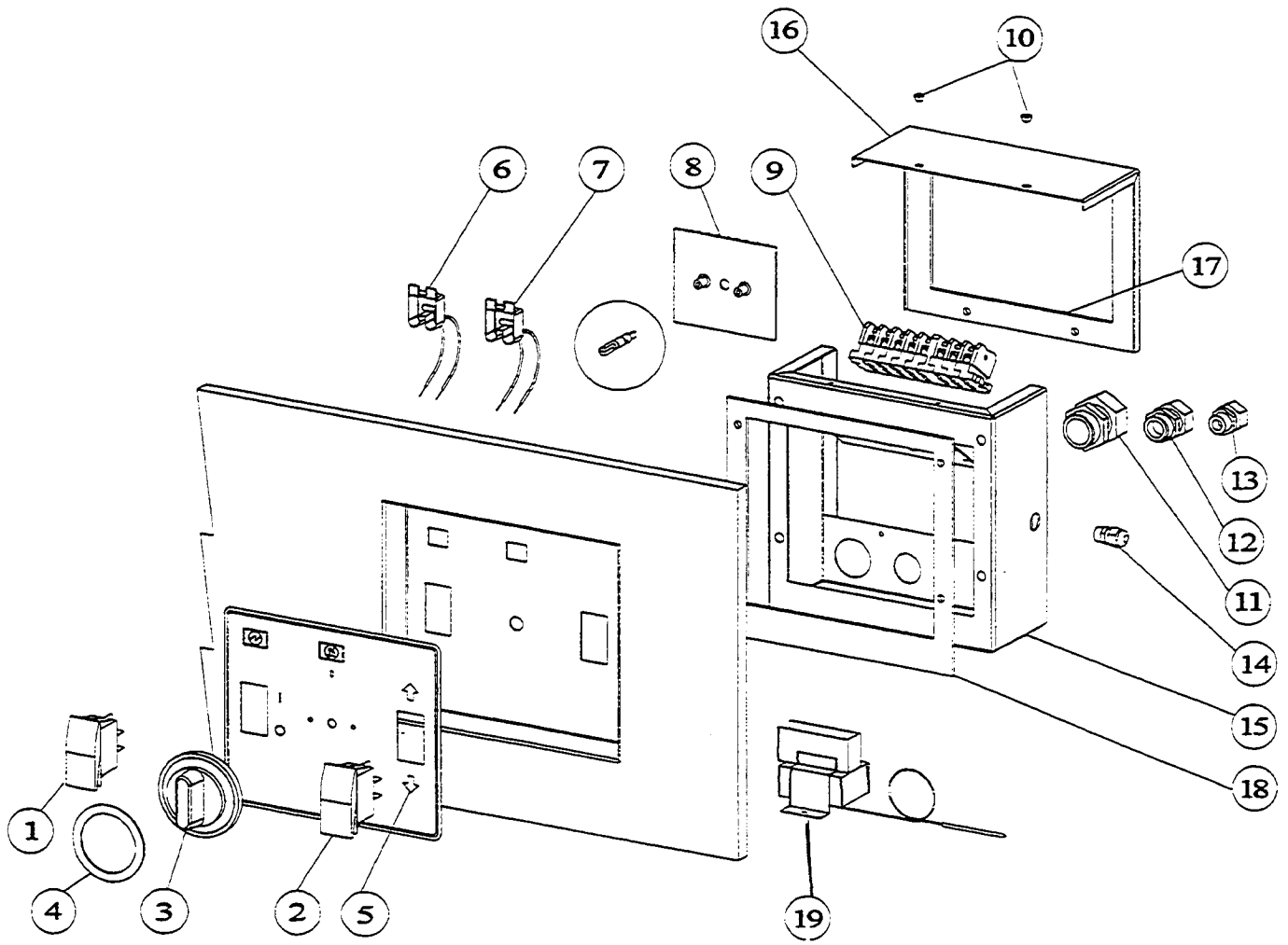
PLATE

Item	Part No.	Description	Qty.
1	2300600	Hi-Limit	1
2	2353900	Bulb Clamp	1
3	2354099	Bulb Shield Assy	1
4	F95	Nut	1
5	2345100	RTD Sensor	1
6	2344900	Shield Liner	1
7	2345000	Shield	1



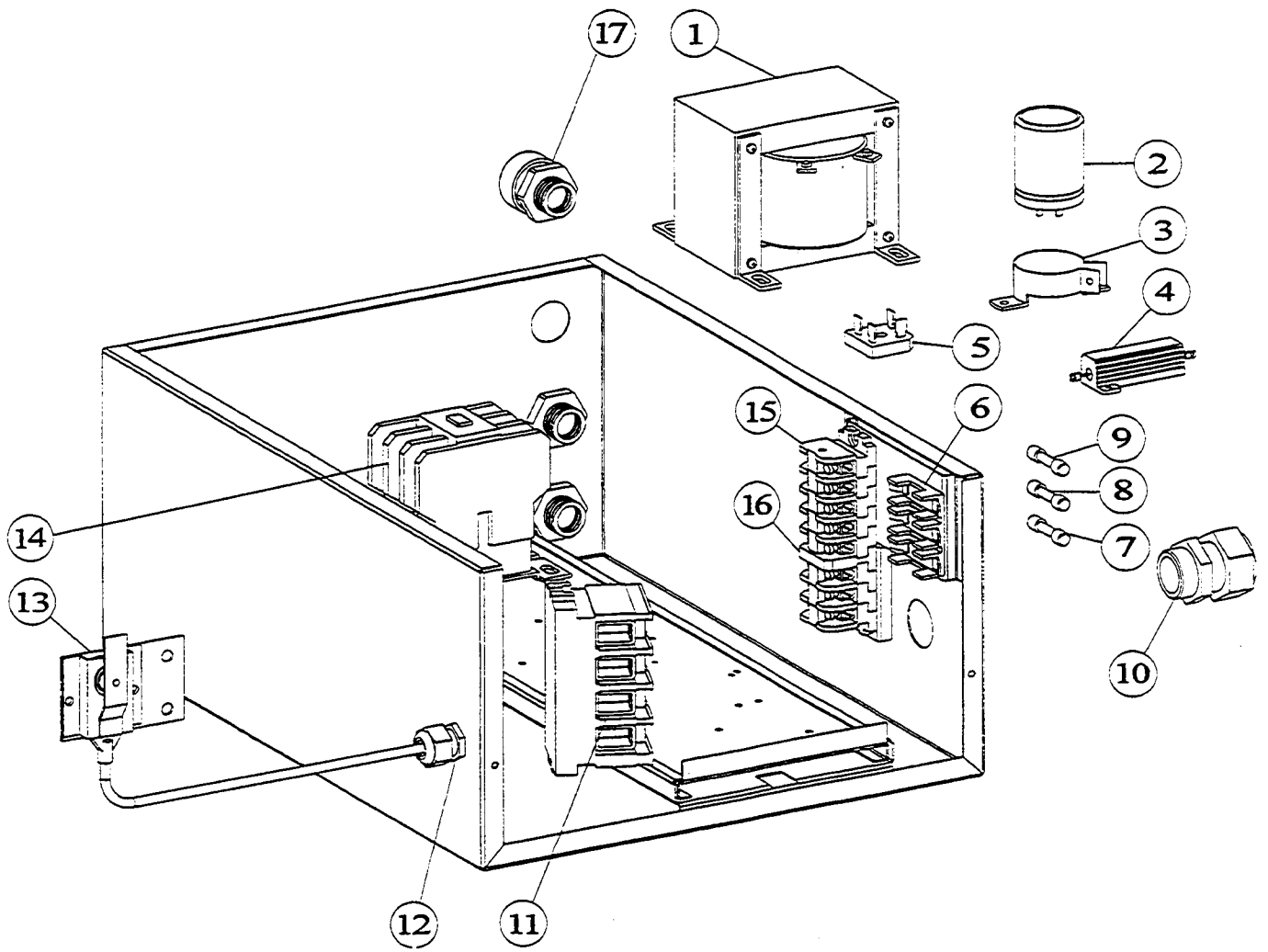
HYDRAULIC TILT ASSEMBLY

Item	Part No.	Description	Qty.
1	2379100	Hydraulic Adaptor	2
2	2379600	Hydraulic Hose Assy	1
3	2379501	Hydraulic Hose Assy 30 Gal.	1
4	2379500	Hydraulic Hose Assy	1
5	2379000	Hydraulic Adaptor	1
6	2379001	Hydraulic Adaptor	1
7	2378901	Tee F/M/M	1
8	2379400	Check Valve	1
9	2379300	Ball Valve c/w Handle and Nut	1
10	2382700	Valve Return Spring	1
11	2378900	TeeM/F/M	1
12	2375699	Oil Tank Assy	1
13	2250700	Plug (Drilled)	1
14	2376200	Link Rod	1
15	078279-1	Ball Knob	1
16	F430	Hitch Pin	1
17	2379201	"0" Ring Boss 90°	1
18	2379203	"0" Ring .644"	1
19	2379200	"0" Ring Boss	1
20	2379202	"0" Ring .468"	1
21	2378800	Hydraulic Pump	1
22	078072-6P	Handwheel	1
23	078108-1 P	Revolving Handle	1
24	F212	Hex Screw	1
25	02973-4	Heyco Plug	1



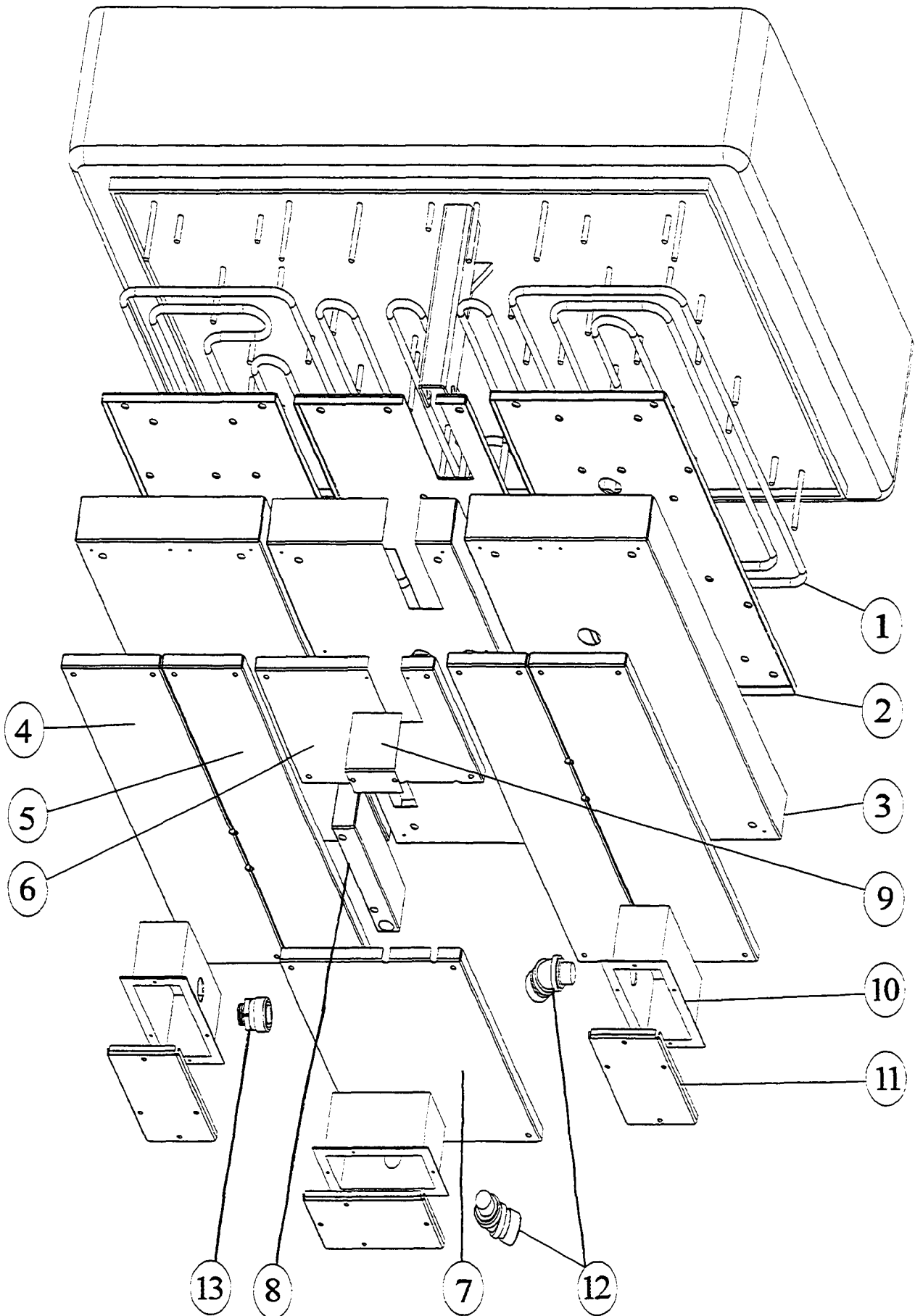
CONTROL PANEL

Item	Part No.	Description	Qty.
1	2343500	Power Switch	1
2	2343501	Tilt Switch (Power Tilt Only)	1
3	2138700	Dial	1
4	2360701	Dial Insert °C	1
5	23480	Graphic Overlay (Specify Model)	1
6	23561	Indicator Light - Green (Specify Voltage)	1
7	2356102	Indicator Light - Amber	1
8	2142002	Electronic Thermostat	1
9	050069	Terminal Block	8
10	F419	Sealer Washer	4
11	2147403	Liquid-Tight Fitting 5/8"	1
12	2147402	Liquid-Tight Fitting 3/8"	1
13	2147401	Liquid-Tight Fitting 5/16" (Power Tilt Only)	1
14	2147400	Liquid-Tight Fitting 3/16"	1
15	2352899	Control Box Assy - Power Tilt	1
16	2353100	Control Box Cover	1
17	2383200	Control Cover Gasket	1
18	2357900	Neoprene Gasket	1
19	2300600	High Limit	1



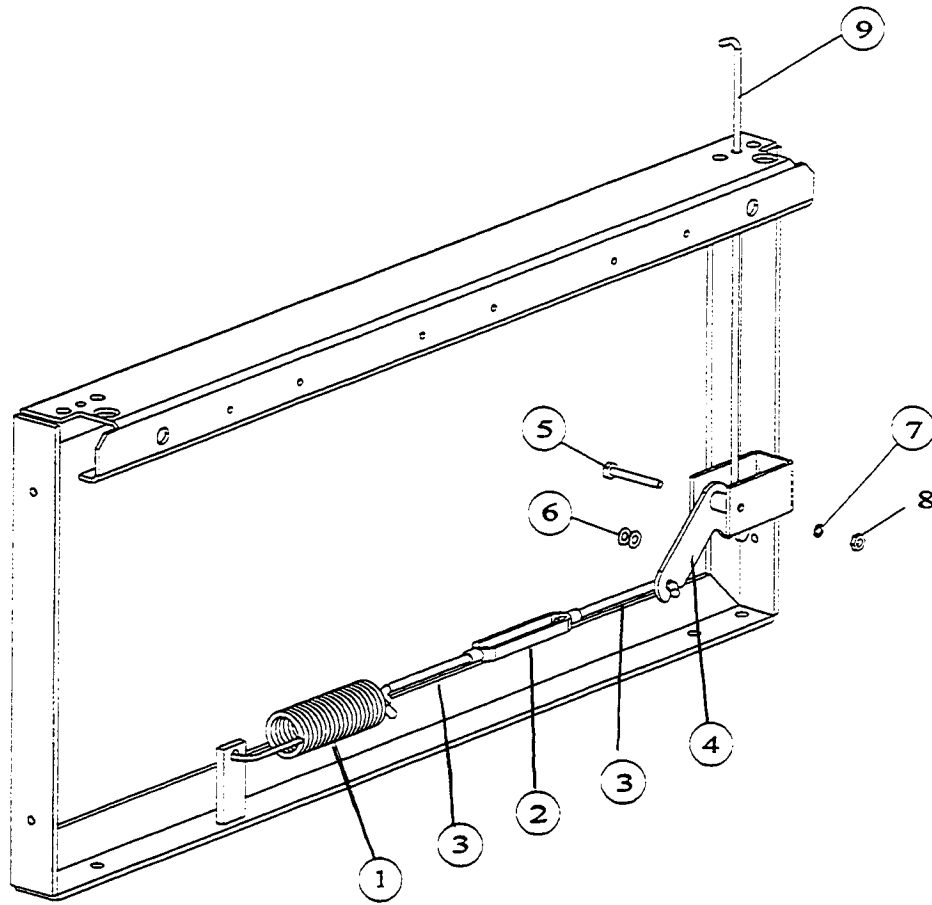
ELECTRICAL BOX

Item	Parts No.	Description	Qty.
1	077190-2	Transformer-Power Tilt 208/240/480V	1
	077190-4	Transformer-Power Tilt 220/380V	1
	077190-5	Transformer-Hand Tilt 208/240/480V	1
	077190-6	Transformer-Hand Tilt 220/380V	1
2	1427305	Capacitor (Power Tilt Only)	1
3	2282100	Capacitor Clamp (Power Tilt Only)	1
4	1426600	Resistor (Power Tilt Only)	1
5	077145-2	Rectifier (Power Tilt Only)	1
6	2320702	Fuse Holder	1
7	2346303	Fuse 1.5A MDL-Power Tilt 208/220/240V	1
	2346304	Fuse 0.5A AGC-Hand Tilt 208/220/240V	1
8	2346306	Fuse 1A AGC (Power & Hand Tilt)	1
9	2346302	Fuse 15A MDA (Power Tilt Only)	1
10	2147403	Liquid-Tight Fitting 5/8"	1
11	G01268-1	Terminal Block - 220/240V Export	4
		Terminal Block - 380/415/480V Export	3
		Terminal Block - All Domestic Models	1
	G01268-2	Terminal End	1
	G01280-4-7	Terminal Channel - 4 Blocks	1
	G01280-3-7	Terminal Channel - 3 Blocks	1
12	2147401	Liquid-Tight Fitting 5/16"	1
13	2348100	Sealed Switch	1
14	1489700	Contactactor 3 Pole - 208/240V Domestic	2
		Contactactor 3 Pole - 220/240V Export	1
	1489800	Contactactor 4 Pole - 380/415/480V	1
15	050069	Terminal Block - Junction	8
		Terminal Block - Line	2
16	050070	Terminal End	1
17	2274600	1/2" Liquid-Tight Connector Straight	3



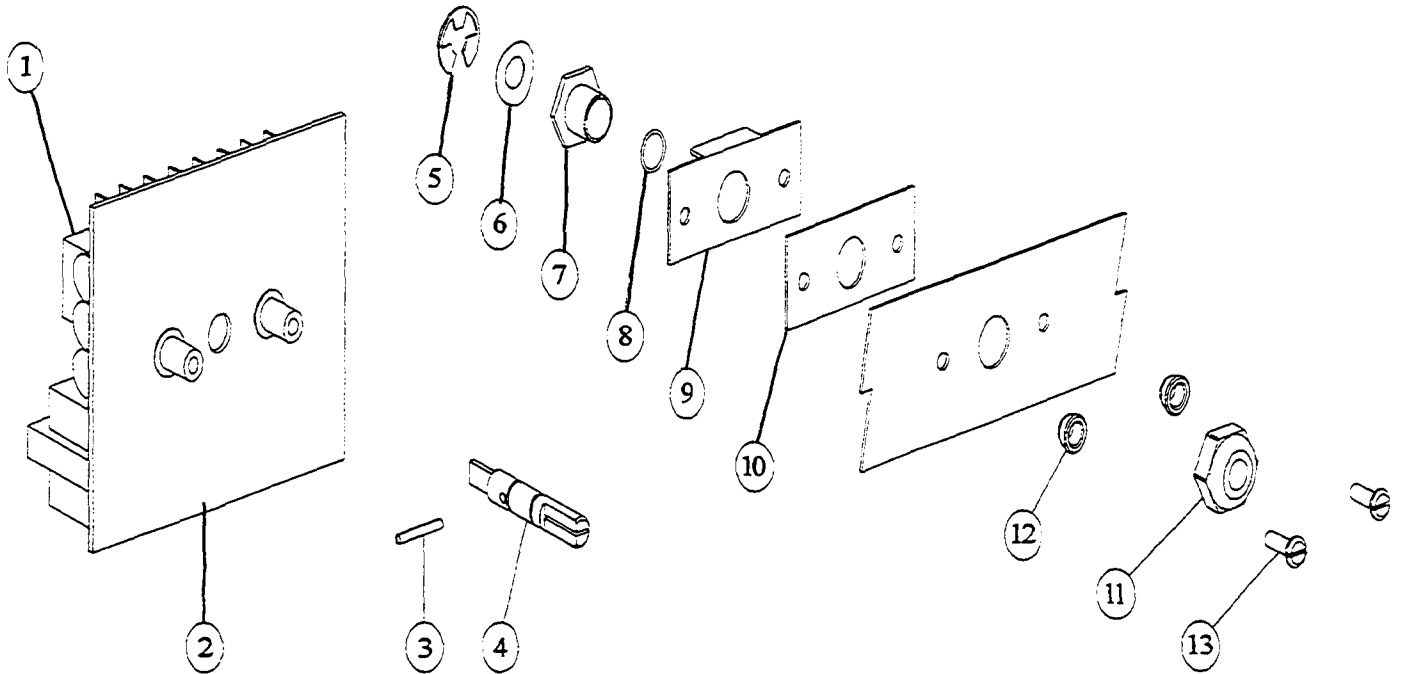
PAN

Item	Part No.	Description	Qty.
1	2356300	Element - Centre 4.8kw 208V 30 Gal.	1
	2373000	Element - Side 4.8kw 208V 30 Gal.	2
	2356302	Element - Centre 4.8kw 240V 30 Gal.	1
	2373002	Element - Side 4.8kw 240V 30 Gal.	2
	2356305	Element - Centre 4.8kw 480V 30 Gal.	1
	2373005	Element - Side 4.8kw 480V 30 Gal.	2
	2356200	Element - Centre 6.0kw 208V 40 Gal.	1
	2372400	Element - Side 6.0kw 208V 40 Gal.	2
	2356202	Element - Centre 6.0kw 240V 40 Gal.	1
	2372902	Element - Side 6.0kw 240V 40 Gal.	2
	2356205	Element - Centre 6.0kw 480V 40 Gal.	1
	2372905	Element - Side 6.0kw 480V 40 Gal.	2
	2	2364101	Element Clamp - Centre 30 Gal.
2364100		Element Clamp - Side 30 Gal.	2
2360301		Element Clamp - Centre 40 Gal.	1
2360300		Element Clamp - Side 40 Gal.	2
3	2364201	Element Cover - Centre 30 Gal.	1
	2364200	Element Cover - Side 30 Gal.	2
	2360401	Element Cover - Centre 40 Gal.	1
	2360400	Element Cover - Side 40 Gal.	2
4	2382000	Heat Baffle - Outer 30 Gal.	2
	2381200	Heat Baffle - Outer 40 Gal.	2
5	2381900	Heat Baffle - inner 30 Gal.	2
	2381300	Heat Baffle - Inner 40 Gal.	1
6	2382200	Heat Baffle - Centre Rear 30 Gal.	1
	2381500	Heat Baffle - Centre Rear 40 Gal.	2
7	2382100	Heat Baffle - Centre Front 30 Gal.	2
	2381400	Heat Baffle - Centre Front 40 Gal.	1
8	2364700	Bulb Shield	1
9	2372200	Enclosure Cover	1
10	2364300	Element Terminal Box	3
11	2364400	Terminal Box Cover	3
12	2274800	1/2" Liquid-Tight Connector 45°	2
13	2274600	1/2" Liquid-Tight Connector Straight	1



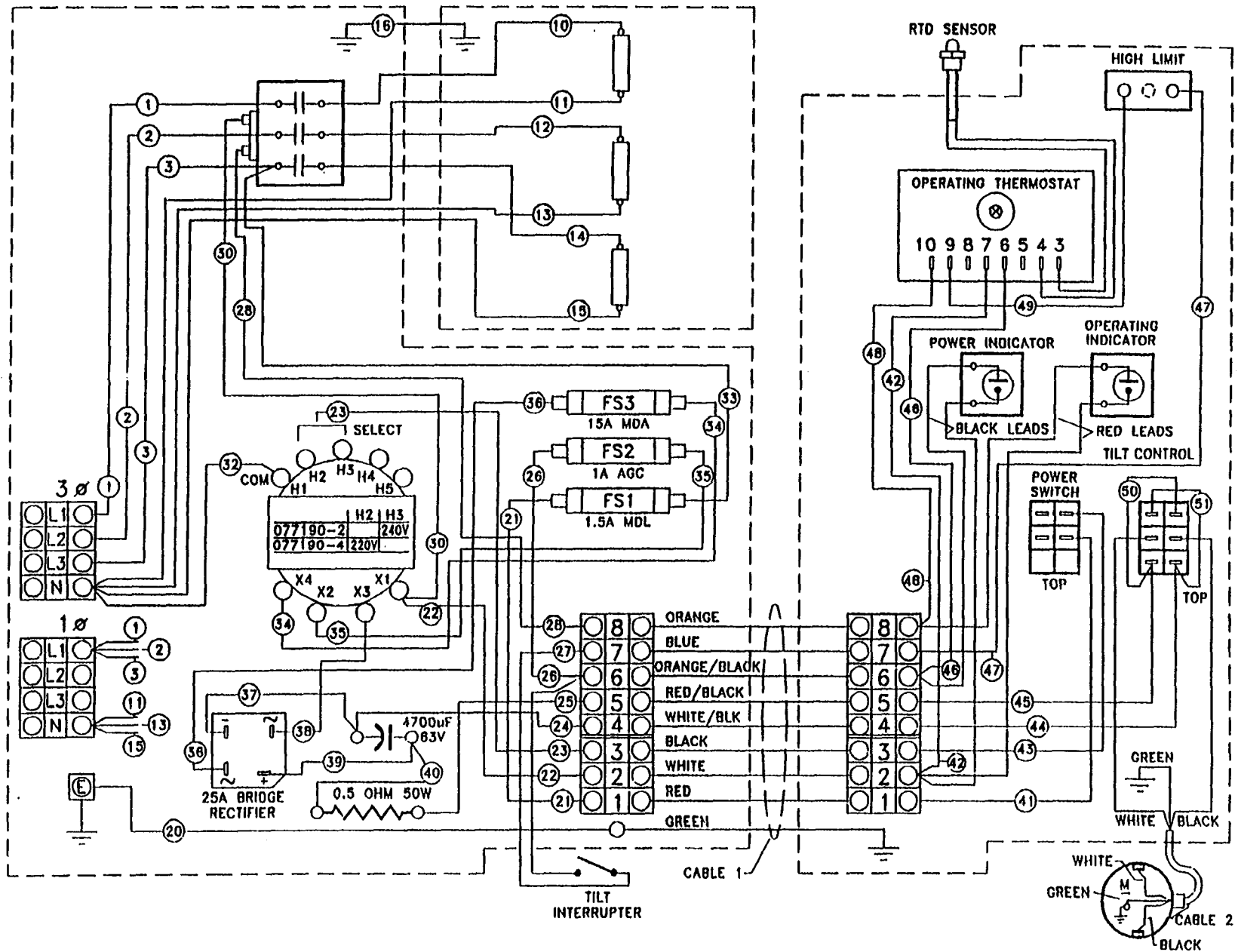
SPRING ASSY

Item	Part No.	Description	Qty.
1	2360600	Spring	2
2	2381700	Turnbuckle Body	2
3	2374900	Connecting Rod R/H Thread	1
	2374901	Connecting Rod L/H Thread	1
4	2372799	Bell Crank Assy R/H	1
	2372798	Bell Crank Assy L/H	1
5	F299	Bolt 1/4-20 x 1/2" Shoulder	2
6	F112	Flat Washer 3/8" I.D.	4
7	F255	Lock Washer 1/4" I.D.	2
8	F239	Nut 1/4-20 S.S.	2
9	2372400	Bell Crank Hook	2



SHAFT ASSY

Item	Part No.	Description	Qty.
1	2142002	Electronic Thermostat	1
2	2159300	Insulator - Thermostat	1
3	2167000	Spring Tension Pin	1
4	2166800	Potentiometer Shaft	1
5	2167200	Retaining Ring	1
6	2167100	Bowed Spring Washer	1
7	2167300	Panel Bearing Assy	1
8	2382800	Retaining Spring	1
9	2166900	Stop Plate	1
10	2358600	Stop Plate Spacer	1
11	2358200	Rotary Shaft Seal	1
12	F419	Sealer Washer	2
13	F163	Screw 6-32 x 3/8	2



	LOADING						1 PHASE.			5 PH				3 PH		
			L1	L2	L3		208	220	240	208	240	380	415	480	220/38	240/41
F40E	18.0		6	6	6			81.8	75.0						27.3	25.0
, F30E	14.4		4.8	4.8	4.8			65.5	80.0						21.8	20.0
SEL40	18.0		6	6	8			81.8	75.0 1						27.3	25.0
SEL30	14.4		4.8	4.8	4.8			85.5	60.0						21.8	20.0

58							
57							
56							
55							
54							
Cable 2	18	SVT	X		29		
Cable 1l	16	S090'	X		45.5		
51	18	TEW	X	BLACK	4	1	1/4 FAST ON-1/4 FAST ON
50	18	TEW	X	BLACK	4	1	1/4 FAST ON-1/4 FAST ON
49	18	TEW	X	BLUE	11	1	#1 RING-1/4 FAST ON
48	18	TEW	X	ORANGE	9	1	1/4 FAST ON-3/8 STRIP
47	18	TEW	X	BLUE	11	1	# RING-3/8 STRIP
46	18	TEW	X	BLACK	9	1	1/4 FAST ON-3/8 STRIP
45	16	TEW	X	RED	9	1	1/4 FAST ON-3/8 STRIP
44	16	TEW	X	BLACK	9	1	1/4 FAST ON-3/8 STRIP
43	18	TEW	X	RED	9	1	1/4 FAST ON-3/8 STRIP
42	18	TEW	X	WHITE	9	1	1/4 FAST ON-.3/8 STRIP
41	18	TEW	X	RED	9	1	1/4 FAST ON-3/8 STRIP
40	16	TEW	X	RED	8	1	3/8 STRIP-3/8 STRIP
39	16	TEW	X	RED	8	1	3/8 STRIP-1/4 FAST ON
38	16	TEW	X	BLACK	8	1	1/4 FAST ON-#8 RING
37	16	TEW	X	BLACK	8	1	3/8 STRIP-1/4 FAST ON
36	16	TEW	X	BLACK	27	1	1/4 FAST ON-1/4 FAST ON
35	18	TEW	X	BLACK	23	1	1/4 FAST ON-#8 RING
34	16	TEW	X	BLACK	23	1	1/4 FAST ON-#8 RING
33	18	TEW	X	RED	32	1	1/4 FAST ON-#10 RING
32	16	TEW	X	BLACK	29	1	#8 RING-1/2 STRIP
31							
30	18	TEW	X	WHITE	17	1	1/4 STRIP- #8 RING
No.	GA.	Type	SOLID Strand	COLOR	LENGTH	QTY	CONNECTIONS

29							
28	18	TEW	X	ORANG	33	1	3/8 STRIP-1/4 FAST ON
27	18	SO	X	BLACK	TILT SW		1/4 INTERRUPT LEAD
26	18	TEW	X	BLACK	25		3/8 STRIP-1/4 FAST ON
25	16	TEW	X	RED	24		3/8 STRIP-3/8 STRIP
24	16	TEW	X	BLACK	24		3/8 STRIP-3/8 STRIP
23	16	TEW	X	RED	26		3/8 STRIP-#8 RING
22	18	TEW	X	WHITE	22		3/8 STRIP-#8 RING
21	16	TEW	X	RED	21	1	3/8 STRIP-1/4 FAST ON
20	16	TEW	X	GREEN	20	1	#10 RING-#10 RING
19							
18							
17							
16	10	CL125	X	GREEN	10	1	#10 RING-#10 RING
15	10	SEW-1	X	BLACK	94	1	1/2 STRIP-#10 Ring
14	10	SEW-1	X	RED	79	1	#10 RING-#10 RING
13	10	SEW-1	X	BLACK	85	1	1/2 STRIP-#10 RING
12	10	SEW-	X	RED	70	1	#10 RING-#10 RING
11	10	SEW-1	X	BLACK	78	1	1/2 STRIP-#10 0 RING
10	10	SEW-1	X	RED	63	1	#10 RING-#10 RING
9							
8							
7							
6							
5							
4							
3	10	SEW-1	X	RED	22	1	1/2 STRIP-#10 RING
2	10	SEW-1	X	RED	22	1	1/2 STRIP- #10 RING
1	10	SEW-1	X	RED	22	1	1/2 STRIP-#10 RING
NO	GA.	TYPE	SOLID STRAND	COLOR	TG3/TG4 LENGTH	QTY	CONNECTIONS

DESCRIPTION	DR.	DATE	REV. #
REVISIONS			

USE FROM SERIAL No. _____ TO _____

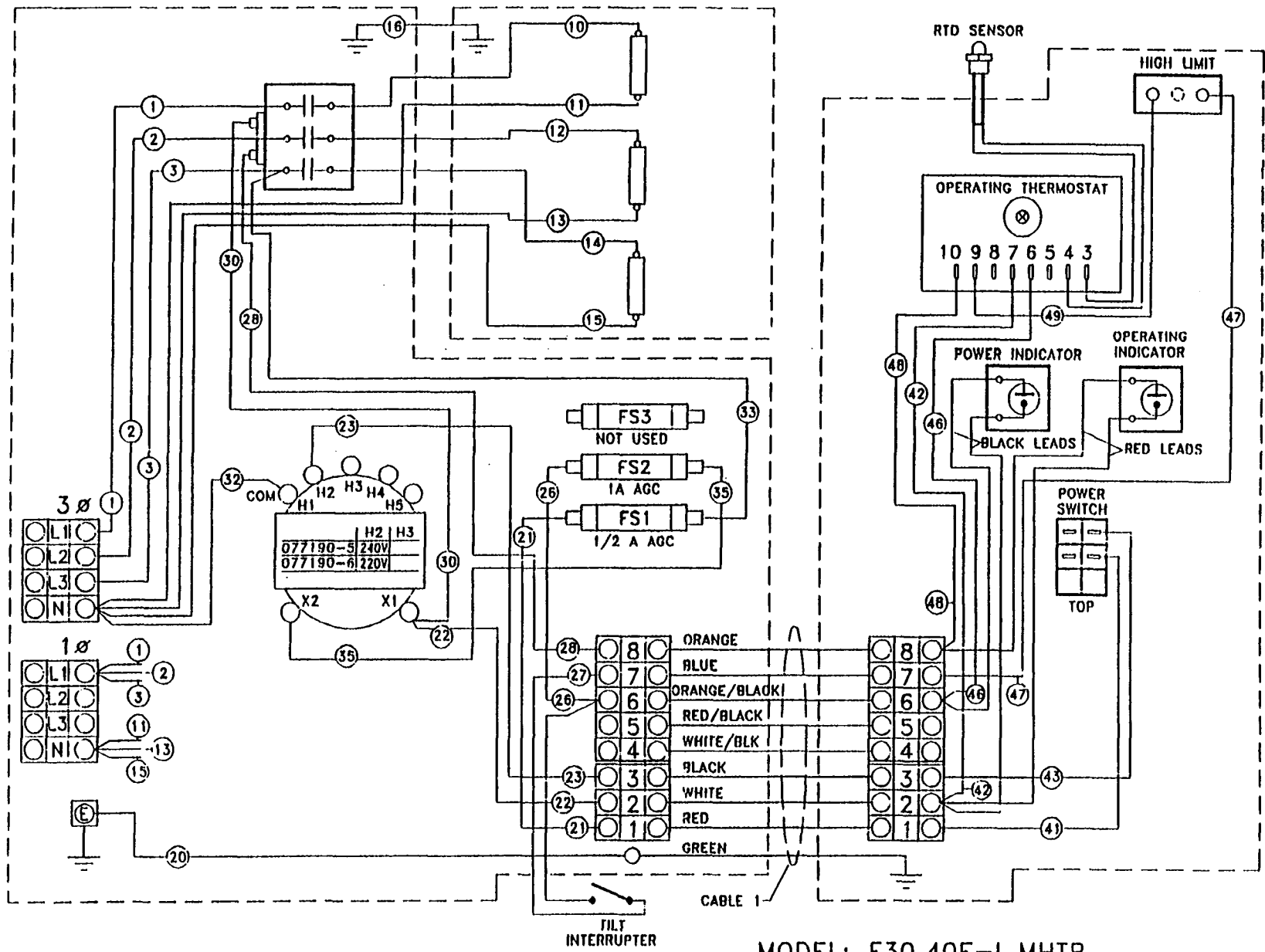
1 MODEL
No.

DATE! OCT.
1/93

OR;
A.V

220/240V 3N~

2375301/



MODEL: F30,40E-L,MHTR
 SEL.M-30,40HTR
 220/240V 3N ~

DWG:2375302

MODEL	TOTAL K.W. LOADING		K.W. LOADING PER LINE				NOMINAL AMPS PER LINE									
							1 PHASE			3 PH			3 PH			
			LI	L2	L3		208	220	240	208	240	380	415	480	220/380	240/415
F40E	10.0		6	6	6			81.8	75.0						27.3	25.0
F30E	14.4		4.8	4.8	4.8			65.5	60.0						21.8	20.0
SEL40	18.0		6	6	6			81.8	75.0						27.3	25.0
SEL30	14.4		4.8	4.8	4.8			65.5	60.0						21.8	20.0

58							
57							
56							
55							
54							
cable	16	S090-C	X		45.5		
51							
50							
49	18	TEW	X	BLUE	11	1	#10 RING-1/4 FAST ON
48	18	TEW	X	ORANGE	9	1	1/4 FAST ON-3/8 STRIP
47	18	TEW	X	BLUE	11	1	#10 RING-3/8 STRIP
46	18	TEW	X	BLACK	9	1	1/4 FAST ON-3/8 STRIP
45	16	TEW	X	RED	9	1	1/4 FAST ON-3/8 STRIP
44	16	TEW	X	BLACK	9	1	1/4 FAST ON-3/8 STRIP
43	18	TEW	X	RED	9	1	1/4 FAST ON-3/8 STRIP
42	18	TEW	X	WHITE	9	1	1/4 FAST ON-3/8 STRIP
41	18	TEW	X	RED	9	1	1/4 FAST ON-3/8 STRIP
40							
39							
38							
37							
36							
35	18	TEW	X	BLACK	23	1	1/4 FAST ON-#8 RING
34							
33	18	TEW	X	RED	32	1	1/4 FAST ON-#10 RING
32	18	TEW	X	BLACK	29	1	#8 RING-1/2 STRIP
31							
30	18	TEW	X	WHITE	17	1	1/4 STRIP-#8 RING
No.	GA.	TYPE	SOLID STRAND	COLOR	L.LENGTH	QTY	CONNECTIONS

29							
28	18	TEW	X	ORANGE	33	1	3/8 STRIP-1/4 FAST ON
27	18	SO	X	BLACK	TILT SW	1	1/4 INTERRUPT LEAD
26	18	TEW	X	BLACK	25	1	3/8 STRIP-1/4 FAST ON
25							
24							
23	16	TEW	X	RED	26	1	3/8 STRIP-#8 RING
22	18	TEW	X	WHITE	22	1	3/8 STRIP-#8 RING
21	16	TEW	X	RED	21	1	3/8 STRIP-1/4 FAST ON
20	16	TEW	X	GREEN	20	1	#10 RING-#10 RING
19							
18							
17							
16	10	CL1251	X	GREEN	10	1	#10 RING-#10 RING
15	10	SEW-1	X	BLACK	94	1	1/2 STRIP-#10 RING
14	10	SEW-1	X	RED	79	1	#10 RING-#10 RING
13	10	SEW-1	X	BLACK	85	1	1/2 STRIP-#10 RING
12	10	SEW-1	X	RED	70	1	#10 RING-#10 RING
11	10	SEW-1	X	BLACK	78	1	1/2 STRIP-#10 RING
10	10	SEW-1	X	RED	63	1	#10 RING-#10 RING
9							
8							
7							
6							
5							
4							
3	10	SEW--1	X	RED	22	1	1/2 STRIP-#10 RING
2	10	SEW-1	X	RED	22	1	1/2 STRIP-#10 RING
1	10	SEW-1	X	RED	22	1	1/2 STRIP-#10 RING
No.	GA.	TYPE	SOLID STRAND	COLOR	TG3/TG4 LENGTH	QTY	CONNECTIONS

USE FROM SERIAL No. _____ TO _____

MODEL No.:
F30,40E-L,MHTR
SEL,M-30.40HTR
220/240V 3N~

DATE:
OCT.1/93
2375302

DR:
A.V.