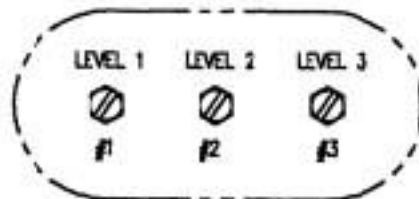
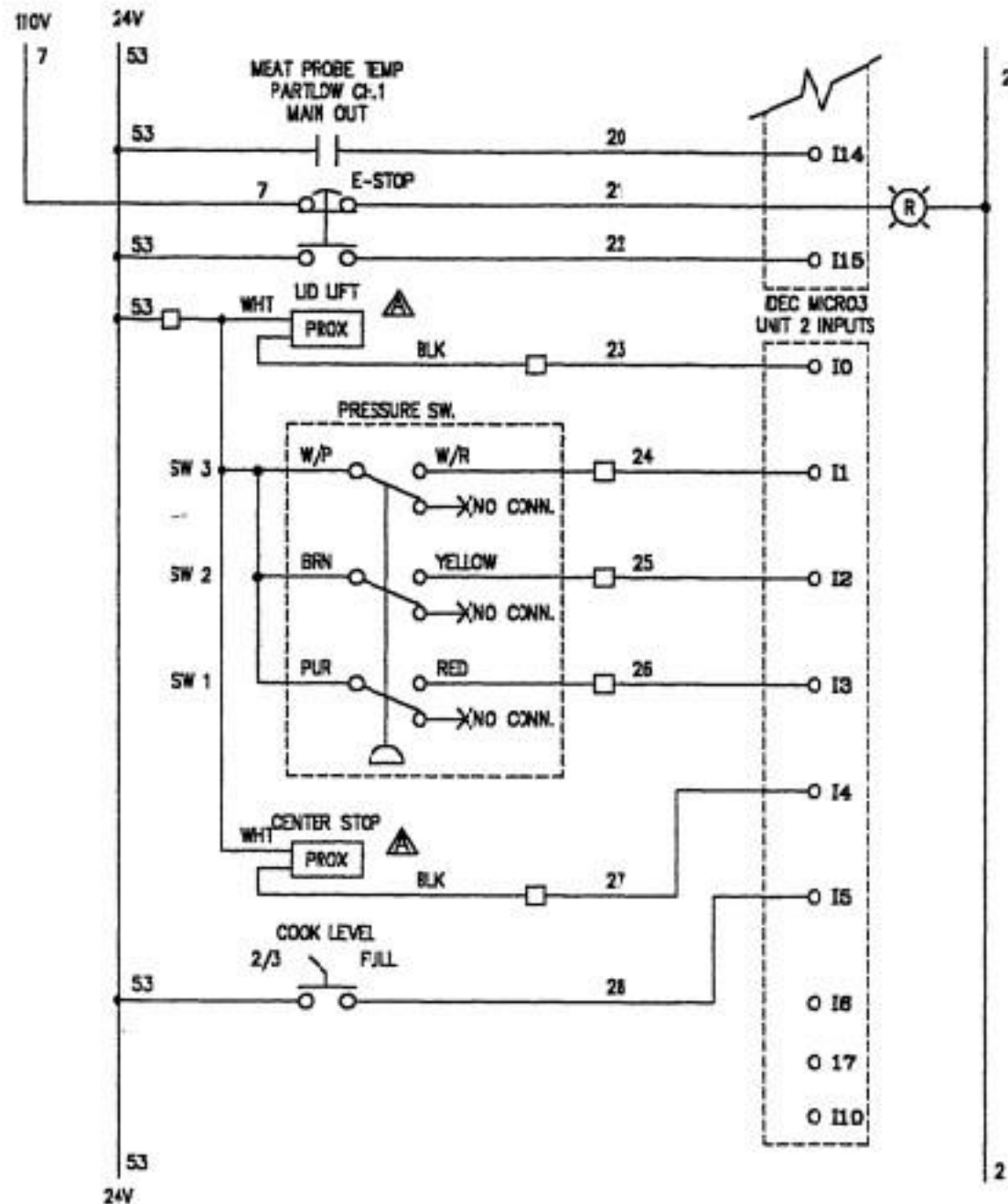


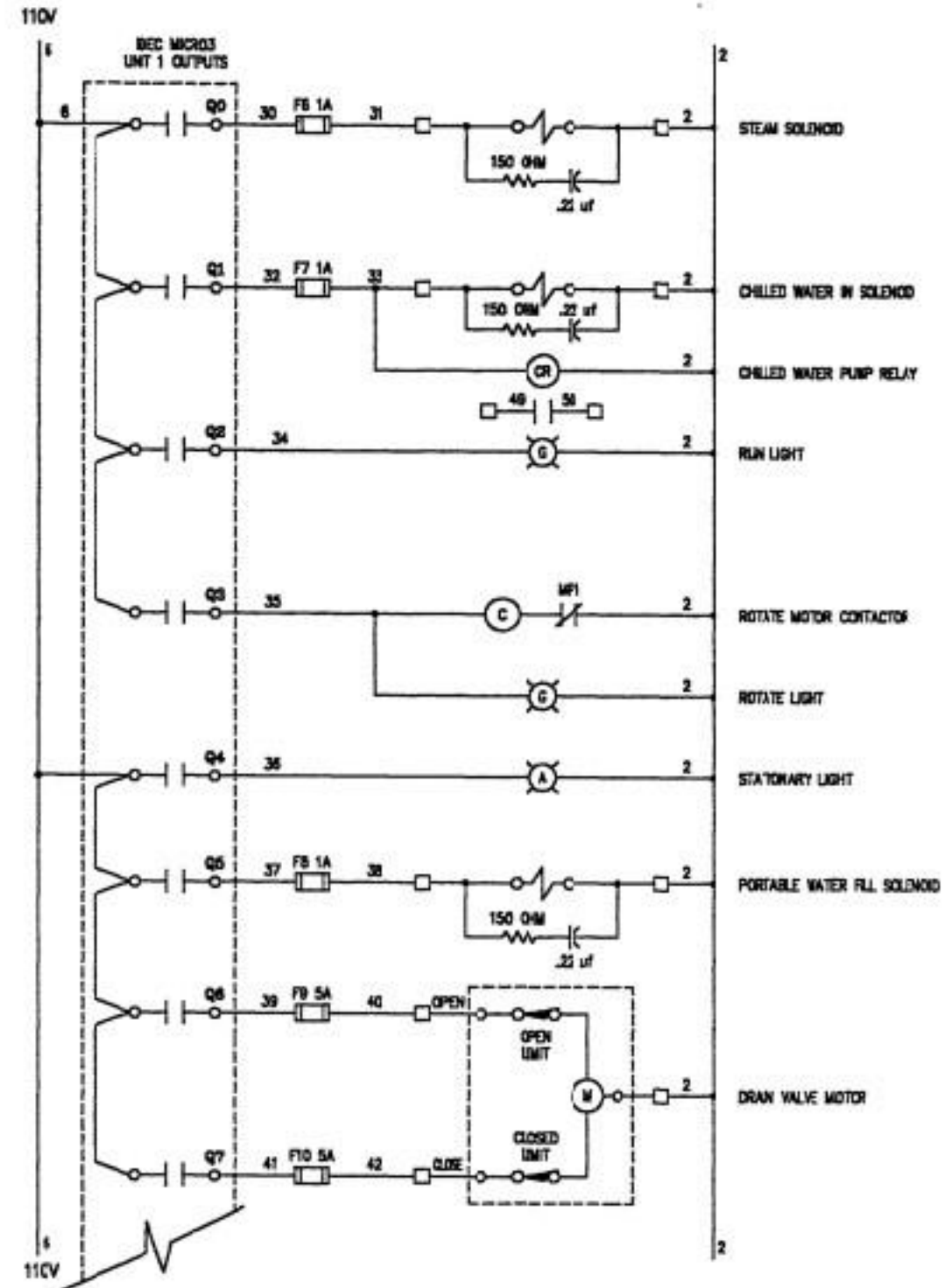
NOTES:  
 1) 49 & 50 DRY CONTACTS FOR OPTIONAL CHILLED WATER PUMP.

FUSE NOTES:  
 FUSES F1-F3 FNQ-R RATED 600 VOLTS  
 FUSES F4-F10 FNM RATED 250 VOLTS

<b>J.C. PARDO &amp; SONS INC.</b> 1250 REAMES RD. BALTO MD. 21220 PHONE (410) 391-3600 FAX (410) 391-9048		CHECKED BY: _____ DRAWN BY: JES DATE: 1-4-00 APPROVED BY: _____ SCALE: NONE	<b>ELECTRICAL SCHEMATICS TC/CT-60</b> <b>208V-3PH-60HZ</b> <small>This drawing and all information contained therein is the property of J.C. Pardo &amp; Sons Inc. Balto MD. The drawing and all information is confidential and must not be made public or project. It is loaned, subject to return upon demand and is not to be used directly or indirectly in any way detrimental to J.C. Pardo &amp; Sons.</small>	REV: C DRAWING NUMBER: ES-0185 SHEET: 4 of 4	
REV	DESCRIPTION	BY	DATE	REVISIONS	



**WATER LEVEL SWITCH**  
 TO ADJUST THE WATER LEVEL TURN THE DESIRED SCREW  
 CLOCKWISE TO DECREASE THE WATER LEVEL OR  
 COUNTER CLOCKWISE TO INCREASE THE WATER LEVEL.



**FUSE NOTES:**  
 FUSES F1-F3 FNQ-R RATED 600 VOLTS  
 FUSES F4-F10 FNM RATED 250 VOLTS

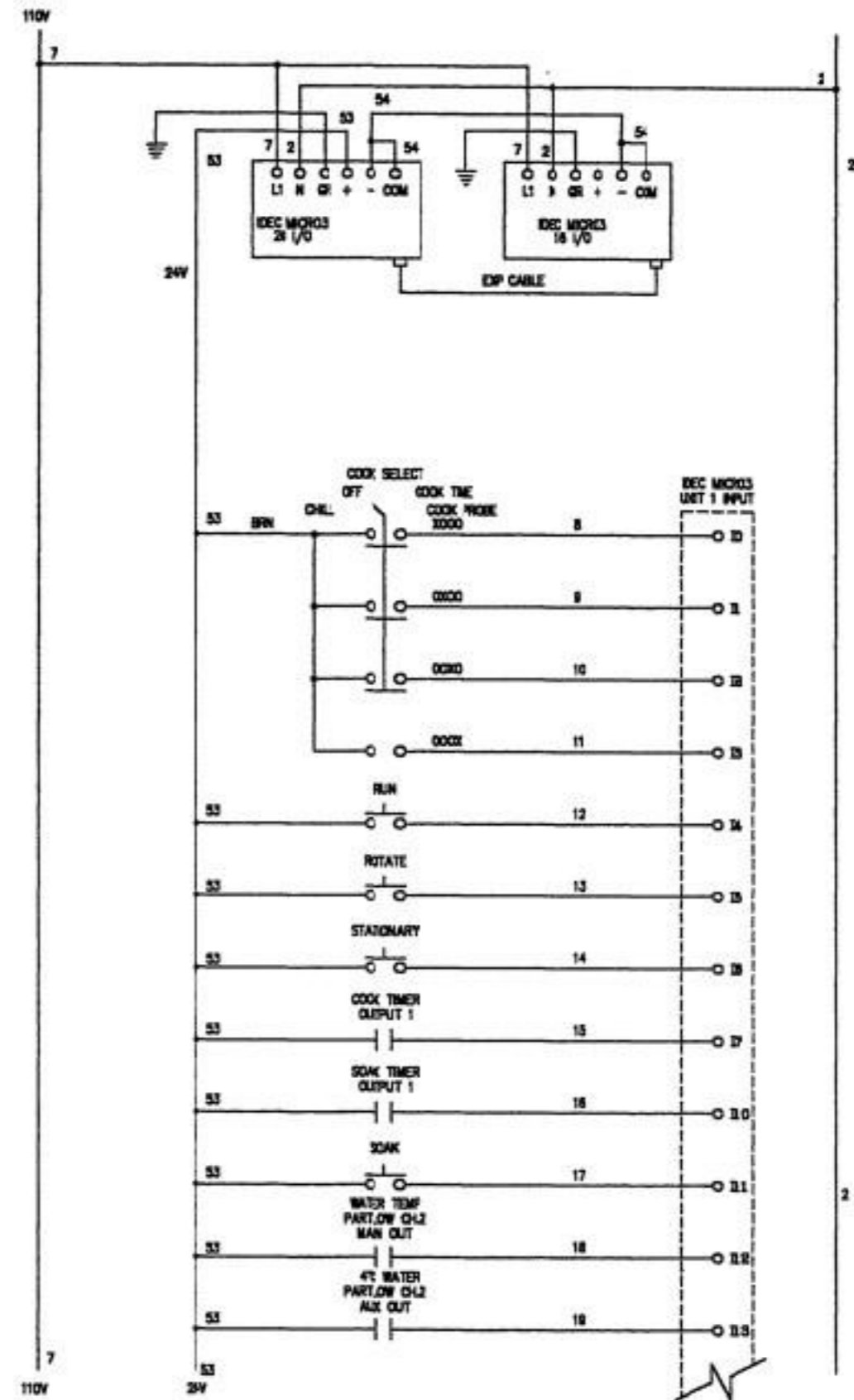
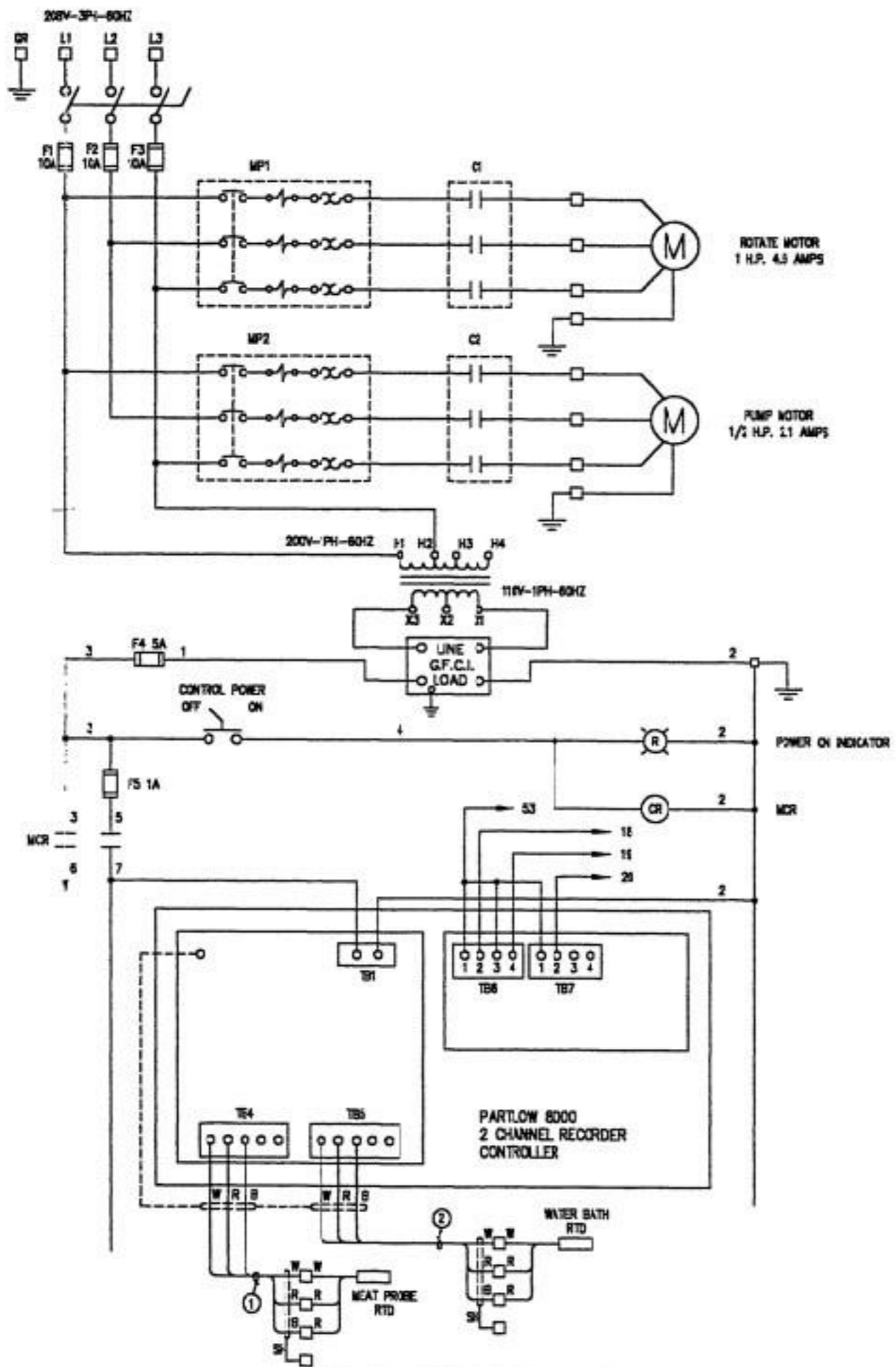
REV.	DESCRIPTION	BY	DATE
A	CHANGED WIRE COLORS	G.E.A.	3/2/00
REVISIONS			

**J.C. PARDO & SONS INC.**  
 1250 REAMES RD. BALTO MD. 21220  
 PHONE (410) 391-3800 FAX (410) 391-9043

DESIGNED BY	DATE
APPROVED BY	SCALE

**ELECTRICAL SCHEMATICS TC/CT-60**  
 208 V-3PH-60HZ  
 This drawing and all information contained therein is the property of J.C. Pardo & Sons Inc. Balto MD. The drawing and all information is confidential and must not be made public or copied. It is loaned subject to return upon demand and is not to be used directly or indirectly in any way detrimental to J.C. Pardo & Sons.

REV.	DRAWING NUMBER
C	ES-0185
REV.	SHEET
A	2 of 4

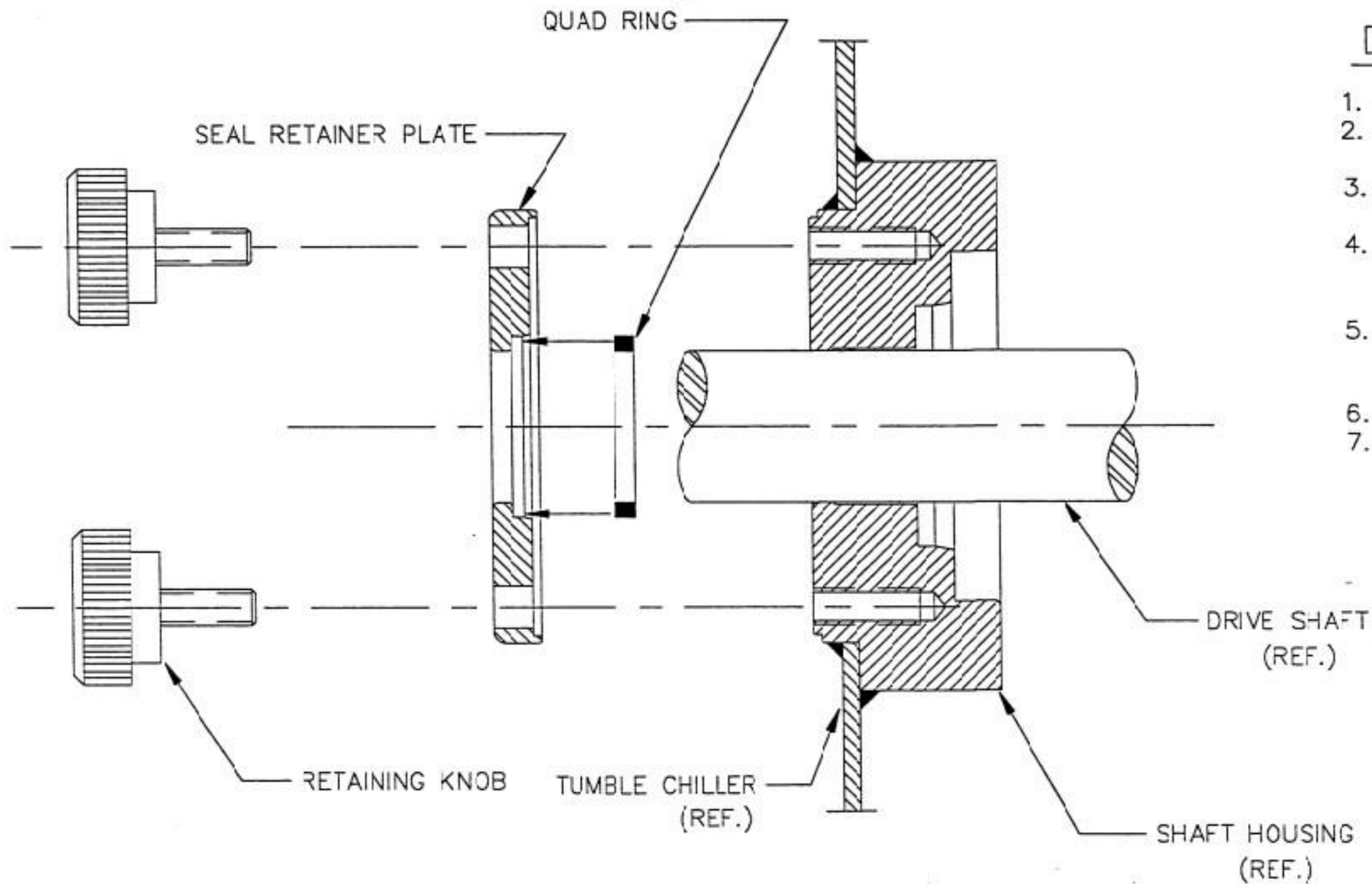


FUSE NOTES:  
 FUSES F1-F3 FNQ-R RATED 600 VOLTS  
 FUSES F4-F10 FNM RATED 250 VOLTS

REV.	DESCRIPTION	BY	DATE	<b>J.C. PARDO &amp; SONS INC.</b> 1250 REAMES RD. BALTO MD. 21220 PHONE (410) 391-3600 FAX (410) 391-9042	DESIGNED BY: DRAWN BY: JES DATE: 1-4-00 CHECKED BY: SCALE: NONE	<b>ELECTRICAL SCHEMATICS TC/CT-60</b> 208V-3PH-60HZ <small>This drawing and all information contained therein is the property of J.C. Pardo &amp; Sons Inc. Baltimore MD. The drawing and all information is confidential and must not be made public or copied. It is loaned subject to return upon demand and is not to be used directly or indirectly in any way detrimental to J.C. Pardo &amp; Sons.</small>	REV: C SHEET: 1 of 4 DRAWING NUMBER: ES-0185
REVISIONS							

## DAILY CLEANING :

1. REMOVE RETAINING KNOBS.
2. SLIDE SHAFT SEAL RETAINER PLATE AWAY FROM SHAFT HOUSING.
3. SLIDE QJAD RING AWAY FROM SHAFT HOUSING.
4. CLEAN QUAD RING AND APPLY A LIGHT COAT OF 622 CHESTERTON WHITE FOOD GRADE GREASE OR EQUIVALENT.
5. SLIDE QUAD RING TOWARDS SHAFT HOUSING MAKING SURE THE QUAD RING DOES NOT TWIST.
6. SLIDE PLATE TOWARDS SHAFT HOUSING.
7. REPLACE RETAINING KNOBS.  
HAND TIGHTEN ONLY.



**J.C.PARDO & SONS INC.**

1250 REAMES RD.  BALTO. MD. 21220

SCALE: NONE

APPROVED BY:

DRAWN BY:

DATE: 10-8-94

*WLG* 1/27/95

JAY SCOTT

DAILY CLEANING OF SHAFT SEAL &  
RETAINING PLATE FOR TUMBLE CHILLER

SIZE:

DRAWING NUMBER:

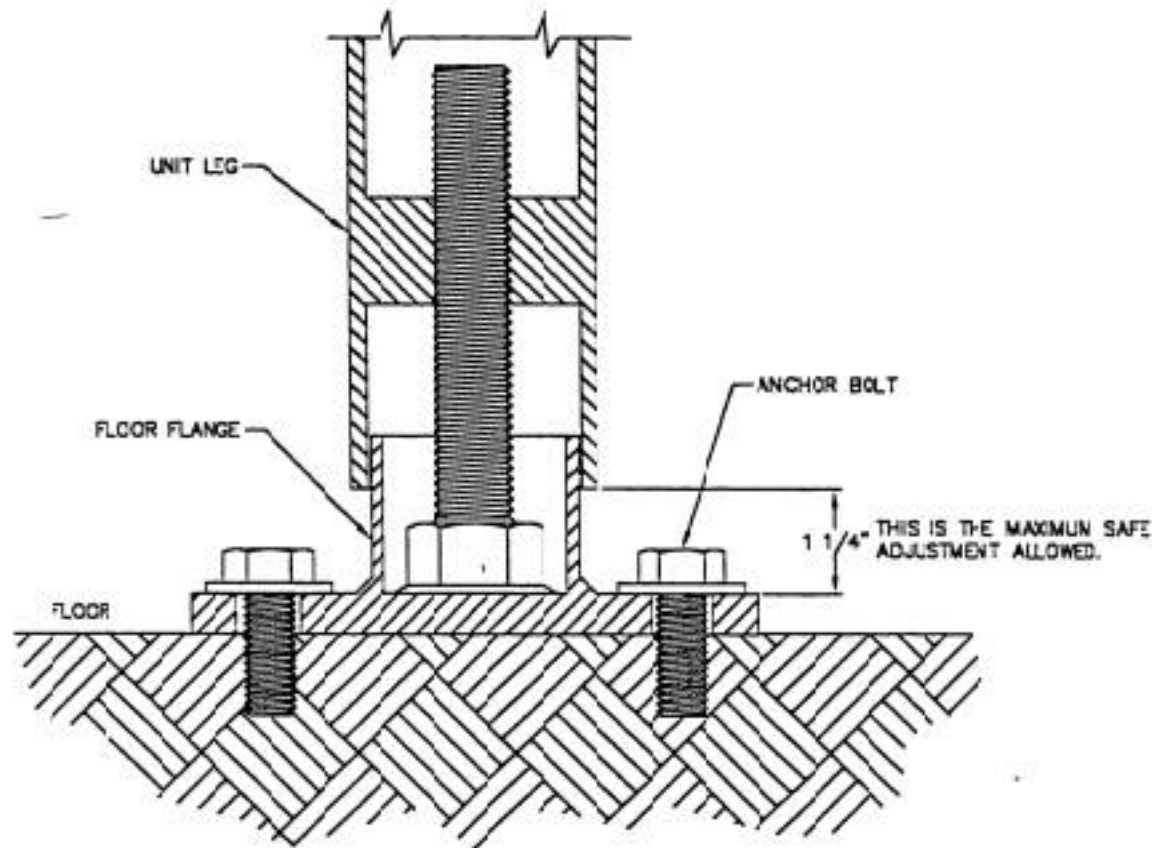
REV.

B

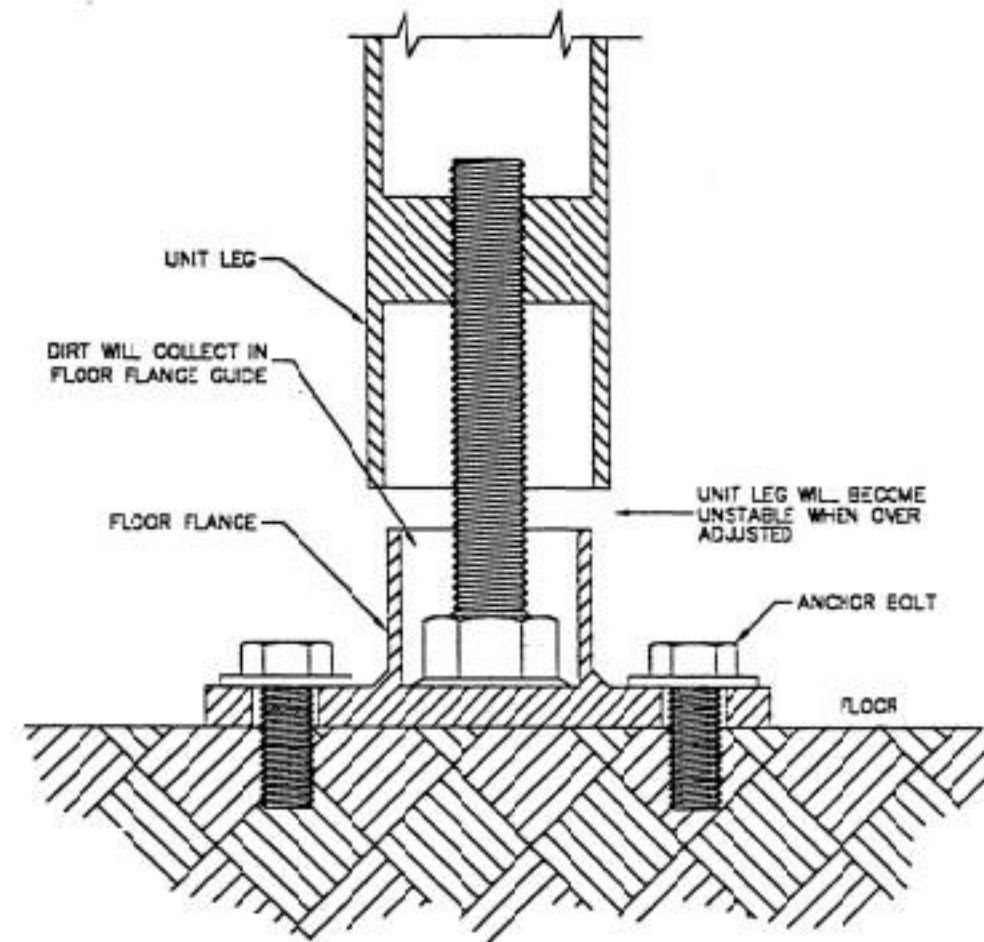
8546

**NOTES:**

AFTER UNIT IS LEVEL, ANCHOR ALL FLOOR FLANGES TO THE FLOOR BY USING AN ANCHOR BOLT IN EACH HOLE OF THE FLANGES.



CORRECT ADJUSTMENT OF FLOOR FLANGE



INCORRECT ADJUSTMENT OF FLOOR FLANGE

**J.C.PARDO & SONS INC.**

1250 REAMES RD.  
PHONE (410) 391-3600



BALTO MD. 21220  
FAX (410) 391-9042

CHECKED BY:

DRAWN BY: JAY S.

**2" TO 2 1/2" FLOOR FLANGE  
ADJUSTMENT INSTRUCTIONS**

SIZE:

E

DRAWING NUMBER:

8576

APPROVED BY:

DATE: 4-27-96

This drawing and all information contained therein is the property of J.C. Pardo & Sons Inc., Balto MD. The drawing and all information is confidential and must not be made public or copied. It is loaned subject to return upon demand and is not to be used directly or indirectly in any way detrimental to J.C. Pardo & Sons.

REV.

SHEET

SCALE: NONE

1 of 1