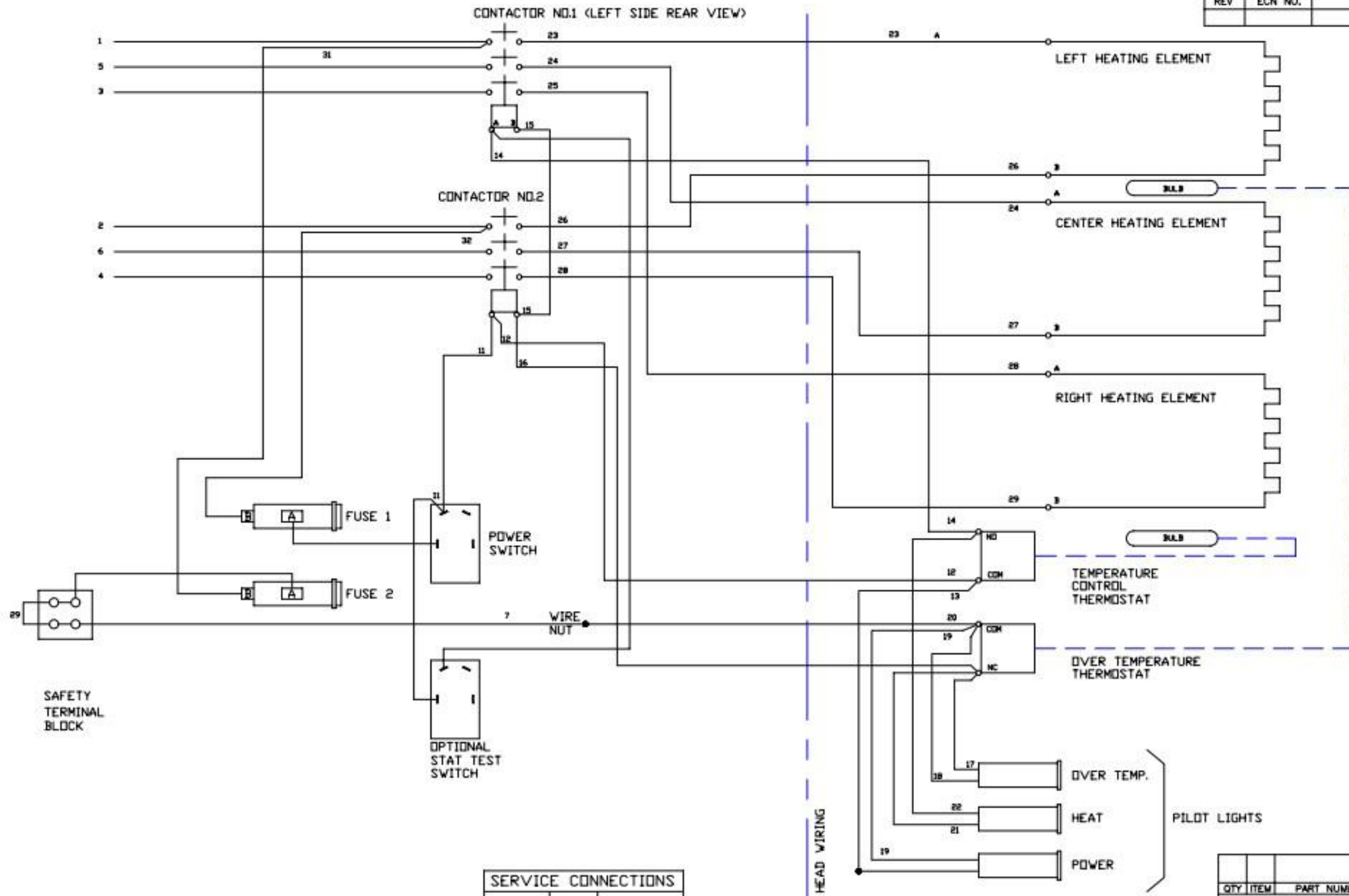


REVISION BLOCK

REV	ECN NO.	DESCRIPTION	DR:	MFG	ENG	DATE



SERVICE CONNECTIONS		
THREE PHASE	L1	1,4
	L2	2,5
	L3	3,6
SINGLE PHASE	L1	1,3,5
	L2	2,4,6

CLS ONLY

QTY	ITEM	PART NUMBER	DESCRIPTION / MATERIAL
<b>LANG MANUFACTURING</b>			
DR: <b>DDM</b> DATE: <b>1-18-98</b>		TITLE: <b>CLF-15 MARINE FRYER</b>	
CK:      DATE:		<b>220 VAC</b>	
<small>TOLERANCES            FRACTIONS    DECIMALS            ± 1/64        .X ± .05            ANGLES       .XX ± .015            .5"            .XX ± .015            UNLESS OTHERWISE SPECIFIED            DIMENSIONS ARE IN INCHES</small>			
NEXT HIGHER ASSY.		SHEET	DRAWING NUMBER
SCALE: 10 FT		<b>1 OF 1</b>	<b>61116-16</b>
			REV <b>A</b>