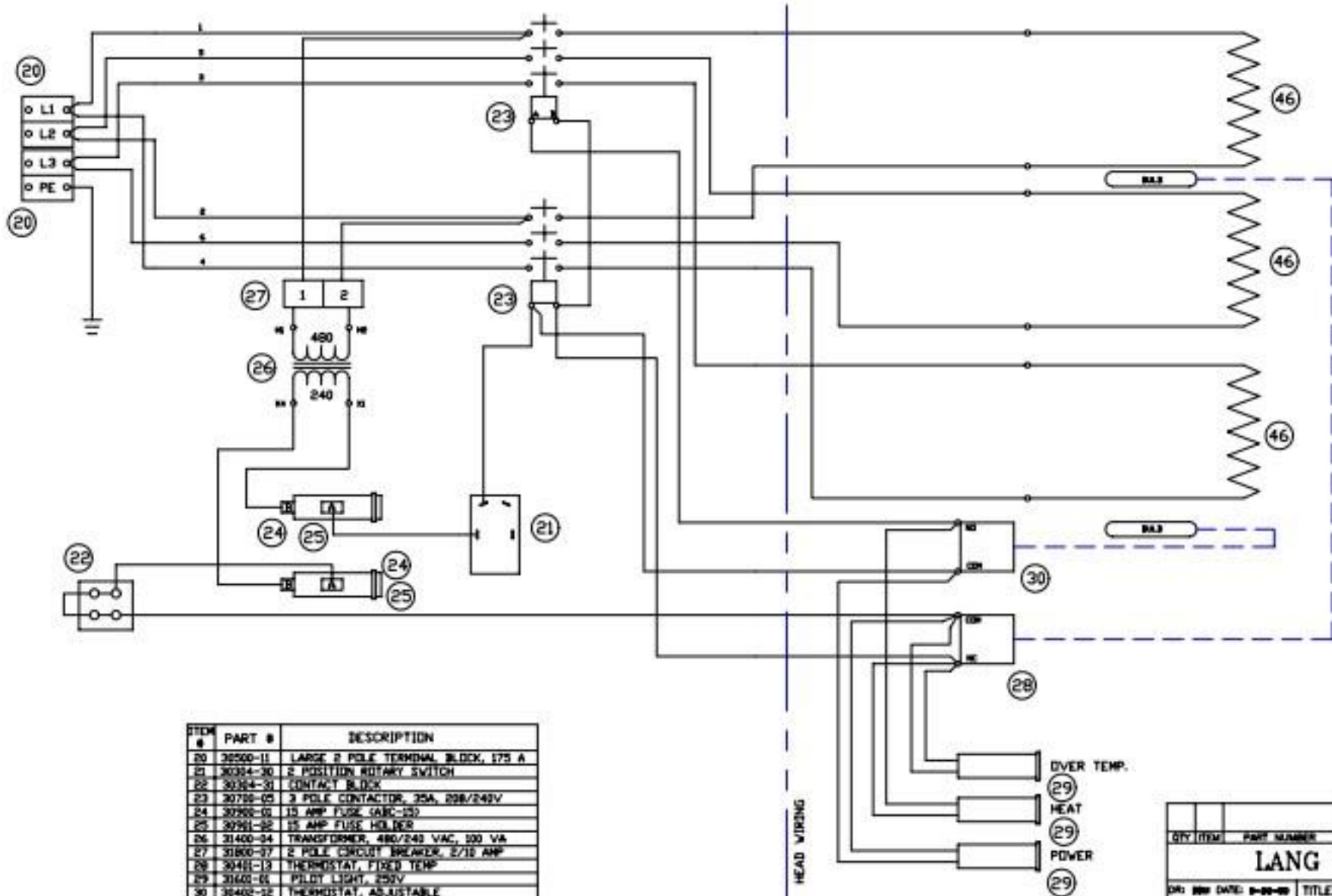


REVISION BLOCK						
REV	EDN NO.	DESCRIPTION	DR.	MFG	ENG	DATE



ITEM #	PART #	DESCRIPTION
20	30500-11	LARGE 3 POLE TERMINAL BLOCK, 175 A
21	30334-30	2 POSITION ROTARY SWITCH
22	30334-31	CONTACT BLOCK
23	30720-05	3 POLE CONTACTOR, 35A, 208/240V
24	30250-01	15 AMP FUSE (ARC-23)
25	30251-02	15 AMP FUSE HOLDER
26	31400-04	TRANSFORMER, 480/240 VAC, 100 VA
27	31800-07	2 POLE CIRCUIT BREAKER, 2/10 AMP
28	30411-13	THERMOSTAT, FIXED TEMP
29	31600-01	PILOT LIGHT, 290V
30	30402-02	THERMOSTAT, ADJUSTABLE
46	11110-39	ELEMENT, 480V, 4kW

HEAD WIRING

- OVER TEMP. (29)
- HEAT (29)
- POWER (29)

QTY	ITEM	PART NUMBER	DESCRIPTION / MATERIAL
<b>LANG MANUFACTURING</b>			
DR: 88W DATE: 9-20-88		TITLE: CLF-15-S & CLF-L15-S	
CR: DATE:		480 VAC, 3 PHASE	
TOLERANCES FRACTIONS DECIMALS & 1/64 .01 & .05 .0005 .01 & .02 & .01 .001 & .015 UNLESS OTHERWISE SPECIFIED DIMENSIONS ARE IN INCHES		NEXT HIGHER ASSY.	SHEET
SCALE: TO FIT		1 of 1	DRAWING NUMBER
			61131-14
			REV
			A