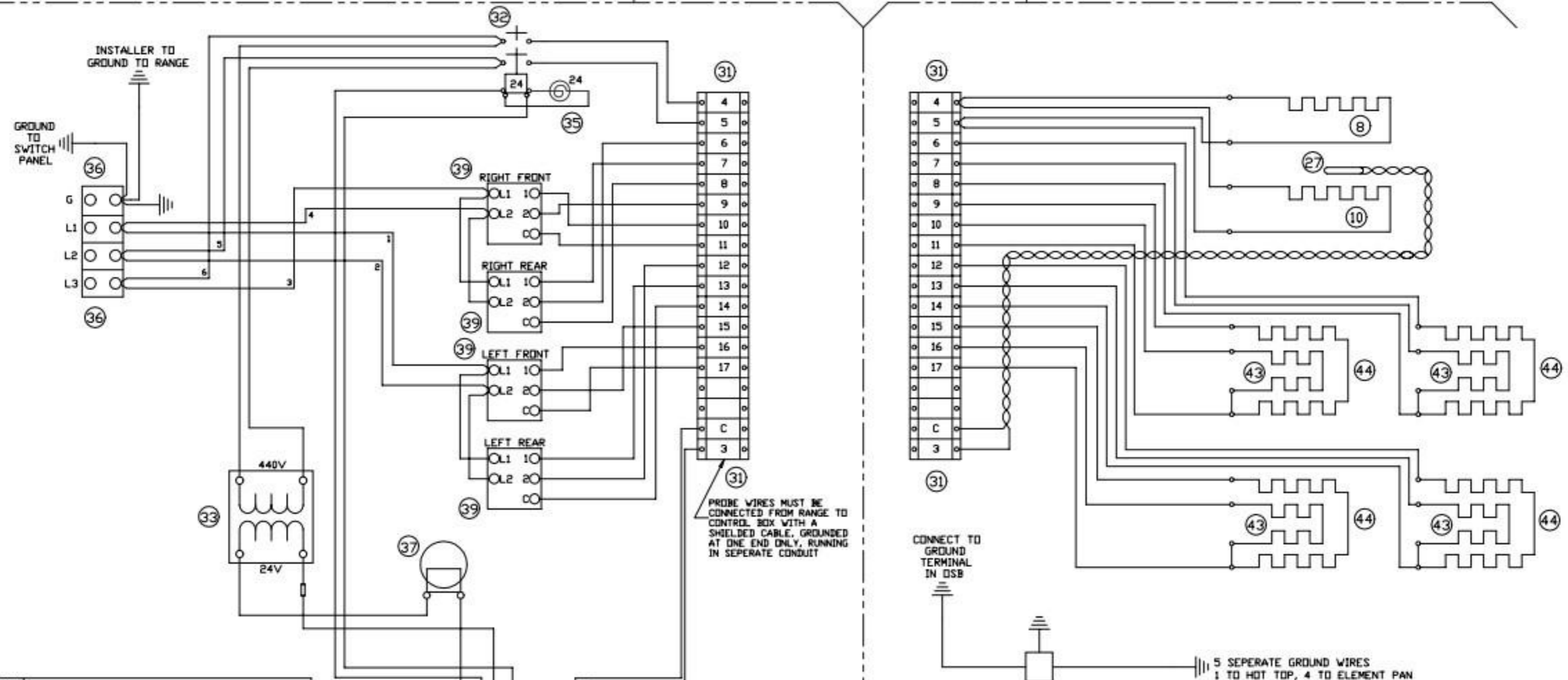


REVISION BLOCK

REV	ECN NO.	DESCRIPTION	DR.	MFG	ENG	DATE

OVERHEAD SWITCH BOX

RANGE



ITEM NO.	DESCRIPTION
8	OVEN TOP ELEMENT, 440V, 1500W
10	OVEN BOTTOM ELEMENT, 440V
27	OVEN TEMPERATURE PROBE
31	10 POLE TERMINAL STRIP, 30A, 600V
32	2 POLE CONTACTOR, 30A, 24VAC
33	TRANSFORMER, 480/24 VAC
35	INDICATOR LIGHT
36	2 POLE TERMINAL BLOCK
37	2 POSITION ROTARY SWITCH
38	SWITCH, TEMPERATUR SELECTOR, 175-450deg F
39	3 HEAT ROTARY SWITCH, 240/480VAC, 15A
43	INNER ELEMENT, 440V, 1850W
44	OUTER ELEMENT, 440V, 1650W
58	CIRCUIT BOARD, TEMPERATURE CONTROL

OVEN CONTROL

QTY	ITEM	PART NUMBER	DESCRIPTION / MATERIAL
LANG MANUFACTURING			
DR:	80M	DATE: 6-28-00	TITLE: CLR36R-H-S
CK:		DATE:	440 VOLTS, 3 PHASE
TOLERANCES FRACTIONS DECIMALS ± 1/64 .X ± .05 ANGLES .XX ± .03 ± .5' .XXX ± .015 UNLESS OTHERWISE SPECIFIED DIMENSIONS ARE IN INCHES		NEXT HIGHER ASSY.	SHEET
SCALE:	TO FIT	1 of 1	DRAWING NUMBER
		61131-04	REV
			A