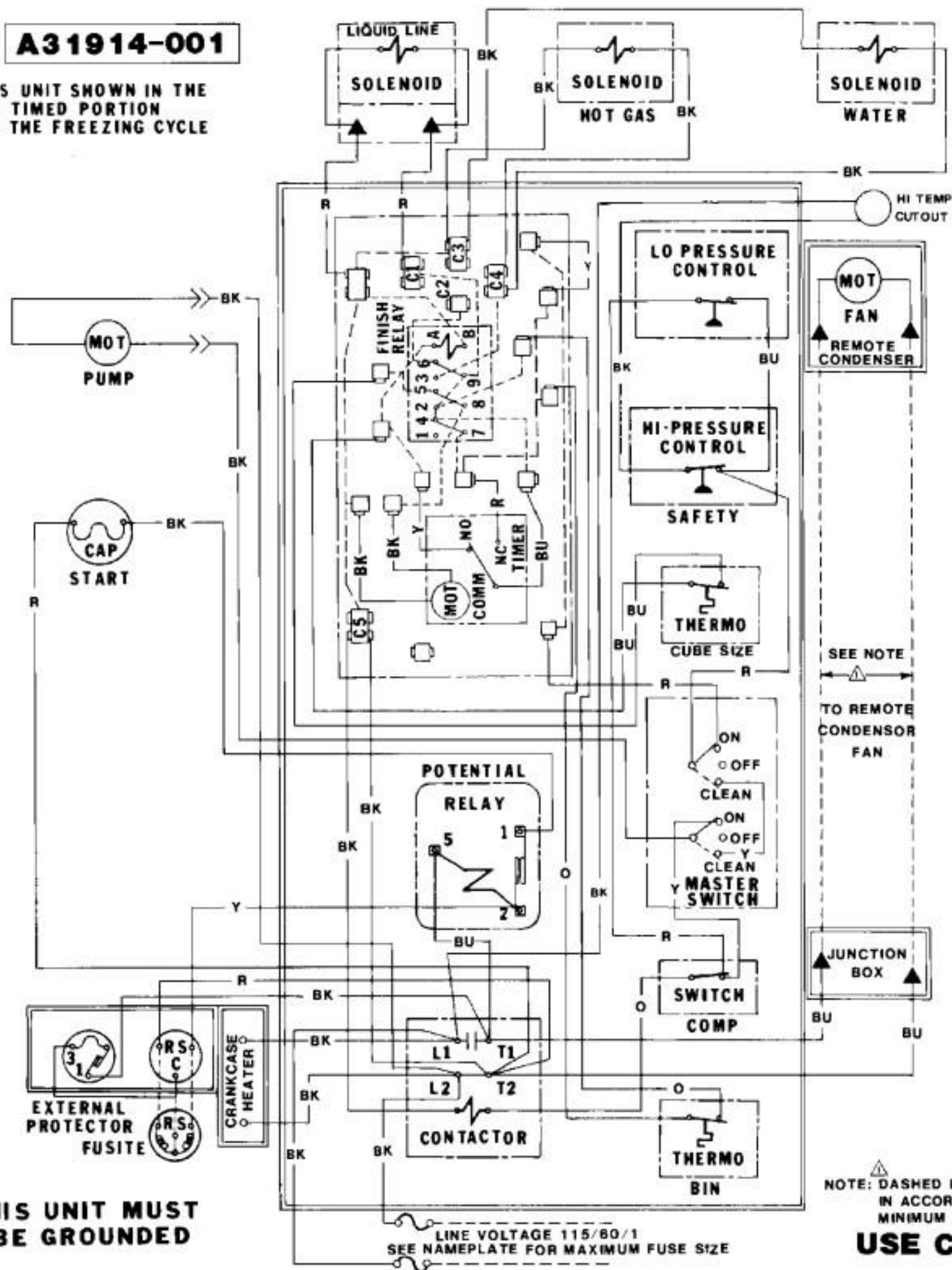


**A31914-001**

THIS UNIT SHOWN IN THE  
TIMED PORTION  
OF THE FREEZING CYCLE

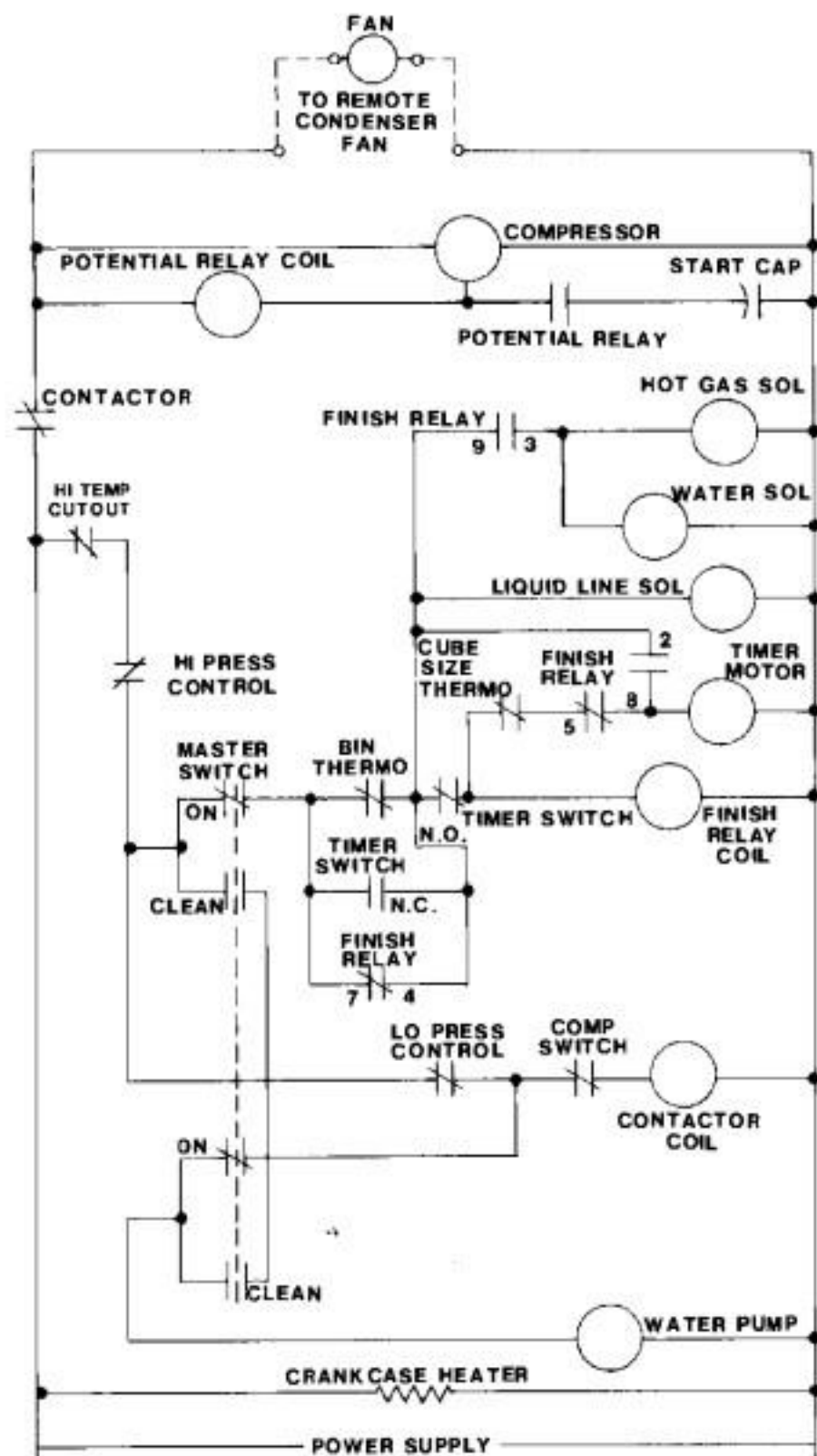


THIS UNIT MUST  
BE GROUNDED

LINE VOLTAGE 115/60/1  
SEE NAMEPLATE FOR MAXIMUM FUSE SIZE

**CAUTION:**

MORE THAN ONE DISCONNECT MEANS  
MAY BE REQUIRED TO DISCONNECT ALL  
POWER TO THIS UNIT

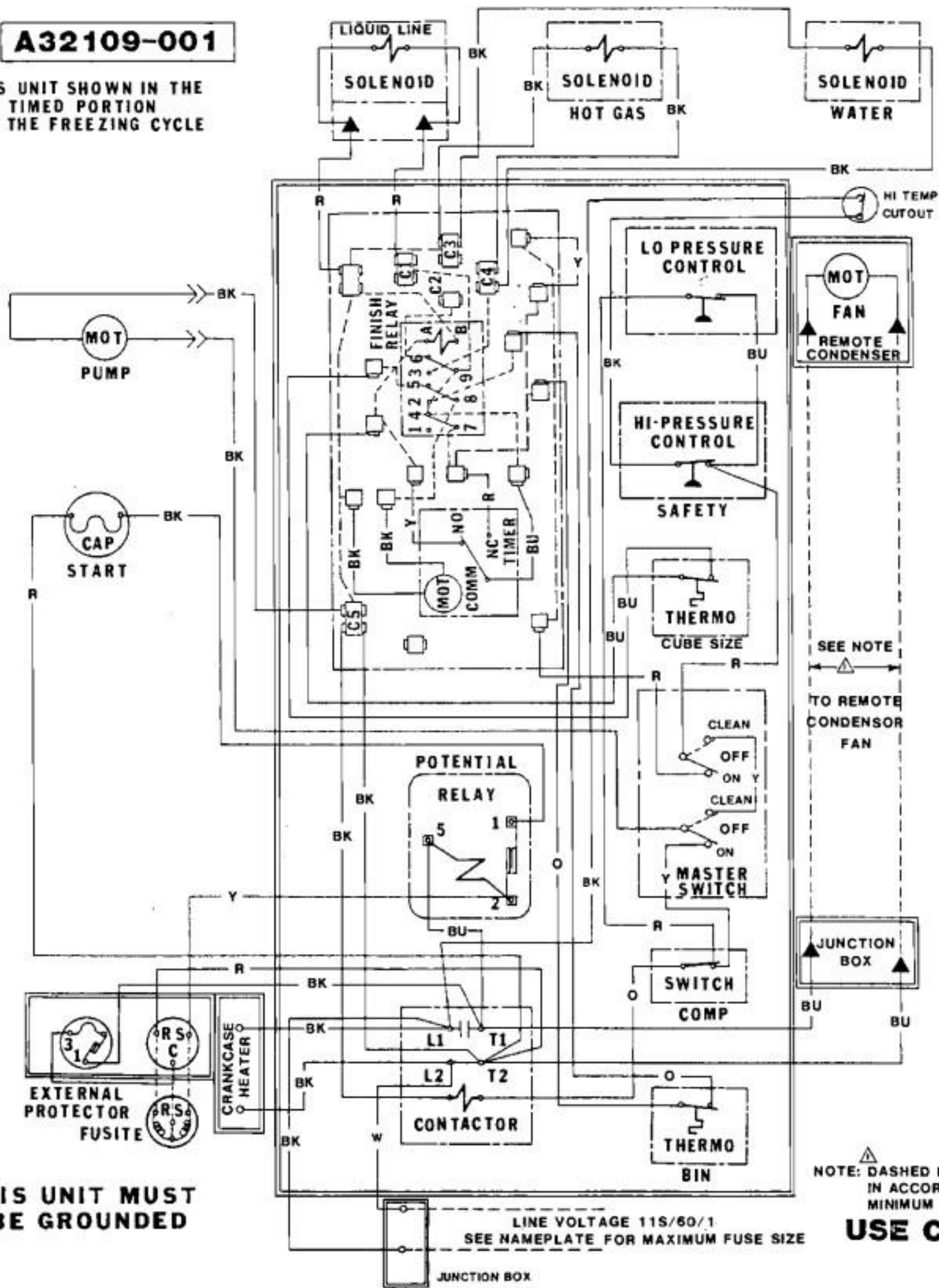


NOTE: DASHED LINES INDICATE FIELD WIRING WHICH MUST BE INSTALLED  
IN ACCORDANCE WITH THE NATIONAL ELECTRICAL CODE USING A  
MINIMUM OF 14 GA AWG WIRE.

**USE COPPER CONDUCTORS ONLY**

**A32109-001**

THIS UNIT SHOWN IN THE  
TIMED PORTION  
OF THE FREEZING CYCLE

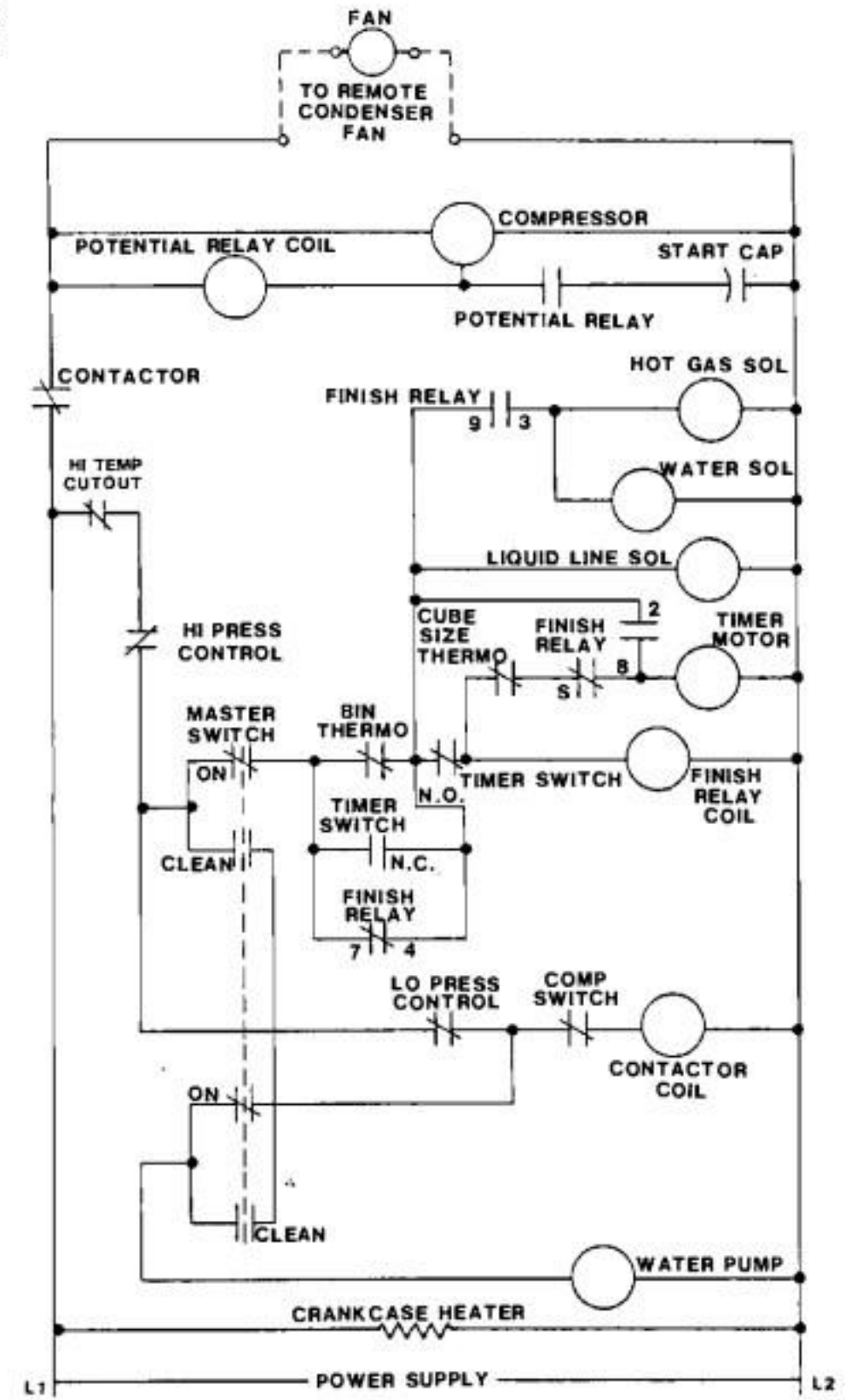


**THIS UNIT MUST  
BE GROUNDED**

LINE VOLTAGE 115/60/1  
SEE NAMEPLATE FOR MAXIMUM FUSE SIZE

**CAUTION:**

MORE THAN ONE DISCONNECT MEANS  
MAY BE REQUIRED TO DISCONNECT ALL  
POWER TO THIS UNIT



NOTE: DASHED LINES INDICATE FIELD WIRING WHICH MUST BE INSTALLED  
IN ACCORDANCE WITH THE NATIONAL ELECTRICAL CODE USING A  
MINIMUM OF 14 GA AWG WIRE.

**USE COPPER CONDUCTORS ONLY**

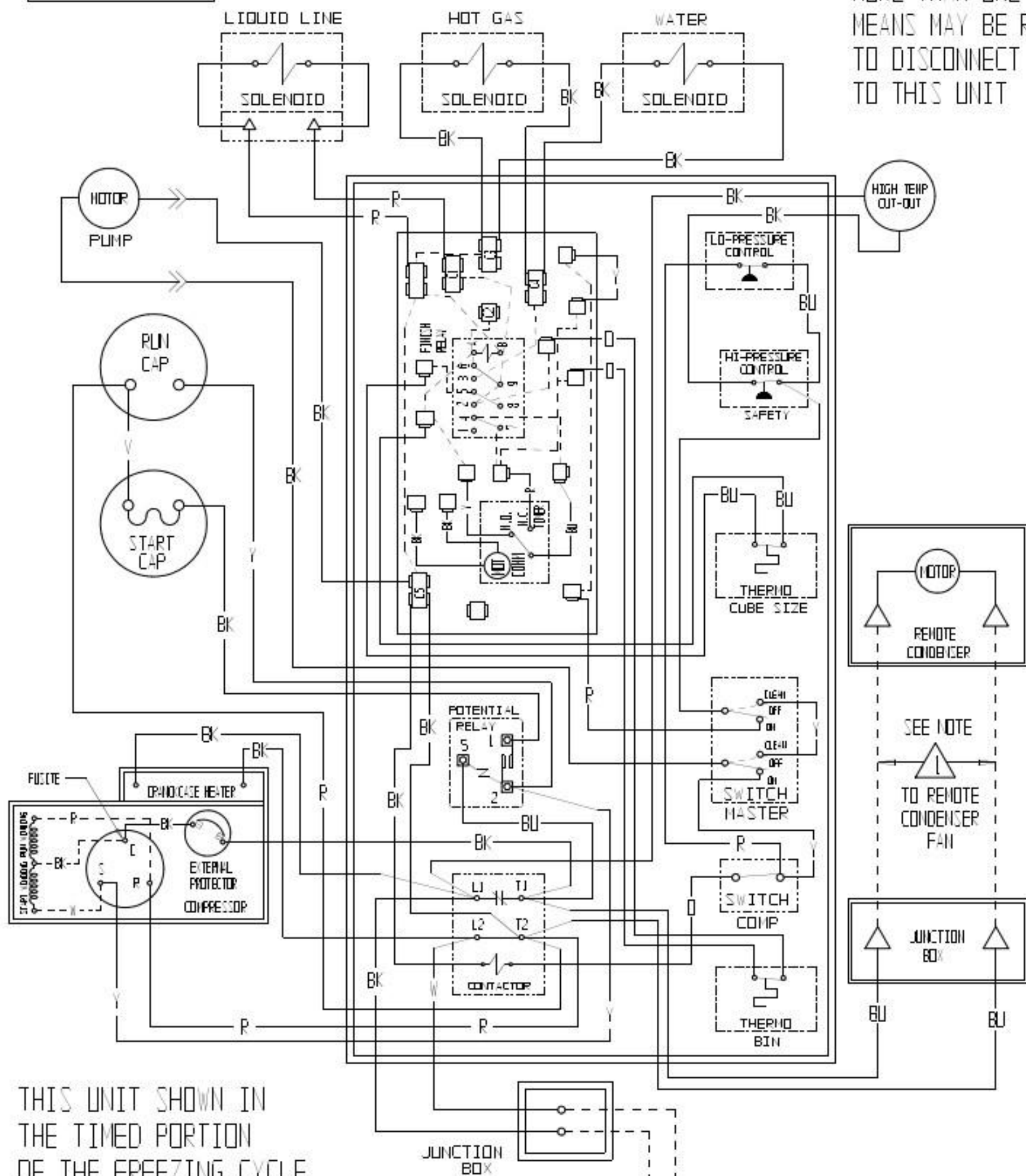
Wiring Diagram CM500R-1D

# CM500RE-1E Wiring Diagram

A35538-001

THIS UNIT MUST BE GROUNDDED

CAUTION:  
MORE THAN ONE DISCONNECT  
MEANS MAY BE REQUIRED  
TO DISCONNECT ALL POWER  
TO THIS UNIT



THIS UNIT SHOWN IN  
THE TIMED PORTION  
OF THE FREEZING CYCLE

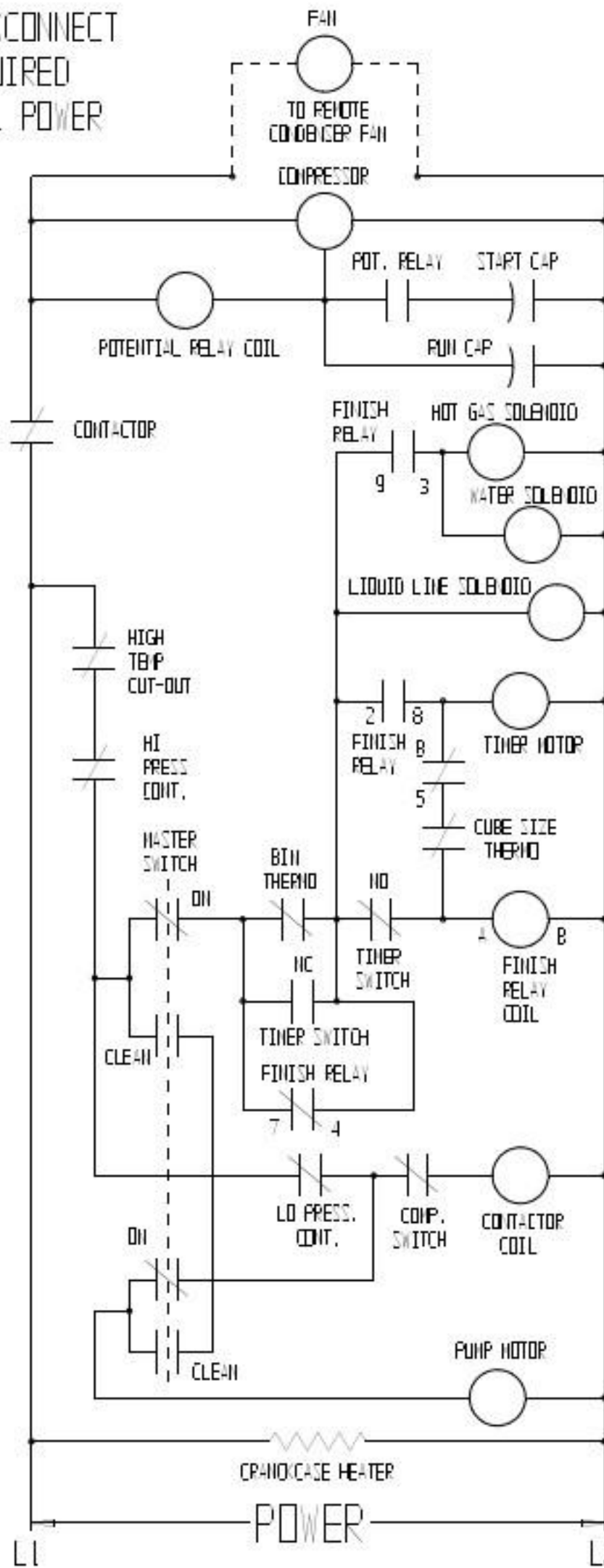
LINE VOLTAGE 115/60/1  
SEE NAMEPLATE FOR MAXIMUM FUSE SIZE

USE COPPER CONDUCTORS ONLY



NOTE: DASHED LINES INDICATE FIELD WIRING WHICH MUST BE INSTALLED IN ACCORDANCE WITH THE NATIONAL ELECTRICAL CODE AND ALL STATE AND LOCAL CODES USING A MINIMUM OF 14 GA AWG WIRE.

**CAUTION:**  
 MORE THAN ONE DISCONNECT  
 MEANS MAY BE REQUIRED  
 TO DISCONNECT ALL POWER  
 TO THIS UNIT



**NOTE:** DASHED LINES INDICATE FIELD WIRING WHICH MUST BE INSTALLED IN ACCORDANCE WITH THE NATIONAL ELECTRICAL CODE AND ALL STATE AND LOCAL CODES USING A MINIMUM OF 14 GA AWG WIPE.