



CMA-180UC-3

PARTS MANUAL

Rev 1.00 09-23-2025



SANITATION



NSF/ANSI 3
<SA45466>



CMA DISHMACHINES
17707 VALLEY VIEW AVE.
CERRITOS, CA 90703

800-854-6417

FAX 714-895-2141

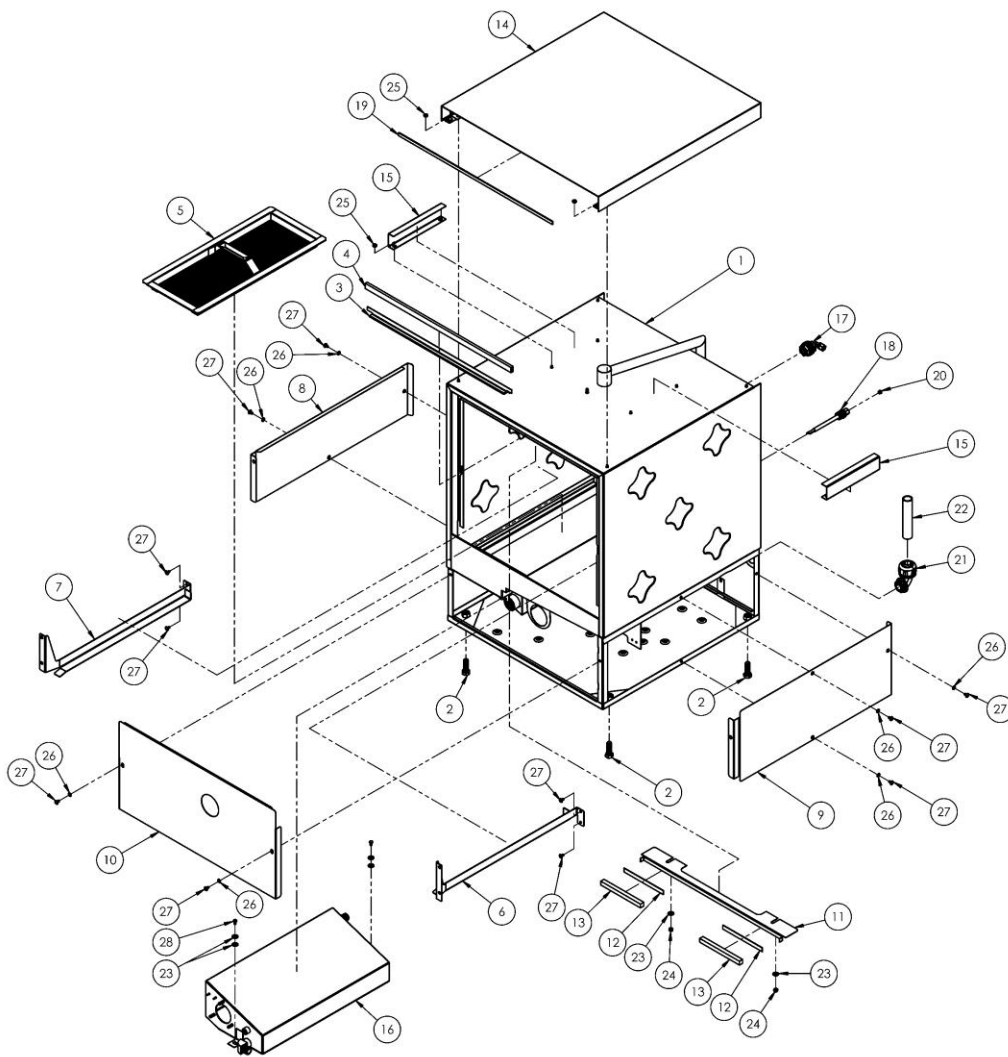
TABLE OF CONTENTS

MODEL CMA-180UC-3

1.1. Mechanical Drawings	3
1.1.1 Cabinet Assembly	3
1.1.2 Door Assembly.....	4
1.1.3 Heater Contactor Assembly.....	5
1.1.4 Control Drawer CMA-180UC3 Assembly P/N 18611.65	6
1.1.5 Hinged Electrical Panel Assembly P/N 18611.26	7
1.1.6 Chemical Dispenser Assembly P/N 00415.20	8
1.1.7 Water Inlet System Assy CMA-180UC3 P/N 18601.79.....	9
1.1.8 Plumbing System Assembly 180UC-3.....	10
1.1.9 Drain Pump Assembly.....	11
1.1.10 Wash System P/N 00304.46.....	12
1.1.11 Rinse System P/N 00304.29.....	13
1.1.12 CMA-180 UC-3 Pump System Assembly	14
1.1.13 CMA 180 UC-3 Plug Heater Assembly	15
1.1.14 CMA 180 UC-3 Booster Heater Assembly	16
1.1.15 CMA 180 UC-3 Pressure Switch Assembly.....	17

1.1. Mechanical Drawings

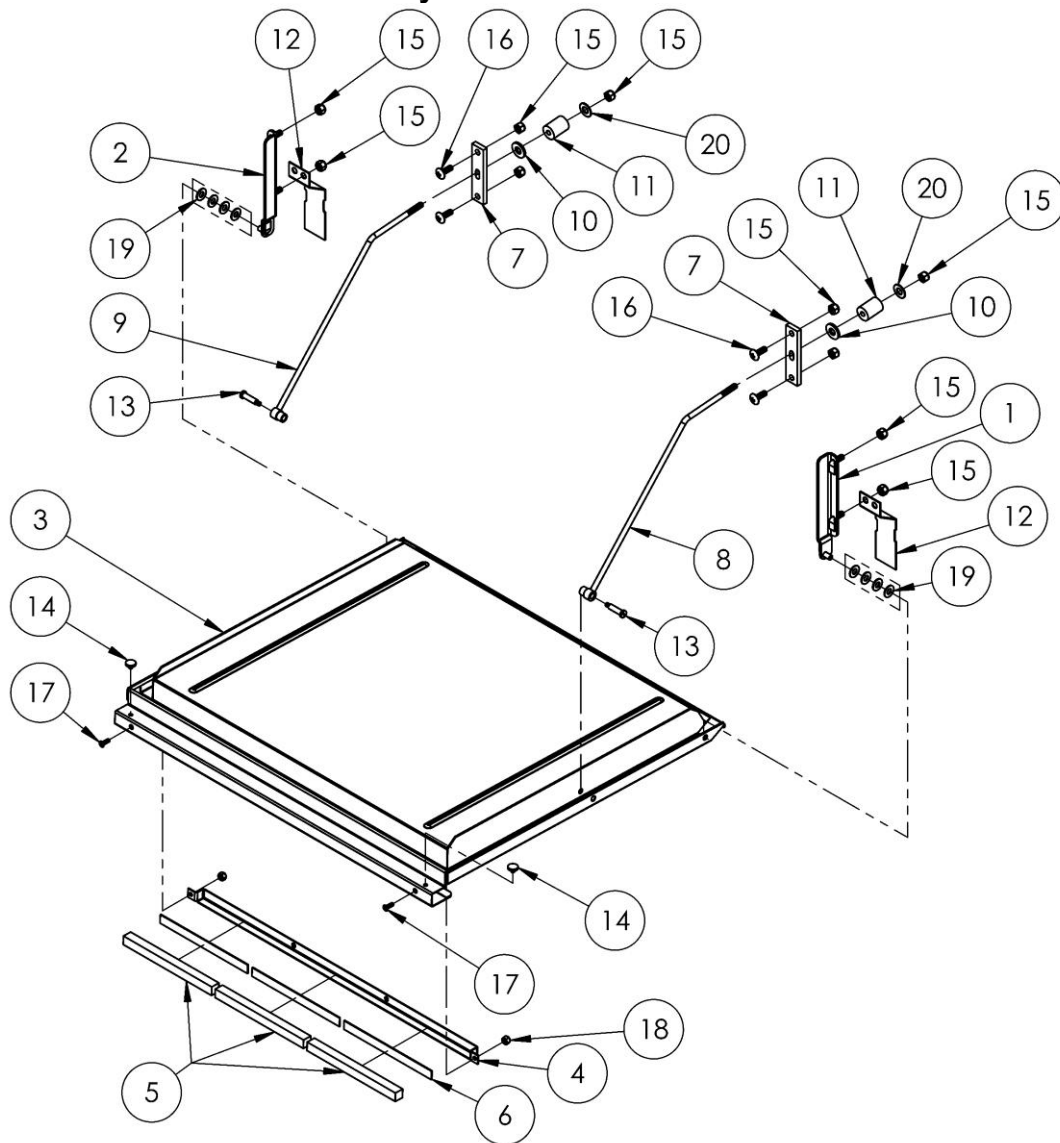
1.1.1 Cabinet Assembly



ITEM NO.	NO. REQ'D	P/N	DESCRIPTION
1	1	14709.00	CMA-180UC-3 Body
2	4	01310.60	Leg Adjuster
3	1	14506.45	Gasket Bracket
4	1	14506.60	Door Gasket (RM)
5	1	14510.00	Scrap Basket CMA-180UC/181 GW
6	1	14511.00	Tray Track RH CMA-180UC
7	1	14512.00	Tray Track LH CMA-180UC
8	1	14502.82	Side Panel L.H. CMA-180UC/180UC-3
9	1	14502.84	Side Panel R.H. CMA-180UC/180UC-3
10	1	14708.00	CMA-180UC-3 Lower Front Panel
11	1	14558.00	Body Magnet Holder
12	2	N/A	Double Tape
13	2	00557.80	Door Magnet (L-1X/CMA-180UC/GL-X)
14	1	14503.40	SS Top for CMA 180UC/GL-X/L-1Xe

ITEM NO.	NO. REQ'D	P/N	DESCRIPTION
15	2	14503.60	Top Support CMA-180UC
16	1	14711.00	CMA180UC-3 Booster Tank
17	1	03415.00	Chemical Tube Bulkhead
18	1	03204.50	Thermowell Assy CMA-180UC (Wash)
19	1	03705.84	Control Box Gasket for CMA-180UC
20	1	00936.00	312-250 Shorty Bushing
21	1	00402.85	ST-3/4 90° Connector
22	1	00400.85	3/4" Conduit, Sealrite
23	6	00924.00	1/4" SS Washer
24	2	03801.00	10-32 Lock Nut
25	8	03801.60	10-32 KEPS Lock Nut
26	7	03814.10	10-32 Lock Star Washer
27	11	00940.50	10-32 X 3/8 Truss Head Screw
28	2	00966.20	Bolt/Screw, Hex Head, 10-32 X 3/8", SS

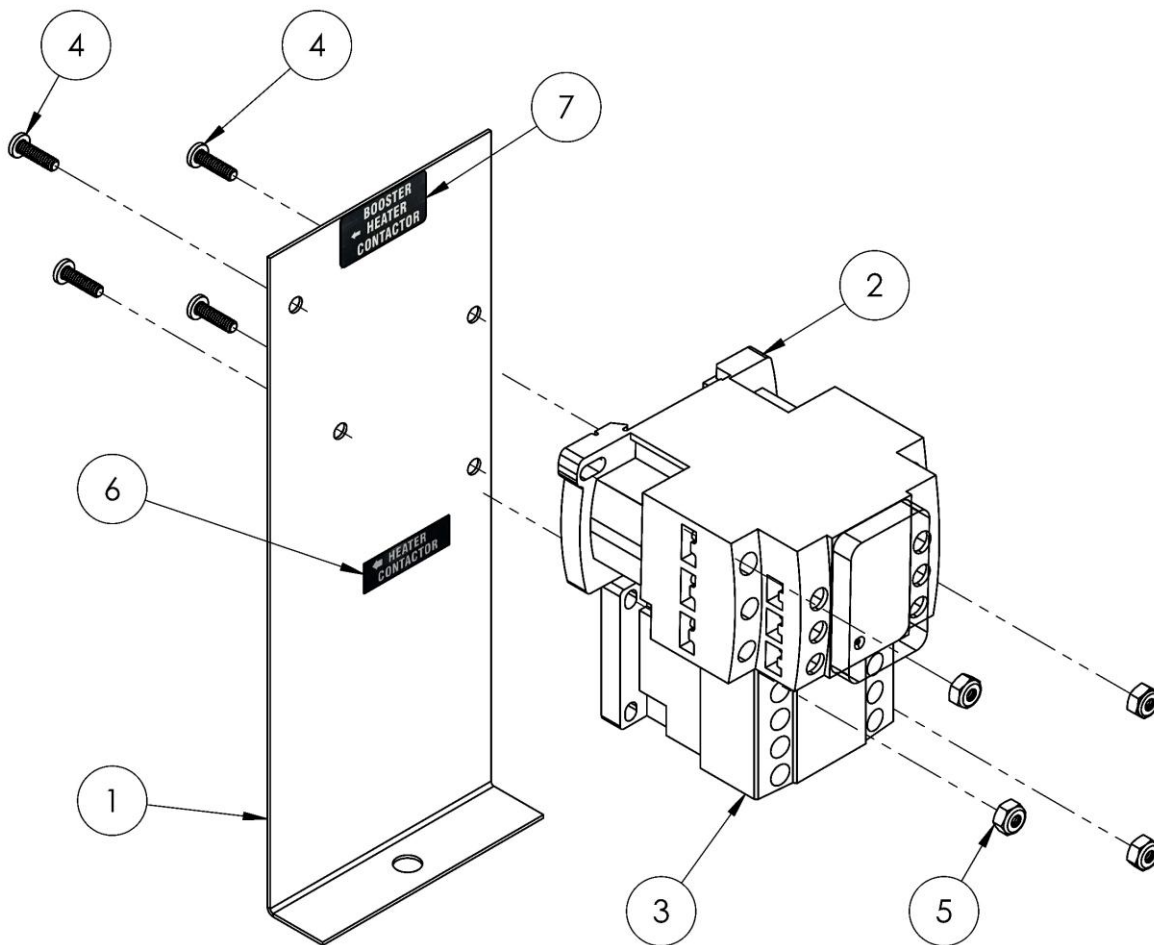
1.1.2 Door Assembly



ITEM NO.	NO. REQ'D	P/N	DESCRIPTION
1	1	14570.00	Door Hinge RH
2	1	14570.50	Door Hinge LH
3	1	14506.00	Door - CMA-180UC/L-1X16
4	1	14558.61	Door Magnet Bracket
5	3	00557.80	Door Magnet (L-1X/CMA-180UC/GL-X)
6	3	N/A	Double Tape
7	2	04517.60	Door Support Rod Block
8	1	04918.60	Door Support Rod Right
9	1	04919.50	Door Support Rod Left
10	2	00605.30	Spacer, Door Rod

ITEM NO.	NO. REQ'D	P/N	DESCRIPTION
11	2	04517.15	Door Stop, (Parallel)
12	2	14518.00	Door Splash Guard
13	2	04919.00	Door Rod Screw Pin for CMA-180UC
14	2	00605.00	Door Handle Button-Undercounters
15	10	00912.00	1/4"-20 Nylon Lock Nut
16	4	00929.00	Truss Head Bolt, 1/4-20 x 3/4"
17	2	00970.60	Screw, Phillips Flat Head, 8-32 x 1/2"
18	2	00927.00	Lock Nut with Nylon Insert, 8-32
19	8	00924.00	1/4" SS Washer
20	2	00926.00	5/16 SS Washer

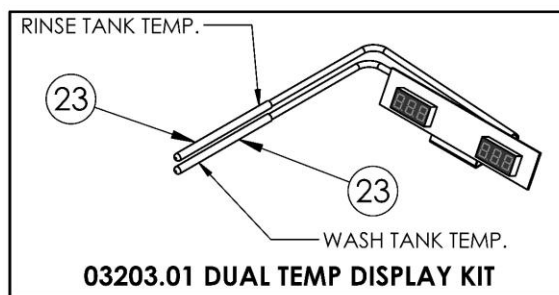
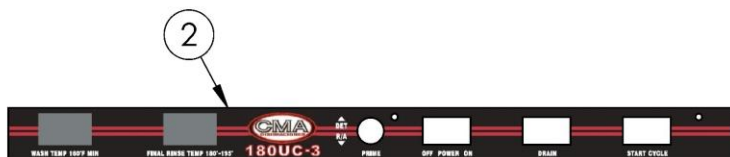
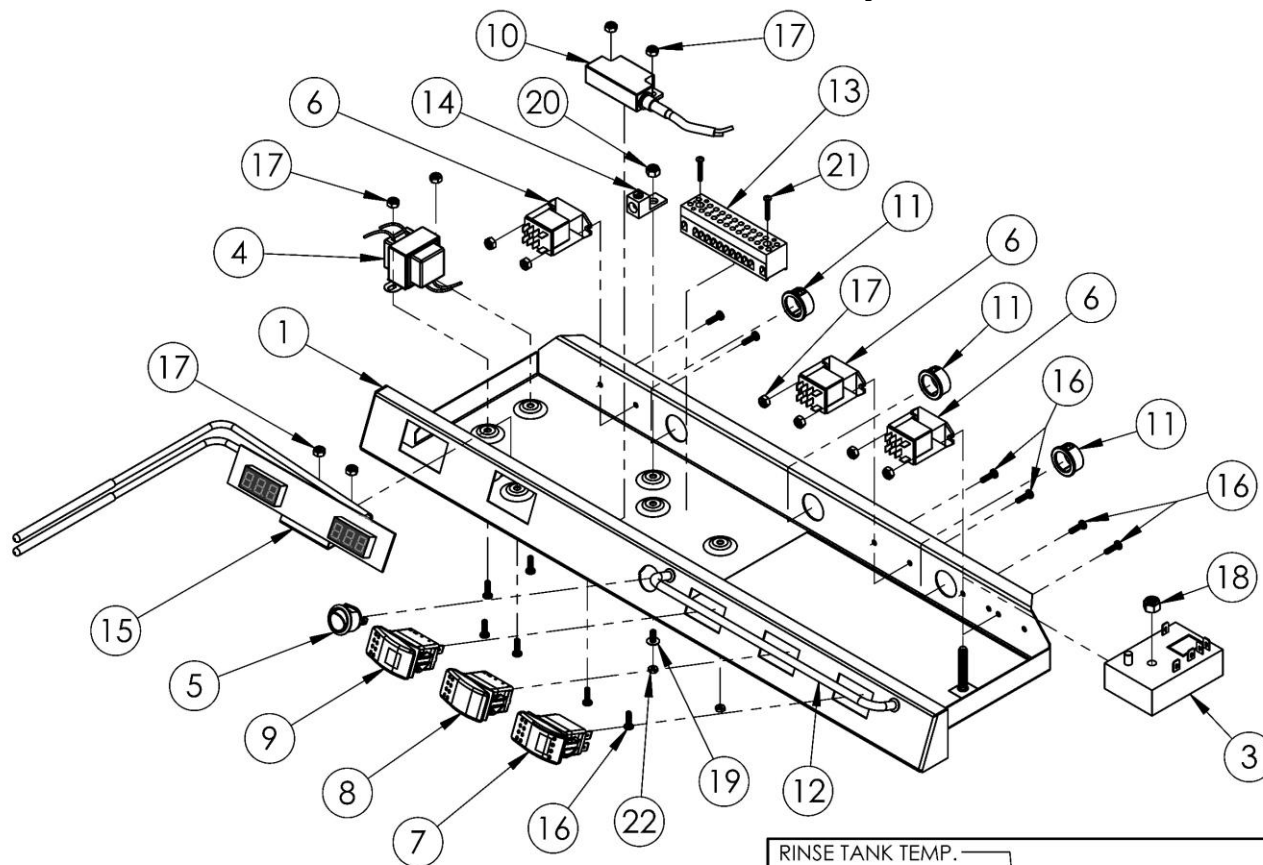
1.1.3 Heater Contactor Assembly



ITEM NO.	NO. REQ'D	P/N	DESCRIPTION
1	1	N/A	Contactors Electrical Tray
2	1	15504.55	Heater Contactor 3 Pole 35 Amp 220V
3	1	13012.26	Mini Contactor 220V 20 Amp
4	4	00907.00	6-32 x 1/2 Panhead Screw

ITEM NO.	NO. REQ'D	P/N	DESCRIPTION
5	4	00965.00	6-32 Lock Nut
6	1	N/A	Heater Contactor Label
7	1	N/A	Booster Heater Contactor Label

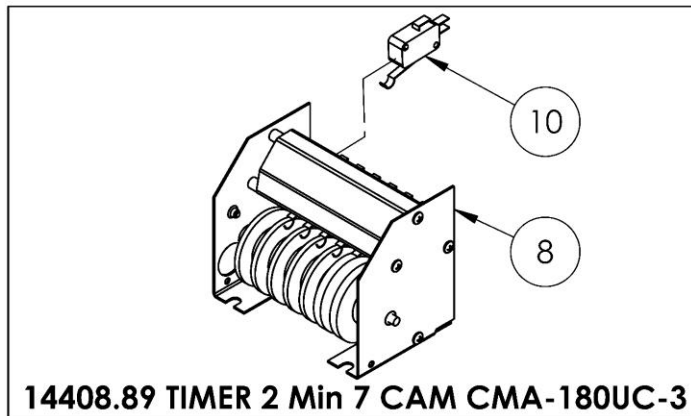
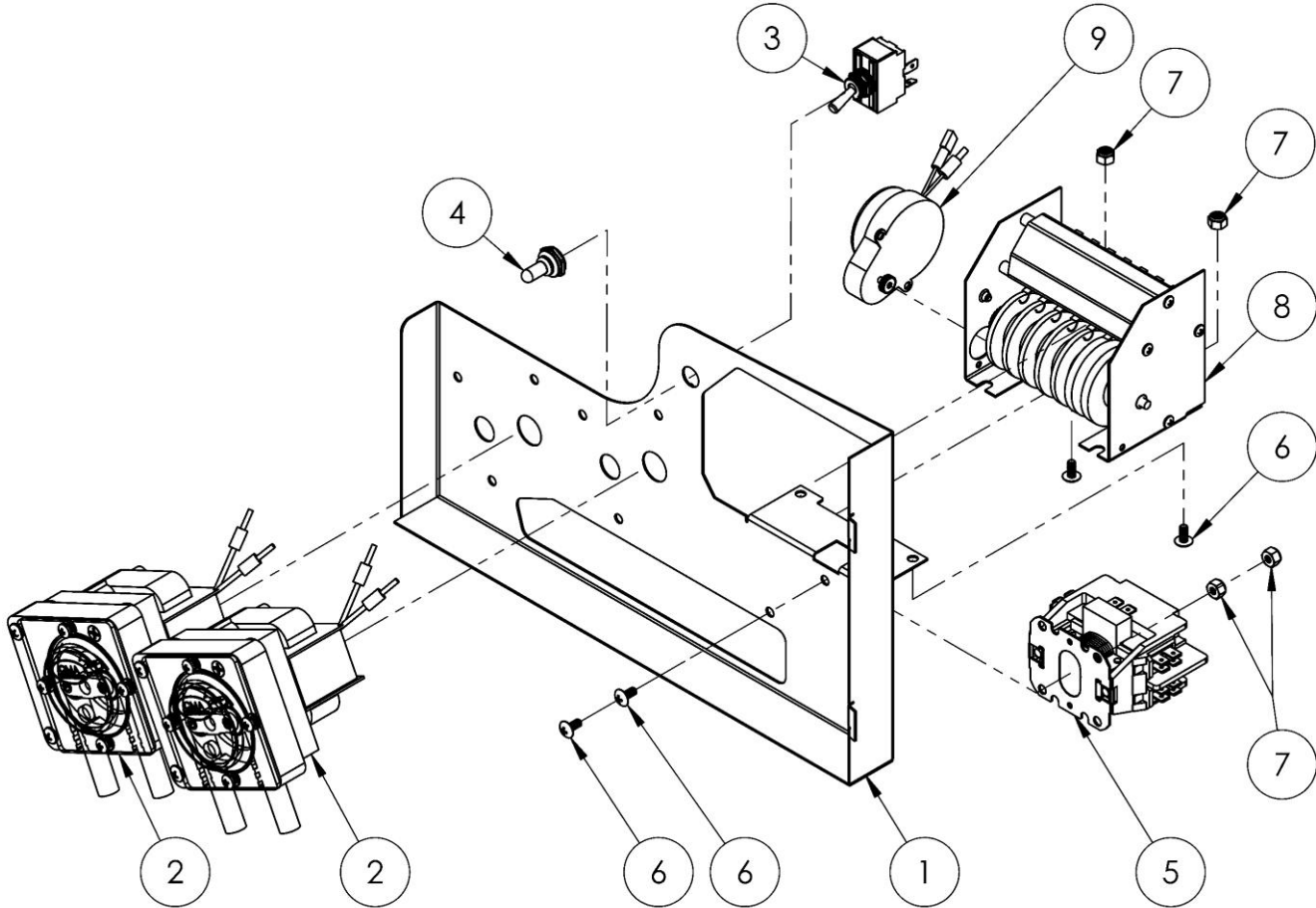
1.1.4 Control Drawer CMA-180UC3 Assembly P/N 18611.65



ITEM NO.	NO. REQ'D	P/N	DESCRIPTION
1	1	18611.92	Control Drawer 180UC-3
2	1	06232.63	180UC-3 Control Drawer Panel Label
3	1	13418.25	Auto-Fill Timer 230V
4	1	03202.55	Thermometer Transformer 220v
5	1	02103.57	Switch Momentary (Prime)
6	3	00631.05	Ice Cube Relay 220V 12 Amp
7	1	00421.35	Cycle Start Rocker Switch Amber 250V
8	1	00421.89	Drain Rocker Switch
9	1	00421.83	Power Rocker Switch Red 250V
10	1	00558.11	Reed Switch
11	3	00438.00	Snap Bushing Universal 875-11
12	1	03485.00	Switch Guard (Undercounter)

ITEM NO.	NO. REQ'D	P/N	DESCRIPTION
13	1	15520.00	Power Block
14	1	13426.50	Ground Block
15	1	03203.01	Dual Temp Display Kit
16	12	00907.00	6-32 x 1/2 Panhead Screw
17	12	00965.00	6-32 Lock Nut
18	1	00912.00	1/4"-20 Nylon Lock Nut
19	1	00911.10	8-32 x 3/8 Trusshead Screw
20	1	00927.00	Lock Nut with Nylon Insert, 8-32
21	2	13826.10	4-40 x 3/4 Panhead Screw
22	2	13826.50	4-40 Hex Nuts
23	2	03202.66	Thermocouple (3-wire) 2 Included w/ 3203.01

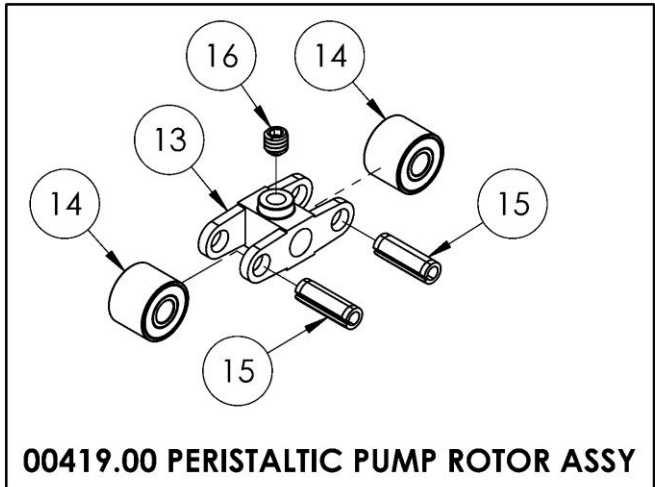
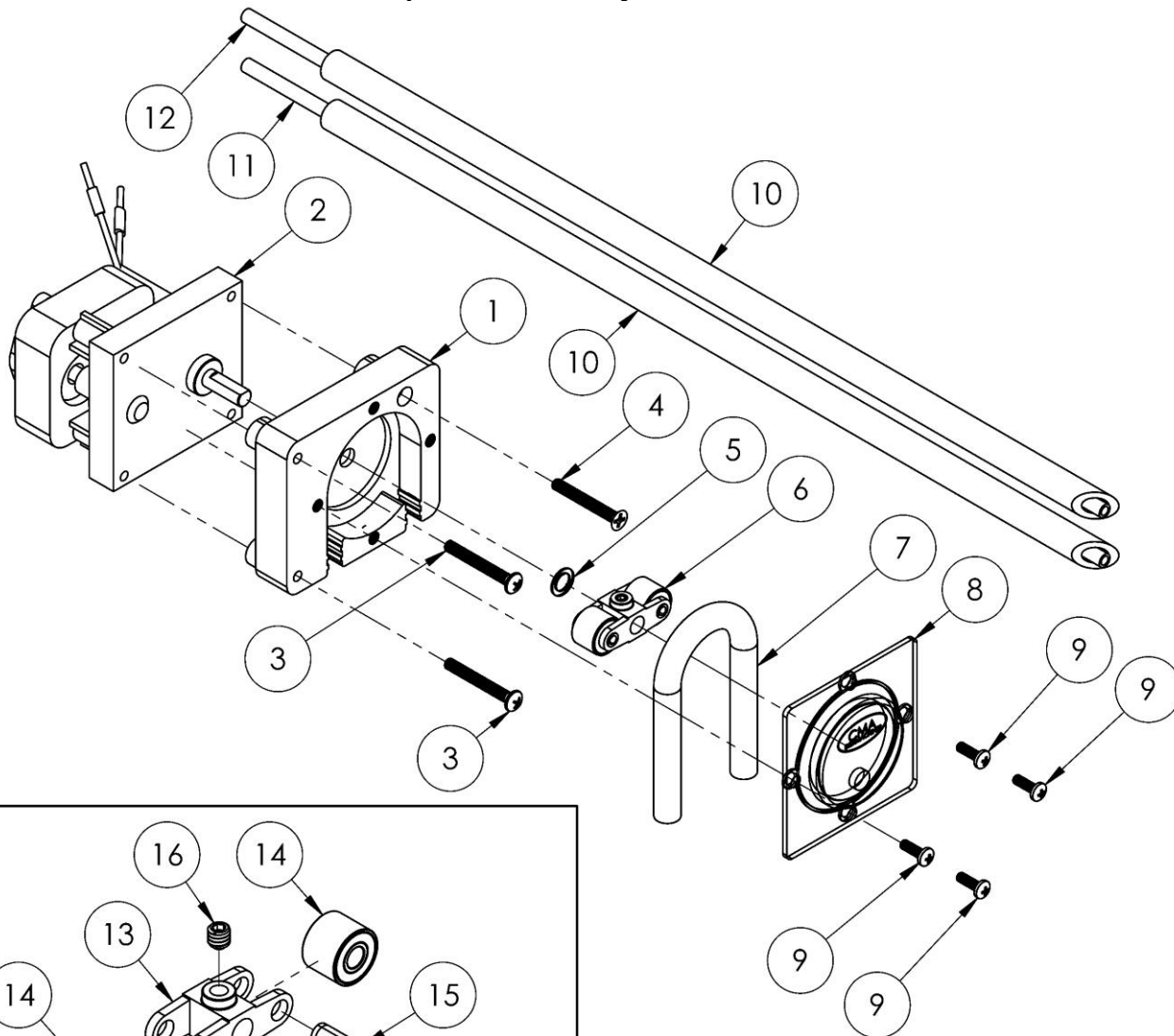
1.1.5 Hinged Electrical Panel Assembly P/N 18611.26



ITEM NO.	NO. REQ'D	P/N	DESCRIPTION
1	1	18611.93	Control Drawer Body & Labor CMA-180UC3
2	2	00415.20	Chemical Dispenser Assembly
3	1	00471.10	Toggle Switch DPST 20 Amp
4	1	00470.10	Toggle Switch Rubber Boot
5	1	00404.81	Contactore 220V 20 Amp DP

ITEM NO.	NO. REQ'D	P/N	DESCRIPTION
6	4	00911.10	8-32 x 3/8 Truss Head Screw
7	4	00927.00	Lock Nut with Nylon Insert, 8-32
8	1	14408.89	Timer 2 Min 7 Cam CMA-180UC-3
9	1	00501.10	Timer Motor Assembly 2 MIN 220V_60
10	7	00411.00	Microswitch

1.1.6 Chemical Dispenser Assembly P/N 00415.20

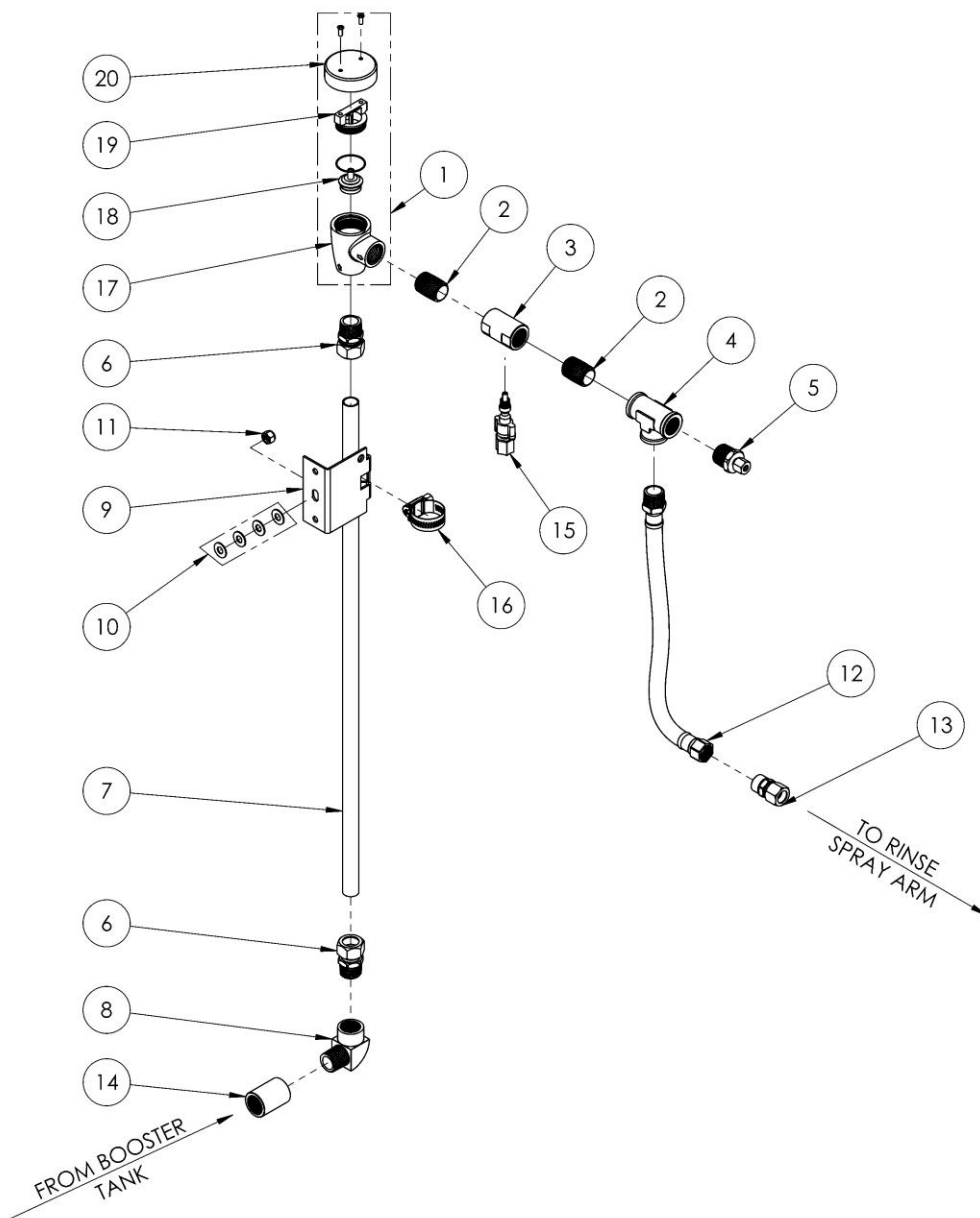


00419.00 PERISTALTIC PUMP ROTOR ASSY

ITEM NO.	NO. REQ'D	P/N	DESCRIPTION
1	1	00417.10	Peristaltic Pump Block (Black) (04-09)
2	1	00416.20	Peristaltic Pump Motor 220V/60Hz
3	2	00919.00	10-32 x 1 1/2 Pan Head Screw
4	1	00918.10	Screw, Phillips Flat Head, 10-32 x 1 1/2"
5	1	00422.50	Spacer, Peristaltic Pump Rotor
6	1	00419.00	Peristaltic Pump Rotor Assy
7	1	02257.00	Squeeze Tube Norprene 8
8	1	00418.00	Peristaltic Pump Cover

ITEM NO.	NO. REQ'D	P/N	DESCRIPTION
9	4	00911.00	8-32 x 1/2 Pan Head Screw
10	2	00443.00	Tube Stiffener
11	1	00425.51	Chemical Tubing Blue (Per Foot)
12	1	00425.53	Chemical Tubing Red (Per Foot)
13	1	00424.00	Rotor Bearing Carriage
14	2	00423.00	Roller, Peristaltic Pump
15	2	00422.00	Spring Pin, Slotted, Rotor Bearing
16	1	00935.00	1/4-20 x 1/4 Socket Set Screw

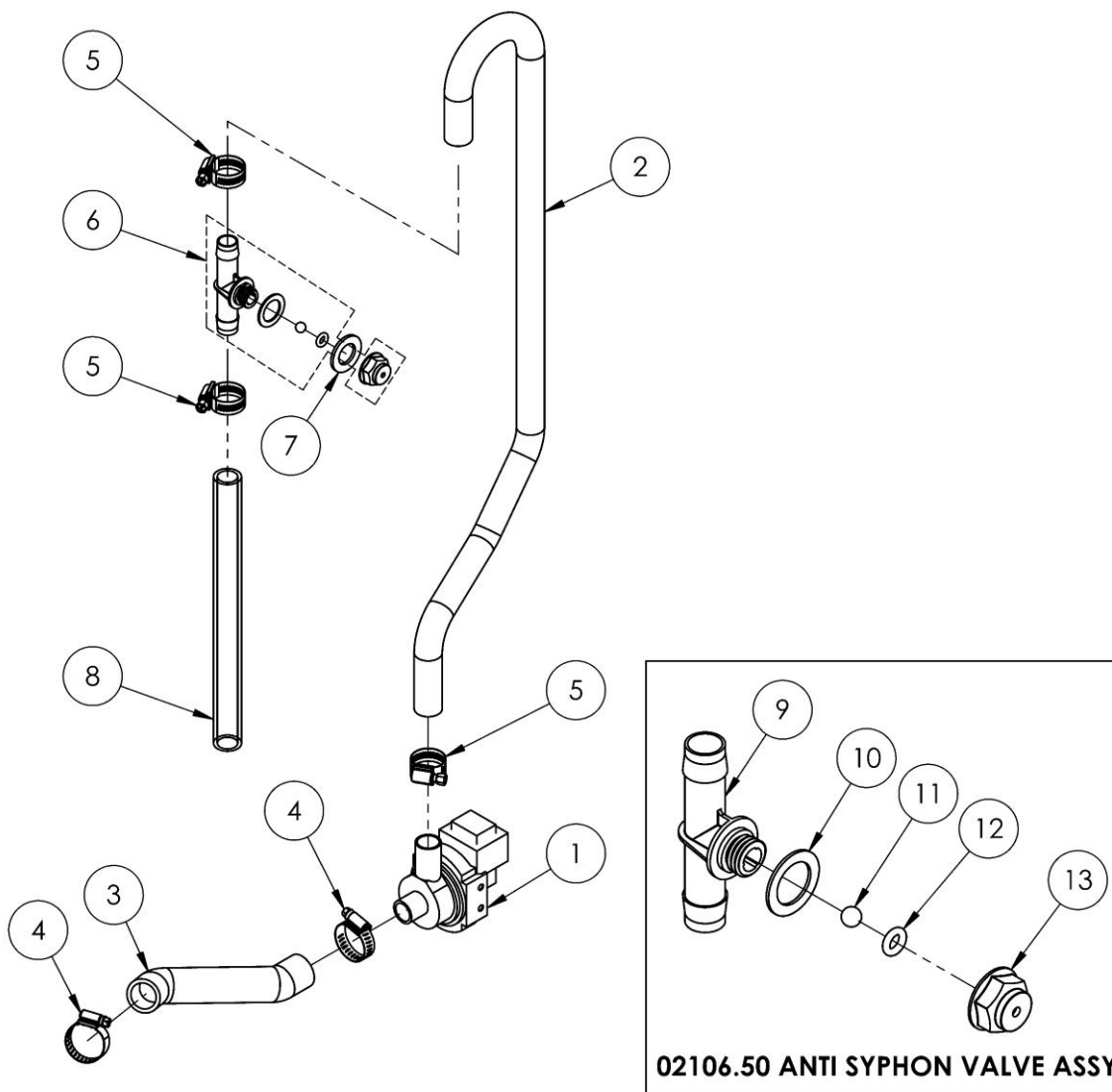
1.1.8 Plumbing System Assembly 180UC-3



ITEM NO.	NO. REQ'D	P/N	DESCRIPTION
1	1	03624.00	Vacuum Breaker 1/2 Watts
2	2	03614.00	Nipple Brass 1/2 x Close
3	1	13669.45	Mixing Chamber SS CMA 180UC
4	1	00743.10	1/2 Tee F x F x F Brass
5	1	00214.60	1/4 Comp x 1/2 MIP Fitting
6	2	00760.00	5/8 Comp x 1/2 MIP Adapter
7	1	05007.00	5/8 OD x .049Wall 304 SS Tubing
8	1	00745.00	1/2 90Deg Street Elbow
9	1	14508.50	Plumbing Bracket
10	4	00924.00	1/4" SS Washer

ITEM NO.	NO. REQ'D	P/N	DESCRIPTION
11	1	00912.00	1/4"-20 Nylon Lock Nut
12	1	00798.00	SS Braided Hose 21
13	1	00724.50	Union 1/2 Comp x 1/2 Comp
14	1	13618.00	Coupling 1/2 316 SS
15	1	13658.00	Chemical Inlet Check Valve 1/4 x 1/8
16	1	03101.53	Hose Clamp for ID 3/4 Tube
17	1	N/A	Vacuum Breaker 1/2 Watts Body
18	1	03623.00	1/2" Vac. Breaker Repair Kit – Watts
19	1	03624.25	Vacuum Breaker Bonnet, Brass
20	1	00739.50	Vacuum Breaker Cap, SS

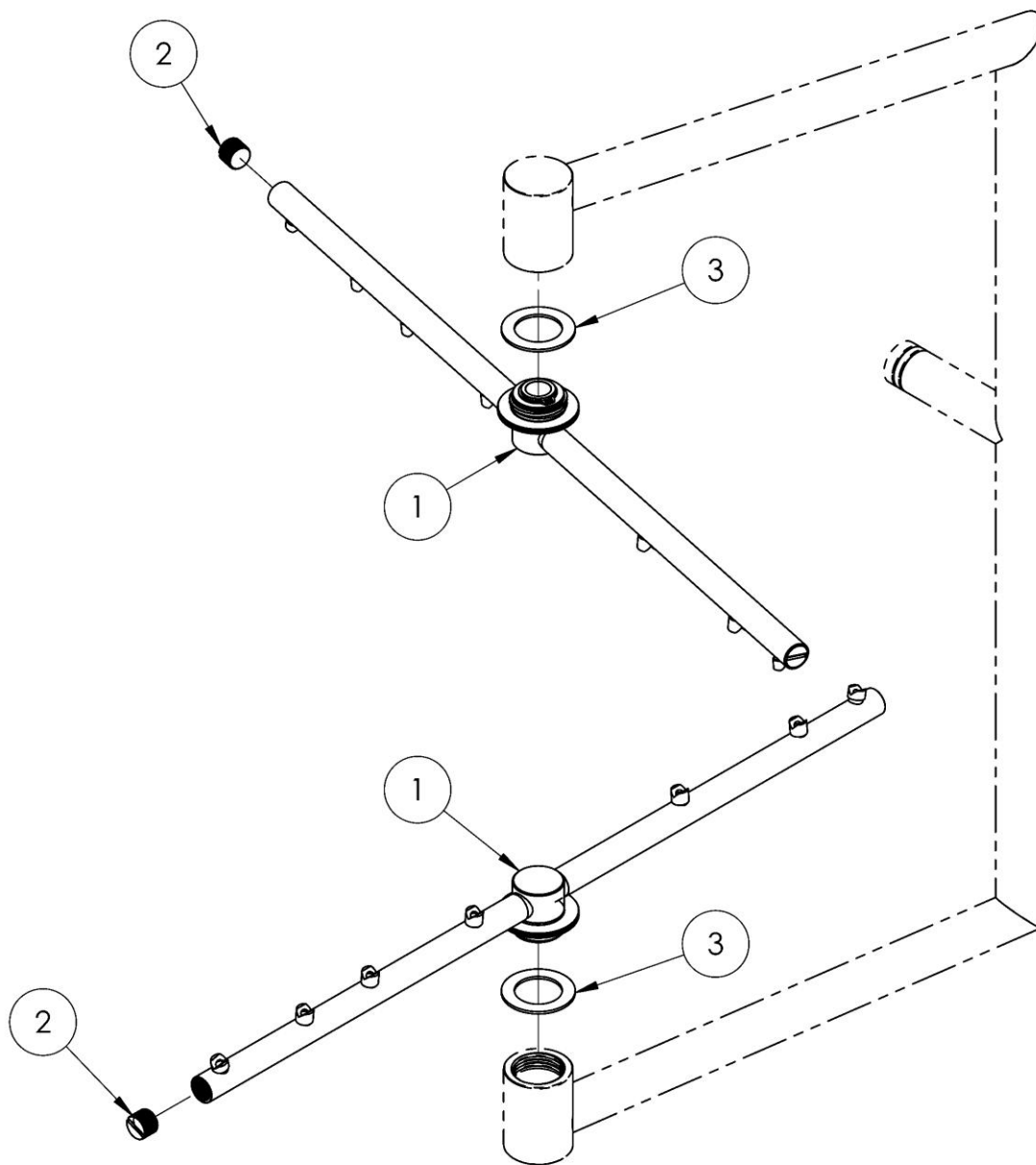
1.1.9 Drain Pump Assembly



ITEM NO.	NO. REQ'D	P/N	DESCRIPTION
1	1	02100.17	UC 50e/60e Discharge Pump
2	1	02106.19	UC 65e Drain Molded Hose
3	1	02104.05	Suction Hose, Drain Pump
4	2	03101.00	Hose Clamp, #16, 1 inch
5	3	03101.53	Hose Clamp for ID 3/4 Tube
6	1	02106.50	Anti Syphon Valve Assy
7	1	03416.10	Anti Syphon Black Gasket

ITEM NO.	NO. REQ'D	P/N	DESCRIPTION
8	1	03106.50	Braided Hose 3/4"
9	1	N/A	Body, Anti-Siphon
10	1	N/A	Silicon Washer
11	1	N/A	Ball
12	1	N/A	O-Ring
13	1	N/A	Nut

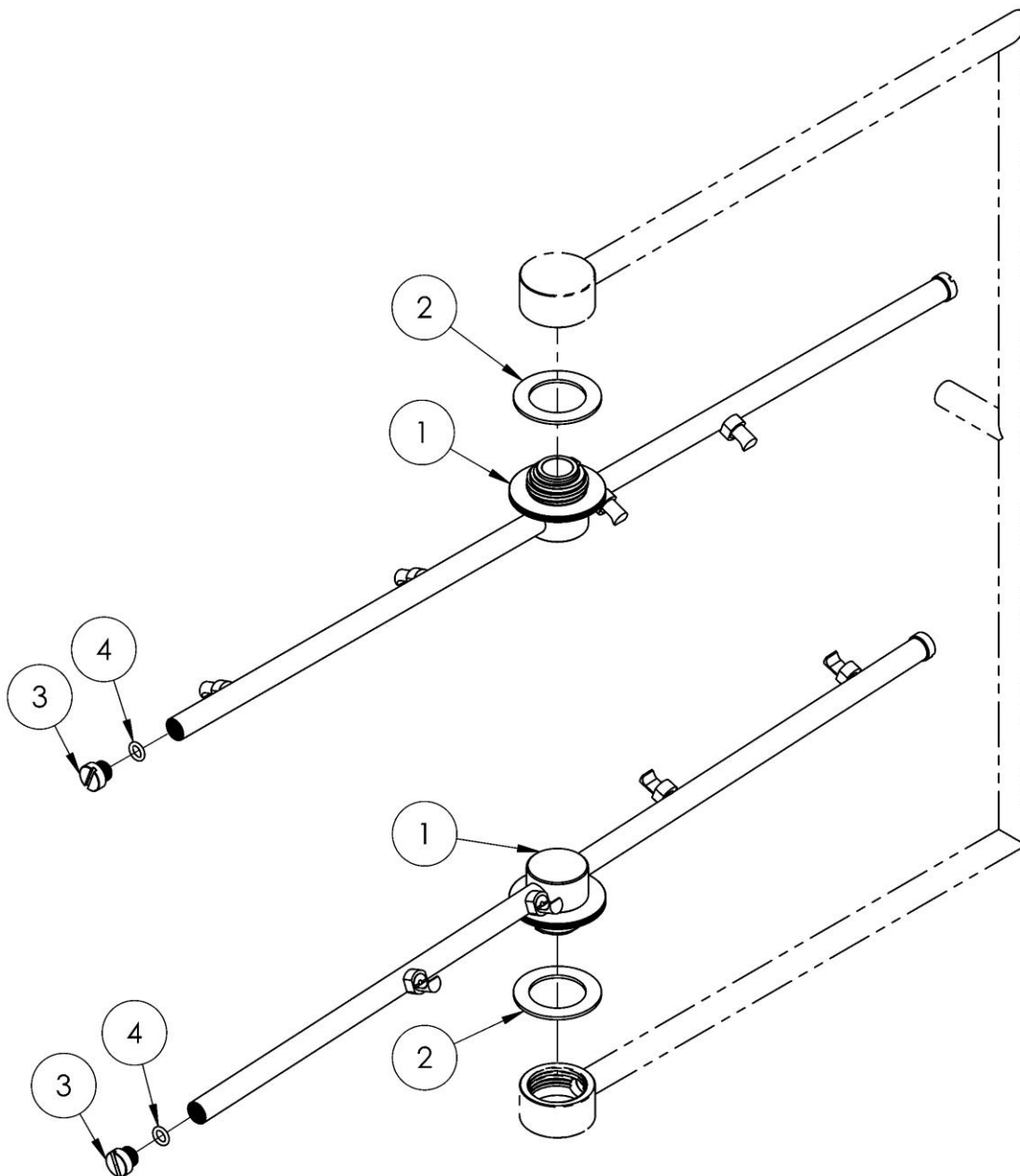
1.1.10 Wash System P/N 00304.46



ITEM NO.	NO. REQ'D	P/N	DESCRIPTION
1	2	00304.46	Wash Arms (CMA-180UC) With Bearing Including # 2 & 3
2	4	00308.20	Wash Arm End Plug

ITEM NO.	NO. REQ'D	P/N	DESCRIPTION
3	4	04305.17	Red Silicon Gasket 1/16 Thick

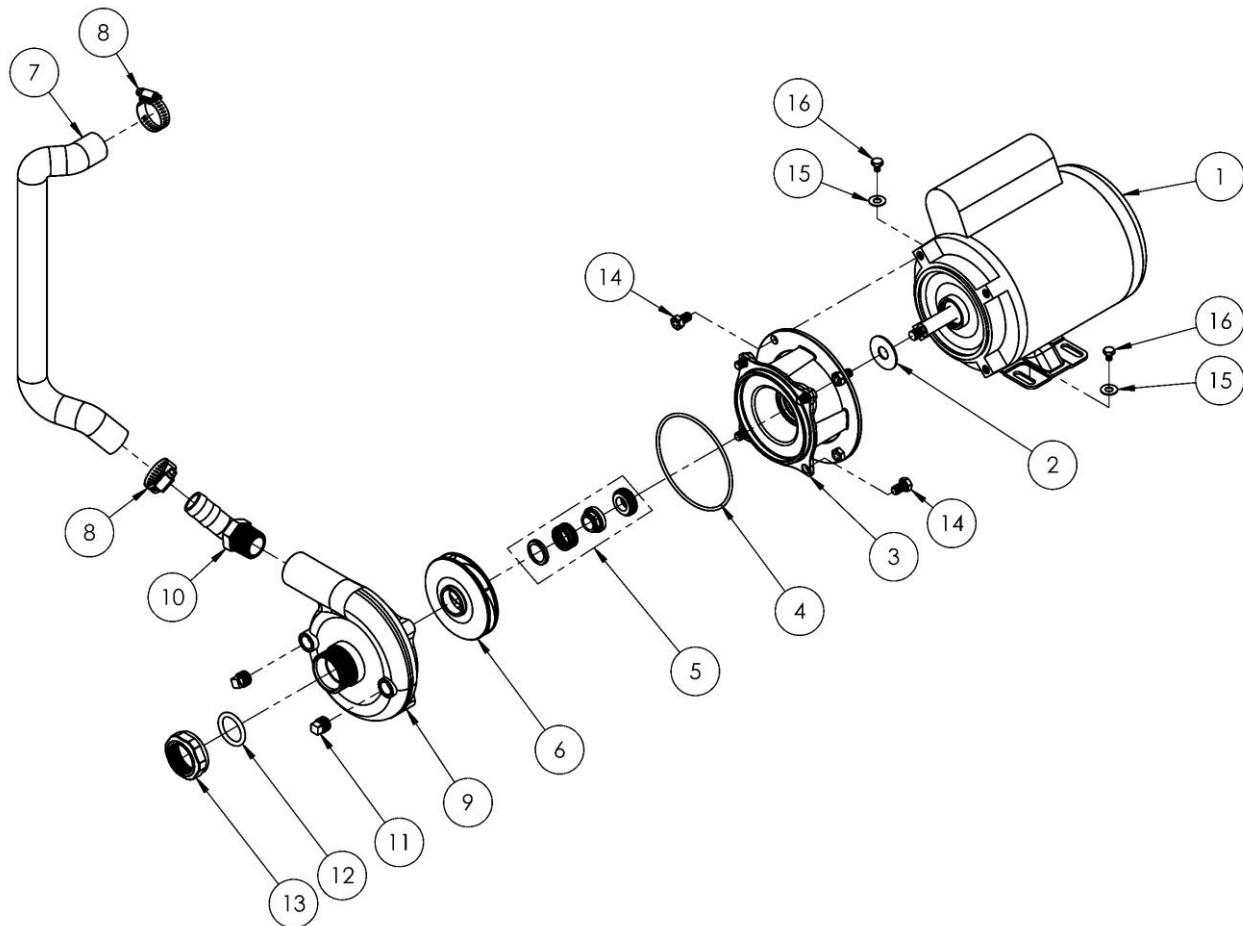
1.1.11 Rinse System P/N 00304.29



ITEM NO.	NO. REQ'D	P/N	DESCRIPTION
1	2	00304.29	Rinse Arm w/Bearing Including # 2 & 3 (CMA-180 & 180UC)
2	2	04305.17	Red Silicon Gasket 1/16 Thick

ITEM NO.	NO. REQ'D	P/N	DESCRIPTION
3	4	00308.17	Rinse Arm End Cap
4	4	N/A	O - Ring

1.1.12 CMA-180 UC-3 Pump System Assembly

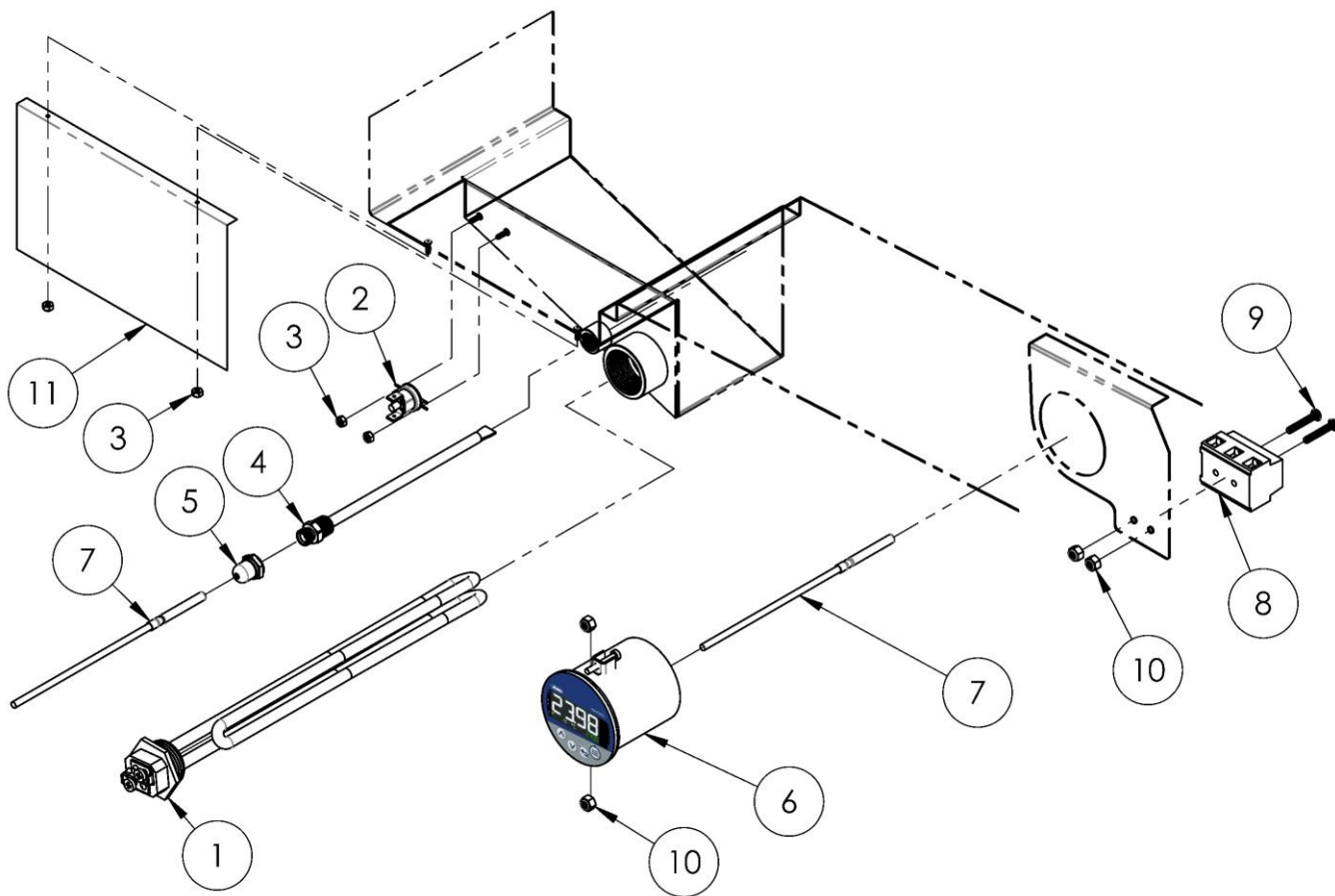


ITEM NO.	NO. REQ'D	P/N	DESCRIPTION
1	1	00201.67	Wash Pump Motor 3/4 HP
2	1	N/A	Motor Gasket
3	1	04207.10	Pump Base Stainless Steel
4	1	03226.00	Pump O Ring
5	1	00206.30	Pump Seal Kit (11/07)
6	1	00203.40	Impeller Closed Domestic 4 SS
7	1	03108.61	Transfer Hose 1 Reinforced 24"
8	2	03101.00	Hose Clamp, #16, 1 inch

ITEM NO.	NO. REQ'D	P/N	DESCRIPTION
9	1	04207.20	Pump Cover Stainless Steel
10	1	04604.00	35Deg Elbow MIP X Barb SS
11	2	00238.00	Pipe Plug, 3/8" MPT, Square Head, Brass
12	1	00208.40	Slip Joint Nut O Ring Buna
13	1	04204.00	L-1X Compression Nut 2.5"
14	8	00921.11	3/8-16 X 5/8 Hex Bolt
15	2	00926.00	5/16 SS Washer
16	2	00906.52	1/4-20 X 3/8 Hex Head Bolt

Motor Assembly (#1 thru #6) PN00200.71

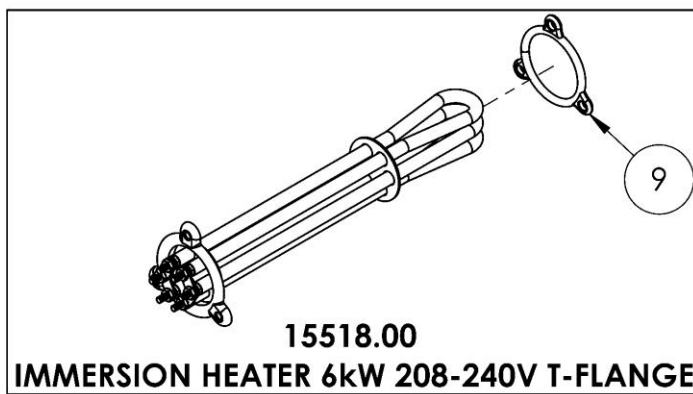
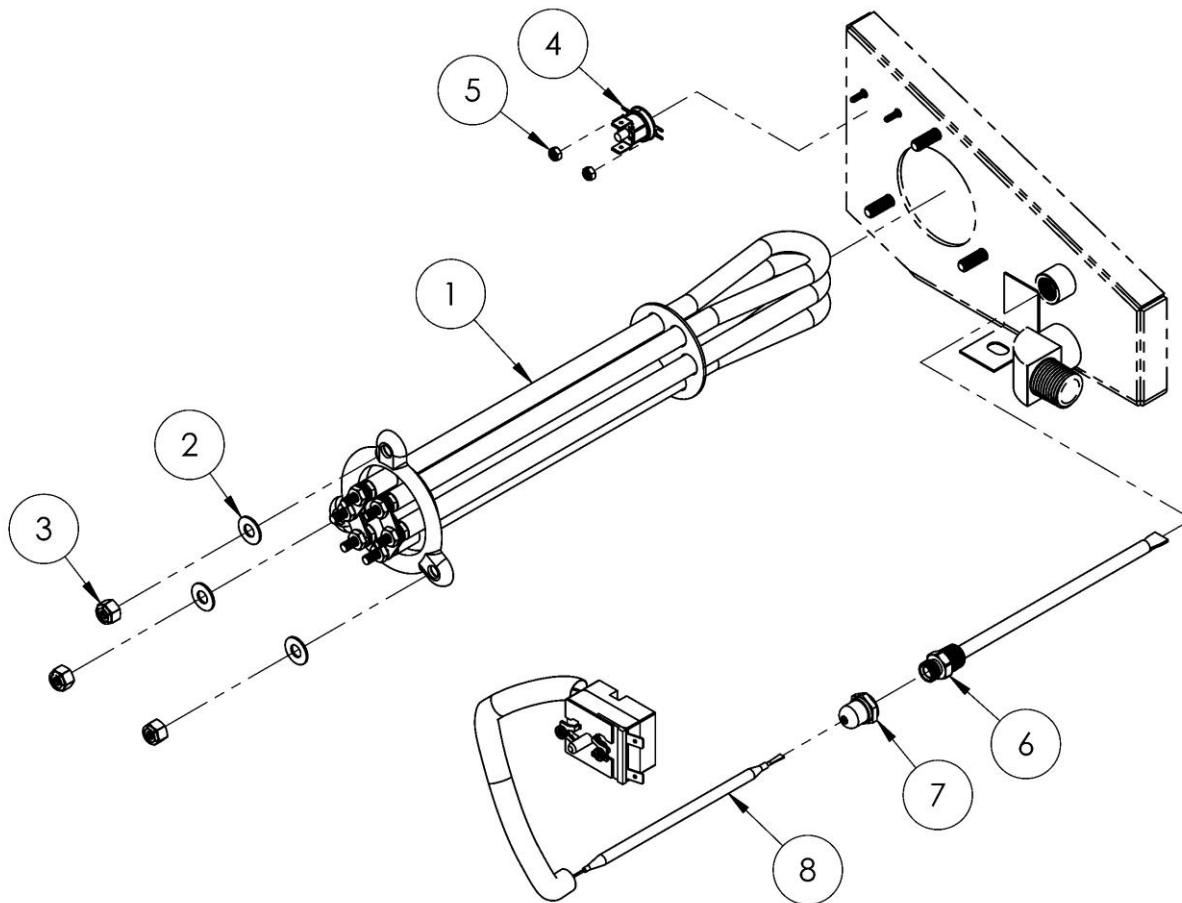
1.1.13 CMA 180 UC-3 Plug Heater Assembly



ITEM NO.	NO. REQ'D	P/N	DESCRIPTION
1	1	13415.48	Screw Plug Heater 2.5 kW 208-240V
2	1	17523.51	Hi-Limit Switch 250 Deg
3	4	00971.10	4-40 Nylon Lock Nut
4	1	13417.50	Thermostat Thermowell
5	1	03476.00	Boot/Cover, Push Button Switch, Rubber
6	1	13440.00	Digital Thermostat 180UC-3

ITEM NO.	NO. REQ'D	P/N	DESCRIPTION
7	1	13440.01	Digital Thermostat probe 180UC-3
8	1	15520.50	Power Block 3 Position
9	2	13825.00	8-32 x 1 Panhead Screw
10	4	00927.00	Lock Nut with Nylon Insert, 8-32
11	1	03705.25	Heater Splash Shield Mylar

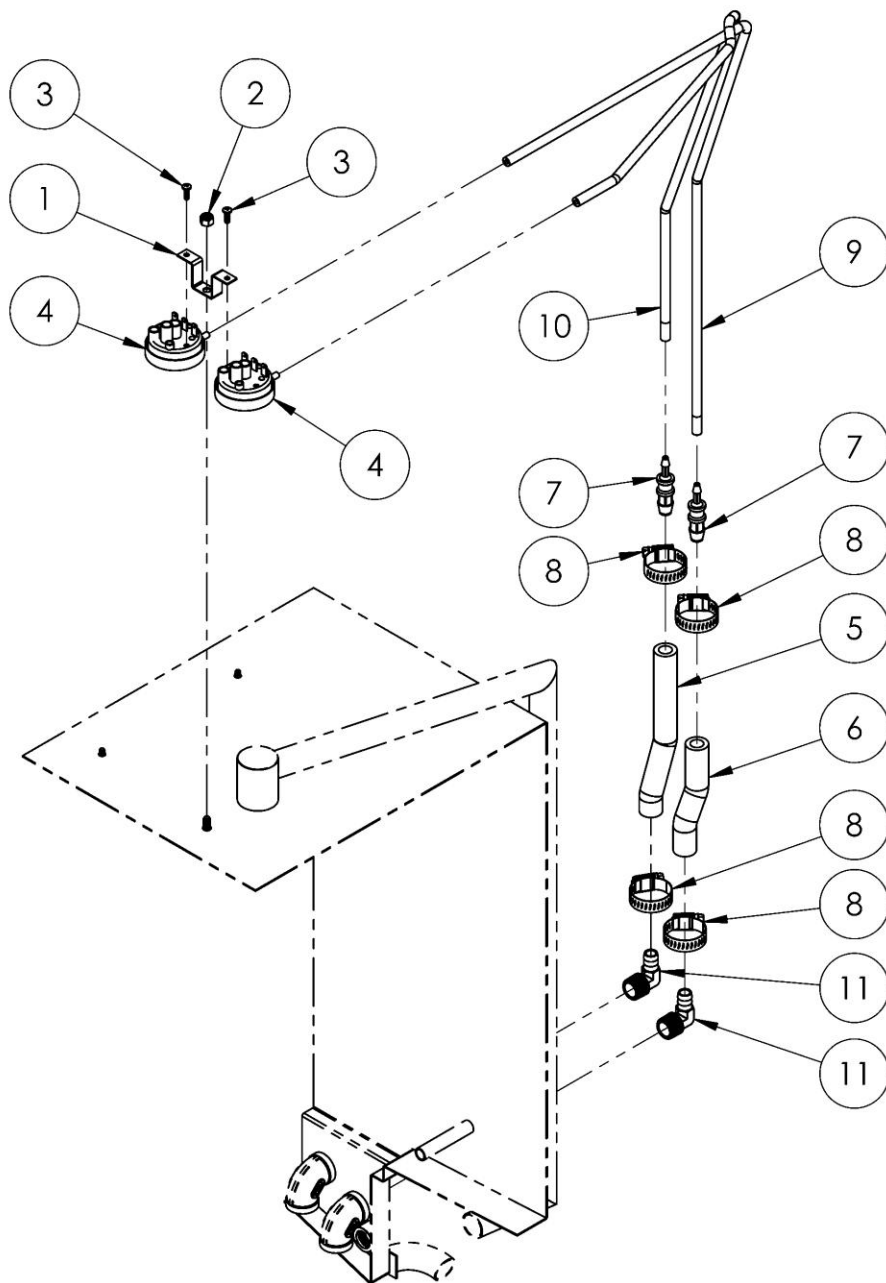
1.1.14 CMA 180 UC-3 Booster Heater Assembly



ITEM NO.	NO. REQ'D	P/N	DESCRIPTION
1	1	15518.00	Immersion Heater 6kW208-240V T-Flange Including # 9
2	3	00924.00	1/4" SS Washer
3	3	00912.00	1/4"-20 Nylon Lock Nut
4	1	17523.51	Hi-Limit Switch 250 Deg
5	2	00971.10	4-40 Nylon Lock Nut

ITEM NO.	NO. REQ'D	P/N	DESCRIPTION
6	1	13417.50	Thermostat Thermowell
7	1	03476.00	Boot/Cover, Push Button Switch, Rubber
8	1	13417.92	Heater Thermostat
9	1	15518.11	Gasket/O-Ring, Heating Element

1.1.15 CMA 180 UC-3 Pressure Switch Assembly



ITEM NO.	NO. REQ'D	P/N	DESCRIPTION
1	1	02104.90	Pressure Switch Bracket
2	1	00912.00	1/4"-20 Nylon Lock Nut
3	2	00911.00	8-32 X 1/2 Pan Head Screw
4	2	02100.41	Pressure Switch
5	1	N/A	OD 0.85 x ID 0.5 x 6.8 LG Black Hose
6	1	N/A	OD 0.85 x ID 0.5 x 4.44 LG Black Hose

ITEM NO.	NO. REQ'D	P/N	DESCRIPTION
7	2	02701.00	Pressure Switch Hose Adapter GW181VL
8	4	03101.00	Hose Clamp, #16, 1 inch
9	1	N/A	(LH) 5/32" ID Black Hose
10	1	N/A	(RH) 5/32" ID Black Hose
11	2	40013.00	1/2 Barb x 1/2 MPT 90Deg EII