



**MODELS CMA-180 VL/180 VLTall  
PARTS MANUAL  
Rev 2.04 01-22-25**



**CMA DISHMACHINES  
17707 VALLEY VIEW AVE  
CERRITOS, CALIFORNIA 90703**

**800-854-6417**

FAX 714-895-2141

[www.cmadishmachines.com](http://www.cmadishmachines.com)

[Buy Parts](#)

# TABLE OF CONTENTS

## MODEL CMA-180 VL

<b>1. PARTS MANUAL .....</b>	<b>3</b>
1.1. INITIAL PARTS KIT #1100.16 .....	3
1.2. EXPLODED VIEW DRAWINGS.....	4
1.2.1. <i>Straight Frame System Assembly</i> .....	4
1.2.2. <i>Heat Recovery System</i> .....	5
1.2.3. <i>Drain System Assembly (Ventless Unit)</i> .....	6
1.2.4. <i>Plumbing System Assembly</i> .....	7-9
1.2.5. <i>Wash Spray System</i> .....	10
1.2.6. <i>Final Rinse System Assembly</i> .....	11
1.2.7. <i>CMA-180 Door Handle Assembly</i> .....	12
1.2.8. <i>Pump System Assembly</i> .....	13
1.2.9. <i>Wash Tank Heater (Triangular Flange)</i> .....	14
1.2.10. <i>Booster Tank Heater (Triangular Flange)</i> .....	15
1.2.11. <i>Control Box Assembly</i> .....	16
1.2.12. <i>Heat Recovery System Control Box</i> .....	17
1.2.13. <i>Heat Recovery System Control Box 480V</i> .....	18
1.2.14. <i>Door Safety Interlock (DSI) Assembly P/N <a href="#">17712.84</a></i> .....	19
1.2.15. <i>Unique Parts For CMA-180VL-T</i> .....	20
1.2.16. <i>Unique Parts for CMA-180T Split Door</i> .....	21
1.2.17. <i>Water Tempering Kit (Optional)</i> .....	22&23

# 1. Parts Manual

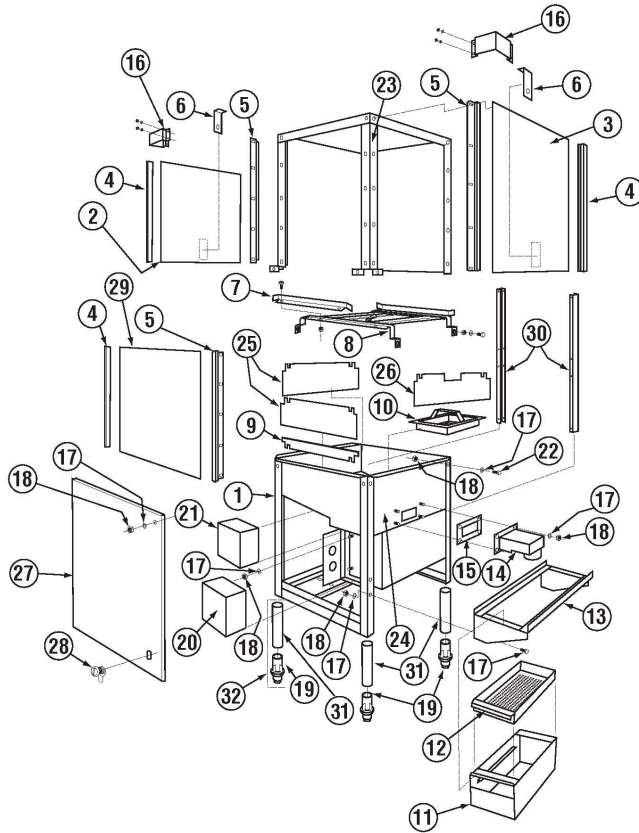
---

## 1.1. Initial Parts Kit #1100.16

P/N	DESCRIPTION	Qty
<a href="#">00121.17</a>	CMA-180 Drain Stopper	1
<a href="#">00200.10</a>	Pump Assy. 115/220V 60Hz (Open)	1
<a href="#">00206.30</a>	Pump Seal Kit	1
<a href="#">00304.29</a>	Rinse Arm w/ Bearings	1
<a href="#">00307.20</a>	Spray Arm Assy w/bearing & end plugs	1
<a href="#">00363.00</a>	Spray Base Pull Lock Pin	1
<a href="#">00404.85</a>	Contactora 208/240V 20 Amp	1
<a href="#">00409.93</a>	CMA-180VL Timer Assy 7 Cam	1
<a href="#">00409.95</a>	CMA-180VL Timer Assy 8 Cam Sleep Timer	1
<a href="#">00411.00</a>	Micro Switch	1
<a href="#">00421.78</a>	Illuminated Plug CMA-180/44 P	1
<a href="#">00421.89</a>	Rocker Switch Auto Fill	1
<a href="#">00421.90</a>	Power Switch Red 250V	1
<a href="#">00475.70</a>	Toggle Switch DPDT 15 Amp/Delimer	1
<a href="#">00562.00</a>	Roller Door Switch	1
<a href="#">00602.20</a>	Door Spring	1
<a href="#">00631.05</a>	Ice Cube Relay 220V 12 Amp	1
<a href="#">00706.00</a>	3/4 Water Solenoid Repair Kit JE	1
<a href="#">00707.00</a>	1/2 Water Solenoid Repair Kit JE	1
<a href="#">00735.00</a>	3/4 Vac Breaker Rep Kit Watts	1
<a href="#">00738.15</a>	Solenoid Coil JE 220V (3/4 & 1/2)	1
<a href="#">03202.00</a>	Wash Thermometer. (Rinse <a href="#">PN3202.18</a> )	1
<a href="#">03408.55</a>	Counter - Face Mount 220V/50Hz	1
<a href="#">03470.00</a>	Toggle Switch (Momentary) Screw Term	1
<a href="#">03623.00</a>	1/2" Vac Breaker Repair Kit Watts	1
<a href="#">13003.17</a>	Contactora 60 Amp 3 Pole	1
<a href="#">13003.55</a>	Contactora 30 Amp	1
<a href="#">13304.55</a>	SS Final Rinse Spray Jet SS	1
<a href="#">13417.92</a>	Heater Thermostat	1
<a href="#">13422.71</a>	Immersion Heater 240V/12kW T-Flange	1
<a href="#">13463.14</a>	Liquid Level Switch-Long-D Flat	1
<a href="#">13605.00</a>	Pressure Gauge(PN <a href="#">13605.45</a> MFG after Jan 2020)	1
<a href="#">15518.00</a>	Immersion Heater 6kW208-240V T-Flange	1
<a href="#">17523.51</a>	Hi Limit Switch 250 Deg	1

## 1.2. Exploded View Drawings

### 1.2.1. Straight Frame System Assembly

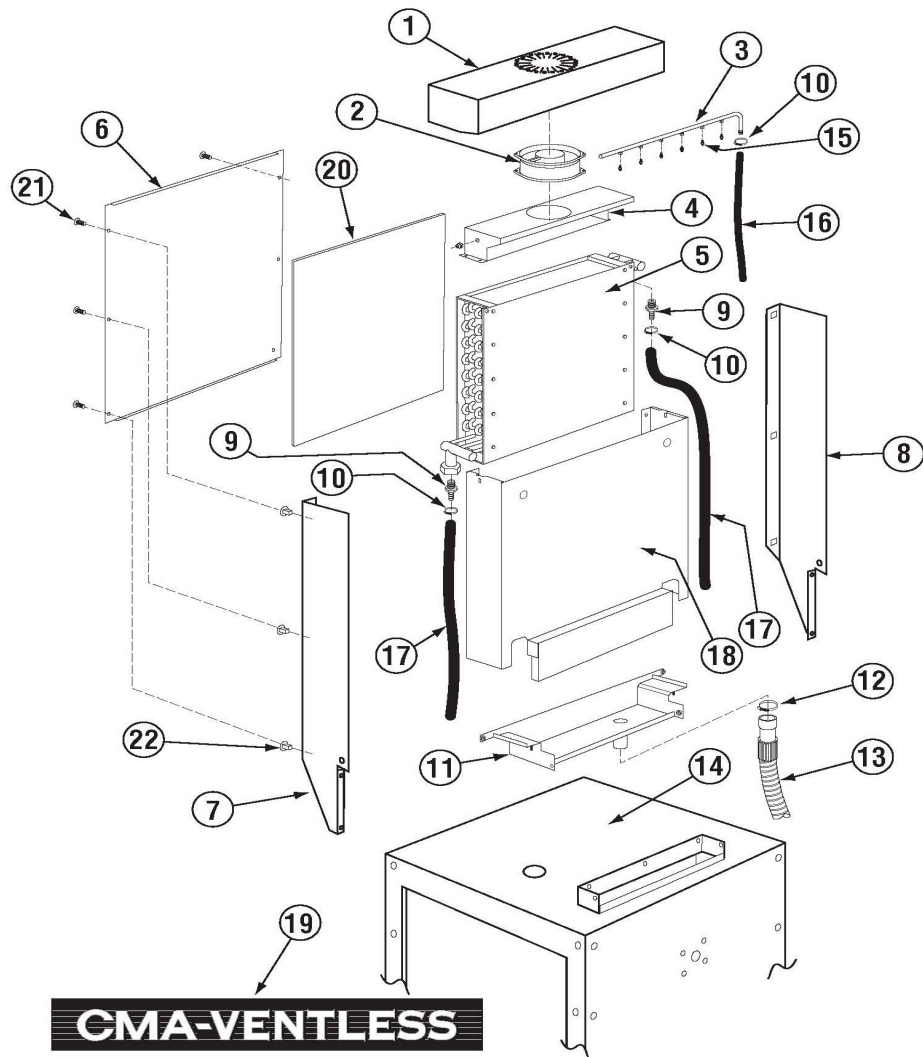


ITEM NO.	NO. REQ'D	P/N	DESCRIPTION
1	1	17532.18	Frame Stand
2	1	17506.37	Left Door
3	1	17506.38	Ventless Right Door
4	6	00636.17	E Z Door Glide
5	6	17554.00	Door Guide
6	2	17552.00	Door Stop
7	1	01505.16	Corner Tray Track Rail
8	1	01505.10	Tray Track (EST/EC/ 180)
9	1	17506.65	Door Service Splash Guard
10	2	17510.00	Strainer Basket
11	1	01579.10	Scrap Body SS
12	1	01579.20	Scrap Trap Drawer
13	1	17579.00	Scrap Trap Holder
14	1	17511.00	Overflow
15	1	17402.00	Overflow Gasket
16	1	01516.50	3-Dr Bracket outside Style

ITEM NO.	NO. REQ'D	P/N	DESCRIPTION
17	60	00924.00	1/4" SS Washer
18	30	00912.00	1/4"-20 Nylon Lock Nut
19	4	01310.00	Bullet Feet
20	1	17522.50	Wash Tank Heater Cover
21	1	17522.00	Booster Heater Cover
22	23	00914.10	1/4-20 X 5/8 Hex Bolt
23	1	17591.00	CMA-180 Ventless Wrapper
24	1	17531.00	Pan
25	2	17506.60	Door Panel Splash Guard
26	1	17506.62	180 Splash Shield - lever side
27	1	17546.00	180VL Skirt - Screws * below
28	1	00449.50	Keyless Lock
29	1	17506.36	Front Door
30	2	17530.45	Frame Support Bar
31	4	01572.10	SS Leg (A, AH, C, B)
32	--	01145.00	Leg Assembly, 10" w/Bullet Foot

\* Skirt Screws & Lock Washers PN940.50 & 3814.10

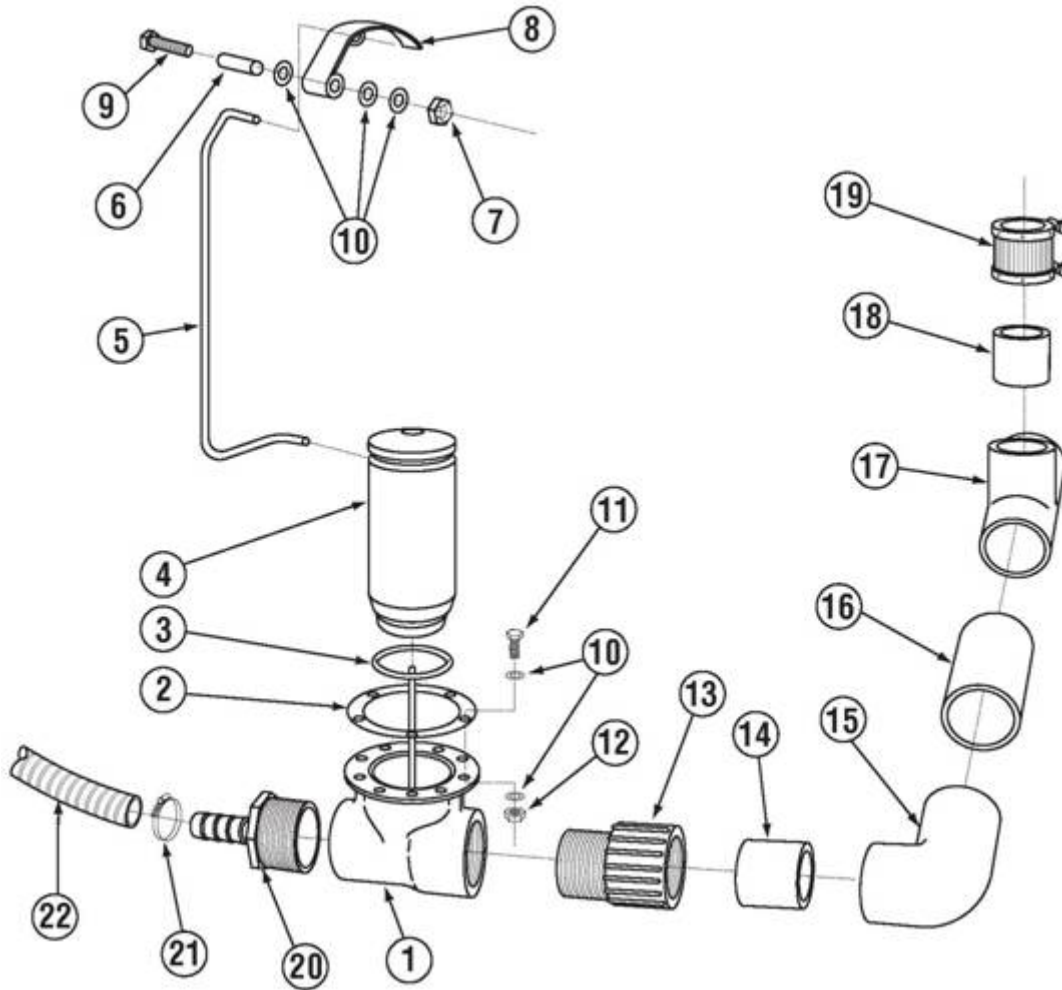
## 1.2.2. Heat Recovery System



ITEM NO.	NO. REQ'D	P/N	DESCRIPTION
1	1	<a href="#">17595.00</a>	CMA-180 Ventless Top Cover
2	1	<a href="#">02401.01</a>	Motor Fan 230V, 50/60Hz
3	1	02401.17	Battery Self Cleaning Pipe Incl 6-#15
4	1	17593.00	CMA-180 Ventless Fan Mount
5	1	<a href="#">02401.05</a>	Heat Recovery Battery
6	1	17596.00	CMA-180 Ventless Rear Cover
7	1	17598.00	CMA-180 Ventless Support L.H.
8	1	17597.00	CMA-180 Ventless Support R.H.
9	2	<a href="#">40014.00</a>	1/2m x 1/2 Barb Straight
10	3	<a href="#">03101.45</a>	Hose Clamp #4
11	1	<a href="#">17592.00</a>	CMA-180 Ventless Drain Pan

ITEM NO.	NO. REQ'D	P/N	DESCRIPTION
12	1	<a href="#">03101.00</a>	Hose Clamp #16 1"
13	1	<a href="#">15605.00</a>	Drain Hose for 180-VL
13	1	15605.10	Drain Hose for 180-VL TALL
14	1	17591.00	CMA-180 Ventless Wrapper
15	7	<a href="#">02101.01</a>	Stainless Steel Rinse Nozzle
16	FT	<a href="#">03107.51</a>	Flexible Black Hose 3/8" Order per foot
17	FT	<a href="#">03107.50</a>	Flexible Black Hose 1/2" Order per foot
18	1	17594.00	CMA-180 Ventless Shroud
19	1	06231.15	CMA Ventless Label 23.25 x 3.25
20	1	<a href="#">17599.15</a>	Heat Recovery Battery Insulation
21	6	<a href="#">00982.00</a>	Phillips Truss Screws
22	6	<a href="#">00981.00</a>	Nylon Pop-in Nut

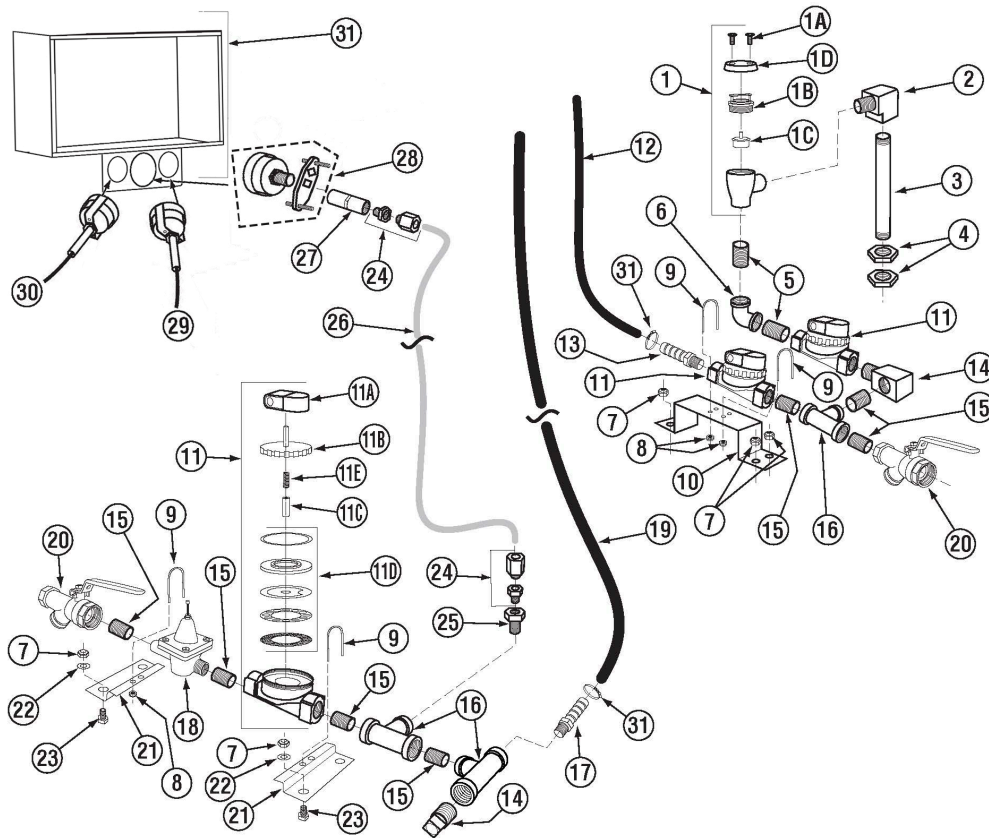
### 1.2.3. Drain System Assembly (Ventless Unit)



ITEM NO.	NO. REQ'D	P/N	DESCRIPTION
1	1	00113.17	Drain Tee Casting
2	1	00114.00	Drain Tee Gasket
3	1	00121.18	Drain Stopper "O" Ring
*4	1	00121.17	Drain Stopper
5	1	17581.00	Drain Linkage
6	1	17580.50	Drain Linkage Spacer
7	1	00912.00	1/4"-20 Nylon Lock Nut
8	1	17580.00	Drain Lever
9	1	00910.00	1/4"-20 x 1 1/2" Hex Head Bolt
10	16	00926.00	5/16 S/S Washer
11	6	00901.00	5/16 -18 x 1" Hex Head Bolt
* #00121.17 includes #00121.18			

ITEM NO.	NO. REQ'D	P/N	DESCRIPTION
12	6	13805.00	5/16-18 Nylon Lock Nut
13	1	01313.00	2" PVC Slip x MIPT Adapter
14	1	05030.17	2" x 4" PVC Tubing
15	1	01312.00	PVC Slip x Slip 90 Elbow
16	1	05030.27	2" x 6" PVC Tubing
17	1	01320.17	2" PVC Tee SxSxS
18	1	05030.10	2" x 3" PVC Tubing
19	1	01315.17	2" No Hub
20	1	50302.42	180VL Drain Hose Fitting
21	1	03101.00	Hose Clamp #16 1"
22	1	15605.00	Drain Hose with Goose Neck
22	1	15605.10	Drain Hose for 180-VL TALL

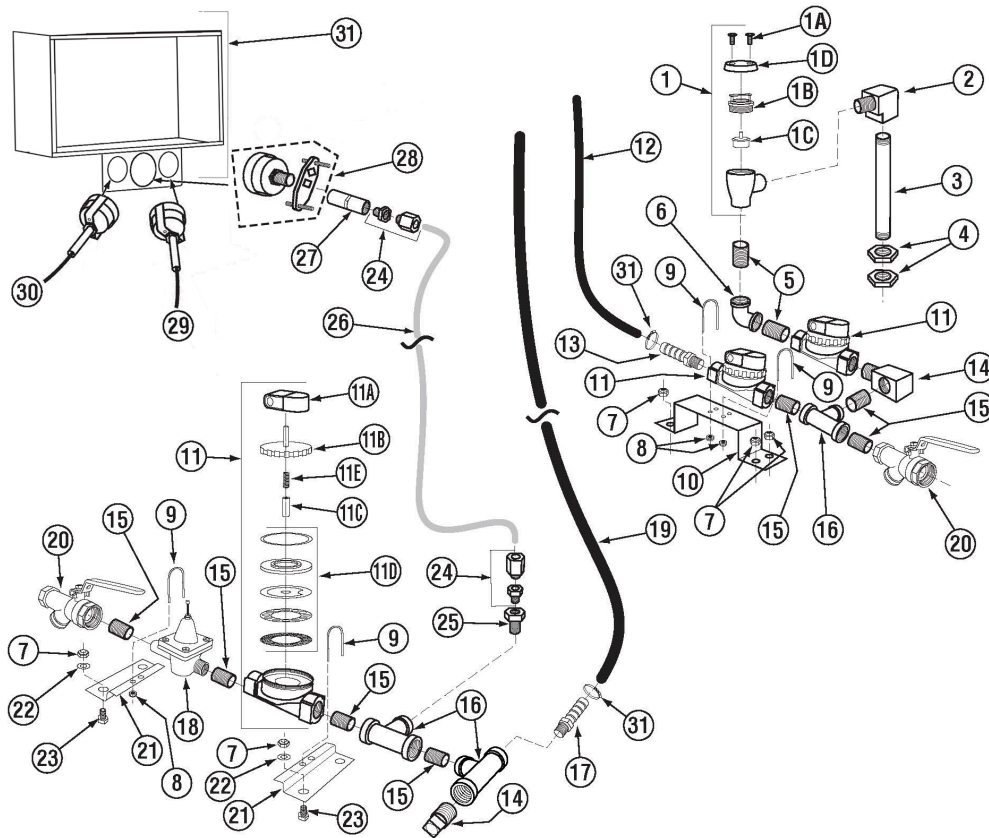
### 1.2.4. Plumbing System Assembly (May 2023)



ITEM NO.	NO. REQ'D	P/N	DESCRIPTION
1	1	<a href="#">03624.00</a>	Vacuum Breaker 1/2" Watts
1A	--	<a href="#">00421.51</a>	Pan Head Screw SS 6-32 x 1/4"
1B	--	<a href="#">03624.25</a>	Vacuum Breaker Brass Bonnet 1/2"
1C	--	<a href="#">03623.00</a>	Vacuum Breaker Repair Kit 1/2"
1D	--	<a href="#">00739.50</a>	Vacuum Breaker Cap
2	1	<a href="#">00745.00</a>	Street Elbow 1/2" 90Deg
3	1	<a href="#">00747.10</a>	Nipple 1/2" x 5" Brass
4	2	<a href="#">00721.00</a>	Jamb Lock Nut Thin Pattern
5	2	<a href="#">13639.00</a>	Nipple SS 3/4 x Close
6	2	<a href="#">13633.00</a>	3/4 90 Elbow FxF Brass
7	6	<a href="#">00912.00</a>	1/4-20 Nylon Lock Nut
8	4	<a href="#">00912.00</a>	1/4-20 Nylon Lock Nut
9	3	<a href="#">01526.10</a>	Plumbing Bracket Strap
10	1	<a href="#">01526.00</a>	Plumbing Support Bracket
11	3	<a href="#">03603.15</a>	1/2 Solenoid Valve JE 240V/60Hz
11A	1	<a href="#">00738.15</a>	Water Sol Valve Coil 220V
11B	--	<a href="#">03603.20</a>	Water Sol Valve Bonnet 1/2"
11C	--	<a href="#">00786.00</a>	Water Sol Plunger 1/2" & 3/4" w/spring
11D	--	<a href="#">00707.00</a>	Water Sol Repair Kit JE 1/2"

ITEM NO.	NO. REQ'D	P/N	DESCRIPTION
12	Per FT	<a href="#">03107.51</a>	Flexible Black Hose 3/8"
13	1	<a href="#">40014.10</a>	1/2m x 3/8" Barb Straight
14	1	<a href="#">13642.00</a>	1/2" MIP Plug Brass Sq. Head
15	8	<a href="#">03614.00</a>	Nipple Brass 1/2" Close
16	3	<a href="#">00743.10</a>	Tee 1/2" FxFxF
17	1	<a href="#">40014.00</a>	1/2m x 1/2" Barb Straight
18	1	<a href="#">13602.28</a>	Pressure Regulator 1/2
19	Per FT	<a href="#">03107.50</a>	Flexible Black Hose 1/2"
20	2	<a href="#">41062.00</a>	1/2" Strainer Ball Valve
21	2	<a href="#">01528.00</a>	Plumbing Support Bracket
22	2	<a href="#">00924.00</a>	1/4 SS Washer
23	2	<a href="#">00906.00</a>	1/4-20 X 1/2 Hexhead Bolt
24	2	<a href="#">40116.00</a>	1/4 Comp x 1/4 MIP Fitting
25	1	<a href="#">13604.00</a>	1/2 x 1/4 Bushing Brass
26	1	<a href="#">00425.24</a>	Chemical Tubing
27	1	<a href="#">13618.11</a>	Coupling 1/4" Brass
28	1	<a href="#">13605.45</a>	Pressure Gauge
29	1	<a href="#">03202.00</a>	Wash Thermometer
30	1	<a href="#">03202.18</a>	Final Rinse Thermometer

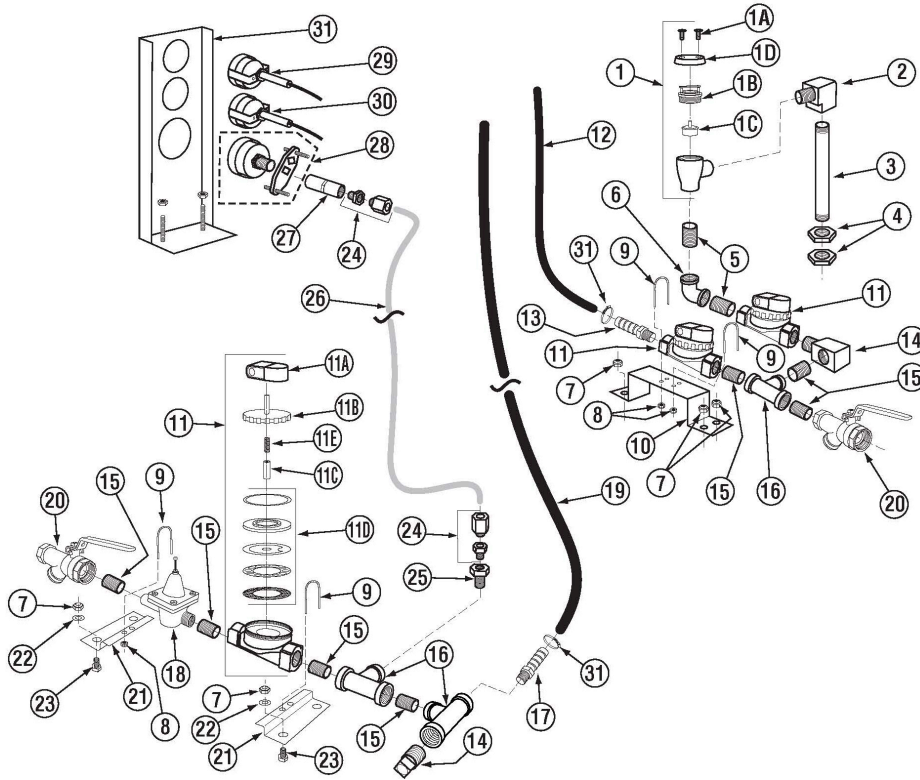
### 1.2.4. Plumbing System Assembly (January 2020)



ITEM NO.	NO. REQ'D	P/N	DESCRIPTION
1	1	<a href="#">00710.50</a>	Vacuum Breaker 3/4" Watts
1A	--	<a href="#">00421.51</a>	Pan Head Screw SS 6-32 x 1/4"
1B	--	<a href="#">00735.60</a>	Vacuum Breaker Brass Bonnet 3/4"
1C	--	<a href="#">00735.00</a>	Vacuum Breaker Repair Kit 3/4"
1D	--	<a href="#">00739.50</a>	Vacuum Breaker Cap
2	1	<a href="#">00704.00</a>	Street Elbow 3/4" 90Deg
3	1	<a href="#">13613.00</a>	Nipple 3/4" x 5 1/2" Brass
4	2	<a href="#">13606.10</a>	Jamb Lock Nut Thin Pattern
5	2	<a href="#">13639.00</a>	Nipple SS 3/4 x Close
6	2	<a href="#">13633.00</a>	3/4 90 Elbow FxF Brass
7	6	<a href="#">00912.00</a>	1/4-20 Nylon Lock Nut
8	4	<a href="#">00912.00</a>	1/4-20 Nylon Lock Nut
9	3	<a href="#">01526.10</a>	Plumbing Bracket Strap
10	1	<a href="#">01526.00</a>	Plumbing Support Bracket
11	3	<a href="#">03603.15</a>	1/2 Solenoid Valve JE 240V/60Hz
11A	1	<a href="#">00738.15</a>	Water Sol Valve Coil 220V
11B	--	<a href="#">03603.20</a>	Water Sol Valve Bonnet 1/2"
11C	--	<a href="#">00786.00</a>	Water Sol Plunger 1/2" & 3/4" w/spring
11D	--	<a href="#">00707.00</a>	Water Sol Repair Kit JE 1/2"

ITEM NO.	NO. REQ'D	P/N	DESCRIPTION
12	Per FT	<a href="#">03107.51</a>	Flexible Black Hose 3/8"
13	1	<a href="#">40014.10</a>	1/2m x 3/8" Barb Straight
14	1	<a href="#">13642.00</a>	1/2" MIP Plug Brass Sq. Head
15	8	<a href="#">03614.00</a>	Nipple Brass 1/2" Close
16	3	<a href="#">00743.10</a>	Tee 1/2" FxFxF
17	1	<a href="#">40014.00</a>	1/2m x 1/2" Barb Straight
18	1	<a href="#">13602.28</a>	Pressure Regulator 1/2
19	Per FT	<a href="#">03107.50</a>	Flexible Black Hose 1/2"
20	2	<a href="#">41062.00</a>	1/2" Strainer Ball Valve
21	2	<a href="#">01528.00</a>	Plumbing Support Bracket
22	2	<a href="#">00924.00</a>	1/4 SS Washer
23	2	<a href="#">00906.00</a>	1/4-20 X 1/2 Hexhead Bolt
24	2	<a href="#">40116.00</a>	1/4 Comp x 1/4 MIP Fitting
25	1	<a href="#">13604.00</a>	1/2 x 1/4 Bushing Brass
26	1	<a href="#">00425.24</a>	Chemical Tubing
27	1	<a href="#">13618.11</a>	Coupling 1/4" Brass
28	1	<a href="#">13605.45</a>	Pressure Gauge
29	1	<a href="#">03202.00</a>	Wash Thermometer
30	1	<a href="#">03202.18</a>	Final Rinse Thermometer

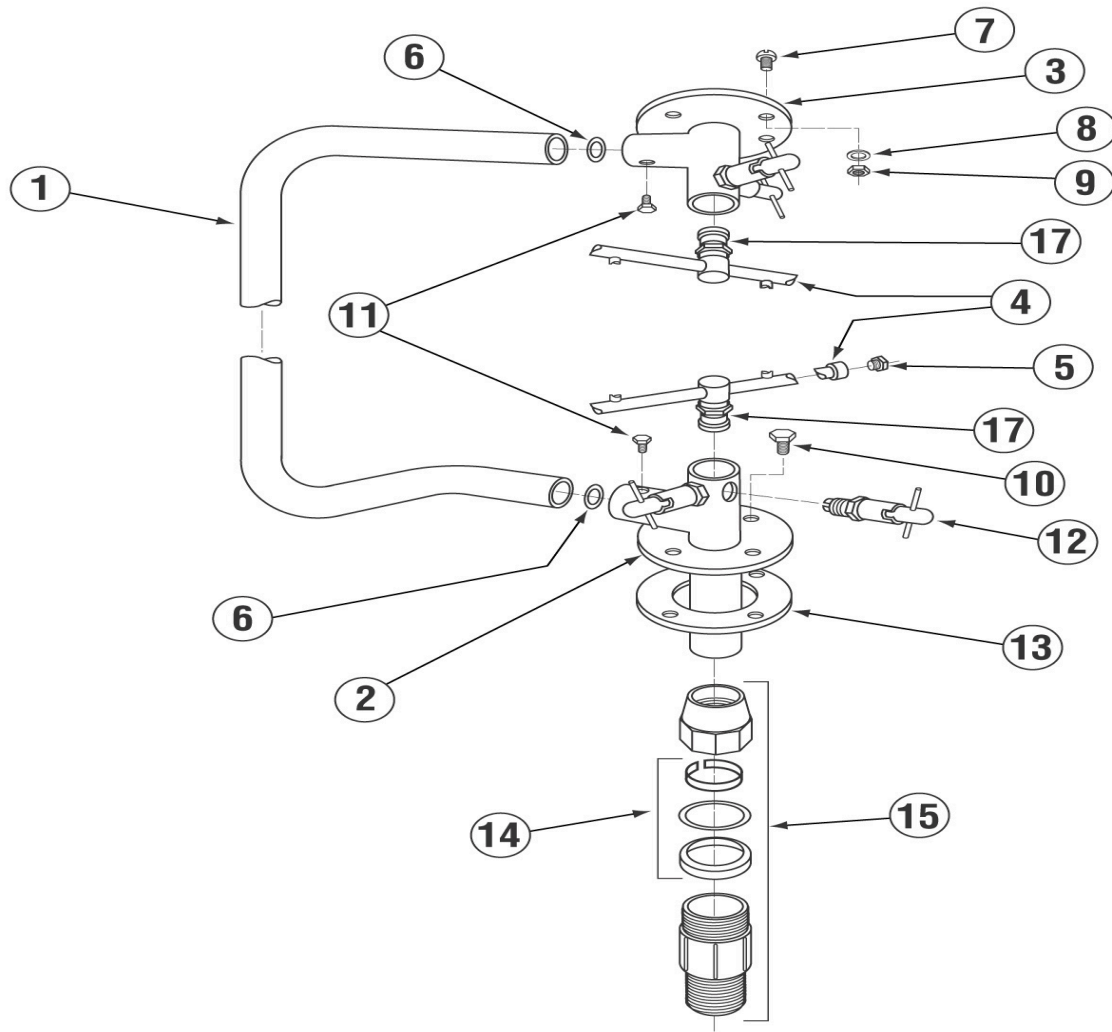
## 1.2.4. Plumbing System Assembly



ITEM NO.	NO. REQ'D	P/N	DESCRIPTION
1	1	00710.50	Vacuum Breaker 3/4" Watts
1A	--	00421.51	Pan Head Screw SS 6-32 x 1/4"
1B	--	00735.60	Vacuum Breaker Brass Bonnet 3/4"
1C	--	00735.00	Vacuum Breaker Repair Kit 3/4"
1D	--	00739.50	Vacuum Breaker Cap
2	1	00704.00	Street Elbow 3/4" 90Deg
3	1	13613.00	Nipple 3/4" x 5 1/2" Brass
4	2	13606.10	Jamb Lock Nut Thin Pattern
5	2	13639.00	Nipple SS 3/4 x Close
6	2	13633.00	^3/4 90 Ell F x F Brass
7	6	00912.00	1/4-20 Nylon Lock Nut
8	4	00912.00	1/4-20 Nylon Lock Nut
9	3	01526.10	Plumbing Bracket Strap
10	1	01526.00	Plumbing Support Bracket
11	3	03603.15	1/2 Solenoid Valve JE 240V/60Hz
11A	1	00738.15	Water Sol Valve Coil 220V
11B	--	03603.20	Water Sol Valve Bonnet 1/2"
11C	--	00786.00	Water Sol Plunger 1/2" & 3/4" w/spring
11D	--	00707.00	Water Sol Repair Kit JE 1/2"
12	FT	03107.51	Flexible Black Hose 3/8"

ITEM NO.	NO. REQ'D	P/N	DESCRIPTION
13	1	40014.10	1/2m x 3/8" Barb Straight
14	1	13642.00	1/2" MIP Plug Brass Sq. Head
15	8	03614.00	Nipple Brass 1/2 Close
16	3	00743.10	Tee 1/2" FXFXF
17	1	40014.00	1/2m x 1/2 Barb Straigh
18	1	13602.28	Pressure Regulator 1/2
19	FT	03107.00	Flexible Black Hose 1/2"
20	2	41062.00	^1/2 Strainer Ball Valve
21	2	01528.00	Plumbing Support Bracket
22	2	00924.00	1/4 SS Washer
23	2	00906.00	1/4-20 X 1/2 Hexhead Bolt
24	2	40116.00	1/4 Comp x 1/4 MIP Fitting
25	1	13604.00	1/2 x 1/4 Bushing Brass
26	1	00425.54	Chemical Tubing
27	1	13618.11	Coupling 1/4" Brass
28	1	13605.45	Pressure Gauge 180-UC
29	1	03202.00	Thermometer "Wash"
30	1	03202.18	Thermometer "Rinse"
31	1	17534.50	Gauge Bracket

### 1.2.5. Wash Spray System



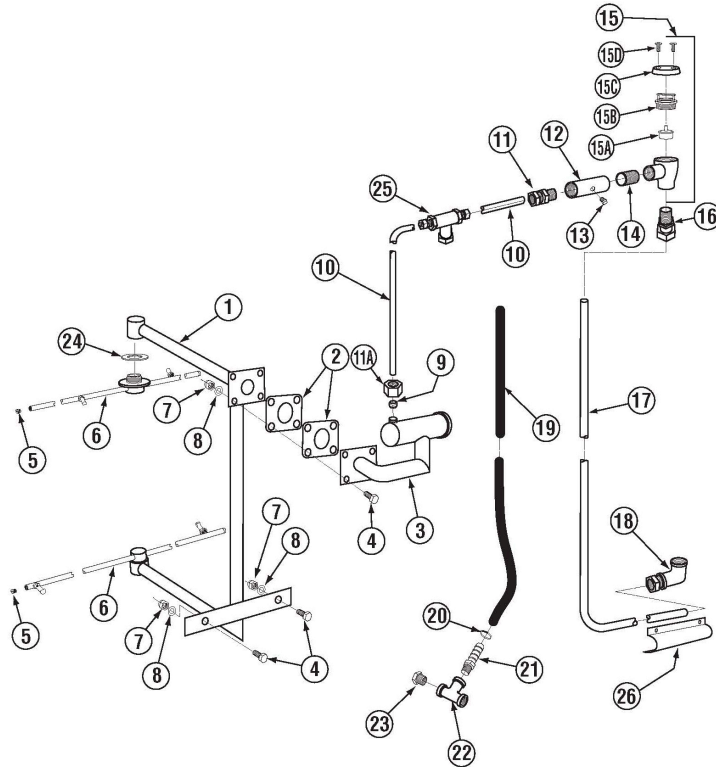
ITEM NO.	NO. REQ'D	P/N	DESCRIPTION
1	1	<a href="#">00303.17</a>	Manifold
*2	1	<a href="#">00360.24</a>	Lower Spray Base Assembly
**3	1	<a href="#">00361.10</a>	Upper Spray Base Assembly
4	2	<a href="#">00304.17</a>	Wash Spray Arm
5	4	<a href="#">00308.50</a>	Spray Arm End Plug SS
6	2	<a href="#">00302.51</a>	Spray Base "O" Ring
7	4	<a href="#">00905.00</a>	Truss Head Bolt 1/4"-20"x1/2"
8	12	<a href="#">00924.00</a>	SS Washer 1/4"

ITEM NO.	NO. REQ'D	P/N	DESCRIPTION
9	8	<a href="#">00912.00</a>	Nylon Lock Nut 1/4" – 20
10	4	<a href="#">00914.10</a>	Hex Head Bolt 1/4"-20"x5/8"
11	2	<a href="#">00966.10</a>	Hex Head SS Bolt 10-32
12	4	<a href="#">00363.00</a>	Spray Base Lock Pin
13	1	<a href="#">00302.00</a>	Spray Base Gasket
14	1	<a href="#">00225.00</a>	Compression Gasket
15	1	<a href="#">00221.20</a>	1" Comp. Fit.x1"MIP SS
16	1	<a href="#">00759.17</a>	Base Quick Release W/Nipple
17	2	<a href="#">00341.00</a>	Spray Arm Bearing

\*\*P/N [00361.10](#) Includes Items 11,12 & 6

\*P/N [00360.24](#) Includes Items 11, 12 & 6

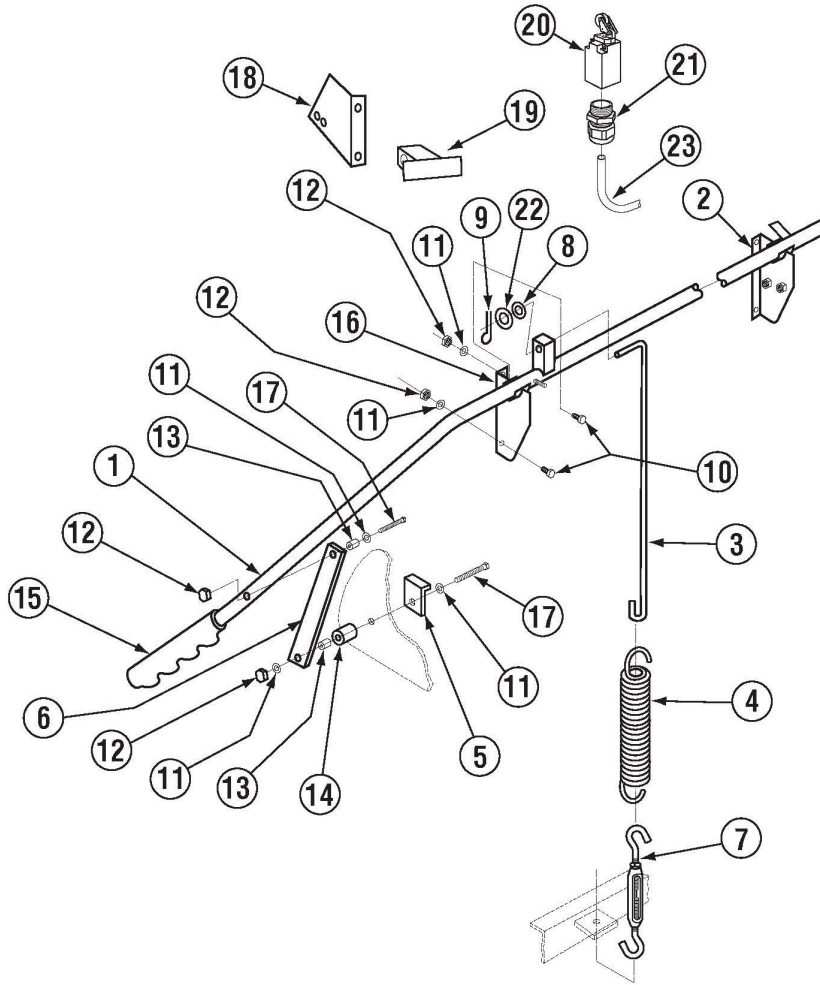
## 1.2.6. Final Rinse System Assembly



ITEM NO.	NO. REQ'D	P/N	DESCRIPTION
1	1	<a href="#">17401.00</a>	Final Rinse Manifold
2	2	<a href="#">04306.00</a>	Square Manifold Gasket (CMA-180)
3	1	<a href="#">13607.40</a>	180VL Final Rinse Pipe Ass.
4	6	<a href="#">00914.00</a>	1/4"-20x5/8 Hex Bolt
5	4	<a href="#">00308.17</a>	Rinse Arm SS End Plug
6	2	<a href="#">00304.29</a>	Rinse Arm w/ Bearings (180&180UC)
7	6	<a href="#">00912.00</a>	1/4"-20 Nylon Lock Nut
8	6	<a href="#">00924.00</a>	1/4"SS Washer
9	1	<a href="#">13607.20</a>	3/8 Compression Fitting Sleeve
10	1	<a href="#">05004.11</a>	3/8" SS Tubing
11	1	<a href="#">00436.20</a>	3/8" Comp X 1/2" MIP Fitting
11A	1	<a href="#">13607.10</a>	3/8 Compression Fitting Nut
12	1	<a href="#">13669.45</a>	Mixing Chamber SS CMA 180UC
13	1	<a href="#">03232.00</a>	1/8 Male Plug
14	1	<a href="#">13629.00</a>	1/2" S.S. Close Nipple

ITEM NO.	NO. REQ'D	P/N	DESCRIPTION
15	1	<a href="#">03624.00</a>	1/2" Vacuum Breaker
15A	--	<a href="#">03623.00</a>	1/2" Vacuum Breaker Kit
15B	--	<a href="#">03624.25</a>	1/2" Brass Bonnet
15C	--	<a href="#">00739.50</a>	3/4" Vacuum Breaker Cap
15D	--	<a href="#">00421.51</a>	6-32 x 1/4" SS Pan Head Screw Phillips
16	1	<a href="#">00760.00</a>	5/8 Comp x 1/2" MIP Adapter
17	1	<a href="#">13607.44</a>	180VL Rinse Plumbing Line
18	1	<a href="#">17550.11</a>	1/2 90Deg Street Elbow
19	FT	<a href="#">03107.00</a>	Flexible Black Hose 1/2" Order per foot
20	1	<a href="#">03101.45</a>	Hose Clamp #4
21	1	<a href="#">40014.00</a>	1/2m x 1/2 Barb Straight
22	1	<a href="#">00743.00</a>	1/2 Tee F x F x F Brass (Plated)
23	1	<a href="#">13642.00</a>	1/2" Male Plug Brass
24	1	<a href="#">4305.17</a>	Red Silicone Gasket (CMA-180)
25	1	<a href="#">13607.55</a>	CMA-180VL F.R. Thermometer Fitting
26	1	<a href="#">15606.00</a>	Conduit Heat Shield

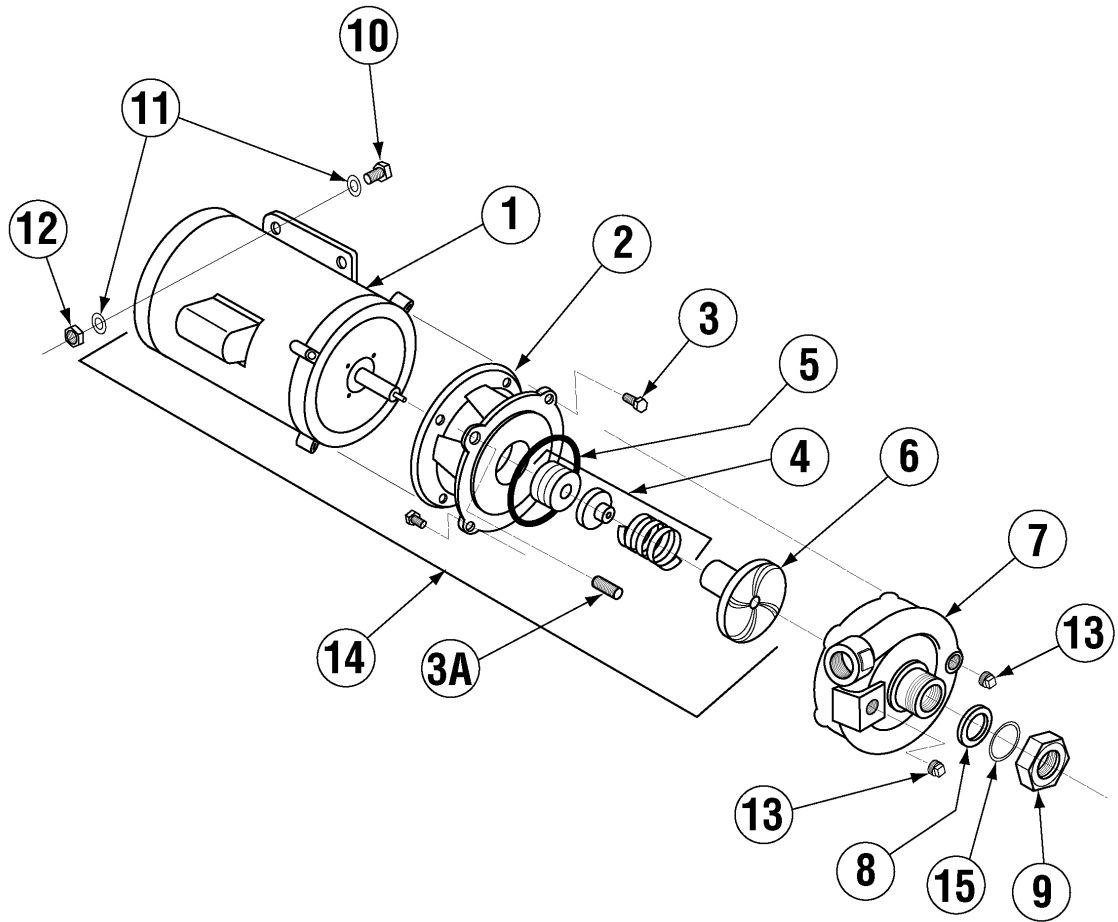
### 1.2.7. CMA-180 Door Handle Assembly



ITEM NO.	NO. REQ'D	P/N	DESCRIPTION
1	1	<a href="#">00613.32</a>	Door Handle
2	1	<a href="#">01556.50</a>	Right Door Handle Support
3	2	<a href="#">00603.07</a>	Door Spring Extension Rod
4	2	<a href="#">00602.00</a>	Door Spring
5	2	<a href="#">17552.00</a>	Door Stop
6	2	<a href="#">01553.00</a>	Door Handle Link
7	2	<a href="#">00606.50</a>	Turn Buckle
8	2	<a href="#">00926.00</a>	5/16" SS Washer
9	2	<a href="#">00900.00</a>	Cotter Pin
10	4	<a href="#">00906.00</a>	1/4"-20 x 1/2" Hex Head screw
11	8	<a href="#">00924.00</a>	1/4" SS Washer
12	8	<a href="#">00912.00</a>	1/4"-20" Nylon Insert Lock Nut

ITEM NO.	NO. REQ'D	P/N	DESCRIPTION
13	4	<a href="#">00610.00</a>	Door Handle Spacer (Small)
14	4	<a href="#">00611.00</a>	Door Handle Spacer (Large)
15	2	<a href="#">00607.04</a>	Door Handle Cap
16	1	<a href="#">01555.50</a>	Left Door Handle Support
17	2	<a href="#">00910.00</a>	1/4"-20x1/2" Hex Head Bolt
18	1	<a href="#">00563.40</a>	Door Switch Bracket (8-08)
19	1	<a href="#">00563.42</a>	Door Switch Actuator (8-08)
20	1	<a href="#">00562.00</a>	Door Roller Switch
21	1	<a href="#">00562.60</a>	Connector Door Roller Switch
22	1	<a href="#">00605.30</a>	Door Rod Spacer
23	1	<a href="#">00546.00</a>	18 AWG Switch Cord

## 1.2.8. Pump System Assembly

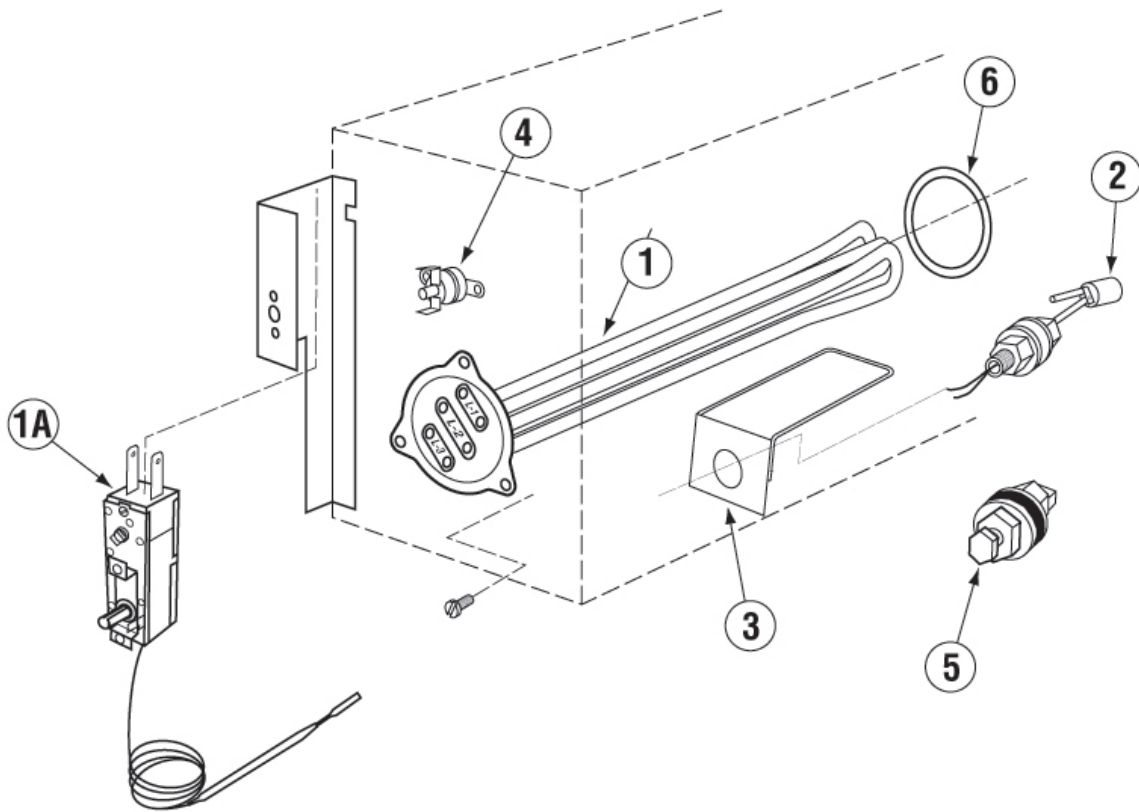


ITEM NO.	NO. REQ'D	P/N	DESCRIPTION
1	1	00201.00 00201.85	Pump Motor 1HP 1P 115/230V Pump Motor 1HP 3P 230/460V
2	1	04207.10	Small Pump Base
3	6	00921.00	3/8"-16 x 34" Hex Head Bolt
3A	2	00975.00	3/8-16 x 1 1/2" Stud
4	1	00206.30	Pump Seal Kit
5	1	03226.00	Pump "O" Ring
6	1	03222.10	Impeller SS
7	1	04207.20	Pump Cover

ITEM NO.	NO. REQ'D	P/N	DESCRIPTION
8	1	00208.40	Slip Joint Nut Gasket
9	1	04204.00	Compression Nut (2.5)
10	2	00906.00	1/4"-20 x 1/2" Hex Bolt
11	2	00924.00	1/4" SS Washer
12	2	00912.00	1/4"-20 Nylon Lock Nut
13	2	00238.00	3/8" Male Plug
*14	Assy.	00200.10	Pump Assy
15	1	00208.21	Slip Joint Nut Friction Ring

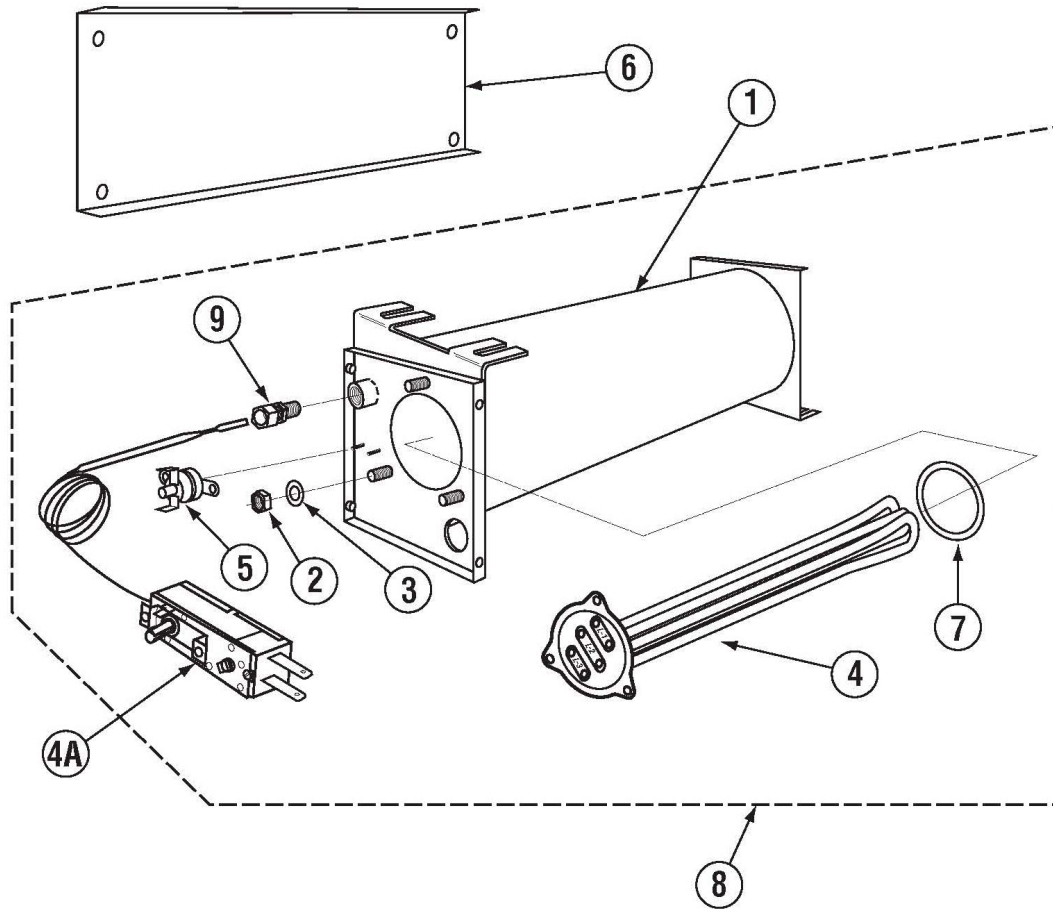
\*P/N 00200.85 Includes Items 1,2,3,4,5 and 6

### 1.2.9. Wash Tank Heater (Triangular Flange)



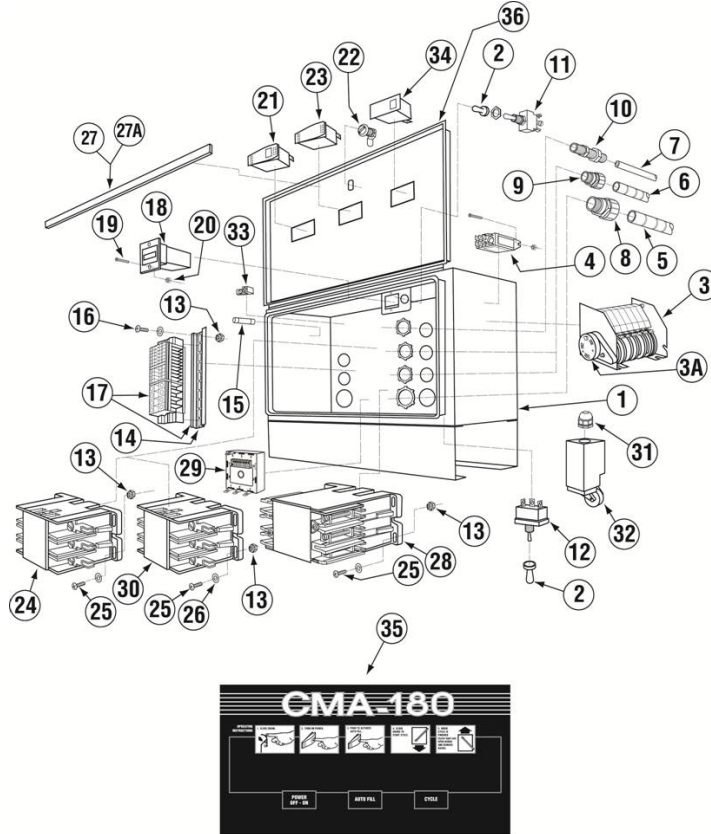
ITEM NO.	NO. REQ'D	P/N	DESCRIPTION
1	1	<a href="#">15518.00</a>	Heater 6kW 220V Triangular Flange
		<a href="#">13422.76</a>	Heater 6kW 480V Triangular Flange
1A	1	<a href="#">13417.92</a>	Heater Thermostat
2	1	<a href="#">13463.14</a>	Liquid Level Switch
3	1	<a href="#">13463.51</a>	Liquid Level Switch Shield
4	1	<a href="#">17523.51</a>	Hi-Limit Switch - Wash 250 Degrees
5	1	<a href="#">13477.20</a>	7/8" Probe Hole Plug
6	1	<a href="#">15518.11</a>	Gasket for Triangular Flange Heater

### 1.2.10. Booster Tank Heater (Triangular Flange)



ITEM NO.	NO. REQ'D	P/N	DESCRIPTION
1	1	<a href="#">17550.20</a>	Booster Tank
2	3	<a href="#">13805.00</a>	Nylon Lock Nut 5/6"-18
3	3	<a href="#">00926.00</a>	Washer SS 5/16"
4	1	<a href="#">13422.71</a> <a href="#">13422.75</a>	240V 12KW Triangular Immersion Htr 480V 12 kW Triangular Immersion Htr
4A	1	<a href="#">13417.92</a>	Thermostat 12KW Heater
5	1	<a href="#">17523.51</a>	Hi-Limit Switch-Booster 250 degrees
*6	1	<a href="#">17520.00</a>	Booster Heater Shield*
7	1	<a href="#">15518.11</a>	Gasket for Triangular Flange Heater
8	1	<a href="#">17560.00</a>	Complete Assembly
9	1	<a href="#">40116.00</a>	1/4 Comp x 1/4 MIP Fitting

## 1.2.11. Control Box Assembly



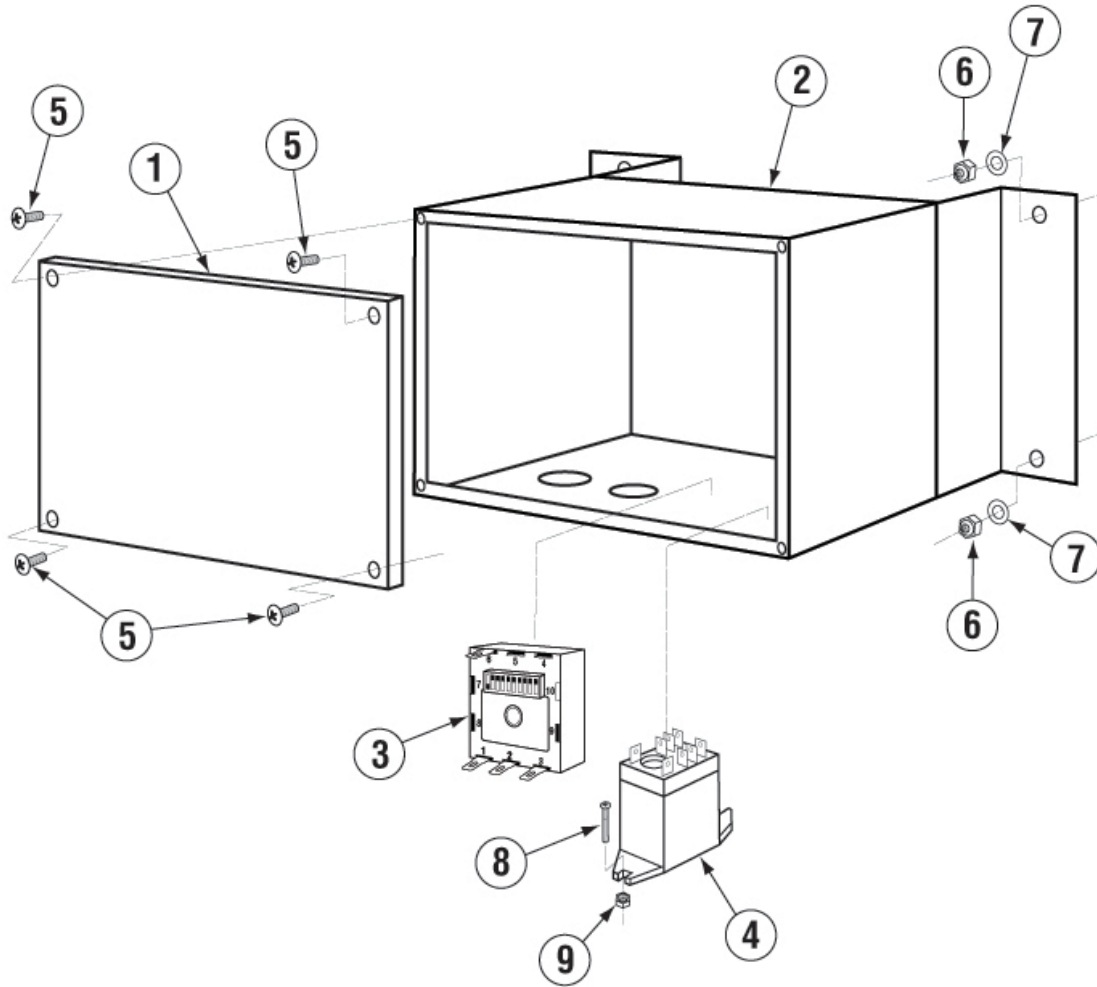
ITEM NO.	NO. REQ'D	P/N	DESCRIPTION
1	1	17503.39	CMA-180 Control Box Body
2	2	00470.10	Toggle Switch Rubber Boot
3	1*	00409.93	Timer CMA-180 7 Cam
3	1*	00409.95	Timer CMA-180 8 Cam w/ Sleep Timer
3A	1	00500.20	Timer Motor
4	1(2**)	00631.05	Ice Cube Relay 220V
5	6 Ft.	00400.85	Conduit 3/8" Sealtite
6	6 Ft.	00400.10	Conduit 1/2" Sealtite
7	2 Ft.	00400.00	Conduit 3/8" Sealtite
8	1	00401.85	St-3/4" Straight Connector
9	1	00401.10	St-1/2" Straight Connector
10	1	00401.00	St-3/8" Straight Connector
11	1	00475.70	Delimer Switch DPDT 15A
12	1	03470.00	Toggle Switch Momentary (Screw Terminal)
13	8	03801.00	Nylon Lock Nut 10-32
14	1	17400.06	Mounting Din Rail
15	1	13403.26	Fuse 3A/250V Slow Blow
16	2	00941.00	Pan Head Screw 10 -32 x 5/8"
17	1	17400.17	Terminal Block Assembly
17A	2	17400.04	30 Amp Terminal Block-Red
17B	3	17400.03	60 Amp Terminal Block-Black
17C	4	17400.02	85 Amp Terminal Block-Natural
17D	2	17400.08	30 Amp Terminal Block-Blue
17E	2	17400.09	30 Amp Terminal Block-Natural

\* Includes timer motor p/n 500.20 and microswitch 411.00

ITEM NO.	NO. REQ'D	P/N	DESCRIPTION
17F	1	17400.07	60 Amp Terminal Block-Green
18	1	03408.55	Counter Face Mount 220V
19	4	00911.00	Pan Head Screw 8-32 x 1/2"
20	4	00927.00	Lock Nut 8-32
21	1	00421.90	Power Switch
22	1	00449.50	Keyless Lock
23	1	00421.89	Rocker Switch Auto Fill
24	1	00404.85	Motor Contactor 208/240V 20A
		13003.55	Motor Contactor 30 Amp
25	6	13825.00	Pan Head Screw 8-31 x 1"
26	6	04806.00	#10 Brass Washer
27	2	17503.17	Control Box Sponge Long
27A	2	17503.18	Control Box Sponge Short
28	1**	13003.17	Contactor 60A 3 Pole 220V
29	1	13418.60	Dip Switch Timer 230V
30	1	13003.55	Heater Contactor 30 Amp
31	1	00562.60	Door Roller Switch Connector
32	1	00562.00	Door Roller Switch
33	1	13426.50	Ground Block
34	1	00421.78	Illuminated Plug
35	1	006231.19	Control Panel Label CMA-180
36	1	17503.29	Control Box Lid
---	1	13418.70	Sleep Timer (NOT SHOWN)

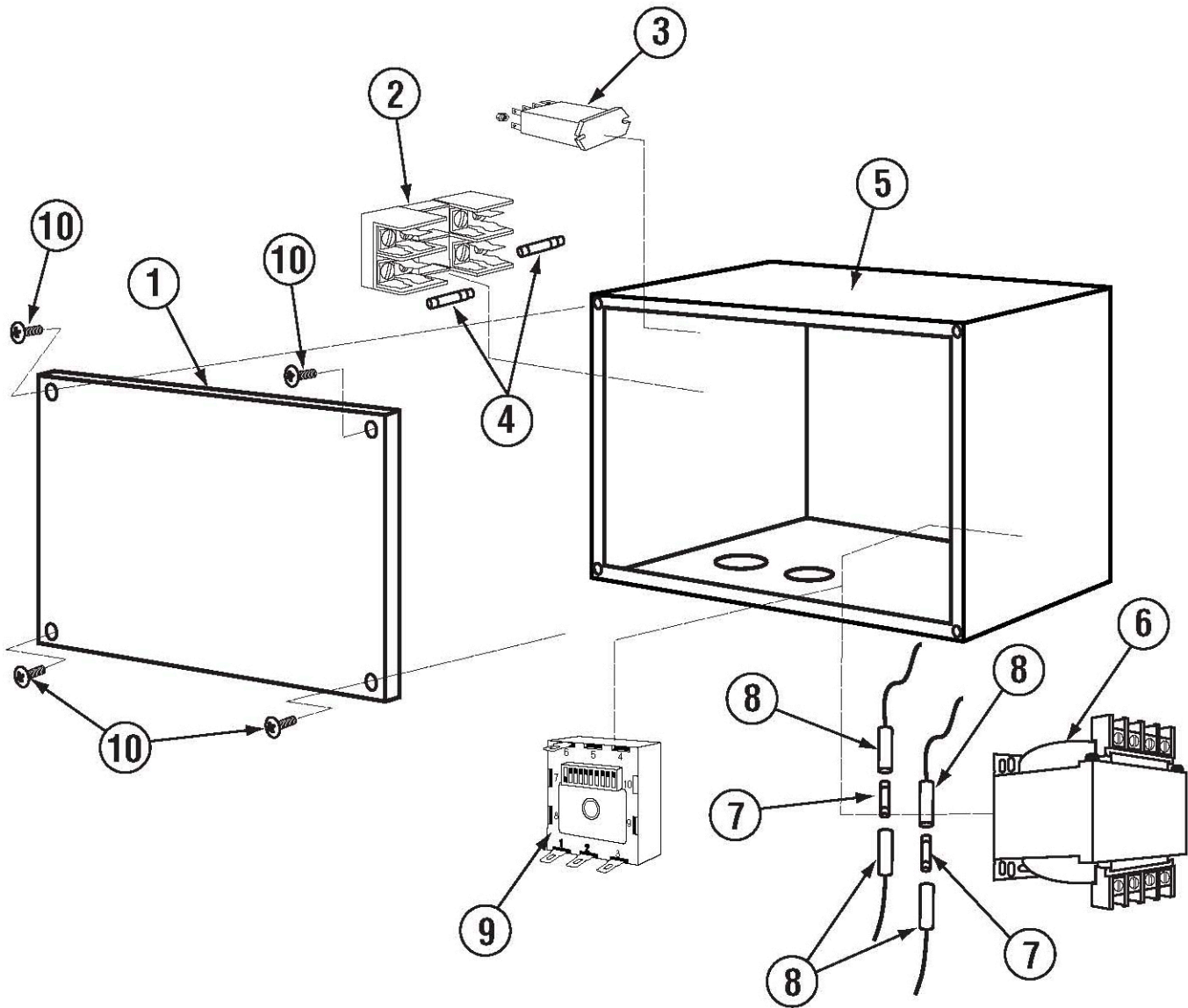
\*\* Only for the machines with booster heater

### 1.2.12. Heat Recovery System Control Box



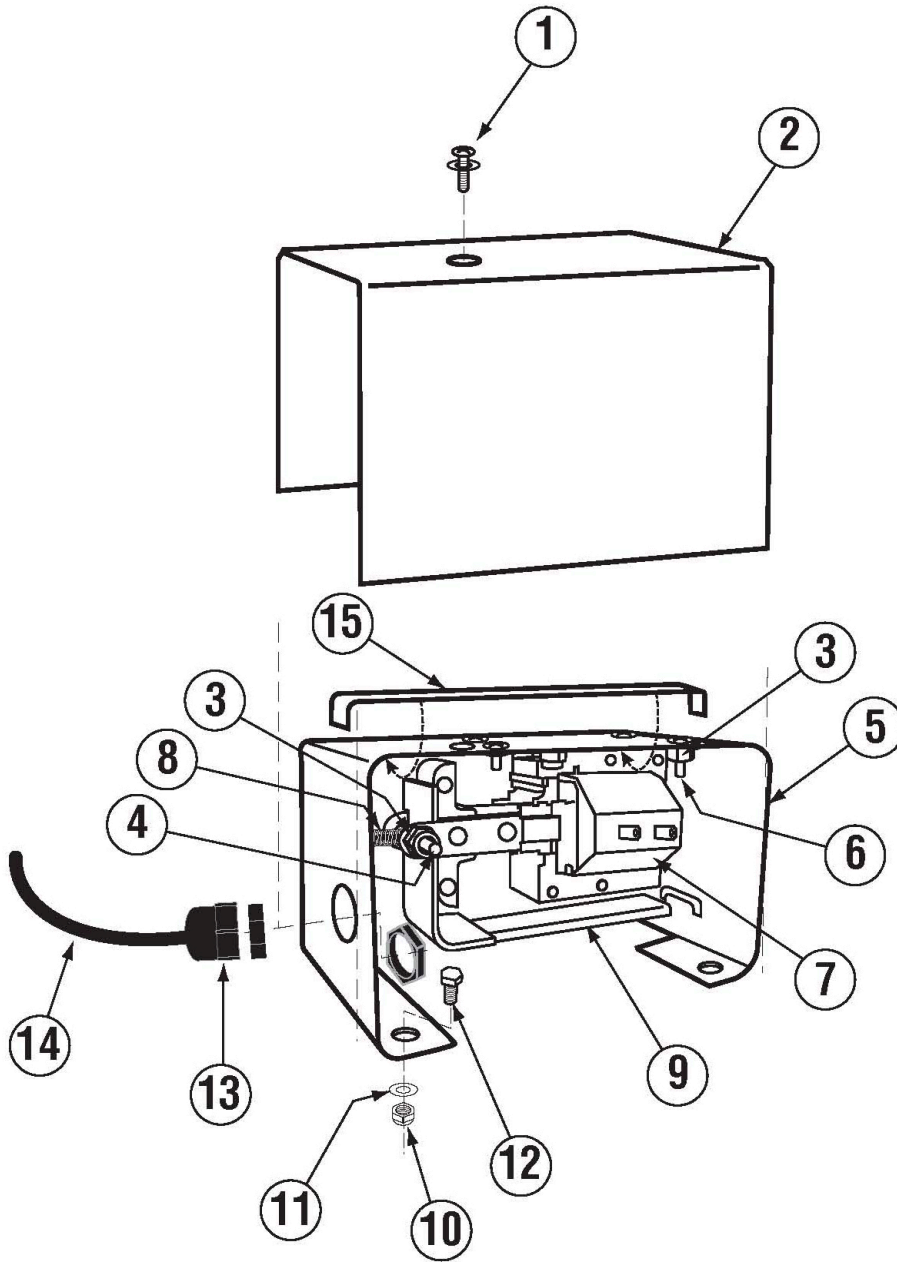
ITEM NO.	NO. REQ'D	P/N	DESCRIPTION
1	1	13905.23	Transformer Box Lid
2	1	13905.13	Transformer Box
3	1	<a href="#">13418.60</a>	Dip Switch Timer 230 V
4	1	<a href="#">00631.05</a>	Ice Cube Relay 220V 12 Amp
5	4	<a href="#">00940.50</a>	10-32 X 3/8 Truss Head Screw
6	4	0013805	5/16-18 Nylon Insert Lock Nut
7	4	<a href="#">00926.00</a>	5/16 SS Washer
8	2	<a href="#">00907.00</a>	6-32 X 1/2 SS Panhead Screw
9	2	<a href="#">00965.00</a>	6-32 Nylon Insert Lock Nut

### 1.2.13. Heat Recovery System Control Box 480V



ITEM NO.	NO. REQ'D	P/N	DESCRIPTION
1	1	13905.24	Transformer Box Lid 180VL, 480V
2	1	<a href="#">13420.10</a>	Fuse Clip 2-Poll, Pressure Plate
3	1	<a href="#">00631.05</a>	Ice Cube Relay 220V
4	2	<a href="#">13402.10</a>	Fuse 1.50 Amp, 480V Slow Blow
5	1	13905.14	Transformer Box 180VL, 480V
6	1	<a href="#">13423.82</a>	Transformer 480V-240V
7	2	<a href="#">13403.40</a>	Fuse 1.25 Amp, 230V Slow Blow
8	4	<a href="#">13403.21</a>	Fuse Holder - Inline
9	1	<a href="#">13418.60</a>	Dip Switch Timer 230 V
10	4	<a href="#">00940.50</a>	10-32 3/8 Truss Head Screw

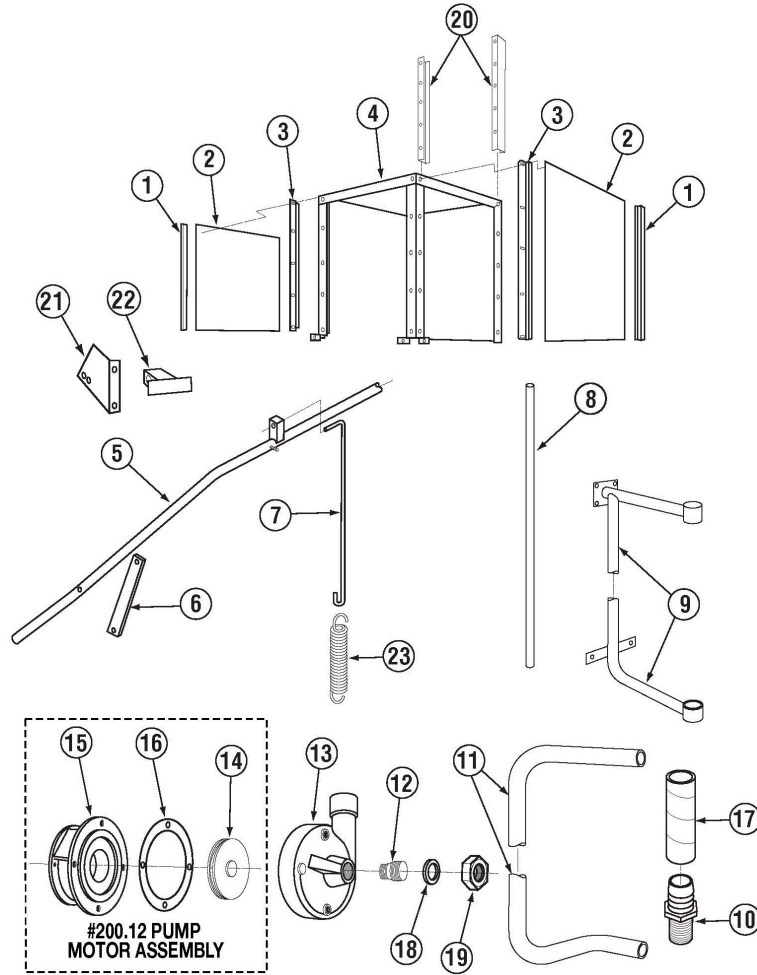
### 1.2.14. Door Safety Interlock (DSI) Assembly P/N [17712.84](#)



ITEM NO.	NO. REQ'D	P/N	DESCRIPTION
1	1	03801.40	10-32 x 1/2 Cone Screw
2	1	<a href="#">17712.30</a>	DSI Cover
3	5	<a href="#">00927.00</a>	8-32 Nylon Lock Nut
4	1	<a href="#">00902.00</a>	8-32 X 1 1/4 Panhead Bolt
5	1	17712.35	DSI Mount
6	4	<a href="#">00970.60</a>	8-32 x 1/2 Flat Screw
7	1	<a href="#">00100.05</a>	Drain Ball Solenoid 240V

ITEM NO.	NO. REQ'D	P/N	DESCRIPTION
8	1	<a href="#">17712.50</a>	Solenoid Spring
9	1	<a href="#">17711.11</a>	CMA-180VL Interlock Bar
10	4	<a href="#">00912.00</a>	1/4-20 Nylon Lock Nut
11	4	<a href="#">00924.00</a>	1/4-20 Nut w/ Grip Washer
12	4	<a href="#">00906.00</a>	1/4-20 X 1/2 Hexhead Bolt
13	1	<a href="#">00562.60</a>	Roller Door Switch
14	1	<a href="#">00547.00</a>	Switch Cord 18 AWG
15	1	<a href="#">01550.00</a>	Solenoid Stop

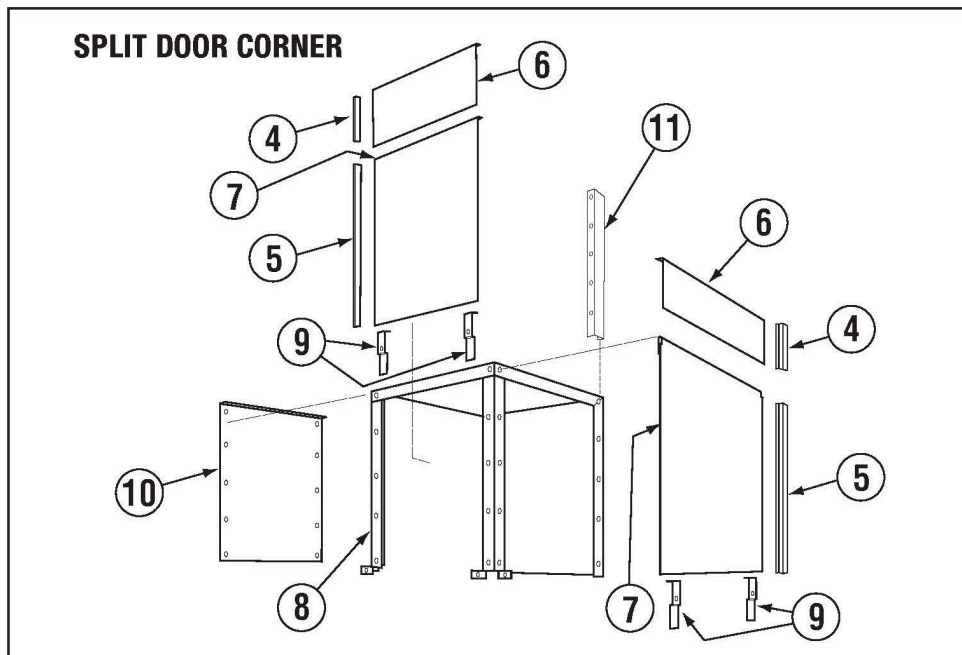
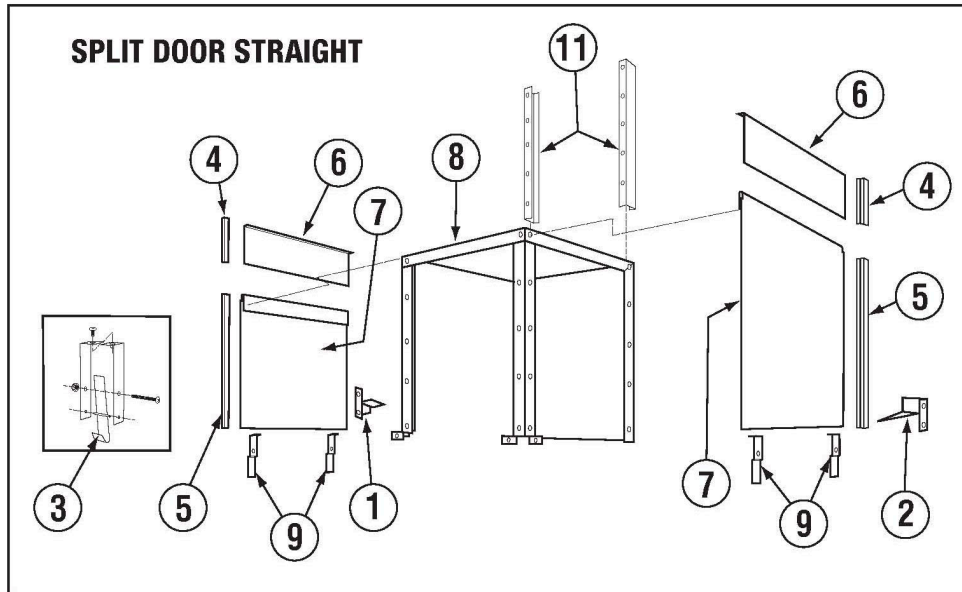
### 1.2.15. Unique Parts For CMA-180VL-T



ITEM NO.	NO. REQ'D	P/N	DESCRIPTION
1	6	<a href="#">00636.27</a>	Door Guide 36 1/4"
2	3	<a href="#">17506.20</a>	Scullery Door
3	6	<a href="#">17554.20</a>	Scullery Door Guide
4	1	17530.20	Scullery Wrapper
5	1	<a href="#">00613.27</a>	Door Handle S
6	2	<a href="#">01553.22</a>	Door Handle Link S
7	2	<a href="#">00603.53</a>	Door Spring Extension Rod
8	2	<a href="#">05007.27</a>	Booster Water Line
9	1	<a href="#">17401.20</a>	Final Rinse Manifold
10	1	<a href="#">50302.10</a>	1" MPT x 1" Barb Brass
11	1	00303.27	Manifold
12	1	<a href="#">00212.50</a>	1-1/2"x1-1/4" Adapter

ITEM NO.	NO. REQ'D	P/N	DESCRIPTION
13	1	<a href="#">00204.00</a>	Pump Cover Large
14	1	<a href="#">00203.05</a>	Impeller 4-1/2"
15	1	<a href="#">00202.00</a>	Pump Base
16	1	<a href="#">00205.00</a>	Pump Gasket
17	1	<a href="#">03108.60</a>	Transfer Hose 1" Reinf.
18	1	<a href="#">00208.40</a>	Slip Joint Nut O Ring
19	1	<a href="#">00207.00</a>	Slip Joint Nut 1 1/2 x 1/4
20	1	17570.00	Wrap Support Brkt-R
	1	17570.10	Wrap Support Brkt-L
21	1	<a href="#">00563.40</a>	Door Switch Bracket (8-08)
22	1	<a href="#">00563.43</a>	Door Switch Actuator CMA-180T (1-10)
23	2	<a href="#">00602.20</a>	Door Spring - Heavy Duty

### 1.2.16. Unique Parts for CMA-180VL-Tall Split Door

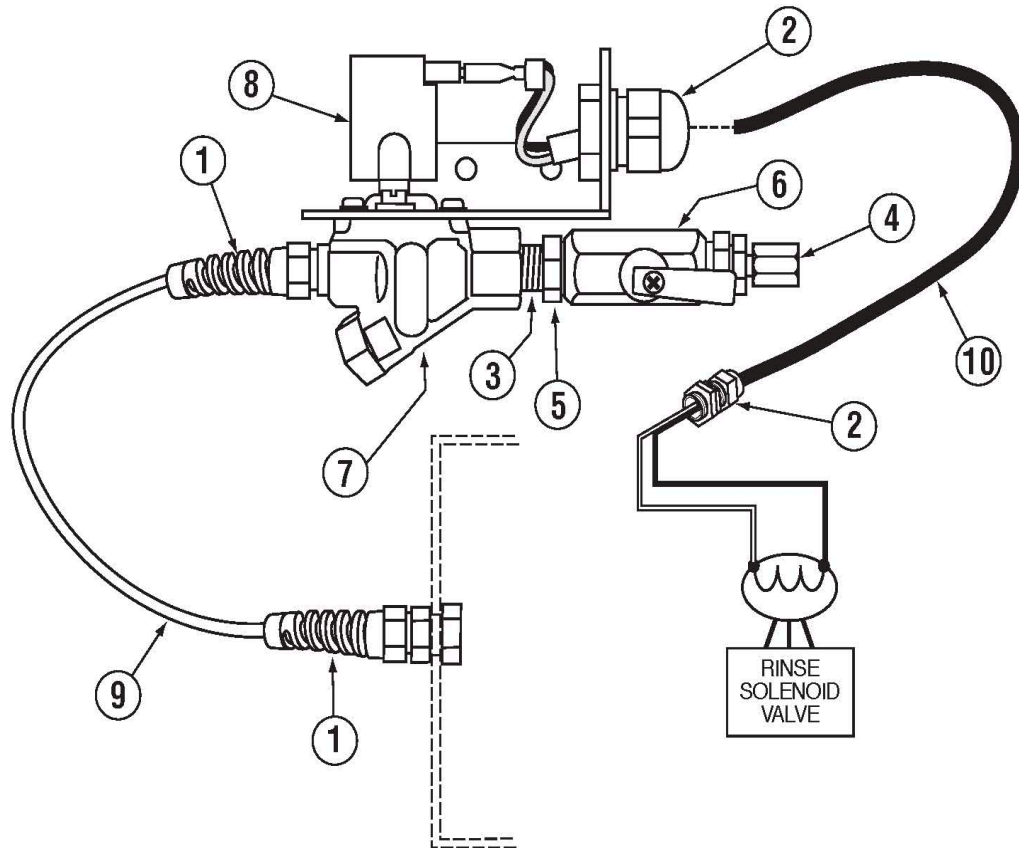


ITEM NO.	NO. STR/COR	P/N	DESCRIPTION
1	1/0	17506.23	Door Safety Brkt. Left
2	1/0	17506.24	Door Safety Brkt. Right
3	1/0	<a href="#">13701.22</a>	Open Door Latch
4	6/4	<a href="#">00636.43</a>	EZ Glide Door 8.5"
5	6/4	<a href="#">00636.42</a>	EZ Glide Door 29.75"
6	3/2	<a href="#">17506.42</a>	Small Door
7	1	17506.74	180VL-Tall Large Door Left
7	1	17506.75	180VL-Tall Large Door Front

ITEM NO.	NO. STR/COR	P/N	DESCRIPTION
7	1	17506.76	180VL-Tall Large Door Right
8	1/1	<a href="#">17530.22</a>	Wrapper
9	6/4	<a href="#">17552.22</a>	Door Stop
10	0/1	17530.23	Corner Panel Wrap
11	1/1	17570.00	Wrap Support Brkt-R
	1/0	<a href="#">17570.10</a>	Wrap Support Brkt-L

## 1.2.17. Water Tempering Kit (Optional)

### CMA-180VL WATER TEMPERING VALVE KIT P/N 13470.30



ITEM NO.	P/N	NO REQ'D	DESCRIPTION
1.	03415.50	2	FLEX TIGHT FITTING
2.	00562.60	2	CONNECTOR-#562 DOOR ROLLER SWITCH
3.	41011.00	2	NIPPLE BRASS 1/4" CLOSE
4.	40112.00	1	1/4" COMP X 1/4" MIP EII
5.	40015.00	2	3/8" MPI X 1/4" HEX FPT BUSHING
6.	41014.49	1	3/8" BALL VALVE
7.	41015.00	1	SOLENOID VALVE 1/4" W/COVER 115V
8.	41015.75	1	WATER SOLENOID VALVE COIL 220V DEMA
9.	00425.54	4	1/4" WATER LINE
10.	00547.00	4	ELECTRICAL CORD

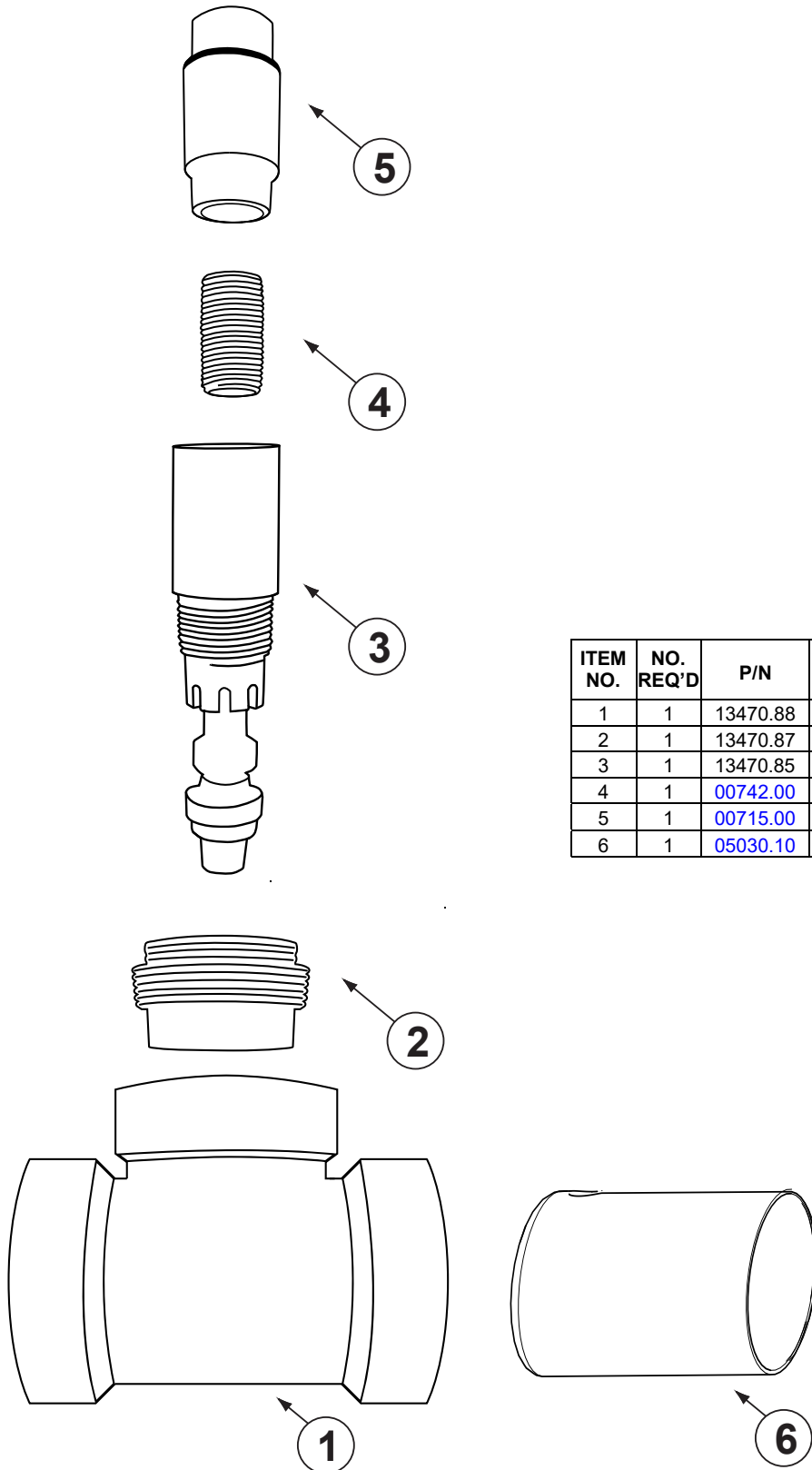
8-2019

# Parts Manual

## Drain Water Tempering Valve Assembly (Effective 03-2023)

PN13475.02 Factory Installed Kit

PN13476.02 Field Installed Kit



ITEM NO.	NO. REQ'D	P/N	DESCRIPTION
1	1	13470.88	2 ABS Tee S x S x MIP
2	1	13470.87	DTV Adapter 2" X 3/4"
3	1	13470.85	Drain Water Tempering Valve
4	1	<a href="#">00742.00</a>	Nipple Brass 1/2 x 1-1/2
5	1	<a href="#">00715.00</a>	1/2 Ball Check Valve
6	1	<a href="#">05030.10</a>	2 x 3 ABS Tubing