



**MODEL
EST-VL
PARTS MANUAL
Rev 1.03**



**CMA DISHMACHINES
12700 KNOTT STREET
GARDEN GROVE, CALIFORNIA 92841**

800-854-6417

FAX 714-895-2141

www.cmadishmachines.com

[Buy Parts](#)

TABLE OF CONTENTS

MODEL EST

1. PARTS MANUAL	3
1.1. INITIAL PARTS KIT	3
1.2. OPTIONAL SANI ALARM	4
1.3. EXPLODED VIEW DRAWINGS.....	5
1.3.1. Cabinet Assembly	5
1.3.2. Heat Recovery System.....	6
1.3.3. Control Box Assembly.....	7
1.3.4. Heat Recovery System Control Box.....	8
1.3.1. Door Actuator Assembly.....	9
1.3.2. Pump Assembly.....	10
1.3.3. Plumbing System Assembly (Fill)	11
1.3.1. Plumbing System Assembly (Booster Heater and Condenser)	12
1.3.2. Spray System Assembly.....	13
1.3.3. Power Drain Assembly	14
1.3.4. Power Drain Retrofit Kit p/n 00104.95	15
1.3.5. Peristaltic Pump Assembly	16
1.3.6. Booster Tank Heater.....	17
1.3.7. Door Safety Interlock (DSI) Assembly P/N 17712.85.....	18

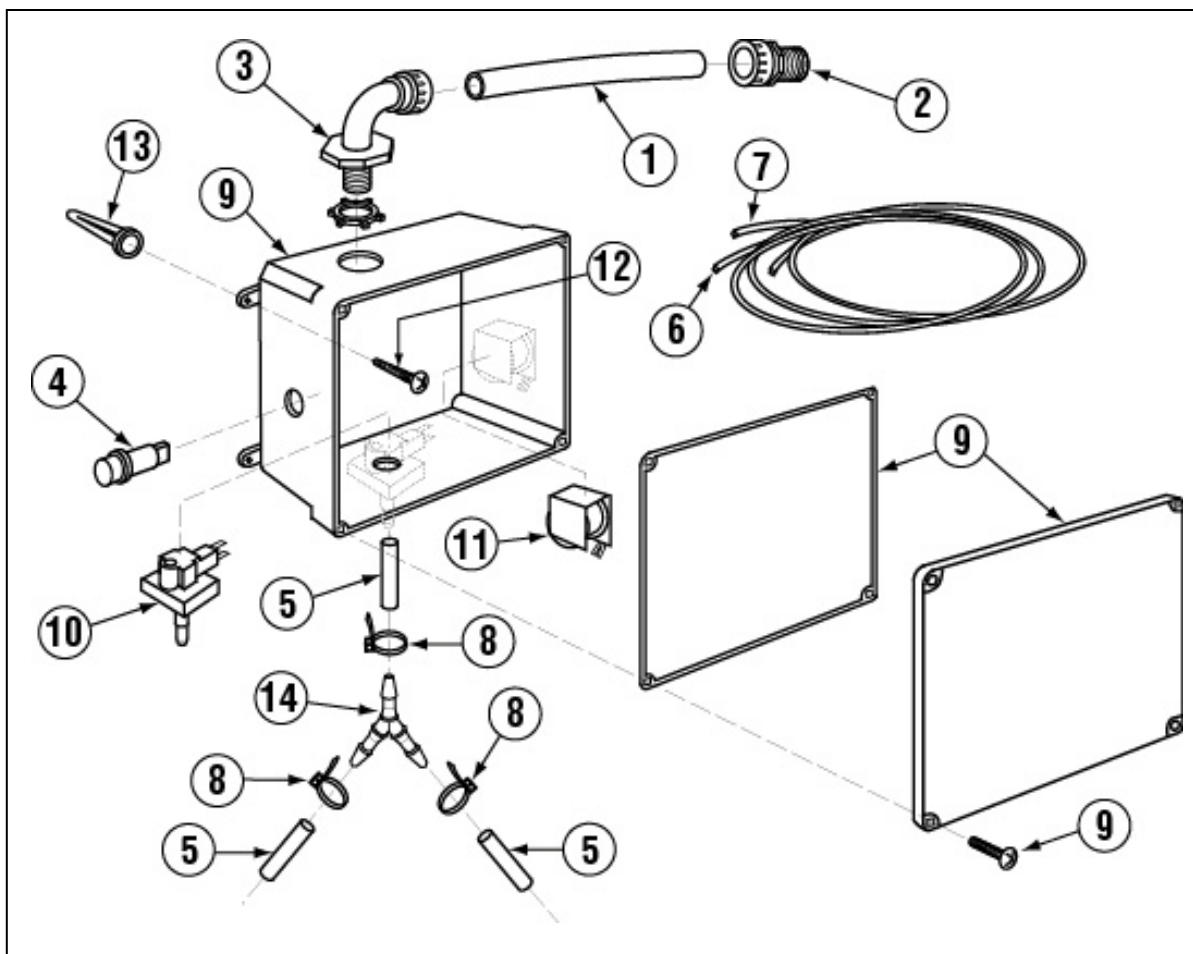
1. Parts Manual

1.1. Initial Parts Kit

P/N	DESCRIPTION	Qty
00104.50	Drain Motor, 120V 60Hz	1
00108.83	Drain Actuator Arm (V)	1
00109.60	Drain Actuator Shaft (V)	1
00115.87	Drain Screen	1
00120.02	Thermometer	1
00121.60	Drain Diaphragm	1
00200.10	Pump Assembly, 110/220V 60Hz	1
00206.30	Pump Seal Kit	1
00304.06	Spray Arm	1
00308.50	Spray Arm End Plug, SS	1
00341.00	Spray Arm Bearing	1
00408.79	Timer Assy 120V EST Ventless	1
00411.00	Microswitch	1
00416.00	Peristaltic Pump Assembly, 120V/60Hz	1
00421.40	Start/Fill Switch (With light)	1
00425.51	Chemical Tubing Blue	1
00425.53	Chemical Tubing Red	1
00425.54	Chemical Tubing White	1
00433.10	Master Switch (20Amp)	1
00475.70	Delimer Switch (DPDT 15Amp)	1
00562.00	Door Limit Switch, Roller Action	1
00602.00	Door Spring	1
00631.00	Ice Cube Relay, 120V	1
00707.00	1/2" Water Solenoid Repair Kit, JE	1
00738.10	Solenoid Coil, JE, 120V (3/4" & 1/2")	1
00938.82	1/2" Drain Bushing, Brass (V)	1
00966.10	10-32X1/4 Hexhead SS Bolt	1
02257.00	Squeeze Tube Norprene	1
03415.45	Flex-Tight Fitting	1
03470.00	Toggle Switch, Momentary, Screw Terminals	1
03623.00	1/2" Vacuum Breaker Repair Kit, Watts	1
04103.14	Drain Valve Spring	1
15524.00	Power Rocker Switch Red	1

1.2. *Optional Sani Alarm*

Part Number **12508.00**



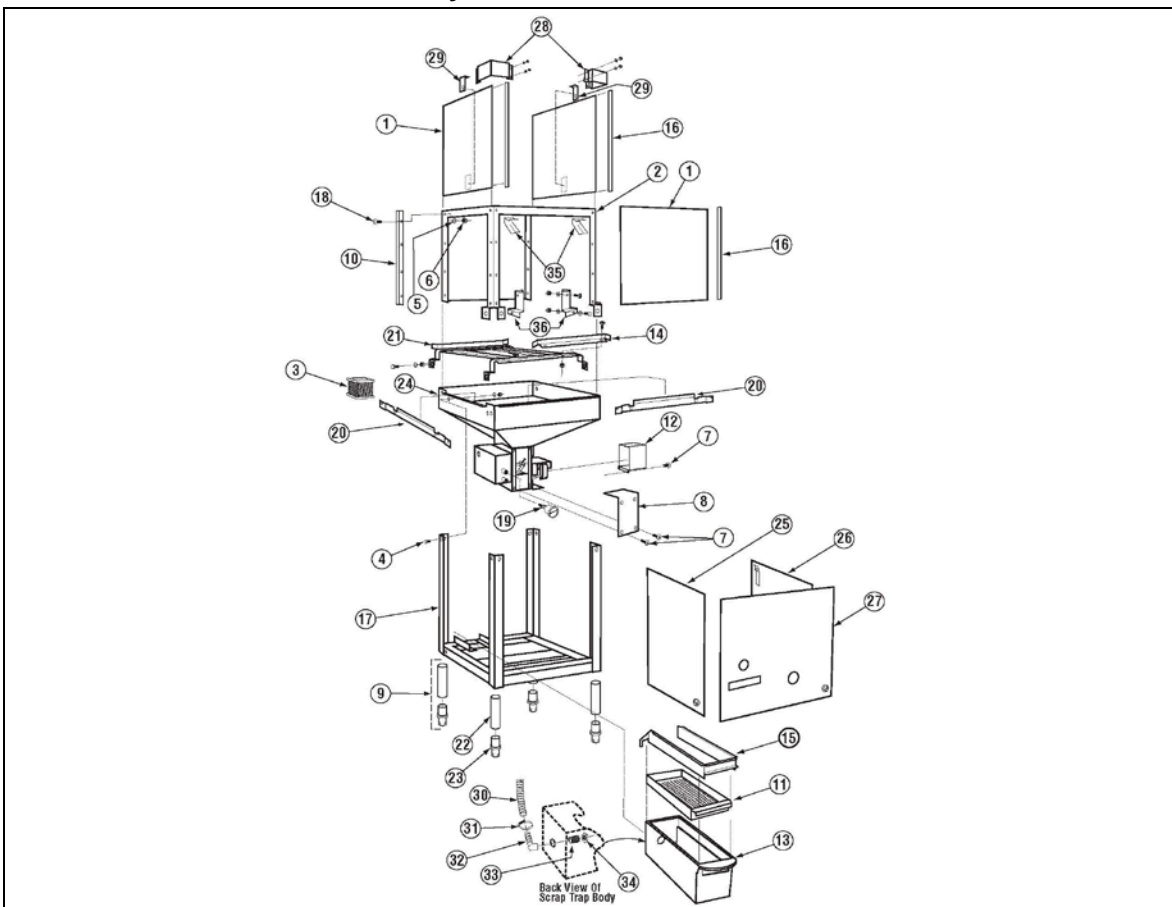
Exploded View

ITEM NO.	NO. REQ'D	P/N	DESCRIPTION
1	3	00400.00	Conduit, 3/8" Sealtite
2	1	00401.00	S.T. 3/8" Straight Connector
3	1	00402.00	S.T. 90 Degree 3/8" Connector
4	1	00406.00	Control Box Light, .5" Diameter, Red
5	1	00435.00	Squeeze Tube, 8"
6	1	00521.00	Wire, 18 Gauge, Orange, 6 ft.
7	1	00531.00	Wire, 18 Gauge, White, 6 ft.

ITEM NO.	NO. REQ'D	P/N	DESCRIPTION
8	5	00931.00	Wire Tie, Small
9	1	12510.00	Sanitizer Alarm Box Assembly
10	1	12511.50	Sanitizer Low Level Vacuum Switch
11	1	12512.00	Sanitizer Alarm Buzzer, 120 Volts
12	4	40126.10	#10 x 3/4" Sheet metal Screw
13	4	40127.00	Wall Anchors
14	1	00426.00	Y Hose Connector, 3/16"

1.3. Exploded View Drawings

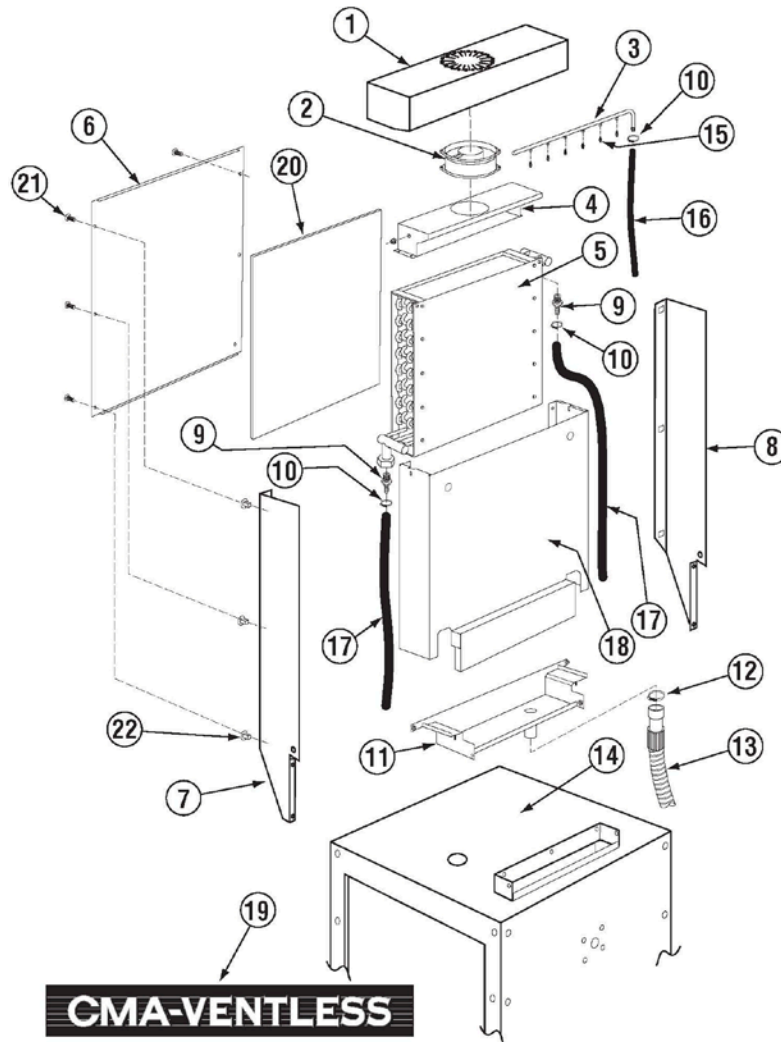
1.3.1. Cabinet Assembly



ITEM NO.	NO. REQ'D	P/N	DESCRIPTION
1	1	17506.38	RIGHT Door EXT, Dimple, Stamped
1	1	17506.37	LEFT Door EXT, Dimple, Stamped
1	1	17506.36	CENTER Door EXT Dimple Stamped
2	1	01510.60	EST Ventless Wrapper Tall
3	1	00115.87	Drain Screen
4	18	00906.00	1/4-20 x 1/2" Hex head Bolt
5	60	00924.00	1/4" SS Washer
6	40	00912.00	1/4-20 Nylon Lock Nut
7	6	00940.50	10-32 x 3/8" Truss Head Screw
8	1	00120.40	EVA Power Drain Cover
9	4	01145.00	Leg Ass'y 10" wAdjustable Socket
10	6	01554.30	Door Guide SS 21 1/8"
11	1	01577.21	S/S Scrap Trap Drawer
12	1	01573.30	Sani Mount/Drain Lid
13	1	01577.10	Scrap Trap Body
14	1	01505.16	Corner Tray Track Rail
15	1	01579.50	EVA Splash Card
16	6	00636.10	EZ Glide Door Guide Sq 21-7/8"
17	1	01502.96	EST Ventless Stand
18	16	00905.00	1/4-20 x 1/2" Truss Head Bolt

ITEM NO.	NO. REQ'D	P/N	DESCRIPTION
19	1	00120.04	EST Ventless Thermometer (Bi Metal)
20	2	17608.00	EST Ventless Splash Guard
21	1	01505.10	Tray Track (EST/EC/180)
22	4	01572.10	SS Leg
23	4	01310.00	Bullet Foot
24	1	1502.90	EST Pan
25	1	17601.00	EST Ventless Left Skirt
26	1	17602.00	EST Ventless Right Skirt
27	1	17603.00	EST Ventless Front Skirt
28	2	01516.50	3-Door Bracket outside Style
29	2	17552.00	Door Stop
30	1	15605.00	Drain Hose
31	1	03101.00	Hose Clamp #16 1"
32	1	13472.50	Elbow PVC 90deg F (.250) x Barb
33	1	03614.00	Nipple Brass 1/2 x Close
34	1	00721.00	1/2 Jamb Nut Thin Pattern
35	1	03415.72	Detergent /Rinse Fitting Bracket
36	2	01510.61	EST Ventless Reinforcement Bracket

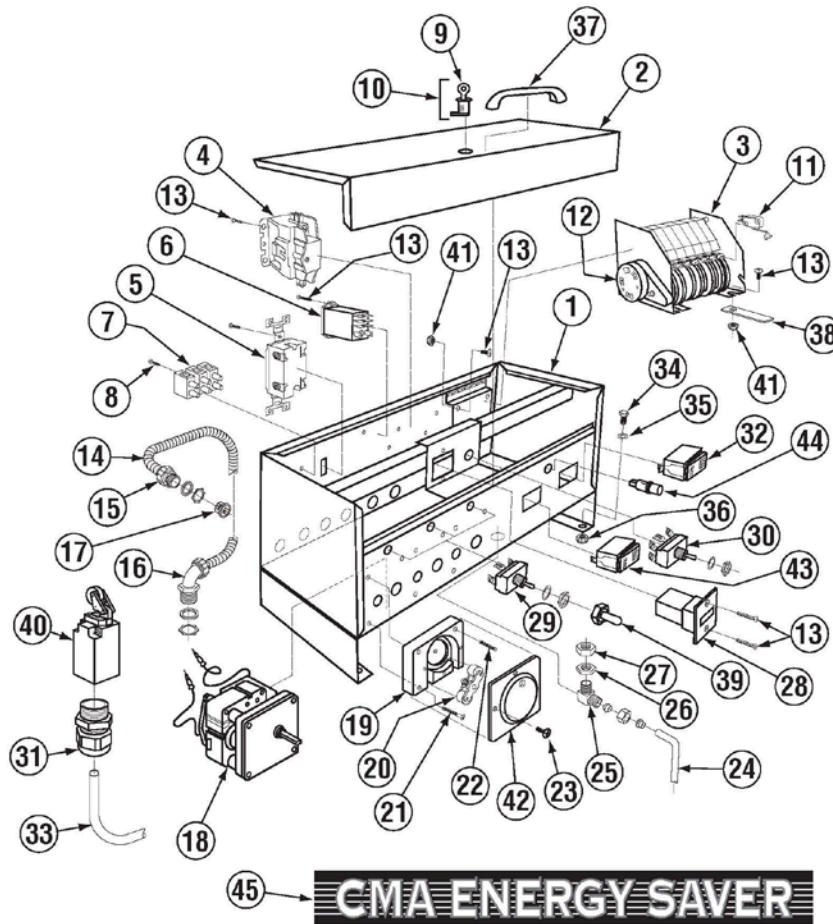
1.3.2. Heat Recovery System



ITEM NO.	NO. REQ'D	P/N	DESCRIPTION
1	1	17595.00	CMA-180 Ventless Top Cover
2	1	02401.00	Motor Fan 115V, 50/60Hz
3	1	02401.17	Battery Self Cleaning Pipe
4	1	17593.00	CMA-180 Ventless Fan Mount
5	1	02401.05	Heat Recovery Battery
6	1	17596.00	CMA-180 Ventless Rear Cover
7	1	17598.00	CMA-180 Ventless Support L.H.
8	1	17597.00	CMA-180 Ventless Support R.H.
9	2	40014.00	1/2m x 1/2 Barb Straight
10	3	03101.45	Hose Clamp #4
11	1	17592.00	CMA-180 Ventless Drain Pan

ITEM NO.	NO. REQ'D	P/N	DESCRIPTION
12	1	03101.00	Hose Clamp #16 1"
13	1	15605.00	Drain Hose with Goose Neck (9-06)
14	1	01510.60	EST Ventless Wrapper Tall
15	7	02101.01	UC 50e Stainless Steel Rinse Nozzle
16	1	03107.51	Flexible Black Hose 3/8"
17	2	03107.50	Flexible Black Hose 1/2"
18	1	17594.00	CMA-180 Ventless Shroud
19	1	06231.15	CMA Ventless Label 23.25 x 3.25
20	1	17599.15	Heat Recovery Battery Insulation
21	6	00982.00	Phil Truss Screws
22	6	00981.00	Nylon Pop-in Nut

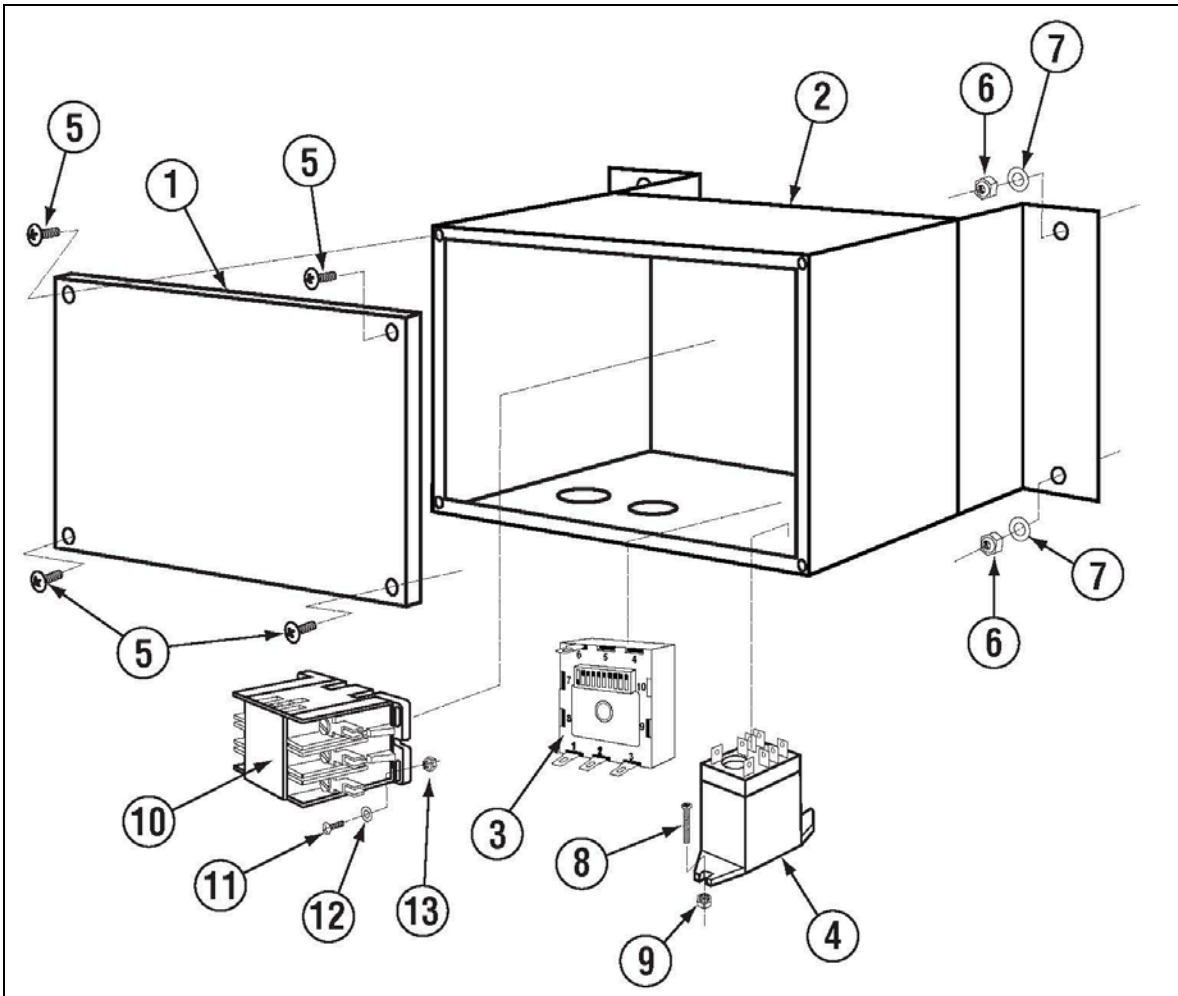
1.3.3. Control Box Assembly



ITEM NO.	NO. REQ'D	P/N	DESCRIPTION
1	1	01503.14	Control Box Body AH-B-C
2	1	01504.14	Control Box Lid AH-B-C
3	1	00408.79	Timer Assy 120V EST Ventless
4	1(2)	00404.82	Motor Contactor 120V AH/C (B)
5	1	00433.10	Master Switch (20Amp)
6	1	00631.00	Ice Cube relay 120V
7	1	00454.10	3 Pole Socket Terminal Block
8	1	13825.00	8-32 X 1" Pan Head Screw
9	1	00450.00	Key Only
10	1	00449.00	Lock and Key
11	8	00411.00	Microswitch
12	1	00501.00	Timer Motor 2 Min
13	4	00911.50	8-32 X 3/8" Pan Head Screw
14	AR	00400.00	Conduit 3/8" Sealtite
15	2	00401.00	St. Straight 3/8" Connector
16	4	00402.00	St. 90Deg 3/8" Connector
17	4	00438.00	Snap Bushing 875-11
18	3	00416.00	Peristaltic Pump Motor 120V
19	3	00417.10	Peristaltic Pump Block
20	3	00419.00	Peristaltic Pump Rotor
21	6	00919.00	8-32 X 1 1/2" Panhead Bolt
22	3	00918.00	8-32 X 1 1/2" Fillister Bolt

ITEM NO.	NO. REQ'D	P/N	DESCRIPTION
23	12	00911.00	8-32 X 1/2" Panhead screw
24	1	00464.07	3/8" SS Tubing (For Solenoid Wire
25	1	00436.00	3/8" 90Deg Elbow Comp X Mip
26	1	00712.00	3/8" jamb Nut (Plated)
27	1	00712.30	3/8" jamb Nut (standard)
28	1	03408.50	Counter (Panel Mount) 120V
29	3	03470.00	Prime Switch (Momentary)
30	1	00475.70	Delimer Switch (DPDT 15Amp)
31	1	00562.60	Roller Switch Connector
32	1	00421.40	Start/Fill Switch (With light)
33	3FT	00547.00	Switch Cord
34	4	00914.00	1/4" -20 X 3/4" Hex Head Bolt
35	4	00922.00	1/4" Lock Star Washer
36	4	00912.00	1/4"-20 Nylon Lock Nut
37	1	00535.00	Control Box Lid Handle
38	1	01514.00	Timer Support Bar
39	4	00470.10	Toggle Switch Rubber Boot
40	1	00562.00	Roller Switch
41	1	00927.00	8-32 Nylon Lock Nut
42	3	00418.00	Peristaltic Pump Cover
43	1	15524.00	Power Rocker Switch Red
44	1	00406.00	Control Box Light, 120V, 60Hz
45	1	06232.25	CMA Energy Saver Label

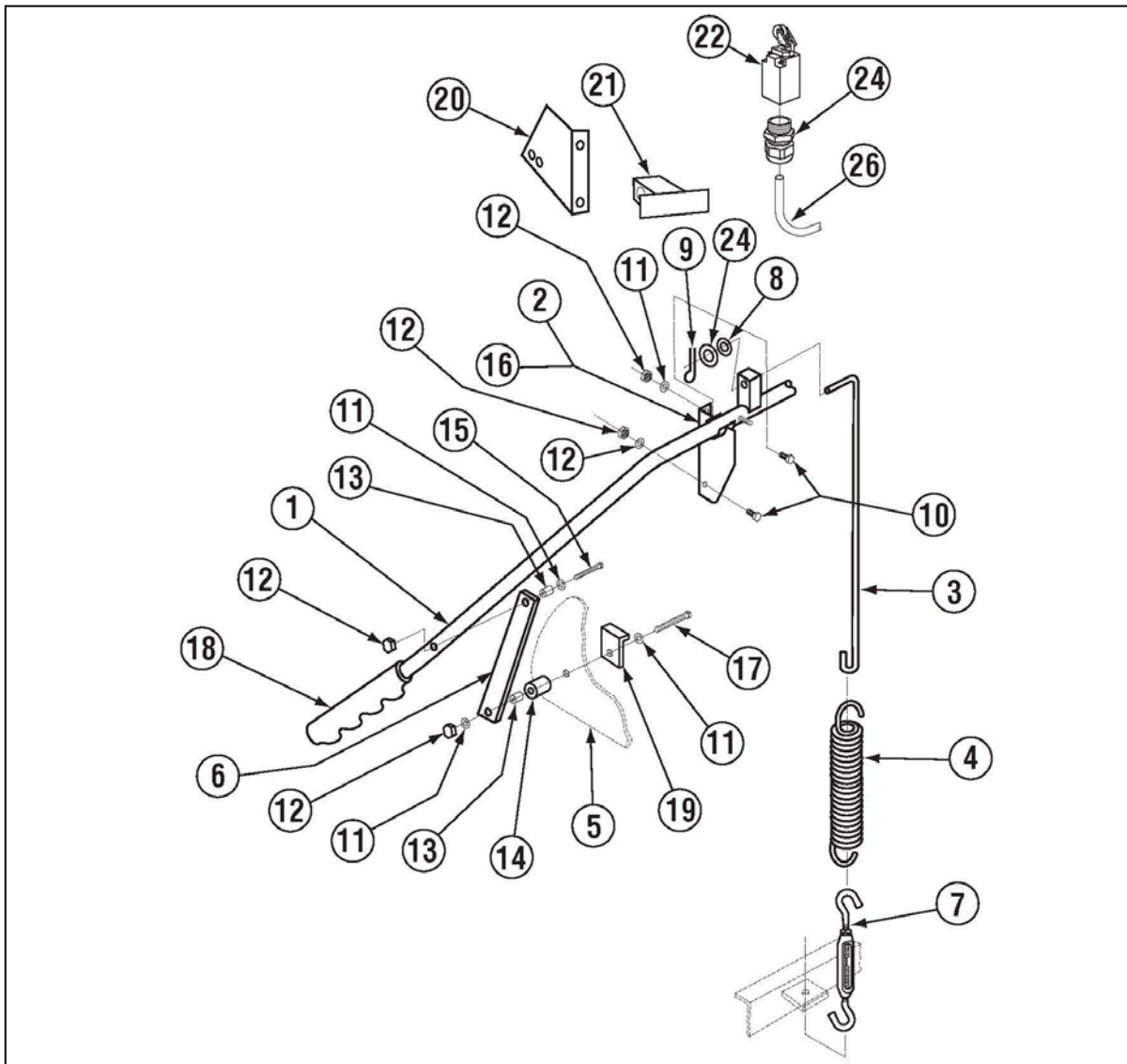
1.3.4. Heat Recovery System Control Box



ITEM NO.	NO. REQ'D	P/N	DESCRIPTION
1	1	13905.23	Transformer Box Lid
2	1	13905.13	Transformer Box
3	1	00630.50	Timer Relay - Solid Bowl 115V
4	1	00631.00	Ice Cube Relay 115V
5	4	00940.50	10-32 X 3/8 Truss Head Screw
6	4	0013805	5/16-18 Nylon Insert Lock Nut
7	4	00926.00	5/16 SS Washer
8	2	00907.00	6-32 X 1/2 SS Panhead Screw
9	2	00965.00	6-32 Nylon Insert Lock Nut
10	1	0000404.72	Contactator 115V,30A EST Ventless
	1	0013003.19	Contactator 115V,60A EST Ventless*

* Single phase heating circuit.

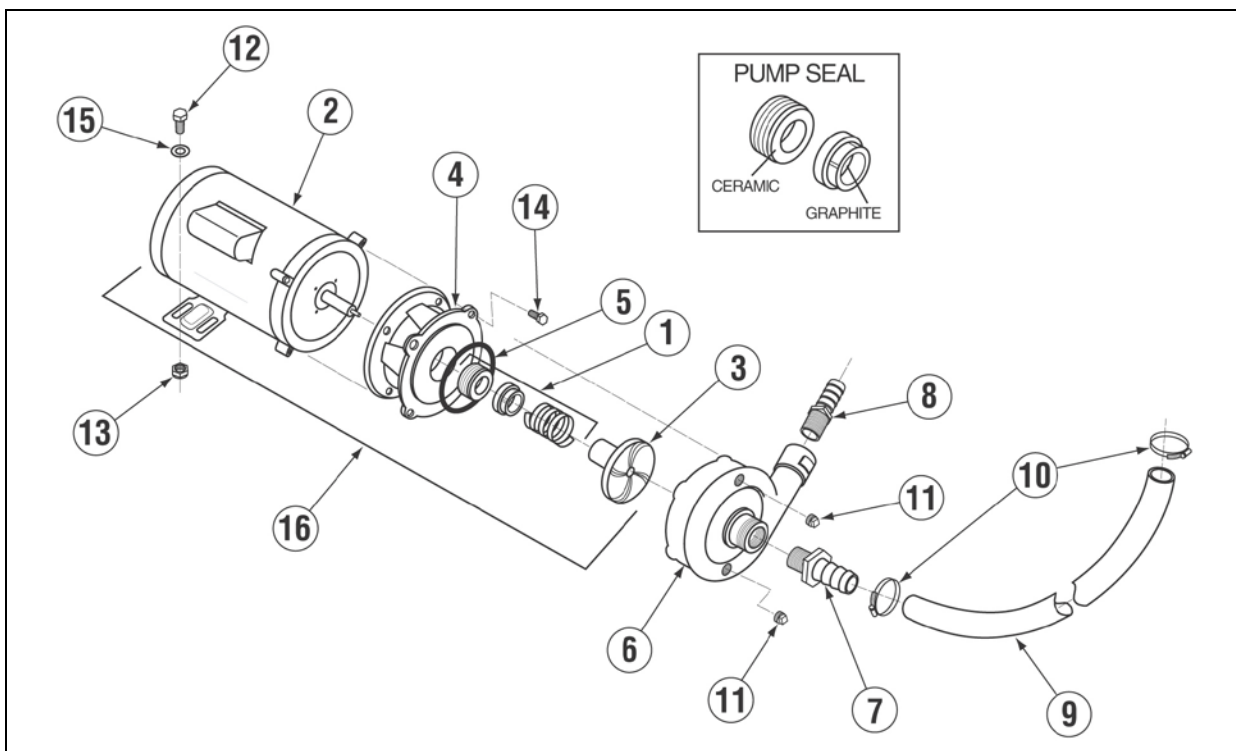
1.3.1. Door Actuator Assembly



ITEM NO.	NO. REQ'D	P/N	DESCRIPTION
1	1	00613.32	Door Handle, 1" (Model AH)
		01556.50	Door Handle Support, 1" (Right)
2	1	01556.50	Door Handle Support, 1" (Right)
3	2	00603.07	Door Spring Extension Rod
4	2	00602.00	Door Spring (# 602.20 B & S models)
5	2	01506.30	Door (Cut Away)
6	2	01553.00	Door Handle Link
7	2	00606.50	Turn Buckle
8	2	00926.00	5/16" SS Washer
9	2	00900.00	Cotter Pin
10	4	00906.00	1/4-20 x 1/2" Hex Head Screw
11	6	00924.00	1/4" SS Washer
12	8	00912.00	1/4-20 Nylon Locknut

ITEM NO.	NO. REQ'D	P/N	DESCRIPTION
13	4	00610.00	Door Handle Spacer, Small
14	4	00611.00	Door Handle Spacer, Large
15	2	00910.00	1/4-20 x 1-1/2" Hex Bolt
16	1	01555.50	Door Handle Support, 1" (Left)
17	2	00903.00	1/4-20 x 1-3/4" Hex Head Bolt
18	2	00607.04	Door Handle Cap, 1"
19	2	01552.00	Door Stop
20	1	00563.40	Door Switch Bracket (8-08)
21	1	00563.42	Door Switch Actuator (8-08)
22	1	00562.00	Roller Door Switch
23	1	00562.60	Connector Door Roller Switch
24	1	00605.30	Door Rod Spacer
25	1	00546.00	18 WG Switch Cord

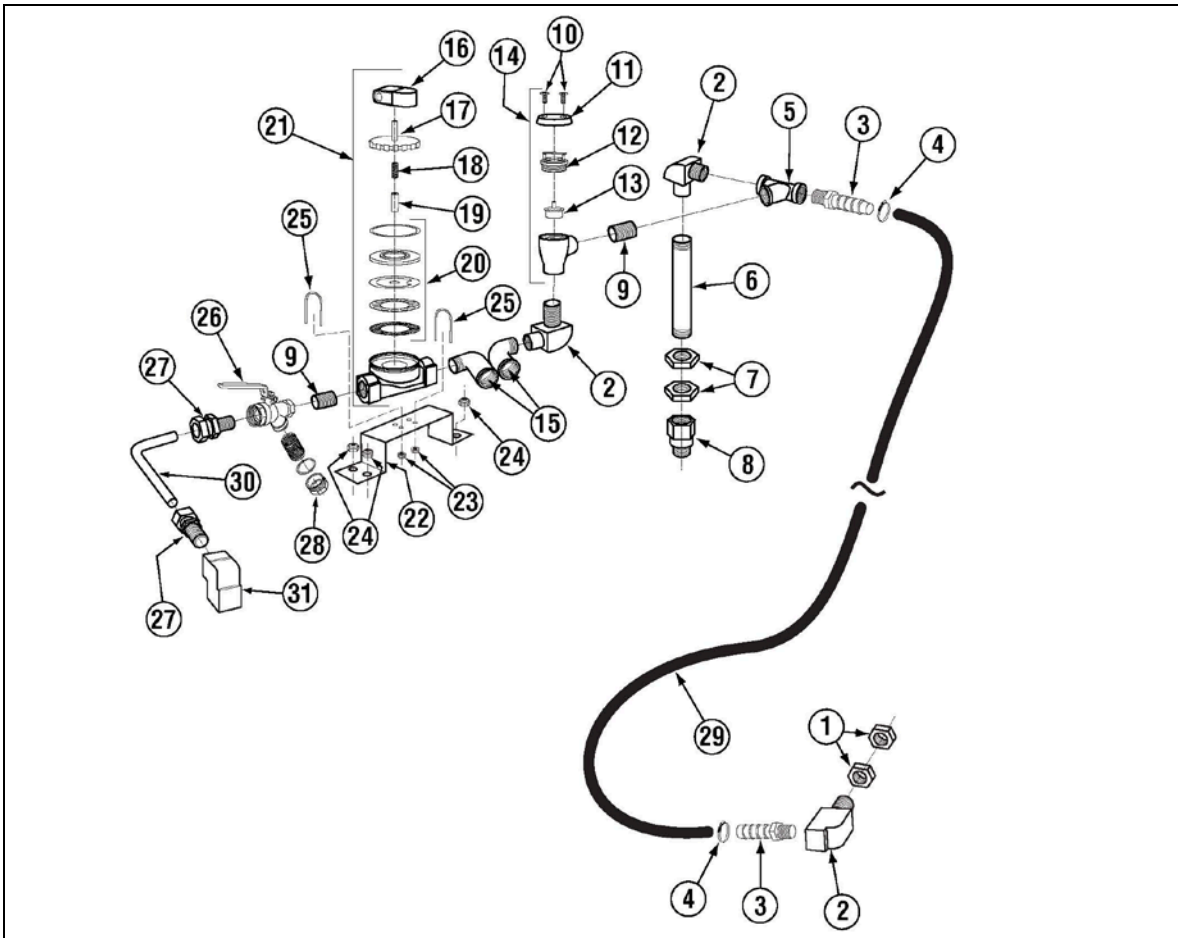
1.3.2. Pump Assembly



ITEM NO.	NO. REQ'D	P/N	DESCRIPTION
1	1	00206.30	Pump Seal Kit
2	1	00201.00	Pump Motor 1Hp 115/208-230V
3	1	03222.10	Impeller (Universal) Open
4	1	04207.10	Pump Base
5	1	03226.00	Pump O Ring Gasket
6	1	04207.20	Pump Cover
7	1	50302.40	1 1/4 MIP X 1" Barb Fitting
8	1	50302.06	1" MPT X 1" Barb PVC Sch 80

ITEM NO.	NO. REQ'D	P/N	DESCRIPTION
9	1	03108.61	Transfer Hose 1"
10	2	03101.00	Hose Clamp # 16 1"
11	2	00238.00	3/8 Male Plug
12	1	00906.00	1/4-20 X 1/2 Hexhead Bolt
13	1	00912.00	1/4-20 Nylon Lock Nut
14	4	00921.00	3/8-16 X 3/4 SS Hexhead Bolt
15	1	00924.00	1/4 SS Washer
16	1	00200.10	Pump Assy 110/220V 60Hz open

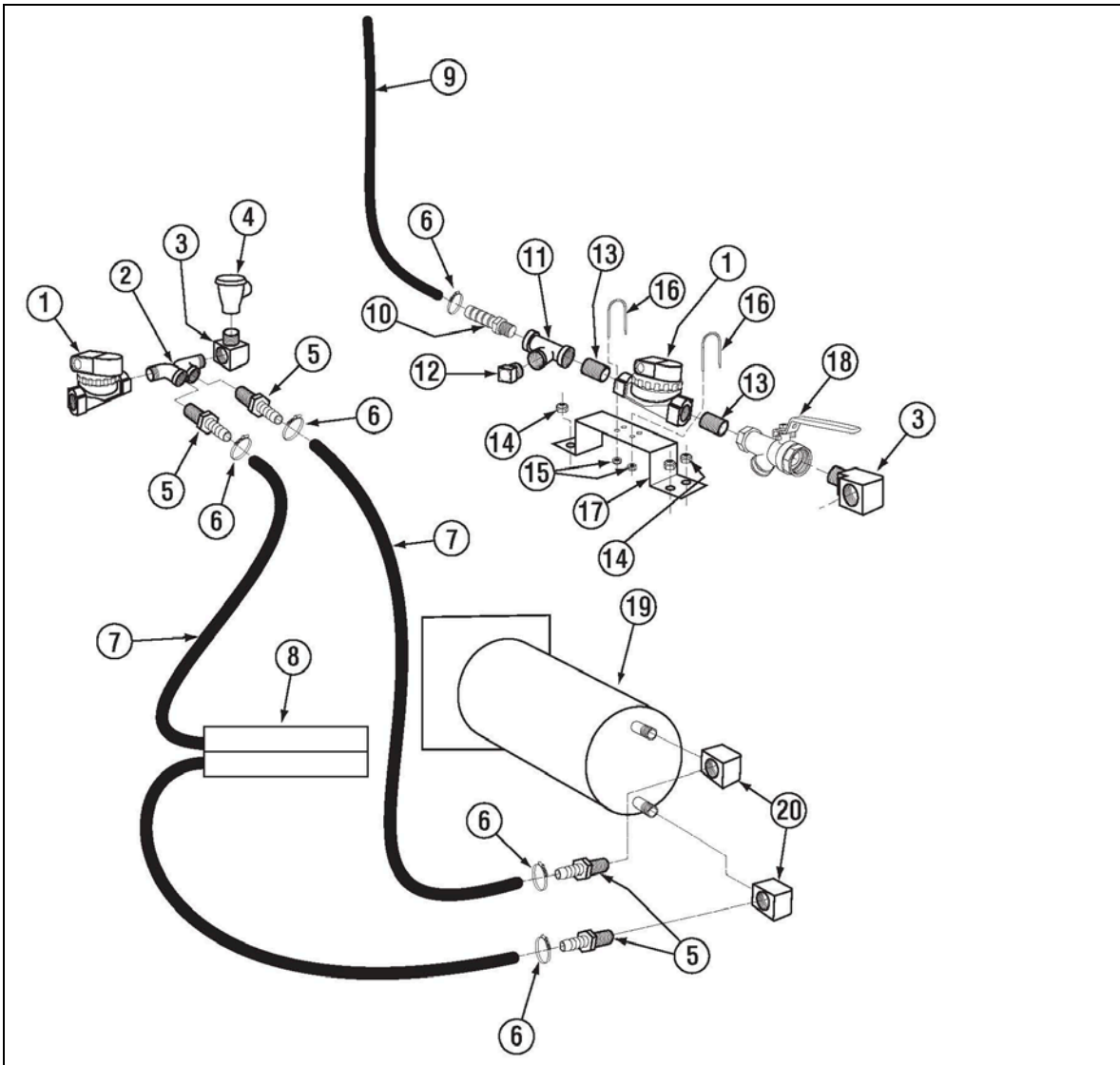
1.3.3. Plumbing System Assembly (Fill)



ITEM NO.	NO. REQ'D	P/N	DESCRIPTION
1	2	00721.00	1/2" Jamb Nut
2	3	00745.00	1/2" Street Elbow
3	2	40014.10	1/2m x 3/8" Barb Straight
4	2	03101.45	Hose Clamp #4
5	2	00743.10	Tee 1/2" FXXF
6	1	00747.10	1/2" x 5" Nipple
7	2	00721.00	1/2" Jamb Nut
8	1	00748.00	Sprinkler Head
9	2	00742.00	1/2" x 1-1/2" Brass Nipple
10	2	00421.51	6-32 x 1/4" Pan Head Screw
11	1	00739.50	Vacuum Breaker Cap, SS (fits 1/2", 3/4")
12	1	03624.25	1/2" Vacuum Breaker Bonnet, Brass
13	1	03623.00	1/2" Vacuum Breaker Repair Kit
14	1	03624.00	Vacuum Breaker Assembly, Watts**
15	1	13633.20	Booster Heater 3/4" in/out Adapter
16	1	00738.10	Water Solenoid Coil

ITEM NO.	NO. REQ'D	P/N	DESCRIPTION
17	1	03603.20	1/2" Water Solenoid Bonnet
18	1	00706.10	Valve Spring Only
19	1	00786.00	Water Solenoid Valve Spring
20	1	00707.00	1/2" Water Solenoid Repair Kit
21	1	03603.10	1/2" Water Solenoid Assembly, J/E*
22	1	01526.00	Plumbing Support Bracket
23	4	00912.00	1/4-20 Nylon Lock Nut
24	4	00912.00	1/4-20 Nylon Lock Nut
25	2	01526.10	Plumbing Bracket Strap
26	1	41062.00	^1/2 Strainer Ball Valve
27	2	00760.00	5/8 Comp x 1/2 MIP Adapter
28	1	41062.10	^ 1/2 Ball Valve Strainer Only
29	1	03107.51	Flexible Black Hose 3/8"
30	1	41030.11	EST VL Fill Water Line
31	1	41030.10	1/2 90Deg Ell F x F Brass

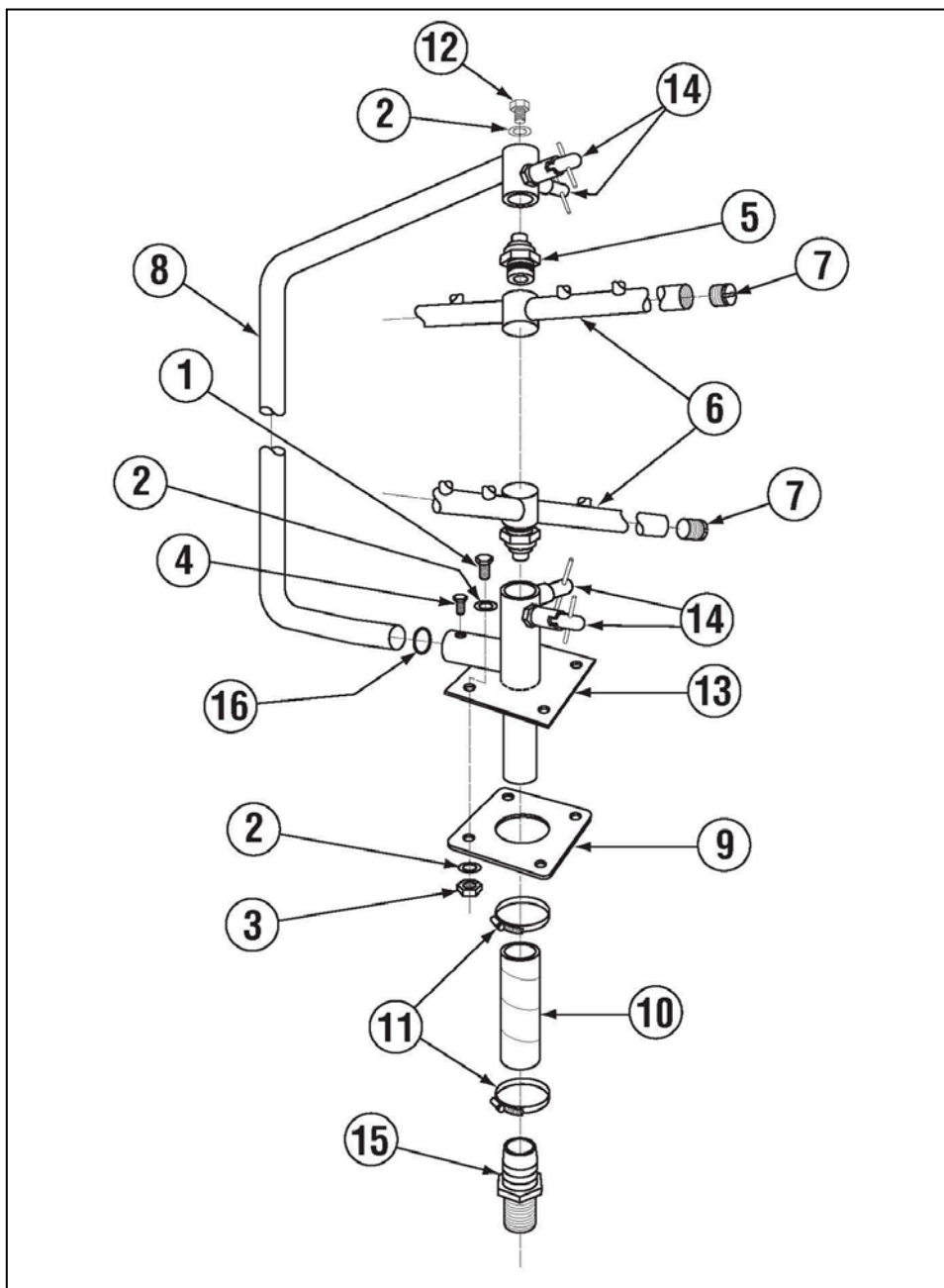
1.3.1. Plumbing System Assembly (Booster Heater and Condenser)



ITEM NO.	NO. REQ'D	P/N	DESCRIPTION
1	1	03603.10	1/2" Water Solenoid Assembly, J/E*
2	1	13633.20	Booster Heater 3/4" in/out Adapter
3	2	00745.00	1/2" Street Elbow
4	1	03624.00	Vacuum Breaker Assembly, Watts**
5	4	40014.00	1/2m x 1/2 Barb Straight
6	6	03101.45	Hose Clamp #4
7	2	03107.00	Flexible Black Hose 1/2"
8	1	02401.05	CMA-130 VL Heat Recovery Battery
9	1	03107.51	Flexible Black Hose 3/8"
10	2	40014.10	1/2m x 3/8" Barb Straight

ITEM NO.	NO. REQ'D	P/N	DESCRIPTION
11	1	00743.10	Tee 1/2" FXXFXF
12	1	13642.00	1/2" MIP Plug Brass Sq. Head
13	2	00742.00	1/2" x 1-1/2" Brass Nipple
14	4	00912.00	1/4-20 Nylon Lock Nut
15	4	00912.00	1/4-20 Nylon Lock Nut
16	2	01526.10	Plumbing Bracket Strap
17	1	01526.00	Plumbing Support Bracket
18	1	41062.00	1/2" Strainer Ball Valve
19	1	17550.20	Booster Tank
20	2	13620.00	1/2" S.S. Street Elbow

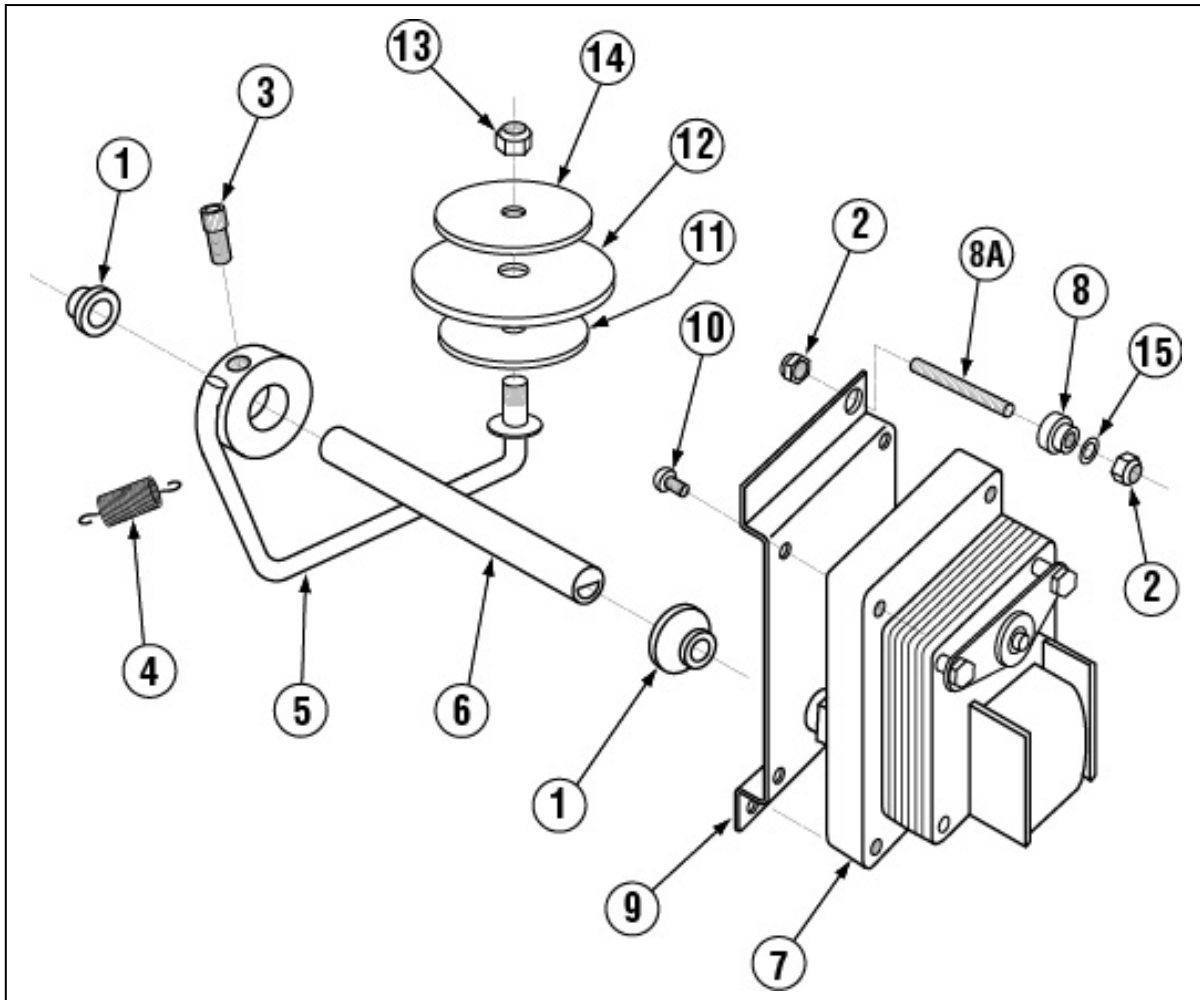
1.3.2. Spray System Assembly



ITEM NO.	NO. REQ'D	P/N	DESCRIPTION
1	4	00914.00	1/4-20 x 3/4" Hex Head Bolt
2	9	00924.00	1/4" SS Washer
3	4	00912.00	1/4-20 Nylon Lock Nut
4	1	00966.10	10-32 x 1/4" Hex Head SS Bolt
5	2	00341.00	Spray Arm Bearing
6	2	00304.06	Spray Arm A/C Series
7	4	00308.50	Spray Arm End Plug SS
8	1	00305.20	Spray Manifold, EST/N- EVA

ITEM NO.	NO. REQ'D	P/N	DESCRIPTION
9	1	04306.00	Square Manifold Gasket
10	1	03108.81	Discharge Hose EVA 8 3/4"
11	2	03101.00	Hose Clamp
12	1	00905.82	1/4-20 x 3/8" Truss Head Bolt
13	1	00357.20	Lower Spray Base, N EVA 2007
14	4	00363.00	Spray Base Pull Lock Pin
15	1	50302.06	1" MPT X 1" Barb PVC Schedule 80
16	1	00302.84	Spray Base O-Ring, E-VA

1.3.3. Power Drain Assembly



ITEM NO.	NO. REQ'D	P/N	DESCRIPTION
1	2	00938.82	1/2" Drain Bushing, Brass (V)
2	4	03801.00	10-32 Lock Nut
3	1	00906.82	1/4-20 x 5/8" Socket Head Screw
4	1	00105.82	Drain Spring (V)
5	1	00108.83	Drain Actuator Arm (includes #3)
6	1	00109.60	Drain Actuator Shaft (V)
7	1	00104.50	Drain Motor, 120V 60Hz
8	2	00109.40	Shoulder Nut, SS

ITEM NO.	NO. REQ'D	P/N	DESCRIPTION
8A	2	00109.50	10-32 x 1" Stud
9	1	01511.86	Drain Motor Bracket – 3 rd Generation
10	2	00941.00	10-32 x 5/8" Pan Head Screw
11	1	01520.82	Diaphragm Support Disk, 1-1/8"
12	1	00121.60	Drain Diaphragm
13	1	00912.00	1/4-20 Nylon Lock Nut
14	1	01521.82	Diaphragm Support Disk, 2"
15	2	04806.00	#10 Brass Washer

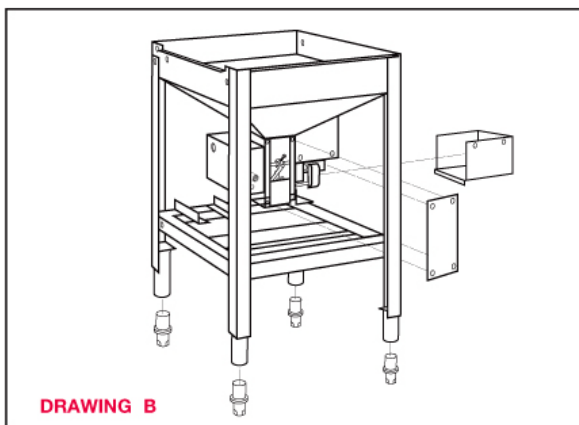
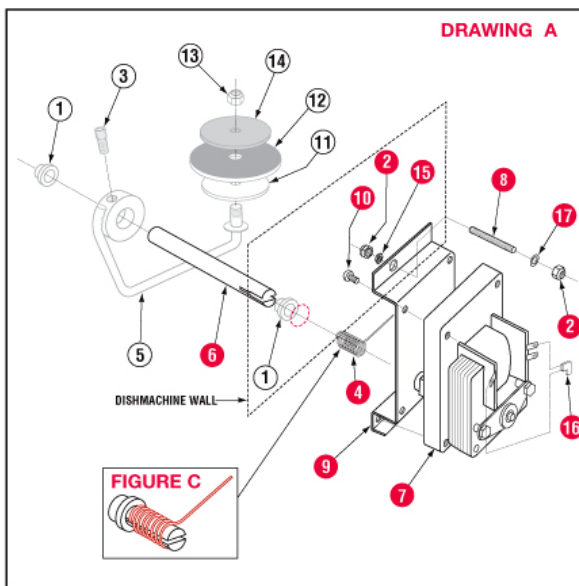
1.3.4. Power Drain Retrofit Kit p/n 00104.95

POWER DRAIN KIT
P/N 00104.95

11-14-07

POWER DRAIN ASSEMBLY INSTRUCTIONS

1. Remove drain lid and power drain cover (see drawing B).
2. Remove hardware securing drain motor. Discard all hardware holding motor in place.
3. Remove and discard motor bracket from motor, but save two (#10) 10-32 screws.
4. Install hardware (#2, #8, #15). Thread two (#8) studs through tank and secure in place with (#2) nylon lock nuts. On the outside of tank install (#15) thin nut onto the (#8) stud and secure. **NOTE:** The (#15) thin nut serves a very important purpose in drain function.
5. From kit install new drain motor bracket to drain motor with two saved (#10) 10-32 screws.
6. Remove drain shaft by loosening (#3) screw on (#5) drain actuator arm. Discard drain shaft.
7. Install the new (#6) drain shaft from the kit and align drain actuator arm to the tank using the (#3) set screw. Make sure the flat side of the (#6) drain shaft has the (#3) set screw tightening against it.
8. Install (#4) drain spring properly on drain shaft and pay particular attention to the positioning of the long arm on spring. The long arm will rest against the top right side of drain motor bracket. (See drawing A). Install short end of spring into slot of drain shaft. (See figure C).
9. Align the shaft of the (#7) drain motor with (#6) drain actuator shaft slot as motor is placed into position. Drain motor bracket with motor attached is secured to (#8) studs using (#2) nylon lock nuts and washers.
10. Grease the drain shaft and (#1) drain bushings. Replace drain lid and drain cover. When drain kit has been completed, energize drain several times and check its function. **NOTE:** Remove electrical spade connectors from wires leading to drain motor and replace with two (#16) flag terminals supplied in drain kit. This will allow proper clearance between drain lid and flag terminals.



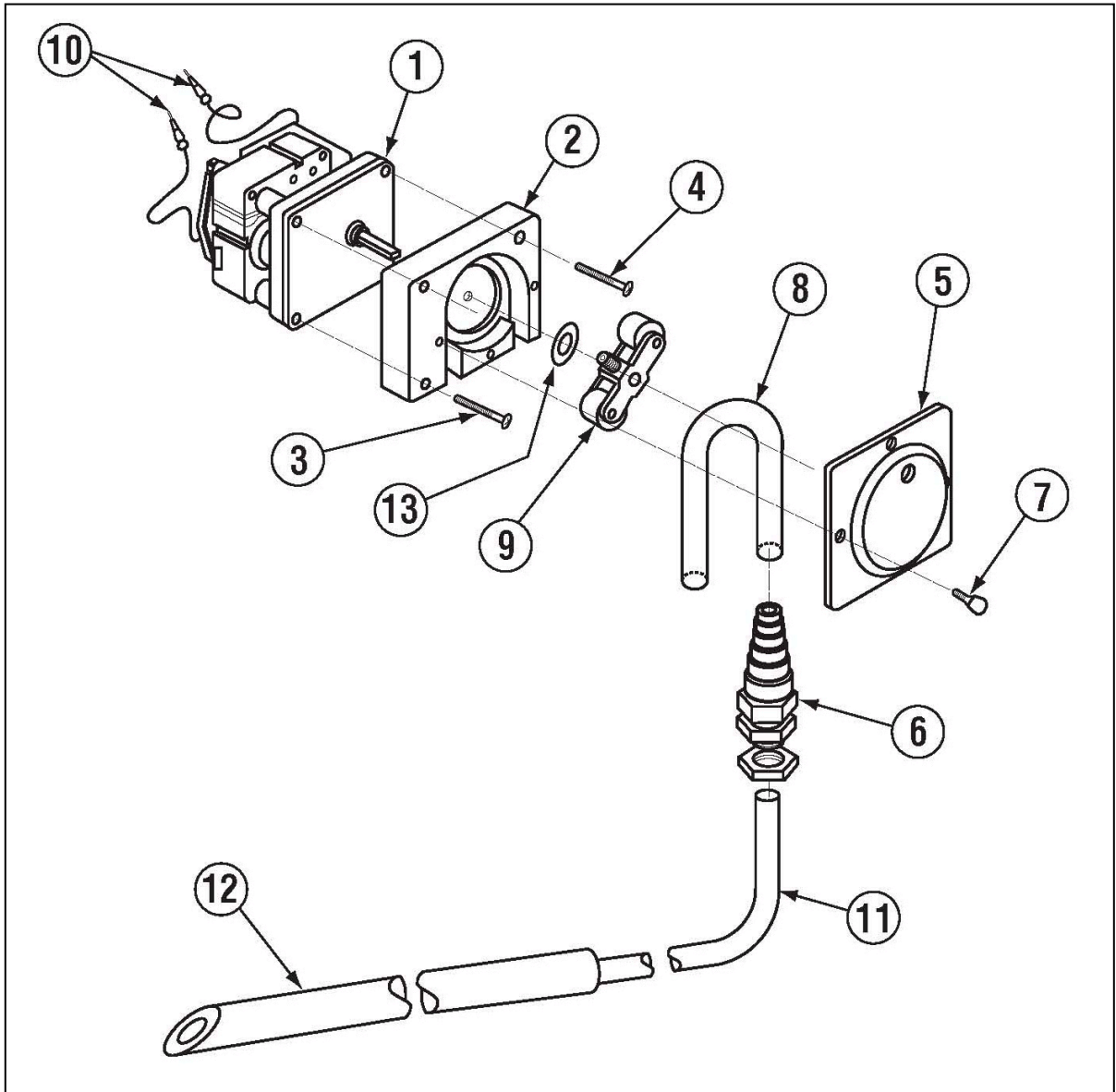
ITEM NO.	NO. REQ'D	DESCRIPTION
1	2	P/N 00938.82 Drain Bushing
2	2	P/N 03801.00 10/32 Nylon Lock Nut
3	1	P/N 00906.82 Socket Head Screw
4	1	P/N 04103.14 Drain Spring
5	1	P/N 00108.82 Drain Actuator Arm
6	1	P/N 00109.60 Drain Shaft EVA
7	1	P/N 00104.50 Drain Motor 120V
8	2	P/N 00109.50 Drain Mounting Studs
9	1	P/N 01511.86 Drain Motor Bracket
10	4	P/N 00941.00 10-32X5/8 PanHead Screw
11	1	P/N 01520.82 Support Disk
12	1	P/N 00121.60 Drain Diaphragm
13	1	P/N 00912.00 Nylon Nut
14	1	P/N 01521.82 Two Inch Support Disk
15	1	P/N 03801.20 10/32 Thin Nut
16	2	P/N 00557.20 Flag Terminal 14-16 GAUGE
17	2	P/N 00924.00 SS Washer

NOTE: Items in bold are included in the Power Drain Kit. "All items in power drain kit must be used for drain to operate properly"



12700 Knott Avenue
Garden Grove, CA 92841
For Questions Call: 800-854-6417
714-898-6781 • FAX 714-895-2141
www.cmashmachines.com

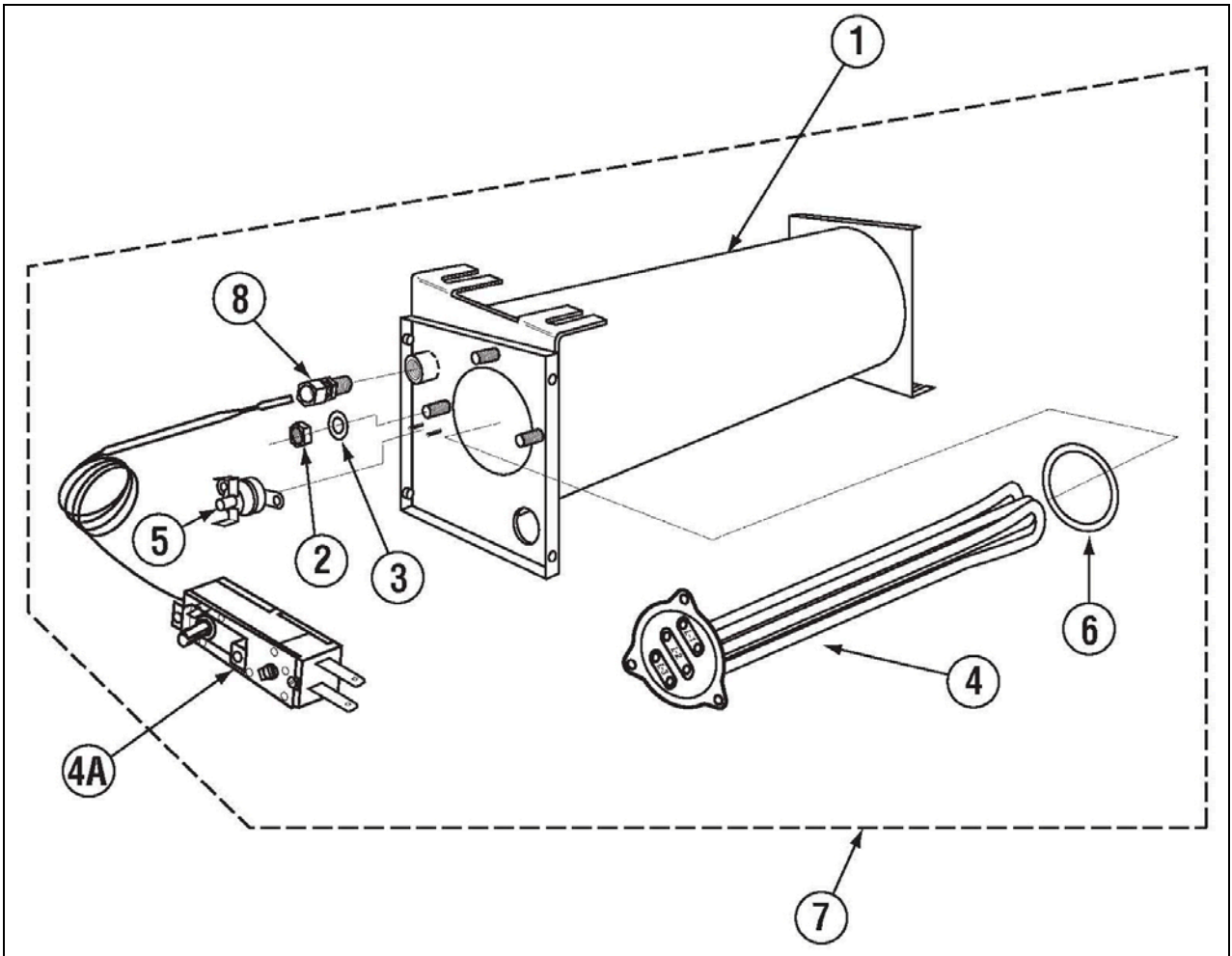
1.3.5. Peristaltic Pump Assembly



ITEM NO.	NO. REQ'D	P/N	DESCRIPTION
1	1	00416.00	Peristaltic Pump Motor
2	1	00417.10	Peristaltic Pump Block
3	2	00919.00	10-32 x 1-1/2" Pan Head Screw
4	1	00918.10	10-32 x 1-1/2" Fillister Head Screw
5	1	00418.00	Peristaltic Pump Block Cover
6	1	03415.50	Flex-Tight Fitting
7	4	00911.00	8-32 x 1/2" Pan Head Screw

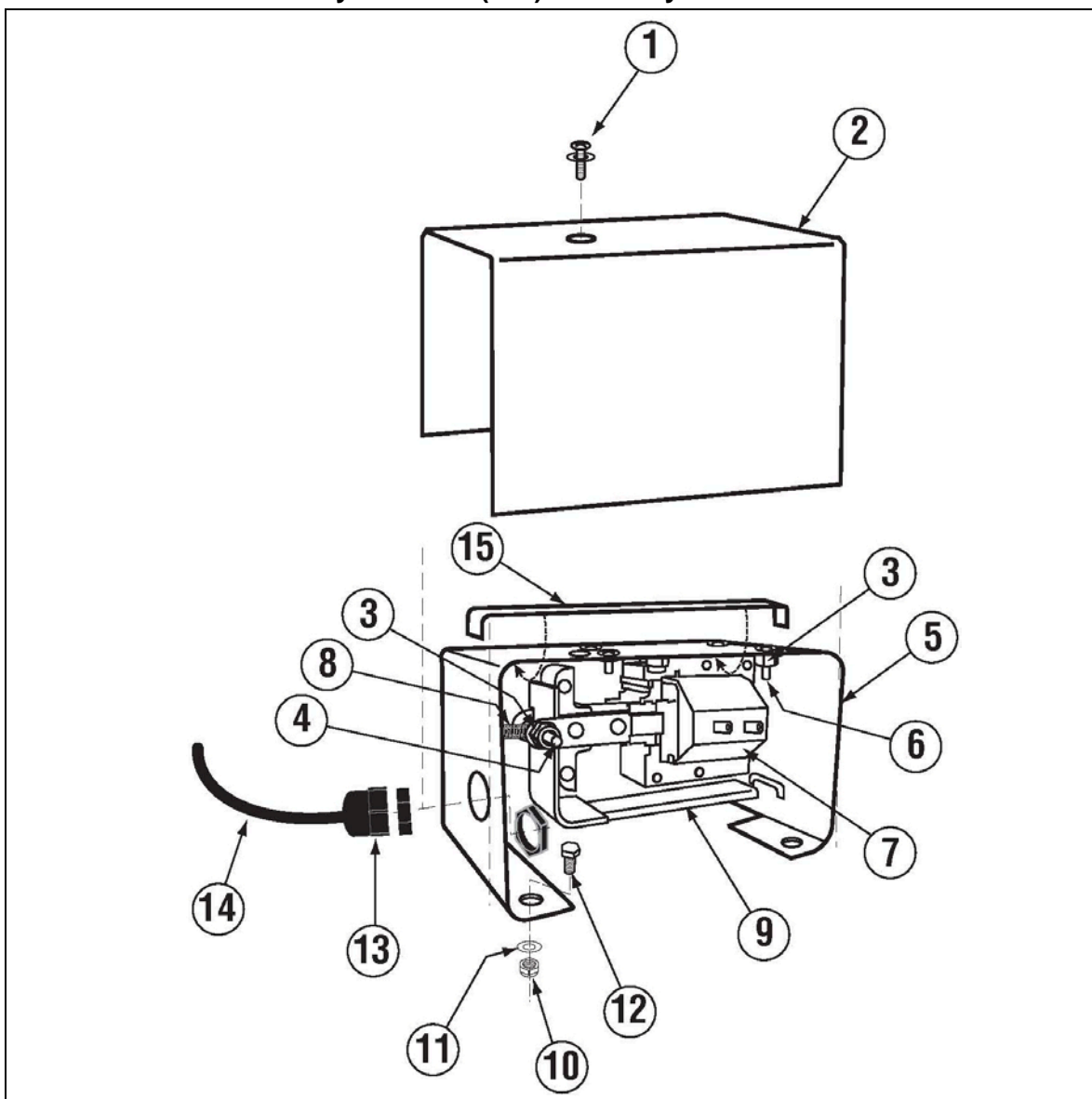
ITEM NO.	NO. REQ'D	P/N	DESCRIPTION
8	1	2257.00	Squeeze Tube
9	1	00419.00	2-Bearing Rotor Assembly
10	2	00448.00	Barrel Connector, Male
11	1	00425.51	Chemical Tubing, Blue
	1	00425.53	Chemical Tubing, Red
	1	00425.54	Chemical Tubing, White
12	3	00443.00	Tube Stiffener
13	1	00422.50	Rotor Spacer

1.3.6. Booster Tank Heater



ITEM NO.	NO. REQ'D	P/N	DESCRIPTION
1	1	17550.20	Booster Tank
2	3	13805.00	Nylon Lock Nut 5/6"-18
3	3	00926.00	Washer SS 5/16"
4	1	13422.71	240V 12KW Triangular Immersion Htr
4A	1	13417.94	Thermostat
5	1	17523.51	Hi-Limit Switch-Booster 250 degrees
6	1	15518.11	Gasket for Triangular Flange Heater
7	1	17560.00	Complete Assembly
8	1	40116.00	1/4 Comp x 1/4 MIP Fitting

1.3.7. Door Safety Interlock (DSI) Assembly P/N [17712.85](#)



ITEM NO.	NO. REQ'D	P/N	DESCRIPTION
1	1	03801.40	10-32 x 1/2 Cone Screw
2	1	17712.30	DSI Cover
3	5	00927.00	8-32 Nylon Lock Nut
4	1	00902.00	8-32x 1-1/4 Pan Head Screw
5	1	17712.35	DSI Mount
6	4	00970.60	8-32 x 1/2 Flat Screw
7	1	00100.00	Drain Ball Solenoid 115V

ITEM NO.	NO. REQ'D	P/N	DESCRIPTION
8	1	17712.50	Solenoid Spring
9	1	17711.10	EST- VL Interlock Bar
10	4	00912.00	1/4-20 Nylon Lock Nut
11	4	00924.00	1/4-20 Nut w/ Grip Washer
12	4	00906.00	1/4-20 X 1/2 Hexhead Bolt
13	1	00562.60	Roller Door Switch
14	1	00547.00	Switch Cord 18 AWG
15	1	001550.00	Solenoid Stop