



Owner's Manual

GW-100 MANUAL

- INSTALLATION
- SERVICE
- PARTS

REV.1.00B 11-01-2024



CMA DISHMACHINES
17707 VALLEY VIEW AVE
CERRITOS, CALIFORNIA 90703

800-854-6417

FAX 714-895-2141

www.cmadishmachines.com

[Buy Parts](#)

TABLE OF CONTENTS

MODEL GW-100

1. RECEIVING	2
2. SPECIFICATIONS	3
2.1. GW-100	3
3. INSTALLATION.....	4
3.1. ELECTRICAL	4
3.2. PLUMBING.....	4
4. OPERATION.....	5
4.1. FILLING OF THE WASH TANK	5
4.2. OPERATION INSTRUCTIONS	5
4.2.1. <i>Proper Chemical Dosage for GW-100</i>	5
4.3. CLEANING INSTRUCTIONS	6
4.3.1. <i>Highly Recommended Daily Cleaning Instructions</i>	6
4.3.2. <i>Weekly Cleaning Instructions</i>	6
5. TROUBLESHOOTING.....	7
6. PARTS MANUAL	9
6.1. GW-100 INITIAL PARTS KIT P/N 1100.49.....	9
6.2. EXPLODED VIEW DRAWINGS.....	10
6.3.1. <i>Main Assembly</i>	10
6.3.2. <i>Conveyor Wheel / Curtain</i>	11
6.3.3. <i>Conveyor Shut-Off Rod Assembly</i>	12
6.3.4. <i>GW-100 Control Box Assembly P/N 18611.47</i>	13 & 14
6.3.8. <i>Soap Tank Assembly</i>	15
6.3.9. <i>Water Inlet Plumbing</i>	16
6.3.10. <i>Sanitizer Plumbing Component Hardware</i>	17
6.3.11. <i>Vacuum Breaker and Hardware</i>	18
6.3.12. <i>Wash Pump Assembly</i>	19
6.3.13. <i>Conveyor Drive Assembly</i>	20
6.3.14. <i>Scrap Collector Assy. GLC P/N 16565.00/GW-100 P/N 16565.50</i>	21
7. GW-100 ELECTRICAL DIAGRAM	22

1. Receiving

1. Remove all packing material from the machine.
2. Remove all tape securing components within the machine. Check that both trays are positioned properly.
3. Check for the following component parts:
 - A. Check that the rinse screen is secure in the rinse drain.
 - B. Check the position of the Gw-100 curtains.
 - C. Check that the conveyor is level and the drive gear is engaged in the conveyor's outer rim grooves.
 - D. Important: Check and remove overflow drain tube, which is secured to the front of the scrap tank, behind the access door. Place it in position in soap tank.
 - E. Check that the screen in the detergent tank is in position.
 - F. Check that the drain screen is in position.
4. Important: Read all instructions completely.

DISCLAIMERS

CMA expressly disclaims any and all warranties, express or implied, relating to the installation of any and all CMA equipment that is installed by chemical dealers, contracted servicers or third party servicers to CMA equipment. If the installation instructions are not followed exactly (to the letter), or, if any person or company conducting the installation of the CMA equipment, revise the installation procedures or alter the instructions in any manner, the CMA warranty becomes void. If, due to the improper installation of CMA equipment, this equipment ceases to operate properly or affects other parts of the CMA dishwashing equipment, in that the other parts become defective, the CMA warranty becomes void. CMA will not be liable or responsible or warrant CMA equipment, due to improper installation of any CMA model dishwasher.

CMA does NOT endorse "Tankless On-Demand" water heaters for use on CMA Dishmachine products. On most applications, the volume of hot water required for commercial dishmachines exceeds the capacity of these types of heating sources. You will find that most, if not all, commercial dishmachines have been programmed with auto-filling features that require quick filling, with a designated limited time.

CMA DOES endorse, and highly recommends, the standard "tank" style water heaters, sized properly to handle each particular facility with their water heating requirements. A "tank" style water heater stores and supplies a large capacity of preheated water before providing hot water to the dishmachine. To meet required health codes, there must be a reliable and consistent flow of adequate hot water supplied to the dishmachine. If the facilities' "tank" style water heater is marginal in size, CMA recommends installing a proper size Hatco Booster Heater, a CMA's E-Temp 40 or 70-degree-rise Booster Heater (that can be installed on CMA Conveyors), or a CMA Temp-Sure Booster Heater (for door and undercounter dishmachines). All are designed to adequately achieve results.

2. Specifications

2.1. GW-100

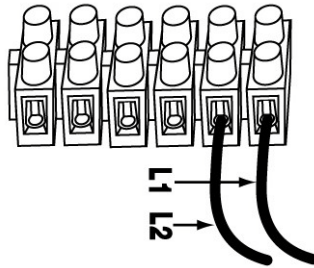
WATER CONSUMPTION		
HOT WATER INITIAL FILL	3 GAL.	11.35 L.
HOT WATER PER HOUR (max)	12 GAL.	45.42 L.
COLD WATER PER HOUR	168 GAL.	636 L.
OPERATING CAPACITY		
(2-1/2") GLASSES PER HOUR	1000	-
WATER REQUIREMENTS		
COLD WATER INLET	1/2"	-
HOT WATER INLET	1/2"	-
DRAIN CONNECTION	1-1/2"	-
TEMPERATURES		
INLET COLD WATER	75 °F	24°C
INLET HOT WATER (recommended)	140°F	60°C
FRAME DIMENSIONS		
DEPTH	25-1/8"	63.8CM
WIDTH	25-1/4"	64CM
HEIGHT	39"- 40-1/2"	99 -102.8CM
MAX CLEARANCE FOR GLASSES	11-3/4"	29.9CM
ELECTRICAL		
	120 VAC	
	14.4 AMPS	
TANK HEATER (Not Booster Heater)	1.5 KW	
WASH PUMP MOTOR	.1HP	
SHIPPING WEIGHT		
GW-100 (Approximate)	156#	71 kg



3. Installation

3.1. *Electrical**

GW-100 - a 15 Amp, 120 Volt, 60 Hz dedicated circuit should be used to supply electrical power to the GW-100 machine (see specification sheet page 3). The power connection with the leads L-1, L-2 (N) and Ground must be such that there is sufficient length of flexible conduit to permit the machine to be moved for cleaning.



3.2. *Plumbing**

Making Cold Water Connection

1. Connect a cold 1/2" water line to the cold water solenoid valve and inspect for leaks. Water flow pressure should be between 20-100 PSI.
2. Cold water usage is approximately 2.8 U.S. gpm.
3. Machine is equipped with a mixing valve located between hot and cold solenoid valves. Open until temperature reaches 75°F for areas with very cold rinse water to heat the rinse water which will prevent glasses from cracking.

Making Hot Water Connection

1. Connect a hot 1/2" water line to the hot water solenoid valve. The temperature must be minimum 140°F/60°C with flow pressure between 20-100 PSI.
2. Hot water usage is approximately 12 U.S. gph.

Making Drain Connection

1. Connect a 1-1/2" PVC drain line to the bottom of the scrap tank (note: machine is gravity drain)

***Electrical and plumbing connections must be made by a qualified person who will comply with all available Federal, State, and Local Health, Electrical, Plumbing and Safety codes.**

4. Operation

4.1. Filling of the Wash Tank

- With overflow drain tube in place in the detergent tank proceed to following.
- Turn power on-off/flush switch to the "ON" position. The water solenoid will activate and fill soap tank until the proper level is reached, also activating heating element.
- Set the thermostat for minimum 140°F/60°C. The wash tank temperature is regulated by heater and thermostat.

4.2. Operation Instructions

- Open the door; place on-off/flush switch to the "ON" position. The wash tank will begin its automatic fill cycle.
- Verify product containers have chemicals.
- Detergent is fed from the supply container into the detergent tank in controlled amounts by the detergent pump. Use detergent at strength recommended by your chemical supplier.
- Place glasses on the conveyor wheel. Push conveyor rocker switch located on front right side of machine. The conveyor wheel will stop and start with conveyor shut-off rod.

4.2.1. Proper Chemical Dosage for GW-100

The amount of chemical delivered, whether it is detergent, sanitizer or rinse aid, is controlled using the set screw located on the circuit board attached to the control box.

- For detergent, contact your chemical supplier for proper type and detergent concentration.
Note: Detergent pump only operates when hot water tank is filling or when prime switches are activated.
- Circuit board basic settings are: arrow facing 9:00 for sani and rinse, 12:00 for detergent.

Adjustments To Detergent Pump:

- When replacement container is installed, push the prime switch in and hold until the detergent feed line is full.
- Securely place overflow drain tube into soap tank and switch power on-off/flush switch to the "ON" position. The detergent dispenser will automatically dispense soap as the soap tank fills with water.
- The quantity of product can be regulated at the circuit board using the set screw.

Adjustments To Sanitizer Pump:

- Follow same procedures as detergent for priming chemical.
- Push conveyor rocker switch located on the front of the machine. Place sanitizer test strip under the final rinse and read for proper level.
- The quantity of product can be controlled at the sani circuit board set screw.

Note: Use chlorine test papers to verify and monitor the 50ppm chlorine level

Adjustments To Rinse Agent Pump:

- Follow same procedures as detergent for priming chemical.
- Cycle glasses through machine and verify rinse agent is feeding properly. Increase rinse aid as necessary by turning up or down circuit set screw.
- Basic circuit board setting is 9:00.

Note: To meet standards set by NSF, chlorine at 50ppm must be used in the final rinse.

4.3. Cleaning Instructions

4.3.1. Highly Recommended Daily Cleaning Instructions

Remove optional GLC drain tray & waste collector from the front of your glasswasher and clean thoroughly.

Turn power switch off behind front service door.

Remove all trays, screens and curtains. Wash, rinse them thoroughly and allow to dry.

Move shut-off rod to side and remove conveyor hub and wheel from machine.

Remove and clean wash and rinse arms. Wash tube brush and jet reamer supplied for cleaning of arms.

Install wash and rinse arms (Wash and rinse arms are different .The receiver arm sockets are molded differently to prevent placing arms in wrong location).

Use reverse procedures for placing conveyor wheel and hub back into position.

Note: conveyor motor can be pulled to the side as your placing wheel into position. Open front access door and pull conveyor motor toward you as seat the conveyor wheel into position.

Place conveyor hub in center of conveyor, align shut-off rod to normal position. Install left and right trays, making sure shut-off rod is positioned between guide brackets. Install curtains into their holders.

Upper and lower wash tank screens should be removed and cleaned thoroughly.

Pull the drain tube from the soap tank and clean the tank.

Insert overflow drain tube and wash tank screens back to appropriate placement.

Reattach optional GLC waste collection assembly.

Check product levels and close front service door.

4.3.2. Weekly Cleaning Instructions

Remove upper and lower wash and rinse arms from their spray bases, remove end plugs, and clean spray tubes with Cleaning Drill p/n [00899.01](#), Cleaning Brush p/n [00899.02](#) provided.



5. Troubleshooting

PROBLEM	LIKELY CAUSE	SOLUTION
The soap tank water temperature low	Thermostat malfunction	Replace
	Thermostat set too low	Turn thermostat up
	Bad heater	Replace
	Float switch malfunction	Remove and replace
	Water supplied to machine low	Must provide 140°F
Low or no pressure in rinse spray arms	Rinse spray arms dirty	Clean spray arms with cleaning drill and brush provided
	Shut-off valve on supply line may be closed	Open valve
	Spray arm pressure low	Minimum 20-100PSI flow pressure required
No rinse arm water	Rinse solenoid valve non-operational	Check coil Check and install rebuild kit Replace if necessary
	Solenoid valve strainer or restrictor disc plugged	Remove screen and clean- replace or clean flow restrictor
Product containers filling with water	Plugged rinse arms	Clean
	Worn flow restrictor in solenoid valve	Replace
No chemical being dispensed	Empty product in containers	Refill containers
	Chemical lines plugged	Flush lines with hot water and condition of chemical
	Strainer on pick-up tube plugged	Clean with hot water
	Circuit board setting too low	Increase by turning clockwise while machine is running/filling
	No power to pump	Check LED signal, all electrical connections
	Pump motor or circuit board defective	Replace pump motor or circuit board
Soap tank continues to fill with water with power off	Leaking solenoid valve diaphragm.	Inspect and clean seat Replace diaphragm kit Install new valve

PROBLEM	LIKELY CAUSE	SOLUTION
Moisture, condensation, wet areas behind service door	Pump seal leaking	Replace
	Detergent tank drain screen plugged	Clean
	Primary drain plugged	Clean
	Rinse water drain line backing up	Clear obstruction, clean machine
	Return screen in soap detergent tank plugged	Clean
	Covers on detergent tank are not installed properly causing condensation	Position all top covers to completely cover top of tank
Wheel not turning	Power off at circuit breaker	Reset circuit breaker
	Drive motor defective	Replace
	Micro switch on switch support bracket faulty or not making contact	Replace or make adjustment to switch
	Conveyor not engaged with drive gear	Position properly.
Low or no pressure coming from wash arms	No or low water in soap tank	Check water supply Check tank stand pipe position Check that fill switch is in On-Fill position and that tank fills with water Check float switch operation Check hot fill solenoid is operational
	Obstruction in wash arm	Clear obstruction
	Wash Pump not running	Check power supply Check pump capacitor Replace pump
	Pump running but no pressure to wash arms.	Inspect the impeller Replace if needed
Water spraying out conveyor entrance	Spray arms not locked in place	Spray arms must be pushed firmly on to hub connection on spray base
	Spray arms plugged	Clear and clean with cleaning drill, scraper, and brush
	Splash curtain not in position	Install or adjust
	Machine in operation without any glasses on conveyor	Operate machine with a full load of glasses

6. Parts Manual

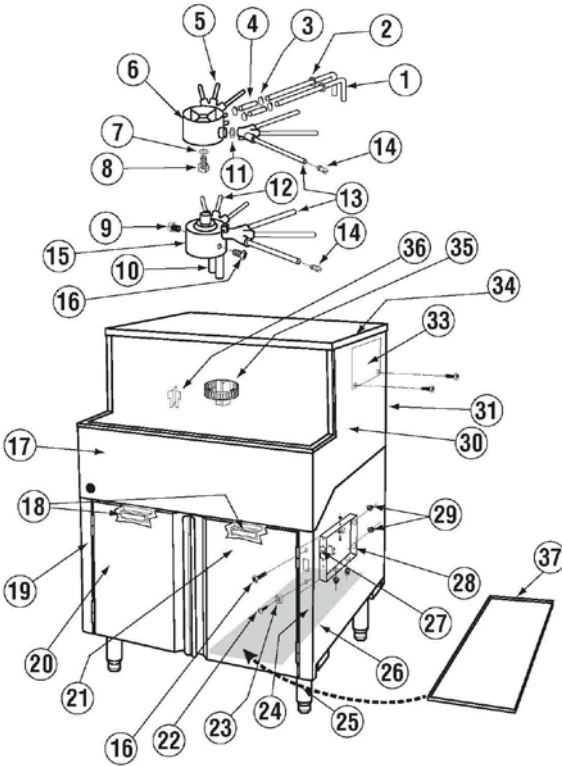
6.1. *GW-100 Initial Parts Kit p/n 1100.49*

P/N	DESCRIPTION	Qty
00120.02	Thermometer (Bi Metal)	1
00201.44	Wash Pump	1
00421.47	Conveyor Rocker Switch	1
00472.47	Conveyor Shut Off Switch	1
00631.00	Ice Cube Relay 120V, 12A	1
00631.49	Ice Cube Relay 120V, 20A	1
00715.47	3/8" Check Valve	1
00810.49	Drive Motor 120V	1
00811.47	Drive Motor Spring	1
00815.00	Peri Pump Complete	1
00820.00	Peri Pump Circuit Board	1
00821.30	Transformer 120V	1
00835.30	GL-C/GW-100 Squeeze Tube - Black	1
00839.00	Squeeze Tube w/conn.	1
00899.01	Cleaning Drill	1
00899.02	Cleaning Brush	1
03470.47	Power on-off/ Flush Switch	1
03475.00	Primer Switch - Push Button	1
03623.00	1/2 Vac Breaker Repair Kit Watts	1
13417.94	Heater Thermostat (EGO)	1
13418.49	Auto-Fill Timer 120V	1
13465.50	GW-100/GL-C Float Switch	1
13605.00	Pressure Gauge	1
13703.47	GLC Curtain (Blue)	1
15417.30	Screw Plug Heater 1.5kW	1
41015.49	Solenoid Valve 3/8" 120V	1

NOTE: Important! CMA recommends that the initial parts kit be purchased immediately and kept on hand as a back up supply of critical parts in the event your machine should require emergency service.

6.2. Exploded View Drawings

6.3.1. Main Assembly

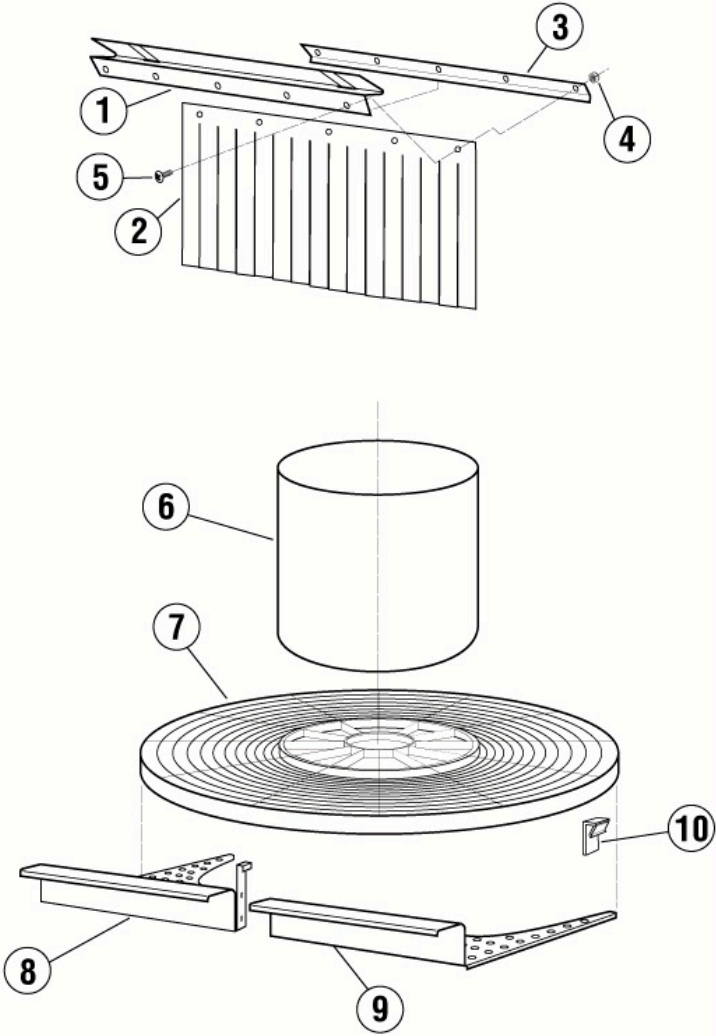


ITEM NO.	NO. REQ'D	P/N	DESCRIPTION
1	2	05004.20	GL-C/GW-100 Spray Base Tubing
2	2	14754.10	Grommet
3	4	03101.47	Clamp #6
4	1	03106.47	Braided Hose 3/8"
5	1	14755.00	Wash Arm
6	1	14752.00	Upper Spray Base
7	1	00924.00	Washer, 1/4"
8	1	00910.00	Bolt, 1/4-20 x 1 1/2"
9	4	00940.60	Screw, 10-32 x 3/8"
10	1	14756.00	Lower Spray Base Inlet Tube
11	4	14752.10	Spray Base "O" Ring
12	1	14755.00	Wash Arm
13	2	14754.00	Rinse Arm
14	6	00308.47	Spray Arm End Plug
15	1	14753.00	Lower Spray Base
16	2	00940.50	Screw, 10-32 x 3/8"
17	1	16302.50	Face Trim
18	2	00812.47	Magnetic Door Catch
19	1	16302.65	Front Pillar (Left Hand)
20	1	16306.00	Left Door

*Not shown.

ITEM NO.	NO. REQ'D	P/N	DESCRIPTION
21	1	16306.50	Right Door
22	1	00941.00	10-32 X 5/8 Panhead Screw
23	1	00421.45	Switch Bumper
24	1	16402.60	Front Pillar (Right Hand) 2" taller
25	4	01146.00	Leg 6-1/2"- Thread
26	1	16331.00	Base
27	1	00421.47	Conveyor Rocker Switch
28	1	16514.50	Conveyor Switch Box
29	4	00438.00	Snap Bushing Universal 875-11
30	1	16302.00	Side Panel Wrap
31	1	16330.00	Wash Tank Assy.
32	4	00940.60	Screw, 10-32 x 3/8"
33	1	16510.50	Vacuum Breaker Access Cover
34	1	16513.00	Top Panel
35	1	16571.20	Deflector Screen (Rinse)
36	1	16571.00	Drain Deflector (Wash)
37	1	16580.00	Chemical Drip Tray
38	1	16530.50	Tank Support Bracket *
39	1	00860.01	Moisture Pad 10 x 23 *
40	1	00860.02	Moisture Pad 3 x 23 *
41	1	00860.03	Moisture Pad 10 x 12 *

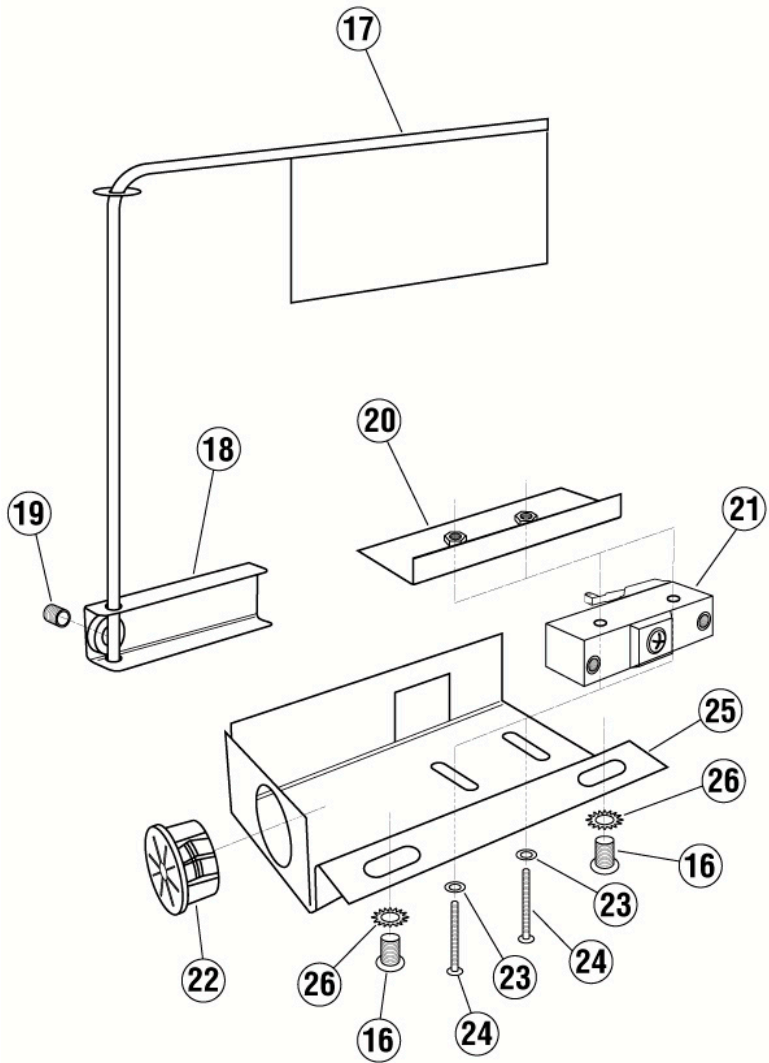
6.3.2. Conveyor Wheel / Curtain



ITEM NO.	NO. REQ'D	P/N	DESCRIPTION
1	1	16505.00	Curtain Support
2	1	13703.47	Curtain
3	1	16505.10	Curtain Clamp
4	8	00927.00	Nut, 8-32
5	8	00911.50	Screw, 8-32 x 3/8"

ITEM NO.	NO. REQ'D	P/N	DESCRIPTION
6	1	16451.00	Conveyor Hub 2" taller
7	1	14750.00	Conveyor Turntable
8	1	16350.50	Tray- Left
9	1	16350.00	Tray- Right
10	4	14750.10	Turntable Glide Block

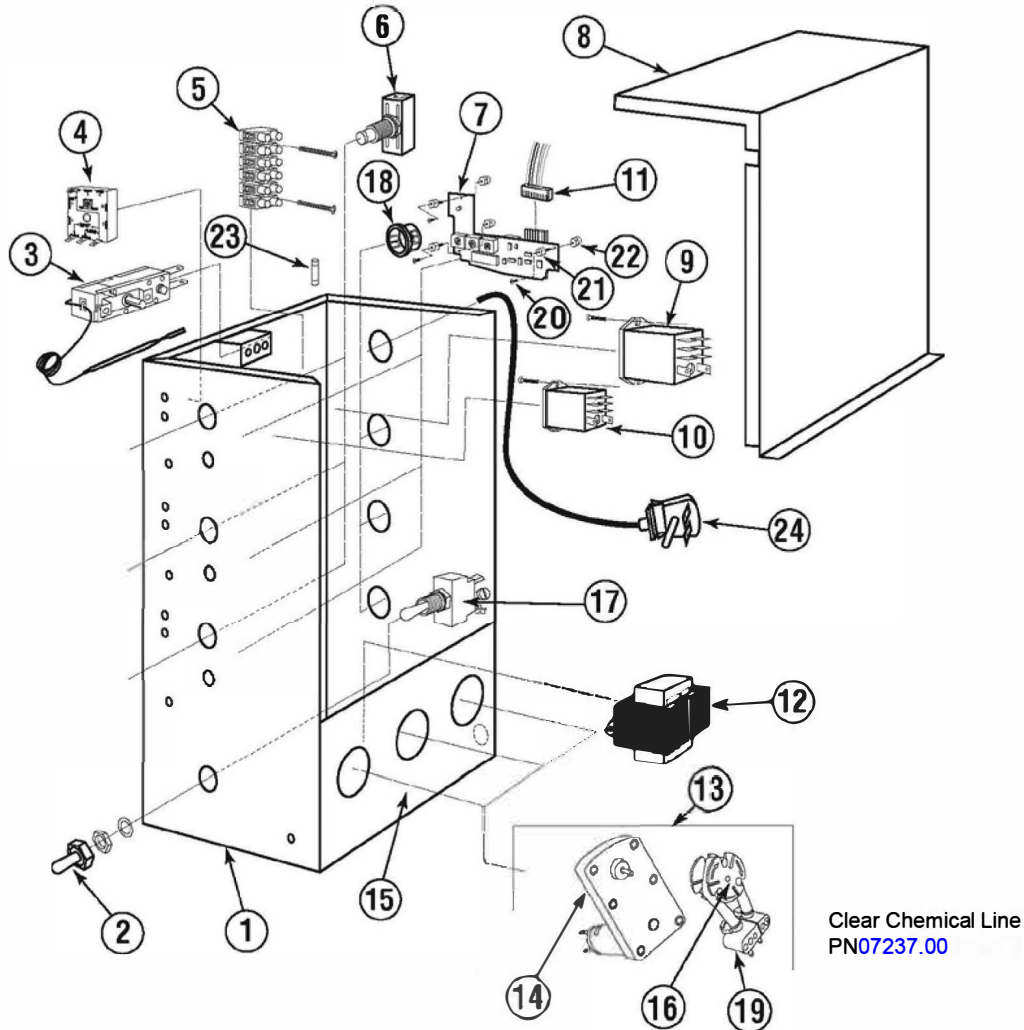
6.3.3. Conveyor Shut-Off Rod Assembly



16	2	00940.50	Truss Head Screw 10-32 x 3/8"
17	1	16320.00	Shut-off Rod
18	1	16521.00	Activator
19	1	00935.00	Socket Set Screw, 1/4-20 x 1/4"
20	1	16514.30	Nut Plate
21	1	00472.47	Conveyor Shut Off Switch
22	1	00438.00	Snap Bushing Universal 875-11
23	2	04806.00	#10 Brass Washer
24	2	01001.00	Pan Head Screw 6-32 x 1"
25	1	16514.00	Conveyor Shut Off Switch Brack.
26	2	03814.10	10-32 Lock Star Washer

Parts Manual

6.3.4. GW-100 Control Box Assembly P/N 18611.47



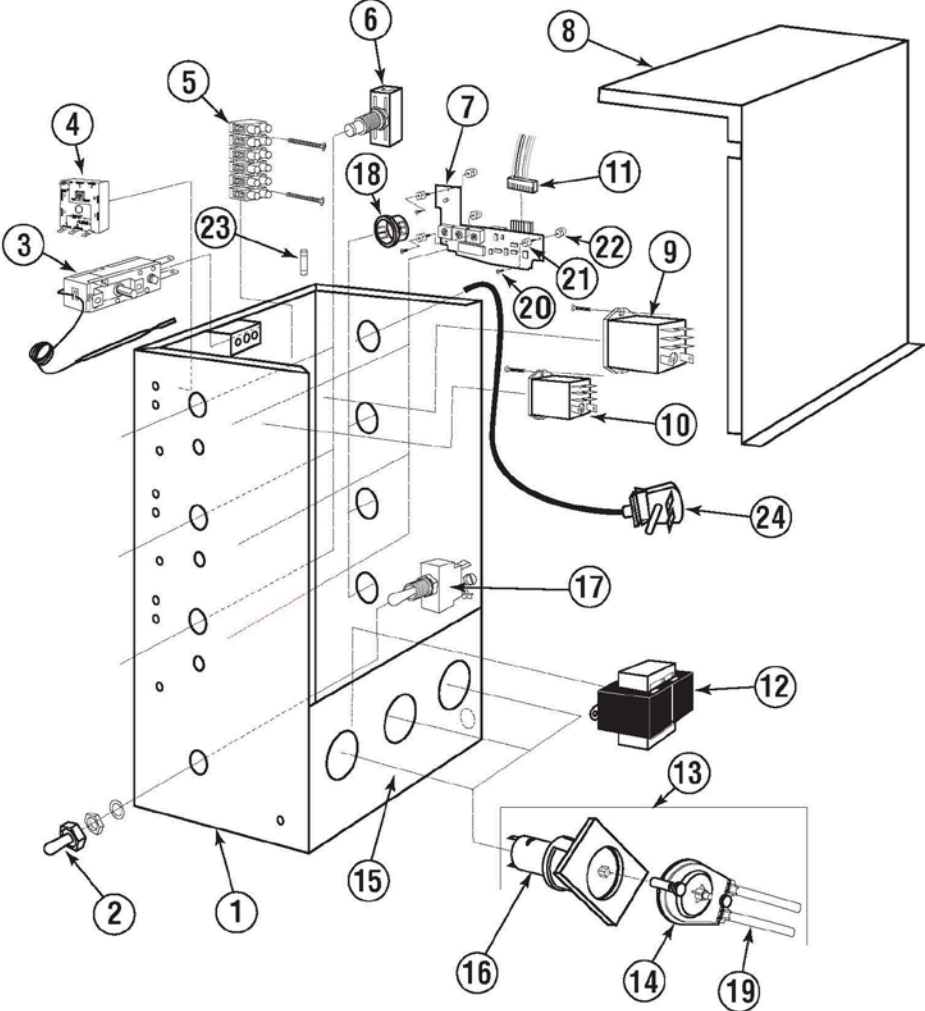
ITEM NO.	NO. REQ'D	P/N	DESCRIPTION
1	1	16403.00	GLC/GW-100 Control Box
2	1	00470.10	Toggle Switch Rubber Boot
3	3	13417.94	Heater Thermostat (EGO)
4	1	13418.49	Auto- Fill Timer 120V
5	1	00454.06	Power Block 6 Position
6	3	03475.00	Primer Switch - Push Button
7	3	00820.00	Peri Pump Circuit Board
8	1	16504.00	Control Box Lid
9	1	00631.49	Ice Cube Relay 120V, 20A
10	2	00631.00	Ice Cube Relay 120V, 12A
11	3	00820.45	Circuit Board Connector
12	1	00821.10	Transformer 120 V

Not shown 820.10 Circuit Board Spacer Large, and 821.11 Circuit Board Spacer Small

ITEM NO.	NO. REQ'D	P/N	DESCRIPTION
13	3	00815.30	Peri Pump Complete
14	3	00833.00	Gear Motor 12 VDC
15	1	16515.00	Peri Pump Panel
16	3	00830.00	Peri Pump Rotor Assy
17	1	03470.47	Power on-off/ Flush Switch
18	4	00438.00	Snap Bushing Universal 875-11
19	2	00831.00	Squeeze Tube - 45cc
	1	00832.00	Squeeze Tube - 15cc
20	3	13826.47	4-40x3/16 Pan Head Screw
21	3	00820.06	Circuit Board Stand off
22	3	00820.07	Circuit Board Stand off Cap
23	1	13403.28	Fuse 5 Amp Slow Blow
24	1	42020.49	Power Cord 115V, 9 Ft

Inline Fuse Holder, Not Shown, PN13403.21

6.3.4. GW-100 Control Box Assembly P/N 18611.47

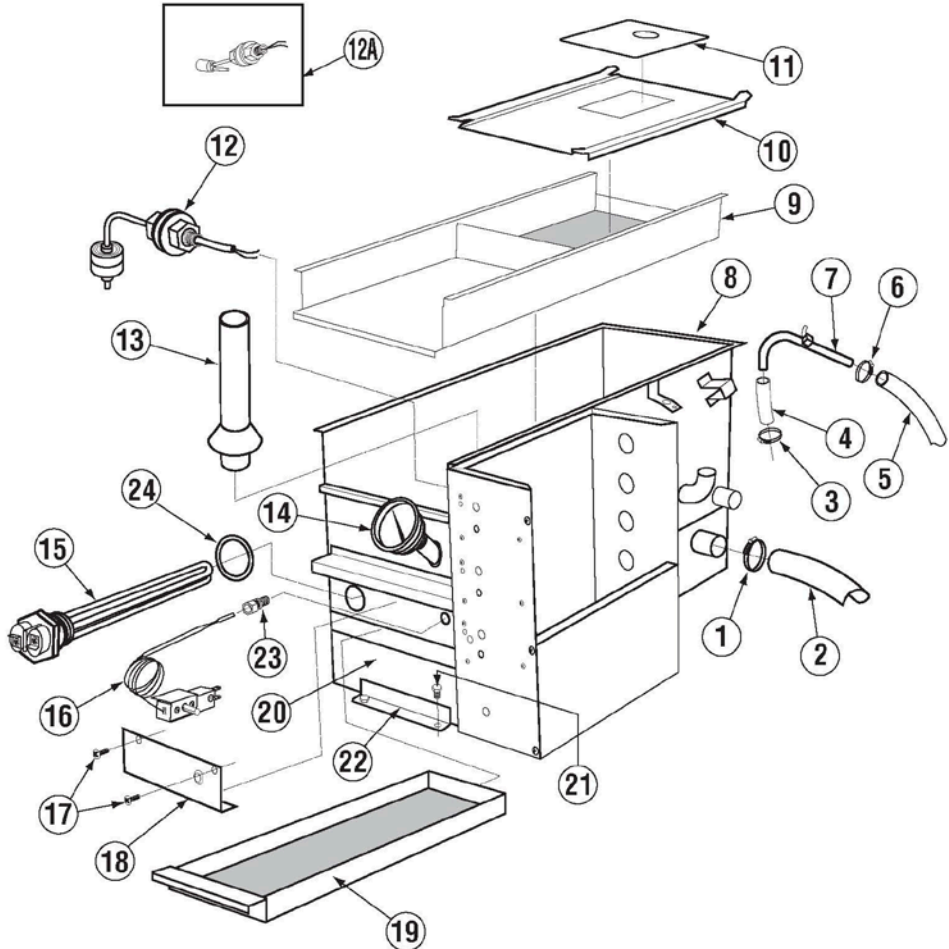


ITEM NO.	NO. REQ'D	P/N	DESCRIPTION
1	1	16403.00	GLC/GW-100 Control Box
2	1	00470.10	Toggle Switch Rubber Boot
3	3	13417.94	Heater Thermostat (EGO)
4	1	13418.49	Auto- Fill Timer 120V
5	1	00454.06	Power Block 6 Position
6	3	03475.00	Primer Switch - Push Button
7	3	00820.00	Peri Pump Circuit Board
8	1	16504.00	Control Box Lid
9	1	00631.49	Ice Cube Relay 120V, 20A
10	2	00631.00	Ice Cube Relay 120V,12A
11	3	00820.45	Circuit Board Connector
12	1	00821.10	Transformer 120 V

ITEM NO.	NO. REQ'D	P/N	DESCRIPTION
13	1	00815.00	Peri Pump Complete
14	1	00818.00	Peri Pump Cover
15	1	16515.00	Peri Pump Panel
16	1	00816.00	Peri Pump Gear Motor
17	1	03470.47	Power on-off/ Flush Switch
18	4	00438.00	Snap Bushing Universal 875-11
19	3	00839.00	GLC Squeeze Tube Clear
	3	00835.30	GLC Squeeze Tube Black
20	3	13826.47	4-40x3/16 Pan Head Screw
21	3	00820.06	Circuit Board Stand off
22	3	00820.07	Circuit Board Stand off Cap
23	1	13403.28	Fuse 5 Amp Slow Blow
24	1	42020.49	Power Cord 115V, 9 Ft

Not shown 820.10 Circuit Board Spacer Large, and 821.11 Circuit Board Spacer Small

6.3.8. Soap Tank Assembly

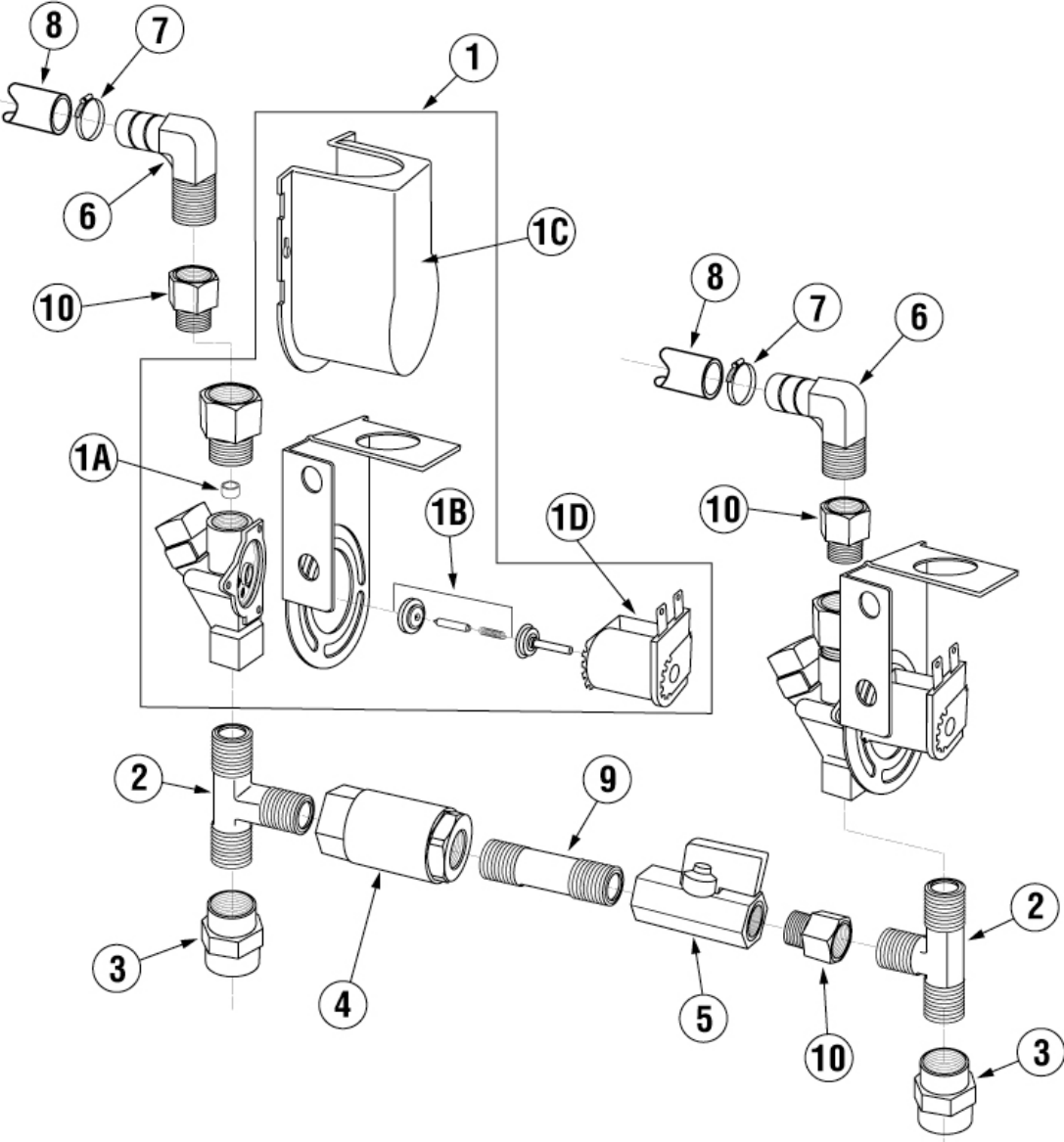


ITEM NO.	NO. REQ'D	P/N	DESCRIPTION
1	1	03101.49	Hose Clamp #24
2	1	03106.40	Ribbed Drain Hose 1 1/2" ID
3	1	03101.00	Hose Clamp # 16 - 1"
4	1	03108.60	Transfer Hose 1" Reinforced
5	1	03106.45	Braided Hose 1/2"
6	1	03101.47	Hose Clamp #6
7	1	05012.00	1/2 Cu Ref Tubing (Per Foot)
8	1	16441.00	Detergent Tank
9	1	16544.00	Detergent Tank Screen
10	1	16543.00	Detergent Tank Rear Cover
11	1	16542.00	Detergent Tank Lid
12	1	13465.50	Float Switch
12A	1	13463.10	S/S Liquid Level Switch *

ITEM NO.	NO. REQ'D	P/N	DESCRIPTION
13	1	16545.50	Overflow Drain Tube
14	1	00120.00	Thermometer Bi Metal
15	1	15417.30	GW-100 Heater 1500 W, 120V
16	1	13417.94	Heater Thermostat (EGO)
17	2	00940.50	10-32 X 3/8" Truss Head Screw
18	1	16522.00	Heater Cover
19	1	16579.20	Drain Screen
20	1	16579.00	Drain Pan
21	2	00906.00	1/4-20 X 1/2" Hexhead Bolt
22	1	16530.50	Tank Support
23	1	40116.00	1/4 Comp X 1/4 MIP Ftg (not shown)
24	1	00703.00	O-ring Gasket

*12A used in the machines built prior to March 2010. Both 12 and 12A must be pointed down (normally closed position) in order to function properly

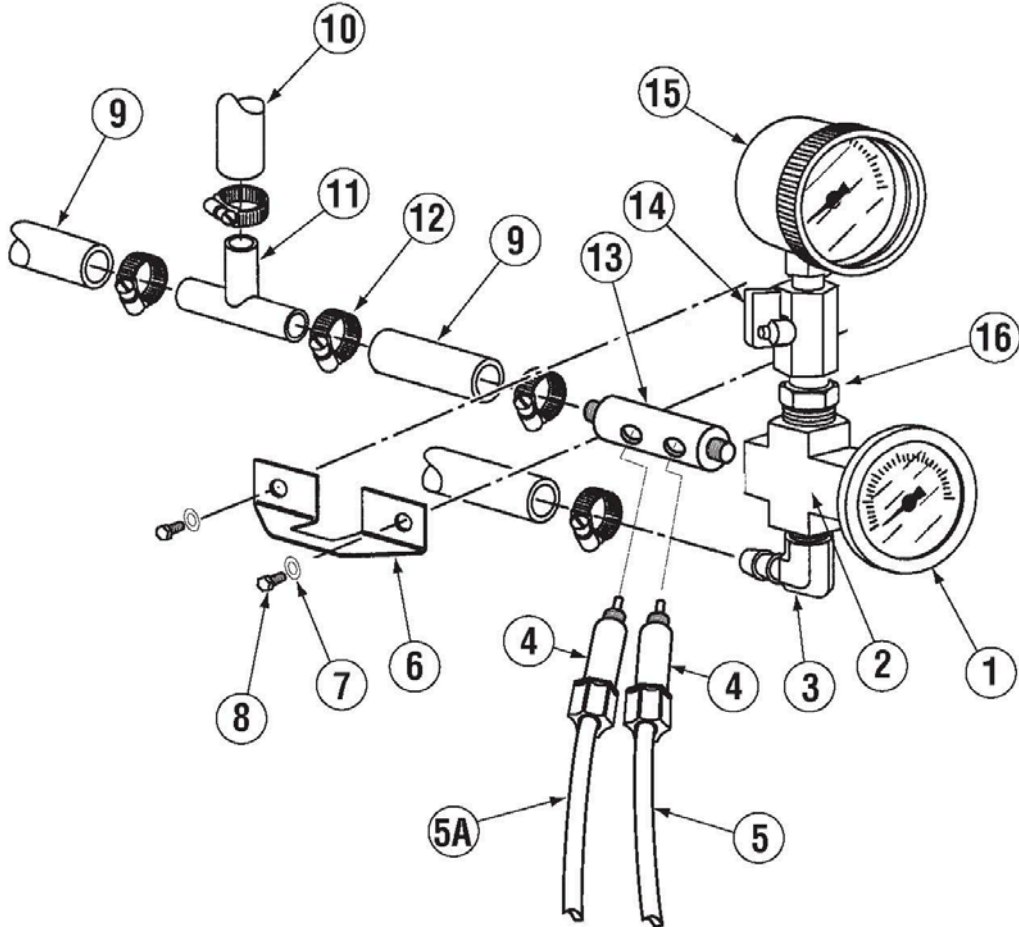
6.3.9. Water Inlet Plumbing



ITEM NO.	NO. REQ'D	P/N	DESCRIPTION
1	2	41015.70	Solenoid Valve 3/8" 220V
		41015.49	Solenoid Valve 3/8" 115V
1A	2	41015.77	Flow Washer
1B	2	41015.40	3/8" Solenoid Valve Repair Kit
1C	2	N/A	3/8" Solenoid Valve Cover
1D	2	41015.60	3/8" Solenoid Valve Coil 115V
2	2	40010.00	3/8" MPT Tee
3	2	40017.00	1/2 x 3/8" FPT Reducer

ITEM NO.	NO. REQ'D	P/N	DESCRIPTION
4	1	00715.47	3/8" Check Valve
5	1	41014.49	3/8" Ball Valve
5a	1	16525.10	Plumbing Strap for #5, NOT SHOWN
6	2	40012.10	1/2 Barb x 3/8" MIP Elbow
7	2	03101.47	Hose Clamp #6
8	1	03106.45	Braided Hose 1/2"
9	1	40019.00	Nipple Brass 3/8 x 2 1/2
10	3	40012.47	Adapter 3/8" FPT X 3/8" MIP

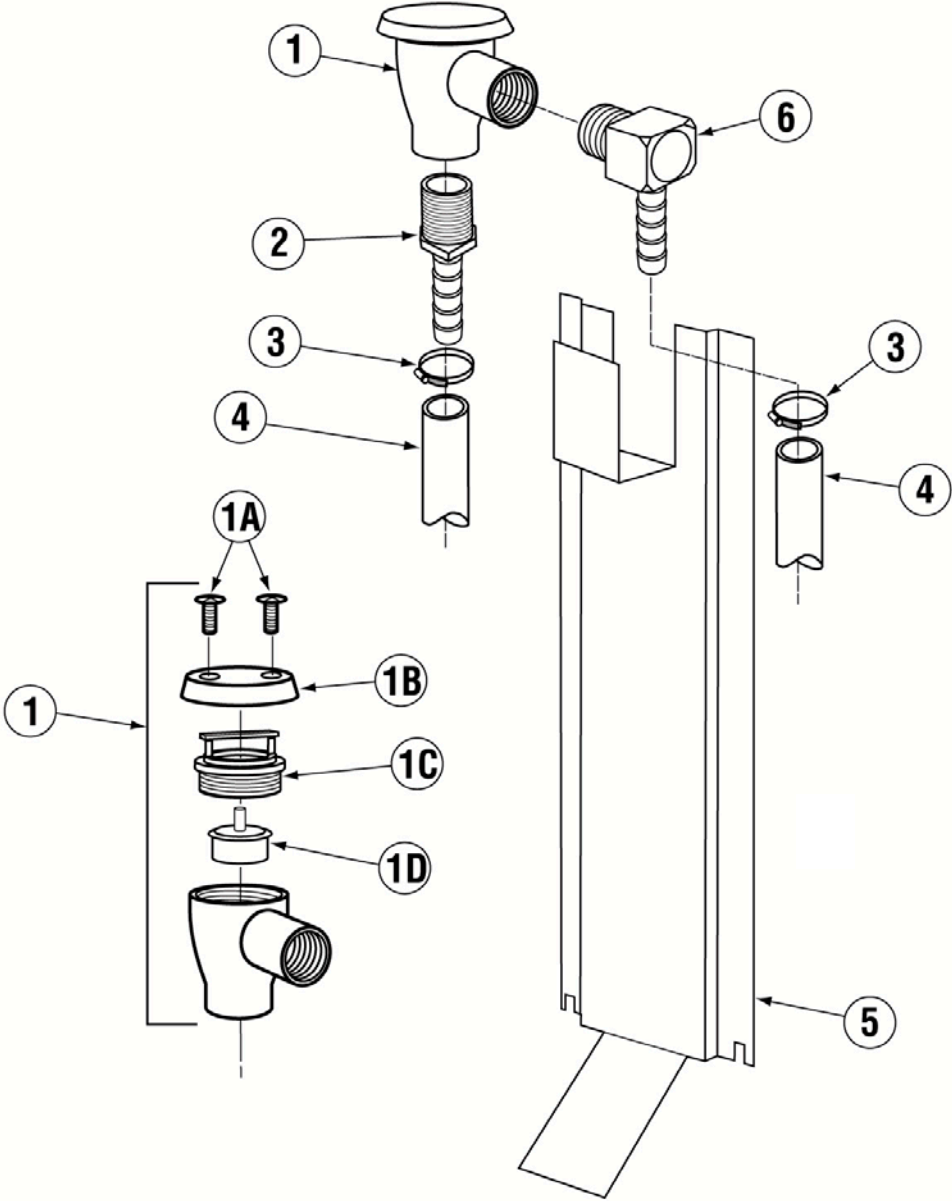
6.3.10. Sanitizer Plumbing Component Hardware



ITEM NO.	NO. REQ'D	P/N	DESCRIPTION
1	1	00120.01	Thermometer
2	2	40011.00	3/8" FPT Cross Connector
3	1	40012.10	3/8" MPT x 1/2" 90° Hose Barb
4	2	13658.00	Chemical Check Valve
5	1	00425.51	Chemical Tubing Blue
5A	1	00425.54	Chemical Tubing White
6	1	16526.00	Gauge Bracket
7	2	00924.00	Lock Washer, 1/4
8	2	00912.00	Nut, 1/4-20

ITEM NO.	NO. REQ'D	P/N	DESCRIPTION
9	1	03106.45	1/2" I.D. Braided Hose
10	1	03106.47	3/8" I.D. Braided Hose
11	1	00434.49	1/2 x 1/2 x 3/8" Tee
12	5	03101.47	7/16" Gear Clamp
13	1	13699.47	Mixing Chamber
14	1	41014.47	1/4" MxF Mini Ball Valve
15	1	13605.00	0-30 PSI Pressure Gauge
16	1	40015.00	3/8 x 1/4" Reducer Bushing

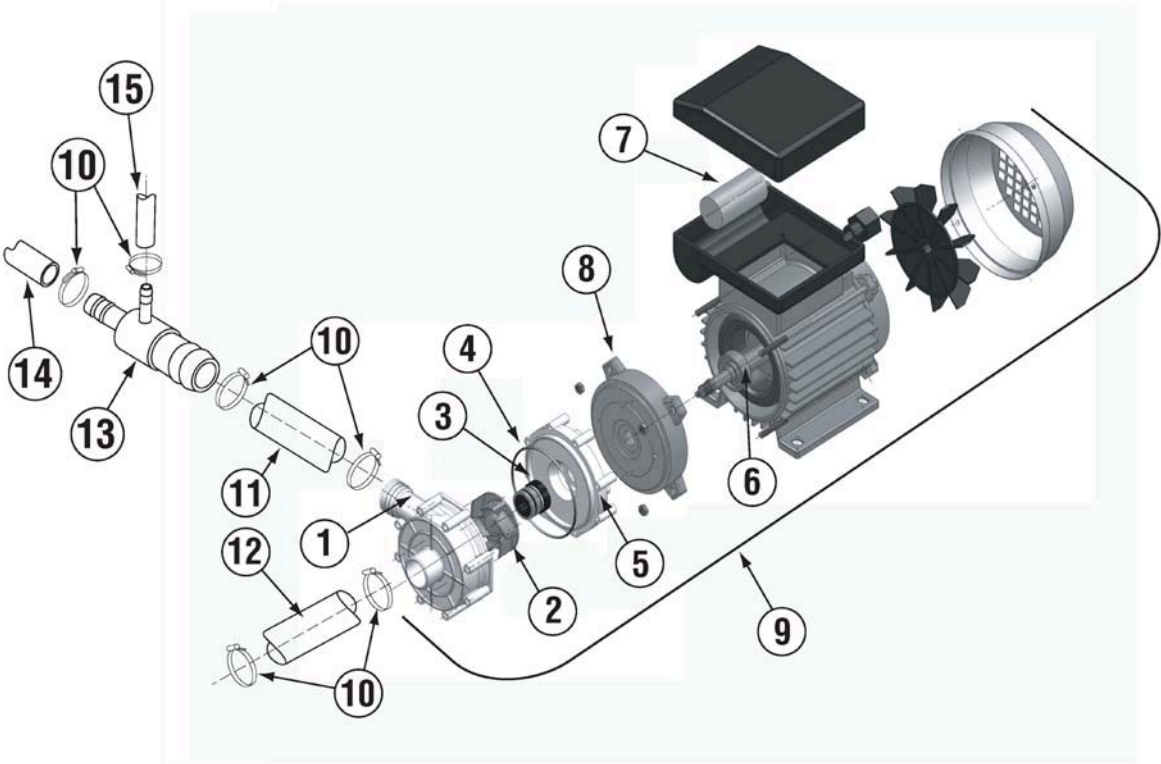
6.3.11. Vacuum Breaker and Hardware



ITEM NO.	NO. REQ'D	P/N	DESCRIPTION
1	1	03624.00	1/2" Vacuum Breaker
1A	2	00421.51	6-32 x 1/4" SS Panhead Screw
1B	1	00739.50	Vacuum Breaker Cap
1C	1	03624.25	1/2" Vacuum Breaker Bonnet
1D	1	03623.00	1/2" Vacuum Breaker Repair Kit

ITEM NO.	NO. REQ'D	P/N	DESCRIPTION
2	1	40014.00	1/2" MPT x 1/2" Hose Barb
3	2	03101.47	7/16" Clamp
4	1	03106.45	1/2" I.D. Braided Hose
5	1	16410.00	Vacuum Breaker Support 2" taller
6	1	40013.00	1/2 Barb x 1/2 MPT 90deg Ell

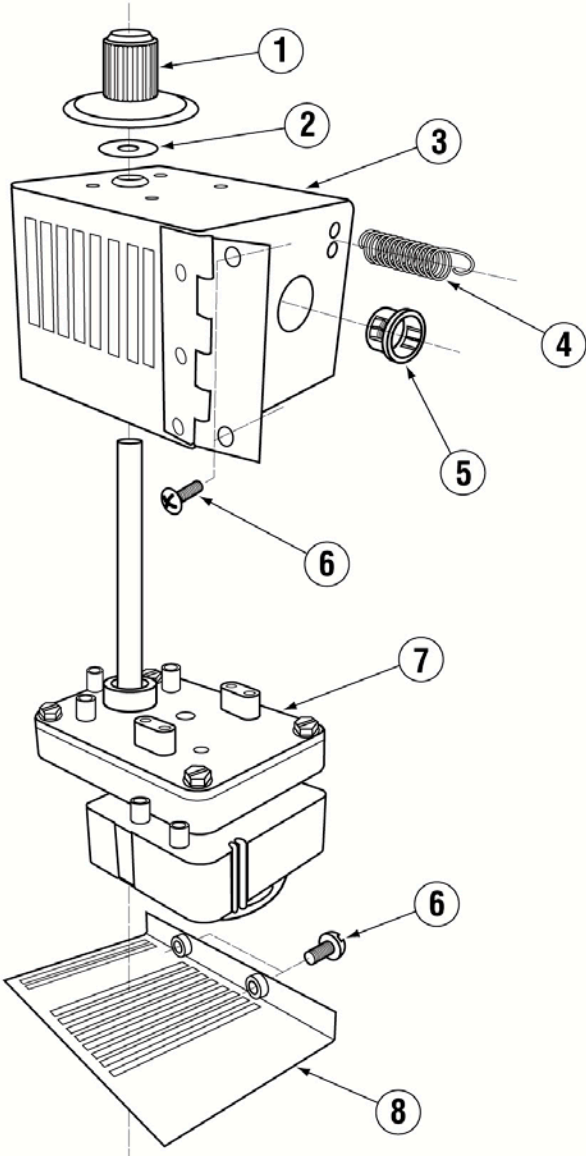
6.3.12. Wash Pump Assembly



ITEM NO.	NO. REQ'D	P/N	DESCRIPTION
1	1	13503.70	Pump Head
2	1	13503.71	Impeller
3	1	13503.72	Seal Kit
4	1	13503.73	Pump O-Ring
5	1	13503.74	Back Plate
6	1	N/A	Motor
7	1	13503.76	Capacitor
8	1	13503.77	Cover

ITEM NO.	NO. REQ'D	P/N	DESCRIPTION
9	1	00201.44	GW-100 Pump – 1ph 115V
10	4	03101.00	Hose Clamp # 16 1"
11	1	03108.66	Transfer Hose 1" – 35"
12	1	03108.69	Transfer Hose 1" – 3-1/2"
13	1	00434.47	Pump Hose Adapter
14	1	03106.45	½" Braided Hose
15	1	03106.47	3/8" Braided Hose

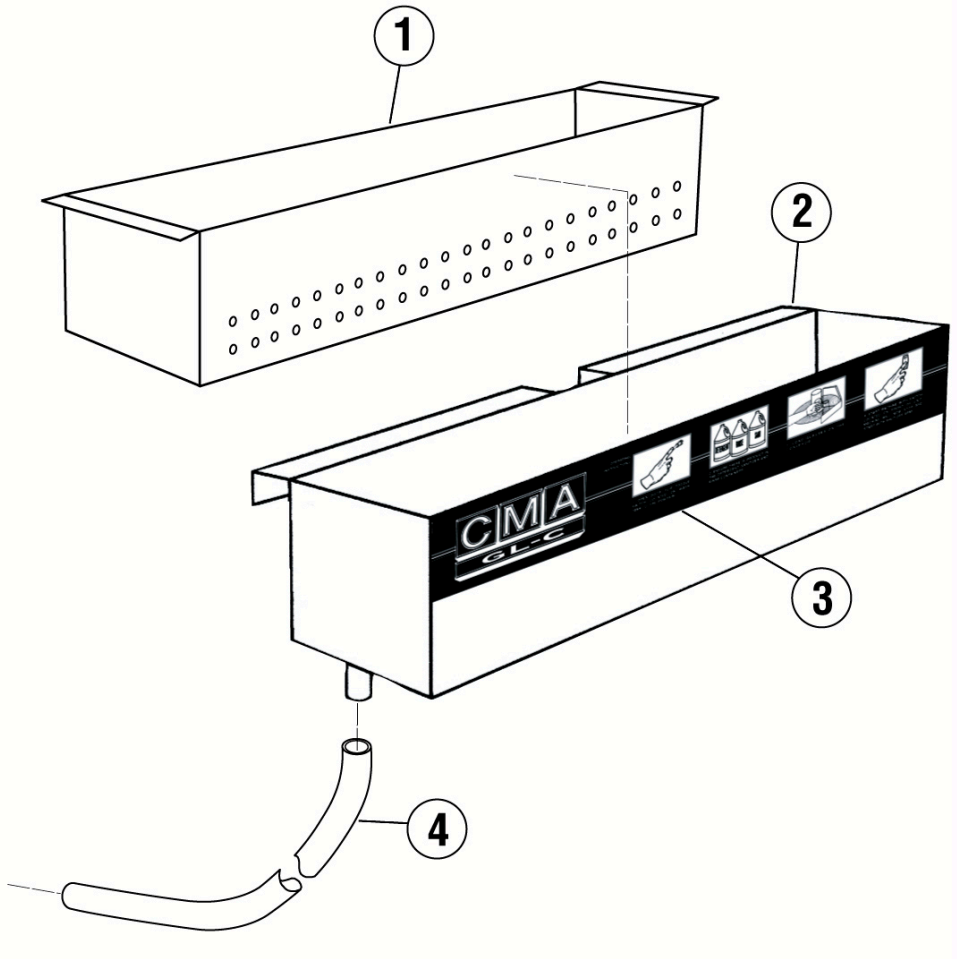
6.3.13. Conveyor Drive Assembly



ITEM NO.	NO. REQ'D	P/N	DESCRIPTION
1	1	14751.00	Drive Gear
2	1	00104.83	VA Drain Motor Shaft Gasket
3	1	16570.50	Drive Motor Housing
4	1	00811.47	Extension Spring

ITEM NO.	NO. REQ'D	P/N	DESCRIPTION
5	1	00438.00	Snap Bushing Universal 875-11
6	4	00940.50	Screw, 10-32 x 3/8"
7	1	00810.49	Drive Motor 115V
8	1	16570.60	Drive Motor Housing Cover

6.3.14. Scrap Collector Assy. GLC P/N 16565.00/GW-100 P/N 16565.50



ITEM NO.	NO. REQ'D	P/N	DESCRIPTION
1	1	16562.00	Waste Collector Screen
2	1	16560.00	Waste Collector Tray
3	1	06231.48	Carousel Label
4	1	03106.51	Clear Vinyl Tubing 1/2" ID x 3/4"OD
5	1	00899.01	Cleaning Drill not shown
6	1	00899.02	Cleaning Brush not shown

7. GW-100 Electrical Diagram

