



# MODEL H-1X PARTS MANUAL

Rev 1.00 11-15-24



**CMA DISHMACHINES**  
**17707 VALLEY VIEW AVE**  
**CERRITOS, CALIFORNIA 90703**

**800-854-6417**

FAX 714-895-2141

[www.cmadishmachines.com](http://www.cmadishmachines.com)

[Buy Parts](#)

# TABLE OF CONTENTS

## MODEL CMA H-1X

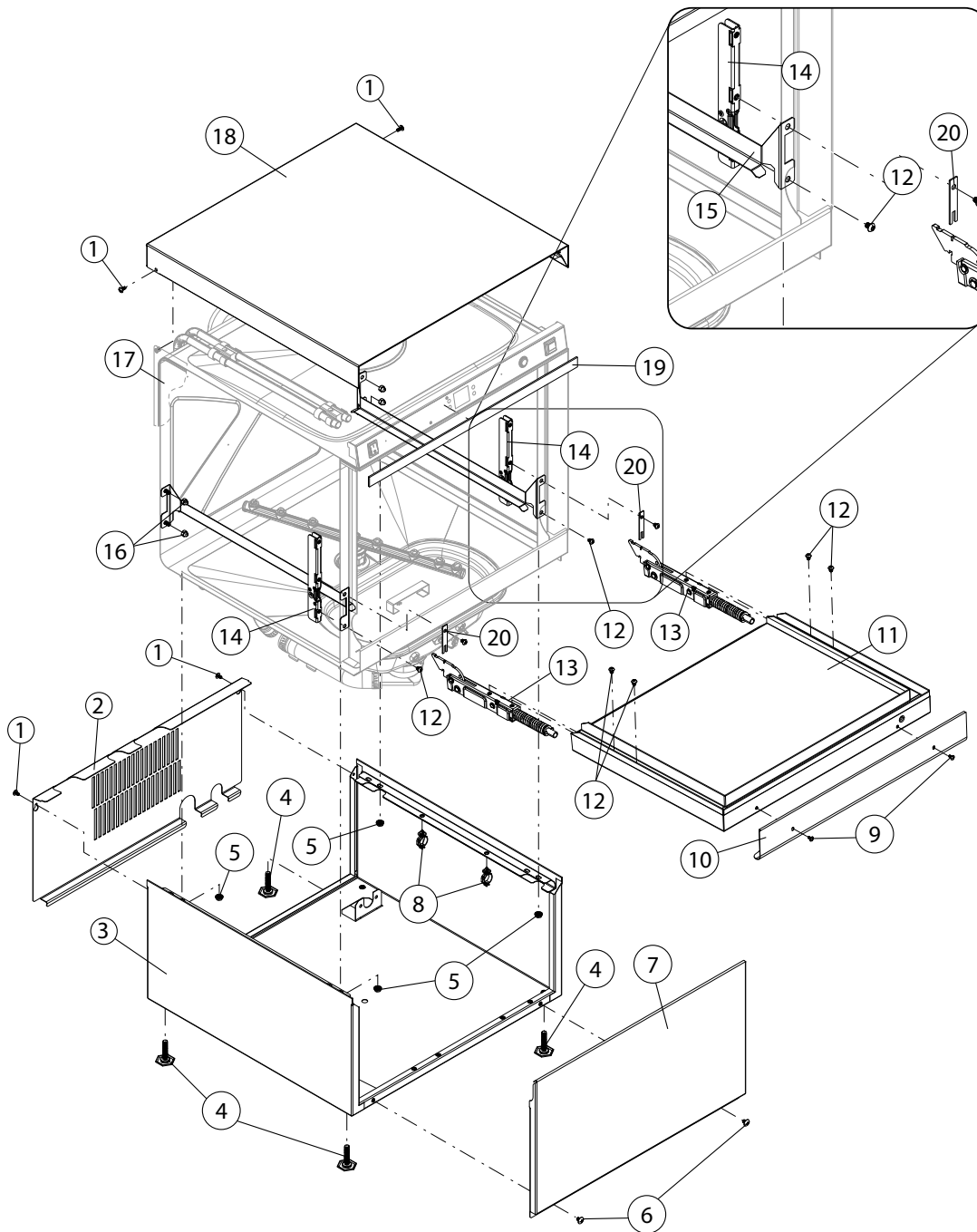
### PARTS MANUAL

Panels and Door.....	4
Rear Plumbing.....	5
Sump .....	7
Booster.....	6
Power Wiring Block .....	8
Control Panel.....	9
Pump and Motor.....	10
Spray Arm Manifold.....	11
Spray Arm Assembly .....	12
Chemical Pumps.....	13 & 14
Optional Chemical Alarm.....	15
Dish Racks .....	16

## *Initial Parts Kit*

P/N	DESCRIPTION	Qty
<a href="#">02107.65</a>	Drain Pump	1
<a href="#">02107.73</a>	Switch, Reed Aleph	1
<a href="#">02107.78</a>	Heater, Wash Tank	1
02107.07	Heater, 5kW/220V	1
<a href="#">02107.08</a>	Thermistor, Probe Assm	1
<a href="#">02103.19</a>	Thermostat, High Limit 240f	1
<a href="#">02107.13</a>	Valve, Water Inlet 220V H-1X Series	1
02107.06	Contact, 3 Pole 220VAC Coil	1
<a href="#">02107.15</a>	Switch, Rocker DPST 250V Neon	1
<a href="#">02107.21</a>	Kit, Control Board	1
<a href="#">02103.51</a>	Contact, Switch Momentary (N.O.)	1
<a href="#">02103.10</a>	Pump Motor Assm, 220V	1
<a href="#">02107.39</a>	Spray Arm, H-1X Complete Assembly	1
02107.33	End Cap, Spray Arm, H-1X	1
<a href="#">00415.20</a>	Chemical Pump Assm 220V	1
<a href="#">02257.00</a>	Squeeze Tube, Norprene 8"	1

# Panels and Door

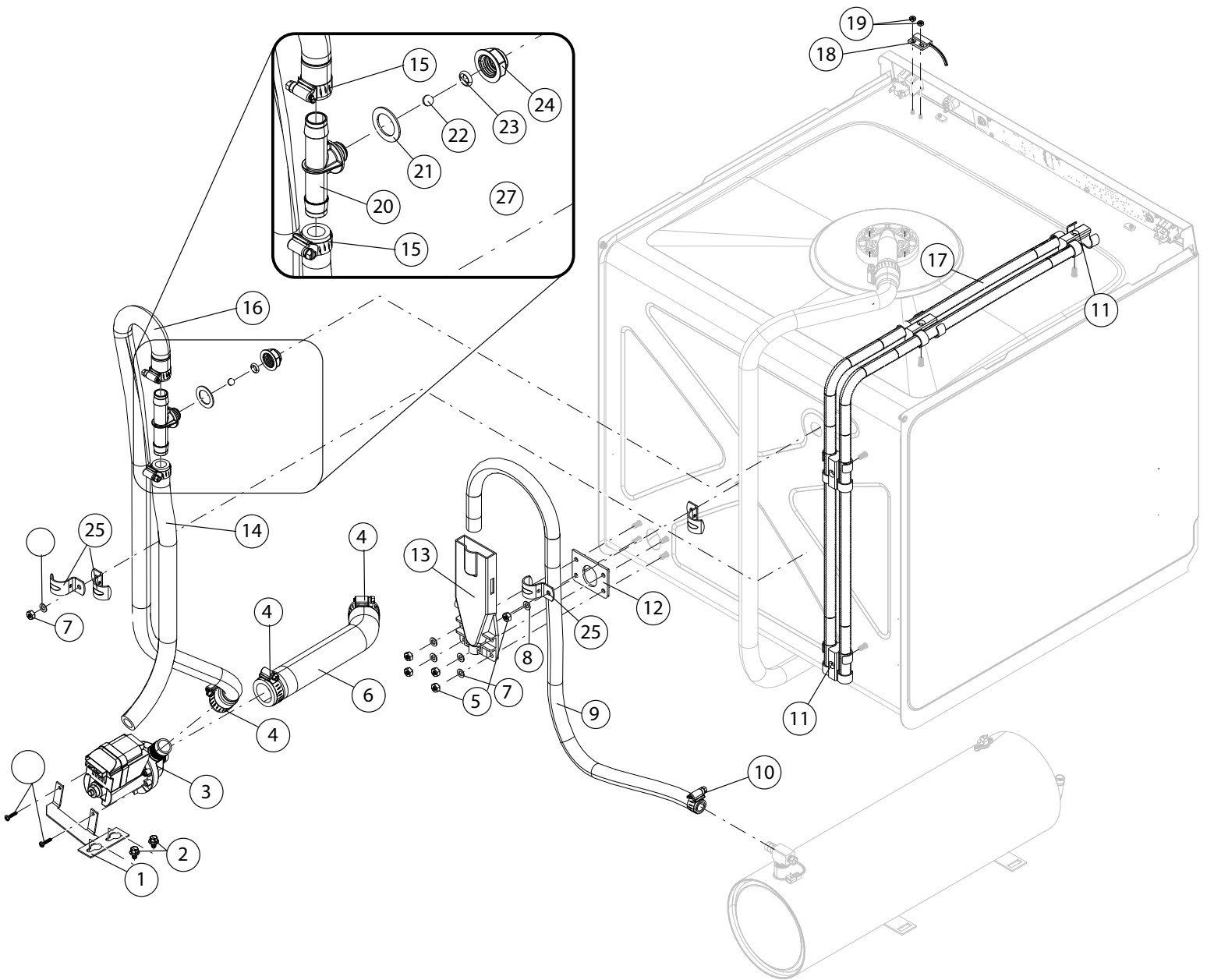


ITEM NO.	NO. REQ'D	P/N	DESCRIPTION
1	4	00940.50	Screw, Truss Slot SS 10-32x3/8"
2	1	02107.46	Panel, Rear
3	1	02107.47	Weldment, Base
4	4	02104.67	Foot, Adjusting
5	4	02107.48	Nut 1/4-20 WH Serrated SS
6	2	00905.00	Screw, 1/4-20x5/8" Truss SS Phil
7	1	02107.50	Panel, Front
8	2	02107.51	Cord Clip 5/8" Push Mount
9	2	02107.52	Screw, 8-32x3/8" Truss HD
10	1	02107.53	Handle, Door
11	1	02107.54	Weldment, Door

ITEM NO.	NO. REQ'D	P/N	DESCRIPTION
12	4	02107.55	Screw, RH Hex SS 1/4-20x5/16"
13	2	02107.56	Hinge, Door
14	2	02107.57	Bracket, Door Hinge Receiver
15	2	02107.58	Rail, Tray
16	4	13822.00	Nut, Acorn 1/4-20
17	1	02107.59	Weldment, Wash Tank
18	1	02107.60	Panel, Top
19	1	02107.61	Gasket, Door 23-5/8" Lg Gray Silicon
20	2	02107.62	Plate, Locking Hinge
---	1	02107.63	Assm, Door Incl #9, 10 & 11
---	1	02107.64	Assm, Door Incl #9, 10, 11, 12, 13

H-1X Door Magnet PN02107.18

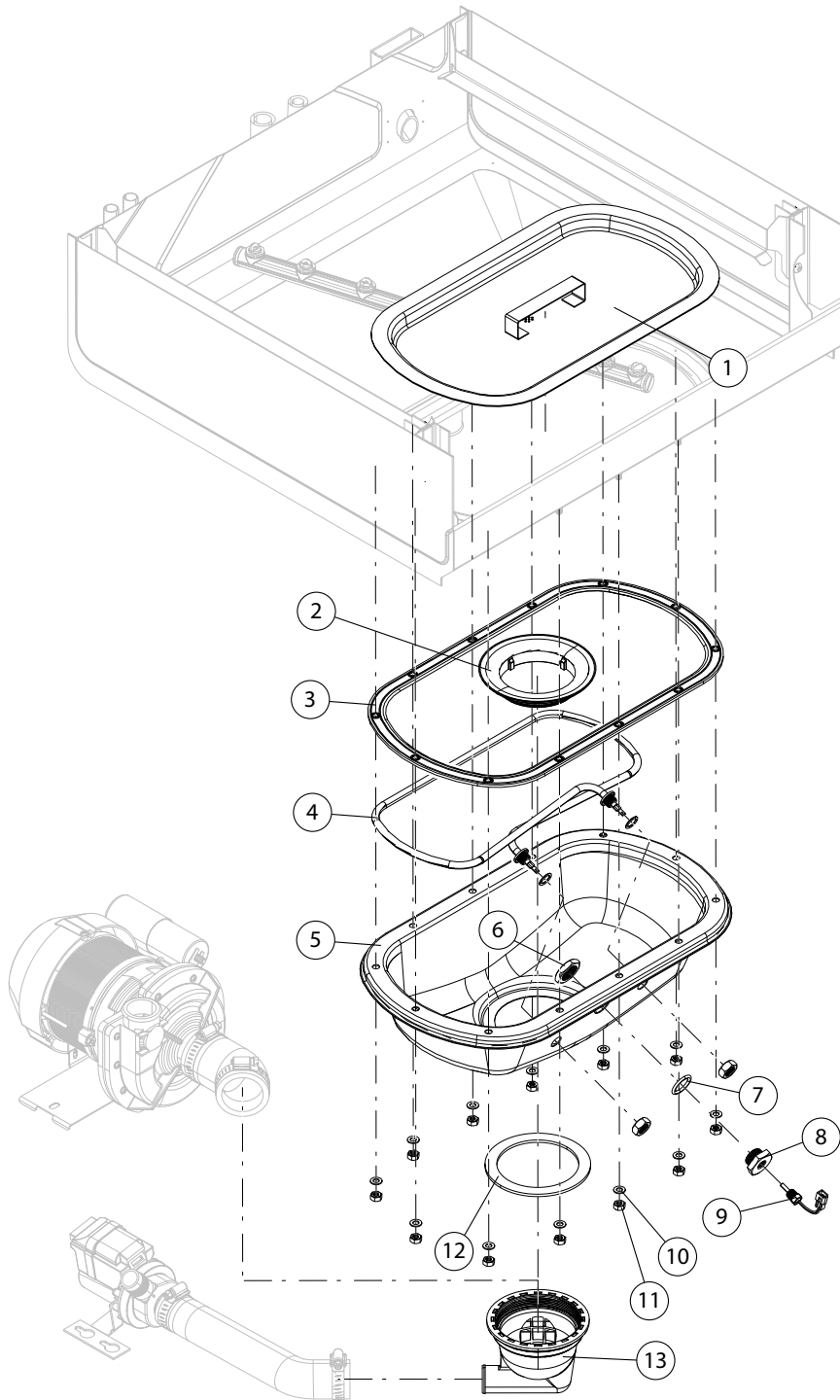
# Rear Plumbing



ITEM NO.	NO. REQ'D	P/N	DESCRIPTION
1	1	02104.06	Bracket, Drain Pump
2	2	02103.16	Bolt, Hex Flange 1/4-20 x 3/8 SS
3	1	<a href="#">02107.65</a>	Drain Pump
4	3	<a href="#">03101.00</a>	Clamp, Hose Gear
5	5	<a href="#">00912.00</a>	Nut, 1/4-20 W/ Nylon Insert SS
6	1	02107.66	Hose, Drain Pump
7	5	<a href="#">00924.00</a>	1/4" SS Washer
8	2	02107.67	Washer 17/64 x 1/2 x 0.32 14S
9	A/R	02107.68	Hose, Rubber 1/2"ID x 0.84"OD
10	1	<a href="#">03101.47</a>	Clamp, SS Gear Min 1/2"
11	2	N/A	Clamp, Double Conduit
12	1	<a href="#">02107.69</a>	Gasket, Inlet Chute
13	1	<a href="#">02107.70</a>	Chute, Inlet
14	A/R	<a href="#">02107.71</a>	Hose, 5/8"ID x 1"OD PVC Braided

ITEM NO.	NO. REQ'D	P/N	DESCRIPTION
15	2	<a href="#">03101.00</a>	Clamp, Hose Gear SS 3/4-1 1/2" #16
16	1	<a href="#">02106.19</a>	Drain Hose
17	A/R	<a href="#">02107.72</a>	Conduit 1/2"
18	1	<a href="#">02107.73</a>	Switch, Reed Aleph
19	2	02103.27	Nut, Grip 6-32 W/ Nylon Insert
20	1	N/A	Anti Siphon Body
21	1	N/A	Washer, Silicon 7/8"IDx1-5/16ODx1/16
22	1	N/A	Ball 3/8" Diameter SS
23	1	N/A	O-Ring 5/16"ID x 9/16"OD x 1/8"
24	1	N/A	Anti Siphon Valve Nut
25	3	00725.40	Clamp, EMT 1/2"
26	2	02107.74	Screw, #8x1/2" Self Tapping
27	1	<a href="#">02106.50</a>	Anti Siphon Valve Assm

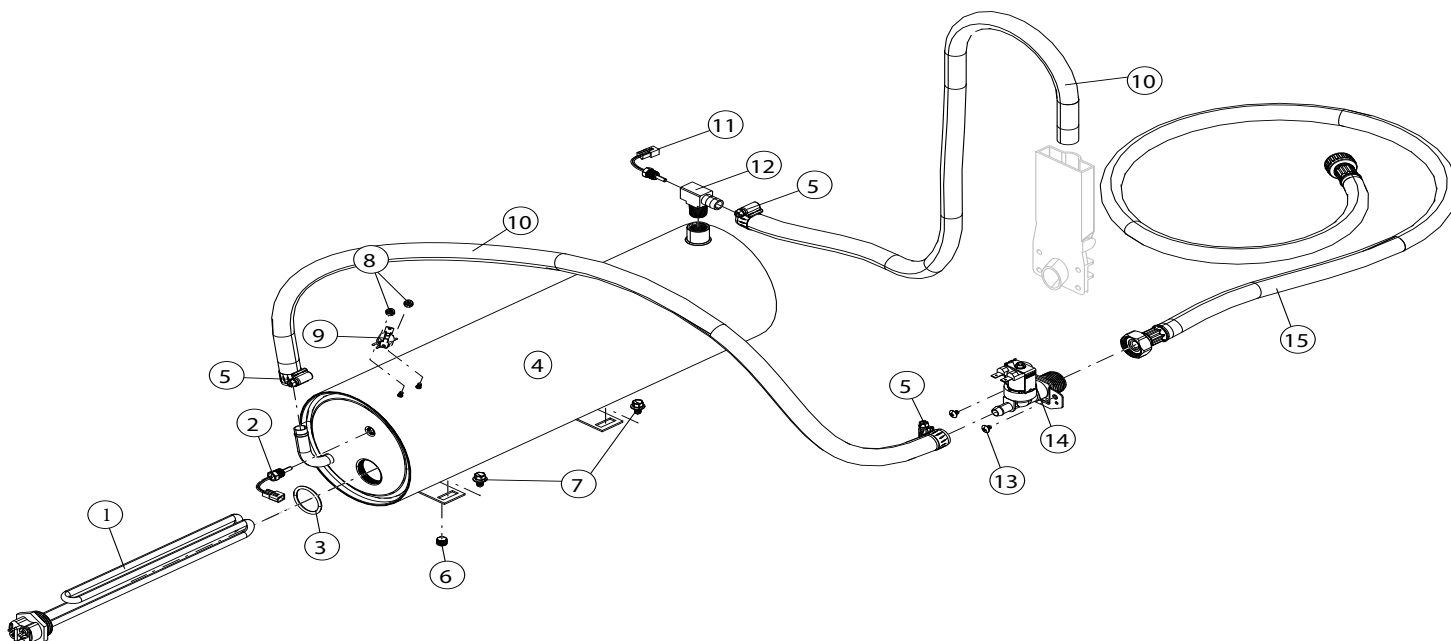
# Sump



ITEM NO.	NO. REQ'D	P/N	DESCRIPTION
1	1	02107.75	Scrap Screen
2	1	<a href="#">02107.76</a>	Pump Suction Ring
3	1	02107.77	Gasket, Upper Sump
4	1	<a href="#">02107.78</a>	Heater, Wash Tank
5	1	02107.79	Sump Bowl
6	1	02107.80	Locknut 1/2" NPT NP
7	1	<a href="#">02104.21</a>	O-Ring

ITEM NO.	NO. REQ'D	P/N	DESCRIPTION
8	1	02107.81	Adaptor, Thermistor
9	1	<a href="#">02107.08</a>	Thermistor
10	12	02107.83	Washer 17/64"x1/2"x0.32 14S
11	12	<a href="#">00912.00</a>	Nut, 1/4-20 W/Nylon Insert SS
12	1	<a href="#">02107.84</a>	Gasket, Lower Sump
13	1	<a href="#">02107.85</a>	Pump Suction Elbow

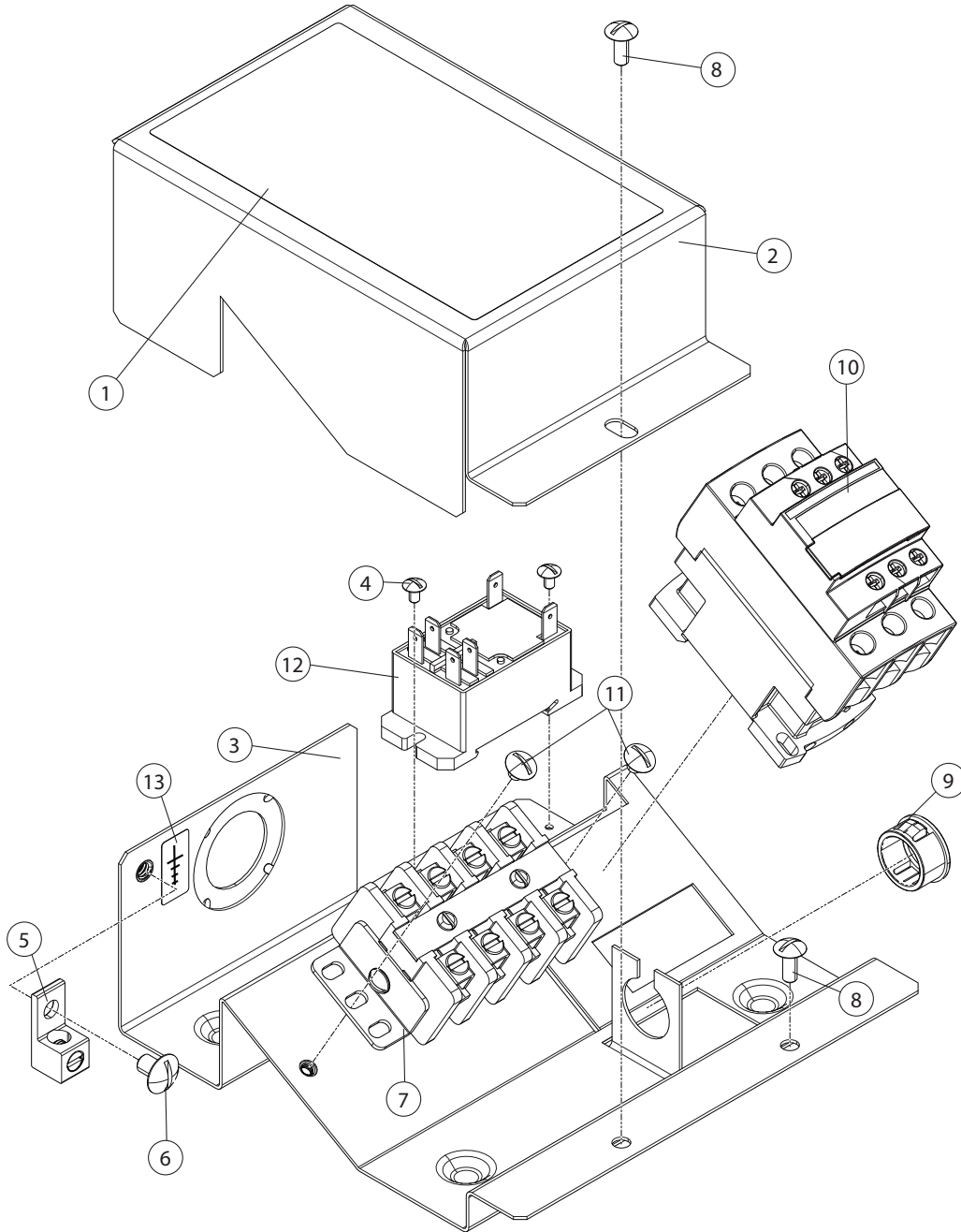
# Booster



ITEM NO.	NO. REQ'D	P/N	DESCRIPTION
1	1	02107.07	Heater, 5kW/220V
2	1	02107.08	Thermistor
3	1	02103.14	Gasket
4	1	02106.01	Booster, Welded ASSM
5	1	02103.21	Clamp, SS Gear-Min. 1/2"
6	1	02107.09	Plug, 1/8 Hex Countersunk SS
7	2	02103.16	Bolt, Hex Flange, 1/4-20x3/8" SS
8	2	00965.00	Nut, Grip 6-32 W/Nylon Insert SS

ITEM NO.	NO. REQ'D	P/N	DESCRIPTION
9	1	02103.19	Thermostat, High Limit 240f
10	A/R	03107.50	Hose, Rubber 1/2"x0.84" OD
11	2	02107.08	Thermistor
12	1	02107.11	Tee, Rinse
13	2	02107.12	Screw, M4x12MM SS Extra Wide Phil.
14	1	02107.13	Valve, Water Inlet 220V H-1X Series
15	1	N/A	Hose, 1/2"

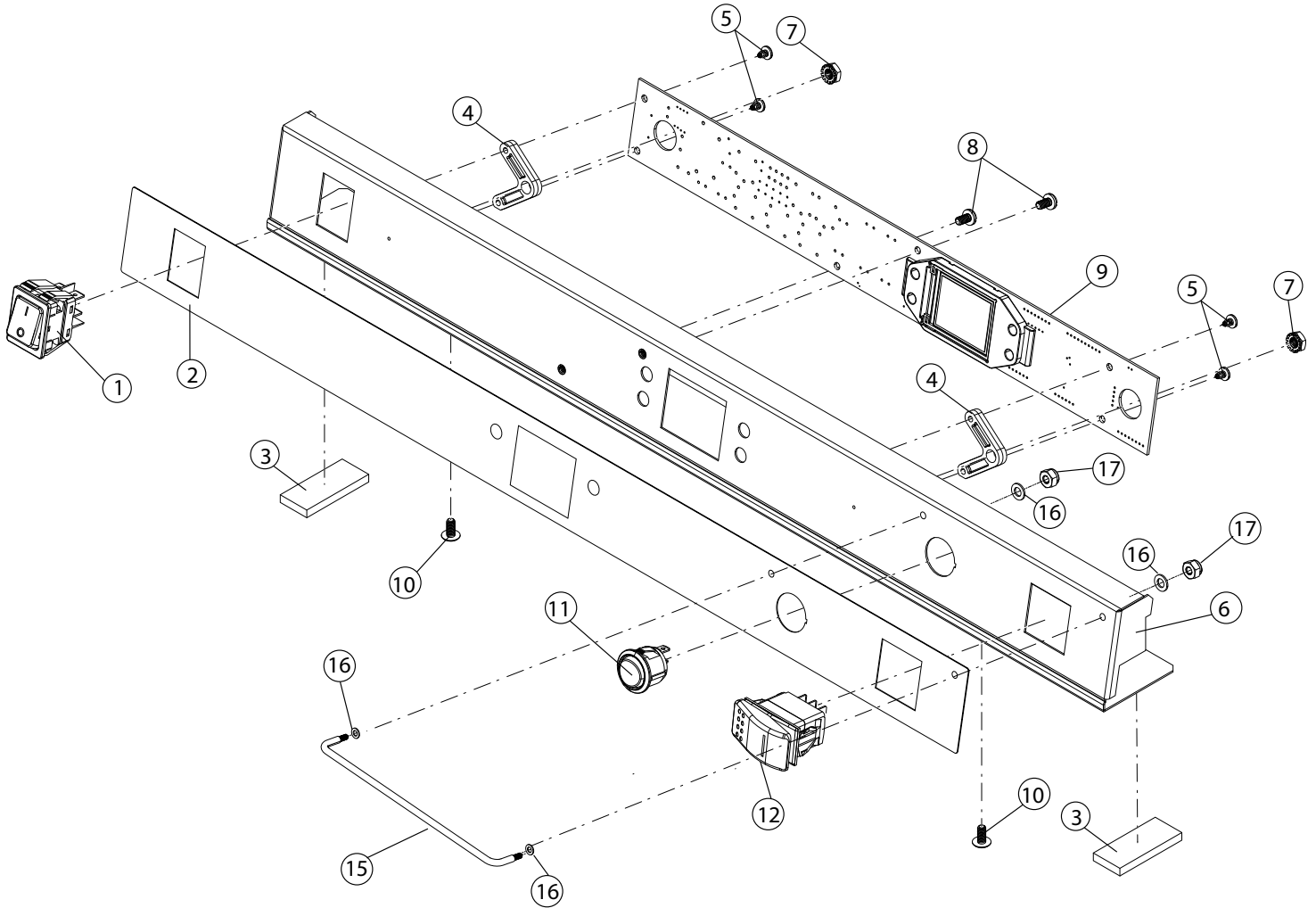
# Power Wiring Box



ITEM NO.	NO. REQ'D	P/N	DESCRIPTION
1	1	<a href="#">02106.02</a>	Label, Connection Box
2	1	<a href="#">02106.03</a>	Cover, Box Wiring
3	1	<a href="#">02106.04</a>	Box, Wiring
4	2	<a href="#">00421.51</a>	Screw, 6-32 X 1/4"
5	1	<a href="#">13426.50</a>	Lug, Ground
6	1	<a href="#">00905.82</a>	Screw, 1/4-20 X 3/8"
7	1	<a href="#">02106.05</a>	Block, Terminal 4-Pole

ITEM NO.	NO. REQ'D	P/N	DESCRIPTION
8	2	<a href="#">00940.50</a>	Screw, 10-32 X 3/8" Truss Head
9	1	<a href="#">02106.15</a>	Bushing, Strain Relief, Small
10	1	<a href="#">02107.06</a>	Contact, 3-Pole 220VAC Coil
11	2	<a href="#">00940.00</a>	Screw, 10-32 X 1/4"
12	1	<a href="#">02107.86</a>	Relay, DPDT, 30A, 220VAC Coil
13	1	<a href="#">43078.01</a>	Label, Ground

# Control Panel

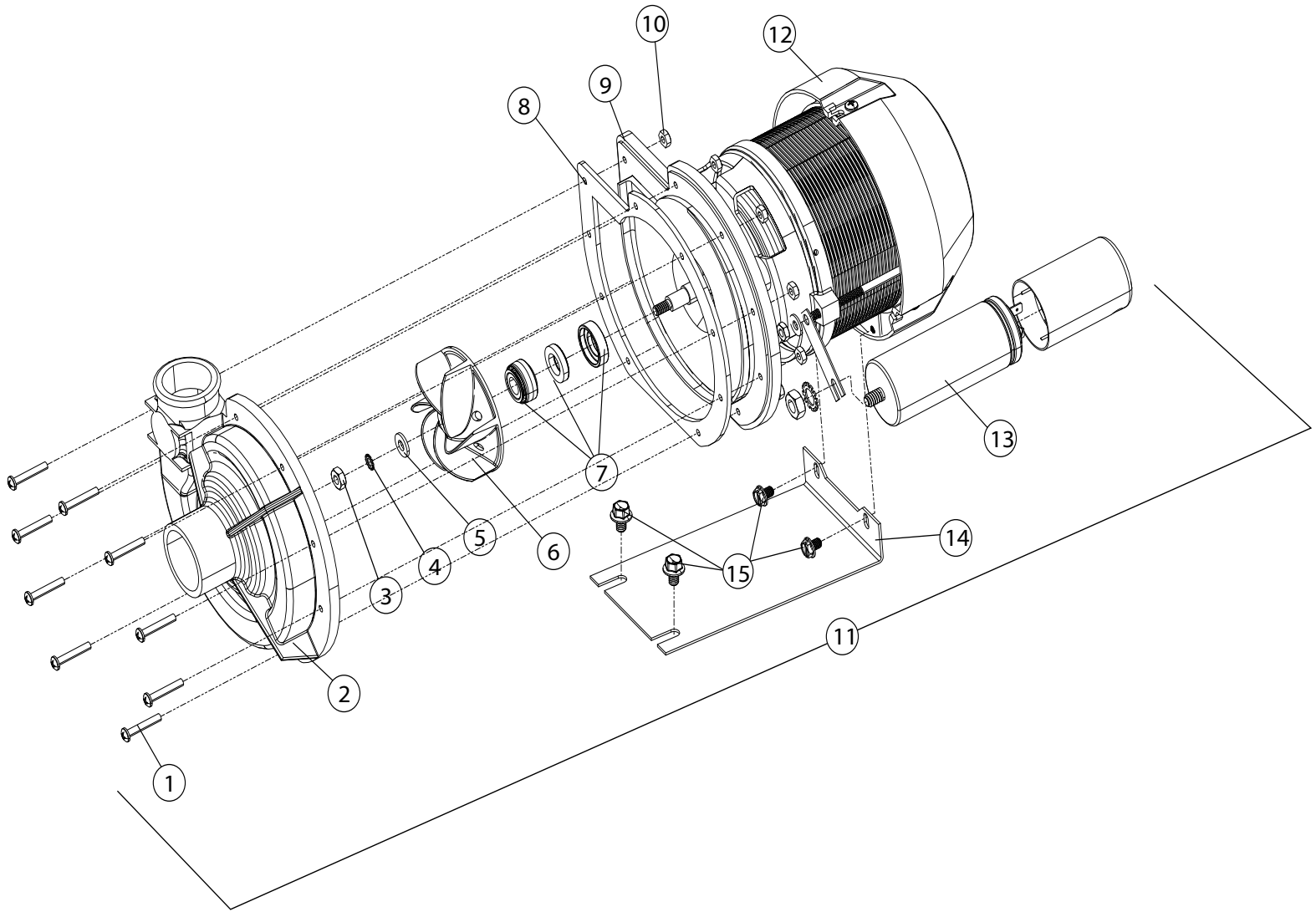


ITEM NO.	NO. REQ'D	P/N	DESCRIPTION
1	1	<a href="#">02107.15</a>	Switch, Rocker DPST 250V Neon
2	2	02107.16	Label, Facia H-1X
3	2	02103.58	Gasket, Steam
4	2	02107.17	Standoff, LED Display Board
5	4	02104.91	Screw, 6-18x1/4" Panhead Phil SS
6	1	02107.19	Panel, Facia H-1X
7	2	02104.68	Nut, 10-32
8	2	02107.20	Screw, #8 x 3/8"
9	1	<a href="#">02107.21</a>	Kit, Control Board
10	1	<a href="#">00911.10</a>	Screw, 8-32x3/8 Truss HD

ITEM NO.	NO. REQ'D	P/N	DESCRIPTION
11	1	<a href="#">02103.57</a>	Prime Switch
12	1	<a href="#">15523.00</a>	Contact, Switch Momentary (N.O.)
13	1	<a href="#">02103.52</a>	Housing, Push Button Switch
14	1	<a href="#">02103.53</a>	Push Button, Green
15	1	<a href="#">03485.00</a>	Switch Guard
16	4	04086.00	#10 Washer
17	2	<a href="#">03801.00</a>	10-32 Lock Nut
---	1	<a href="#">02107.22</a>	Harness, Start & Door - NOT SHOWN
---	1	02107.23	Harness, Sensor - NOT SHOWN
---	1	02107.87	Harness, Main - NOT SHOWN

Fuses, Not Shown; 1/16A PN02107.89; 4A PN02107.90

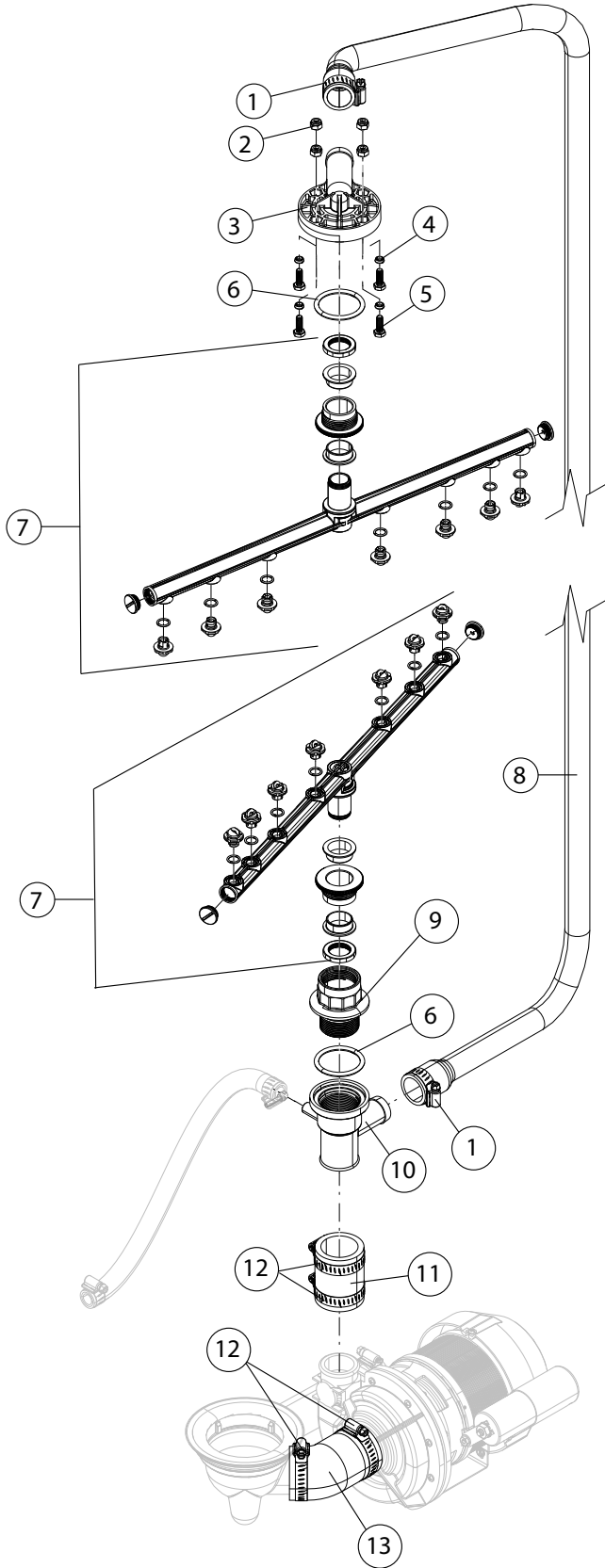
# Pump and Motor



ITEM NO.	NO. REQ'D	P/N	DESCRIPTION
1	9	<a href="#">02103.01</a>	Screw, M4, Phil, Pan Head
2	1	02103.02	Impeller Housing Cover
3	1	02107.01	Nut, M6 (Left-hand thread)
4	1	02103.04	1/4" Lock Washer
5	1	02103.05	17/64" Plain Washer
6	1	<a href="#">02107.02</a>	Impeller
7	1	<a href="#">02103.07</a>	Pump Seal
8	1	<a href="#">02103.30</a>	Pump Gasket
9	1	02107.03	Pump Backing Plate

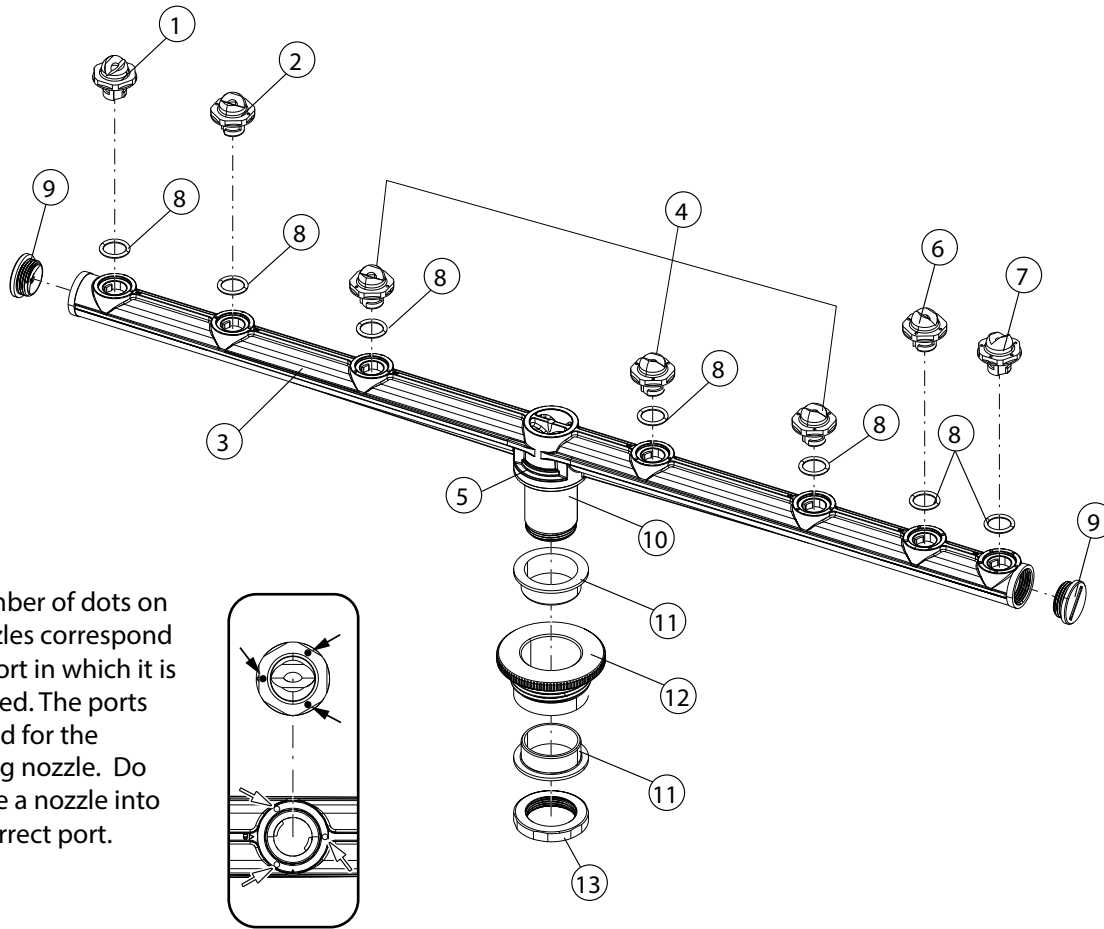
ITEM NO.	NO. REQ'D	P/N	DESCRIPTION
10	9	<a href="#">02103.08</a>	Nut, M4
11	1	<a href="#">02103.10</a>	Pump Motor Assm, 220V
12	1	<a href="#">02103.37</a>	Motor Fan Cover
13	1	<a href="#">02103.11</a>	Capacitor, 16 $\mu$ F
14	1	02107.04	Wash Pump Bracket
15	2	02107.05	Bolt, Hex Flange 1/4-20 X 3/8" SST
***		<a href="#">02103.10</a>	Motor unavailable as separate part

# Spray Arm Manifold

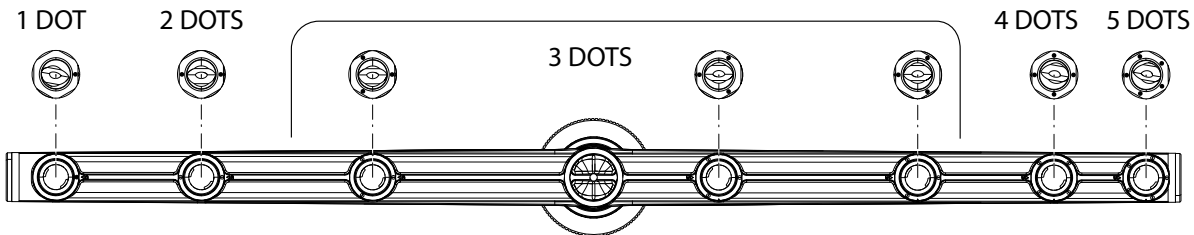


ITEM NO.	NO. REQ'D	P/N	DESCRIPTION
1	2	<a href="#">03101.00</a>	Clamp, Hose Gear Hose 1-1/2" SS
2	2	<a href="#">00912.00</a>	Nut, Hex SS 1/4-20 Nylon Insert
3	1	02107.40	Hub, Upper Spray Arm
4	4	02103.88	Washer, Nylite
5	4	<a href="#">00914.00</a>	Bolt 1/4-20 x 3/4" Hex Head
6	1	<a href="#">02103.83</a>	O-Ring, 2-1/8"OD x 1-3/4"ID x 3/16"
7	2	<a href="#">02107.39</a>	Spray Arm, H-1X Complete Assembly
8	1	<a href="#">02103.81</a>	Hose, Upper Spray Arm
9	1	<a href="#">02107.42</a>	Hub, Lower Spray Arm
10	1	02107.43	Manifold, Pump
11	1	02107.44	Hose, Pump Discharge
12	4	02104.10	Clamp, Hose Gear 1x13/16" - 2x3/4" SS
13	1	02107.45	Hose, Pump Suction

# Spray Arm Assembly



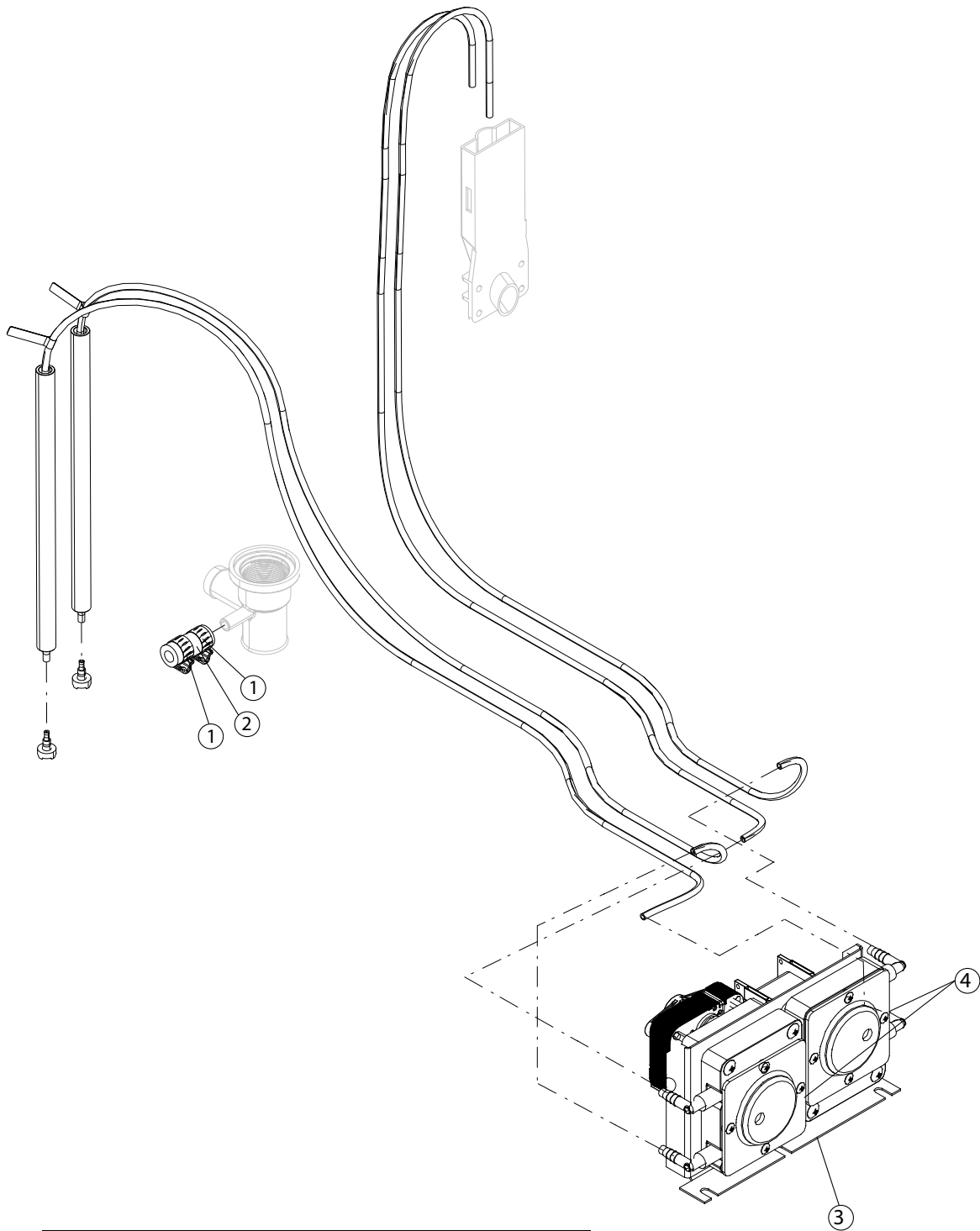
The number of dots on the nozzles correspond to the port in which it is assembled. The ports are keyed for the matching nozzle. Do not force a nozzle into the incorrect port.



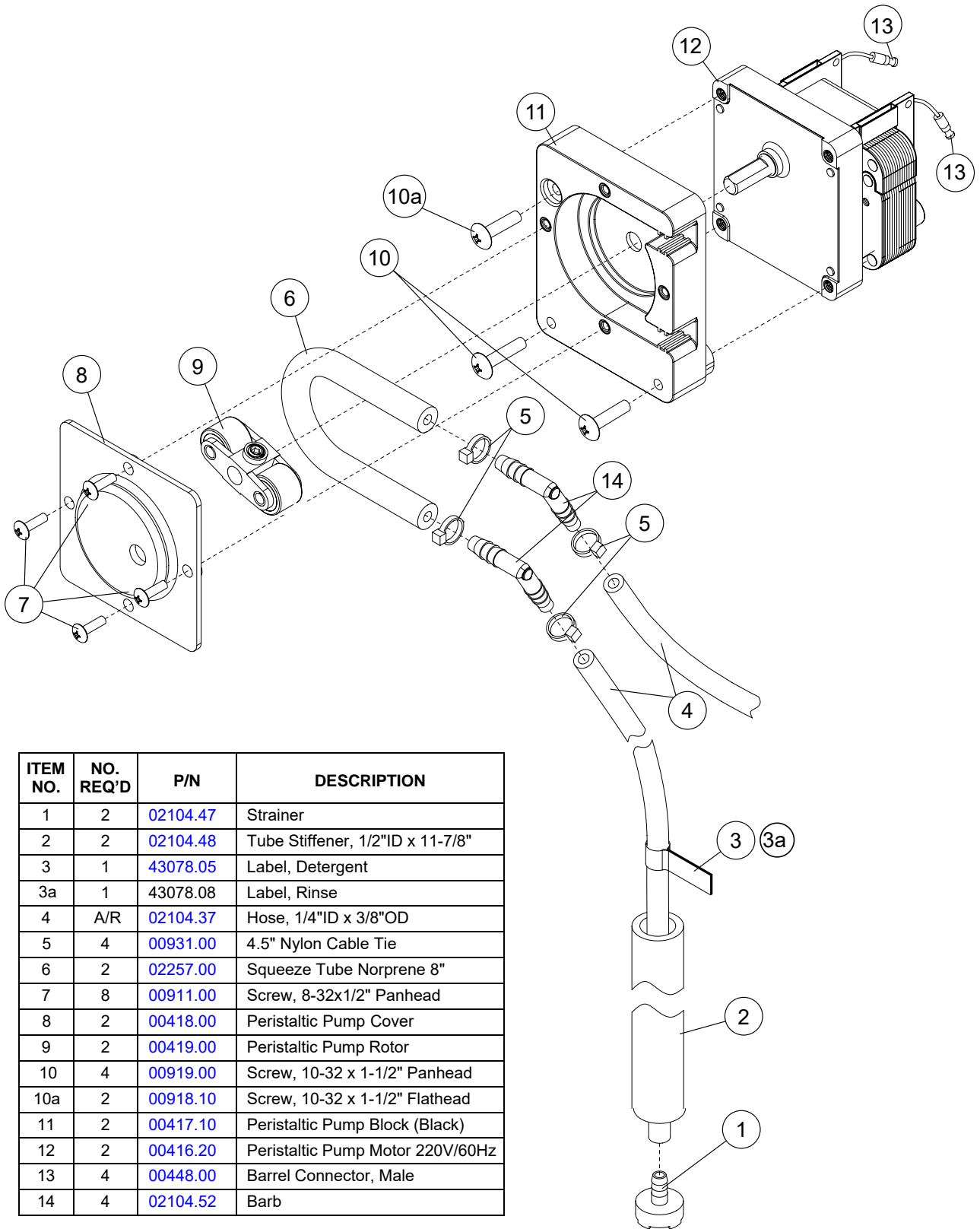
ITEM NO.	NO. REQ'D	P/N	DESCRIPTION
1	1	N/A	Nozzle 1, Spray Arm, H-1X
2	1	N/A	Nozzle 2, Spray Arm, H-1X
3	2	<a href="#">02107.39</a>	Spray Arm, H-1X Complete
4	1	N/A	Nozzle 3, Spray Arm, H-1X
5	4	02107.29	Washer, Bearing Spray Arm, H-1X
6	4	N/A	Nozzle 4, Spray Arm, H-1X
7	1	N/A	Nozzle 5, Spray Arm, H-1X
8	8	02107.32	O-Ring, Nozzle Spray Arm, H-1X

ITEM NO.	NO. REQ'D	P/N	DESCRIPTION
9	16	02107.33	End Cap, Spray Arm, H-1X
10	2	02107.34	Shaft, Spray Arm, H-1X
11	4	02107.35	Bearing, Spray Arm, H-1X
12	2	02107.36	Bearing, Housing Spray Arm, H-1X
13	4	02107.37	Nut, Bearing Spray Arm, H-1X
---	--	02107.38	H-1X Nozzle Kit (Incl #1, 2, 4 & 6-9)

# Chemical Pumps



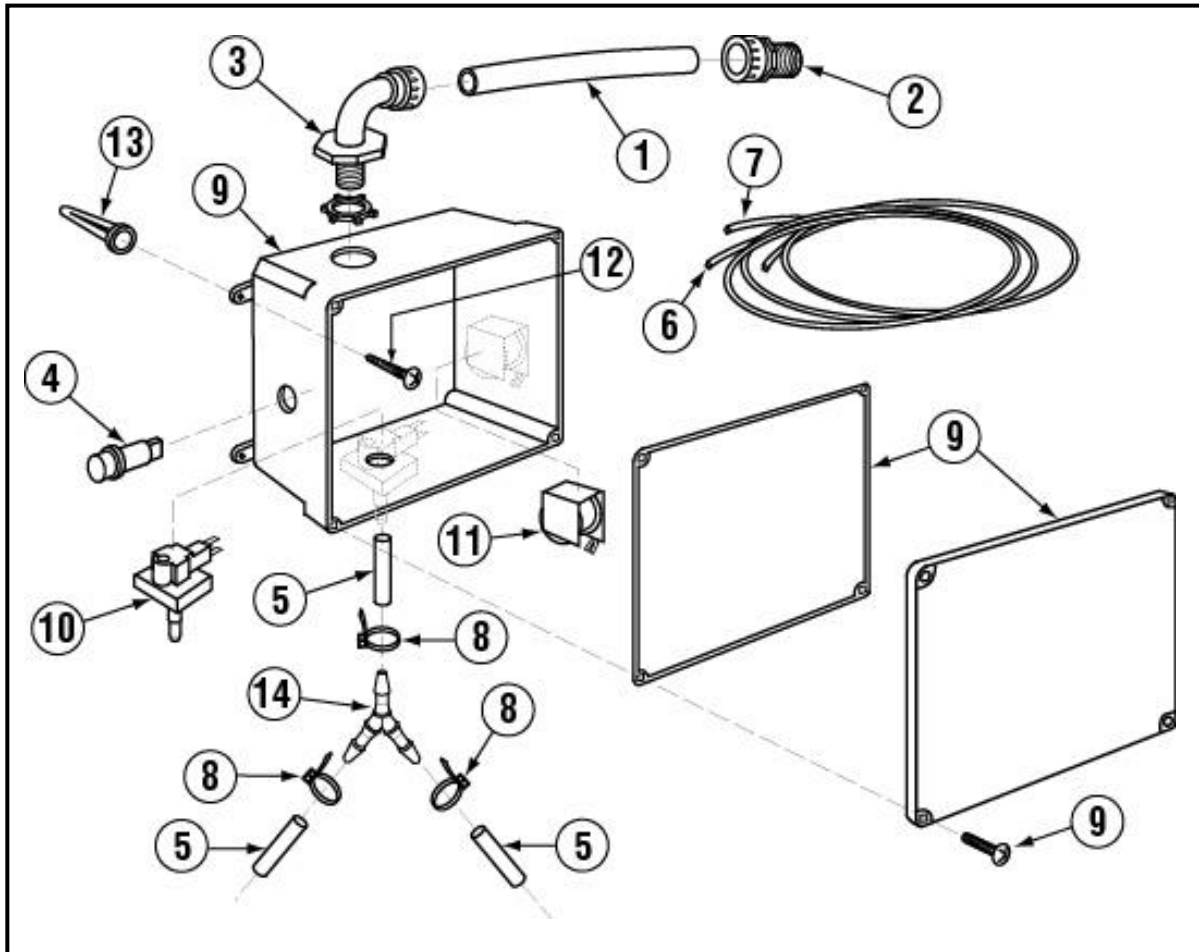
ITEM NO.	NO. REQ'D	P/N	DESCRIPTION
1	2	<a href="#">02103.21</a>	Clamp, SS Gear-Min 1/2"
2	A/R	<a href="#">03107.50</a>	Hose, Rubber 1/2"x0.84" OD Rinse
3	1	<a href="#">02107.14</a>	Bracket, Chemical Pump, H-1X
4	2	<a href="#">00415.20</a>	Chemical Pump Assm, 220V



ITEM NO.	NO. REQ'D	P/N	DESCRIPTION
1	2	<a href="#">02104.47</a>	Strainer
2	2	<a href="#">02104.48</a>	Tube Stiffener, 1/2"ID x 11-7/8"
3	1	<a href="#">43078.05</a>	Label, Detergent
3a	1	43078.08	Label, Rinse
4	A/R	<a href="#">02104.37</a>	Hose, 1/4"ID x 3/8"OD
5	4	<a href="#">00931.00</a>	4.5" Nylon Cable Tie
6	2	<a href="#">02257.00</a>	Squeeze Tube Norprene 8"
7	8	<a href="#">00911.00</a>	Screw, 8-32x1/2" Panhead
8	2	<a href="#">00418.00</a>	Peristaltic Pump Cover
9	2	<a href="#">00419.00</a>	Peristaltic Pump Rotor
10	4	<a href="#">00919.00</a>	Screw, 10-32 x 1-1/2" Panhead
10a	2	<a href="#">00918.10</a>	Screw, 10-32 x 1-1/2" Flathead
11	2	<a href="#">00417.10</a>	Peristaltic Pump Block (Black)
12	2	<a href="#">00416.20</a>	Peristaltic Pump Motor 220V/60Hz
13	4	<a href="#">00448.00</a>	Barrel Connector, Male
14	4	<a href="#">02104.52</a>	Barb

## Optional Chemical Alarm

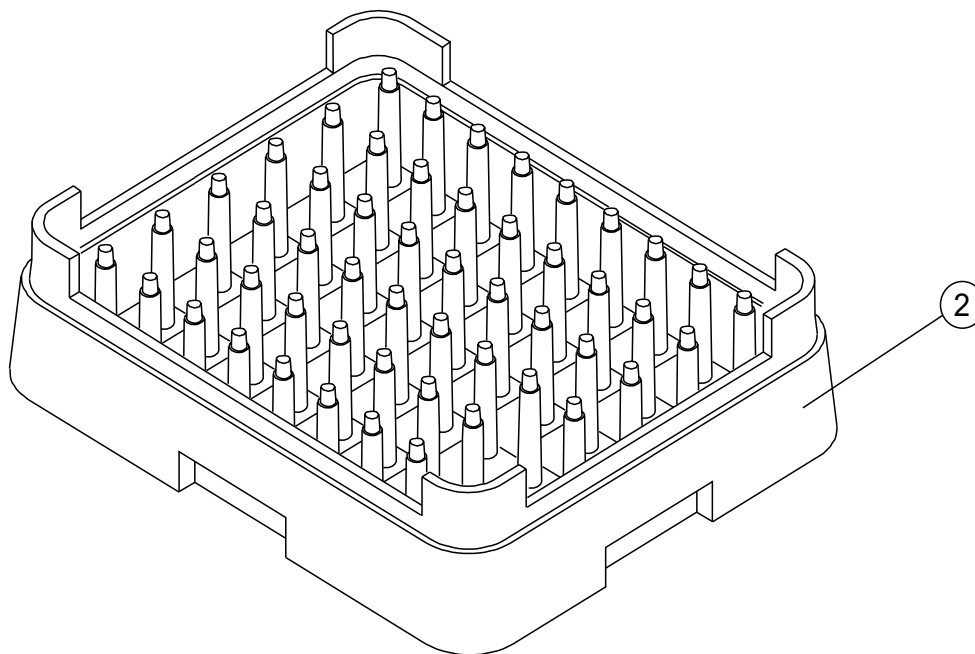
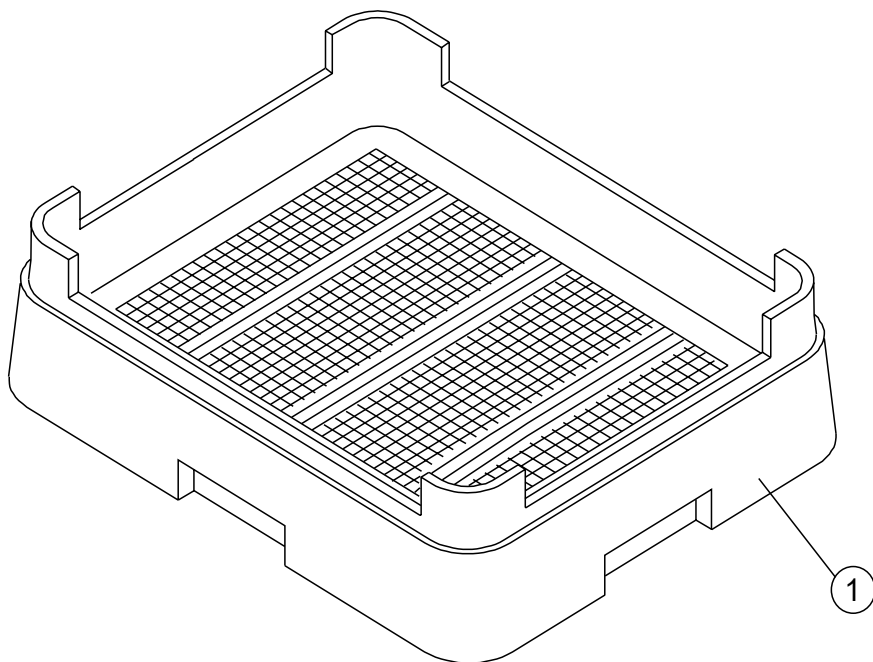
Part Number **12508.00**



ITEM NO.	NO. REQ'D	P/N	DESCRIPTION
1	3	00400.00	Conduit, 3/8" Sealtite
2	1	00401.00	S.T. 3/8" Straight Connector
3	1	00402.00	S.T. 90 Degree 3/8" Connector
4	1	00406.00	Control Box Light, .5" Diameter, Red
5	1	00435.00	Squeeze Tube, 8"
6	1	00521.00	Wire, 18 Gauge, Orange, 6 ft.
7	1	00531.00	Wire, 18 Gauge, White, 6 ft.

ITEM NO.	NO. REQ'D	P/N	DESCRIPTION
8	5	00931.00	Wire Tie, Small
9	1	12510.00	Sanitizer Alarm Box Assembly
10	1	12511.00	Sanitizer Low Level Vacuum Switch
11	1	12512.00	Sanitizer Alarm Buzzer, 120 Volts
12	4	40126.10	#10 x 3/4" Sheet metal Screw
13	4	40127.00	Wall Anchors
14	1	00426.00	Y Hose Connector, 3/16"

# Dish Racks



ITEM NO.	NO. REQ'D	P/N	DESCRIPTION
1	1	<a href="#">12960.01</a>	Dish Rack, Flat
2	1	<a href="#">12960.03</a>	Dish Rack, Peg