



MODEL L-1C PARTS MANUAL

Rev 1.00C 01-31-20

 **UL** US
LISTED
COMMERCIAL
DISHWASHER
864T



CMA DISHMACHINES
12700 KNOTT AVENUE
GARDEN GROVE, CALIFORNIA 92841

800-854-6417

FAX 714-895-2141

www.cmadishmachines.com

[Buy Parts](#)

TABLE OF CONTENTS

MODEL CMA-L-1C

1. PARTS MANUAL	3
1.1. INITIAL PARTS KIT (P/N 4001.50).....	3
1.2. OPTIONAL SANI ALARM	4
1.3. EXPLODED VIEW DRAWINGS.....	5
1.3.1. Cabinet Assembly	5
1.3.2. L-1C Door Assembly	6
1.3.3. Spray System Assembly.....	7
1.3.4. Pump Assembly.....	8
1.3.5. Plumbing System Assembly.....	9
1.3.6. Drain System Assembly.....	10
1.3.7. Control Panel	11
1.3.8. Electrical Panel.....	12
1.3.9. Peristaltic Pump Assembly	13
1.3.10. Drain Valve	14

1. Parts Manual

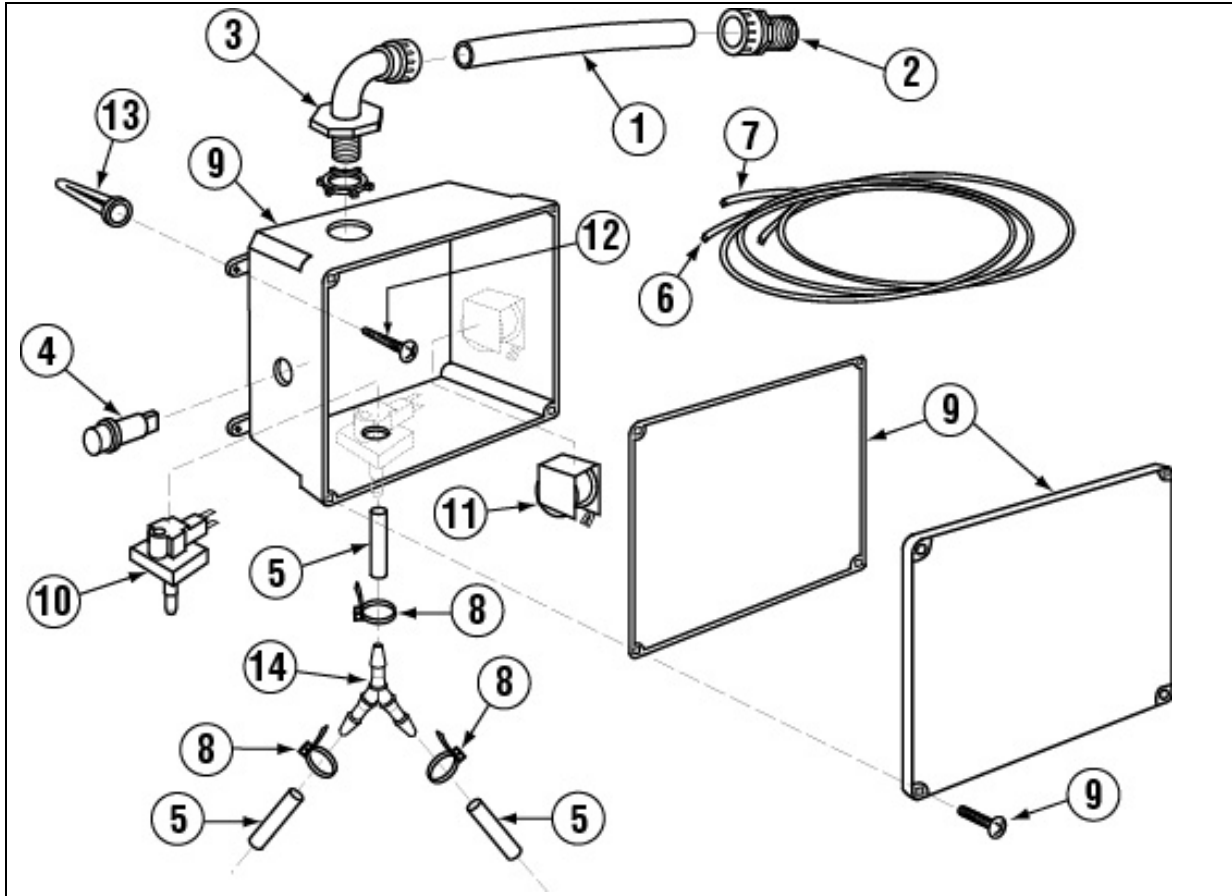
1.1. Initial Parts Kit (P/N 4001.50)

P/N	DESCRIPTION	Qty
00120.02	Bi Metal Thermometer 1.5"	1
00200.24	Pump Assy, 110/220V 60 Hz, Open	1
00206.30	Pump Seal Kit	1
00208.40	Slip Joint Nut Gasket	1
00307.10	Spray Arm Assy. L1X-GLX/L1C	1
00404.82	Motor Contactor 115V,20 Amp	1
00411.00	Micro Switch	1
00415.00	Peristaltic Pump Assembly, 115V/60Hz	1
00425.21	Chemical Tubing Blue	50 ft.
00425.23	Chemical Tubing Red	50 ft.
00425.24	Chemical Tubing White	50 ft.
00470.00	Toggle Switch DPDT Momentary	1
00470.10	Toggle Switch Rubber Boot	1
00501.00	Timer Motor, 2-Minute	1
00631.00	Ice Cube Relay 115V	1
00707.00	½ Water Solenoid Repair Kit JE	1
00715.00	1/2 Ball Check Valve	1
02257.00	Squeeze Tube 8" Norprene	1
02257.22	Squeeze Tube 22" Norprene For L-1X	1
03415.00	Chemical Tube Bulkhead	1
03415.20	Sani Bulkhead Fitting Assy.	1
03475.00	Toggle Switch DPDT 16A	1
03476.00	Push Button Switch Rubber Boot	1
04111.00	Sump Screen	1
04113.00	L-1C Drain Valve, 120V	1
04517.15	Door Stop Undercounter (Parallel)	1
15524.00	Power Switch Red 115V	1

NOTE: CMA recommends that the initial parts kit be kept on hand as a back up supply of critical parts in the event your machine should require emergency service. All the parts included in this kit are unique to the L-1C dishmachine.

1.2. Optional Sani Alarm

Part Number **12508.00**



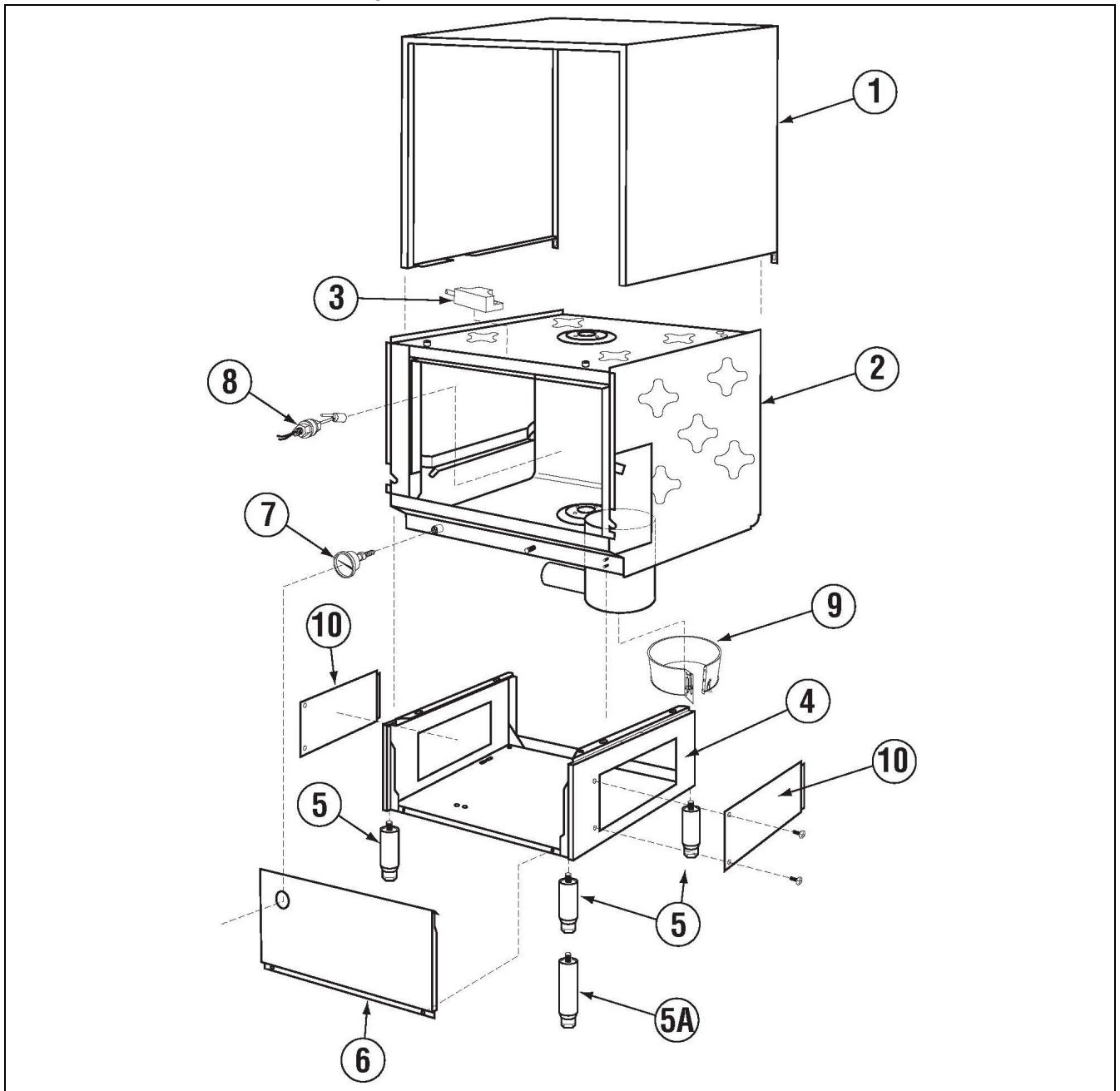
Exploded View

ITEM NO.	NO. REQ'D	P/N	DESCRIPTION
1	3	00400.00	Conduit, 3/8" Sealtite
2	1	00401.00	S.T. 3/8" Straight Connector
3	1	00402.00	S.T. 90 Degree 3/8" Connector
4	1	00406.00	Control Box Light, .5" Diameter, Red
5	1	00435.00	Squeeze Tube, 8"
6	AR	00521.00	Wire, 18 Gauge, Orange, 6 ft.
7	1	00531.00	Wire, 18 Gauge, White, 6 ft.

ITEM NO.	NO. REQ'D	P/N	DESCRIPTION
8	5	00931.00	Wire Tie, Small
9	1	12510.00	Sanitizer Alarm Box Assembly
10	1	12511.50	Sanitizer Low Level Vacuum Switch
11	1	12512.00	Sanitizer Alarm Buzzer, 120 Volts
12	4	40126.10	#10 x 3/4" Sheet metal Screw
13	4	40127.00	Wall Anchors
14	1	00426.00	Y Hose Connector, 3/16"

1.3. Exploded View Drawings

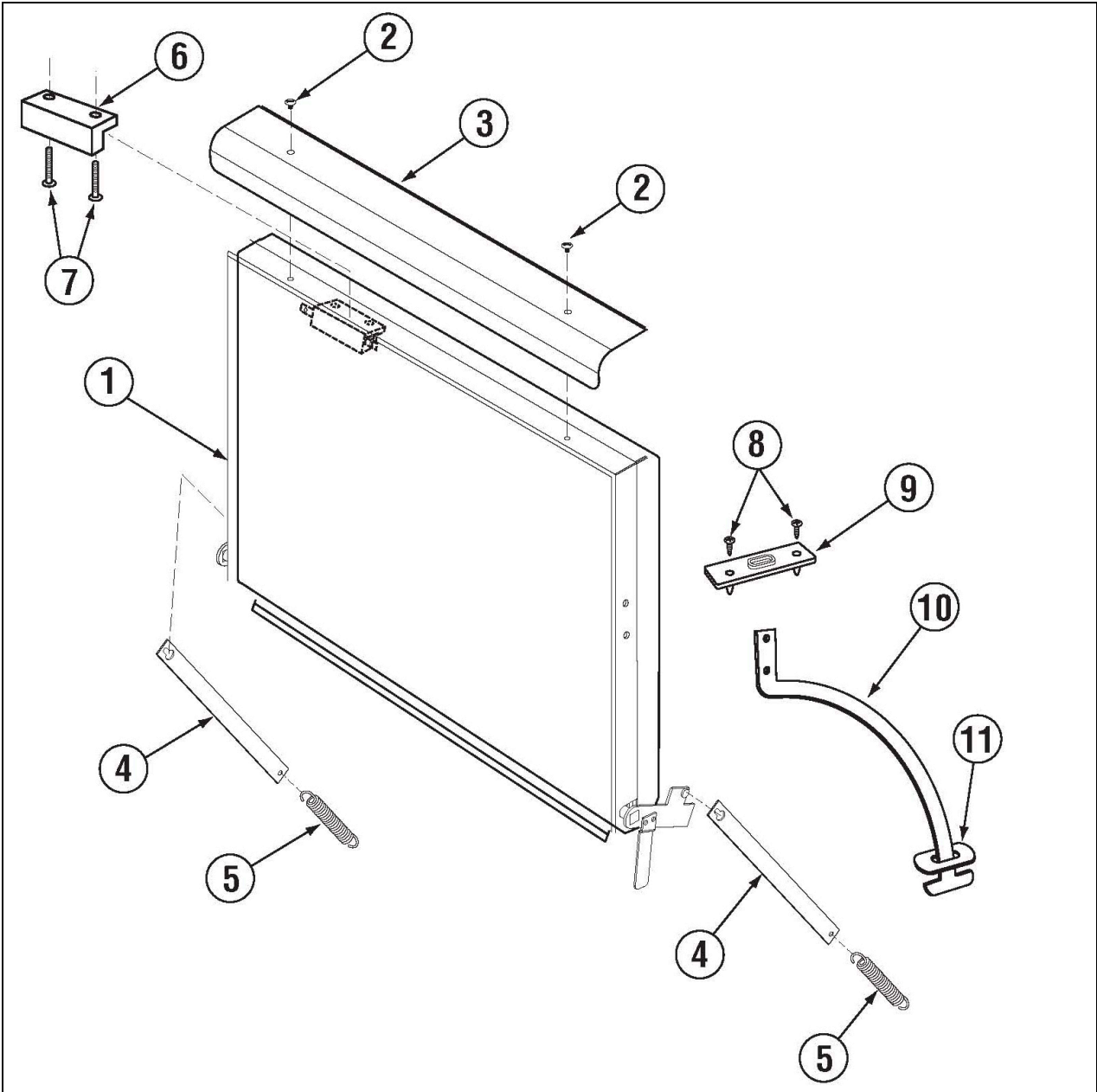
1.3.1. Cabinet Assembly



ITEM NO.	NO. REQ'D	P/N	DESCRIPTION
1	1	05967.00	L1C-NST Wrapper
2	1	05968.00	L1C-NST Body
3	1	00556.10	Reed Switch
4	1	05963.00	L1C-NST Base
5	4	01146.50	4"Leg
5A	4	01146.00	6"Leg (optional)

ITEM NO.	NO. REQ'D	P/N	DESCRIPTION
6	1	05966.00	L1C-NST Front Panel
7	1	00120.02	BiMetal Thermometer
8	1	13463.10	Liquid Level Switch
9	1	04109.11	Sump Heater
10	2	05902.20	Stand Panel

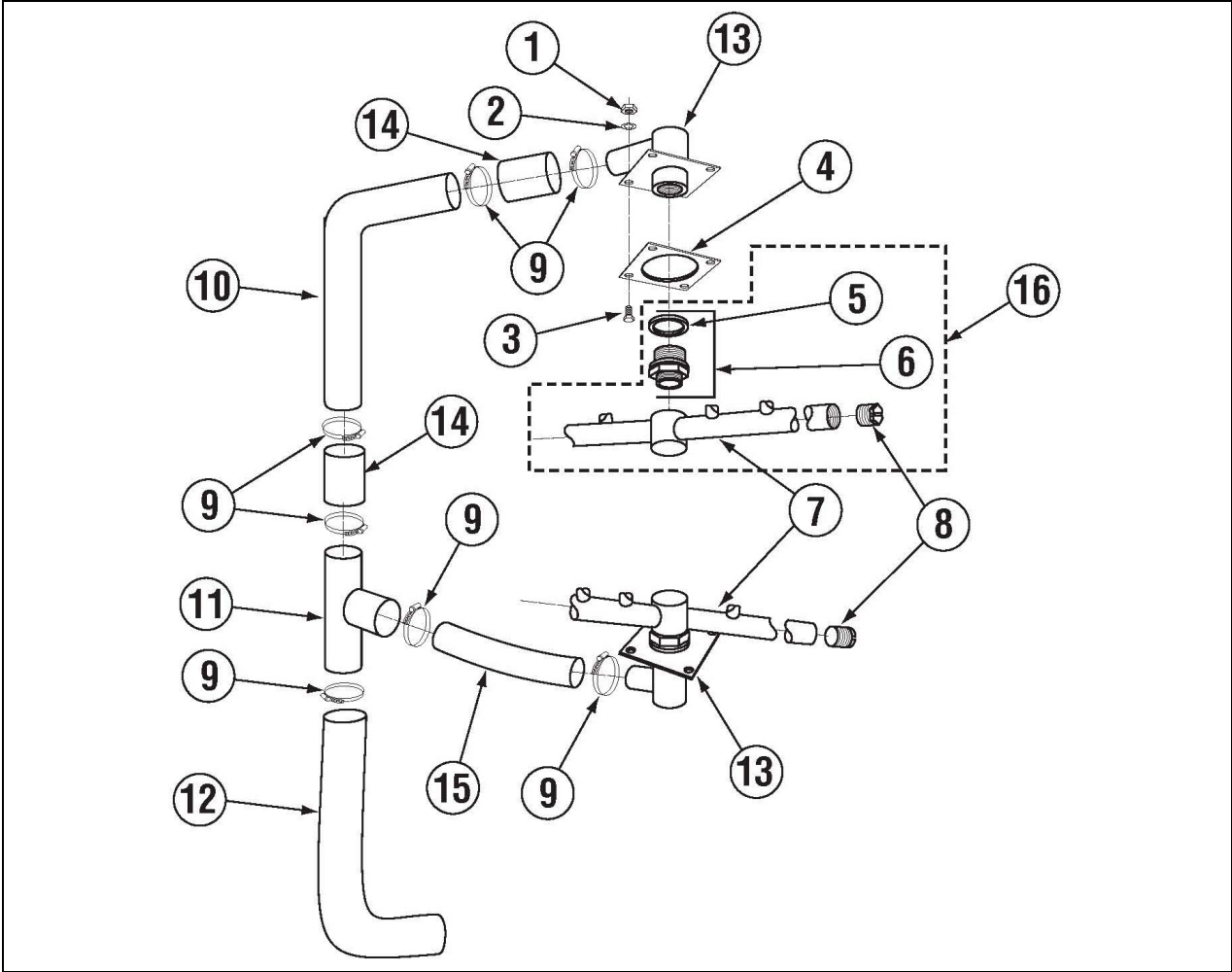
1.3.2. L-1C Door Assembly



ITEM NO.	NO. REQ'D	P/N	DESCRIPTION
1	1	05964.10	L-1C NST Door for Rods
2	2	00940.50	10-32 X 3/8 Truss Head Screw
3	1	05965.00	L-1C NST Door Handle
4	2	05913.00	L-1C Door Spring Arm
5	2	05932.00	Energy Miser L-1C Door Spring
6	1	00556.60	Reed Switch Magnet

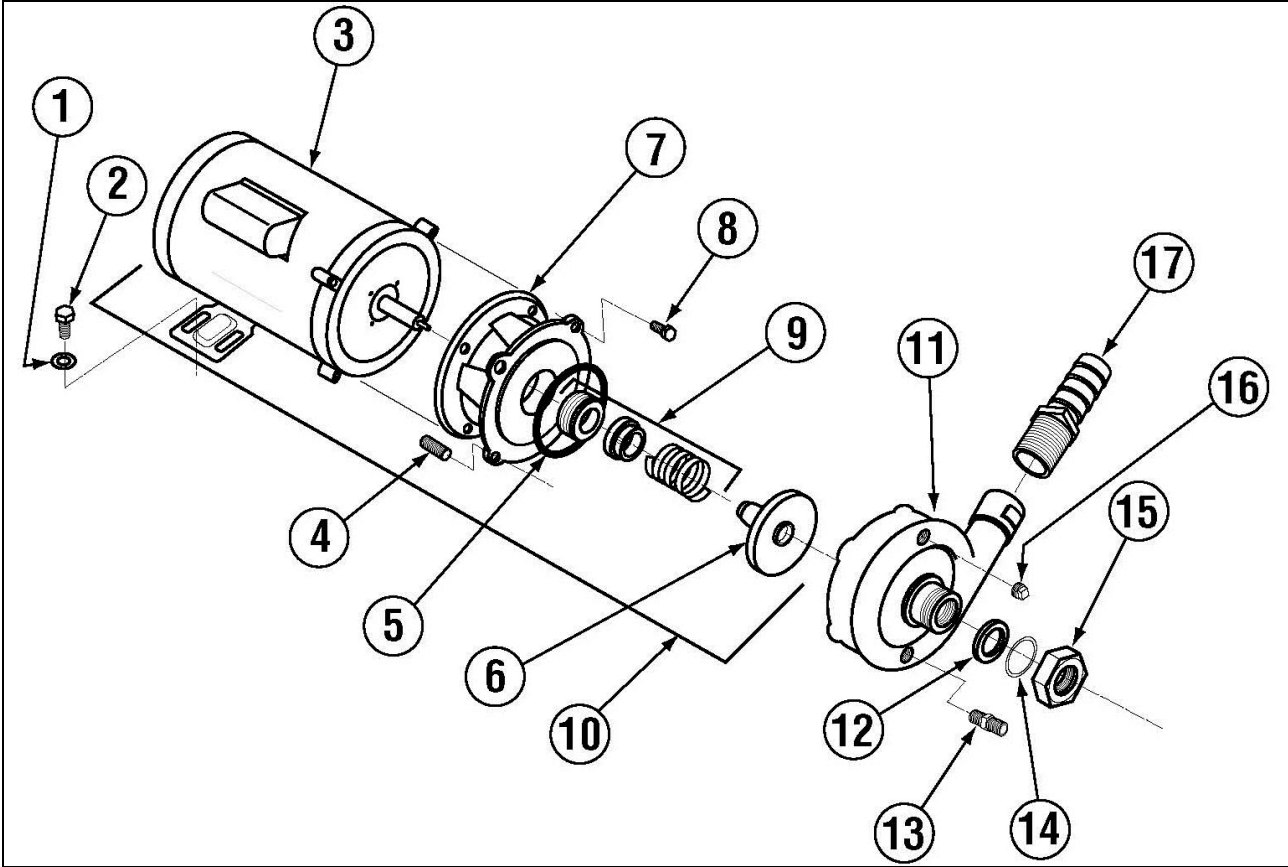
ITEM NO.	NO. REQ'D	P/N	DESCRIPTION
7	1	00911.00	8-32 X 1/2 Panhead Screw
8	4	02100.79	Philip Panhead Screw 6X3/8,type A
9	2	02100.80	Door Rod Slide
10	2	02821.00	Door Rod
11	2	02823.00	Door Rod Washer

1.3.3. Spray System Assembly



ITEM NO.	NO. REQ'D	P/N	DESCRIPTION
1	8	00912.00	1/4"-20 Nylon Lock Nut
2	16	00924.00	1/4" SS Washer
3	8	00929.00	1/4"-20 x 3/4" Truss Head Bolt
4	2	04306.00	Square Manifold Gasket
5	2	04305.10	Silicon Gasket
6	2	04303.00	L-1C Spray Arm Bearing
7	2	00304.04	Spray Arm
8	4	00308.50	Spray Arm End Plug
9	6	03101.00	Hose Clamp #16 1"
10	Ft	05939.50	L-1C Manifold Pipe SS
11	1	05936.00	Energy Mizer L-1C Tee 1"X1"X1"
12	1	13109.00	Drain Hose 90Deg 1"
13	2	05930.00	Energy Mizer L-1C Spray Base
14	2	03108.67	Transfer Hose 1" Reinforced 2"
15	2	03108.60	Transfer Hose 1" Reinforced
16	1	00307.10	Spray Arm Assy L1X/GL-X

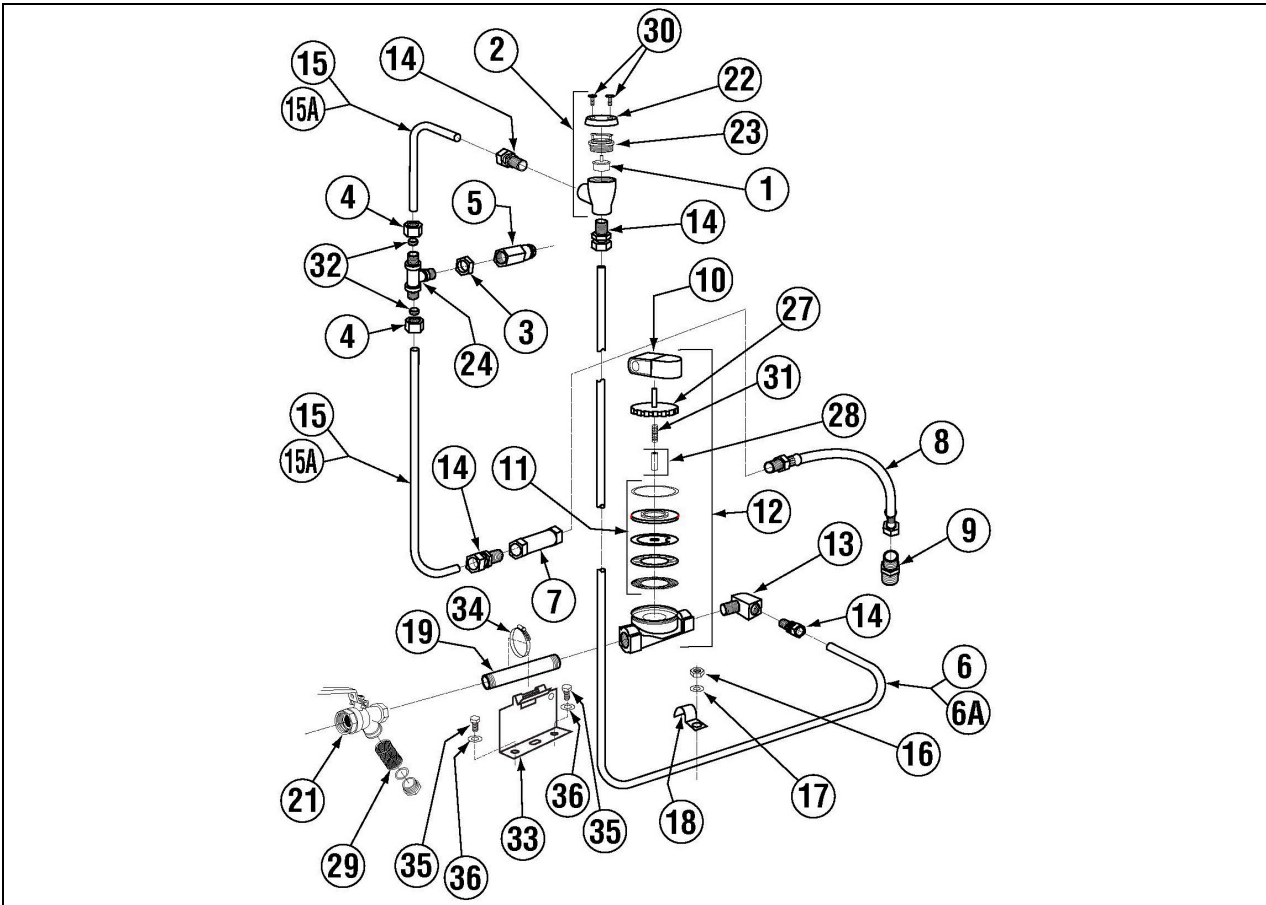
1.3.4. Pump Assembly



ITEM NO.	NO. REQ'D	P/N	DESCRIPTION
1	4	00924.00	1/4" SS Washer
2	4	00906.00	1/4"-20 x 1/2" Hex Head Bolt
3	1	00201.00	Water Pump Motor 1 HP
4	2	00975.00	3/8"-16 x 1 1/2" SS Stud
5	1	03226.00	Pump "O" Ring Gasket
6	1	00203.40	Impeller Closed Domestic 4" S/S
7	1	03224.00	Pump Base (Mount)
8	8	00921.00	3/8"-16 x 3/4" Hex Bolt
9	1	00206.30	Pump Seal Kit New (11/07)

ITEM NO.	NO. REQ'D	P/N	DESCRIPTION
10	1	00200.24	Includes Items 3, 5, 6, 7, and 9
11	1	04206.30	Pump cover
12	1	00208.40	Slip Joint Nut O Ring Gasket Buna
13	1	00214.50	1/2" Comp x 3/8" MIP Adapter
14	1	00208.21	Slip Joint Nut Friction Ring Plastic
15	1	04204.00	Compression Nut 2.5"
16	1	00238.00	3/8" Male Plug
17	1	50302.06	1" MIP x 1" Barb PVC

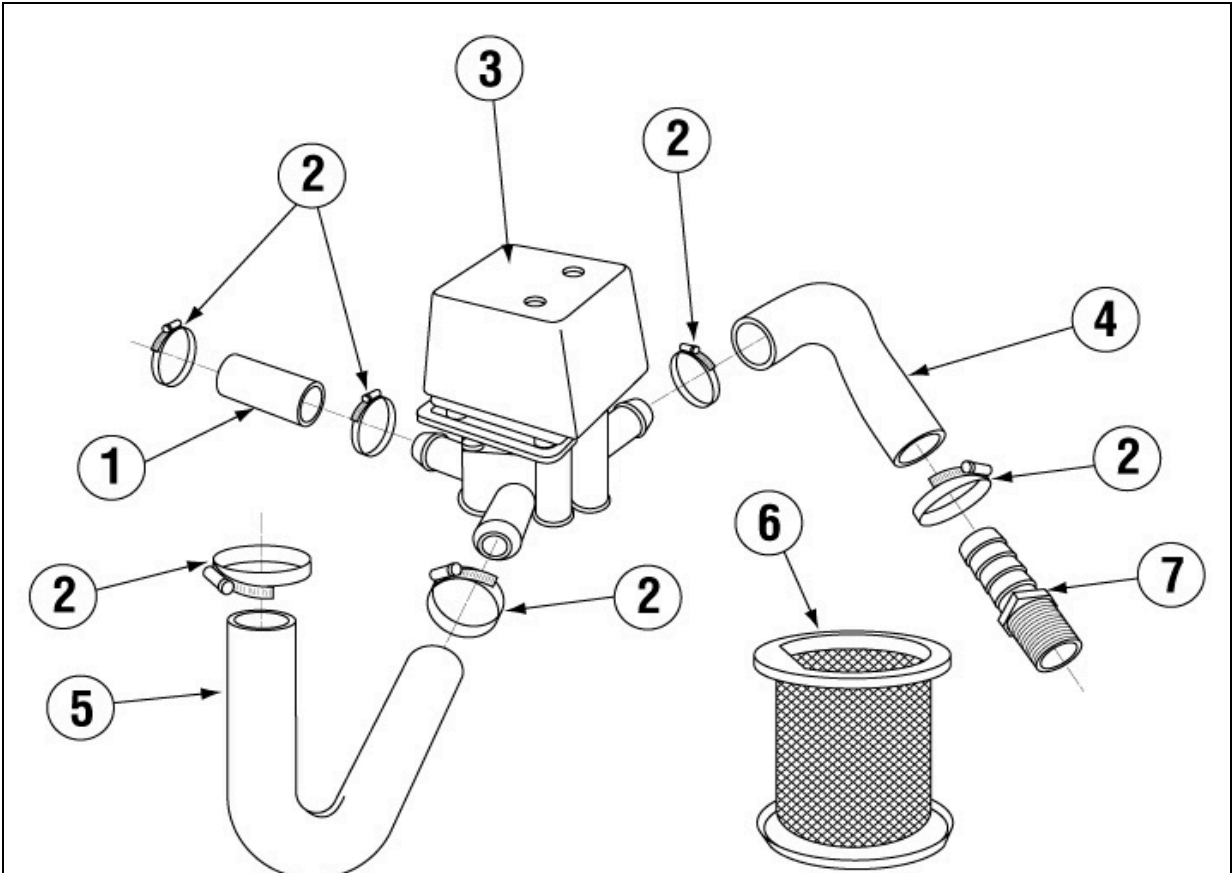
1.3.5. Plumbing System Assembly



ITEM NO.	NO. REQ'D	P/N	DESCRIPTION
1	1	03623.00	1/2" Vac. Brkr Repair Kit – WATTS
2	1	03624.00	1/2" Vacuum Breaker – WATTS
3	2	00721.00	1/2" Jamb Nut
4	2	00770.10	5/8 Compression Fitting Nut
5	1	00748.00	1/2" Sprinkler Head Assembly
6	1	04605.00	L-1X "U" Tube
6A	1	04605.60	L-1X 16"U" Tube
7	1	00715.00	Ball Check Valve
8	1	00798.00	SS Braided Hose
9	1	00214.50	1/2" Comp x 3/8" MIP FTG
10	4	00738.10	Water Solenoid Coil J/E
11	1	00707.00	1/2" Water Solenoid Repair Kit J/E
12	1	03603.10	1/2" Water Solenoid Valve J/E
13	1	00745.00	1/2" 90 Degree Street Elbow
14	6	00760.00	5/8" Comp. X 1/2" MIP Adapter
15	1	04606.00	L-1X "L" Tube
15A	1	04606.60	L-1X16 "L" Tube
16	1	00915.00	1/4"-20 Hex Nut
17	1	00924.00	1/4" SS Washer

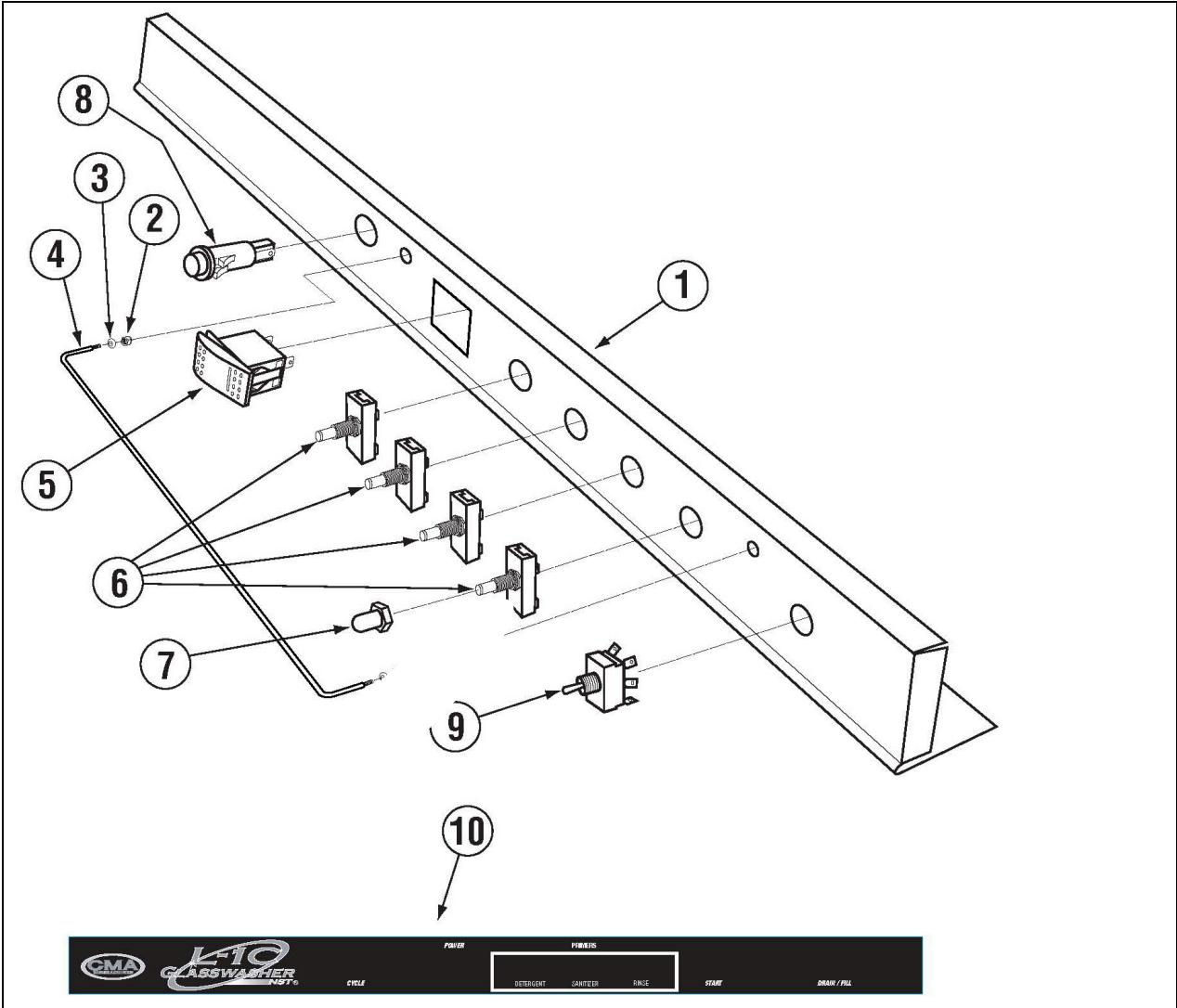
ITEM NO.	NO. REQ'D	P/N	DESCRIPTION
18	1	00725.50	1/2" Plumbing Strap
19	1	00747.10	Nipple Brass 1/2" x 5"
20	1	03602.50	1/2" Y Strainer – Optional
21	1	41062.00	1/2 Strainer Ball Valve
22	1	00739.50	Vacuum Breaker Cap SS
23	1	03624.25	Vacuum Breaker Bonnet Brass
24	1	00743.12	Tee 1/2C x 1/2C x 1/2 Male
25	1	00742.00	Nipple Brass 1/2" x 1-1/2" (Optional)
26	1	00744.00	Nipple Brass 1/2" x 2" (Optional)
27	1	03603.20	1/2" Water Solenoid Bonnet
28	1	00786.00	Water Solenoid Valve Plunger
29	1	41062.10	^ 1/2 Ball Valve Strainer Only
30	2	00970.40	6-32 x 1/4" Phillips Pan Head Screw
31	1	00706.10	Plunger Spring Only
32	2	00770.20	5/8 Compression Fitting Ring
33	1	14508.50	Plumbing Bracket
34	1	03101.45	Hose Clamp #4 Size #002 SS
35	1	00940.50	10-32 X 3/8 Truss Head Screw
36	1	03801.60	10-32 KEPS Lock Nut

1.3.6. Drain System Assembly



ITEM NO.	NO. REQ'D	P/N	DESCRIPTION
1	2	04105.00	Pump Hose 6.5"
2	8	03101.00	1" Hose Clamp #16
3	1	04103.00	L-1X Drain Valve (Depend-O-Drain)
4	1	03108.51	1" Goose Neck Drain Hose
5	1	03109.00	Drain Hose 90DEG 1"
6	1	04111.00	Sump Screen
7	1	50302.06	1" MIP x 1" Barb PVC

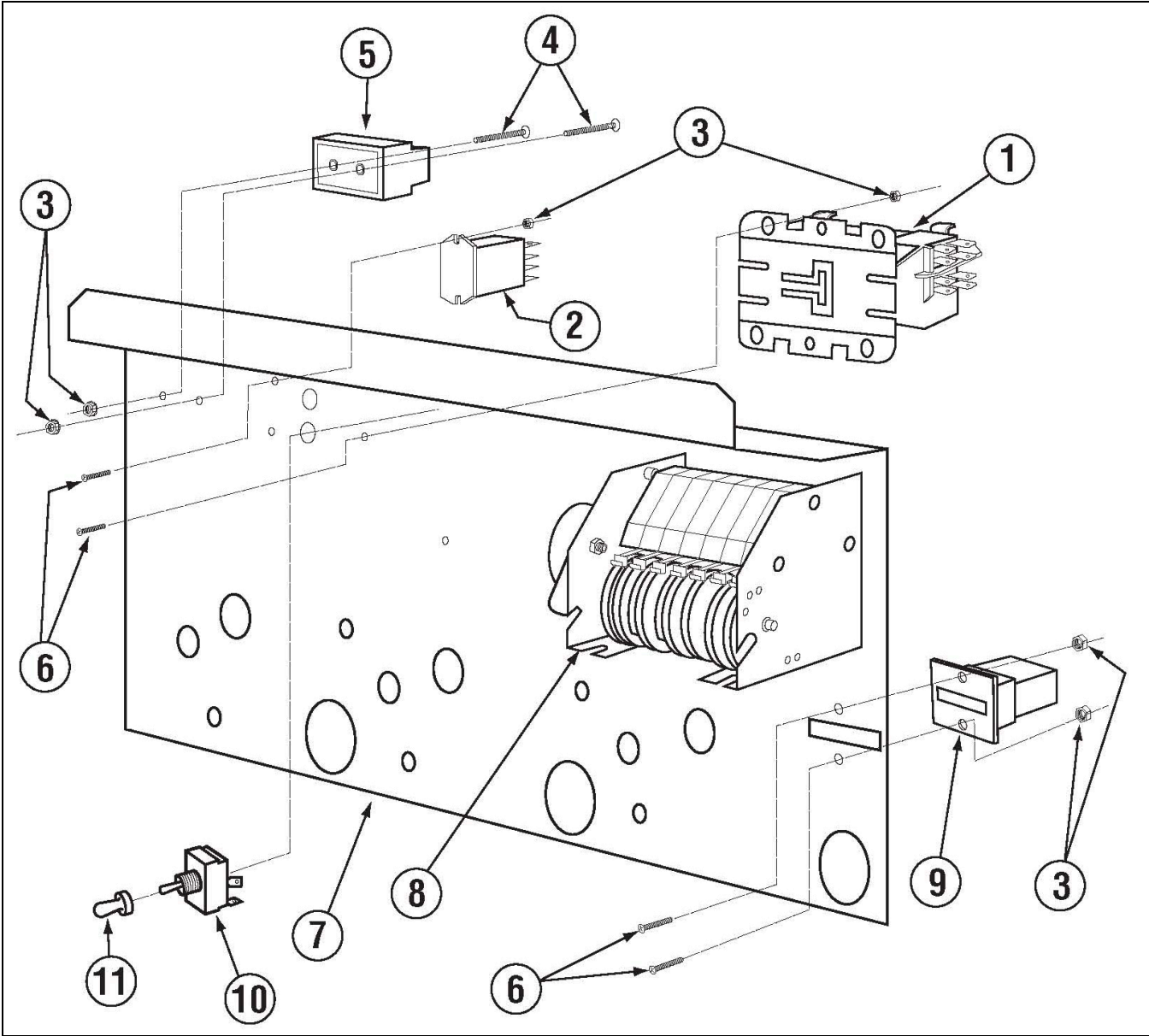
1.3.7. Control Panel



ITEM NO.	NO. REQ'D	P/N	DESCRIPTION
1	1	05960.00	L1C-NST Panel Fascia
2	2	03801.00	10-32 Lock Nut
3	2	04806.00	#10 Brass Washer
4	1	03485.00	Switch Guard
5	1	15524.00	Power Rocker Switch Red 115V

ITEM NO.	NO. REQ'D	P/N	DESCRIPTION
6	4	03475.00	Primer Switch Push Button 15 Amp
7	4	03476.00	Rubber Boot
8	1	00406.00	Control Box Light .5" D Red
9	1	00470.00	Toggle switch DPDT Momentary
10	1	06231.73	L1C-NST Panel Label (2013)

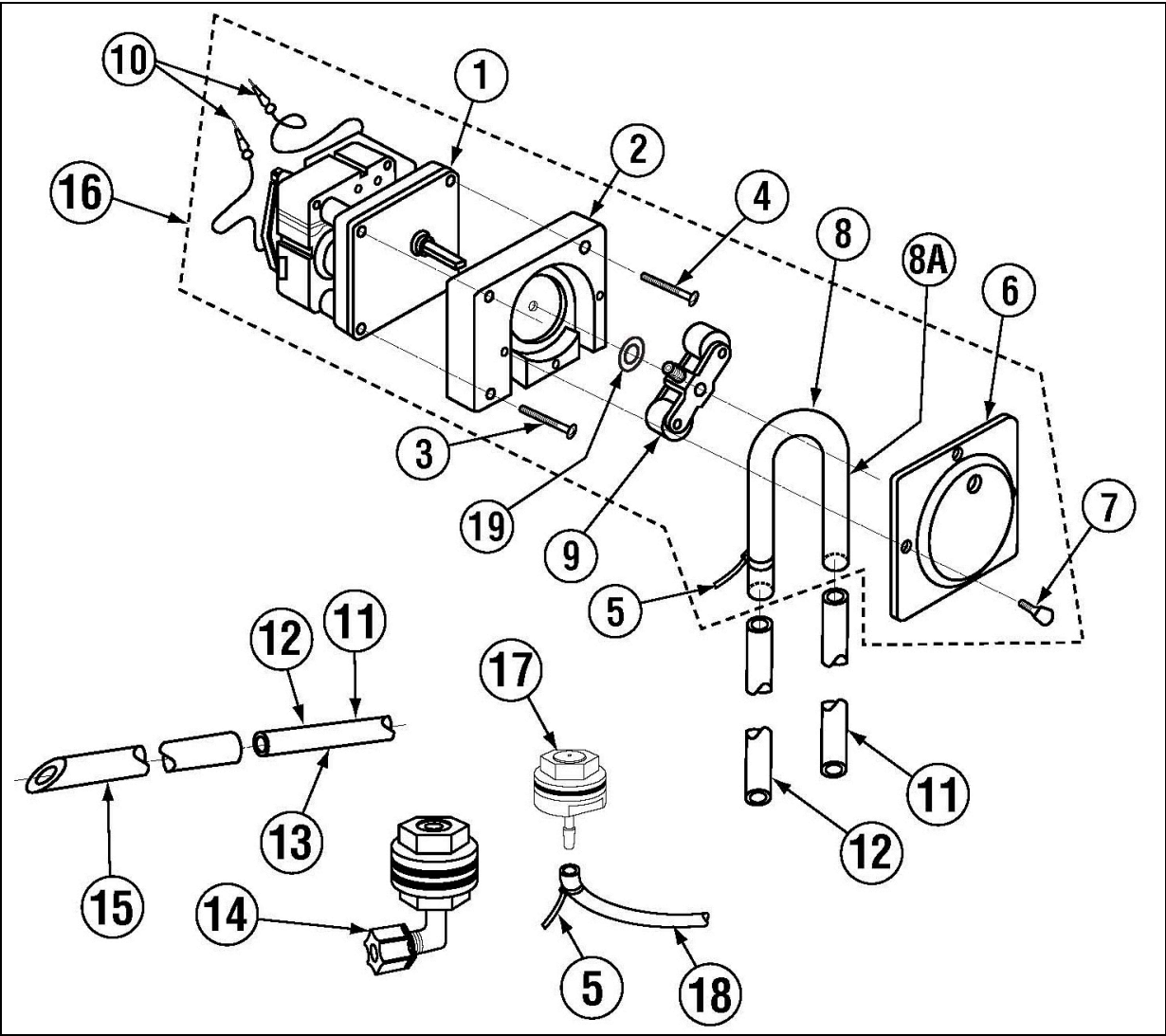
1.3.8. Electrical Panel



ITEM NO.	NO. REQ'D	P/N	DESCRIPTION
1	1	00404.82	Contactor Relay
2	1	00631.00	Ice Cube Relay
3	10	00916.00	6-32 PM Nut
4	2	01001.00	6-32 X 1 Phillips Panhead Screw
5	1	15520.50	Power Block 3 Position
6	8	00907.00	6-32 X 1/2 SS Panhead Screw
7	1	05961.00	L-1C-NST Control Panel

ITEM NO.	NO. REQ'D	P/N	DESCRIPTION
8	1	00408.80	Timer 2 Minute 8 Cam
8A	8	00411.00	Micro switch (not shown)
8B	1	00501.00	Timer Motor (not shown)
9	1	03408.50	Counter (Panel Mount – Small)
10	1	00475.70	Delimer Switch DPDT 20A,2Pos.
11	2	00470.10	Rubber Boot

1.3.9. Peristaltic Pump Assembly

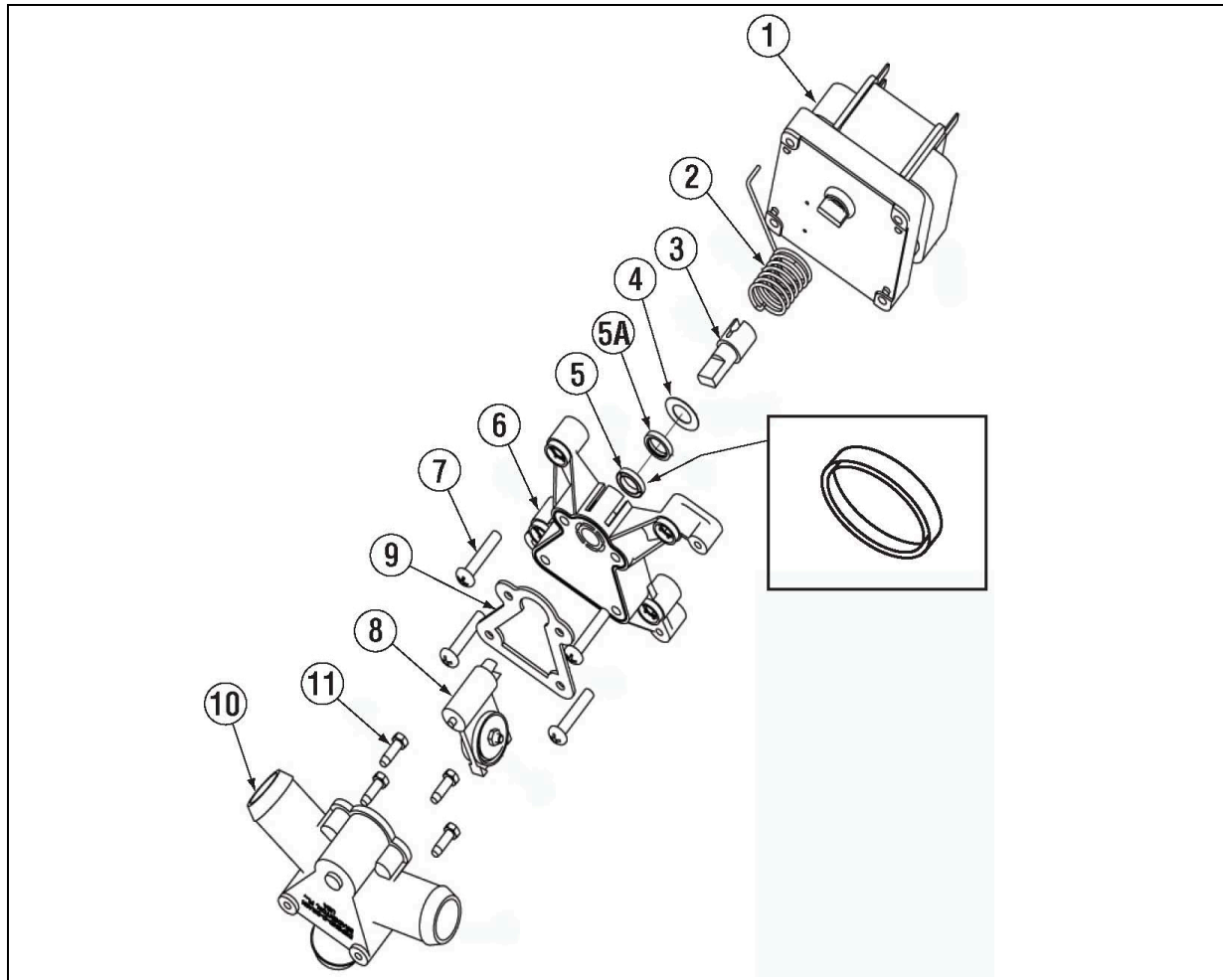


ITEM NO.	NO. REQ'D	P/N	DESCRIPTION
1	3	00416.00	Peristaltic Pump Motor
2	3	00417.10	Peristaltic Pump Block (Black)
3	6	00919.00	10-32 x 1 1/2" Pan Head Screw
4	3	00918.00	10-32 x 1 1/2" Fillister HD Screw
5	6	00932.00	Wire Tie – Large
6	7	00418.00	Peristaltic Pump Block Cover
7	12	00911.00	8-32 x 1/2" Pan Head Screw
8	3	02257.00	Squeeze Tube 8" Norprene
9	3	00419.00	Peristaltic Rotor Assembly

ITEM NO.	NO. REQ'D	P/N	DESCRIPTION
10	6	00448.00	Barrel Connector (Male)
11	AR	00425.51	Chemical Tubing (Blue)
12	AR	00425.53	Chemical Tubing (Red)
13	AR	00425.54	Chemical Tubing (White)
14	2	03415.00	Chemical Tube Bulkhead
15	2	00443.00	Tube Stiffener
16*	1	00415.00	Complete Peristaltic Pump
17	1	03415.60	Bulk Head For Sanitizer
18	1	02257.22	Squeeze Tube 22" Norprene For L-1X
19	1	00422.50	Rotor Spacer

*Item 16 includes items 1-4, 6-10.

1.3.10. Drain Valve



ITEM NO.	NO. REQ'D	P/N	DESCRIPTION
1	1	00104.50	Drain Motor 120V
2	1	04103.14	Drain Valve Spring
3	1	04103.20	Drain Valve Drive Pin
4	1	04103.19	Drain Valve Washer (Thin) SS
5	1	04103.17	Drain Valve Seal Washer (Rubber)
5A	1	04103.23	Drain Seal Bearing (White Washer)
6	1	04113.33	Drain Valve Housing Cover
7	4	04113.18	Valve Cover Screw
8	1	04113.16	Drain Valve Hinge/Seal
9	1	04103.15	Drain Valve Housing Gasket
10	1	04113.12	Drain Valve Housing (Includes #11&12)
11	2	04113.21	Screw #6-32 X 0.625 Flanged Hex
12	2	04113.23	Screw - #6-32 X 1.5" Flanged Hex
13	1	04113.13	Valve Cover Assy. Rectangular