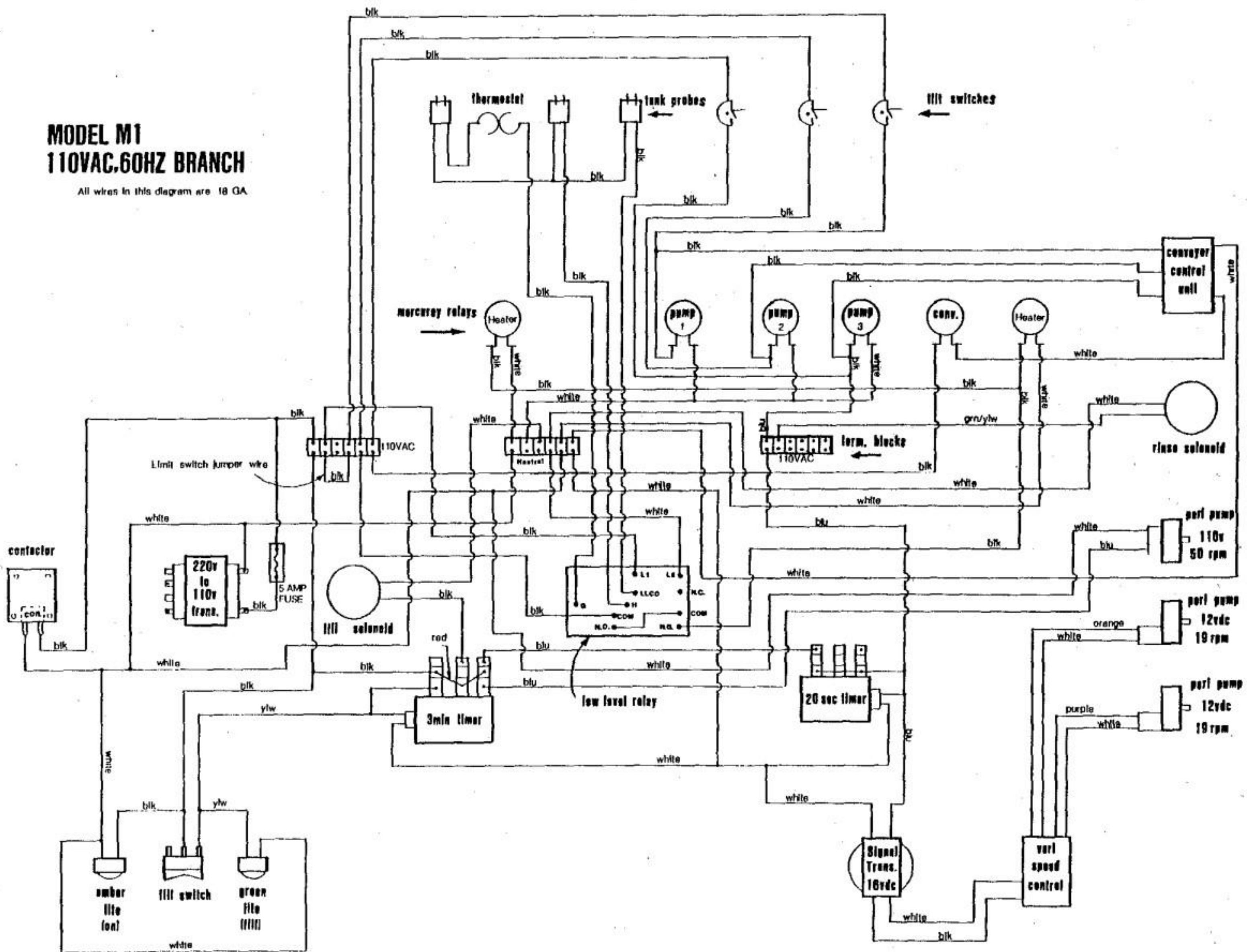


MODEL M1 110VAC, 60HZ BRANCH

All wires in this diagram are 18 GA.



MODEL M1 220VAC, SINGLE PHASE, 60HZ

