

TO CUSTOMERS DISCONNECT SWITCH
PER LOCAL ELECTRICAL CODE
115-208/230V/1PH 60HZ

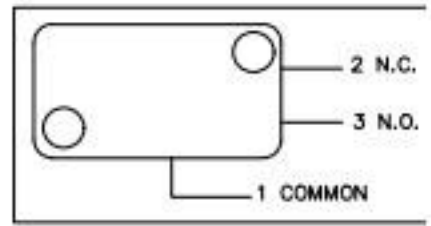
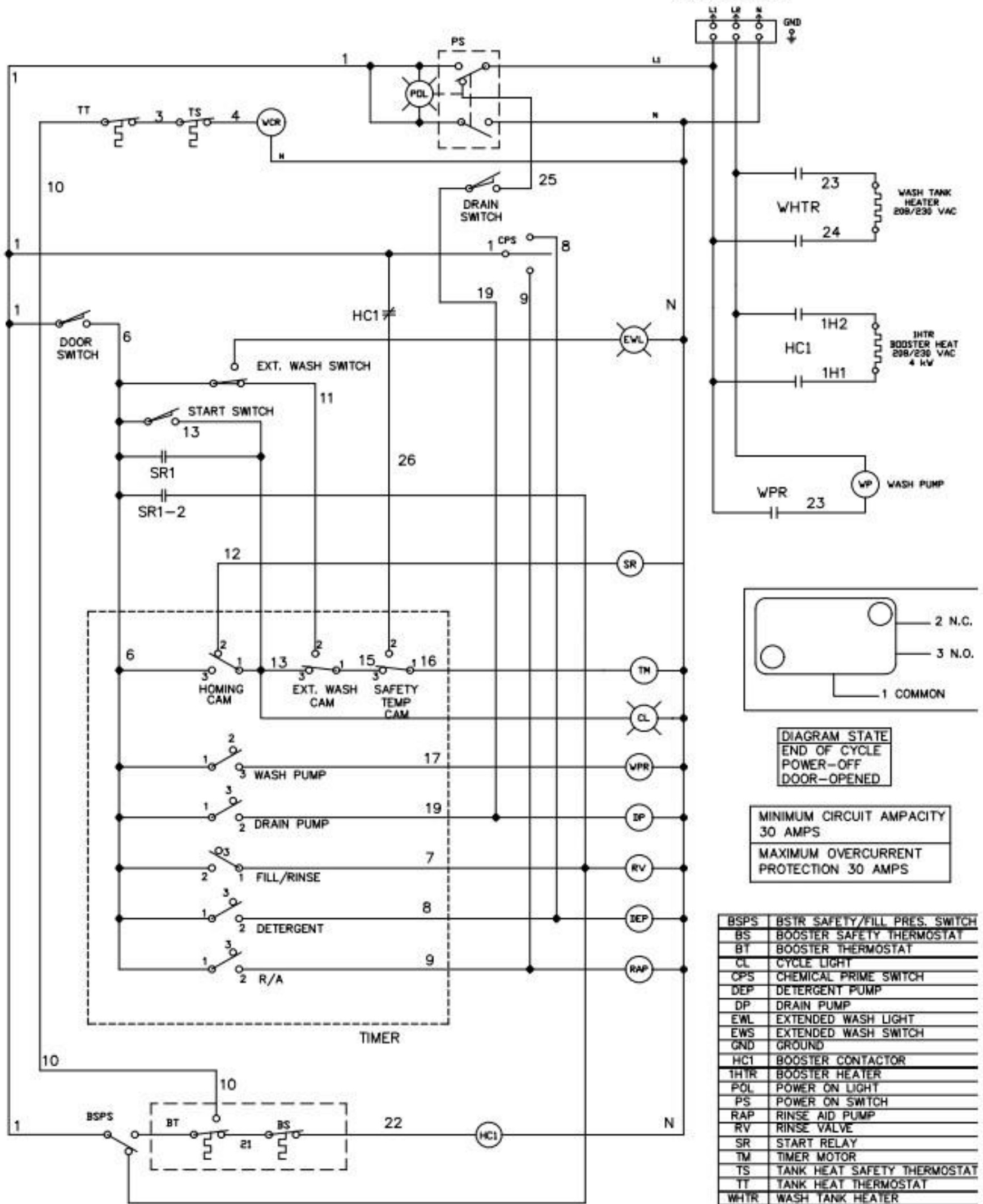


DIAGRAM STATE
END OF CYCLE
POWER-OFF
DOOR-OPENED

MINIMUM CIRCUIT AMPACITY
30 AMPS
MAXIMUM OVERCURRENT
PROTECTION 30 AMPS

BSPS	BSTR SAFETY/FILL PRES. SWITCH
BS	BOOSTER SAFETY THERMOSTAT
BT	BOOSTER THERMOSTAT
CL	CYCLE LIGHT
CPS	CHEMICAL PRIME SWITCH
DEP	DETERGENT PUMP
DP	DRAIN PUMP
EWL	EXTENDED WASH LIGHT
EWS	EXTENDED WASH SWITCH
GND	GROUND
HC1	BOOSTER CONTACTOR
1HTR	BOOSTER HEATER
POL	POWER ON LIGHT
PS	POWER ON SWITCH
RAP	RINSE AID PUMP
RV	RINSE VALVE
SR	START RELAY
TM	TIMER MOTOR
TS	TANK HEAT SAFETY THERMOSTAT
TT	TANK HEAT THERMOSTAT
WHTR	WASH TANK HEATER
WPR	WASH PUMP RELAY
WHR	WASH HEATER RELAY

HIGH TEMP UNDERCOUNTER

DATE _____ NUMBER/REV _____