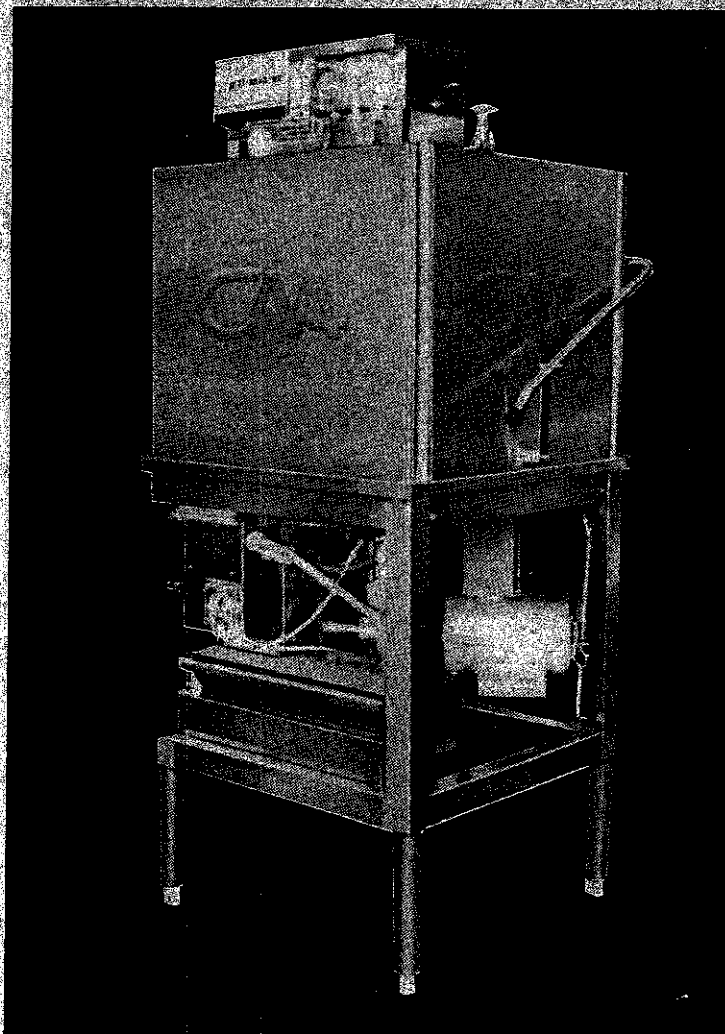


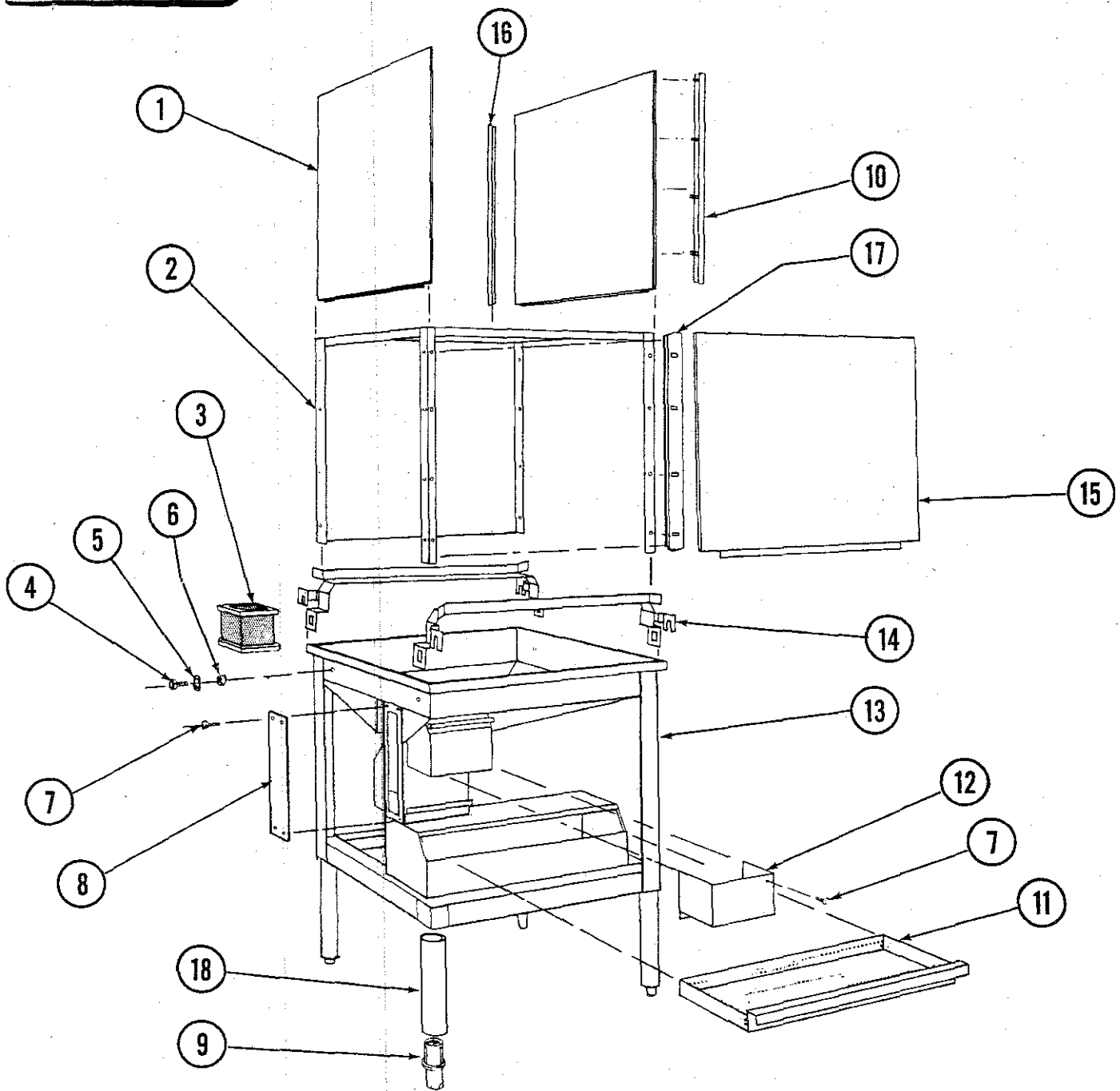
MODEL VA PARTS MANUAL



CMA DISHMACHINES
12700 KNOTT AVENUE
GARDEN GROVE, CALIFORNIA 92841

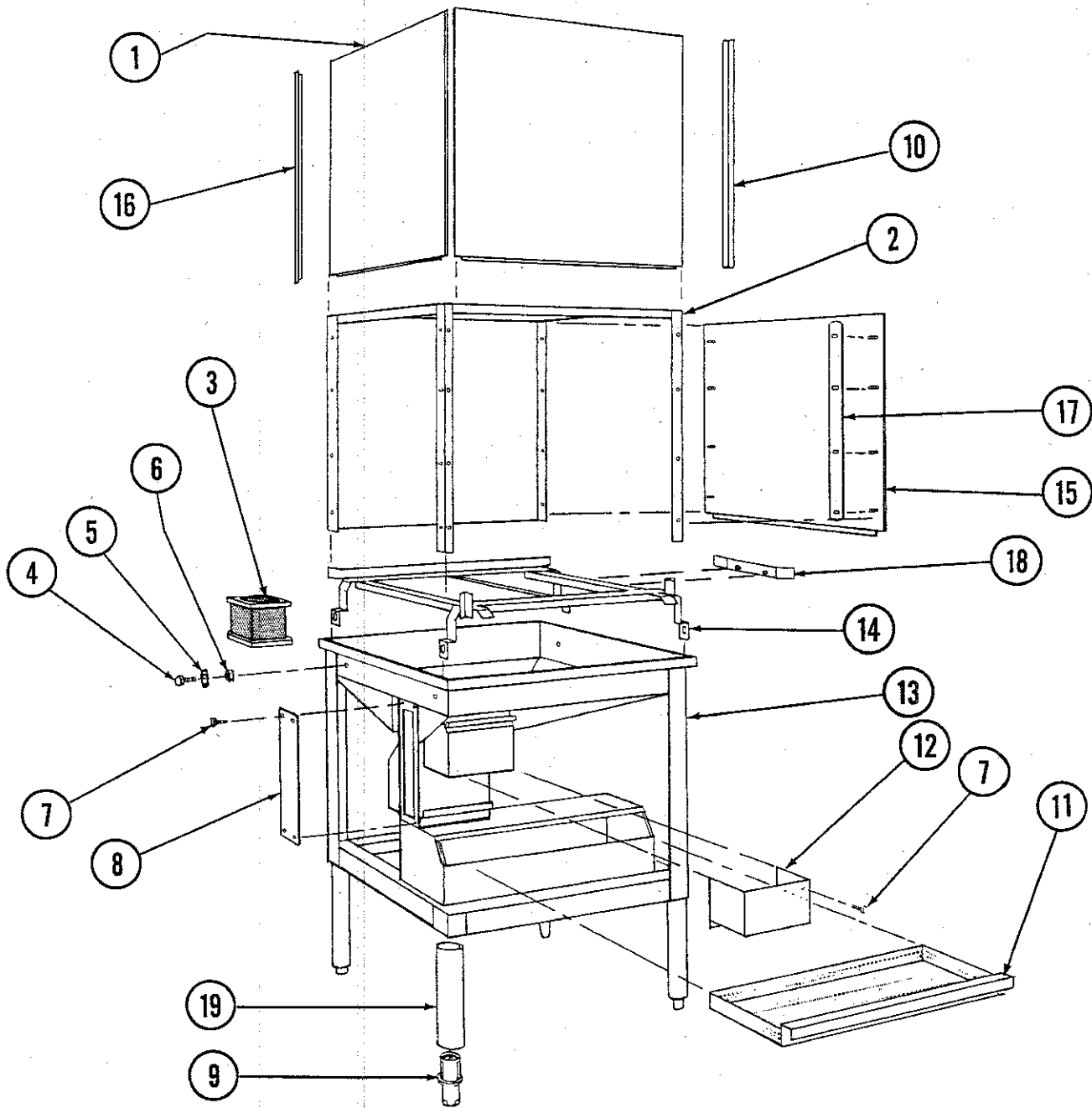
800-854-6417
FAX 714-895-2141

| | Page |
|---|------|
| VA-Cabinet System Assembly | 3 |
| Corner-VA-Cabinet System Assembly | 4 |
| VA-Door Actuator System Assembly | 5 |
| Corner-VA-Door Actuator System Assembly | 6 |
| Plumbing System Assembly | 7 |
| Spray System Assembly | 8 |
| Power Drain Assembly | 9 |
| Pump System Assembly | 10 |
| Control Box System Assembly | 11 |
| Peristaltic Pump Assembly | 12 |
| Optional Sani Alarm | 13 |
| Wiring Diagram | 14 |



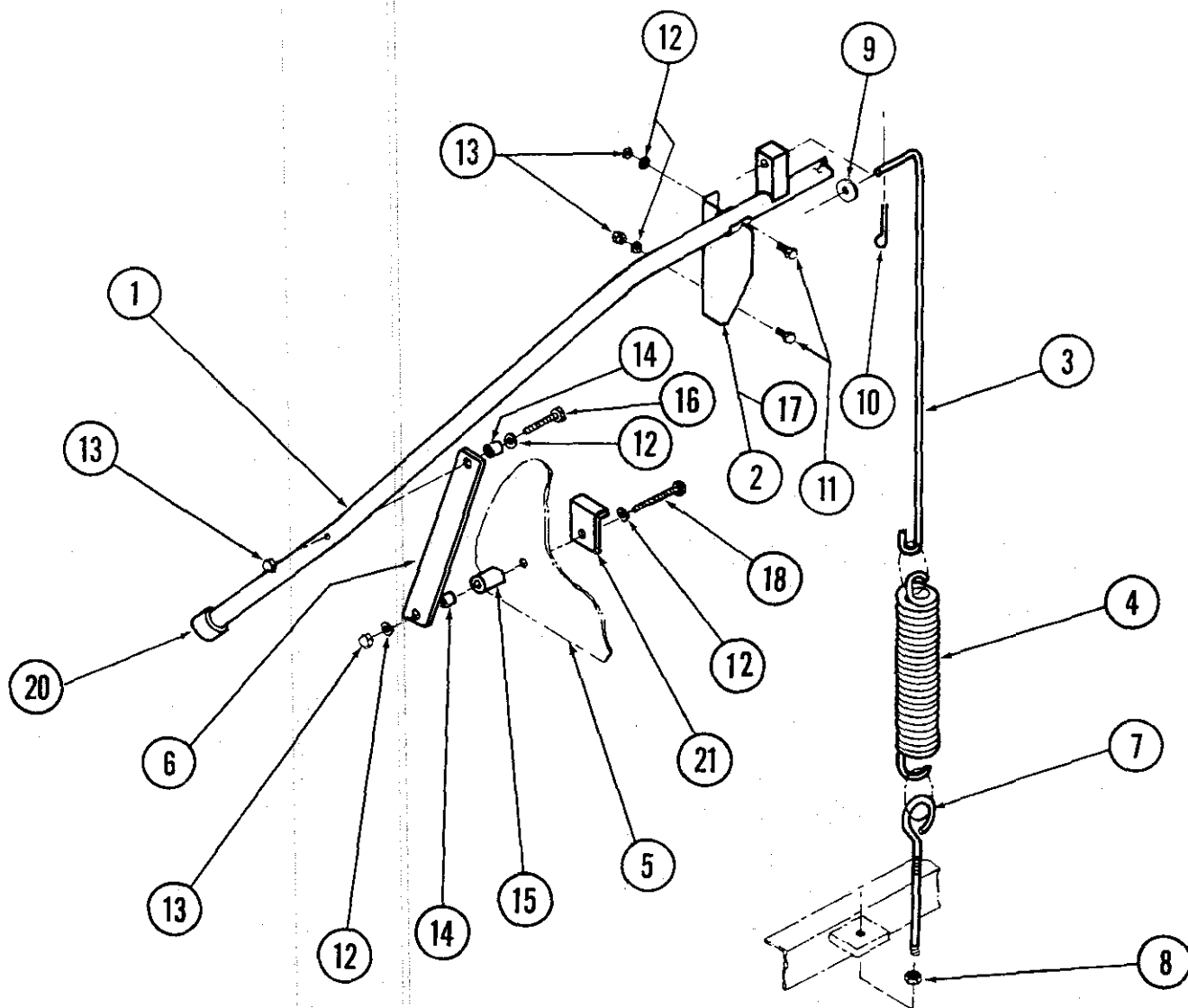
| ITEM NO. | NO. REQ'D | DESCRIPTION |
|----------|-----------|--|
| 1 | 2 | P/N 01506.82 Door (V) |
| 2 | 1 | P/N 01530.82 Wrapper (V) |
| 3 | 1 | P/N 00115.85 Drain Screen (V) |
| 4 | 4 | P/N 00906.00 1/4" - 20 1/2" Hexhead Bolt |
| 5 | 24 | P/N 00924.00 1/4" SS Washer |
| 6 | 24 | P/N 00912.00 1/4" - 20 Nylon Lock Nut |
| 7 | 6 | P/N 00941.00 10 - 32 x 5/8" Pan Head Screw |
| 8 | 1 | P/N 00120.82 Power Drain Cover |
| 9 | 4 | P/N 01310.20 Bullet Foot Plastic |

| ITEM NO. | NO. REQ'D | DESCRIPTION |
|----------|-----------|--|
| 10 | 4 | P/N 01554.82 Door Guide SS (V) |
| 11 | 1 | P/N 01562.82 Scrap Trap Drawer (V) |
| 12 | 1 | P/N 01573.82 Sani Mount/Drain Lid (V) |
| 13 | 1 | P/N 01502.82 Stand/Pan (V) |
| 14 | 1 | P/N 01505.84 Tray Track (VA-AH) Set of Two |
| 15 | 1 | P/N 01540.82 Wrapper Panel |
| 16 | 4 | P/N 00636.82 EZ Glide Door Guide Plastic |
| 17 | 2 | P/N 13706.00 Door Seal Gasket |
| 18 | 4 | P/N 01572.82 Legs (VA-CVA) |



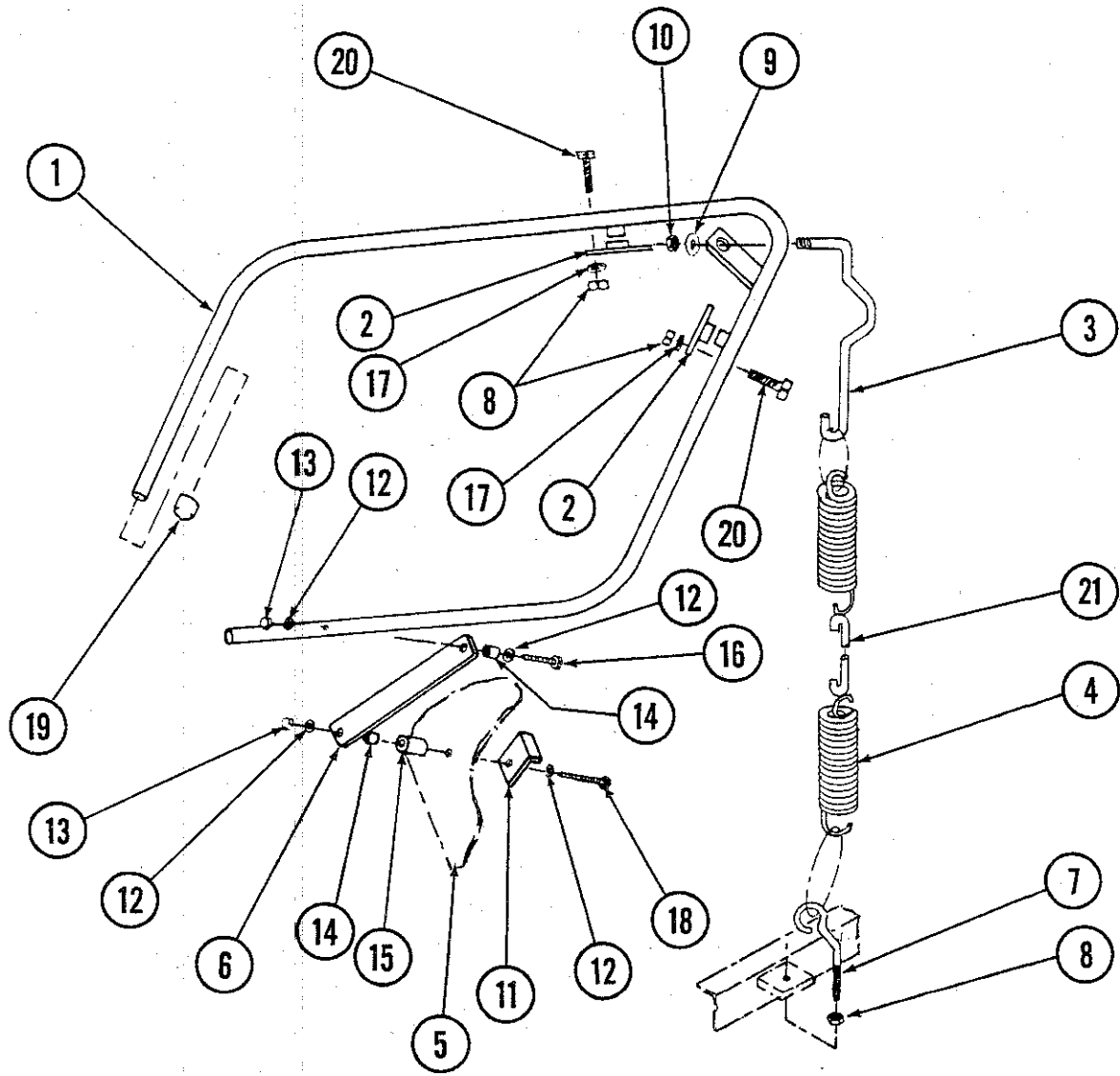
| ITEM NO. | NO. REQ'D | DESCRIPTION |
|----------|-----------|---|
| 1 | 2 | P/N 01506.82 Door (V) |
| 2 | 1 | P/N 01530.82 Wrapper (V) |
| 3 | 1 | P/N 00115.85 Drain Screen (V) |
| 4 | 4 | P/N 00906.00 1/4" - 20 1/2" Hex Head Bolt |
| 5 | 24 | P/N 00923.00 1/4" Brass Washer |
| 6 | 24 | P/N 00912.00 1/4" - 20 Nylon Lock Nut |
| 7 | 6 | P/N 00941.00 10 - 32 x 5/8" Panhead Screw |
| 8 | 1 | P/N 00120.82 Power Drain Cover |
| 9 | 4 | P/N 01310.20 Bullet Foot Plastic |
| 10 | 4 | P/N 01554.82 Door Guide SS (V) |

| ITEM NO. | NO. REQ'D | DESCRIPTION |
|----------|-----------|--|
| 11 | 1 | P/N 01562.82 Scrap Trap Drawer (V) |
| 12 | 1 | P/N 01573.82 Sani Mount/Drain Lid (V) |
| 13 | 1 | P/N 01502.82 Stand/Pan (V) |
| 14 | 1 | P/N 01505.82 Tray Track (V) |
| 15 | 1 | P/N 01540.82 Wrapper Panel |
| 16 | 4 | P/N 00636.82 EZ Glide Door Guide Plastic |
| 17 | 2 | P/N 13706.00 Door Seal Gasket |
| 18 | 1 | P/N 01582.00 Tray Track Guide |
| 19 | 4 | P/N 01572.82 Legs (VA - CVA) |



| ITEM NO. | NO. REQ'D | DESCRIPTION |
|----------|-----------|--|
| 1 | 1 | P/N 00613.82 Door Handle (V-AH) |
| 2 | 1 | P/N 01556.00 Door Handle Support (Right) |
| 3 | 2 | P/N 00603.07 Door Spring Extension Rod |
| 4 | 2 | P/N 00602.00 Door Spring |
| 5 | 2 | P/N 01506.82 Door (V) |
| 6 | 2 | P/N 01553.00 Door Handle Link |
| 7 | 2 | P/N 00606.00 5/16" - 18 x 7" Eyebolt |
| 8 | 2 | P/N 00913.00 5/16" - 18 Nut |
| 9 | 2 | P/N 00926.00 5/16" SS Washer |
| 10 | 2 | P/N 00900.00 Cotter Pin |

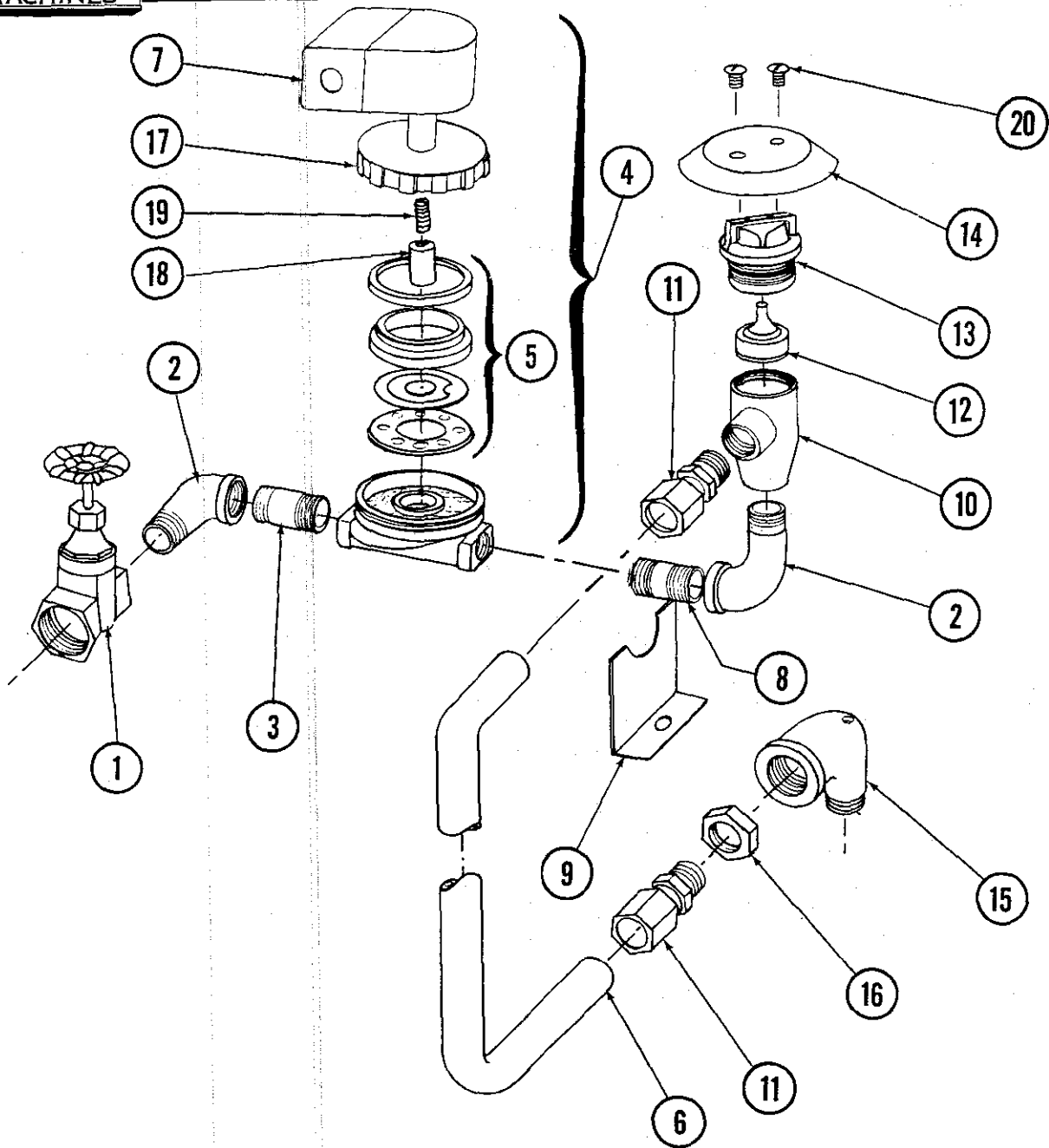
| ITEM NO. | NO. REQ'D | DESCRIPTION |
|----------|-----------|---|
| 11 | 4 | P/N 00906.00 1/4" - 20 x 1/2" Hex Head Screw |
| 12 | 6 | P/N 00924.00 1/4" SS Washer |
| 13 | 4 | P/N 00912.00 1/4" - 20 Nylon Insert Locknut |
| 14 | 4 | P/N 00610.00 Door Handle Spacer (Small) |
| 15 | 4 | P/N 00611.00 Door Handle Spacer (Large) |
| 16 | 2 | P/N 00910.00 1/4" - 20 x 1-1/2" Hex Bolt |
| 17 | 1 | P/N 01555.00 Door Handle Support (Left) |
| 18 | 2 | P/N 00903.00 1/4" - 20 x 1-3/4" Hex Head Bolt |
| 19 | 4 | P/N 00912.00 1/4" - 20 Nylon Insert Lock Nut |
| 20 | 2 | P/N 00607.07 Door Handle Cap |
| 21 | 2 | P/N 01552.00 Door Stop |



| ITEM NO. | NO. REQ'D | DESCRIPTION |
|----------|-----------|---|
| 1 | 1 | P/N 00613.84 Door Handle (C-VA) |
| 2 | 1 | P/N 00619.34 Door Handle Mounting Plate - Long |
| 3 | 1 | P/N 00603.84 Extension Rod (C-VA) |
| 4 | 2 | P/N 00602.00 Door Spring |
| 5 | 2 | P/N 01506.82 Door (V) |
| 6 | 2 | P/N 01553.00 Door Handle Link |
| 7 | 1 | P/N 00606.82 5/16" - 18 x 7" Eyebolt CVA (Angled) |
| 8 | 9 | P/N 00913.00 5/16" - 18 Nut |
| 9 | 9 | P/N 00926.00 5/16" SS Washer |
| 10 | 1 | P/N 13805.00 5/16" - 18 Nylon Insert Lock Nut |

| ITEM NO. | NO. REQ'D | DESCRIPTION |
|----------|-----------|--|
| 11 | 2 | P/N 01552.00 Door Stop |
| 12 | 6 | P/N 00924.00 1/4" SS Washer |
| 13 | 4 | P/N 00912.00 1/4" - 20 Nylon Insert Locknut |
| 14 | 4 | P/N 00610.00 Door Handle Spacer (Small) |
| 15 | 4 | P/N 00611.00 Door Spacer (Large) |
| 16 | 2 | P/N 00903.00 1/4" - 20 x 1-3/4" Hex Head Bolt |
| 17 | 8 | P/N 00926.00 5/16" SS Washer |
| 18 | 2 | P/N 00903.00 1/4" - 20 x 1-3/4" Hex Head Screw |
| 19 | 2 | P/N 00607.04 Door Handle Cap |
| 20 | 8 | P/N 00920.00 5/16" - 18 x 3/4" Hex Head Bolt |
| 21 | 1 | P/N 00604.84 Door Extension Link |

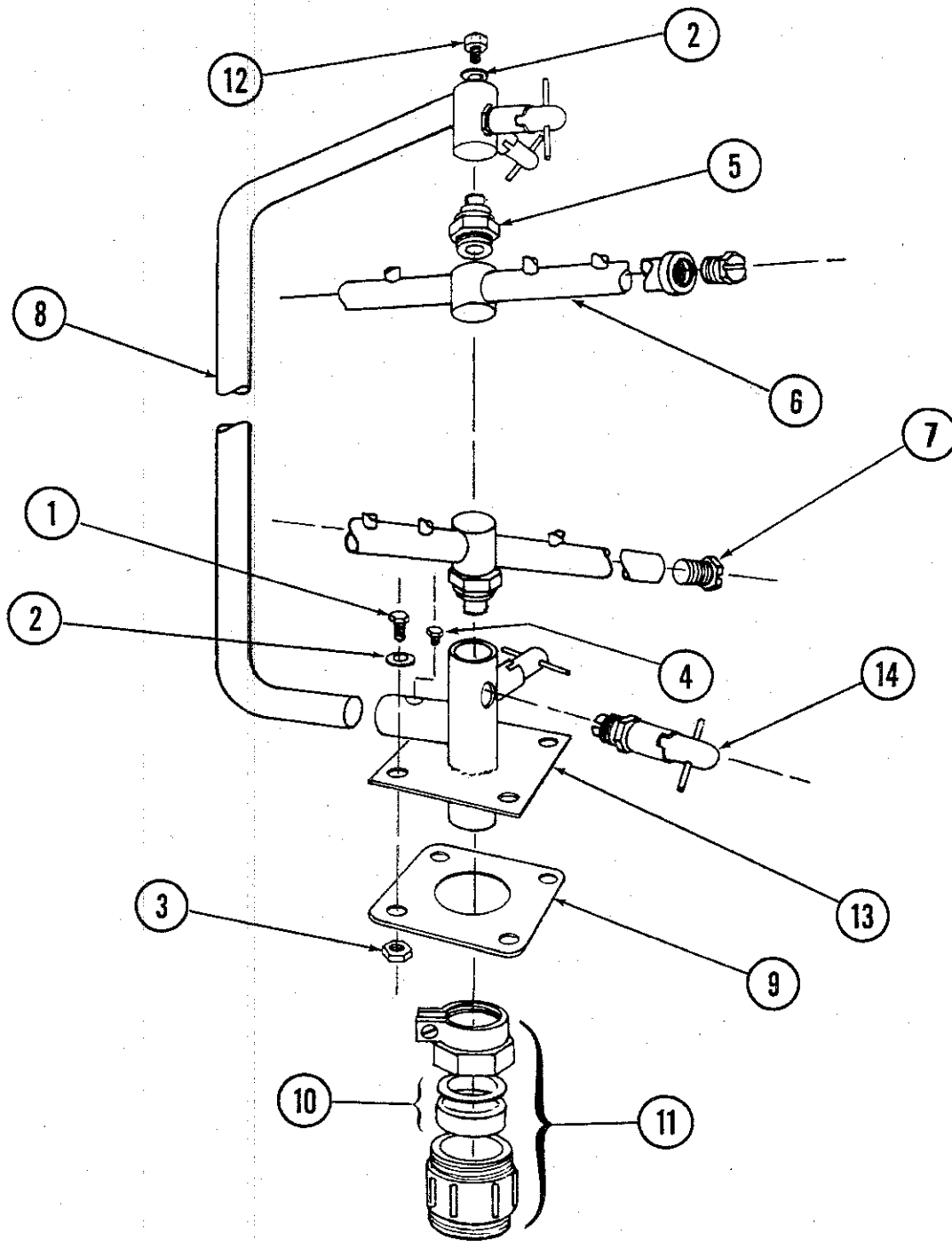
PLUMBING SYSTEM ASSEMBLY



| ITEM NO. | NO. REQ'D | DESCRIPTION |
|----------|-----------|---|
| 1 | 1 | P/N 03600.00 1/2" Gate Valve |
| 2 | 2 | P/N 00745.00 1/2" Street Elbow |
| 3 | 1 | P/N 00747.00 1/2" x 4-1/2" Nipple |
| 4 | 1 | P/N 03603.50 1/2" Water Solenoid Assembly J/E |
| 5 | 1 | P/N 00707.00 1/2" Water Solenoid Repair Kit |
| 6 | 1 | P/N 00796.82 Flush Tube (V) |
| 7 | 1 | P/N 00738.10 Water Solenoid Coil |
| 8 | 1 | P/N 00742.00 1/2" x 1-1/2" Brass Nipple |
| 9 | 2 | P/N 01525.00 Plumbing Support Bracket |
| 10 | 1 | P/N 03624.00 1/2" Vacuum Breaker Assembly Watts |

| ITEM NO. | NO. REQ'D | DESCRIPTION |
|----------|-----------|--|
| 11 | 2 | P/N 00760.00 5/8" Comp. x 1/2" MIP Adapter |
| 12 | 1 | P/N 03623.00 1/2" Vacuum Breaker Repair Kit |
| 13 | 1 | P/N 03624.10 1/2" Vacuum Breaker Bonnet Plastic |
| 14 | 1 | P/N 00739.50 Vacuum Breaker Cap SS |
| 15 | 1 | P/N 00745.82 Water Inlet street Elbow (V) |
| 16 | 1 | P/N 00721.00 1/2" Jamb Nut |
| 17 | - | P/N 03603.20 1/2" Water Solenoid Bonnet |
| 18 | - | P/N 00786.00 Water Solenoid Valve Plunger w/Spring |
| 19 | - | P/N 00706.10 Valve Plunger Spring Only |
| 20 | - | P/N 00421.51 6 - 32 x 1/4" SS Pan Head Screw |

SPRAY SYSTEM ASSEMBLY

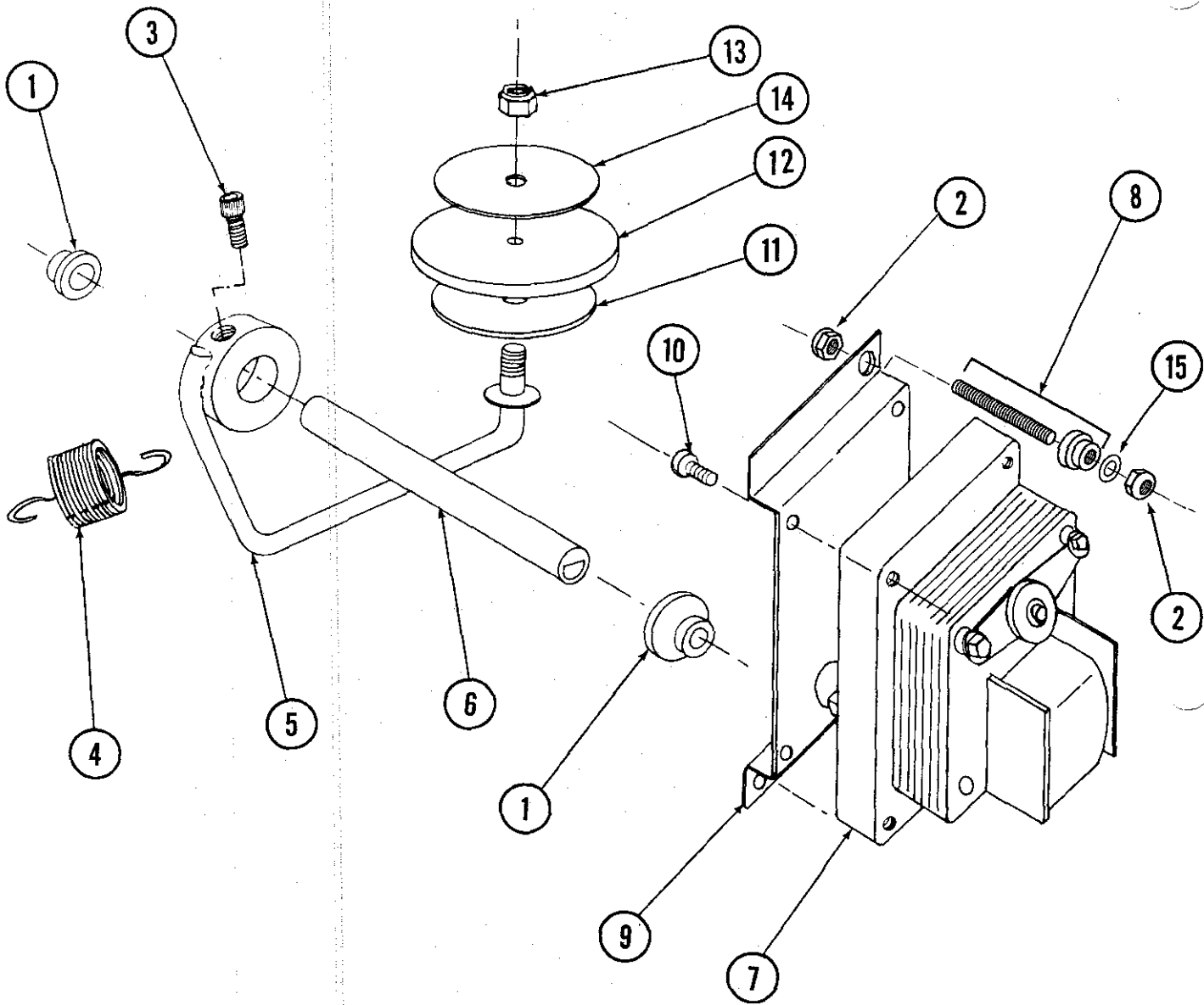


| ITEM NO. | NO. REQ'D | DESCRIPTION |
|----------|-----------|--|
| 1 | 4 | P/N 00914.00 1/4" - 20 x 3/4" Hex Head Bolt |
| 2 | 5 | P/N 00924.00 1/4" SS Washer |
| 3 | 4 | P/N 00912.00 1/4" - 20 Nylon Lock Nut |
| 4 | 1 | P/N 00966.10 10 - 32 x 1/4" Hex Head SS Bolt |
| 5 | 2 | P/N 00341.00 Spray Arm Bearing |
| 6 | 2 | P/N 00304.06 A/C Spray Arm |
| 7 | 4 | P/N 00308.50 Spray Arm End Plug |
| *8 | 1 | P/N 00305.83 Spray Manifold VA (New) |

| ITEM NO. | NO. REQ'D | DESCRIPTION |
|----------|-----------|---|
| 9 | 1 | P/N 04306.00 Square Manifold Gasket |
| 10 | 1 | P/N 00225.00 1" Compression Gasket |
| *11 | 1 | P/N 00221.00 1" Compression Fitting |
| 12 | 1 | P/N 00905.82 1/4" - 20 x 3/8" Truss Head Bolt |
| *13 | 1 | P/N 00360.84 Lower VA Spray Base (New) |
| 14 | 4 | P/N 00363.00 Spray Base Lock Pin |

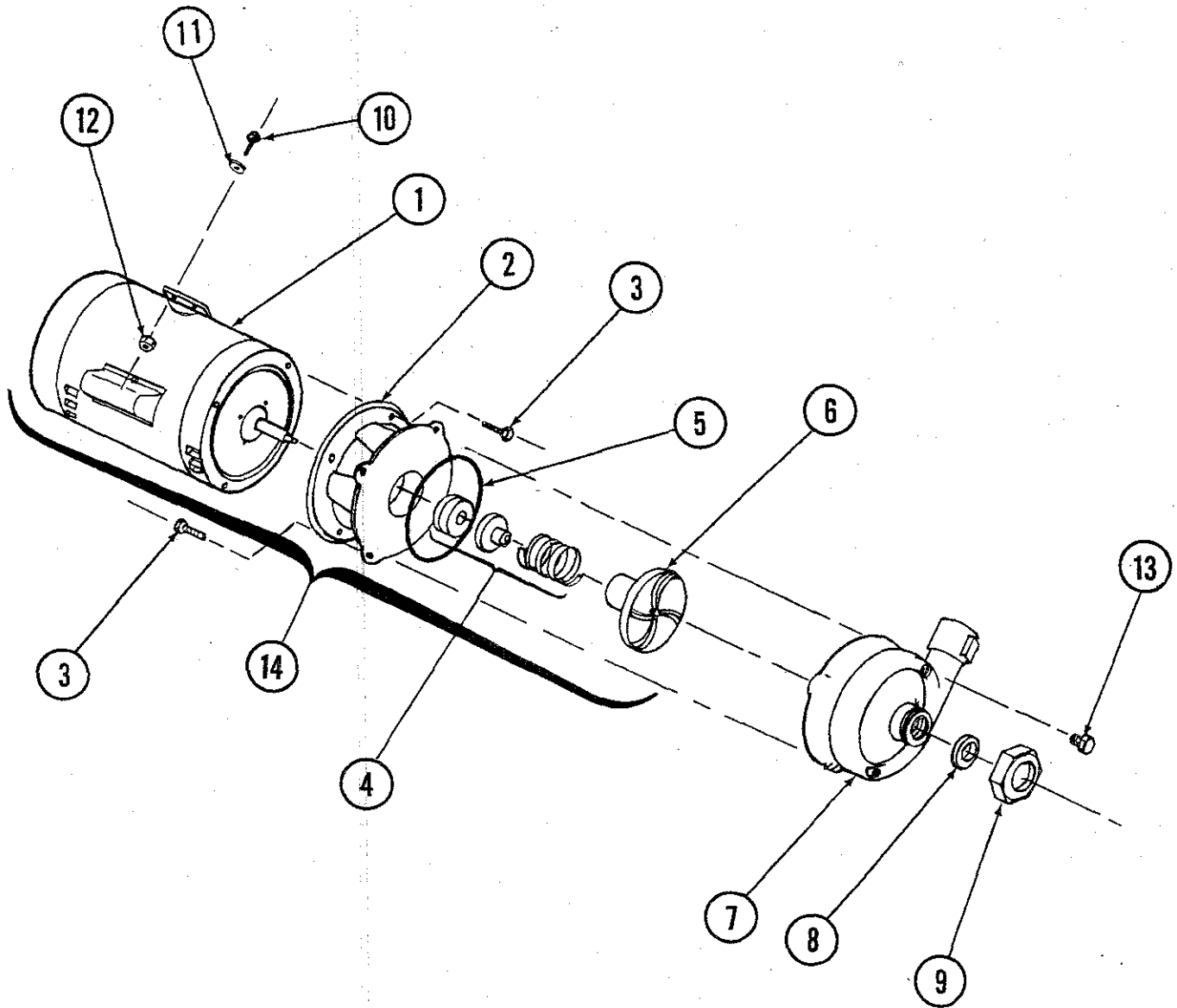
* Item #8 includes 2 pcs. of Item #14
 * Item #13 includes 2 pcs. of Item #14
 * Item #11 includes Item #10

POWER DRAIN ASSEMBLY



| ITEM NO. | NO. REQ'D | DESCRIPTION |
|----------|-----------|---|
| 1 | 2 | P/N 00938.82 1/2" Drain Bushing Brass (V) |
| 2 | 4 | P/N 03801.00 10 - 32 Lock Nut |
| 3 | 1 | P/N 00906.82 1/4" - 20 x 5/8" Socket Head Screw |
| 4 | 1 | P/N 00105.82 Drain Spring (V) |
| 5 | 1 | P/N 00108.82 Drain Actuator Arm (V) |
| 6 | 1 | P/N 00109.82 Drain Actuator Shaft (V) |
| 7 | 1 | P/N 00104.82 Drain Motor (V) |

| ITEM NO. | NO. REQ'D | DESCRIPTION |
|----------|-----------|---|
| 8 | 2 | P/N 00109.40 Shoulder Nut SS |
| 9 | 1 | P/N 01511.84 Drain Motor Bracket - 3rd Generation |
| 10 | 2 | P/N 00941.00 10 - 32 x 5/8" Panhead Screw |
| 11 | 1 | P/N 01520.82 Diaphragm Support Disc 1-1/8" |
| 12 | 1 | P/N 00121.60 Drain Diaphragm |
| 13 | 1 | P/N 00912.00 1/4" - 20 Nylon Lock Nut |
| 14 | 1 | P/N 01521.82 Diaphragm Support Disc 2" |
| 15 | 2 | P/N 04806.00 #10 Brass Washer |

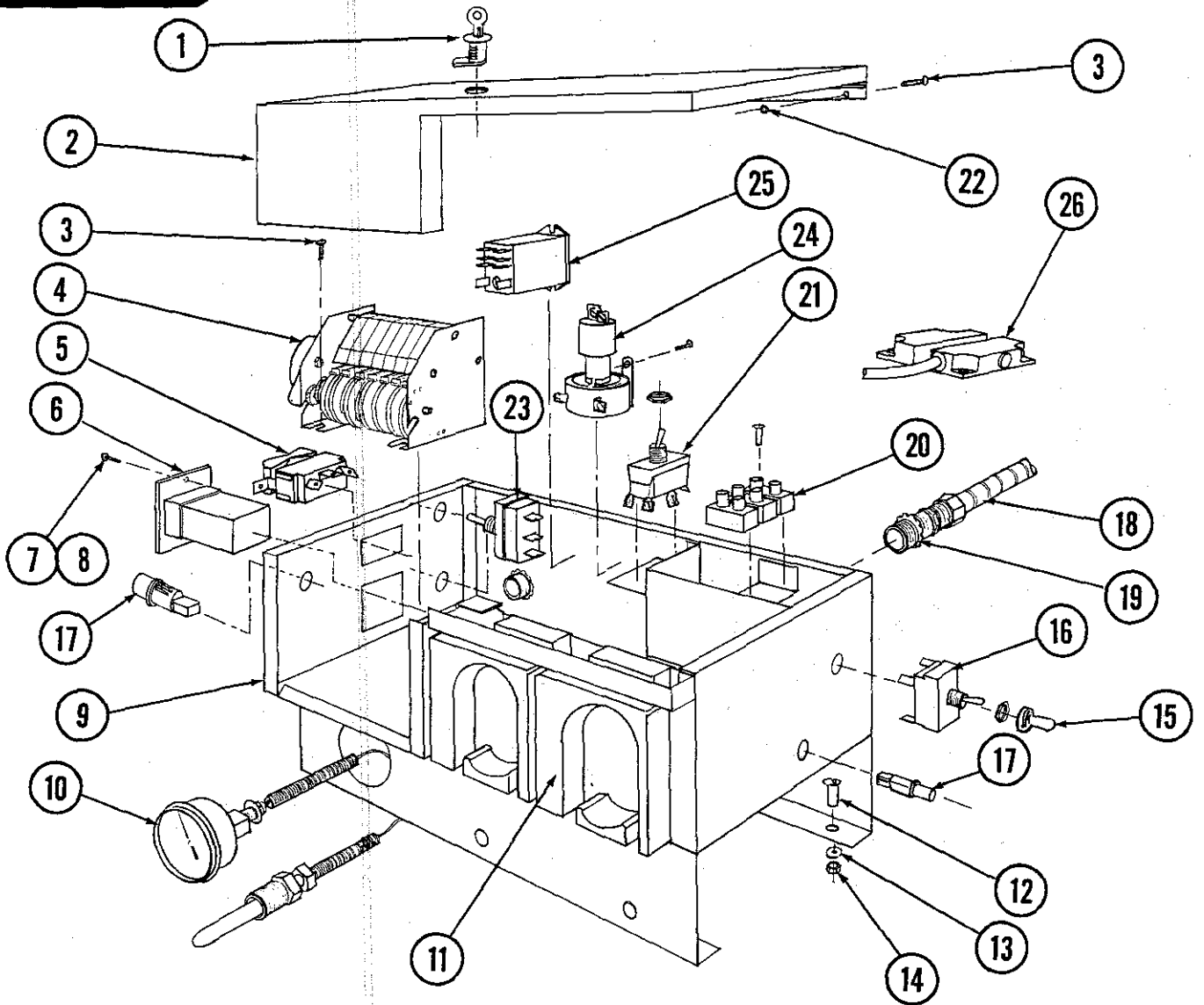


| ITEM NO. | NO. REQ'D | DESCRIPTION |
|----------|-----------|--|
| 1 | 1 | P/N 00201.00 Pump Motor 1 HP |
| 2 | 1 | P/N 03224.00 Small Pump Base |
| 3 | 8 | P/N 00921.00 3/8" - 16 x 34" Hex Head Bolt |
| 4 | 1 | P/N 00206.00 Pump Seal Kit |
| 5 | 1 | P/N 03226.00 Pump "O" Ring |
| 6 | 1 | P/N 03222.05 Impeller |
| 7 | 1 | P/N 04206.00 Pump Cover (Small) |

| ITEM NO. | NO. REQ'D | DESCRIPTION |
|----------|-----------|--|
| 8 | 1 | P/N 00208.00 Slip Joint Nut Gasket |
| 9 | 1 | P/N 04204.00 Compression Nut (2.5) |
| 10 | 2 | P/N 00906.00 1/4" - 20 x 1/2" Hex Bolt |
| 11 | 2 | P/N 00924.00 1/4" SS Washer |
| 12 | 2 | P/N 00912.00 1/4" - 20 Nylon Lock Nut |
| 13 | 2 | P/N 00238.00 3/8" Male Plug |
| 14 | Assy. | P/N 00200.10 Pump Assy. |

NOTE: * P/N 00200.10 Includes Items 1, 2, 3, 4, 5, and 6.

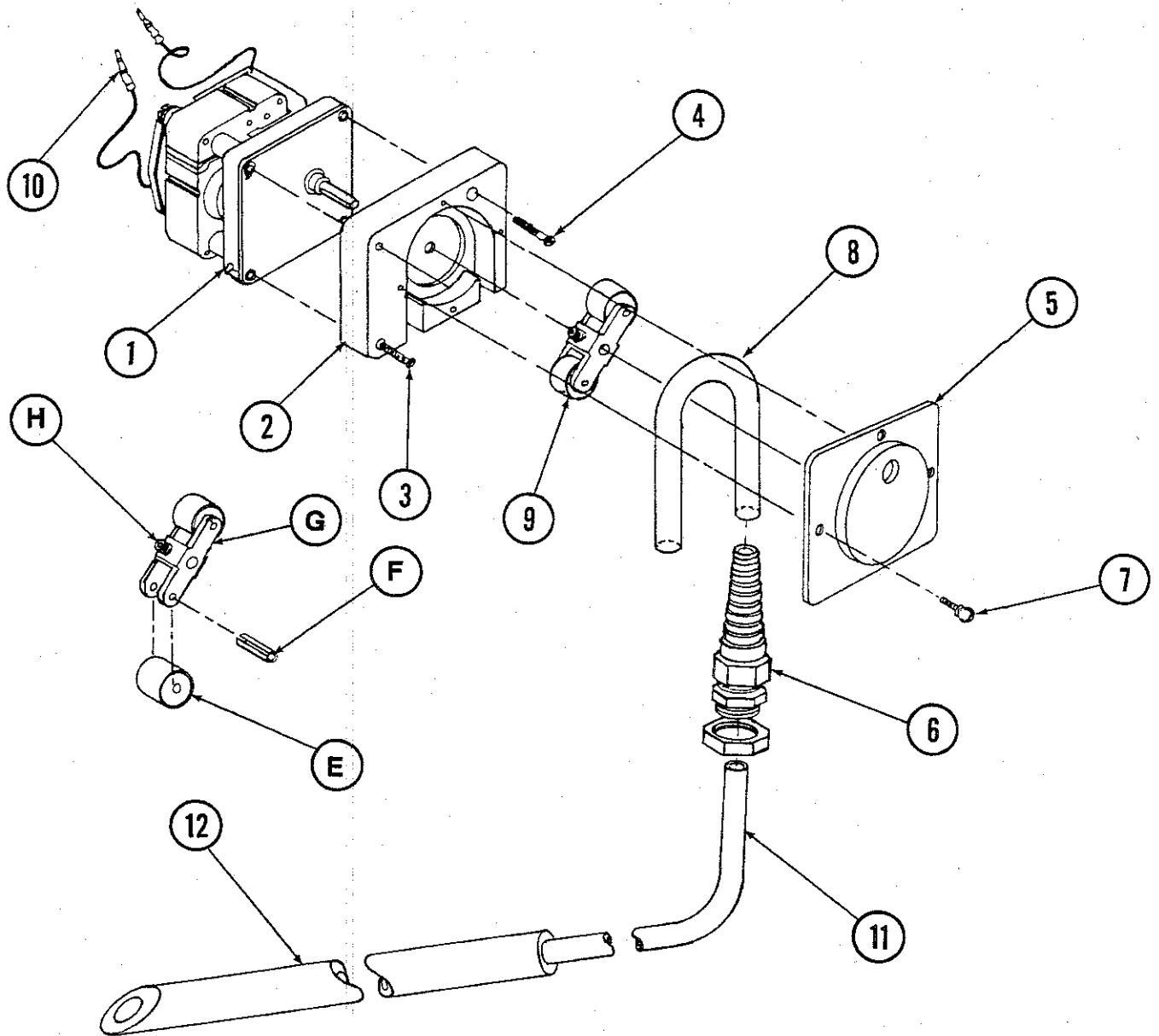
CONTROL BOX ASSEMBLY



| ITEM NO. | NO. REQ'D | DESCRIPTION |
|----------|-----------|---|
| 1 | 1 | P/N 00449.00 Lock and Key |
| 2 | 1 | P/N 01504.82 Control Box Lid (V) |
| 3 | 5 | P/N 00911.50 8 - 32 x 3/8" Pan Head Screw |
| 4 | 1 | P/N 00407.00 90 Second Timer |
| 5 | 1 | P/N 00421.50 Rocker Start/Fill Switch |
| 6 | 1 | P/N 03408.50 Counter (Face Mount) |
| 7 | 4 | P/N 00907.00 6 - 32 x 1/2" SS Panhead Screw |
| 8 | 4 | P/N 00917.00 8 - 32 PM Nut |
| 9 | 1 | P/N 01503.82 Control Box Body (V) |
| 10 | 1 | P/N 03202.00 Thermometer |
| *11 | 3 | P/N 00415.00 Peristaltic Pump Assembly |
| 12 | 4 | P/N 00906.00 1/2" - 20 x 1/2" Hexhead Bolt |
| 13 | 4 | P/N 00924.00 1/4" SS Washer |
| 14 | 4 | P/N 00912.00 1/4" - 20 Nylon Lock Nut |

| ITEM NO. | NO. REQ'D | DESCRIPTION |
|----------|-----------|---|
| 15 | 1 | P/N 00470.10 Toggle Switch Boot |
| 16 | 1 | P/N 00471.10 Toggle Switch Off/On 20 Amp |
| 17 | 2 | P/N 00406.00 Control Box Light (120V, 60HZ) |
| 18 | as req'd | P/N 00400.00 3/8" Sealtite Conduit |
| 19 | 3 | P/N 00401.00 ST - 3/8" Connector |
| 20 | 1 | P/N 00454.10 3 Pole Socket Terminal Block |
| 21 | 1 | P/N 00475.00 Toggle Switch (15A) |
| 22 | 3 | P/N 00927.00 8 - 32 Nylon Lock Nut |
| 23 | 2 | P/N 03470.00 Toggle Switch |
| 24 | 1 | P/N 00404.00 Mercury Relay (Single) |
| 25 | 1 | P/N 00631.00 Ice Cube Relay |
| 26 | 1 | P/N 00557.50 Reed Switch |
| - | 1 | P/N 00414.82 Wiring Harness (V) |

* See Page 12 for Details

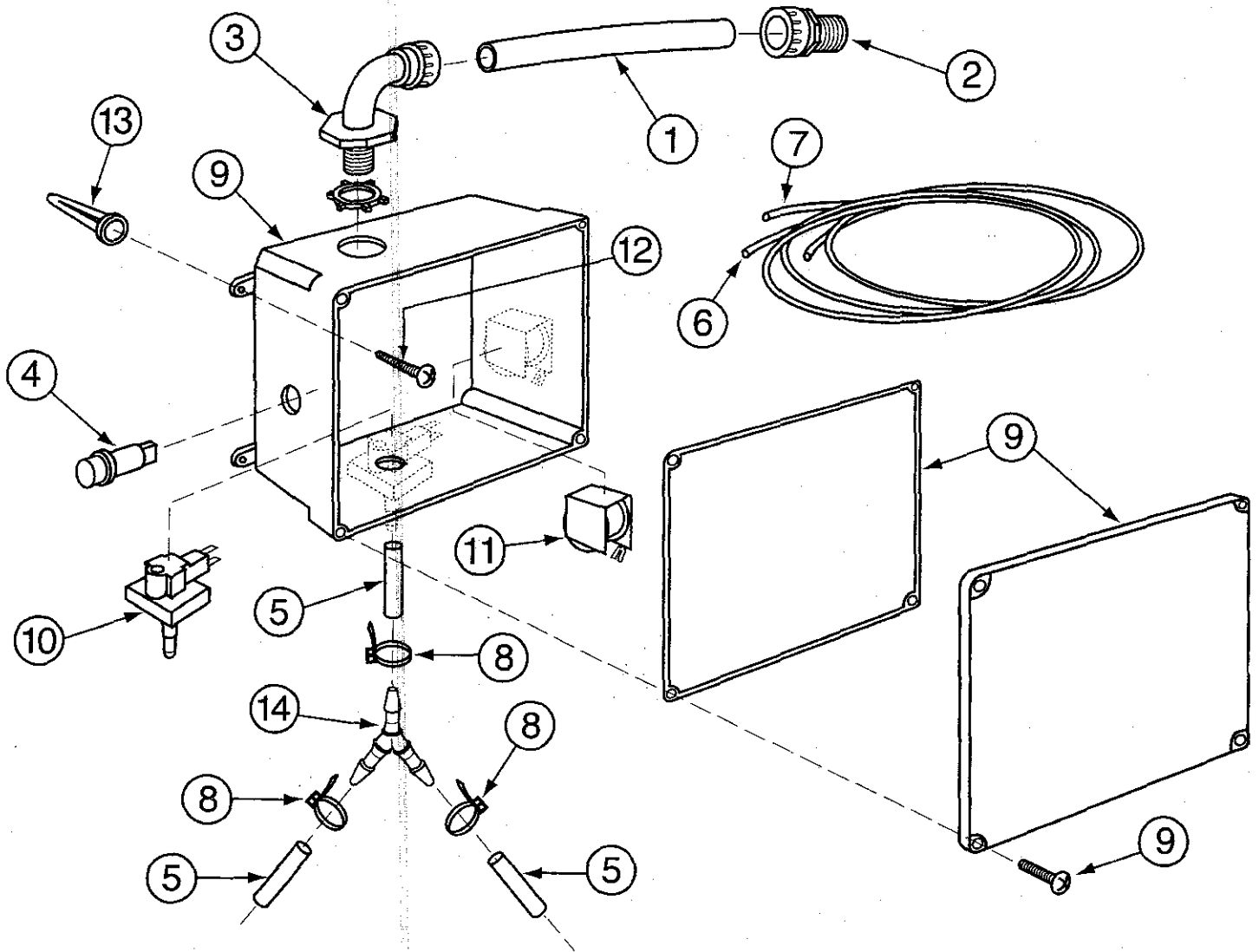


| ITEM NO. | NO. REQ'D | DESCRIPTION |
|----------|-----------|--|
| 1 | 1 | P/N 00416.00 Peristaltic Pump Motor |
| 2 | 1 | P/N 00417.00 Peristaltic Pump Block |
| 3 | 2 | P/N 00919.00 10 - 32 x 1-1/2" Pan Head Screw |
| 4 | 1 | P/N 00918.00 10 - 32 x 1-1/2" Fillister Head Screw |
| 5 | 1 | P/N 00418.00 Peristaltic Pump Block Cover |
| 6 | 1 | P/N 03415.50 Flex-Tight Fitting |
| 7 | 4 | P/N 00973.00 8 - 32 x 1/2" Thumbscrew |
| 8 | 1 | P/N 00435.00 Squeeze Tube |
| 9 | 1 | P/N 00419.00 2 Bearing Rotor Assembly |

| ITEM NO. | NO. REQ'D | DESCRIPTION |
|----------|-----------|---|
| E | 2 | P/N 00423.00 Rotor Bearing |
| F | 2 | P/N 00422.00 Rotor Bearing Pin |
| G | 1 | P/N 00424.00 Rotor Bearing Carriage |
| H | 1 | P/N 00935.00 1/4" - 20 x 1/4" Allen Screw |
| 10 | 2 | P/N 00448.00 Barrel Connector (Male) |
| 11 | as req'd | P/N 00425.51 Chemical Tubing (blue) |
| 11 | as req'd | P/N 00425.53 Chemical Tubing (red) |
| 11 | as req'd | P/N 00425.54 Chemical Tubing (white) |
| 12 | 1 | P/N 00443.00 Tube Stiffener |

OPTIONAL SANI ALARM

PART NUMBER 12508.00



| ITEM NO. | NO. REQ'D | DESCRIPTION |
|----------|-----------|---|
| 1 | 3 | P/N 00400.00 CONDUIT 3/8" SEALTITE |
| 2 | 1 | P/N 00401.00 ST. 3/8" STRAIGHT CONNECTOR |
| 3 | 1 | P/N 00402.00 ST. 90 DEGREE 3/8" CONNECTOR |
| 4 | 1 | P/N 00406.00 CONTROL BOX LIGHT .5" DIAMETER - RED |
| 5 | 1 | P/N 00435.00 SQUEEZE TUBE 8" |
| 6 | 6 | P/N 00521.00 WIRE 18" GAUGE ORANGE |
| 7 | 6 | P/N 00531.00 WIRE 18" GAUGE WHITE |
| 8 | 5 | P/N 00931.00 WIRE TIE SMALL |
| 9 | 1 | P/N 12510.00 SANITIZER ALARM BOX |
| 10 | 1 | P/N 12511.00 SANITIZER LOW LEVEL VACUUM SWITCH |
| 11 | 1 | P/N 12512.00 SANITIZER ALARM BUZZER 120V |
| 12 | 4 | P/N 40126.10 #10X3/4" SHEET METAL SCREW |
| 13 | 4 | P/N 40127.00 WALL ANCHORS |
| 14 | 1 | P/N 00426.00 Y HOSE CONNECTOR 3/16" |

MODELS VA, CVA DISHMACHINES

