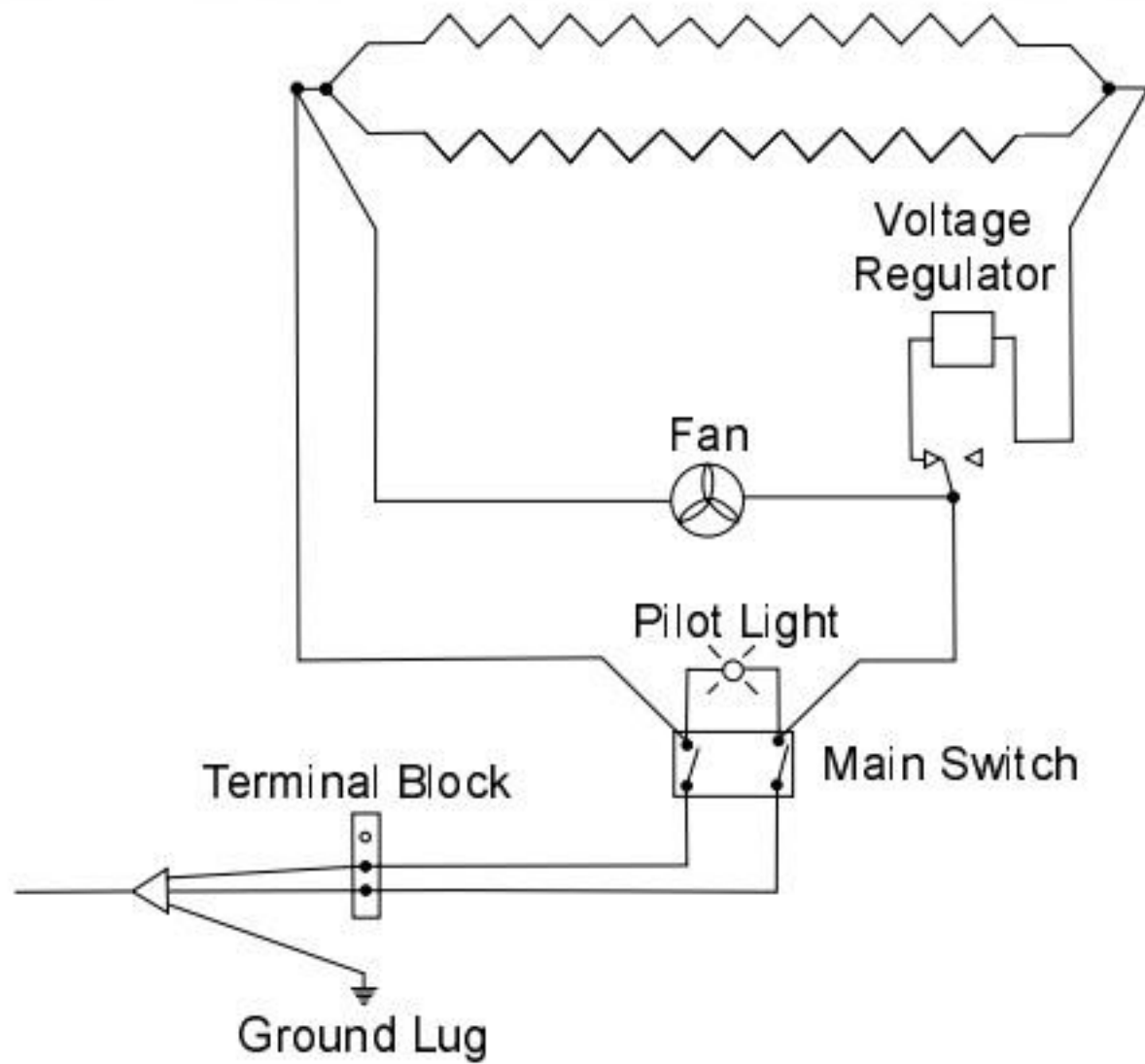


Electrical Schematic (24" and 36" models)



Electrical Schematic (48" model)

