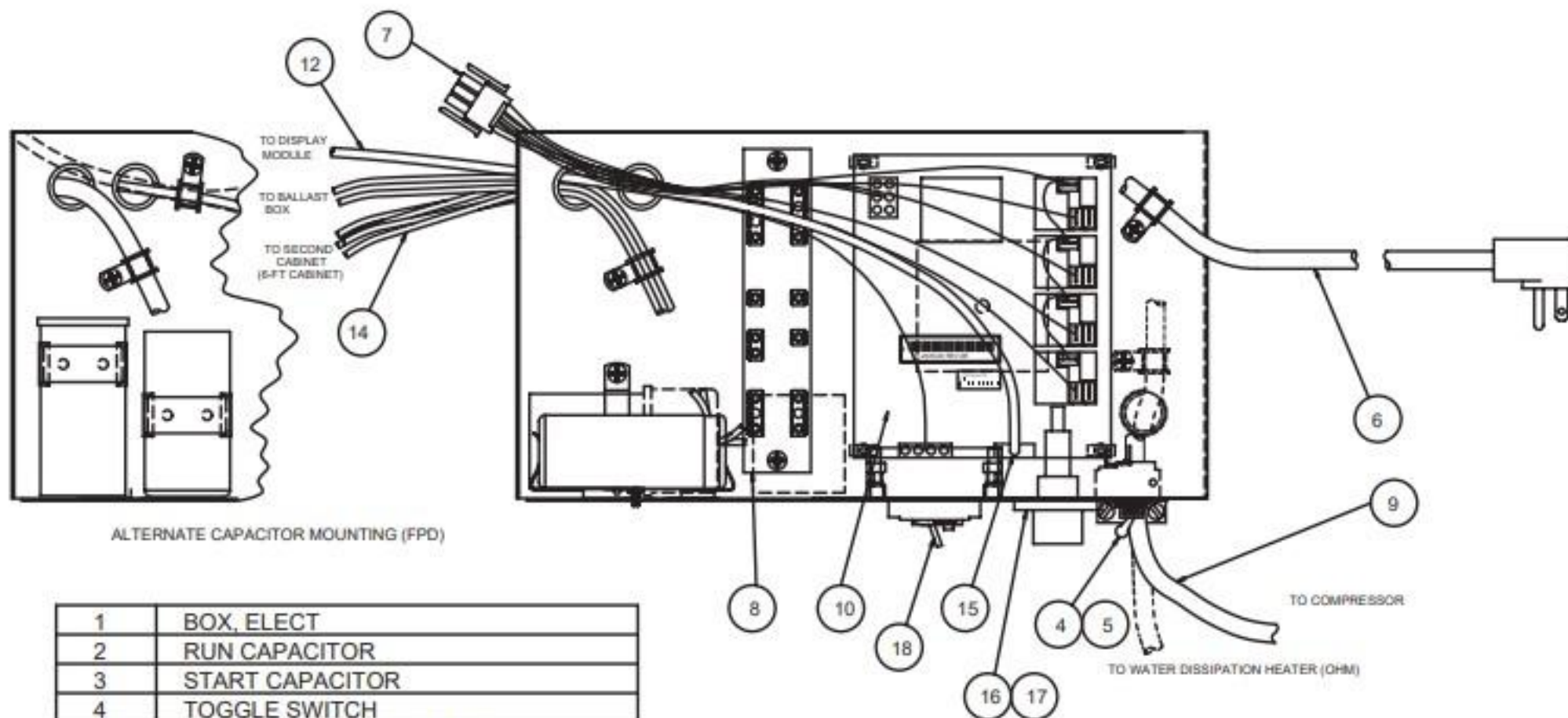
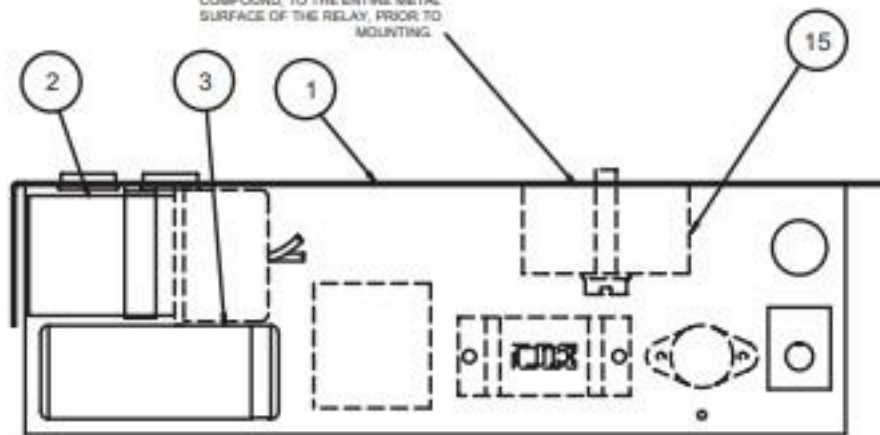
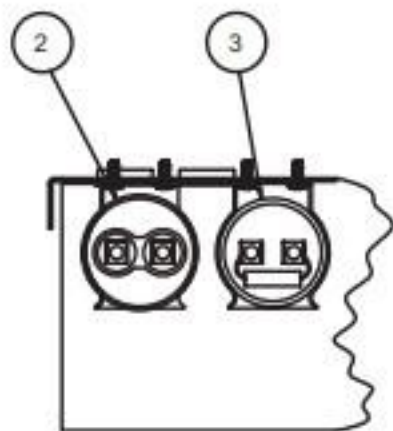
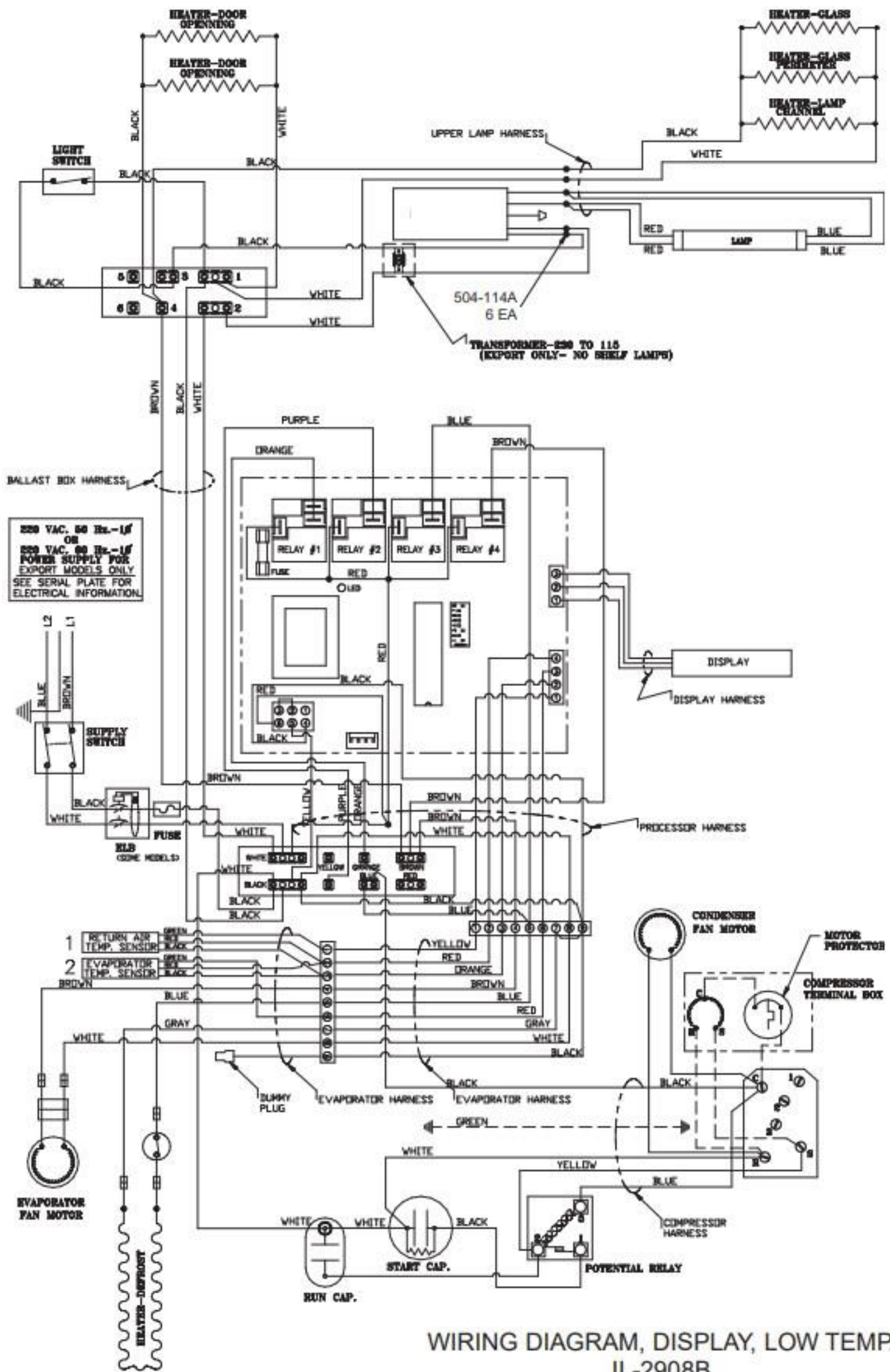


APPLY A THIN COATING OF THE
OF THE ENCLOSED THERMAL JOINT
COMPOUND, TO THE ENTIRE METAL
SURFACE OF THE RELAY, PRIOR TO
MOUNTING.

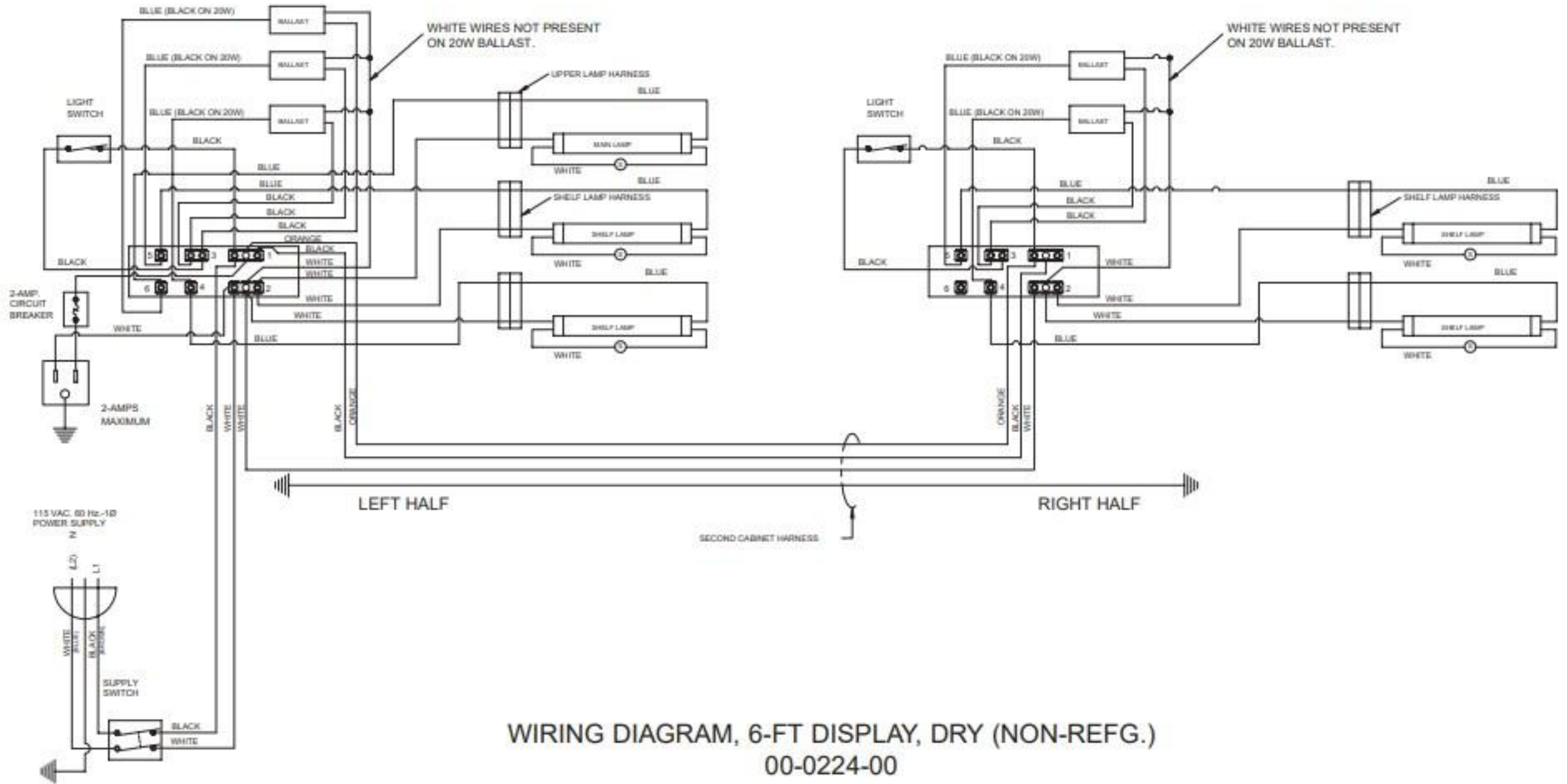


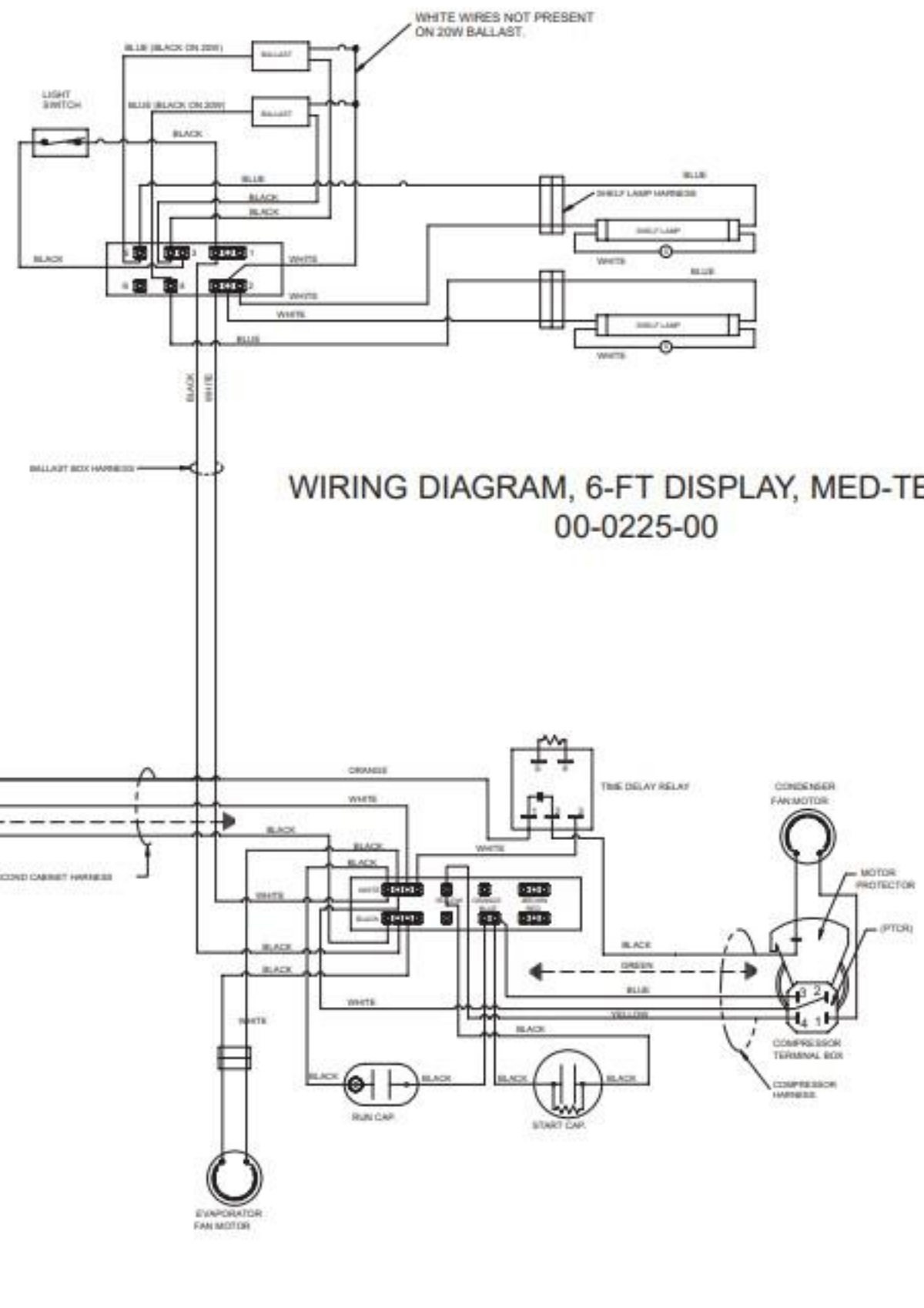
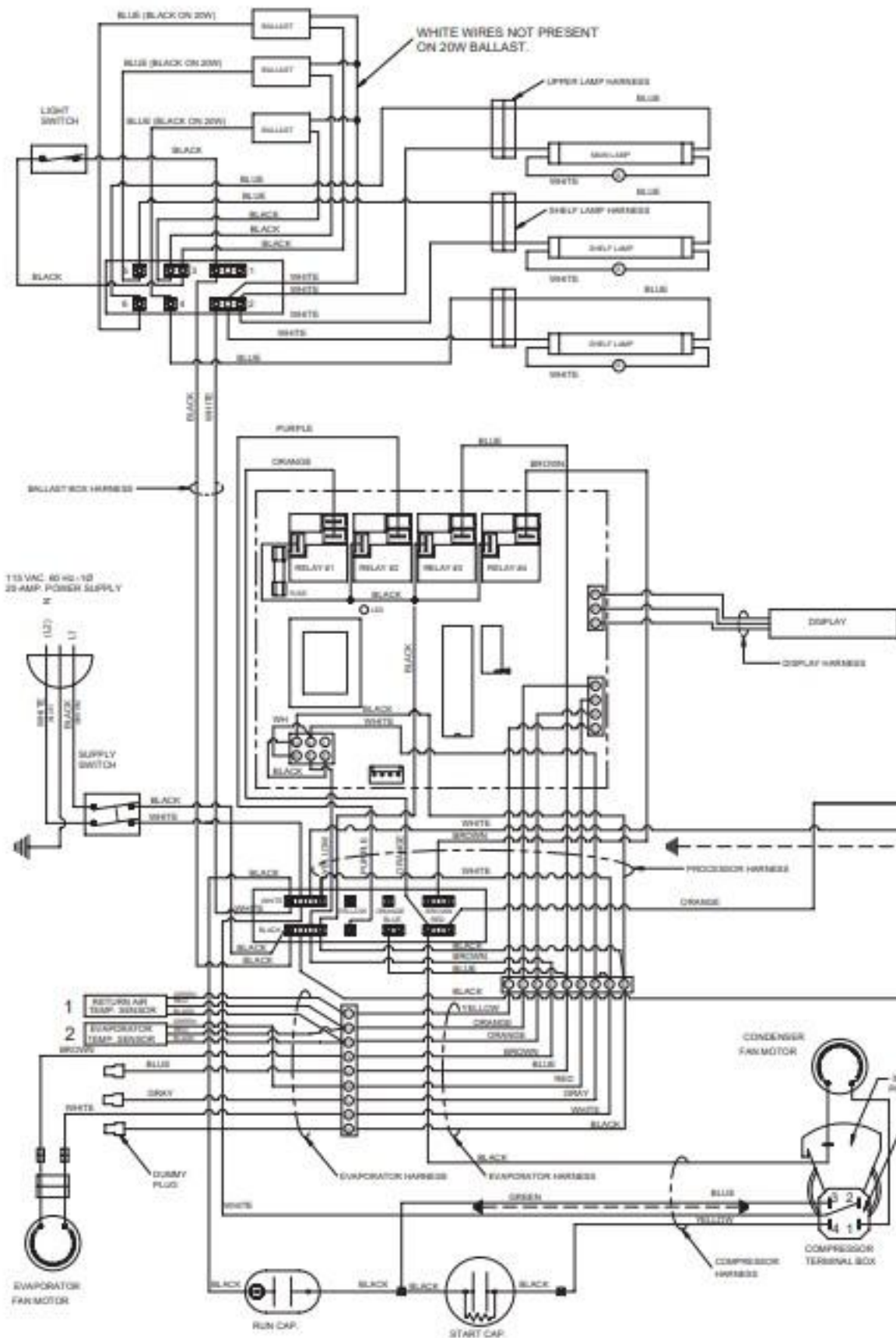
ALTERNATE CAPACITOR MOUNTING (FPD)

1	BOX, ELECT
2	RUN CAPACITOR
3	START CAPACITOR
4	TOGGLE SWITCH
5	ON/OFF INDICATOR PLATE
6	POWER CORD
7	HARNESS, ELECT BOX
8	BOARD, MAIN TERMINAL
9	COMPRESSOR HARNESS
10	CIRCUIT BOARD
11	HARNESS, EVAP FAN
12	HARNESS, DISPLAY
13	RELAY
14	HARNESS, SECOND CABINET
15	RELAY
16	FUSEHOLDER
17	FUSE
18	ELB ASSY

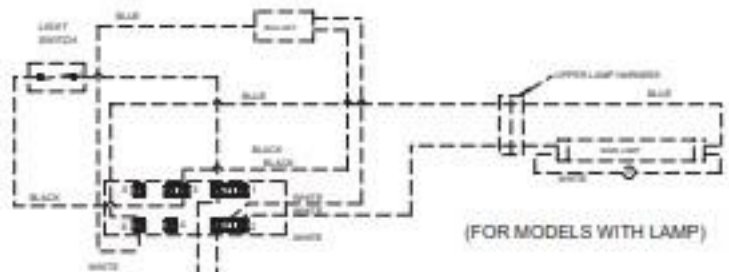


WIRING DIAGRAM, DISPLAY, LOW TEMP. IL-2908B

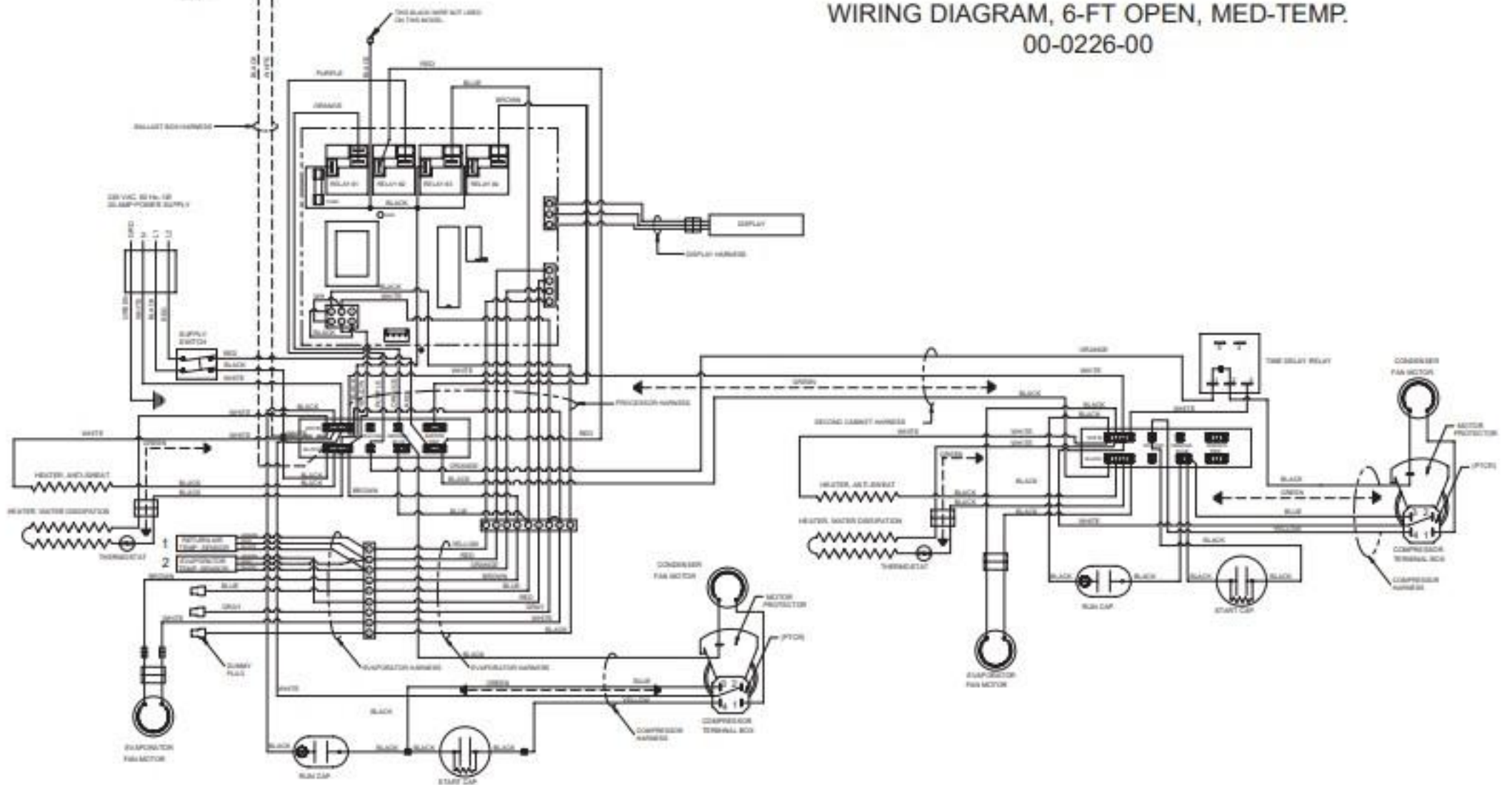


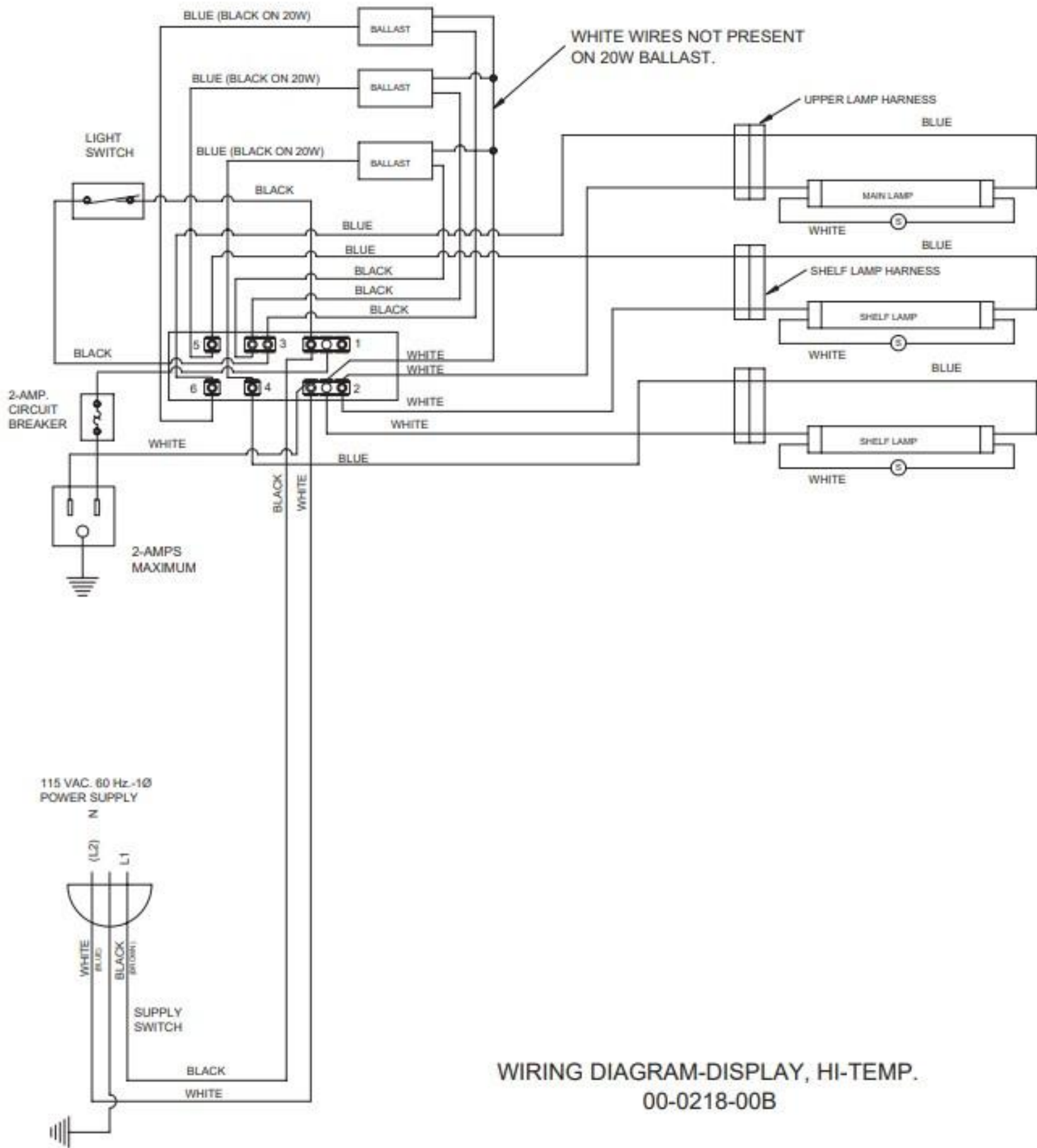


WIRING DIAGRAM, 6-FT DISPLAY, MED-TEMP.
00-0225-00

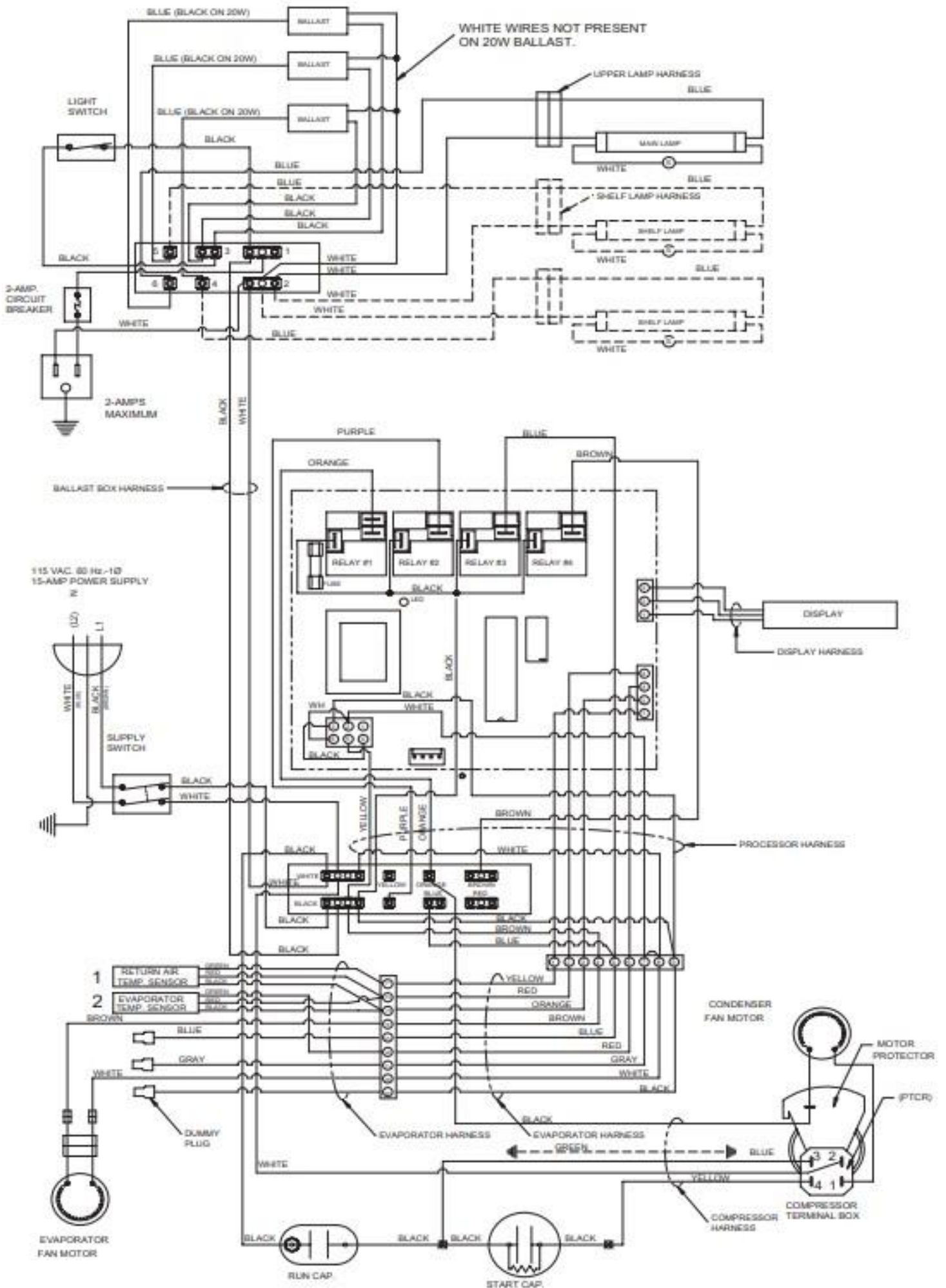


WIRING DIAGRAM, 6-FT OPEN, MED-TEMP.
00-0226-00





WIRING DIAGRAM-DISPLAY, HI-TEMP.
 00-0218-00B



WIRING DIAGRAM-DISPLAY, MED-TEMP.
00-0217-00

