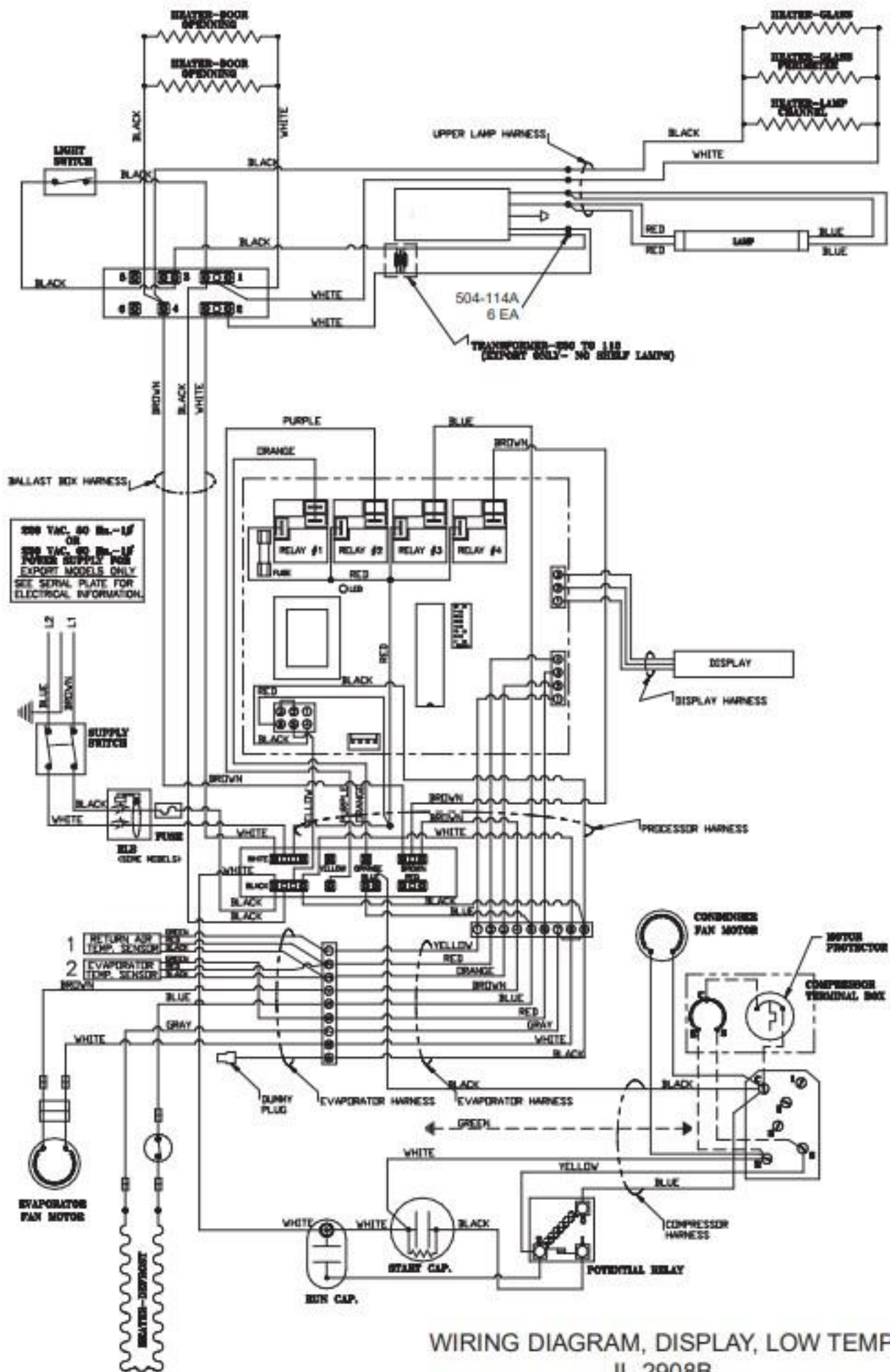
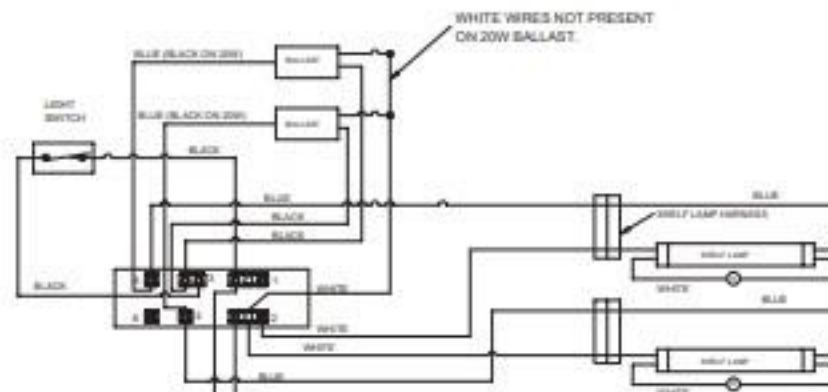
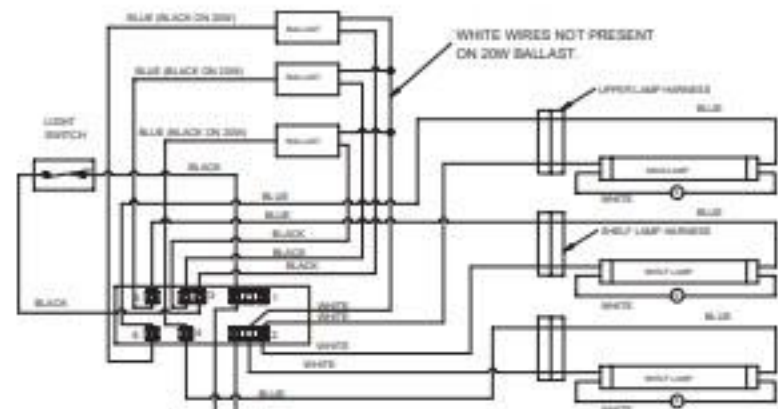


1	BOX, ELECT
2	RUN CAPACITOR
3	START CAPACITOR
4	TOGGLE SWITCH
5	ON/OFF INDICATOR PLATE
6	POWER CORD
7	HARNESS, ELECT BOX
8	BOARD, MAIN TERMINAL
9	COMPRESSOR HARNESS
10	CIRCUIT BOARD
11	HARNESS, EVAP FAN
12	HARNESS, DISPLAY
13	RELAY
14	HARNESS, SECOND CABINET
15	RELAY
16	FUSEHOLDER
17	FUSE
18	ELB ASSY

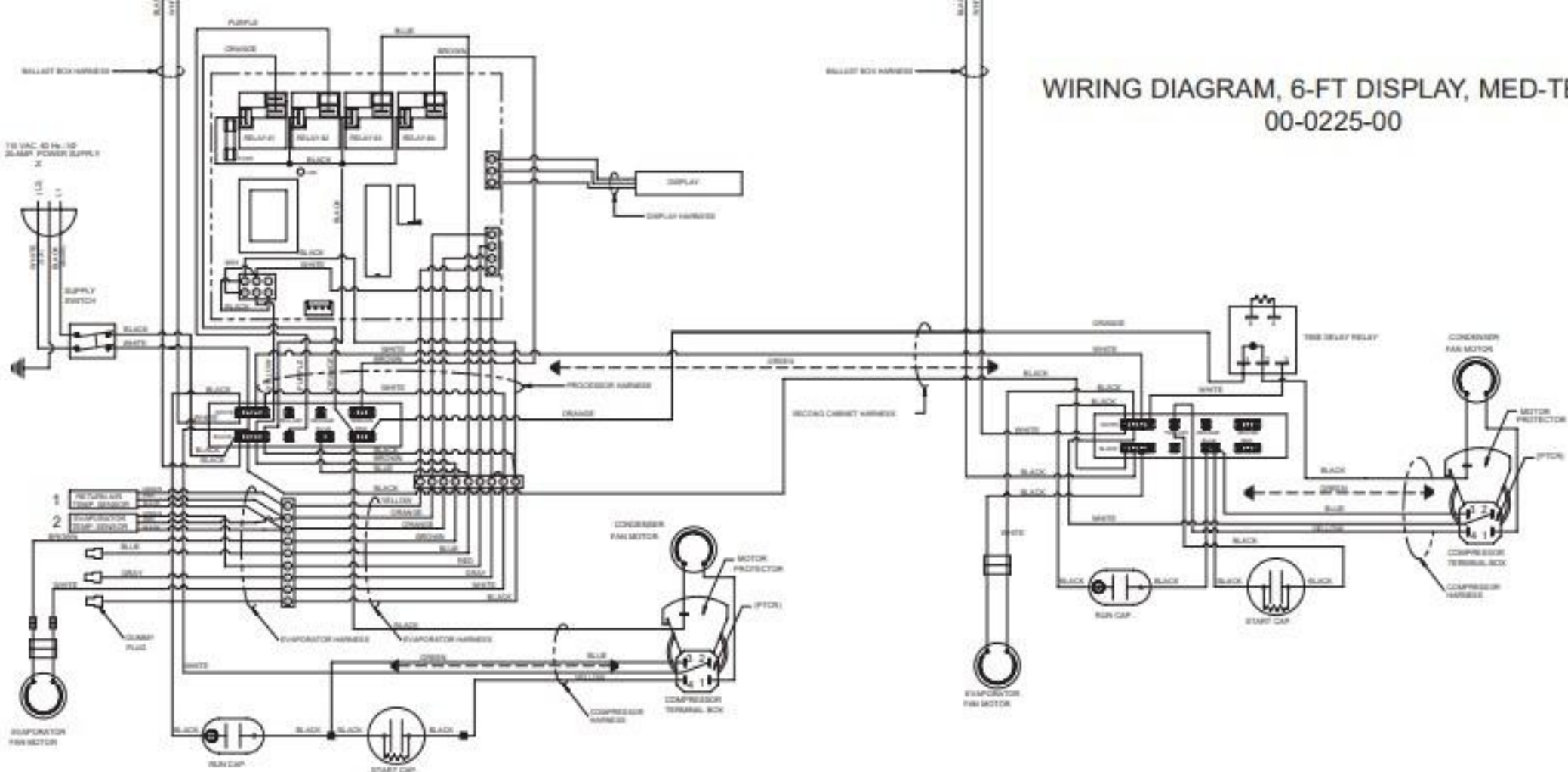


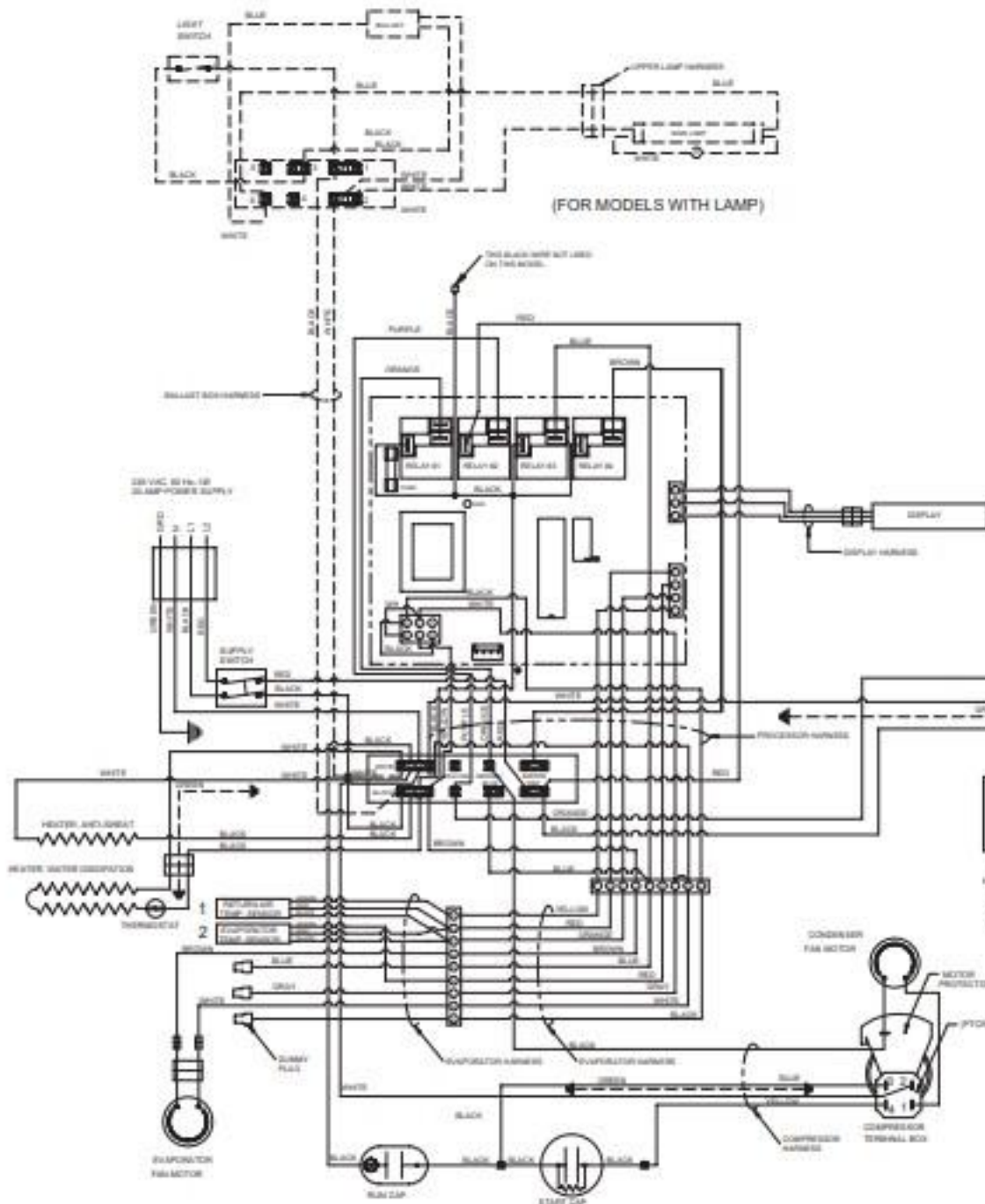
WIRING DIAGRAM, DISPLAY, LOW TEMP.  
IL-2908B



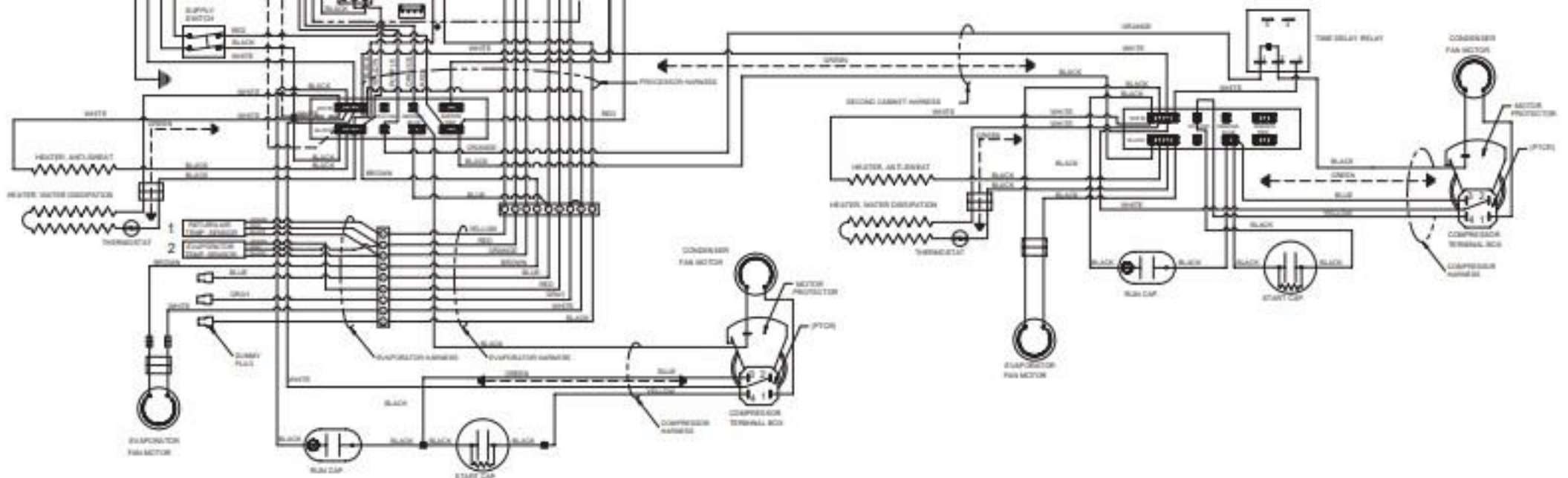


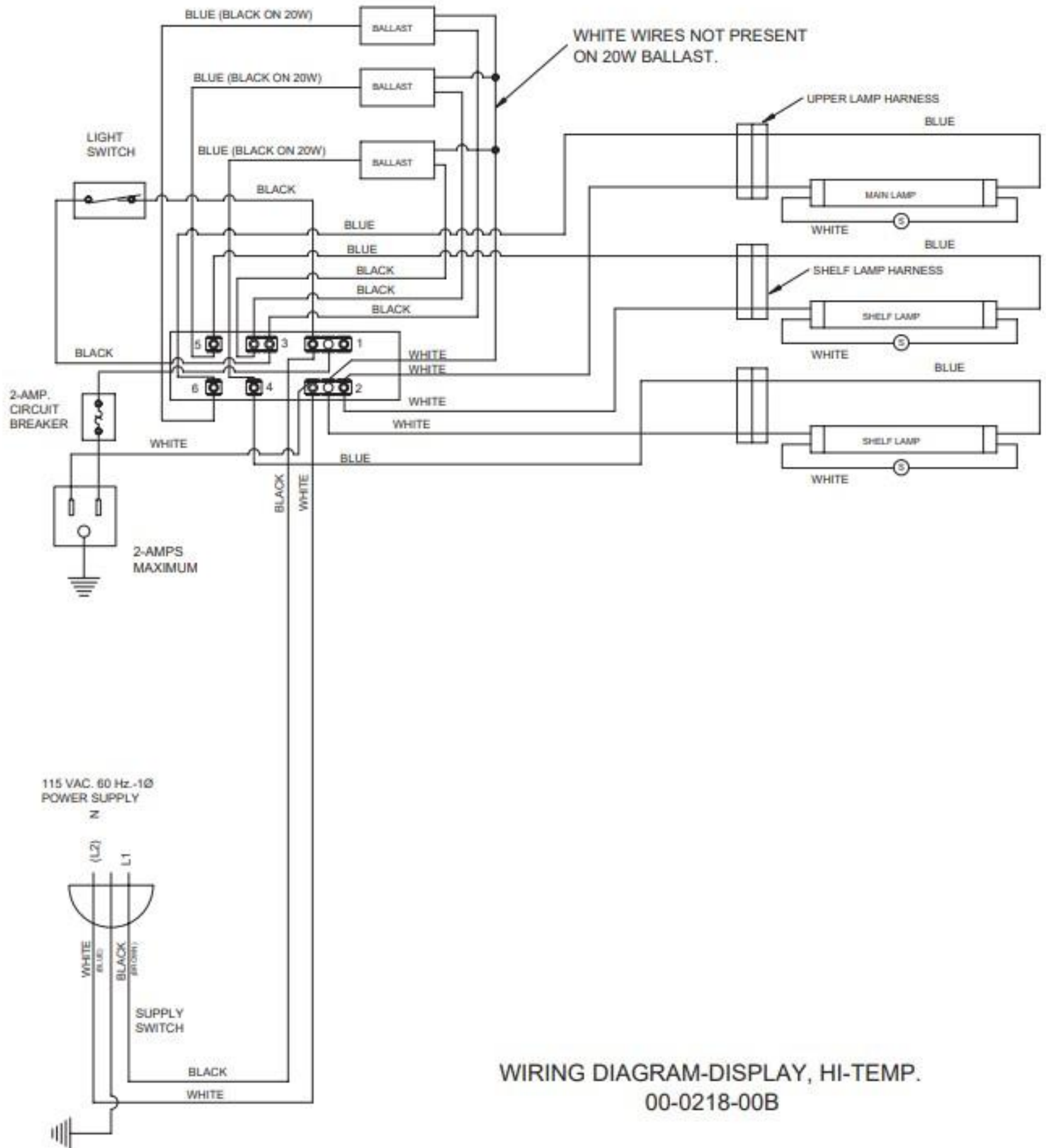
WIRING DIAGRAM, 6-FT DISPLAY, MED-TEMP.  
00-0225-00





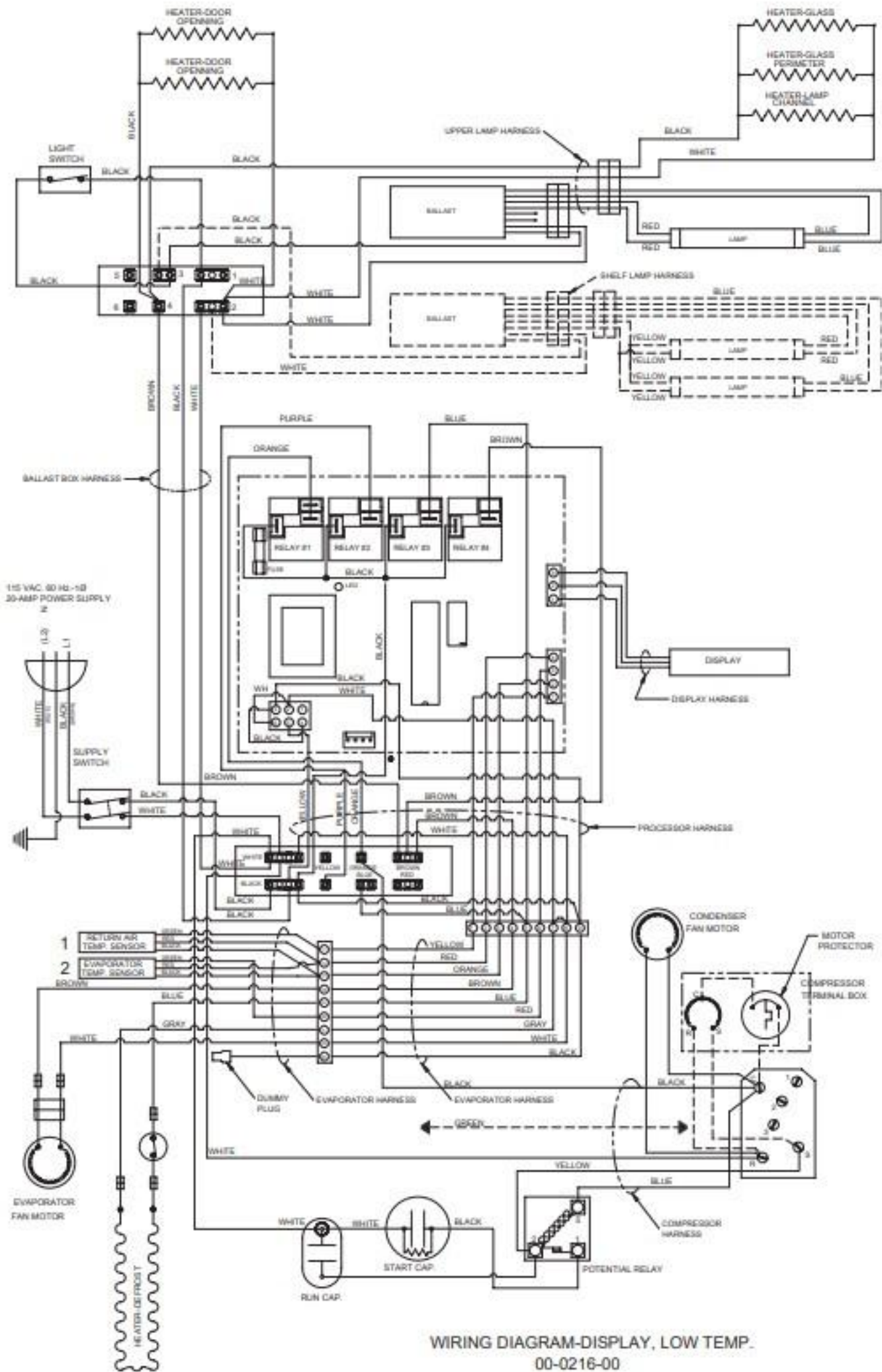
WIRING DIAGRAM, 6-FT OPEN, MED-TEMP.  
00-0226-00





WIRING DIAGRAM-DISPLAY, HI-TEMP.  
 00-0218-00B





WIRING DIAGRAM-DISPLAY, LOW TEMP.  
00-0216-00

