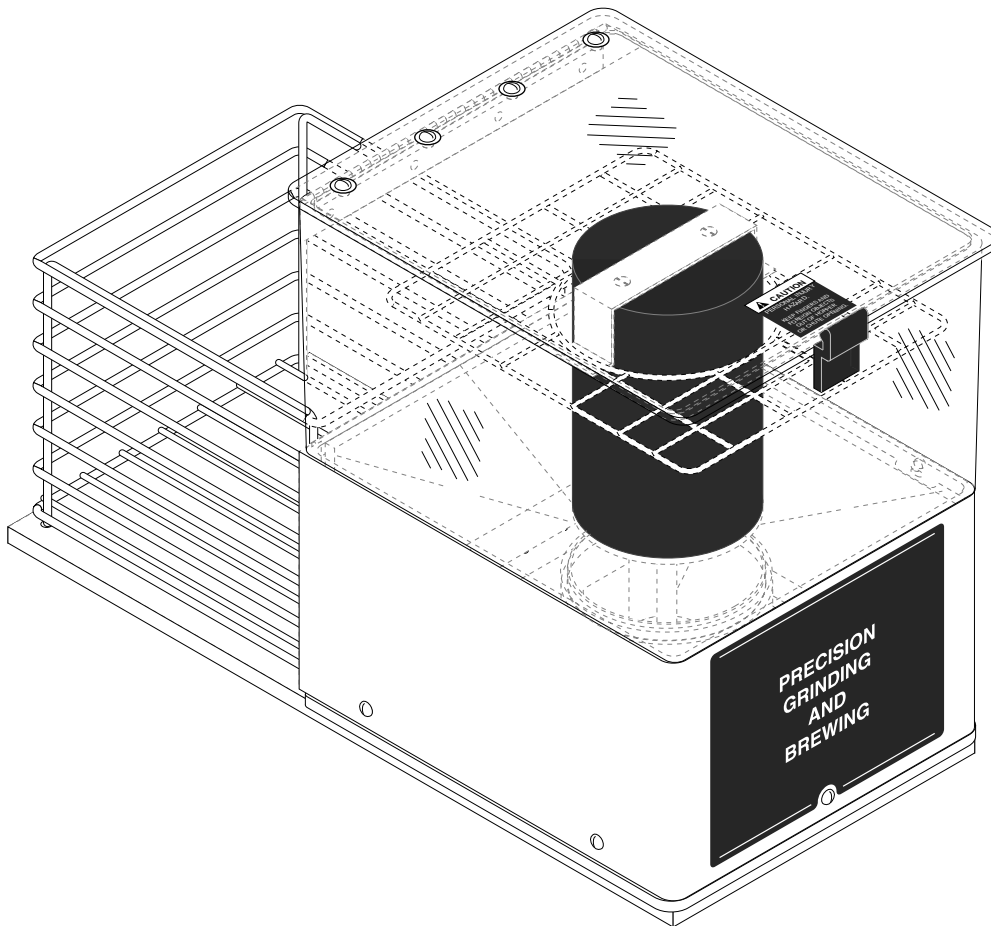


BUNN®

COMBO GRINDER-LPG



ILLUSTRATED PARTS CATALOG

Designs, materials, weights, specifications, and dimensions for equipment or replacement parts are subject to change without notice.

BUNN-O-MATIC CORPORATION

POST OFFICE BOX 3227

SPRINGFIELD, ILLINOIS 62708-3227

PHONE: (217) 529-6601 FAX: (217) 529-6644

WARRANTY

Bunn-O-Matic Corp. ("Bunn") warrants the equipment manufactured by it to be commercially free from defects in material and workmanship existing at the time of manufacture and appearing within one year from the date of installation. In addition:

- 1.) Bunn warrants electronic circuit and/or control boards to be commercially free from defects in material and workmanship for two years from the date of installation.
- 2.) Bunn warrants the compressor on refrigeration equipment to be commercially free from defects in material and workmanship for two years from the date of installation.
- 3.) Bunn warrants that the grinding burrs on coffee grinding equipment will grind coffee to meet original factory screen sieve analysis for three years from date of installation or for 30,000 pounds of coffee, whichever comes first.

This warranty does not apply to any equipment, component or part that was not manufactured by Bunn or that, in Bunn's judgement, has been affected by misuse, neglect, alteration, improper installation or operation, improper maintenance or repair, damage or casualty.

THE FOREGOING WARRANTY IS EXCLUSIVE AND IS IN LIEU OF ANY OTHER WARRANTY, WRITTEN OR ORAL, EXPRESS OR IMPLIED, INCLUDING, BUT NOT LIMITED TO, ANY IMPLIED WARRANTY OF EITHER MERCHANTABILITY OR FITNESS FOR A PARTICULAR PURPOSE. The agents, dealers or employees of Bunn are not authorized to make modifications to this warranty or to make additional warranties that are binding on Bunn. Accordingly, statements by such individuals, whether oral or written, do not constitute warranties and should not be relied upon.

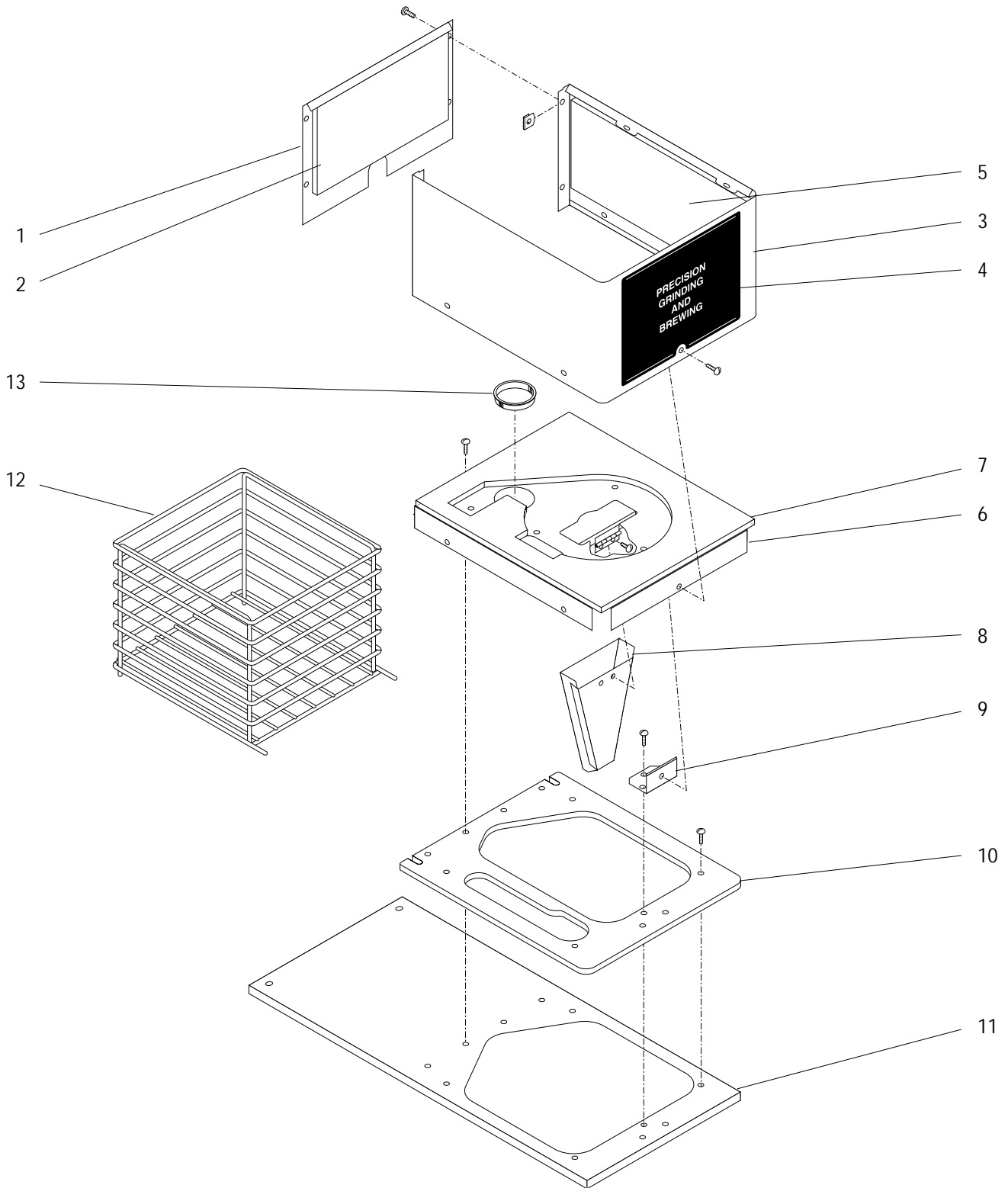
The Buyer shall give Bunn prompt notice of any claim to be made under this warranty by telephone at (217) 529-6601 or by writing to Post Office Box 3227, Springfield, Illinois, 62708-3227. If requested by Bunn, the Buyer shall ship the defective equipment prepaid to an authorized Bunn service location. If Bunn determines, in its sole discretion, that the equipment does not conform to the warranty, Bunn shall repair the equipment with no charge for parts during the warranty period and no charge for labor by a Bunn Authorized Service Representative during the warranty period. If Bunn determines that repair is not feasible, Bunn shall, at its sole option, replace the equipment or refund the purchase price for the equipment.

THE BUYER'S REMEDY AGAINST BUNN FOR THE BREACH OF ANY OBLIGATION ARISING OUT OF THE SALE OF THIS EQUIPMENT, WHETHER DERIVED FROM WARRANTY OR OTHERWISE, SHALL BE LIMITED, AS SPECIFIED HEREIN, TO REPAIR OR, AT BUNN'S SOLE OPTION, REPLACEMENT OR REFUND.

In no event shall Bunn be liable for any other damage or loss, including, but not limited to, lost profits, lost sales, loss of use of equipment, claims of Buyer's customers, cost of capital, cost of down time, cost of substitute equipment, facilities or services, or any other special, incidental or consequential damages.

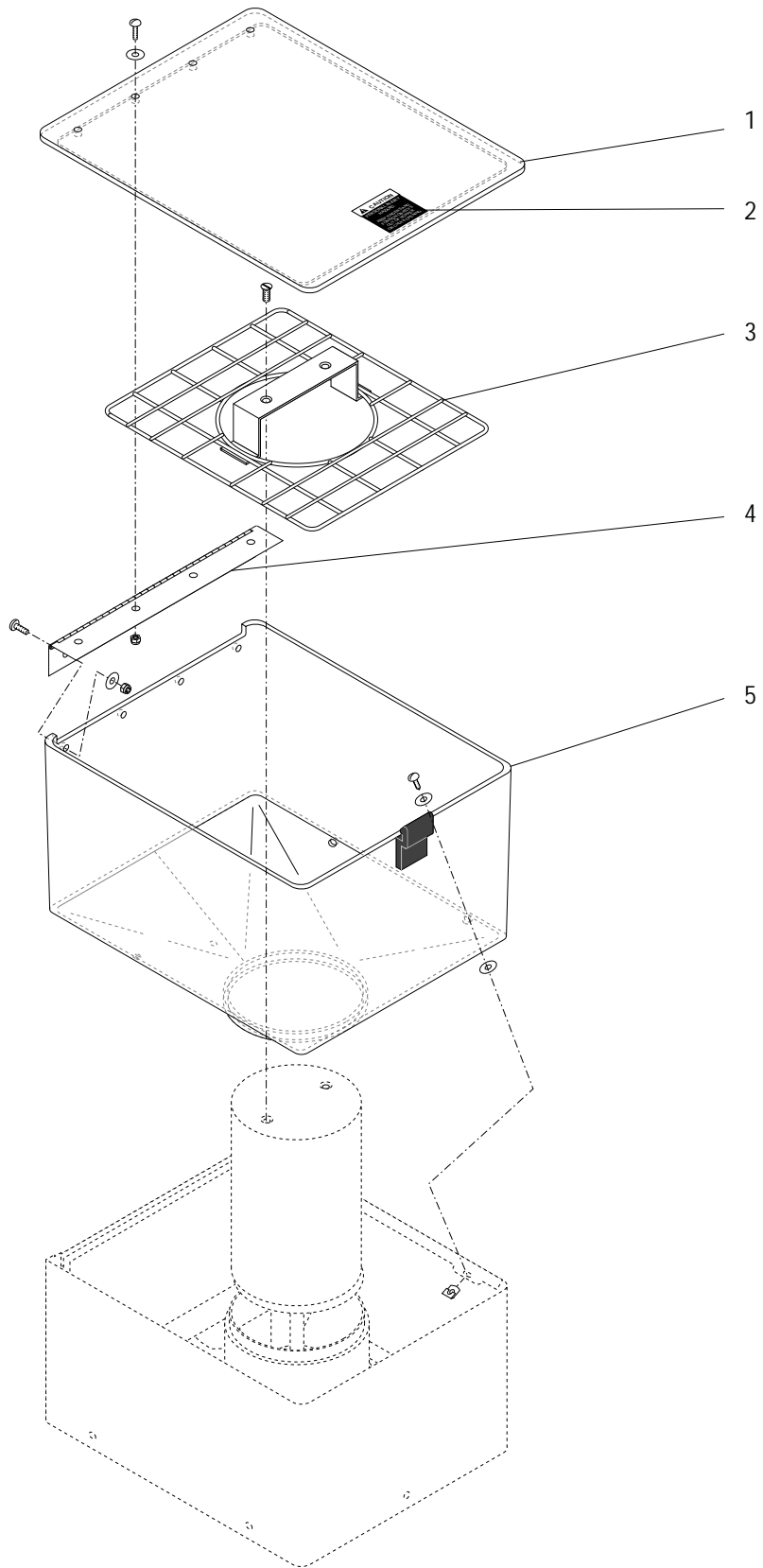
TABLE OF CONTENTS

TITLE	PAGE NO.
Hopper and Lid Assembly.....	6
Housing and Panels	4
Motor, Burr Housing and Components	8
Numerical Index	10



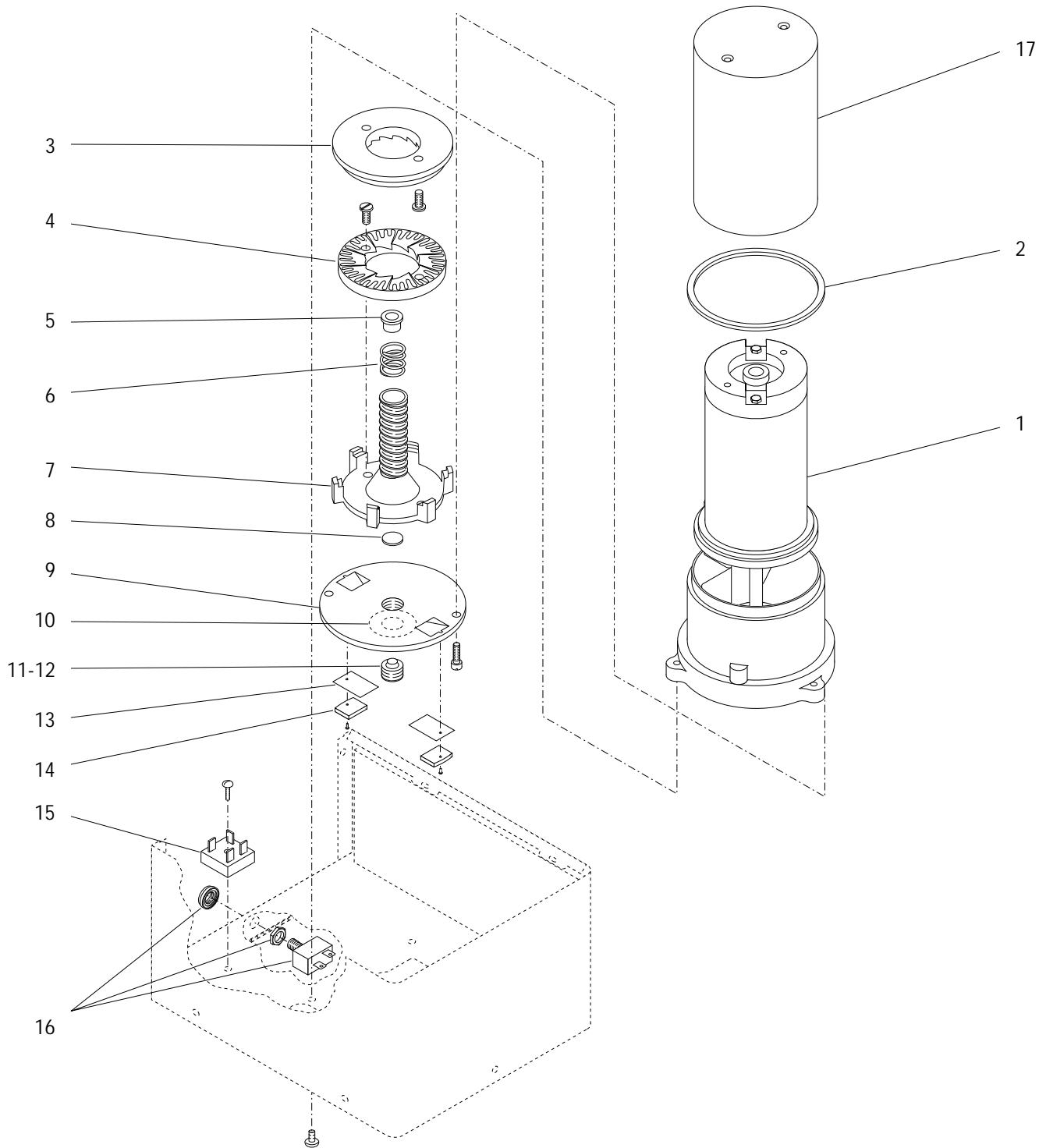
HOUSING AND PANELS

ITEM	PART NO.	QTY.	DESCRIPTION
1	26907.0000	1	Panel W/Insulation, Rear (Includes item 2)
	01311.0000	4	Screw, Truss Head 8 - 32 x .25"
	00917.0000	4	Fastener, "J" Type #8
2	26930.0000	1	Insulation, Rear Panel
3	26931.0000	1	Housing W/Decal, Hopper (Includes item 4 & 5)
	01311.0000	4	Screw, Truss Head 8 - 32 x .25"
	01317.0000	1	Screw, Truss Head 8 - 32 x .50"
4	26079.0001	1	Decal, Precision Grind
5	26928.0000	1	Insulation, Housing
6	26936.0000	1	Support, Motor W/Insulation (Includes item 7)
	01317.0000	4	Screw, Truss Head 8 - 32 x .50"
7	26929.0000	1	Insulation, Motor Support
8	27498.0000	1	Chute, Grinder
	02328.0002	2	Screw, Pan Head 6 - 32 x .188"
9	26905.0000	1	Bracket, Grinder Mounting
	01317.0000	3	Screw, Truss Head 8 - 32 x .50"
10	26895.0000	1	Adapter, Grinder/Brewer
	01317.0000	4	Screw, Truss Head 8 - 32 x .50"
11	26897.0000	1	Cover, Grinder Base
12	26908.0000	1	Basket, Bean Holder
13	01593.0000	1	Bushing, 1.50" Dia. Hole



HOPPER AND LID ASSEMBLY

ITEM	PART NO.	QTY.	DESCRIPTION
-	21233.0001	1	Hopper/Lid Assy (Includes items 1 thru 5)
1	27218.0000	1	Lid W/ Decal, Hopper (Includes item 2)
	02367.0000	4	Screw, Truss Head 6 - 32 x .62"
	21129.0000	4	Washer, Flat .15" I.D. x .50" O.D.
	00991.0002	4	Nut, Lock 6 - 32
2	05876.0000	1	Decal, Caution
3	27101.0000	1	Guard, Hopper
	20609.0001	2	Screw, Flat Head 8 - 32 x .62"
4	05966.0003	1	Hinge, Lid
	01380.0000	4	Screw, Truss Head 6 - 32 x .50"
	21129.0000	4	Washer, Flat .15" I.D. x .50" O.D.
	00991.0002	4	Nut, Lock 6 - 32
5	26946.0000	1	Hopper
	01315.0000	4	Screw, Truss Head 8 - 32 x .3/8"
	01516.0001	8	Washer, Nylon-Retainer #8
	00917.0000	4	Fastener, "J" Type #8



MOTOR, BURR HOUSING AND COMPONENTS

ITEM	PART NO.	QTY.	DESCRIPTION
-	20646.1001	1	Motor & Housing Assy (Includes items 1 thru 14)
	02331.0000	3	Screw, Truss Head 10 - 32 x .38"
1	20665.0000	1	Motor & Burr Housing (Includes items 2)
2	20611.0000	1	Gasket, Motor/Hopper
3	-----	1	Burr, Upper (Order item 18)
	20669.0000	2	Screw, Binding Head 10 - 32 x .29"
4	-----	1	Burr, Lower (Order item 18)
	20669.0000	2	Screw, Binding Head 10 - 32 x .29"
5	20667.0000	1	Bushing, Spring Retainer
6	20666.0000	1	Spring, Burr Rotor
7	20668.0000	1	Rotor
8	20670.0000	1	Disc, Load
9	20673.1000	1	Cap, Burr Housing (Includes item 10)
	20672.0000	2	Screw, Fillister Head 10 - 32 x .62"
10	05880.0002	1	Decal, Grind Indicator
11	20671.1000	1	Screw, Burr Adjusting (Includes item 12)
12	05796.0000	1	Decal, Adjusting Screw
13	20588.0000	2	Spring Plate, Dechaffing
14	20572.0000	2	Support, Dechaffer
	02336.0001	2	Screw, Truss Head 4 - 40 x .31"
15	22126.0000	1	Rectifier
	01331.0003	1	Screw, Round Head 10 - 32 x .75"
16	20987.0000	1	Circuit Breaker, 3 Amp
17	20576.0000	1	Cover, Motor
18	05861.1002	-	Burr Kit (Includes items 3, & 4 and Mounting Screws)
19	26861.0000	1	Wiring Harness, Motor
20	05920.0000	1	Clamp, Harness

} Not illustrated

NUMERICAL INDEX

PART NO.	PAGE NO.	PART NO.	PAGE NO.	PART NO.	PAGE NO.	PART NO.	PAGE NO.
00917.0000	5,7						
00991.0002	7						
01311.0000	5						
01315.0000	7						
01317.0000	5						
01331.0003	9						
01380.0000	7						
01516.0001	7						
01593.0000	5						
02328.0002	5						
02331.0000	9						
02336.0001	9						
02367.0000	7						
05796.0000	9						
05861.1002	9						
05876.0000	7						
05880.0002	9						
05920.0000	9						
05966.0003	7						
20572.0000	9						
20576.0000	9						
20588.0000	9						
20609.0001	7						
20611.0000	9						
20646.1001	9						
20665.0000	9						
20666.0000	9						
20667.0000	9						
20668.0000	9						
20669.0000	9						
20670.0000	9						
20671.1000	9						
20672.0000	9						
20673.1000	9						
20987.0000	9						
21129.0000	7						
21233.0001	7						
22126.0000	9						
26079.0001	5						
26861.0000	9						
26895.0000	5						
26897.0000	5						
26905.0000	5						
26907.0000	5						
26908.0000	5						
26928.0000	5						
26929.0000	5						
26930.0000	5						
26931.0000	5						
26936.0000	5						
26946.0000	7						
27101.0000	7						
27218.0000	7						
27498.0000	5						