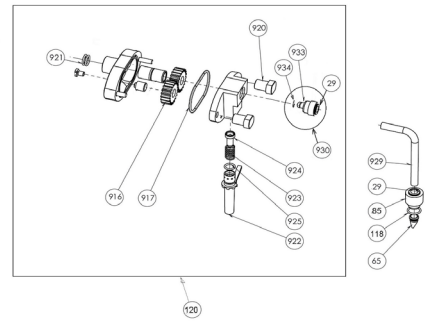
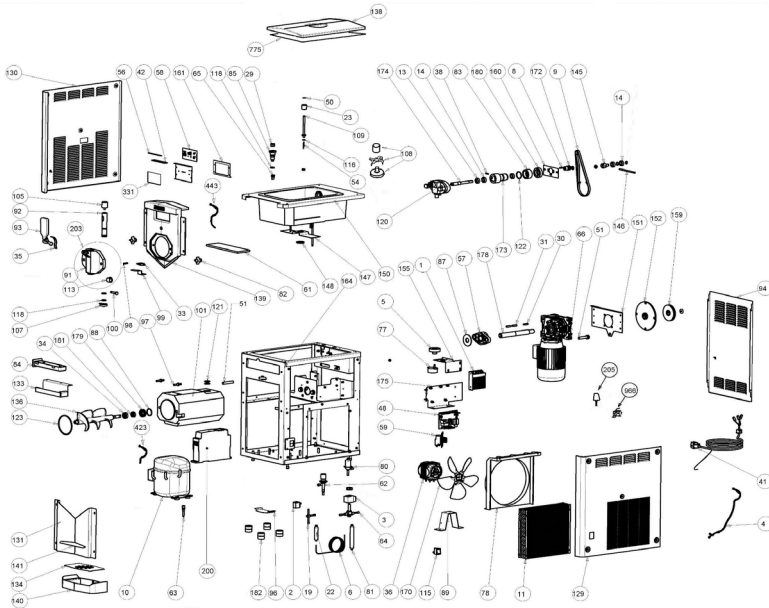


01.CHUK1P/115 - 1208-003



| Position # | Part # | DESCRIPTION |
|------------|---------------|---------------------------------------|
| 0 | 04.HU0066.001 | KARMA LOGO STICKER |
| 0 | 02.IP0125.001 | ETL FOOT |
| 0 | 04.ZZ0597.001 | LUBRICANT TUBE |
| 0 | 03.HU0006.001 | KARMA PALLET |
| 0 | 03.HU0005.001 | U-GO UPPER PROTECTION |
| 0 | 03.HU0004.001 | U-GO FRONTAL PROTECTION |
| 0 | 03.HU0003.001 | U-GO EDGE PROTECTION |
| 0 | 03.HU0002.001 | U-GO PACKAGING |
| 0 | 03.BC0005.001 | PLASTIC BAG |
| 1 | 04.HB0388.001 | LRS-50-24 POWER SUPPLIER |
| 2 | 04.ZZ0177.001 | 115/60 COIL |
| 3 | 04.HU0014/110 | 115/60 CASTEL COIL |
| 4 | 08.HU0013/115 | KARMA 115/60 HARNESS |
| 5 | 02.MD0008.002 | MINI DISPENSER MAGNETIC WHEEL |
| 6 | 04.ZZ0168.001 | CAPILLARY PIPE |
| 8 | ZZ.ZZ0179.001 | 4X4X20 SNAP-FIT FLAP |
| 9 | 04.HU0085.001 | POLY-V JS84 (CP230I4) BELT |
| 10 | 04.IP0391/115 | NEU2168 115/60 COMPRESSOR |
| 11 | 04.BB0104.001 | CONDENSER |
| 13 | 04.HU0031.001 | U-GO SEALING RING |
| 14 | ZZ.ZZ0203.001 | 6001 BEARING |
| 14 | ZZ.ZZ0203.001 | 6001 BEARING |
| 19 | 04.GT1005/110 | 115/60 SOLENOID VALVE |
| 22 | 04.ND0004.001 | FILTER |
| 23 | 04.HU0019.001 | FLOAT |
| 29 | 04.HU0068.001 | J.G. P128165 C PIPE RECEIVER |
| 30 | ZZ.ZZ0505.001 | SHAFT KEY 6X6X28 |
| 31 | ZZ.ZZ0504.001 | SHAFT KEY 8X7X28 |
| 33 | 04.KE0007.001 | ETL SAFETY MICRO SWITCH |
| 34 | 04.HU0083.001 | KARMA ROTATORY SEAL |
| 35 | 02.KE0061.001 | KARMA/KSOFT HANDLE SPRING TH.2 |
| 36 | 04.BB0016/110 | 82UL-3016 FAN MOTOR |
| 38 | 02.HU0104.001 | PUMP SUPPORT PIN |
| 41 | 05.BB0005.002 | 20 AMP PLUG CABLE |
| 42 | 02.HU0151.001 | LED PROTECTION |
| 48 | 02.HU0149.001 | KARMA/KSOFT ELECTRONIC BOARD |
| 50 | ZZ.RD0054.001 | FLAT STAINLESS STEEL SEEGER |
| 51 | 04.HU0008.002 | IME WIRED INDUCTIVE SENSOR 4MM/M12 |
| 54 | 04.HU0020.002 | KARMA D.4MM CYLINDRIC WIRED REED |
| 56 | 02.HU0150.001 | KARMA LED KIT |
| 57 | 04.HU0005.001 | UCFL 20S SUPPORT |
| 58 | 02.HU0136.002 | KARMA CONTROL PANEL |
| 59 | 04.BA0031.001 | KSO THERMOSTAT |
| 61 | 02.HU0155.001 | UPPER PLATE FRONT SEAL |
| 62 | 04.HU0001.001 | PARKER VALVE |
| 63 | 04.ZZ0047.001 | REFILL VALVE |
| 64 | 04.HU0013.001 | CASTEL VALVE ART. 1028/2E AT. 1/4 ODS |
| 65 | 04.HU0069.001 | PUMP OUTLET PIPE RED ONE WAY VALVE |
| 66 | 04.HU0060.001 | KARMA GEAR MOTOR 115/60 |
| 77 | 08.CC0002/110 | CROUZET MOTOR 115/60 |
| 78 | 02.IP0119.001 | CONVEYOR |
| 80 | 04.HU0002.001 | PARKER EPR139 040915-006 EVAPORATOR |
| 81 | 04.ZZ0307.001 | FILTER |
| 82 | 02.HU0154.002 | FLANGE FIXING KNOB |
| 83 | 02.HU0074.001 | U-GO PUMP SUPPORT RING |
| 84 | 02.HU0100.001 | DRIP DRAWER |
| 85 | 02.HU0152.001 | KARMA AND KSOFT PUMP PIPE LOWER |
| 87 | 04.HU0048.001 | KARMA SHAFT SEAL |
| 88 | 04.BA0030.001 | 30X3 O-RING |
| 89 | 02.HU0121.001 | KARMA FAN MOTOR SUPPORT |
| 91 | 02.HU0014.001 | KARMA FRONTAL FLANGE |
| 92 | 02.HU0016.001 | KARMA TAP SHAFT |
| 93 | 02.HU0110.001 | KARMA TAP LEVER |
| 94 | 02.HU0030.002 | KARMA WHITE BACK PANEL |
| 96 | 02.HU0021.001 | DRIP TRAY SUPPORT |
| 97 | 02.KE0012.001 | FRONT FLANGE FIXING BOLT |
| 98 | 02.HU0015.001 | SAFETY MICROSWITCH PIN |

| | | |
|-----|---------------|----------------------------------|
| 99 | 02.HU0029.001 | KARMA MICROSWITCH BRACKET |
| 100 | 02.HU0056.001 | KARMA TAP LEVER PIN |
| 101 | 02.HU0170.002 | KARMA COMPLETE CYLINDER |
| 105 | 02.HU0017.001 | PISTON TAP EXTENSION |
| 107 | 02.HU0057.001 | STAR-SHAPED SPOUT |
| 108 | 05.HU0018.002 | UPPER TANK ETL COMPLETE MIXER |
| 109 | 02.HU0069.001 | LEVER INDICATOR SHAFT |
| 113 | 02.HU0169.001 | PLASTIC AUGER ADJUSTING BUSHING |
| 115 | 04.BB0061.001 | BLACK MAIN SWITCH |
| 116 | 04.HU0011.001 | 7,66X1,78 NBR70 O-RING |
| 118 | 04.BA0026.TPS | 15,47X3,53 SILICONE O-RING |
| 120 | 04.HU0086.001 | KARMA AND KSOFT COMPLETE PUMP |
| 121 | 04.HU0081.001 | 22X3 O-RING |
| 122 | 04.HC0018.001 | O-RING 29,82 X 2,62 |
| 123 | 04.HU0009.001 | 101,19X3,53 NBR70 (4400) O-RING |
| 129 | 02.HU0131.002 | KARMA RIGHT WHITE SIDE |
| 130 | 02.HU0132.002 | KARMA LEFT WHITE PANEL |
| 131 | 02.HU0140.001 | KARMA STAINLESS STEEL PANEL |
| 133 | 02.HU0139.001 | DRIP DRAWER SUPPORT |
| 134 | 02.HU0134.001 | DRIP TRAY GRILL |
| 136 | 02.HU0183.002 | KARMA PLASTIC AUGER |
| 138 | 02.HU0192.001 | KARMA ETL LID |
| 139 | 02.HU0137.001 | KARMA PLASTIC BLACK FRONT PANEL |
| 140 | 02.HU0133.001 | KARMA BLACK DRIP TRAY |
| 141 | 02.HU0147.001 | FRONT PANEL DRIP COLLECTOR |
| 145 | 02.HU0186.001 | BELT PULLING BODY |
| 146 | 04.ZZ0530.001 | THREADED ROD |
| 147 | 02.HU0158.001 | KARMA P UPPER TANK STIFFENER |
| 148 | 02.HU0157.001 | REINFORCEMENT RING |
| 150 | 02.HU0175.002 | KARMA P COMPLETE UPPER TANK |
| 151 | 02.HU0126.001 | KARMA GEAR MOTOR SUPPORT BRACKET |
| 152 | 02.HU0181.001 | KARMA P SENSORS WHEEL |
| 155 | 02.KE0060.001 | KSOFT TY2-49 MOTOR SUPPORT |
| 159 | 02.HU0179.001 | D87 KARMA P PULLEY |
| 160 | 02.HU0178.001 | KARMA P FLANGE |
| 161 | 02.HU0160.001 | CONTROL PANEL FRAME |
| 164 | 02.HU0161.002 | KARMA NB FRAME |
| 170 | 04.BC0004.001 | 254-25 FAN |
| 172 | 02.HU0177.001 | KARMA NB PUMP SHAFT PULLEY |
| 173 | 02.HU0184.001 | KARMA NB PUMP SUPPORT |
| 174 | 02.HU0176.002 | KARMA NB PUMP SHAFT |
| 175 | 02.HU0187.001 | KARMA BOARD SUPPORT |
| 178 | 02.HU0180.001 | KARMA NB MAIN SHAFT |
| 179 | 02.HU0188.001 | GASKET REDUCTION BUSHING |
| 180 | 02.HU0185.001 | KARMA NB PUMP FIXING RING |
| 181 | 04.HU0084.001 | KARMA STATIONARY SEAL |
| 182 | 02.BB0097.001 | FOOT |
| 200 | 04.ZZ0602/115 | VIOLET INVERTER ETL |
| 205 | 04.EC0016.001 | FUSE PLUG |
| 331 | 04.HU0064.002 | KARMA CONTROL PANEL STICKER |
| 423 | 02.HU0066.001 | KARMA PT1000 2WIRES W=1000MM |
| 443 | 08.HU0014/115 | KARMA CONTROL PANEL 115/60 |
| 775 | 02.HU0195.001 | KARMA LID ETL STAINLESS STEEL |
| 916 | 04.HU0079.001 | PUMP GEARS PAIR |
| 917 | 04.SF0004.001 | PUMP SHELL O-RING |
| 920 | 02.SF0025.001 | PUMP KNOB |
| 921 | 02.SF0227.001 | PUMP SHAFT O-RING |
| 922 | 05.HU0015.002 | PUMP SUCTION PIPE |
| 923 | 02.SF0039.001 | PUMP OVER PRESSURE VALVE SPRING |
| 924 | 02.SF0030.001 | PUMP OVER PRESSURE VALVE |
| 925 | 04.SF0006.001 | PUMP SUCTION PIPE O-RING |
| 929 | 04.ZZ0603.001 | 12,5X8 PUMP PIPE |
| 930 | 05.SF0004.002 | PUMP CONNECTOR ASSEMBLY |
| 933 | 04.SF0071.001 | PUMP CONNECTOR |
| 934 | 04.SF0009.001 | PUMP CONNECTOR O-RING |
| 966 | 04.BC0050.001 | CUT-OUT PRESSURE SWITCH |