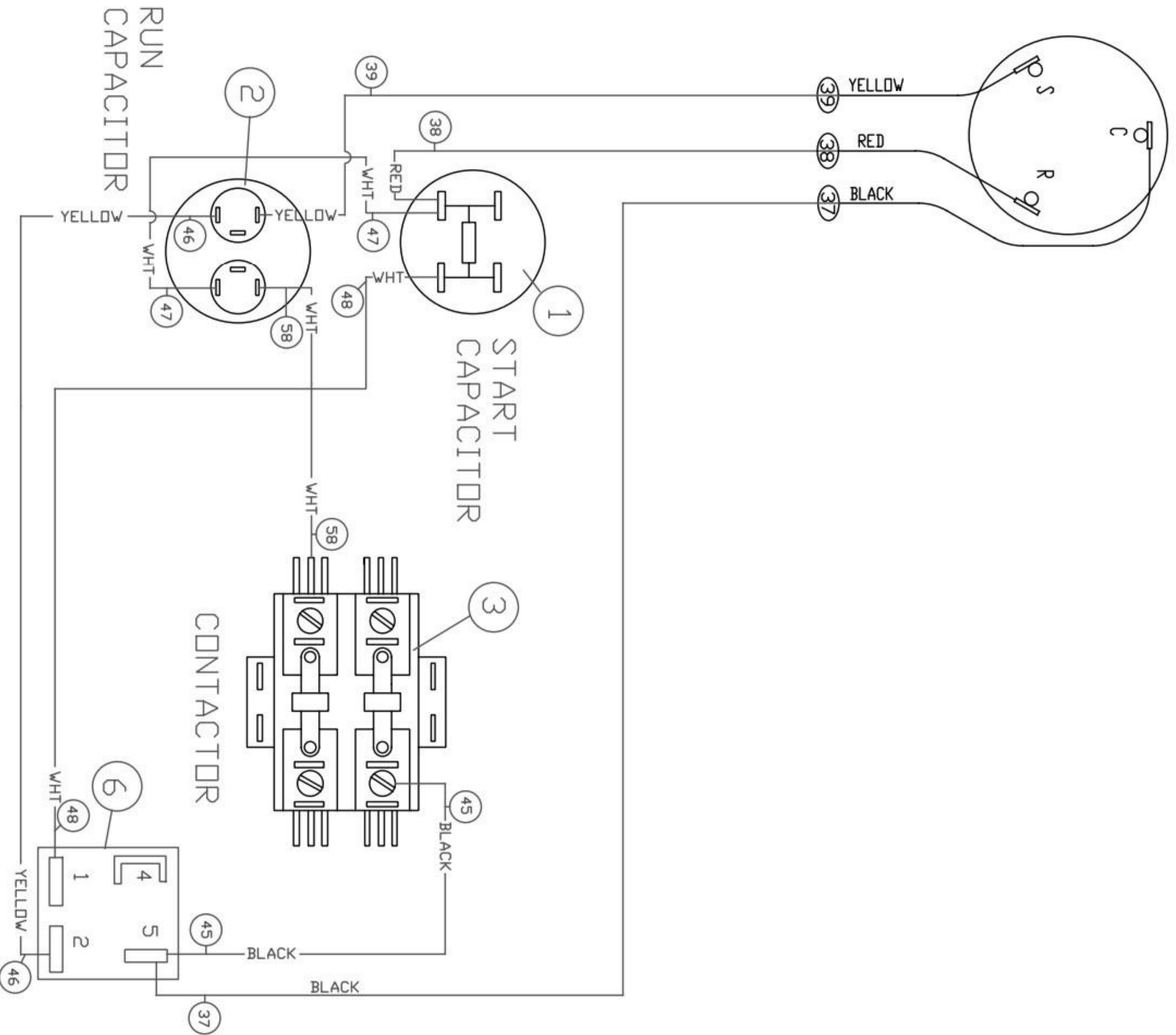
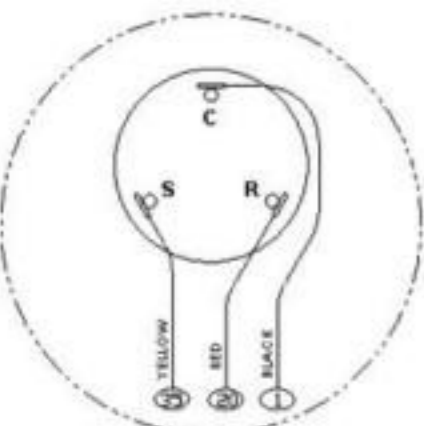


Item	Part Number	Description	Qty
1	W0570610	Capacitor,Run,5711	1
2	341-00008	Start Capacitor,5711	1
3	346-00074	Relay, Compressor, 5711	1
4	W0570655	Contactora, 24V Coil	1

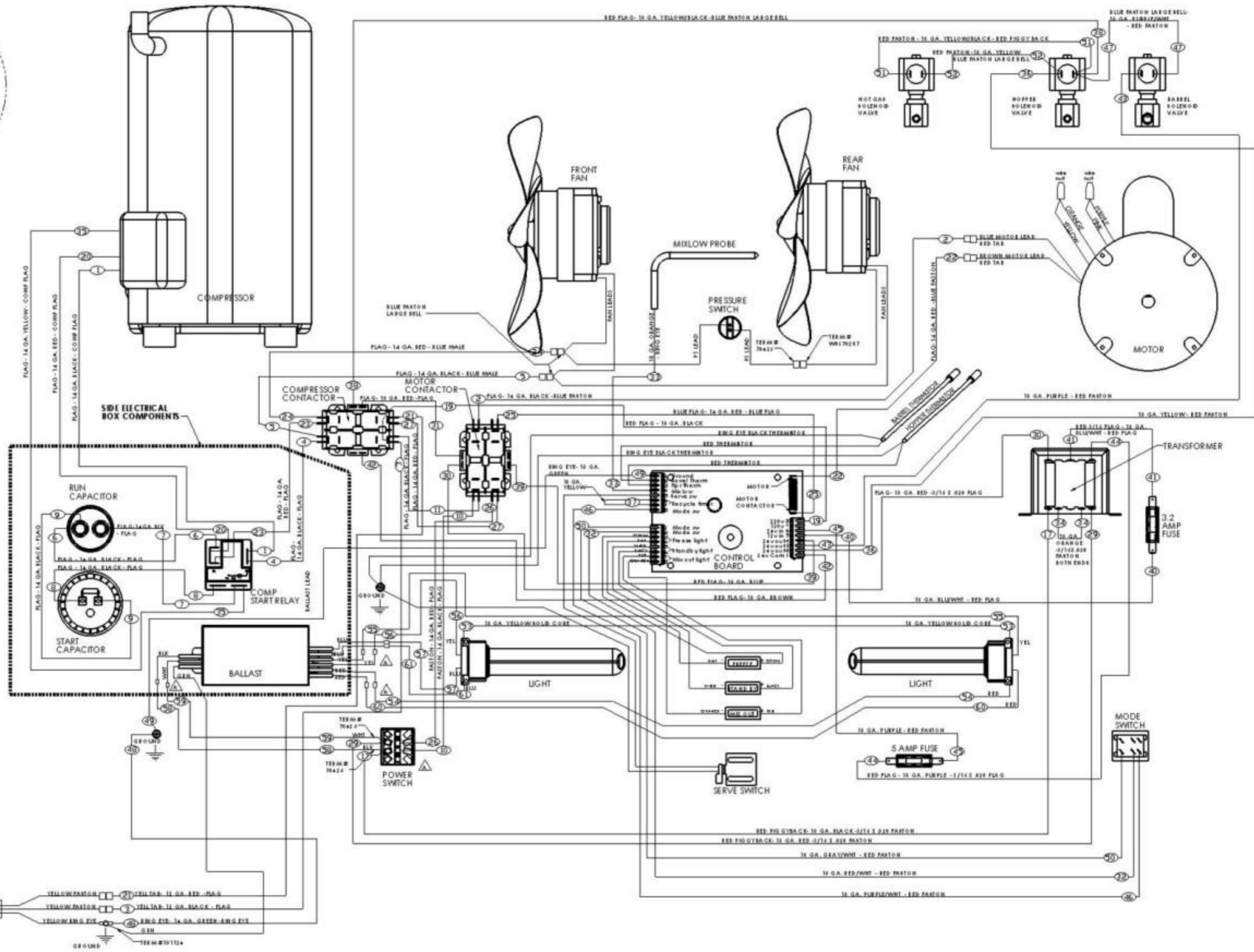


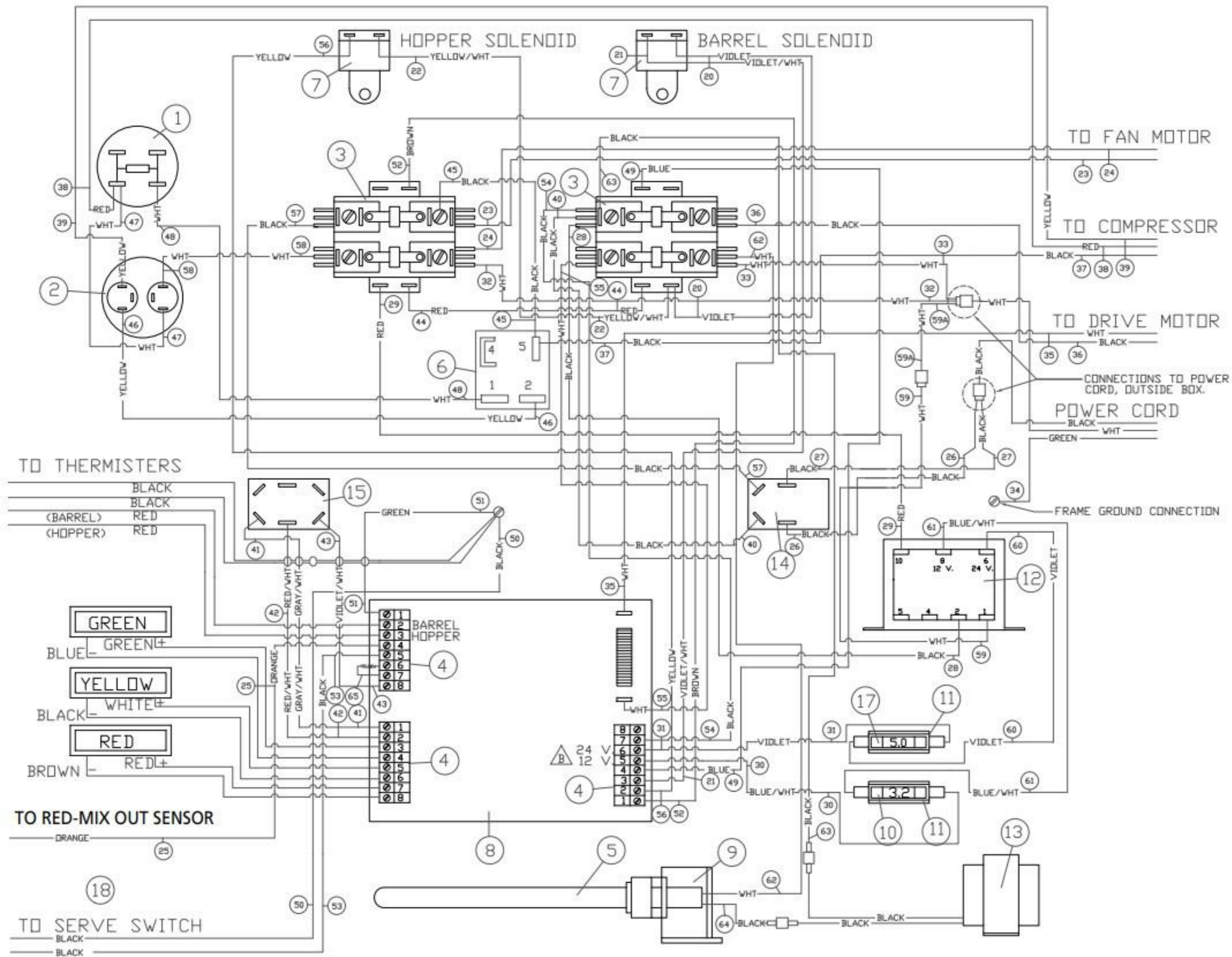
Item	Part Number	Description	Qty
1	W0570603	Capacitor, Start	1
2	W0570617	Capacitor, Run	1
3	W0570655	Contactora, 24V Coil	1
6	W0570638	Relay, Compressor	1

COMP START
RELAY

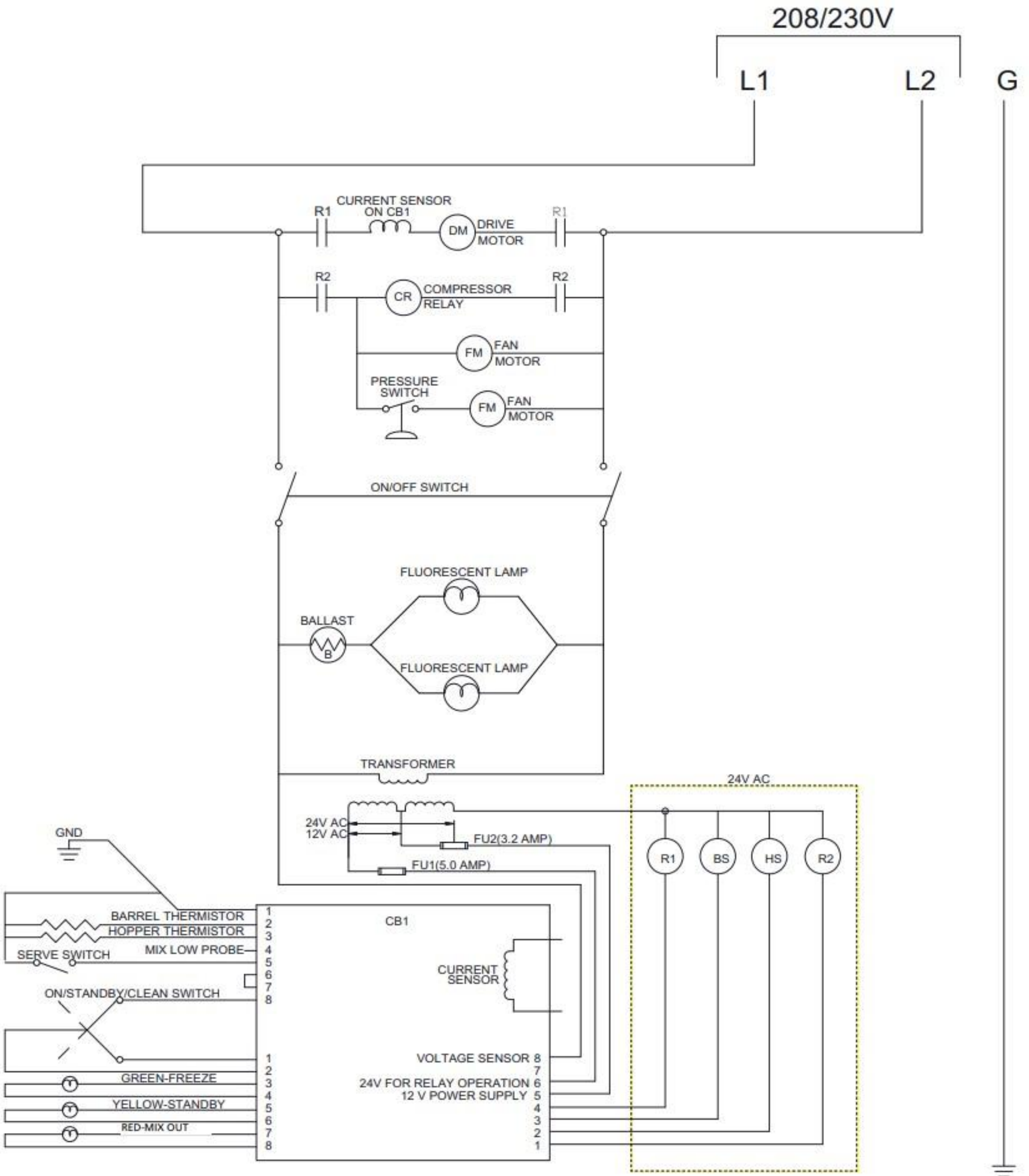


COMPRESSOR ELECTRICAL HOOKUP





Item	Qty.	Part Number	Description	Item	Qty.	Part Number	Description
1	1	W0570603	Start Capacitor	11	2	W1570616	Fuse Holder
2	1	W0570604	Run Capacitor	12	1	W0570659	Transformer
3	2	W0570655	Contactor	13	1	W0570045	Ballast
4	3	W0570213	8 Pin Terminal Strip	14	1	W0570934	On/Off Switch
5	1	W0570043	Bulb	15	1	W1570901	Stand-By Switch
6	1	W0570638	Compressor Relay	16	1	W1572121	Harness, 6 Wire Cable
7	2	W1650004	Solenoid Coil	17	1	W0570842	Fuse 5 Amp
8	1	250-00360	Circuit Board	18	1	W0570935	Switch (Serve)
9	1	W0570044	Light Socket	19	1	W0572704	Bracket Serve Switch
10	1	W0570823	3.2 Amp Fuse				

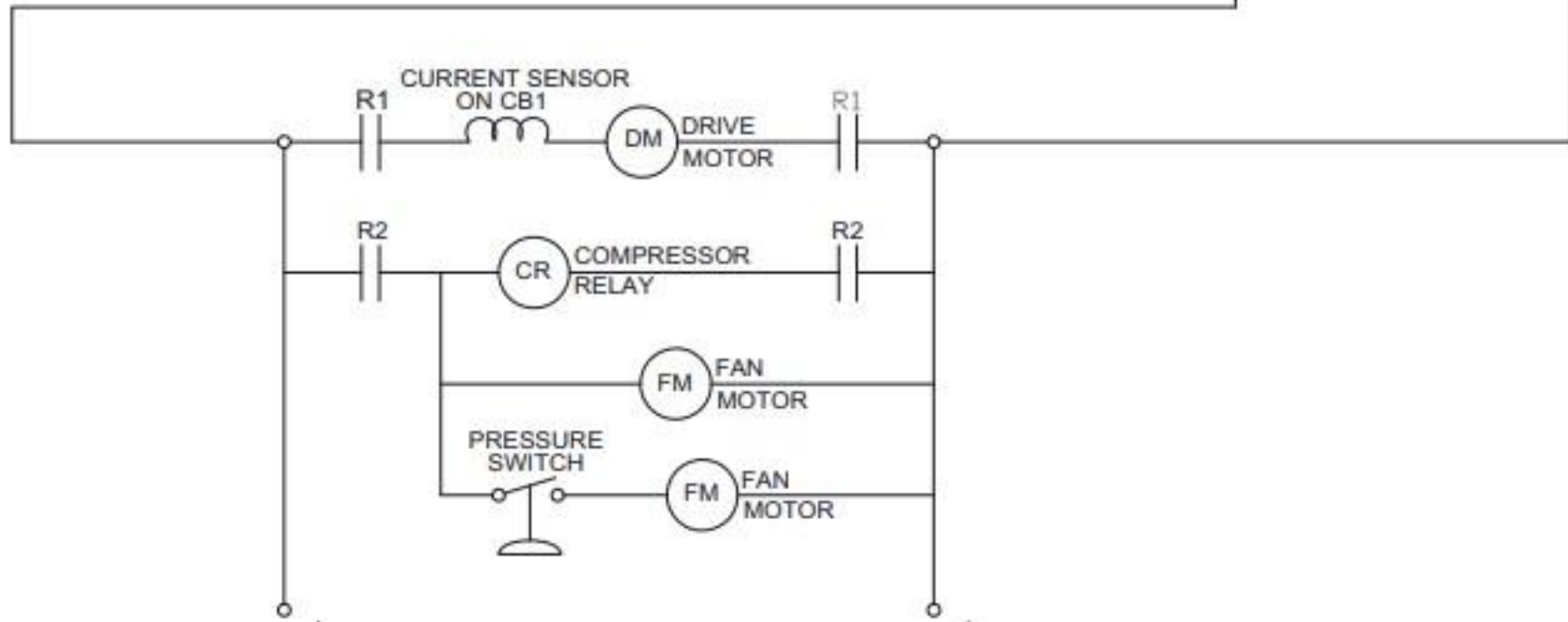


208/230V

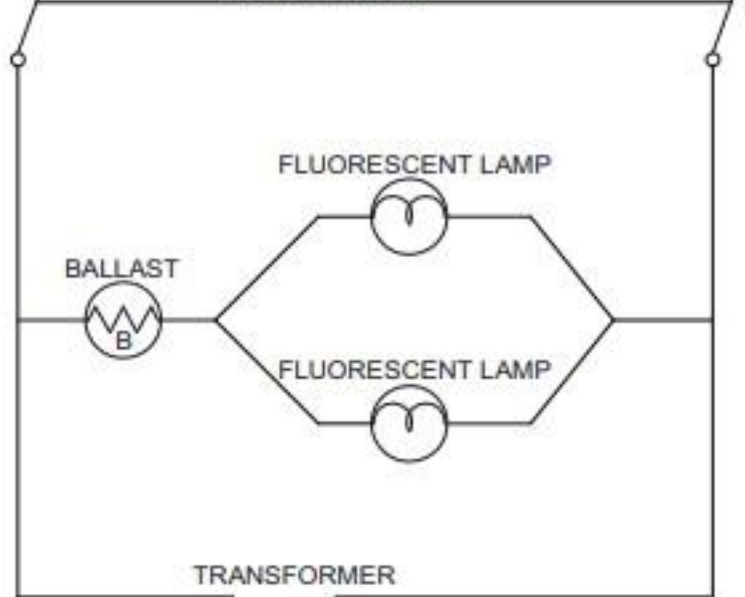
L1

L2

G

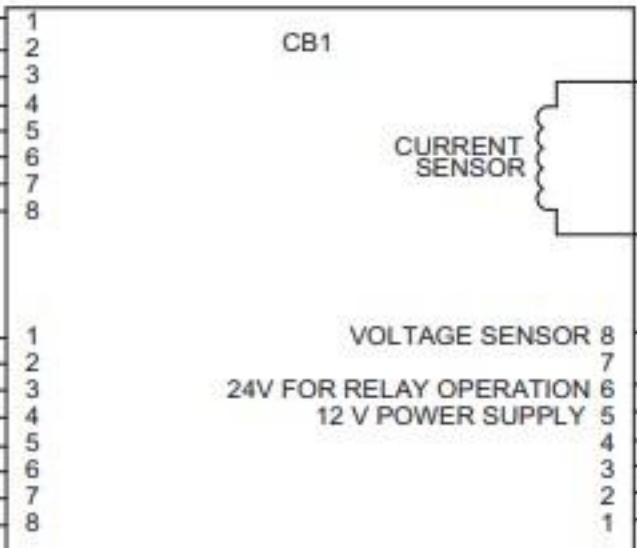
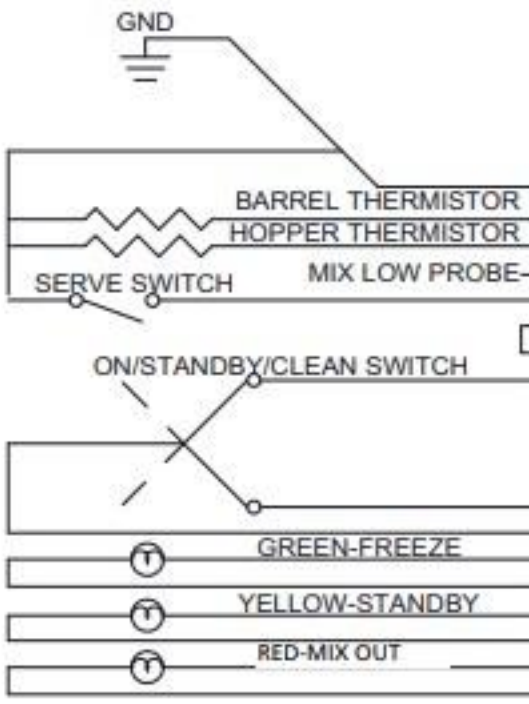
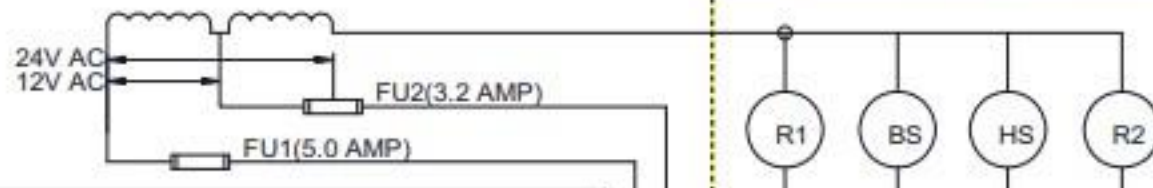


ON/OFF SWITCH



TRANSFORMER

24V AC



VOLTAGE SENSOR 8
7
6
5
4
3
2
1

GND